

STANLEY®

PG10 HYDRAULIC PROFILE GRINDER



USER MANUAL Safety, Operation and Maintenance



© 2014 Stanley Black & Decker, Inc.
New Britain, CT 06053
U.S.A.
65846 2/2015 Ver. 6

DECLARATION OF CONFORMITY

DECLARATION OF CONFORMITY
ÜBEREINSTIMMUNGS-ERKLÄRUNG
DECLARATION DE CONFORMITE CEE
DECLARACION DE CONFORMIDAD
DICHIARAZIONE DI CONFORMITA

STANLEY
Hydraulic Tools
CE

I, the undersigned:
Ich, der Unterzeichnende:
Je soussigné:
El abajo firmante:
Io sottoscritto:

Weisbeck, Andy

Surname and First names/Familiennamen und Vornamen/Nom et prénom/Nombre y apellido/Cognome e nome

hereby declare that the equipment specified hereunder:
bestätige hiermit, daß erklaren Produkt genannten Werk oder Gerät:
déclare que l'équipement visé ci-dessous:
Por la presente declaro que el equipo se especifica a continuación:
Dichiaro che le apparecchiature specificate di seguito:

- Category: **Grinder, Hydraulic**
Kategorie:
Catégorie:
Categoria:
Categoria:
- Make/Marke/Marque/Marca/Marca **Stanley**
- Type/Typ/Type/Tipo/Tipo: **PG1011001, PG1011001A**
- Serial number of equipment:
Seriennummer des Geräts:
Numéro de série de l'équipement:
Numero de serie del equipo:
Matricola dell'attrezzatura:
All

Has been manufactured in conformity with
Wurde hergestellt in Übereinstimmung mit
Est fabriqué conformément
Ha sido fabricado de acuerdo con
E' stata costruita in conformità con

Directive/Standards Richtlinie/Standards Directives/Normes Directriz/Los Normas Direttiva/Norme	No. Nr Numéro No n.	Approved body Prüfung durch Organisme agréé Aprobado Collaudato
EN	11148-7:2011	Self
EN ISO	3744:2010	Self
EN	28927-1:2009	Self
Machinery Directive	2006/42/EC:2006	Self

- Special Provisions: **None**
Spezielle Bestimmungen:
Dispositions particulières:
Provisiones especiales:
Disposizioni speciali:
- Representative in the Union: **Patrick Vervier, Stanley Dubuis 17-19, rue Jules Berthonneau-BP 3406 41034 Blois Cedex, France.**
Vertreter in der Union/Représentant dans l'union/Representante en la Union/Rappresentante presso l'Unione

Done at/Ort/Fait à/Dado en/Fatto a Stanley Hydraulic Tools, Milwaukie, Oregon USA Date/Datum/le/Fecha/Data 1-6-11

Signature/Unterschrift/Signature/Firma/Firma

Andy Weisbeck

Position/Position/Fonction/Cargo/Posizione Director of Product Development

TABLE OF CONTENTS

DECLARATION OF CONFORMITY	2
SAFETY SYMBOLS	4
SAFETY PRECAUTIONS.....	5
TOOL STICKERS & TAGS	6
HOSE TYPES.....	7
HOSE RECOMMENDATIONS	8
FIGURE 1. TYPICAL HOSE CONNECTIONS	8
HTMA REQUIREMENTS.....	9
OPERATION.....	10
PREVENTATIVE MAINTENANCE	12
TOOL PROTECTION & CARE	13
TROUBLESHOOTING	14
SPECIFICATIONS.....	15
ACCESSORIES.....	15
PG10 PARTS ILLUSTRATION	16
PG10 PARTS LIST	18
SPARK GUARD KIT	20

IMPORTANT

To fill out a Product Warranty Validation form, and for information on your warranty, visit Stanleyhydraulics.com and select the Company tab, Warranty.
(NOTE: The warranty Validation record must be submitted to validate the warranty).

SERVICING: This manual contains safety, operation, and routine maintenance instructions. Stanley Hydraulic Tools recommends that servicing of hydraulic tools, other than routine maintenance, must be performed by an authorized and certified dealer. Please read the following warning.

⚠ WARNING

SERIOUS INJURY OR DEATH COULD RESULT FROM THE IMPROPER REPAIR OR SERVICE OF THIS TOOL.

REPAIRS AND / OR SERVICE TO THIS TOOL MUST ONLY BE DONE BY AN AUTHORIZED AND CERTIFIED DEALER.

For the nearest authorized and certified dealer, call Stanley Hydraulic Tools at the number listed on the back of this manual and ask for a Customer Service Representative.

SAFETY PRECAUTIONS

Tool operators and maintenance personnel must always comply with the safety precautions given in this manual and on the stickers and tags attached to the tool and hose.

These safety precautions are given for your safety. Review them carefully before operating the tool and before performing general maintenance or repairs.

Supervising personnel should develop additional precautions relating to the specific work area and local safety regulations. If so, place the added precautions in the space provided in this manual.

The model PG10 Hydraulic Profile Grinder will provide safe and dependable service if operated in accordance with the instructions given in this manual. Read and understand this manual and any stickers and tags attached to the grinder and hose before operation. Failure to do so could result in personal injury or equipment damage.



- Do not operate the tool with the wheel guard removed.
 - Do not operate a damaged, improperly adjusted, or incompletely assembled grinder.
 - Never wear loose clothing that can get entangled in the working parts of the tool.
 - Keep all parts of your body away from the rotating wheel. Long hair or loose clothing can become drawn into rotating components.
 - Keep the wheel off all surfaces when starting the grinder.
 - Do not use a wheel that is cracked, chipped or otherwise damaged. Always inspect wheels for possible damage before installation or use.
 - Always use wheels that conform to the specifications given in the OPERATION section of this manual.
 - Do not reverse grinding wheel rotation direction by changing fluid flow direction.
 - Do not move the tool until the wheel has stopped rotating. Release the trigger if the power supply has been interrupted.
- The operator must start in a work area without bystanders. Flying debris can cause serious injury.
 - Do not operate the tool unless thoroughly trained or under the supervision of an instructor. Establish a training program for all operators to ensure safe operation.
 - Always wear safety equipment such as goggles, ear and head protection, and safety shoes at all times when operating the tool. Use gloves and aprons when necessary.
 - The operator must be familiar with all prohibited work areas such as excessive slopes and dangerous terrain conditions.
 - Maintain proper footing and balance at all times.
 - Do not inspect, clean or replace the grinding wheel while the hydraulic power source is connected. Accidental engagement of the tool can cause serious injury.
 - Always connect hoses to the tool hose couplers before energizing the hydraulic power source. Be sure all hose connections are tight and are in good condition.
 - Do not operate the tool at oil temperatures above 140 °F/60 °C. Operation at higher temperatures can cause higher than normal temperatures at the tool which can result in operator discomfort.

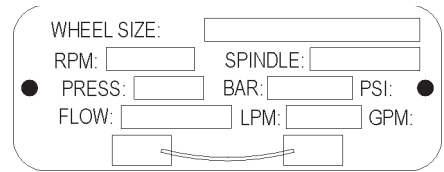
TOOL STICKERS & TAGS



25357
CAUTION DECAL



03787
GPM DECAL (US)



28811
INFORMATION PLAQUE (CE)



28409
COMPOSITE DECAL (CE)



51296
SOUND POWER LEVEL
DECAL



11207
CIRCUIT TYPE D
STICKER



25610
RAILROAD HELP DESK DECAL

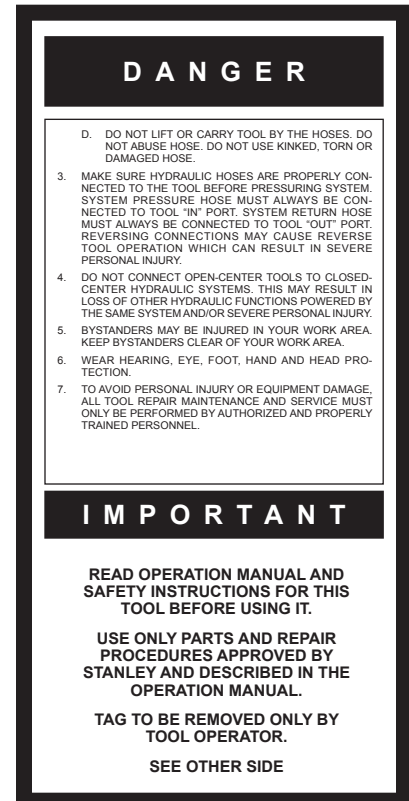
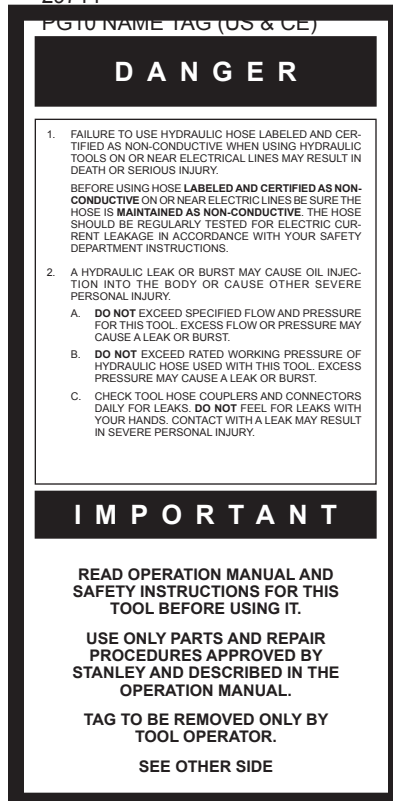


28322
CE DECAL

NOTE:
THE INFORMATION LISTED ON THE STICKERS SHOWN, MUST BE LEGIBLE AT ALL TIMES.
REPLACE DECALS IF THEY BECOME WORN OR DAMAGED. REPLACEMENTS ARE AVAILABLE FROM YOUR LOCAL STANLEY DISTRIBUTOR.

The safety tag (P/N 15875) at right is attached to the tool when shipped from the factory. Read and understand the safety instructions listed on this tag before removal. We suggest you retain this tag and attach it to the tool when not in use.

29714



SAFETY TAG P/N 15875 (Shown smaller than actual size)

HOSE TYPES

The rated working pressure of the hydraulic hose must be equal to or higher than the relief valve setting on the hydraulic system. There are three types of hydraulic hose that meet this requirement and are authorized for use with Stanley Hydraulic Tools. They are:

Certified non-conductive — constructed of thermoplastic or synthetic rubber inner tube, synthetic fiber braid reinforcement, and weather resistant thermoplastic or synthetic rubber cover. *Hose labeled **certified non-conductive** is the only hose authorized for use near electrical conductors.*

Wire-braided (conductive) — constructed of synthetic rubber inner tube, single or double wire braid reinforcement, and weather resistant synthetic rubber cover. *This hose is **conductive** and must never be used near electrical conductors.*

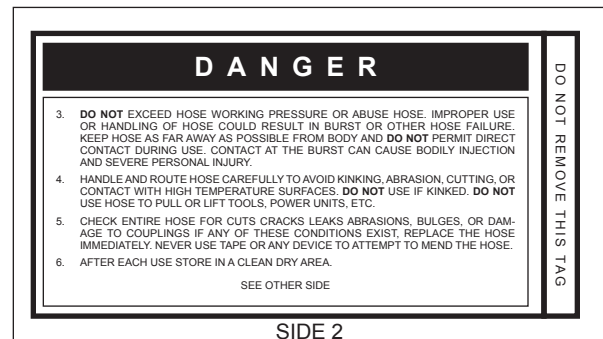
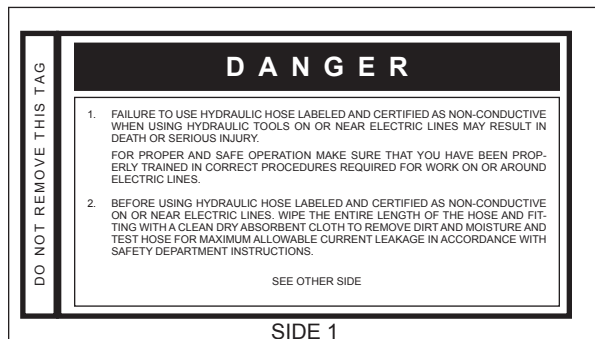
Fabric-braided (not certified or labeled non-conductive) — constructed of thermoplastic or synthetic rubber inner tube, synthetic fiber braid reinforcement, and weather resistant thermoplastic or synthetic rubber cover. *This hose is **not certified non-conductive** and must never be used near electrical conductors.*

HOSE SAFETY TAGS

To help ensure your safety, the following DANGER tags are attached to all hose purchased from Stanley Hydraulic Tools. DO NOT REMOVE THESE TAGS.

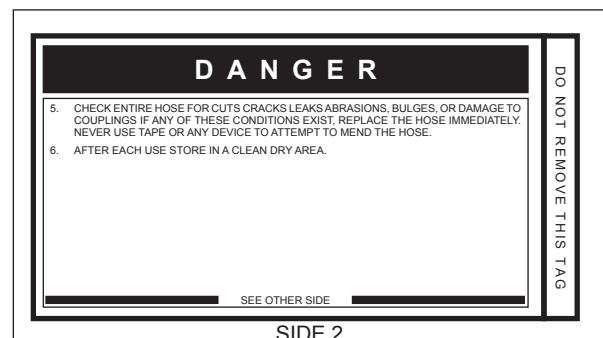
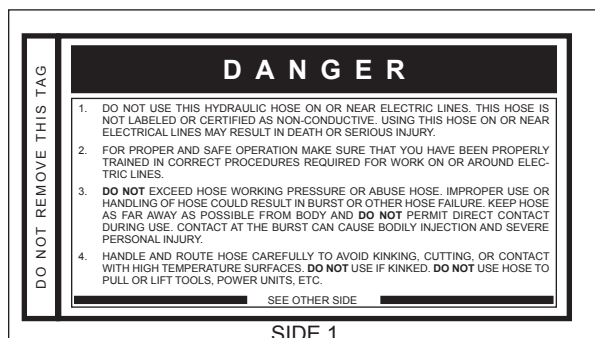
If the information on a tag is illegible because of wear or damage, replace the tag immediately. A new tag may be obtained from your Stanley Distributor.

THE TAG SHOWN BELOW IS ATTACHED TO “CERTIFIED NON-CONDUCTIVE” HOSE



(Shown smaller than actual size)

THE TAG SHOWN BELOW IS ATTACHED TO “CONDUCTIVE” HOSE.



(Shown smaller than actual size)

HOSE RECOMMENDATIONS

Tool to Hydraulic Circuit Hose Recommendations

The chart to the right shows recommended minimum hose diameters for various hose lengths based on gallons per minute (gpm)/liters per minute (lpm). These recommendations are intended to keep return line pressure (back pressure) to a minimum acceptable level to ensure maximum tool performance.

This chart is intended to be used for hydraulic tool applications only based on Stanley Hydraulic Tools tool operating requirements and should not be used for any other applications.

All hydraulic hose must have at least a rated minimum working pressure equal to the maximum hydraulic system relief valve setting.

All hydraulic hose must meet or exceed specifications as set forth by SAE J517.

Oil Flow		Hose Lengths		Inside Diameter		USE (Press/Return)	Min. Working Pressure	
GPM	LPM	FEET	METERS	INCH	MM		PSI	BAR
Certified Non-Conductive Hose - Fiber Braid - for Utility Bucket Trucks								
4-9	15-34	up to 10	up to 3	3/8	10	Both	2250	155
Conductive Hose - Wire Braid or Fiber Braid -DO NOT USE NEAR ELECTRICAL CONDUCTORS								
4-6	15-23	up to 25	up to 7.5	3/8	10	Both	2500	175
4-6	15-23	26-100	7.5-30	1/2	13	Both	2500	175
5-10.5	19-40	up to 50	up to 15	1/2	13	Both	2500	175
5-10.5	19-40	51-100	15-30	5/8	16	Both	2500	175
5-10.5	19-40	100-300	30-90	5/8	16	Pressure	2500	175
10-13	38-49	up to 50	up to 15	3/4	19	Return	2500	175
10-13	38-49	51-100	15-30	5/8	16	Both	2500	175
10-13	38-49	100-200	30-60	3/4	19	Pressure	2500	175
13-16	49-60	up to 25	up to 8	5/8	16	Return	2500	175
13-16	49-60	26-100	8-30	3/4	19	Pressure	2500	175
				1	25.4	Return	2500	175
				5/8	16	Pressure	2500	175
				3/4	19	Return	2500	175
				3/4	19	Pressure	2500	175
				1	25.4	Return	2500	175

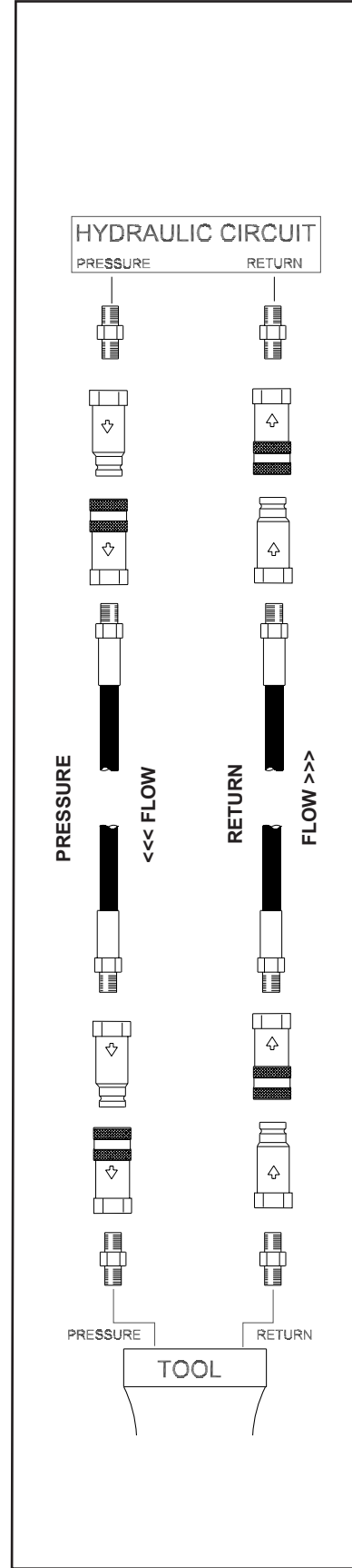


Figure 1. Typical Hose Connections

HTMA / EHTMA REQUIREMENTS

HTMA

HYDRAULIC SYSTEM REQUIREMENTS

TOOL TYPE

	TYPE I	TYPE II	TYPE RR	TYPE III
Flow Range	4-6 gpm (15-23 lpm)	7-9 gpm (26-34 lpm)	9-10.5 gpm (34-40 lpm)	11-13 gpm (42-49 lpm)
Nominal Operating Pressure (at the power supply outlet)	1500 psi (103 bar)	1500 psi (103 bar)	1500 psi (103 bar)	1500 psi (103 bar)
System relief valve setting (at the power supply outlet)	2100-2250 psi (145-155 bar)	2100-2250 psi (145-155 bar)	2200-2300 psi (152-159 bar)	2100-2250 psi (145-155 bar)
Maximum back pressure (at tool end of the return hose)	250 psi (17 bar)	250 psi (17 bar)	250 psi (17 bar)	250 psi (17 bar)
Measured at a max. fluid viscosity of: (at min. operating temperature)	400 ssu* (82 centistokes)	400 ssu* (82 centistokes)	400 ssu* (82 centistokes)	400 ssu* (82 centistokes)
Temperature: Sufficient heat rejection capacity to limit max. fluid temperature to: (at max. expected ambient temperature)	140° F (60° C)	140° F (60° C)	140° F (60° C)	140° F (60° C)
Min. cooling capacity at a temperature difference of between ambient and fluid temps	3 hp (2.24 kW) 40° F (22° C)	5 hp (3.73 kW) 40° F (22° C)	6 hp (5.22 kW) 40° F (22° C)	7 hp (4.47 kW) 40° F (22° C)
NOTE: Do not operate the tool at oil temperatures above 140° F (60° C). Operation at higher temperatures can cause operator discomfort at the tool.				
Filter Min. full-flow filtration Sized for flow of at least: (For cold temp. startup and max. dirt-holding capacity)	25 microns 30 gpm (114 lpm)	25 microns 30 gpm (114 lpm)	25 microns 30 gpm (114 lpm)	25 microns 30 gpm (114 lpm)
Hydraulic fluid Petroleum based (premium grade, anti-wear, non-conductive) Viscosity (at min. and max. operating temps)	100-400 ssu*	100-400 ssu* (20-82 centistokes)	100-400 ssu*	100-400 ssu*
NOTE: When choosing hydraulic fluid, the expected oil temperature extremes that will be experienced in service determine the most suitable temperature viscosity characteristics. Hydraulic fluids with a viscosity index over 140 will meet the requirements over a wide range of operating temperatures.				
*SSU = Saybolt Seconds Universal				

EHTMA HYDRAULIC SYSTEM REQUIREMENTS

CLASSIFICATION



	B	C	D	E	F
Flow Range	3.5-4.3 gpm (13.5-16.5 lpm)	4.7-5.8 gpm (18-22 lpm)	7.1-8.7 gpm (27-33 lpm)	9.5-11.6 gpm (36-44 lpm)	11.8-14.5 gpm (45-55 lpm)
Nominal Operating Pressure (at the power supply outlet)	1870 psi (129 bar)	1500 psi (103 bar)	1500 psi (103 bar)	1500 psi (103 bar)	1500 psi (103 bar)
System relief valve setting (at the power supply outlet)	2495 psi (172 bar)	2000 psi (138 bar)	2000 psi (138 bar)	2000 psi (138 bar)	2000 psi (138 bar)

NOTE: These are general hydraulic system requirements. See tool specification page for tool specific requirements

OPERATION

PRE-OPERATION PROCEDURES

CHECK HYDRAULIC POWER SOURCE

1. Using a calibrated flow meter and pressure gauge, check that the hydraulic power source develops a flow of 7–10 gpm/26–38 lpm at 2200–2300 psi/152–159 bar.
2. Make certain the hydraulic power source is equipped with a relief valve set to open at 2100–2250 psi/145–155 bar minimum.
3. Check that the hydraulic circuit matches the tool for open-center (OC) or closed-center (CC) operation.

CHECK TOOL

1. Make sure all tool accessories are correctly installed. Failure to install tool accessories properly can result in damage to the tool or personal injury.
2. There should be no signs of leaks.
3. The tool should be clean, with all fittings and fasteners tight.

CHECK TRIGGER MECHANISM

1. Check that the trigger operates smoothly and is free to travel between the **ON** and **OFF** positions.

CHECK GUARD WELDMENT

1. Inspect the wheel guard weldment for cracks and other structural damage.

INSTALLING AND REMOVING GRINDING WHEEL

NOTE:

Use 6 inch diameter up to 3 inch thick (Type 6 for USA) grinding wheels with a 5/8-11 threaded arbor hole. Only use grinding wheels which comply with ANSI B7.1, B7.5/ISO 525, 603.

READ AND BECOME FAMILIAR WITH THE SECTIONS IN THIS MANUAL ON SAFETY PRECAUTIONS, TOOL STICKERS AND TAGS, HYDRAULIC HOSE REQUIREMENTS, HYDRAULIC REQUIREMENTS, AND PRE-OPERATION PROCEDURES BEFORE USING THIS PRODUCT.

1. Unscrew the two nuts (98) which secure the guard weldment (95) to the frame and remove the guard weldment.
2. Install the grinding wheel until it comes in contact with the drive flange.

3. Using the wrench (89) provided, place it on the flats of the drive flange. Place a strap wrench on the grinding wheel and then tighten by gripping and turning the strap wrench while holding the wrench provided.
4. Replace the guard weldment.

IMPORTANT

Never over-tighten the grinding wheel by impacting the wrench with a mallet or hammer. Sufficient torque is attained by hand-tightening the wheel with a strap wrench while securing the drive flange with the wrench provided.

ADJUST WHEEL FLANGES TO FIT RAIL

The wheel flanges may be adjusted to fit the width of the rail by removing one or more of the washers.

CONNECTING THE HOSES

1. Wipe all hose couplers with a clean lint-free cloth before making connections.
2. Connect the hoses from the hydraulic power source to the hose couplers on the grinder. It is a good practice to connect the return hose first and disconnect it last to minimize or avoid trapped pressure within the grinder motor.
3. Observe flow indicators stamped on hose couplers to be sure that oil will flow in the proper direction. The female coupler is the inlet coupler.

NOTE:

The pressure increase in uncoupled hoses left in the sun may result in making them difficult to connect. When possible, connect the free ends of operating hoses together.

OPERATION

OPERATING PROCEDURES

1. Observe all safety precautions.
2. Always start the grinder with the grinding wheel away from the work surface by turning the hand wheel counter clockwise to raise the wheel.
3. Move the hydraulic circuit control valve to the **ON** position.
4. Squeeze the trigger momentarily. If the grinder does not operate, the hoses might be reversed. Verify correct connection of the hoses before continuing.
5. Start the grinder and move the grinding wheel to the work surface by turning the hand wheel clockwise.
6. Grind a small amount of material at a time adjusting the grinding wheel as necessary by turning the hand wheel.

NOTE:

If the grinder is not loaded against a work surface when the trigger is released, the wheel will take 5-10 seconds to come to a complete stop. Avoid unintentional contact of the grinding wheel during the coast down period.

COLD WEATHER OPERATION

If the grinder is to be used during cold weather, preheat the hydraulic fluid at low engine speed. When using the normally recommended fluids, fluid temperature should be at or above 50 °F/10 °C (400 ssu/82 centistokes) before use.

Damage to the hydraulic system or grinder can result from use with fluid that is too viscous or too thick.

PREVENTATIVE MAINTENANCE

1. The gears and bearings in the ram, spindle, and housing assemblies should be regreased every 6 months or 500 hours. This procedure must be accomplished by a trained technician.
2. After each servicing, measure the spindle speed (rpm – revolutions per minute) at 12 gpm/45 lpm input. The nominal speed is 4000, not to exceed 6000 rpm. This procedure must be accomplished by a trained technician.
3. Inspect the spindle and drive flange for signs of wear or damage. Run out should not exceed .004 in./ .1 mm TIR on threads or .002 in./ .05 mm TIR on arbor diameters and faces.
4. Check hoses and fittings weekly for any evidence of leakage, cover wear, cracking or cuts. If any of these defects are found, discontinue use of the tool immediately and have the defects repaired or replaced by a trained technician.

TOOL PROTECTION & CARE

NOTICE

In addition to the Safety Precautions found in this manual, observe the following for equipment protection and care.

- Make sure all couplers are wiped clean before connection.
- The hydraulic circuit control valve must be in the **OFF** position when coupling or uncoupling hydraulic tools. Failure to do so may result in damage to the quick couplers and cause overheating of the hydraulic system.
- Always store the tool in a clean dry space, safe from damage or pilferage.
- Make sure the circuit **PRESSURE** hose (with male quick disconnect) is connected to the **IN** port. The circuit **RETURN** hose (with female quick disconnect) is connected to the opposite port. Do not reverse circuit flow. This can cause damage to internal seals.
- Always replace hoses, couplings and other parts with replacement parts recommended by Stanley Hydraulic Tools. Supply hoses must have a minimum working pressure rating of 2500 psi/172 bar.
- Do not exceed the rated flow (see Specifications) in this manual for correct flow rate and model number. Rapid failure of the internal seals may result.
- Always keep critical tool markings, such as warning stickers and tags legible.
- Tool repair should be performed by experienced personnel only.
- Make certain that the recommended relief valves are installed in the pressure side of the system.
- Do not use the tool for applications for which it was not intended.

TROUBLESHOOTING

If symptoms of poor performance develop, the following chart can be used as a guide to correct the problem.

When diagnosing faults in operation of the grinder, always check that the hydraulic power source is supplying the correct hydraulic flow and pressure to the grinder as listed in the table. Use a flowmeter known to be accurate. Check the flow with the hydraulic oil temperature at least 80 °F/27 °C.

PROBLEM	CAUSE	SOLUTION
Grinder does not run.	Hydraulic power source not functioning.	Check power source for proper flow and pressure (7–10 gpm/26–38 lpm @ 1500–2000 psi/ 105–140 bar).
	Couplers or hoses blocked.	Locate and remove restriction.
	Hydraulic motor failure.	Inspect and repair.
	Hydraulic lines not connected.	Connect lines.
Grinder operates too slow.	Hydraulic motor speed too slow.	Check power unit for proper flow (7–10 gpm/26–38 lpm).
	High back-pressure.	Check hydraulic system for excessive back-pressure (over 250 psi/17 bar).
	Couplers or hoses blocked.	Locate and remove restriction.
	Oil too hot (above 140 °F/60 °C) or too cold (below 60 °F/16 °C).	Check hydraulic power source for proper oil temperature. Bypass cooler to warm oil or provide cooler to maintain proper temperature.
	Relief valve set too low.	Adjust relief valve to 2100–2250 psi/145–155 bar.
	Hydraulic motor worn.	Inspect, repair or replace.
	Flow control malfunctioning.	Have flow control serviced at an authorized Stanley service center.
Grinder operates too fast.	Flow control malfunctioning.	Have flow control and valve body serviced at an authorized Stanley service center.

SPECIFICATIONS

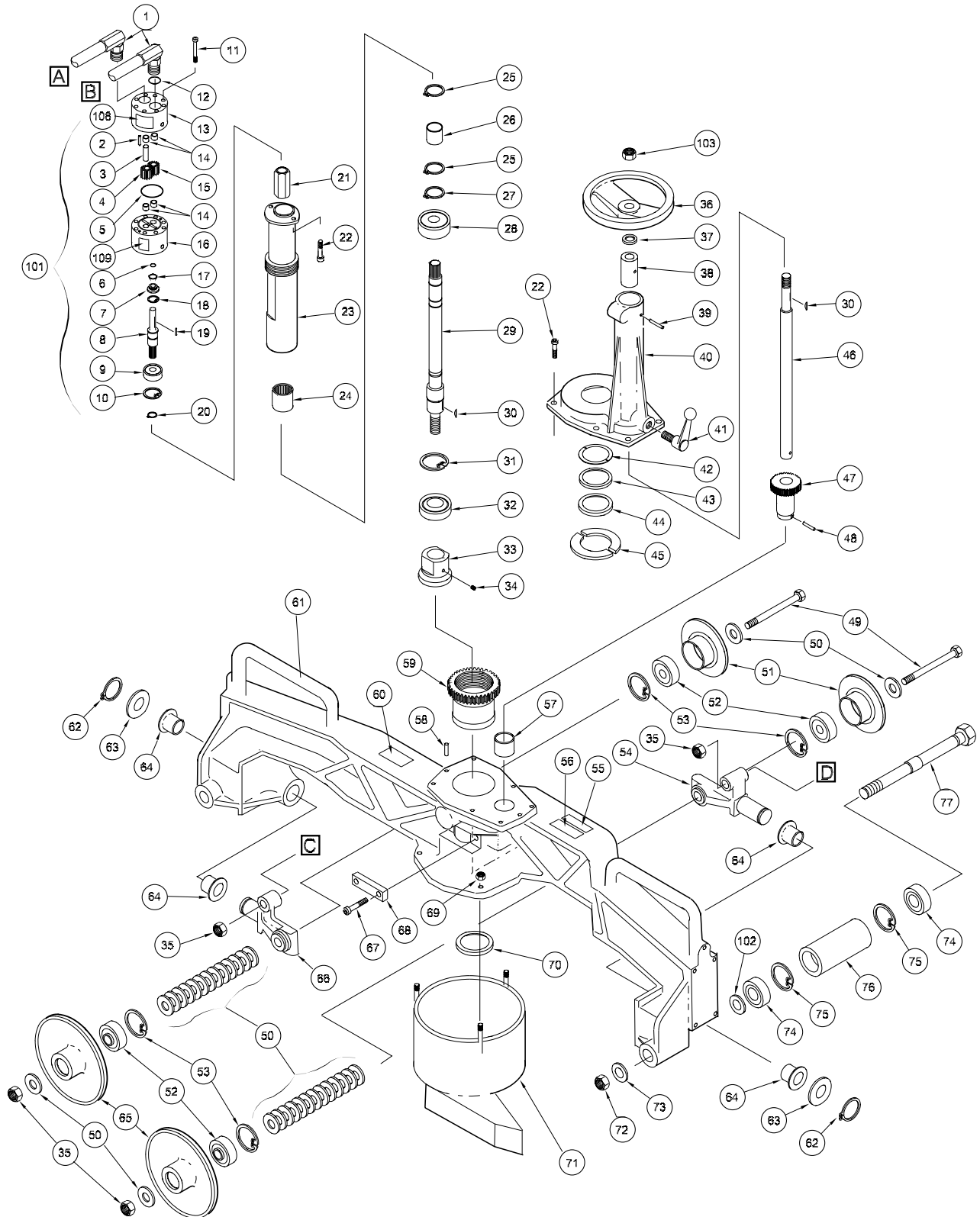
Wheel Capacity	6 in. dia. × 3 in. thk × 5/8-11 threaded arbor (Type 6) U.S.A.
Pressure Range.....	1000–2000 psi/70–140 bar
Maximum Back Pressure.....	250 psi/17 bar
Flow Range	HTMA Type RR, 7–10 gpm/26–38 lpm
Porting	-8 SAE O-ring
Couplers	HTMA Flush Face Type Male & Female
Connect Size and Type	3/8 in. Male Pipe Adapter
Hose Whips	No
Weight (with couplers).....	118 lb/53.5 kg
Overall Length	44 inches/111.76 cm
Overall Width	20 inches/50.8 cm
Overall Height	30.5 inches/77.4 cm
RPM.....	4000
Hyrevz™ Motor.....	24251
Maximum Fluid Temperature	140 °F/60 °C
Sound Power Level	102 dBA
Sound Pressure Level (1m).....	93dBA
Vibration Level.....	3.4m/sec ²

SOUND AND VIBRATION DECLARATION	
Test conducted on PG10110 S/N 206 operated at standard 10 gpm input	
Measured A-weighted sound power level, Lwa (ref. 1pW) in decibels	102.00 dBA
Uncertainty, Kwa, in decibels	3 dBA
Measured A-weighted sound pressure level, Lpa (ref. 20 µPa) at operator's position, in decibels	93 dBA
Uncertainty, Kpa, in decibels	3 dBA
Values determined according to noise test code given in ISO 15744, using the basic standard ISO 3744 NOTE: The sum of a measured noise emission value and its associated uncertainty represents an upper boundary of the range of values which is likely to occur in measurements.	
Declared vibration emission value in accordance with EN 12096	
Measured vibration emission value: a	3.4 m/sec ²
Uncertainty: K	1.0 m/sec ²
Values determined according to ISO 8662-4, ISO 5349-1,2	

ACCESSORIES

6 × 3 × 5/8-11 Thread Cup Stone	28597
---------------------------------------	-------

PG10 PARTS ILLUSTRATION



PG10 PARTS LIST

ITEM	P/N	QTY	DESCRIPTION
1	25294	2	HOSE ASSY
2	00713	2	DOWEL PIN
3	06854	1	IDLER SHAFT
4	25717	1	IDLER GEAR
5	00178	1	O-RING, 2-1/8 × 2-1/4 × 1/16 70D •
6	00669	1	QUAD RING •
7	19884	1	SEAL GLAND
8	25166	1	MOTOR SHAFT
9	00148	1	BEARING
10	00166	1	RETAINING RING
11	00120	8	CAPSCREW
12	01604	3	O-RING (INCL WITH ITEM 1) •
13	06880	1	GEAR HOUSING
	06846	1	GEAR HSG ASSY (INCL ITEMS 2 & 14)
14	06316	4	BUSHING
15	25718	1	DRIVE GEAR
16	19898	1	FRONT BEARING HOUSING
-	19905	1	FRONT BRG HSG ASSY (INCL ITEMS 14)
17	00171	1	O-RING 11/16 × 13/16 × 1/16 70D •
18	00170	1	RETAINING RING
19	06881	1	NEEDLE ROLLER
20	00708	1	RETAINING RING
21	25158	1	SPLINED COUPLING
22	02688	10	CAPSCREW
23	25099	1	RAM
24	25291	1	NEEDLE ROLLER BEARING
25	25289	2	RETAINING RING
26	25290	1	INNER RING
27	25281	1	RETAINING RING
28	25279	1	BEARING
29	27941	1	SPINDLE
30	00772	2	WOODRUF KEY
31	25278	1	RETAINING RING
32	25280	1	OIL SEAL, 1.250 × 2.047 × .299 •
33	25419	1	DRIVE FLANGE
34	01607	1	SET SCREW
35	04374	4	NUT
36	26809	1	HAND WHEEL
37	25287	1	WIPER •
38	27748	1	BUSHING
39	02900	1	ROLL PIN
40	27749	1	HOUSING
41	25285	1	ADJUSTABLE HANDLE
42	25104	1	BACKUP WASHER
43	25286	1	WIPER TYPE H •

ITEM	P/N	QTY	DESCRIPTION
44	25293	1	SQUARE RING •
45	25103	1	THRUST WASHER
46	26810	1	SHAFT
47	25083	1	PINION GEAR
48	25283	1	ROLL PIN
49	25304	2	CAPSCREW
50	20876	30	WASHER
51	25045	2	FLANGE
52	25303	4	BEARING
53	25302	4	RETAINING RING
54	25111	1	ARM L.H.
55	25610	1	HELP DESK STICKER
56	25357	1	CAUTION STICKER
57	25284	1	BUSHING
58	00272	2	DOWEL PIN
59	25082	1	FEED GEAR
60	29714	1	NAME TAG
61	25076	1	FRAME
62	25297	2	RETAINING RING
63	25296	2	THRUST WASHER
64	25295	4	FLANGED BUSHING
65	25046	2	FLANGE
66	25126	1	ARM R.H
67	10888	2	CAPSCREW
68	25167	1	KEY
69	04353	3	STOP NUT
70	25277	1	WIPER •
71	25060	1	GUARD WELDMENT
72	04984	2	STOP NUT
73	25300	2	WASHER
74	25299	4	BEARING
75	25298	4	RETAINING RING
76	25047	2	ROLLER
77	25048	2	SHAFT BOLT
78	25036	1	ON-OFF SPOOL (O.C.)
79	25161	1	HANDLE WELDMENT
80	28453	1	TRIGGER ASSY
81	18037	1	BALL JOINT STUD
82	25305	1	WIPER •
83	25256	1	WASHER •
84	08017	2	O-RING 7/8 × 1-1/16 × 3/32 -118 •
85	01605	4	O-RING .644 × .818 × .087 -908 (INCL W/ ITEMS 1 & 86) •
86	00936	2	ADAPTER
87	03972	1	FEMALE COUPLING, PARKER
	47436	1	FEMALE COUPLING, AEROQUIP

PG10 PARTS LIST

ITEM	P/N	QTY	DESCRIPTION
88	03973	1	MALE COUPLING, PARKER
	47437	1	MALE COUPLING, AEROQUIP
89	25842	1	WRENCH (SHIPPED LOOSE)
90	17904	1	RETAINING RING
91	18008	2	SPRING WASHER
92	24819	1	SPRING
93	28914	1	FLOW CONTROL (PRE-SET)
94	00955	1	PIPE PLUG
95	24289	1	PLUG
96	01411	1	O-RING, .488 x .624 x .078 -906 •
97	20145	1	STEEL BALL
98	25292	1	ROLL PIN
99	25005	1	VALVE BLOCK
100	03787	1	GPM STICKER
	28811	1	INFORMATION PLAQUE (CE ONLY)
	21336	2	POP RIVET FOR INFORMATION PLAQUE (CE ONLY)
101	25251	1	MOTOR ASSY (INCL 2 THRU 11, & 13 THRU 20)
102	25052	2	WASHER
103	02179	1	NUT
104	18601	1	ROLL PIN
105	27366	1	LEVER WELDMENT
106	27599	1	SPRING (MODIFIED)
107	27370	1	SPACER
108	28409	1	DECAL, COMPOSITE SAFETY
109	28322	1	DECAL, CE
110	11207	1	DECAL, CIRCUIT TYPE D
111	51296	1	DECAL, SOUND POWER LEVEL
	25942	1	SEAL KIT

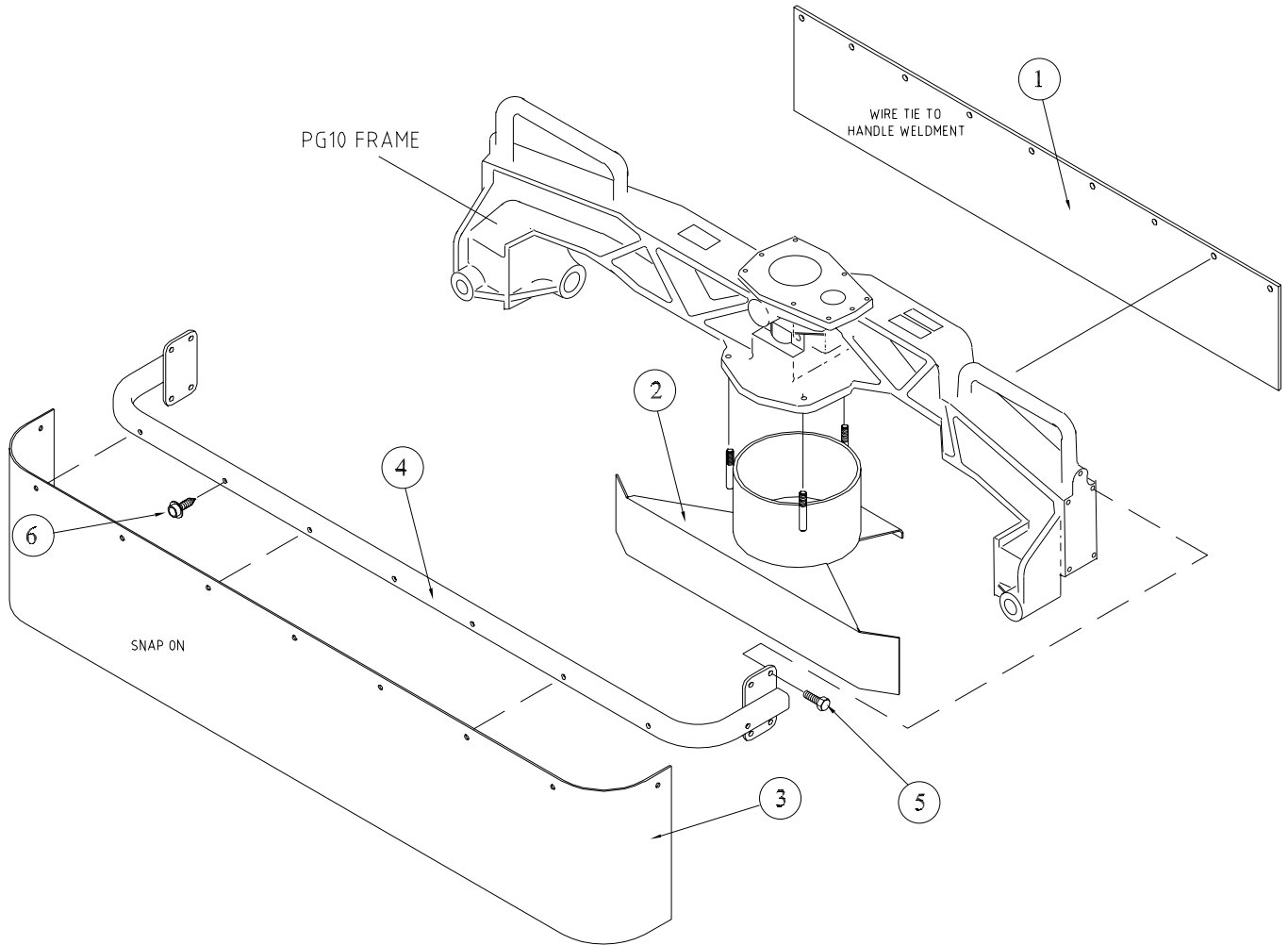
• Denotes part in seal kit

NOTE:

Use Part Number and Part Name when ordering.

SPARK GUARD KIT

PG10
 69820 SPARK GUARD KIT
 (Includes Everything Pictured Except PG10 Frame)
 (Includes Wire Ties & Hardware)



ITEM	P/N	QTY	DESCRIPTION
1	69915	1	SPARK BARRIER SECONDARY
2	69899	1	GUARD WELDMENT
3	65202	1	SPARK BARRIER
4	62402	1	SPARK GUARD FRAME WELDMENT
5	2072	8	CAPSCREW
6	70743	9	FABRIC SNAP
7	2395	9	CABLE TIE (NOT PICTURED)
	69814	1	SPARK GUARD ASSY (INCL ITEMS 3 & 4)
	69820	1	SPARK GUARD KIT (INCL ITEMS 1 THRU 7)

STANLEY®

Stanley Hydraulic Tools
3810 SE Naef Road
Milwaukie, Oregon 97267-5698 USA
(503) 659-5660 / Fax (503) 652-1780
www.stanleyhydraulics.com

Free Manuals Download Website

<http://myh66.com>

<http://usermanuals.us>

<http://www.somanuals.com>

<http://www.4manuals.cc>

<http://www.manual-lib.com>

<http://www.404manual.com>

<http://www.luxmanual.com>

<http://aubethermostatmanual.com>

Golf course search by state

<http://golfingnear.com>

Email search by domain

<http://emailbydomain.com>

Auto manuals search

<http://auto.somanuals.com>

TV manuals search

<http://tv.somanuals.com>