

**STANLEY**

**FatMax<sup>®</sup> XTREME<sup>™</sup>**

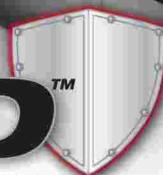
**PORTABLE TRUCK BOX  
CAJA PORTATIL PARA CAMIONETA  
COFFRE DE CAMION TRANSPORTABLE**

▶ **USER MANUAL  
MANUAL DE USUARIO  
MANUEL D'UTILISATEUR**



**STANLEY**

**GUARD<sup>™</sup>**  
**SECURITY ALARM SYSTEM**



**PATENT  
PENDING**

## INTRO

Thank you for purchasing the Stanley Portable Truck Box.  
We have taken great care to provide you with the best tool storage solution.  
This innovative 42 gallon/159 liter Portable Truck Box offers the ultimate security for your valuable equipment and portability for any job site.  
State of the arts engineering and design are all aimed at providing you the most comprehensive solution for you everyday needs such as security, portability and organization.



Useful volume: 159 liters ~ 42 gallons


Max load : 60 Kg ~ 132 lb

Product measurements: 39<sup>4</sup>/<sub>5</sub> X 22 X 19<sup>3</sup>/<sub>5</sub> In 101.2 X 56 X 49.9 CM

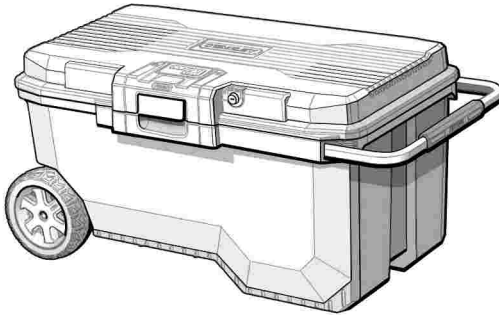
**Please register your key's serial number at:**

**<http://www.stanleytools.com/stanleyGuard>**



P. 4	Parts Included
P. 5	 Interface
P. 6	Insert Batteries
P. 7	Getting Started
P. 8	Opening the Box
P. 9	Closing the Box
P. 10-11	Changing the Code
P. 12	Operating the System Manually
P. 13	In Case Alarm is Activated
P. 14	Penalty
P. 15	Resetting the system
P. 16	Installing the Docking Unit
P. 17	Docking Unit Operation
P. 18	Releasing the Box
P. 19-20	Docking Unit Assembly
P. 21	Warranty
P. 22	Regulatory Compliance

## PARTS INCLUDED



PTB2010 X 1



DS2010 X 1



3 X KEY

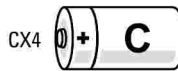
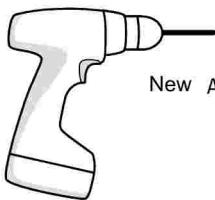


5 X SCREW



IB001 X 1

## REQUIRED FOR ASSEMBLY



New ALKALINE



Ø 11mm = 7/16"

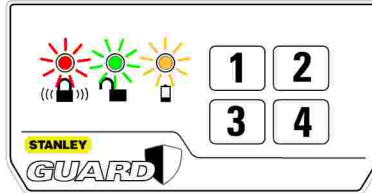


Ø 6 mm = 1/4"



Not included.

CPO2010 Control Panel I



Box is locked.



Box is unlocked.



Battery low.



Beeeeeep

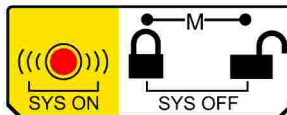


Siren



Penalty

KPO2010 Key Panel



System ON.

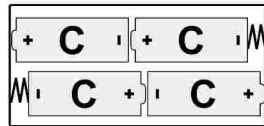
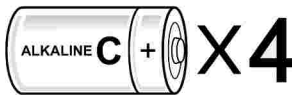
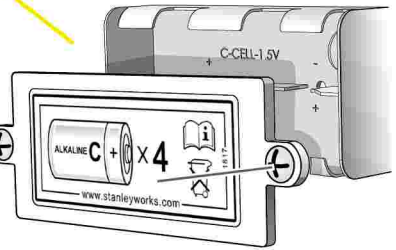
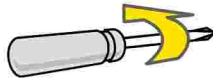
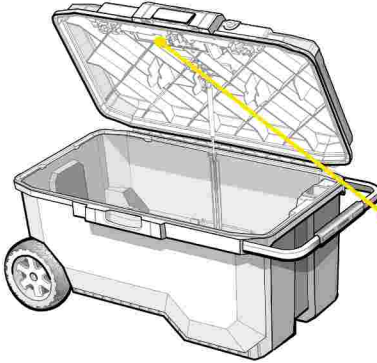
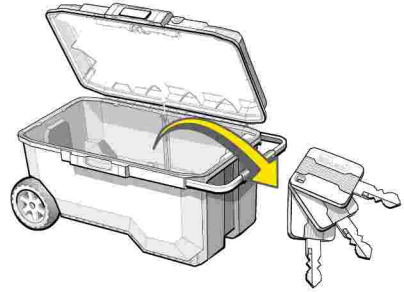


Manual override.

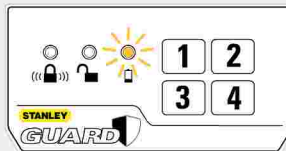
# INSERT BATTERIES



Take the keys out of the box.

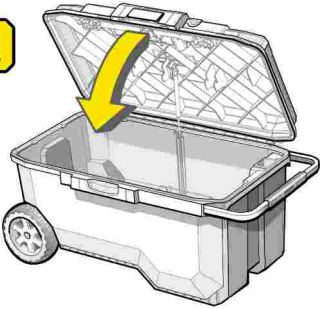


Use new batteries



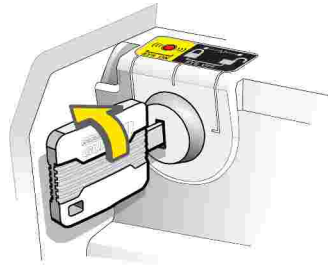
The yellow light indicates that the battery needs changing.

**a**



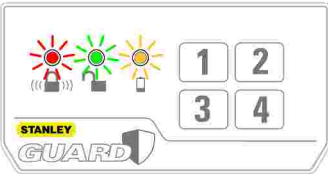
You must close the box to continue,

**b**



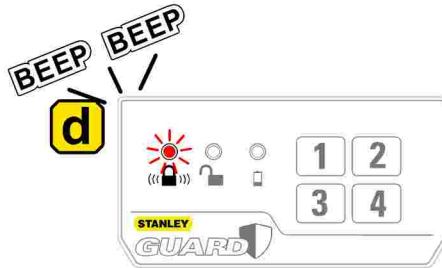
Turn the key to the left.

**c**

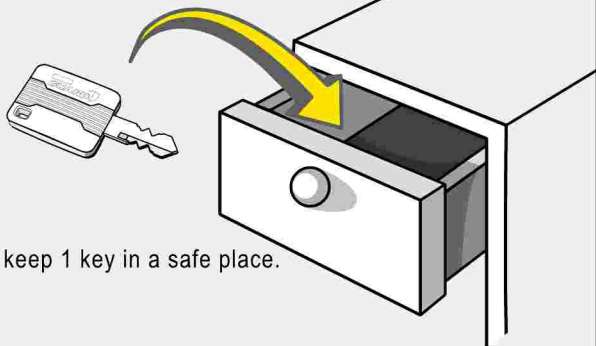


All 3 lights will blink simultaneously.

**d**



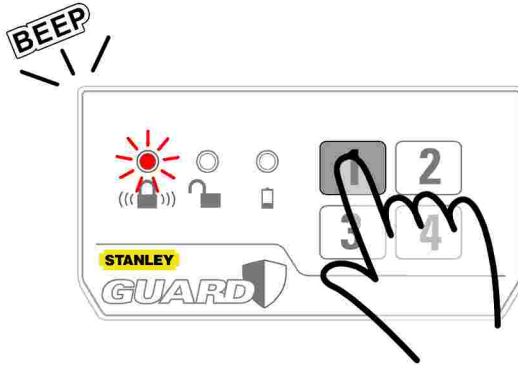
The red light will indicate that the box is now locked. To open the box use "1111".



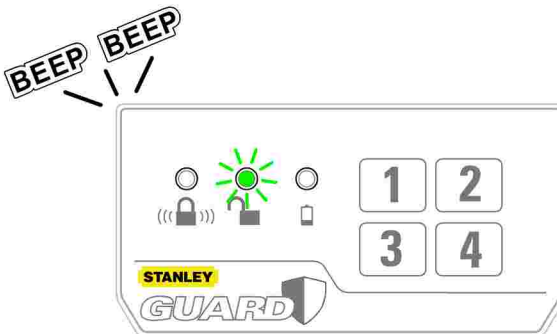
Note: Always keep 1 key in a safe place.



## OPENING THE BOX

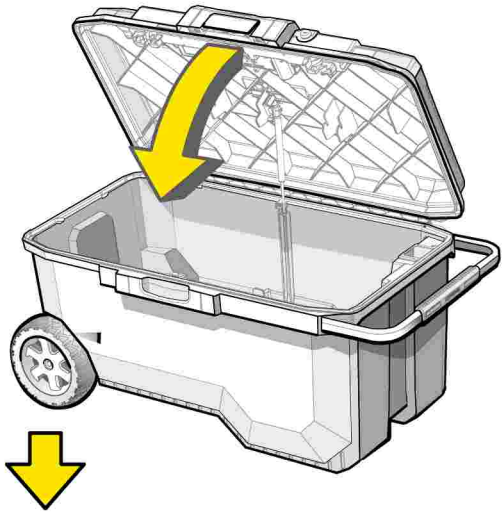


Enter the current code "1111".

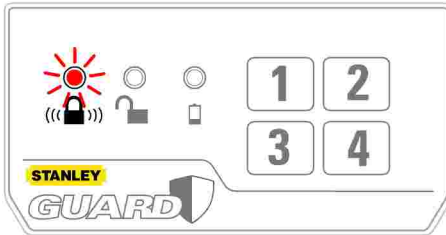


Green light will blink and a beep will sound.





**BEEP BEEP**



3 seconds after closing - the box will lock automatically, the red light will appear and a beep will sound.



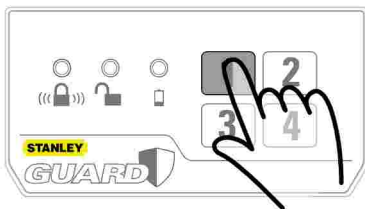
For the next 2 minutes every 10 seconds will be the red light indicating the box is locked.

## CHANGING THE CODE

**a**

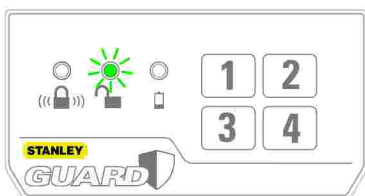


**b**



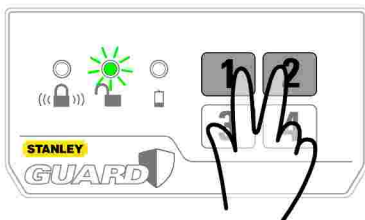
Enter the current code "1111".

**c**



The green light will blink.

**d**

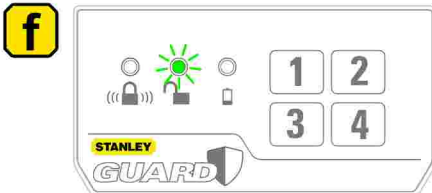
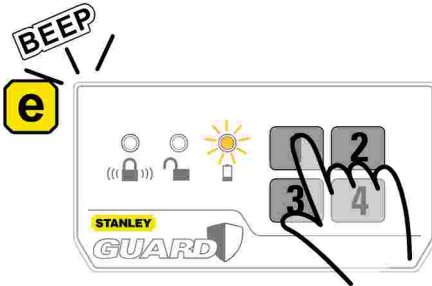


Push 1+2 simultaneously until the green light is constant.



Note: The system will lock automatically in 15 seconds.

- Remove your hand from the code panel – the yellow light will blink. Insert the new code.
- A beep will sound.
- The yellow light will blink again.
- Now insert the same code again.

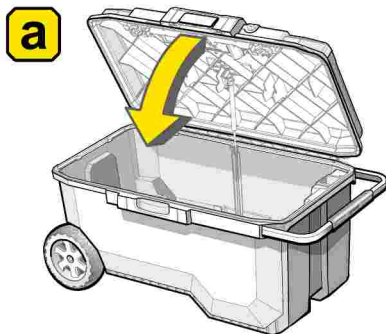


A green light will indicate that the code was entered successfully.

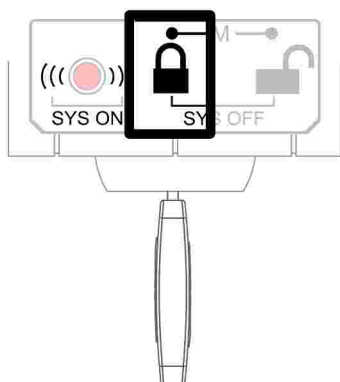
Note: In case of failure, the system will go back to the default code "1111".



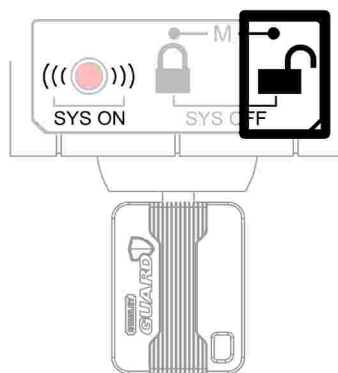
## OPERATING THE SYSTEM MANUALLY



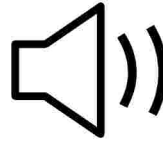
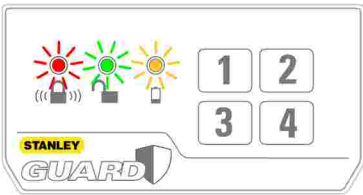
In case you choose to work manually or, in case the batteries are empty, the unit can be operated manually by using the key. Close the box and turn the key to the manual position.



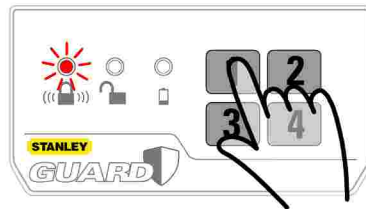
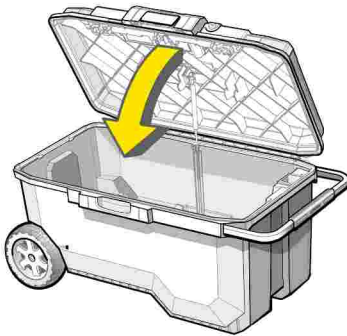
Locked manually.



Unlocked manually.

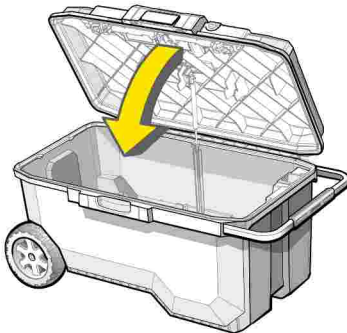


TO NUTRALIZE



Press the code.

OR



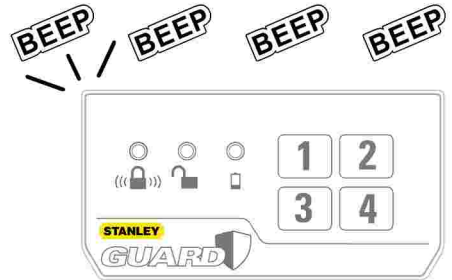
Switch to manual.  
Switch to manual.  
Switch to manual.

Siren will shut down automatically after 5 min.

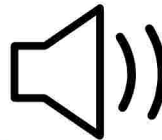
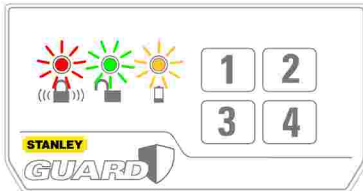


# PENALTY

**a** In case of entering a wrong code.



**b** After entering a wrong code 4 times.



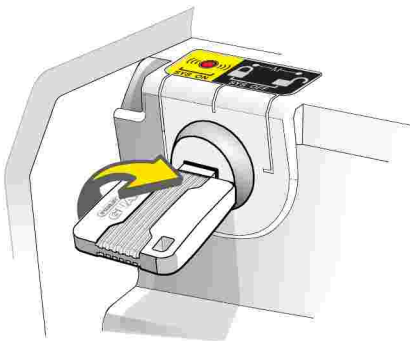
10 sec.



2 min.

System is blocked for 2 min.

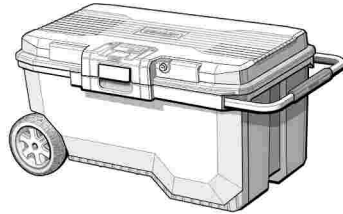
**TO RESET**



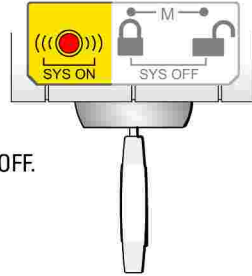
Switch to manual.

# RESETTING THE SYSTEM

In case you forgot your code please reset the system.

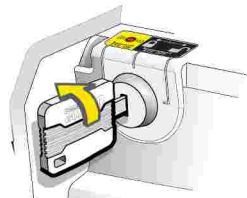
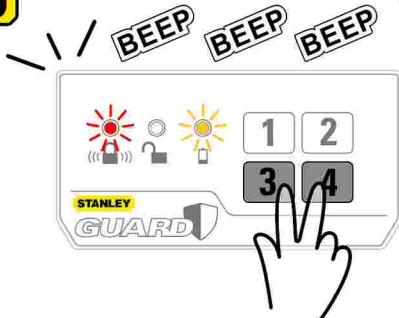


**a**

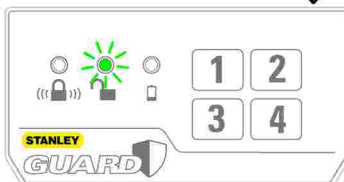


To reset, move the keys to SYS OFF.

**b**

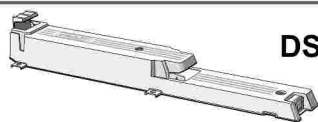
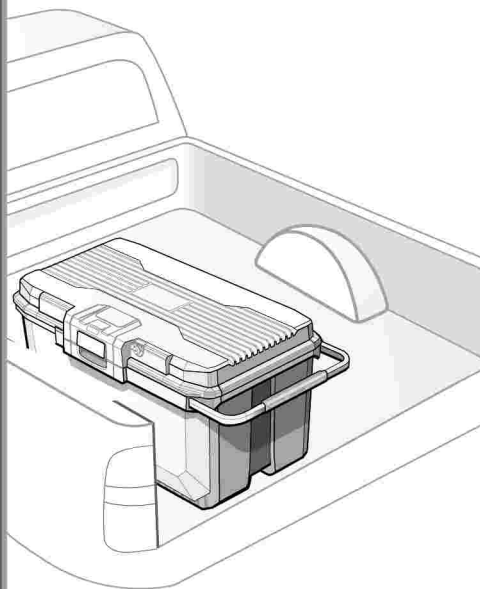


Turn the key left while pressing 3+4 simultaneously for 3 seconds. Red & yellow lights will blink and a beep will sound.



Reset has been accomplished successfully. The code is now "1111".

# INSTALLING THE DOCKING UNIT



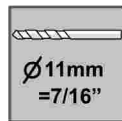
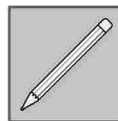
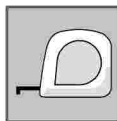
**DS2010**



**5 x**

**SCREW**  
Tornillo  
Vis

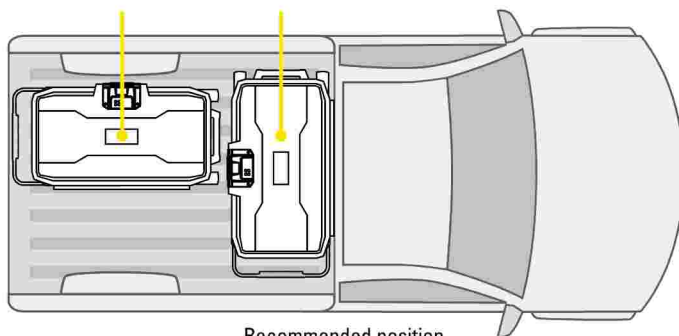
Tools required:



## CHOOSE LOCATION

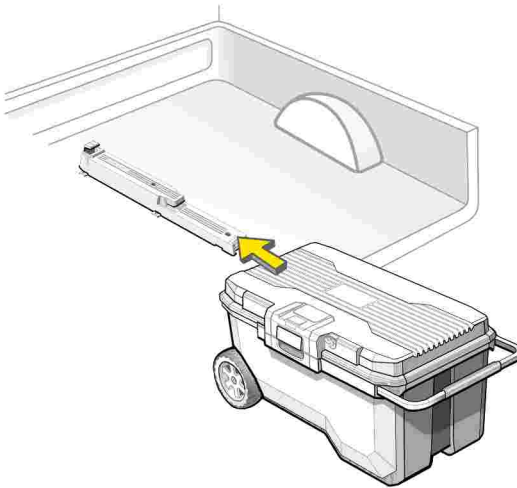
Position 1

Position 2

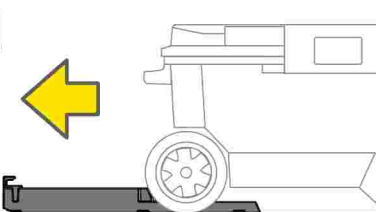


Recommended position.



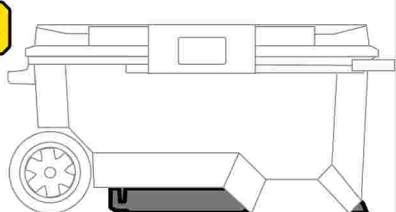


**a**

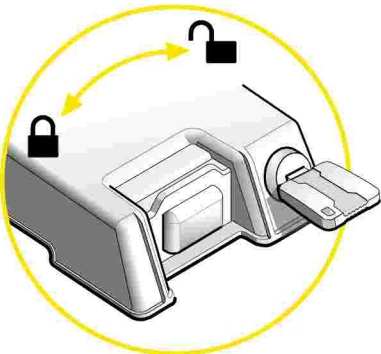


Slide back the box until you hear a "click".

**b**

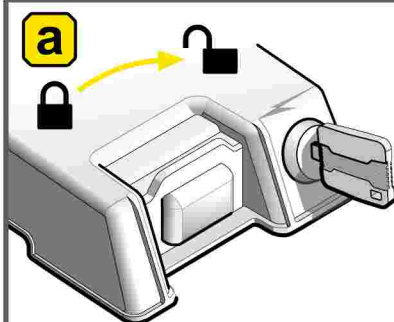


The box is positioned safely in the docking unit.

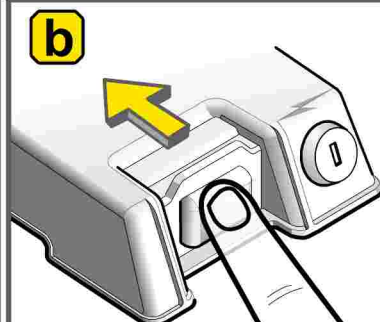


The key can be used to lock the unit.

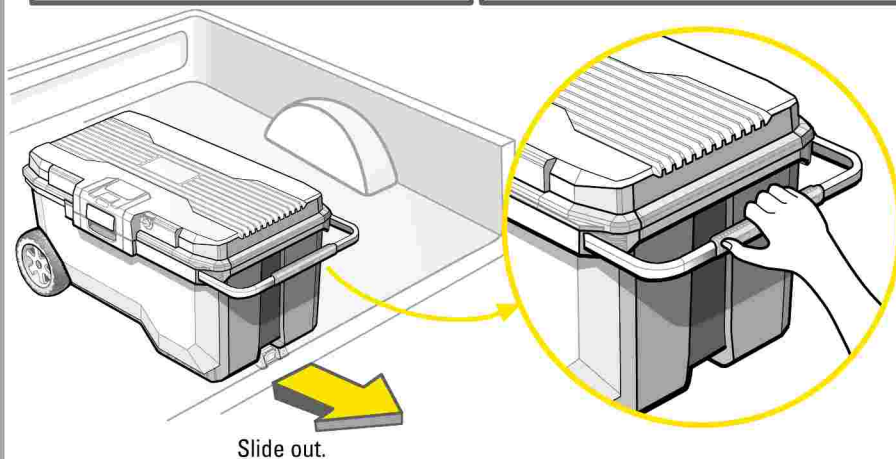
## RELEASING THE BOX



Use the key to unlock.

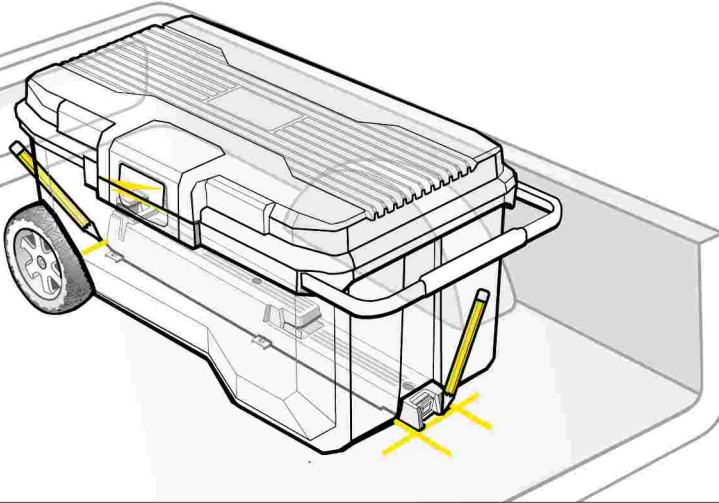


Push the button and remove your finger to release.

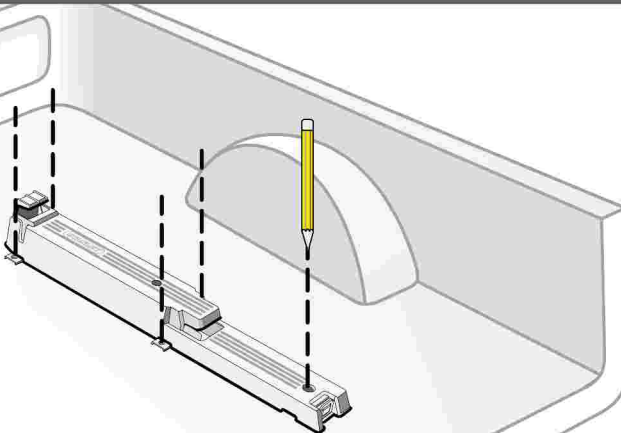


Note: After pushing the button the box is not secured to the docking unit.

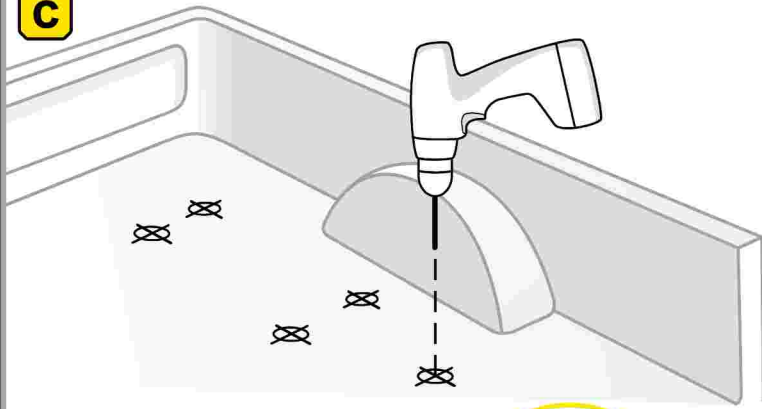


**a**

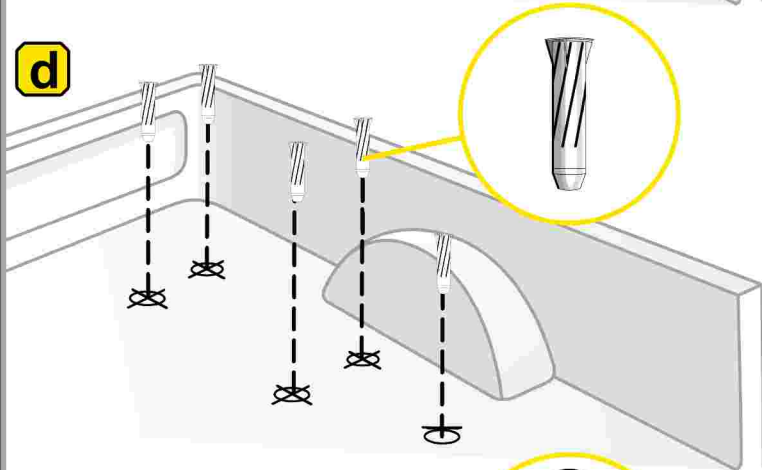
Before drilling, make sure not to damage any electric wiring or any fuel or brake lines under the floor / Pick up bed / Van floor.

**b**

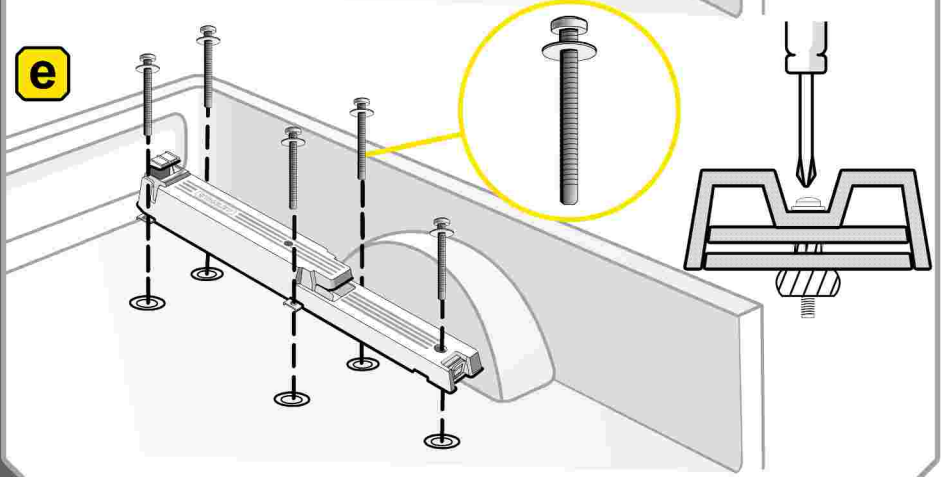
**c**



**d**



**e**



# 1 year limited warranty

Please check details at our web site:  
<http://www.stanleytools.com/StanleyGuard>  
Or for further assistance, please call  
customer service at # 800-262-2161 .

## SAFETY COMPLIANCE

### **European Union**

EN 60335-1

As per mark requirements

---

## CUMPLIMIENTO DE NORMAS DE SEGURIDAD

### **Unión Europea**

EN 60335-1

Conforme a los requisitos del mercado **CE**

Cumplimiento de normas de Compatibilidad Electromagnética (EMC)

### **Unión Europea**

EN 61000-6-3:07; EN 61000-6-1:07

Conforme a los requisitos del mercado **CE**

**EE.UU.**

Código de Reglamentos Federales (CFR), Título 47, parte 15, apartado B.

### **Nota de la Comisión Federal de Comunicaciones (FCC):**

Este dispositivo cumple con la Parte 15 de las Normas de la FCC.

La operación se encuentra sujeta a las siguientes dos condiciones:

- (1) Este dispositivo no puede causar interferencia perjudicial.
- (2) Este dispositivo debe aceptar toda interferencia recibida, incluso interferencias que tal vez causen un funcionamiento no deseada.

You can now enjoy your new Stanley Guard Portable Truck Box.  
Thank you for choosing our product.  
Please visit our website at: <http://www.stanleytools.com/StanleyGuard>  
if you have any questions or comments and for more information about  
this product. We value your opinion.  
For other products, please visit us at <http://www.stanleyworks.com>.

Ahora puede disfrutar de su nueva Caja portátil para camioneta  
Stanley Guard. Gracias por elegir nuestro producto.  
Visite nuestra página de Internet  
<http://www.stanleytools.com/StanleyGuard> para hacer preguntas o  
comentarios y para recibir mayor información sobre este producto.  
Valoramos su opinión.  
Para otros productos, visítenos en: <http://www.stanleyworks.com>

Dès maintenant, vous pouvez profiter de votre nouveau coffre de  
camion transportable Stanley Guard.  
Merci d'avoir choisi notre produit.  
Veuillez consulter notre site :  
<http://www.stanleytools.com/StanleyGuard>, si vous avez des  
questions ou bien des remarques à nous faire et pour obtenir plus de  
détails sur ce produit. Votre avis nous intéresse.  
Pour d'autres produits, veuillez consulter notre site:  
<http://www.stanleyworks.com>.

Batteries not included  
Operates on 4 Alkaline C batteries

Las baterías no son incluidas  
Opera con 4 baterías alcalino C

Piles non comprises  
Fonctionnant sur 4 piles alcaline C

#### **PATENT PENDING / PATENTE PENDIENTE / BREVET EN INSTANCE**

In Mexico Imported by / En México importado por / Au Mexique importé par  
Stanley Bostitch S.A. de C.V.  
Av. De los Angeles No. 303 Interior Local 1-C  
Col. San Martín Xochinahuac  
Delegación Azcapotzalco  
México, D.F. C.P. 02120  
R.F.C. SBO-861201-7z5



Made in Israel / Fabricado en Israel / Fabriqué en Israël  
© 2009 The Stanley Works, New Britain, CT 06053, U.S.A. <http://www.stanleyworks.com>



12027 10/09 36800

## Free Manuals Download Website

<http://myh66.com>

<http://usermanuals.us>

<http://www.somanuals.com>

<http://www.4manuals.cc>

<http://www.manual-lib.com>

<http://www.404manual.com>

<http://www.luxmanual.com>

<http://aubethermostatmanual.com>

Golf course search by state

<http://golfingnear.com>

Email search by domain

<http://emailbydomain.com>

Auto manuals search

<http://auto.somanuals.com>

TV manuals search

<http://tv.somanuals.com>