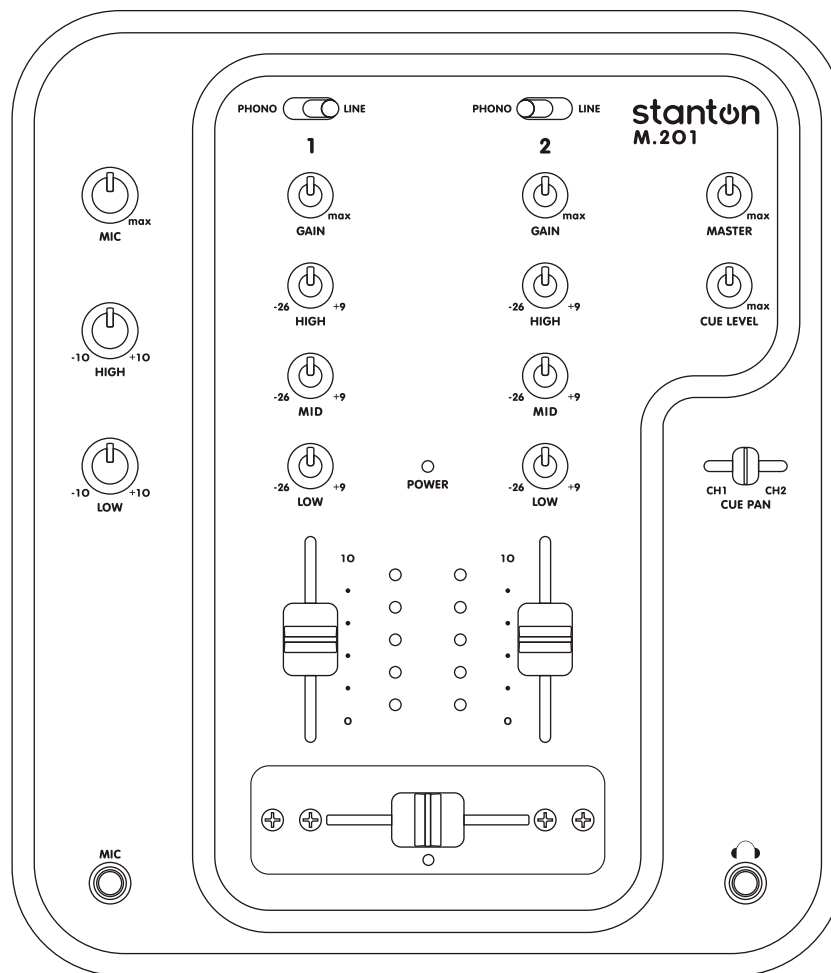



stanton

M.201



PROFESSIONAL DJ MIXER

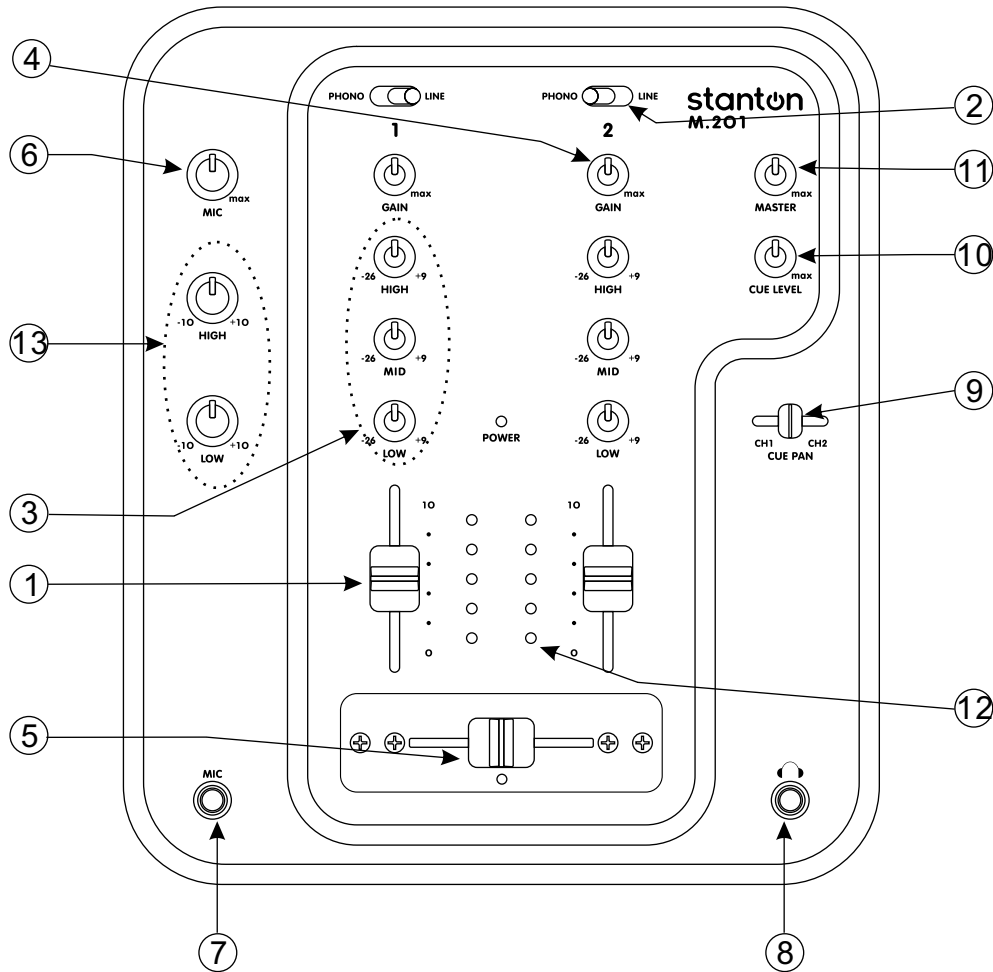
IMPORTANT SAFETY INSTRUCTIONS

1. Read these Instructions
2. Keep these Instructions
3. Heed all Warnings
4. Follow all Instructions
5. Do not use this apparatus near water
6. Clean only with dry cloth
7. Do not block any ventilation openings. Install in accordance with the manufacturer's instructions.
8. Do not install near any heat sources such as radiators, hear registers, stoves, or other apparatus (including amplifiers) that produce heat.
9. Do not defeat the safety purpose of the polarized or grounding-type plug. A polarized plug has two blades with one wider than the other. A grounding type plug has two blades and a third grounding prong. The wide blade or the third prong are provided for your safety. If the provided plug does not fit into your outlet, consult an electrician for replacement of the obsolete outlet.
10. Protect the power cord from being walked on or pinched particularly at plugs, convenience receptacles, and the point where they exit from the apparatus.
11. Only use attachments/accessories specified by the manufacturer.
12. Use only with the cart, stand, tripod, bracket, or table specified by the manufacturer, or sold with the apparatus. When a cart is used, use caution when moving the cart/apparatus combination to avoid injury from tip-over. 
13. Unplug this apparatus during lightning storms or when unused for long periods of time.
14. Refer all servicing to qualified service personnel. Servicing is required when the apparatus has been damaged in any way, such as power-supply cord or plug is damaged, liquid has been spilled or objects have fallen into the apparatus, the apparatus has been exposed to rain or moisture, does not operate normally, or has been dropped.
15. This appliance shall not be exposed to dripping or splashing water and that no object filled with liquids such as vases shall be placed on apparatus.

FEATURES

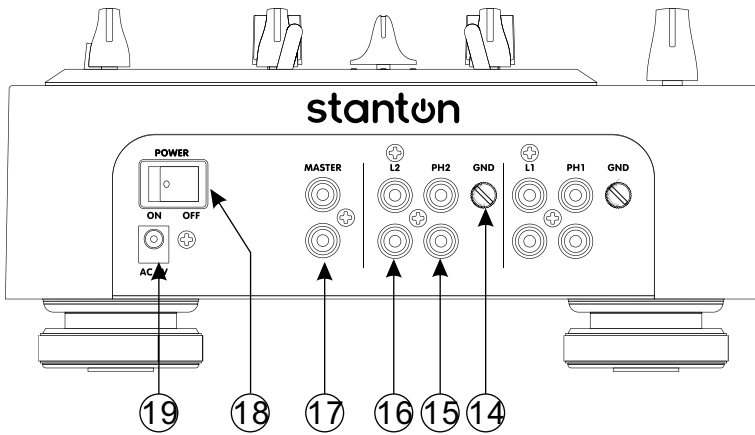
- 3-band EQ w/ input GAIN control per channel.
- Power on/off muting.
- Long-lasting crossfader.

MIXER CONTENTS



1. Input fader - Controls individual source levels (channels) in the mix.
2. Input toggle switch - Selects which source will be active based on what you have connected to the rear panel input section (phono/line).
3. Channel EQ - Adjusts the high, mid and low frequency levels of the input channels for good sound.
4. Channel Gain – Adjusts the pre-fader volume for cleaner sound.
5. Replaceable Crossfader - Achieves clean segues between the two input channels. "Hard left" selects Channel 1. "Hard right" selects Channel 2. With the crossfader centered, both channels are live. Use the crossfader for fast and seamless segues (fades) from one channel to the other.
Note: The crossfader is user replaceable in case of failure. Simply unscrew the two large screws which hold it in place, lift it out and disconnect its cable. Re-attach the new crossfader and screw the mounting plate back onto the unit - you're back in business!
6. Mic Input Gain – Adjusts microphone input level.
7. Mic Input – Insert your Microphone with ¼" plug here.
8. Headphone Input – Insert in the ¼" plug for your headphones here.
9. Channel Cue / Cue Pan - Used to preview channel audio to your headphones. Listen here before bringing up channel faders or moving the crossfader.
10. Headphone Level – Adjusts cue volume.
11. Master Level - Controls the overall output level.
12. Level Indicators – The dual LEDs indicators are used to indicate the master output level of channels Right and Left.
13. Mic EQ – The mic channel include a two-band EQ with a range of +10dB to –10dB.

MIXER CONTENTS



14. Grounding post - for turntable connection. Always use this connection when using standard turntables with ground cable. (Some turntables like the T.80 / T.120 do not require grounding wire).

15. Phono Inputs – Plug your turntables in here. When these connectors are used, your signal is fed directly to the high-quality RIAA phono pre-amplifiers. Use this position only for turntables. Line level sources will overload the sensitive phono pre-amps and

will cause distortion.

16. Line Inputs - Unbalanced RCA jacks for connecting stereo audio from line level sources such as CD players, HiFi VCRs, cassette decks, DAT machines, laser discs, tuners, even synthesizers or other mixing consoles.

NOTE: Plug mono audio sources into both Left and Right inputs using a "Y" cable connector.

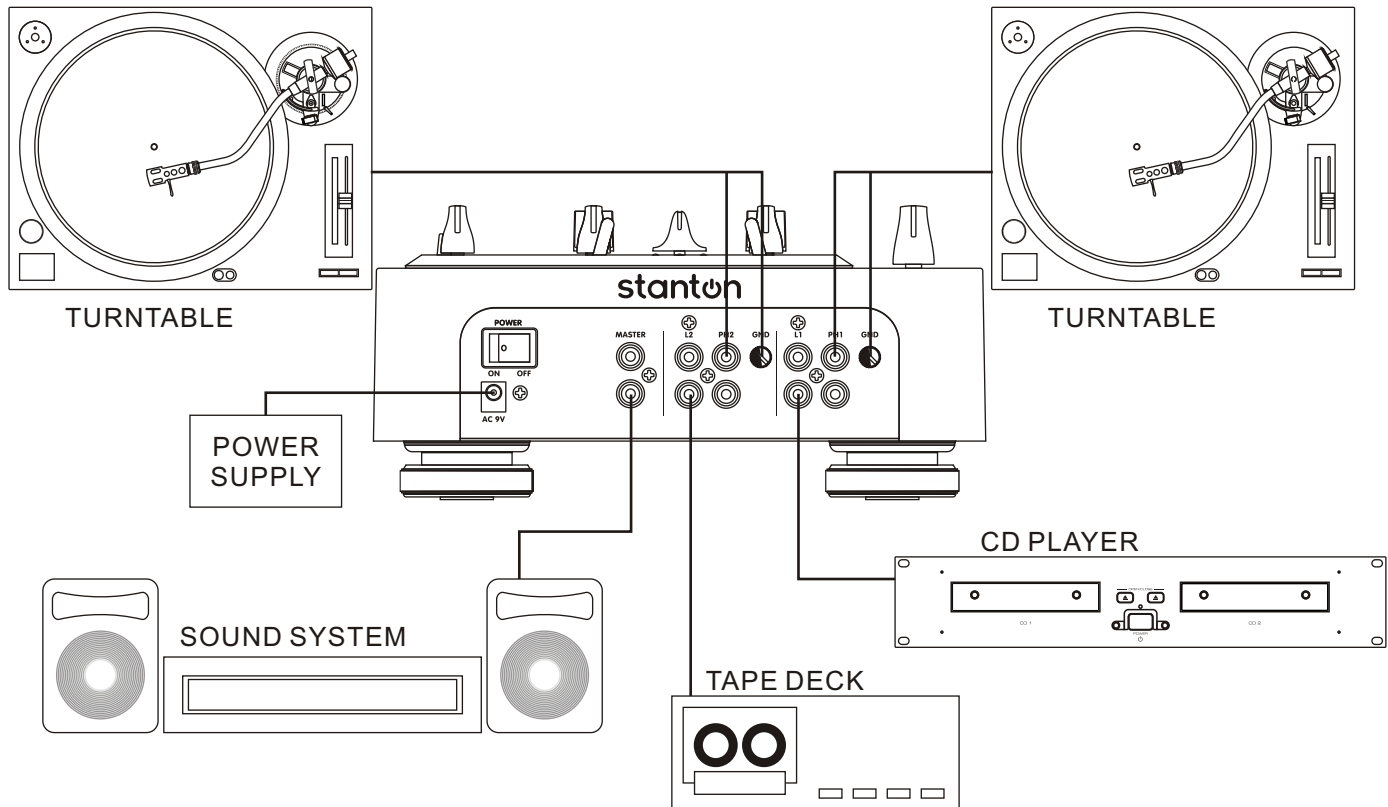
17. Master Output - Unbalanced RCA connectors controlled by the Master level.

18. Power Switch – turns unit off and on. Note*** Remember to turn **ALL** volume levels down when turning on/off the unit.

19. Power Connector - Plug in the included power supply here.

QUICK SETUP DIAGRAM

Study this setup diagram. Make sure all faders are at "zero" and all devices are off. First, connect all input sources and processors. Next, connect your microphone and monitor headphones. Finally, connect the stereo outputs to the power amplifier(s) and/or audio receivers such as tape decks. Plug your mixer into AC power. Now you are ready to switch everything on. **IMPORTANT:** Always switch on your audio input sources such as turntables or CD players first, then your mixer, and finally any amplifiers. When turning off, always reverse this operation by turning off amplifiers, then your mixer, and then input devices.



SPECIFICATIONS

INPUT / OUTPUT IMPEDANCE & SENSITIVITY:

LINE	-14dB/10K OHM	±2dB
PHONO	-50dB /47K OHM	±2dB
MIC	-60dB /2.2K OHM	±2dB
MASTER	1K OHM	
PHONES	0dB/33 OHM	±2dB (LOAD=32 OHM)

MAX. OUTPUT (THD=1%)

MASTER	MORE THAN +14dBV
PHONES	MORE THAN +21dBV

CHANNEL BALANCE WITHIN 3dB

FREQUENCY RESPONSE:

LINE	20-20KHz	±2dB
PHONO	20-20KHz	+2, -3dB (RIAA)
MIC	20-20KHz	+2/-3dB

OUTPUT NOISE (IEC-A WEIGHTED)

LINE	LESS THAN -90dBV
PHONO	LESS THAN -80dBV
MIC	LESS THAN -50dBV

THD + N: (MASTER 0dBV OUTPUT, MAXIMUM GAIN, w/ 20kHz LPF)

LINE	LESS THAN 0.05% 20 - 20KHz
PHONO	LESS THAN 0.1% 20 - 20KHz (IEC-A WTD)
MIC	LESS THAN 0.2% 20 - 20KHz (IEC-A WTD)
PHONES	LESS THAN 0.1% 20 - 20KHz (FROM LINE INPUT)

CROSSTALK LESS THAN -80dB AT 1KHz BETWEEN CHANNELS.
(TERMINATED UNUSED INPUTS)

MIC EQ

HI	±10 +/- 2dB AT 10KHz
LOW	±10 +/- 2dB AT 100Hz

CHANNEL EQ

HI	9 +/- 2dB AT 13KHz
	-15 +/- 3dB AT 13KHz
MID	9 +/- 2dB AT 1KHz
	LESS THAN -23dB AT 1KHz
LOW	9 +/- 2dB AT 70Hz
	-26 +/- 3dB AT 70Hz

POWER SOURCE AC 9V,1000mA

DIMENSIONS 230 (W) X 267 (D) X 111 (H) mm

WEIGHT 1.61Kgs

Stanton Magnetics, Inc. – Warranty Provision – Returns for Repairs or Replacement

WARRANTY

Through Stanton's authorized dealers around the World, Stanton, or one of Stanton's authorized distributors outside the U.S., will, without charge, repair or replace, at the sole discretion of the entity responsible for making the repair or providing the replacement, any Stanton merchandise proved defective in material or workmanship for a period of one (1) year following the date of original purchase. Exceptions to this warranty are as noted below:

The warranty for mechanical parts which are subject to wear and tear are limited to the earlier to occur of thirty (30) days following the date of original purchase or the following number of cycles: Faders - 15,000; Rotary potentiometers - 10,000; and Switches - 10,000.

Stanton will warrant all replacement parts and repairs for ninety (90) days from the date of original shipment. Repairs made necessary by reason of misuse, alteration, normal wear, or accident are not covered under this warranty.

RETURNS

Authorized Stanton dealers are only authorized to sell and distribute merchandise within a specific country. All goods requiring warranty repair or replacement must be returned (freight prepaid if not hand-delivered) to the authorized Stanton dealer from whom the merchandise was purchased and in the same country where the merchandise was purchased. For purposes of purchases made via the Internet, the merchandise must be returned to the authorized Stanton dealer in the country where the authorized Stanton dealer which sold the merchandise to purchaser is located and not the authorized Stanton dealer in the country where the purchaser is located or the country in which the merchandise was received. Any returns to a non-authorized dealer or to an authorized Stanton dealer not in the same country as the merchandise was intended to be sold or as set forth above will void this warranty.

To initiate a warranty repair, you must contact the authorized Stanton dealer from whom you purchased the merchandise, and follow such authorized Stanton dealer's return policy.

Stanton assumes no risk and shall be subject to no liability for damages or loss resulting from the specific use or application made of the merchandise. Stanton's liability for any claim, whether based on breach of contract, negligence, infringement of any rights of any party, or product liability, and relating to the merchandise shall not exceed the price received by Stanton from your purchase of such merchandise. In no event will Stanton be liable for any special, incidental or consequential damages (including loss of use, loss of profit and claims of third parties) however caused, whether by the negligence of Stanton or otherwise. To the extent permitted by law and except as otherwise provided above, Stanton disclaims any express or implied warranties of merchantability or fitness for a particular purpose.

The above warranty provides you with specific legal rights. You may also have additional rights, which are subject to variation from state to state and country to country.

If there is a dispute regarding the warranty of merchandise that does not fall under the warranty conditions stated above, please include a written explanation with the merchandise when returned pursuant to the terms and conditions set forth herein.

Please register your product online at www.stantondj.com or mail your completed warranty card to:

Stanton Magnetics, Inc, 3000 SW 42 St. Hollywood, Florida 33312.

STANTON WARRANTY REGISTRATION CARD

If you have internet access, please register your product at www.stantondj.com. Otherwise, return this card completely filled out in order to validate your warranty.

PERSONAL INFO

Name

Address

City **State** **Zip**

Country

Telephone

PRODUCT INFO

Model Number

Serial Number

Date of Purchase

Where did you buy this product?

cut along dotted line

**PLACE
STAMP
HERE**

**Stanton Magnetics, Inc.
3000 SW 42nd Street
Hollywood, FL 33312
U.S.A.**

Free Manuals Download Website

<http://myh66.com>

<http://usermanuals.us>

<http://www.somanuals.com>

<http://www.4manuals.cc>

<http://www.manual-lib.com>

<http://www.404manual.com>

<http://www.luxmanual.com>

<http://aubethermostatmanual.com>

Golf course search by state

<http://golfingnear.com>

Email search by domain

<http://emailbydomain.com>

Auto manuals search

<http://auto.somanuals.com>

TV manuals search

<http://tv.somanuals.com>