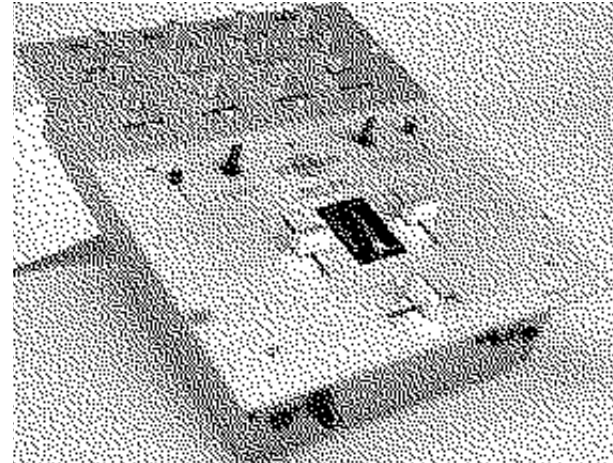


SK 6F  
PROFESSIONAL MIXER



OWNER'S MANUAL



STANTON MAGNETICS, LLC  
info@stantonmagnetics.com • (954) 929-8999  
www.stantonmagnetics.com

# TROUBLESHOOTING

Thank you for making Stanton your first choice in professional DJ mixers.

This innovative family of mixers has been developed with input from the professional DJ community, bringing to the marketplace a previously unavailable, affordable combination of user-friendly, functional design, rugged construction, and professional quality features.

Stanton and your authorized Stanton dealer are dedicated to your complete satisfaction by offering benchmark service and support throughout the long life of your Stanton product.

Again, we appreciate your patronage, and look forward to many years of making music together.

## PLEASE READ CAREFULLY BEFORE USE

FAILURE TO FOLLOW THE INSTRUCTIONS PRINTED BELOW MAY VOID WARRANTY

- Follow all security advice printed on your mixer
- When removing the unit's AC plug from the power source, grasp and pull the plug, NEVER the cord itself!
- Avoid placing your mixer near heat sources, such as power amplifiers.
- When in use, place your mixer on a stable surface, away from vibration. Always use care when carrying your mixer. Impact, or heavy vibration may compromise the unit's mechanical integrity. The manufacturer is not responsible for damage resulting from an impact, or misuse.
- When in use, place your mixer away from sources of hum or noise, such as transformers, or electric motors.
- To prevent overheating, always provide your mixer with adequate ventilation air space.
- Avoid stepping on your mixer's AC cord. Repeated compression of the cord may lead to electrical shorting.
- To avoid damage due to AC voltage peaks, always disconnect your mixer from the power source during electrical storms.
- Your mixer contains no user-serviceable parts. The manufacturer is not responsible for any damage or personal injury resulting from unauthorized user-servicing or modifications. In addition, the warranty will be void if any unauthorized service by the user is detected. Always return your mixer to an authorized Stanton dealer for servicing.

PROBLEM	CAUSE	SOLUTION
Excessive hum when using phono source.	Poor ground connection.	Properly connect turntable ground wire to mixer ground terminal.
Low frequency hum while operating source unit.	Poor AC source ground. Loose input/output connection. Shorted cable.	Properly ground the AC source. Check all input and output connections for secure fit. Isolate and replace damaged cable.
Program volume can't be adjusted with master volume control.	Amplifier or outboard gear connected to the record output.	Connect amplifier or outboard gear to master output.
No power.	Improperly connected AC cord or power line source not on.	Properly connect AC cord to AC power source. Turn power on.
The amplifier is turned up, but there is no signal.	Faulty output connections	Properly connect amplifier, or outboard gear to mixer.
	Improper level adjustment.	Properly set crossfader, channel faders, gain controls, and input selector toggles.
No signal in headphones.	Improper connection.	Check headphone connection to mixer. Tighten if necessary.
	Improper level or cue mix settings.	Adjust headphone level and cue mix to the proper level and channel settings.

# DESCRIPTION OF FUNCTIONS

**1. Mic level:** Controls the overall microphone output level.

**2. Send:** Controls the level of the effect send output. This is used to set the level of the signal going to the outboard effects processor or stomp box.

**3. Return:** Controls the level of the effect return input. This is used to control the level of the processed signal going back into the mixer.

**4. FX:** Effect ON/OFF for each channel, MIC, and cue.

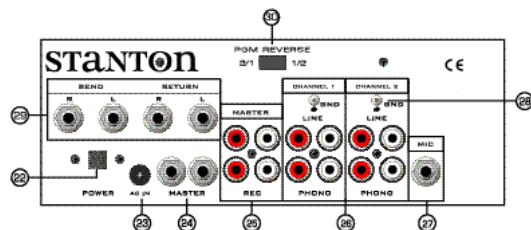
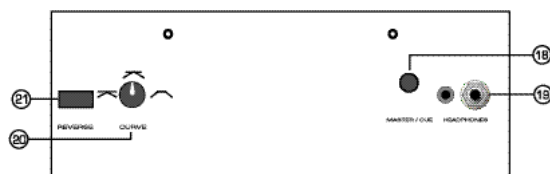
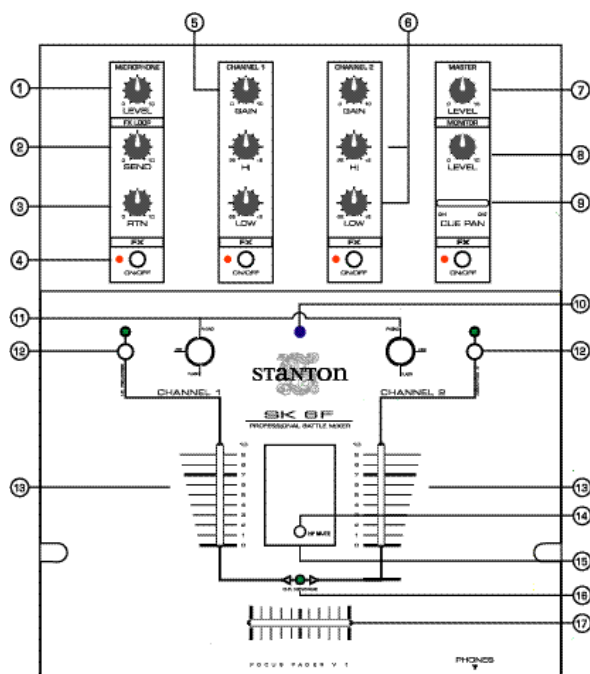
**5. Gain:** Controls the input level of each channel.

**6. EQ:** Individual controls for low and high frequency equalization with (+9/-26 dB) Note: Any changes made to EQ settings will change the overall output level.

**7. Master level:** Controls the overall signal output level.

**8. Headphone level:** Controls the overall headphone output level. It is recommended headphones with an impedance rating of 200 ohms or less be used for maximum volume.

**9. Cue pan:** Fades the headphone output between channels 1 and 2, effectively allowing the



user to preview a mix.

**10. Power indicator:** Blue LED indicates whether mixer is ON or OFF.

**11. Input selector switches:** Selects phono or line inputs. FLASH™ position allows users to quickly trigger the phono input.

**12. Input Fader Reverse:** Reverses the direction of each respective input channel fader. Includes bi-color LED to indicate the status of the reverse function. When LED is green, the fader is normal. When LED is red, the fader direction is reversed.

**13. Channel fader:** Controls the input channel level.

**14. Headphone mute:** Mutes the headphones without having to change its level.

**15. Input Level Meter:** Monitors each channel's input level with peak hold function

**16. Crossfader Reverse LED:** Bi-color LED indicates the status of the crossfader reverse function. When LED is green, the crossfader is normal. When LED is red, the crossfader direction is reversed.

**17. Crossfader:** Fades

the master output between channels 1 and 2.

**18. Cue select:** In "CUE" position, the pre-selected signal of control (9) will be monitored as a stereo signal in the headphones. In "MASTER" position, the pre-selected signal of controls (13) and (17) will be monitored as a stereo signal in the headphones.

**19. Headphone outputs:** Connection for 1/4" and 3.5mm headphone jacks. Recommended impedance is 32-200 ohms for maximum volume.

**20. Crossfader Curve adjustment:** Adjusts the shape of the crossfader curve from a quick cut for scratching and cutting to a longer fade for mixing.

**21. Crossfader Reverse:** Reverses the direction of the crossfader.

**22. Power switch:** Selects power "ON" or "OFF".

**23. Power supply connector:** Input connection for the accompanying power supply.

**24. Master output:** TRS balanced 1/4" master outputs.

**25. Outputs:** Record out and unbalanced master RCA.

**26. Inputs:** Line and

phono signal inputs for channels 1 and 2.

**27. Microphone input:** 1/4" connector

**28. Ground posts:** Connect to the turntables' ground connectors to eliminate electrical hum. Ground connectors are usually supplied with turntables.

**29. Send & return connections:** The send output is used to connect the mixer to the line input of your effects processor or sampler. The return input is used to feed the signal back from the line output of the outboard unit. This creates the effects loop.

**30. Program reverse:** Interchanges the outputs of channels 1 and 2.

## Notes on audio signal inputs/outputs:

Line inputs are used to connect to line level sources such as CD players, samplers, tape players, etc.

Phono inputs are used to connect to turntables.

Master output connects to an amplifier, EQ, crossover, or other out-board signal processing.

Record out connects to any line level recording device such as a tape deck, DAT, MD, etc....

## FADER CLEANING

The SK FOUR faders may need lubrication from time to time. This will extend the fader life and eliminate any potential damage due to extended heavy usage. Follow the instruction below the lubricate your faders:

1. Remove the 3 fader knobs and 4 screws located in the corners of the face plate and take the plate off the mixer.
2. Remove the fader to be cleaned by unscrewing the 2 outer screws (removing the 2 inner screws will detach the fader from the fader plate) and disconnect the cable coming from the mixer.
3. Spray a small amount of cleaner or lubricant into both ends of the fader and slide the fader back and forth a few times to spread the fluid evenly throughout the fader.
4. Shake and wipe off excess fluid before re-assembling the fader.

## ROTATING AND REPLACING THE INPUT SWITCHES

### ROTATING INSTRUCTIONS

1. Remove the PROTEKT™ panel (*Cleaning instructions step 1*)
2. Remove the 2 outer screws from the toggle switch plate (removing the 2 inner screws will detach the switch from the plate)
3. Rotate the plate to the desired position and tighten the screws back in the top and bottom holes

### REPLACING INSTRUCTIONS

1. Remove the PROTEKT™ panel (*Cleaning instructions step 1*)
2. Remove the 2 outer screws from the toggle switch plate (removing the 2 inner screws will detach the switch from the plate)
3. Remove the switch assembly and disconnect the cable coming from the mixer.
4. Set the replacement switch assembly in the desired position and place the screws back in the top and bottom holes.

## REPLACEMENT PARTS

To replace the cross or channel faders, follow steps 1 and 2 of the cleaning instructions. The following replacement parts are available from Stanton or your local Stanton dealer.

<b>LF-SK6</b>	Channel fader
<b>CF-SK6</b>	Crossfader
<b>CFF1</b>	Focus Fader
<b>PP-SK6F</b>	Silver face plate
<b>PP-SK6F-B</b>	Blue face plate
<b>PL-SK6</b>	Two way input toggle switch
<b>3PL-SK6</b>	Three way input toggle switch with FLASH
<b>PS-18US</b>	US Power Supply (110v)
<b>PS-18EU</b>	European Power Supply (220v)
<b>PS-18UK</b>	UK only Power Supply (240v)

## TECHNICAL SPECIFICATIONS

Line inputs:	2 (RCA), 150 mV / 27K ohm
Phono inputs:	2 (RCA), 3 mV / 47K ohm
Send:	2 (1/4"), 150 mV / 27K ohm
Return:	2 (1/4"), 775 mV / 1K ohm
DJ mic input:	1 (1/4 inch), 1.5 mV / 3K ohm
Master output:	1 (1/4" TRS Balanced/RCA unbalanced), 1.2 V / 100 ohm
Record output:	1 (RCA), 245 mV / 100 ohm
Headphone output:	1 (1/4 inch), 32 - 200 ohms recommended
Frequency Response:	20 Hz - 20 kHz, +/- 2 dB
Tone Control :	+ 9/-26 dB (Hi, Low)
Gain Control:	20dB / 1 Khz
S/N Ratio:	Less than 70dB
T.H.D:	less than 0.2%
Dimension(LxWxD):	12 3/8" x 10 1/4" x 4" ( 314 x 260 x 102 mm)
Weight:	7 lbs (3.2 Kg)

## WARRANTY

This unit has been designed and manufactured using quality components. Therefore, it is warranted to be free from defects in materials (limited as specified below), and workmanship for a period of twelve (12) months from the original purchase date. During this period, all service and parts necessary to repair a defect will be free of charge. This limited warranty applies to mechanical parts which are subject to wear and tear as specified:Faders, specified durability: 15,000 cycles; Rotary potentiometers, specified durability: 10,000 cycles; Switches, specified durability: 10,000 cycles. Consequently, the parts listed above are warranted to be free from defects in materials and workmanship for a period of thirty days (30) days from the original purchase date.

For the warranty to be valid, please complete the warranty registration card attached or fill out the online registration at [www.stantonmagnetics.com](http://www.stantonmagnetics.com)

Mail completed warranty cards to:  
*Stanton Magnetics, LLC*, 2821 Evans Street • Hollywood, FL 33020

## Free Manuals Download Website

<http://myh66.com>

<http://usermanuals.us>

<http://www.somanuals.com>

<http://www.4manuals.cc>

<http://www.manual-lib.com>

<http://www.404manual.com>

<http://www.luxmanual.com>

<http://aubethermostatmanual.com>

Golf course search by state

<http://golfingnear.com>

Email search by domain

<http://emailbydomain.com>

Auto manuals search

<http://auto.somanuals.com>

TV manuals search

<http://tv.somanuals.com>