



RCS BAGEL FAST CONVEYOR TOASTER

RCS Features/Benefits:

- ★ Holman's forced convection keeps the toaster cool to the touch and extends the life of critical components. The forced convection increases productivity by re-circulating pre-heated air into toasting chamber.
- ★ Calrod heaters provide consistent heating everytime you use it.
- ★ Space saving design - the forced convection system allows the unit to be placed against a wall. Other toasters have louvers requiring additional counter space.
- ★ High performance - RCS2-1200B produces up to 1200 bagel halves per hour.
- ★ Easy to use control panel takes the guesswork out of speed control settings.
- ★ Toasts bagels and English muffins in seconds!
- ★ Variable speed control for perfect color and texture of bagels and English muffins!
- ★ Energy efficient operation with power saver switch that reduces electricity consumption.
- ★ Extended conveyor belt for easy loading and large warming area for higher production.
- ★ Safe load up area with full width front burn guard and cool to the touch exterior.
- ★ "Smart" crumb tray keeps the breadcrumbs from falling under the toaster.
- ★ Heated holding area to keep toast at the perfect temperature.
- ★ Hi-limit switch prevents toaster from overheating protecting critical component parts.
- ★ 24 hours 7 days a week technical support by Star technicians.



RCS2-1200B

Applications:

The RCS2-1200B toasts bagels perfectly while saving time and money.

Quality Construction:

No matter how you slice it, Holman delivers high quality, reliable toasters. Stainless steel construction for long lasting durability. Heavy-duty motor, drive chain and conveyor speed control for superior reliability. Conveyor belt tension system for smooth and quiet operation. High performance Calrod heaters provide superior toasting performance and reliability. Units are easy to disassemble with one-piece cover for cleaning and service. Toasters are furnished with 1" adjustable legs and 4' cord.

Warranty:

Holman's conveyor toasters are covered by a one-year parts and labor warranty.



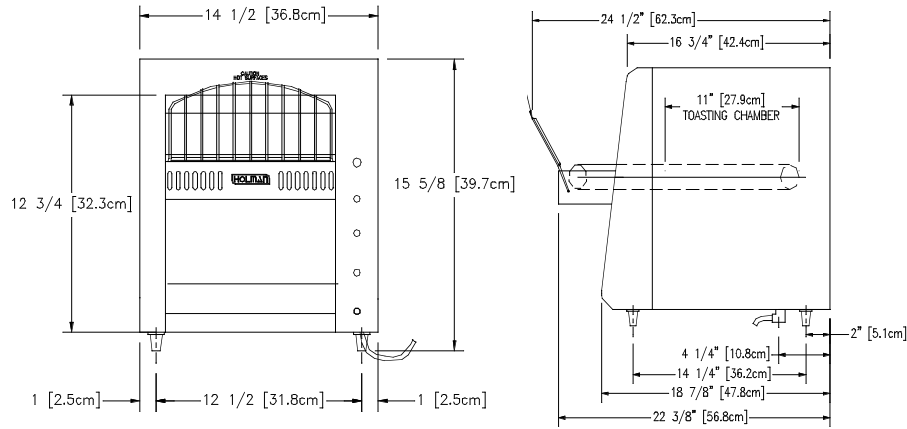
Star Manufacturing International, Inc. - 10 Sunnen Drive - P.O. Box 430129 - St. Louis, MO 63143-3800

Phone: (800) 264-7827 - FAX: (800) 264-6666 - www.star-mfg.com

H231/0116



RCS BAGEL FAST CONVEYOR TOASTER



Performance Data

Model No. RCS2-1200B	Production Capacities 1200 bagel halves per hour	Product Opening 1-1/2"
--------------------------------	--	----------------------------------

Specifications

Model No	Width Inches (cm)	Dimensions Depth Inches (cm)	Height Inches (cm)	Shipping Weight lbs. (kg)	Width Inches (cm)	Shipping Carton Depth Inches (cm)	Height Inches (cm)
RCS2-1200B	14-1/2 (36.8)	22-3/8 (56.8)	15-5/8 (39.7)	64 (140.8)	20 (50.8)	18-7/8 (47.9)	25-3/8 (64.4)

Electrical Data

Model No.	Volts	HZ 1 Phase	Amps	Watts	Heating Elements		NEMA
					Above Belt	Below Belt	
RCS2-1200B	208	60	15.9	3200	2	2	L6-20P
	240	60	13.8	3200	2	2	L6-20P
	220	50	15.0	3200	2	2	Not supplied with cord and plug

Typical Specifications

High performance Bagel Fast conveyor toaster is constructed of corrosion resistant stainless steel. Supplied with heavy-duty motor, drive chain and Calrod heaters. A conveyor belt tension system is supplied for a smooth, quiet operation. Unit is supplied with variable speed control, power saver and high limit switch. Extended conveyor belt, crumb tray, heated holding area and full width burn guard is standard. Unit has a one-piece cover for easy access with 1" adjustable legs and a 4' cord. Unit is listed with UL, CUL and are UL certified to NSF4. Patent number D459,140. Printed in the U.S.A.

Due to periodic changes in designs, methods, procedures, policies and regulations, the specifications contained in this sheet are subject to change without notice. While Star Manufacturing exercises good faith efforts to provide information that is accurate, we are not responsible for errors or omissions in information provided or conclusions reached as a result of using the specifications. By using the information provided, the user assumes all risks in connection with such use.

Star Manufacturing International, Inc. - 10 Sunnen Drive - P.O. Box 430129 - St. Louis, MO 63143-3800

Phone: (800) 264-7827 - FAX: (800) 264-6666 - www.star-mfg.com

Free Manuals Download Website

<http://myh66.com>

<http://usermanuals.us>

<http://www.somanuals.com>

<http://www.4manuals.cc>

<http://www.manual-lib.com>

<http://www.404manual.com>

<http://www.luxmanual.com>

<http://aubethermostatmanual.com>

Golf course search by state

<http://golfingnear.com>

Email search by domain

<http://emailbydomain.com>

Auto manuals search

<http://auto.somanuals.com>

TV manuals search

<http://tv.somanuals.com>