

**THERMAL RE-WRITABLE
CARD READER /WRITER**

TCP400 SERIES

**User 's Manual
Manuel d 'utilisation
Benutzerhandbuch
Manuale dell 'utente
Manual del usuario**



**Federal Communications Commission
Radio Frequency Interference
Statement**

This equipment has been tested and found to comply with the limits for a Class A digital device, pursuant to Part 15 of the FCC Rules. These limits are designed to provide reasonable protection against harmful interference when the equipment is operated in a commercial environment. This equipment generates, uses and can radiate radio frequency energy and, if not installed and used in accordance with the instruction manual, may cause harmful interference to radio communications. Operation of this equipment in a residential area is likely to cause harmful interference in which case the user will be required to correct the interference at his own expense.

For compliance with the Federal Noise Interference Standard, this equipment requires a shielded cable.
This statement will be applied only for the equipments marketed in U.S.A.

**Statement of
The Canadian Department of Communications
Radio Interference Regulations**

This digital apparatus does not exceed the Class A limits for radio noise emissions from digital apparatus set out in the Radio Interference Regulations of the Canadian Department of Communications.

Le présent appareil numérique n'émet pas de bruits radioélectriques dépassant les limites applicables aux appareils numériques de la classe A prescrites dans le Règlement sur le brouillage radioélectrique édicté par le ministère des Communications du Canada.

The above statement applies only to equipments marketed in Canada.

Trademark acknowledgments

TCP400: Star Micronics Co., Ltd.

Notice

- All rights reserved. Reproduction of any part of this manual in any form whatsoever, without STAR's express permission is forbidden.
- The contents of this manual are subject to change without notice.
- All efforts have been made to ensure the accuracy of the contents of this manual at the time of going to press. However, should any errors be detected, STAR would greatly appreciate being informed of them.
- The above notwithstanding, STAR can assume no responsibility for any errors in this manual.

TABLE OF CONTENTS

1. Precautions for Safe Use	1
2. Unpacking	3
3. External Appearance and Part Names	3
4. Connecting to External Devices	4
5. Connecting the Power Cord.....	5
6. Setting Fonts Using the Font Setting Card	6
7. Cleaning Cards	6
8. Troubleshooting	8
Appendixes	
A. Connection Settings	50
B. Removing / Installing Interface Board	52
C. Optional Ethernet Interface IFBD-HE05	53
D. General Specifications	54

This User's Manual describes important information to enable you to use the reader/writer safely.

Carefully read this manual before using the reader/writer and observe the descriptions herein.

CE

Manufacturer's Declaration of Conformity

EC Council Directive 89/336/EEC of 3 May 1989

This product has been designed and manufactured in accordance with the International Standards EN 61000-6-3/10.2001 and EN 55024/09.98 following the provisions of the Electro Magnetic Compatibility Directive of the European Communities as of May 1989.

EC Council Directive 73/23/EEC and 93/68/EEC of 22 July 1993

This product, has been designed and manufactured in accordance with the International Standards EN 60950-1, following the provisions of the Low Voltage Directive of the European Communities as of 2001.

The above statement applies only to products marketed in EU.

WEEE Statement

In the European Union, this label indicates that this product should not be disposed of with household waste. It should be deposited at an appropriate facility to enable recovery and recycling in accordance with legislation under the WEEE Directive (Directive 2002/96/EC).



1. Precautions for Safe Use

Always observe the following items.

Carefully read and obey the following items to prevent injury to yourself or to others and to prevent damaging property.

1-1. Precautions for Reader/Writer Setup


1. Setup the reader/writer in a solid, and level location.
2. Do not use or place the reader/writer in areas exposed to direct sunlight, or near heat sources.
3. Avoid using or storing the reader/writer in areas of high humidity.
Do not use or store liquids near the reader/writer.
4. Avoid using or storing the reader/writer in locations where there is dust or other air-borne particles.
5. Avoid using the reader/writer in locations where corrosive gases, ignition gases, chemicals or vapors are emitted.
6. Do not operate the reader/writer near devices which may produce magnetic fields or interference.
7. Do not get power from a circuit to which electrical devices that generate electrical noise are connected.
8. Connect a grounding wire to use this device safely.
9. Allow plenty of space around the reader/writer for ventilation.

1-2. Precautions for Reader/Writer Use


1. Use only Star recommended cards.
2. Do not use cards that are dirty or oily or wet in any other manner. Also, do not handle cards with dirty or wet hands. Do not apply tape or glue to cards.
3. Do not place cards near devices that generate magnetic fields (such as cellular telephones, speakers, televisions, etc.).
4. Do not place cards in direct sunlight or high temperature areas (such as dashboards in automobiles), as high temperatures can cause cards to bend or can erase the information recorded on cards.
5. Do not use bent cards, as this can cause them to become jammed in the reader/writer.
6. Insert cards in the indicated direction.
7. Never insert anything other than the appropriate cards into the reader/writer.

8. Do not obstruct the insertion or discharge path of the cards.
9. Do not cut the power while a card is being processed.
10. In case of reader/writer error (abnormal sounds, abnormal odors, smoke, fire) turn off the reader/writer immediately and unplug it from the power outlet.
11. Always hold the plug to unplug the power cord from its outlet. Pulling on the cord will damage the cord.
12. When disconnecting use for prolonged periods, always remove the power plug from the outlet.
13. Do not use the reader/writer in an environment where condensation has formed.
14. To ensure reader/writer reliability, clean the reader/writer everyday, or when the cleaning lamp has lit.
15. Avoid contact with the optional cleaning liquid. If it gets in your eyes, or is ingested, seek immediate medical assistance.
16. Do not disassemble or modify the reader/writer.
17. Do not expose cards to direct sunlight or fluorescent lights for extended periods of time.
18. If a card is to be reprinted, allow for at least three minutes between prints.

When printing repeatedly to different cards, no wait is required.

19.  This symbol is placed near the thermal print head and erase head to indicate that it may be hot.

Never touch the thermal print head and erase head immediately after the printer has been used. Let the thermal print head and erase head cool for a few minutes before touching it.

20.  This symbol is placed near the thermal print head and erase head to indicate that it is easily damaged.

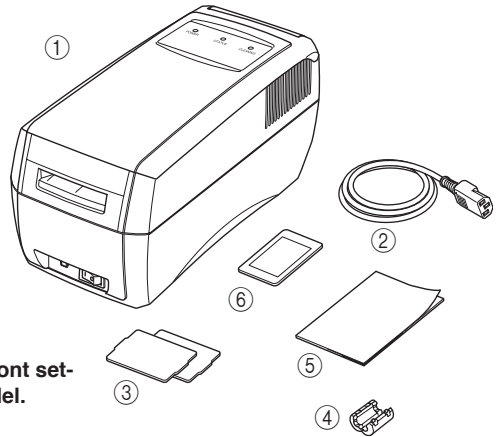
Observe the precautions for handling electrostatic sensitive devices.

21. Be careful not to drop paper clips, pins or other foreign matter into the unit as these cause the reader/writer to malfunction.
22. Do not open the cover while operating.
23. The reader/writer is equipped with a DC motor or switches which use electrical contacts. Please avoid using the reader/writer in an area where silicon gas is present.

2. Unpacking

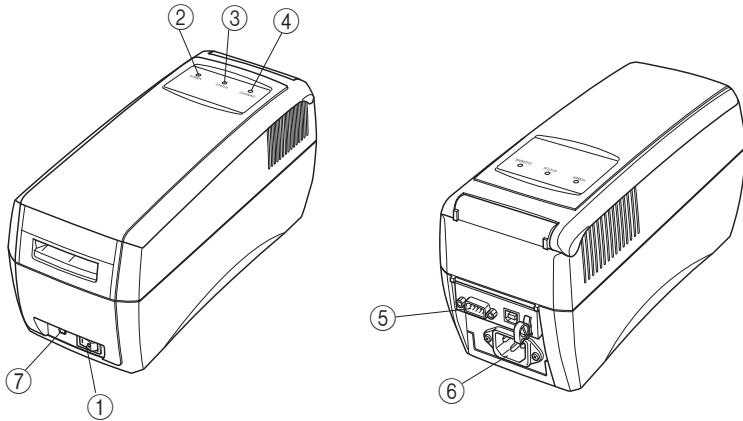
The following outlines the reader/writer and its accessories.

1. Reader/writer
2. Power cord
3. Cleaning cards (2 cards)
4. Ferrite core
5. This manual
6. Font setting card



Note :Whether there are a ferrite core and font setting card depends on the reader/writer model.

3. External Appearance and Part Names



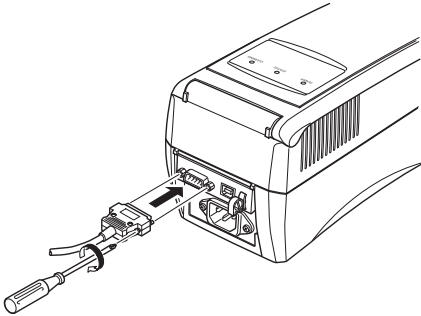
1. Power Switch This turns the power to the reader/writer on and off.
2. Power Lamp Indicates that reader/writer power is on.
3. Status Lamp Indicates printer ready, printing and errors.
4. Cleaning Lamp Indicates the reader/writer needs cleaning.
5. Interface Connector Connects to host computer via a cable.
6. AC Inlet Connects to accessory power cord.
7. Cleaning Switch Press the cleaning switch while turning the power on.
Insert a cleaning card dampened with alcohol to clean the reader/writer.

4. Connecting to External Devices

Connect either the RS-232C interface Cable or USB interface Cable to the reader/writer.

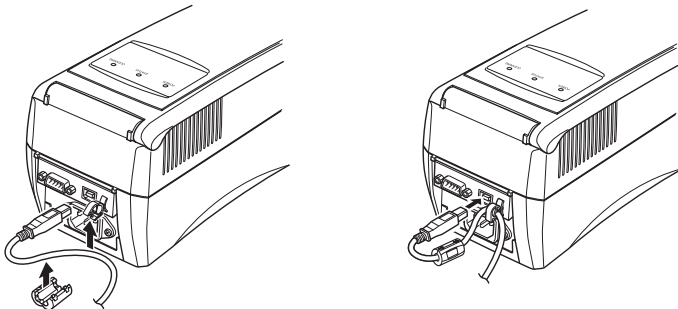
4-1 Mounting the RS-232C Interface Cable

1. Cut the power to the host computer and the reader/writer.
2. Connect one end of the interface cable to the reader/writer and the other end to the host computer.
3. Mount the accessory ferrite core to the interface cable.
4. Tighten the left and right screws on the connector.



4-2 Mounting the USB Interface Cable

1. Affix the ferrite core onto the USB cable as shown in the illustration below and make sure to pass the cable through the cable support as shown in the illustration.
2. Plug one end of the USB cable into the USB port on the back of the reader/writer.
3. Plug the other end of the USB cable into the USB port of the host computer.
4. If a driver for the reader/writer is required, use the media that was distributed by your agent to install the driver.

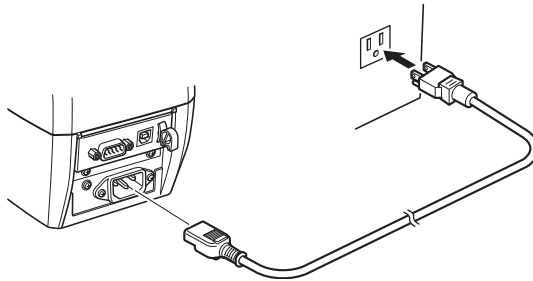


5. Connecting the Power Cord

1. Turn the power switch off.
2. Connect the power cord to the AC inlet on the backside of the reader/writer.
3. Insert the power cord plug into a properly grounded AC outlet.

Connect the grounding terminal to a metal portion (such as an outlet that has a grounding point) on a ground in the vicinity to use this reader/writer safely.

⚠ Caution: We recommend that you unplug the reader/writer from the power outlet whenever you do not plan to use it for long period. Because of this, you should locate the reader/writer so that the power outlet it is plugged into is nearby and easy to access.

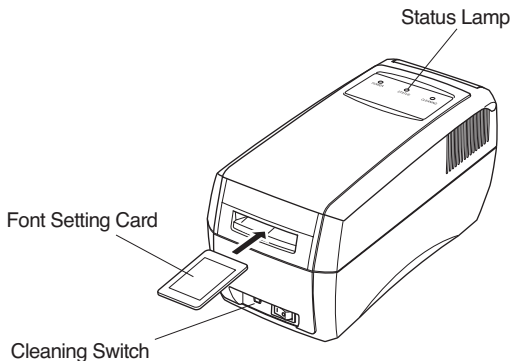


6. Setting Fonts Using the Font Setting Card

European, US and Korean bound models are provided a standard font setting card that is for their country. Before using the reader/writer, set the fonts according to the directions below.

<Procedures to Set Fonts>

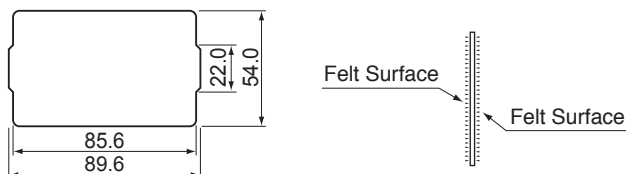
1. Turn the power ON while pressing the Cleaning switch.
2. The buzzer will ring and the green status lamp will flash. This indicates that the reader/writer has entered the "setting mode to use the setting card."
3. Insert the font setting card. The font setting information is automatically read from the magnetic strip. That new font setting information is then written to the internal memory.
4. When the new settings have been completed successfully, "COMPLETE!" is printed and the card is discharged. The reader/writer will then return to its normal operating status.



7. Cleaning Cards

A cleaning card is used to clean the transport rollers inside the unit. Two cleaning cards accompany each unit. They are in the plastic wrap.

7-1 External Shape



7-2 Frequency of Use

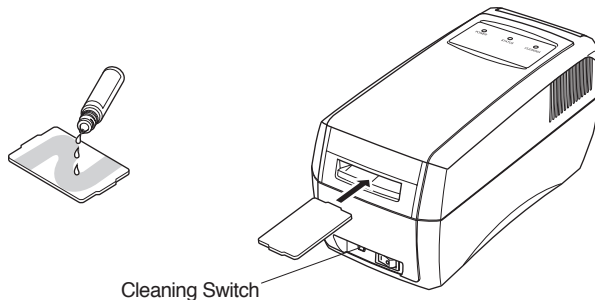
1. Everyday, or once every 300 prints.
2. If errors occur repeatedly, or if there are printing problems, clean the reader/writer.
3. The cleaning LED will flash when there have been 300 printings. Clean the reader/writer when this flashes.

7-3 How to Use

Use the following procedures to clean the reader/writer.

1. Press the cleaning switch.
2. Dampen the felt surfaces (both side) of a cleaning card with optional cleaning liquid.
3. Insert the cleaning card from the normal card insertion inlet.
4. Allow the reader/writer to sit for approximately one minute before using again, to allow it to dry.

- Note:**
1. **Do not use bent cleaning cards. Using bent cards can cause them to become jammed.**
 2. **A cleaning fluid is not supplied with the unit. Therefore, an optional cleaning fluid or a commercially available ethanol (85% minimum purity) must be obtained. To obtain the optional cleaning fluid, contact your sales agent.**
 3. **The attached cleaning card attains its cleaning effectiveness by absorbing a cleaning fluid before use. Make sure to allow it to absorb a cleaning fluid before using it for cleaning.**
 4. **Make sure to use ethanol with a minimum purity of 85%. If ethanol with a lower purity is used, it will take the cleaning card a longer time to dry. If an undried cleaning card is inserted into the slot, it could cause a malfunction, such as card slippage.**
 5. **Cleaning cards can be used approximately 30 times. Contact your sales agent if they are damaged or excessively dirty.**



8. Troubleshooting

8-1. Trouble when Turning on the Power

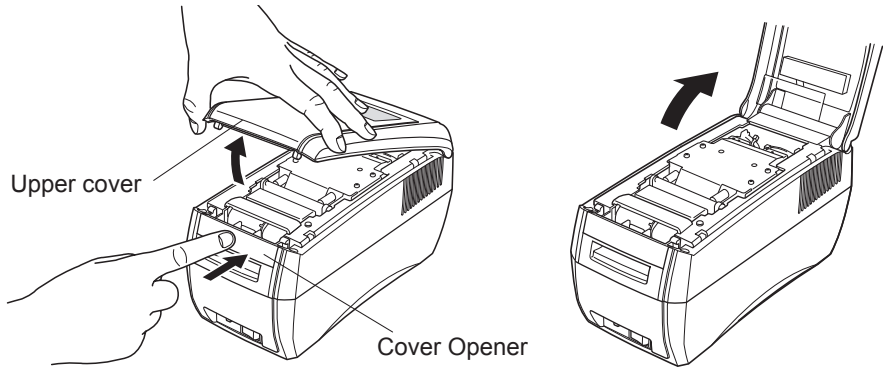
Symptom		Possible Cause	What to Do
The power lamp does not light.	Won't accept cards.	The power cord is not correctly connected.	Correct connect the power cord.
		Broken wire in power cord. Broken wire in fuse.	Contact your dealer.
	Accepts cards.	Display LED burned out.	
The power lamp lights.	Won't accept cards.	Reader/writer error.	Use a normal card.
	Accepts cards but reader/writer operating incorrectly.	Bad Card Card damaged, bent, data erased on card, or other user card.	
		Head is dirty.	Clean using a cleaning card.
		Composing system is not operating normally.	Contact your dealer.
	Reader/writer error.		

8-2. Trouble when Operating

Symptom	Possible Cause	What to Do
Cards are not discharged.	Card is jammed.	Turn on power to reader/writer again. If cards are still not discharged, turn off the power and open the upper cover. Then, pull the snap lever to raise the upper portion of the mechanism to remove the card.
Reading/Writing errors occur	Inappropriate card.	Use the recommended card.
	Using other card type.	Use the correct card.
	Card data erased by magnet.	Issue a new card.
	Card is bent.	
	Card is damaged.	
Head is dirty.	Clean using a cleaning card.	

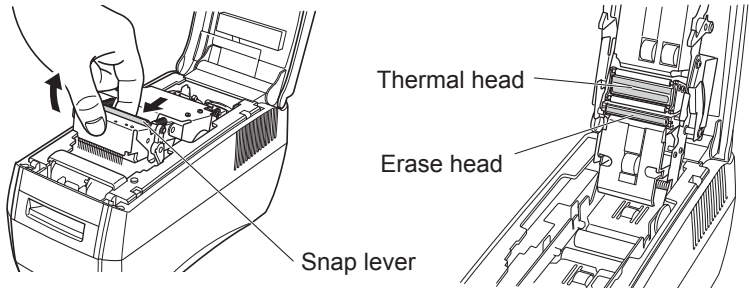
8-3. Removing Jammed Cards

1. Turn off the power and unplug the reader/writer.
2. Press the cover opener.
3. Lift the upper cover while the cover is open.



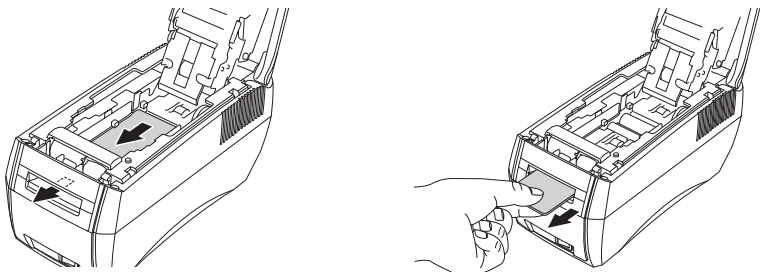
4. While pulling the mechanism's snap lever (green), lift the mechanism.

Note: Do not touch the thermal head or erasing head. There is the danger of getting burned.



5. Remove the card while the cover is open.

Caution: Trying to remove the card by forcibly pulling it will damage internal parts such as the card guides. Remove the card by pushing it along the card guides and out of the card inlet.



6. Return the mechanism to its original position.
7. Close the upper cover.

TABLE DES MATIERES

1.	Précautions pour une utilisation en toute sécurité.....	11
2.	Déballage	13
3.	Aspect extérieur et noms des éléments	13
4.	Connexion à des périphériques externes.....	14
5.	Connexion du câble d'alimentation	15
6.	Paramétrage des polices à l'aide de la carte de paramétrage des polices	16
7.	Cartes de nettoyage.....	16
8.	Dépannage.....	18
	Appendice.....	50

L'appendice n'est pas traduit.

Ce manuel d'utilisation contient des informations importantes qui vous permettent d'utiliser le lecteur/graveur en toute sécurité.

Veuillez lire attentivement ce manuel avant d'utiliser votre lecteur/graveur et tenez compte des descriptions.

CE

Déclaration de conformité du fabricant

Directive du Conseil 89/336/CEE du 3 mai 1989

Ce produit a été conçu et fabriqué conformément aux normes internationales EN 61000-6-3/2001 et EN 55024/1998, en vertu des dispositions de la Directive sur la compatibilité électro-magnétique des Communautés européennes de mai 1989.

Directives du Conseil 73/23/CEE et 93/68/CEE du 22 juillet 1993

Ce produit a été conçu et fabriqué conformément à la norme internationale EN 60950-1, en vertu des dispositions de la Directive sur la basse tension des Communautés européennes de 2001.

L'instruction ci-dessus ne s'applique qu'aux appareils commercialisées dans l'UE.

Déclaration WEEE

Dans l'union européenne (U.E.), cette étiquette indique que ce produit ne doit pas être jeté avec les déchets ménagers. Il doit être déposé dans un container approprié permettant la récu-pération et le recyclage en accord avec les directives WEEE de la législation européenne (Directive 2002/96/EC).



1. Précautions pour une utilisation en toute sécurité

Conformez-vous toujours aux points suivants.



Lisez attentivement les points suivants et respectez-les afin d'éviter tout dommage, corporel ou matériel.

1-1. Précautions relatives à l'installation du lecteur/graveur

1. Installez le lecteur/graveur sur une surface stable et de niveau.
2. N'utilisez pas et ne placez pas le lecteur/graveur à un endroit directement exposé aux rayons du soleil ou proche d'une source de chaleur.
3. Evitez d'utiliser ou de stocker le lecteur/graveur dans un endroit soumis à un taux d'humidité élevé.
N'utilisez pas et ne stockez pas de substances liquides à proximité du lecteur/graveur.
4. Evitez d'utiliser ou de stocker le lecteur/graveur dans un endroit poussiéreux ou comportant des particules en suspension dans l'air.
5. Evitez d'utiliser le lecteur/graveur dans un endroit où des gaz corrosifs, des gaz inflammables, des produits chimiques ou des vapeurs peuvent être émis.
6. N'utilisez pas le lecteur/graveur à proximité d'appareils susceptibles de produire des champs magnétiques ou des interférences.
7. Ne branchez pas l'appareil à un circuit auquel sont connectés des appareils électriques générant des parasites d'origine électrique.
8. Connectez un fil de mise à la terre à l'appareil pour l'utiliser en toute sécurité.
9. Laissez un espace conséquent autour du lecteur/graveur pour l'aération.

1-2. Précautions relatives à l'utilisation du lecteur/graveur

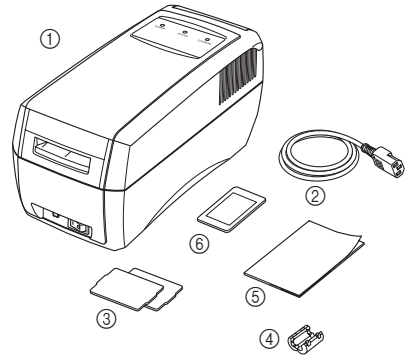
1. N'utilisez que les cartes Star recommandées.
2. N'utilisez en aucun cas des cartes encrassées, graisseuses ou humides. De même, ne manipulez pas les cartes avec des mains sales ou humides. Ne mettez pas de bande adhésive ni de colle sur les cartes.
3. Ne placez pas les cartes à proximité d'appareils générant des champs magnétiques (tels que des téléphones portables, des enceintes, des téléviseurs, etc.).
4. N'exposez pas les cartes aux rayons directs du soleil ni à des températures élevées (comme le tableau de bord d'un véhicule). Sous l'effet de la chaleur, elles pourraient se plier ou les informations qu'elles contiennent pourraient être effacées.
5. N'utilisez pas de cartes pliées car elles risquent de se coincer dans le lecteur/graveur.
6. Insérez les cartes dans le sens indiqué.

7. N'insérez aucun autre objet que les cartes appropriées dans le lecteur/graveur.
8. N'obstruez pas la fente d'insertion ou de libération des cartes.
9. Ne coupez pas l'alimentation lorsqu'une carte est en cours de traitement.
10. En cas de problème au niveau du lecteur/graveur (odeurs ou bruits anormaux, fumée, feu), mettez-le immédiatement hors tension et débranchez-le.
11. Tenez toujours la fiche lorsque vous retirez le câble d'alimentation de la prise. Si vous tirez directement sur le câble, vous risquez de l'endommager.
12. Lorsque vous n'utilisez pas l'appareil pendant une période prolongée, débranchez-le.
13. N'utilisez pas le lecteur/graveur dans un environnement où de la condensation s'est formée.
14. Afin d'assurer la fiabilité du lecteur/graveur, nettoyez-le chaque jour ou lorsque le témoin de nettoyage s'allume.
15. Évitez tout contact avec le liquide de nettoyage optionnel. En cas de contact avec les yeux ou d'ingestion, contactez immédiatement un médecin.
16. Ne démontez pas et ne modifiez pas le lecteur/graveur.
17. N'exposez pas les cartes aux rayons directs du soleil ou à des lumières fluorescentes pendant une période prolongée.
18. Si une carte doit être rééditée, attendez au moins trois minutes entre chaque impression.
Dans le cas d'une impression répétitive de différentes cartes, aucun temps d'attente n'est nécessaire.
19.  Ce symbole est placé près de la tête d'impression thermique et de la tête d'effacement.
Ne touchez jamais la tête d'impression thermique ni la tête d'effacement tout de suite après avoir utilisé l'imprimante.
Laissez la tête d'impression thermique ou la tête d'effacement refroidir pendant quelques minutes avant de les toucher.
20.  Ce symbole est placé près de la tête d'impression thermique et de la tête d'effacement.
Ne touchez jamais la tête d'impression thermique ni la tête d'effacement directement pour ne pas endommager ces dispositifs qui sont sensibles à l'électricité statique.
21. Veillez à ne pas laisser tomber de trombones, punaises ou autres objets dans le lecteur/graveur. Un dysfonctionnement pourrait en résulter.
22. N'ouvrez pas le capot pendant le fonctionnement de l'appareil.
23. Évitez d'utiliser le lecteur/graveur dans un endroit contenant du gaz de silicium car l'appareil est équipé d'un moteur à courant continu ou de commutateurs qui utilisent des contacts électriques.

2. Déballage

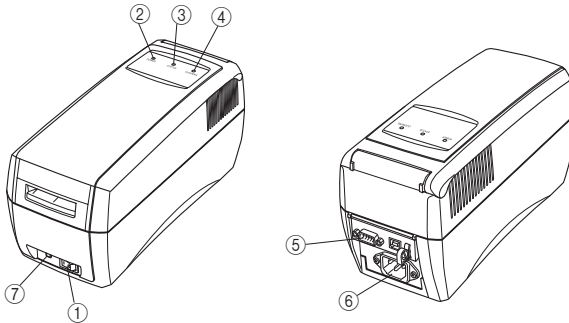
Les points suivants décrivent brièvement le lecteur/graveur et ses accessoires.

1. Lecteur/graveur
2. Câble d'alimentation
3. Cartes de nettoyage (2)
4. Tore magnétique
5. Le présent manuel
6. Carte de paramétrage des polices



Remarque : la présence d'un tore magnétique et d'une carte de paramétrage des polices dépend du modèle du lecteur/graveur.

3. Aspect extérieur et noms des éléments



1. Commutateur d'alimentation
2. Témoin alternatif
3. Témoin état
4. Témoin nettoyage
5. Connecteur d'interface
6. Entrée secteur
7. Commutateur de nettoyage

Il permet de mettre le lecteur/graveur sous/hors tension.

Indique que le lecteur/graveur est sous tension.

Indique que l'imprimante est prête, en fonctionnement ou rencontre un problème.

Indique que le lecteur/graveur a besoin d'être nettoyé.

Connecte l'appareil à l'ordinateur hôte via un câble.

Connecte l'appareil au câble d'alimentation annexe.

Appuyez sur le commutateur de nettoyage lors de la mise sous tension.

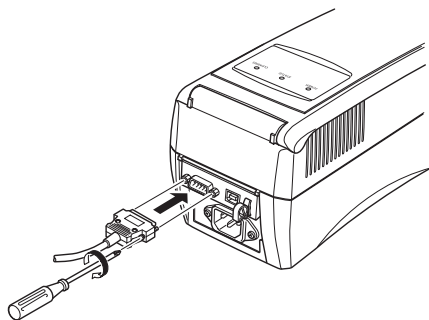
Insérez une carte de nettoyage humidifiée d'alcool pour nettoyer le lecteur/graveur.

4. Connexion à des périphériques externes

Connectez le câble d'interface RS-232C ou le câble d'interface USB au lecteur/graveur.

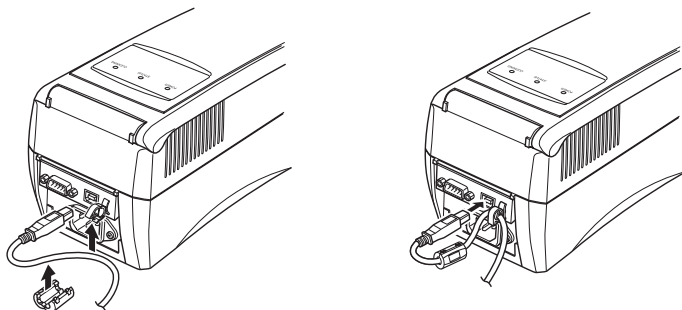
4-1 Installation du câble d'interface RS-232C

1. Coupez l'alimentation de l'ordinateur hôte et du lecteur/graveur.
2. Connectez l'une des extrémités du câble d'interface au lecteur/graveur et l'autre à l'ordinateur hôte.
3. Installez le tore magnétique sur le câble d'interface.
4. Serrez les vis gauche et droite du connecteur.



4-2 Installation du câble d'interface USB

1. Fixez le tore de ferrite sur le câble USB comme indiqué sur le schéma ci-dessous et veillez à bien acheminer le câble par le guide de câble comme indiqué sur le schéma.
2. Branchez l'extrémité du câble USB dans le port USB du lecteur/enregistreur.
3. Branchez l'autre du câble USB dans le port USB de l'ordinateur principal.
4. Si le lecteur/graveur nécessite un pilote, utilisez le contenu multimédia distribué par votre revendeur pour l'installer.

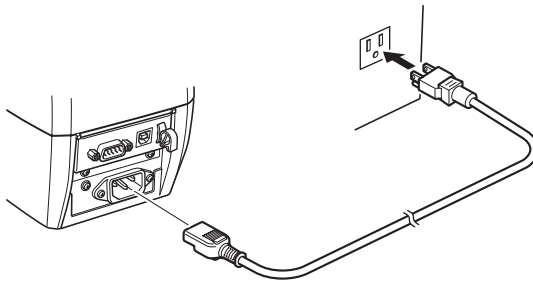


5. Connexion du câble d'alimentation

1. Mettez l'appareil hors tension.
2. Connectez le câble d'alimentation à l'entrée secteur située à l'arrière du lecteur/graveur.
3. Insérez la fiche du câble d'alimentation dans une prise secteur reliée à la terre.

Reliez la borne de mise à la terre à un élément métallique (tel qu'une prise disposant d'une prise de masse) mis à la terre à proximité afin d'utiliser le lecteur/graveur en toute sécurité.

⚠ Attention : Nous recommandons de débrancher le lecteur/graveur à chaque non-utilisation prolongée. Vous devez donc positionner le lecteur/graveur de manière à ce que la prise de courant à laquelle il est branché soit facilement accessible.

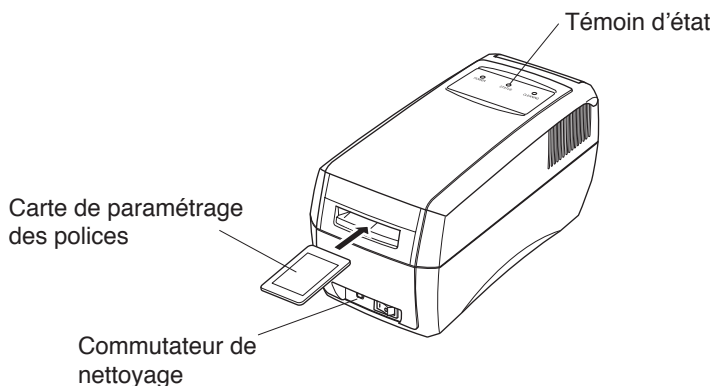


6. Paramétrage des polices à l'aide de la carte de paramétrage des polices

Les modèles européens, américains et coréens proposent une carte de paramétrage des polices standard propre à leur pays. Avant d'utiliser le lecteur/graveur, paramétrez les polices en respectant les instructions ci-dessous.

<Procédures de paramétrage des polices>

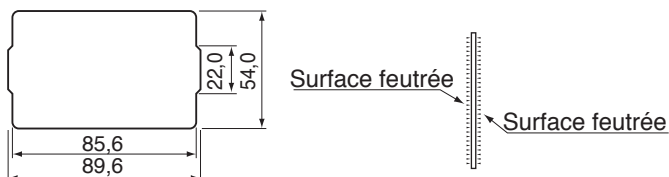
1. Mettez l'appareil sous tension tout en appuyant sur le commutateur de nettoyage.
2. L'avertisseur sonore retentit alors et le témoin d'état vert clignote. Ceci indique que le lecteur/graveur est en "mode de paramétrage pour carte de paramétrage".
3. Insérez la carte de paramétrage des polices. Les informations relatives au paramétrage des polices sont lues automatiquement par la bande magnétique. Ces nouvelles informations sont alors enregistrées dans la mémoire interne.
4. Une fois les nouveaux réglages appliqués, le terme "COMPLETE!" est imprimé et la carte est libérée. Le lecteur/graveur reprendra ensuite son fonctionnement normal.



7. Cartes de nettoyage

Une carte de nettoyage permet de nettoyer les rouleaux de transport à l'intérieur de l'unité. Chaque unité dispose de deux cartes de nettoyage. Elles se présentent sous emballage plastique.

7-1 Aspect extérieur



7-2 Fréquence d'utilisation

1. Quotidienne ou toutes les 300 impressions.
2. Si des erreurs ou des problèmes d'impression surviennent de manière récurrente, nettoyez le lecteur/graveur.
3. Le voyant de nettoyage clignote lorsque les 300 impressions sont atteintes. Nettoyez le lecteur/graveur à ce moment.

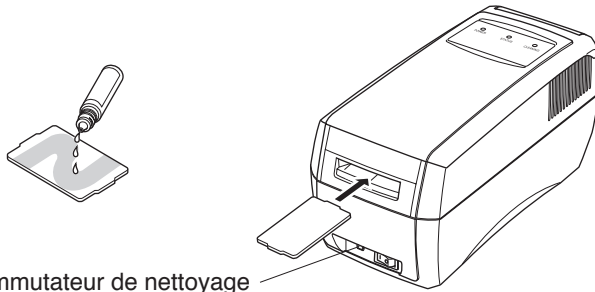
7-3 Procédure de nettoyage

Respectez les procédures suivantes pour nettoyer le lecteur/graveur.

1. Appuyez sur le commutateur de nettoyage.
2. Humidifiez les surfaces feutrées (des deux côtés) d'une carte de nettoyage avec du liquide de nettoyage optionnel.
3. Insérez la carte de nettoyage dans la fente d'insertion de carte normale.
4. Laissez le lecteur/graveur tel quel pendant environ une minute avant de l'utiliser de nouveau, afin de lui permettre de sécher.

Remarques : 1. **N'utilisez pas de cartes de nettoyage pliées. Elles risquent de se coincer lors de leur utilisation.**

2. **Le liquide de nettoyage n'est pas fourni avec l'unité. Par conséquent, vous devez vous procurer un liquide de nettoyage des accessoires ou un produit de nettoyage à base d'éthanol (à 85% minimum) disponible dans le commerce. Vous pouvez vous procurer le liquide de nettoyage des accessoires auprès de votre point de vente habituel.**
3. **Pour être efficace, la carte de nettoyage fournie doit absorber le liquide de nettoyage avant le nettoyage. Veillez à ce que la carte absorbe le liquide avant de procéder au nettoyage.**
4. **Le liquide de nettoyage doit contenir 85% d'éthanol minimum. Si vous utilisez un produit contenant moins de 85% d'éthanol, la carte de nettoyage séchera moins vite. Si vous insérez une carte humide dans la fente, vous pourriez provoquer un dysfonctionnement dû à un glissement de la carte par exemple.**
5. **Les cartes de nettoyage peuvent servir environ 30 fois. Contactez votre revendeur si elles sont endommagées ou excessivement encrassées.**



8. Dépannage

8-1. Problème lors de la mise sous tension

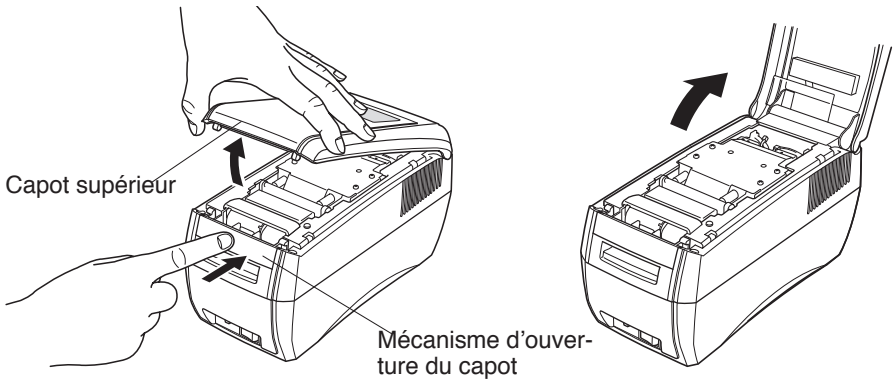
Symptôme		Cause possible	Action
Le témoin d'alimentation ne s'allume pas.	N'acceptera pas les cartes.	Le Câble d'alimentation n'est pas connecté correctement.	Corrigez la connexion de câble d'alimentation.
		Fil rompu au câble d'alimentation. Fil rompu du fusible.	Contactez votre revendeur.
	Accepte les cartes.	Voyant d'affichage grillé.	
Le témoin d'alimentation s'allume.	N'acceptera pas les cartes.	Erreur de lecteur/graveur.	Utilisez une carte normale.
	Le lecteur/ graveur accepte les cartes mais ne fonctionne pas correctement.	Carte inappropriée Carte endommagée ou pliée, données supprimées sur la carte ou autre carte utilisateur.	
		Tête encrassée.	Nettoyez l'unité à l'aide d'une carte de nettoyage.
		Le système de composition ne fonctionne pas normalement.	Contactez votre revendeur.
		Erreur de lecteur/graveur.	

8-2. Problème de fonctionnement

Symptôme	Cause possible	Action
Les cartes ne sont pas libérées.	Carte coincée.	Mettez de nouveau le lecteur/ graveur sous tension. Si les cartes restent emprisonnées, mettez l'appareil hors tension et ouvrez le capot supérieur. Tirez ensuite sur le levier de sécurité afin de lever la partie supérieure du mécanisme et de retirer la carte.
Des erreurs de lecture/ écriture apparaissent.	Carte inappropriée.	Utilisez la carte recommandée.
	Utilisation d'un autre type de carte.	Utilisez la carte appropriée.
	Données de la carte supprimées à cause d'un aimant.	Prenez une nouvelle carte.
	Carte pliée.	
	Carte endommagée.	
	Tête encrassée.	Nettoyez l'unité à l'aide d'une carte de nettoyage.

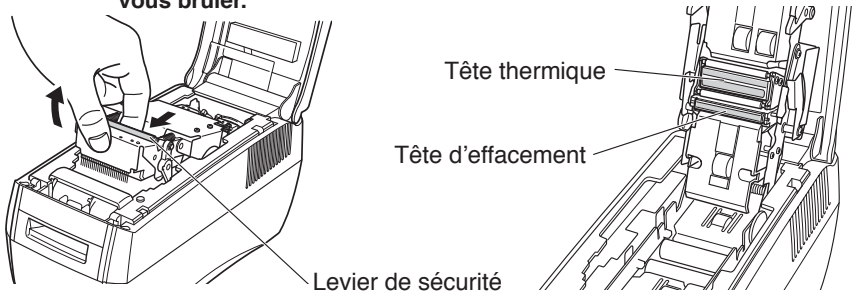
8-3. Retrait des cartes coincées

1. Mettez le lecteur/graveur hors tension et débranchez-le.
2. Appuyez sur le mécanisme d'ouverture du capot.
3. Soulevez le capot supérieur une fois ouvert.



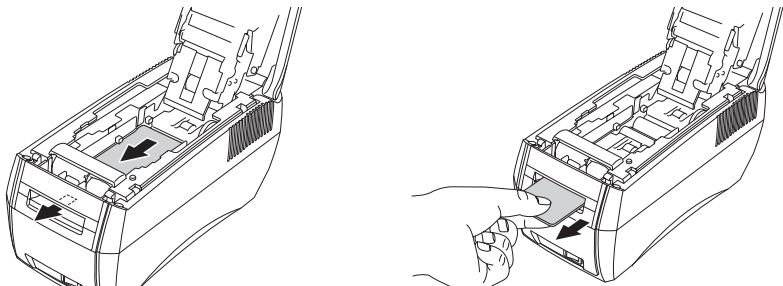
4. Tout en tirant sur le levier de sécurité (vert), soulevez le mécanisme.

Remarque : Ne touchez ni la tête thermique ni la tête d'effacement. Vous pourriez vous brûler.



5. Retirez la carte lorsque le capot est ouvert.

Attention: Ne pas tenter de sortir la carte en tirant avec force sur celle-ci, sous peine d'endommager les pièces internes, comme les guides de carte. Retirer la carte en la faisant glisser dans les guides et en la sortant par la ente 'ouverture.



6. Replacez le mécanisme dans sa position d'origine.
7. Fermez le capot supérieur.

INHALT

1. Sicherheitsvorkehrungen.....	21
2. Auspacken.....	23
3. Äußere Merkmale und Bezeichnungen der Teil	23
4. Anschluss externer Geräte.....	24
5. Anschließen des Netzkabels.....	25
6. Font-Einstellung mit der Font-Einstellkarte	26
7. Reinigungskarten	26
8. Fehlerbehebung	28
Anhang	50

Der Anhand dieser Bedienungsanleitung ist nur in englischer Sprache.

Dieses Benutzerhandbuch enthält wichtige Informationen zur sicheren Verwendung des Lese-Schreib-Geräts.

Lesen Sie dieses Handbuch vor der Verwendung des Lese-Schreib-Geräts aufmerksam durch und befolgen Sie die darin enthaltenen Anwei-

CE

Konformitätserklärung des Herstellers

Richtlinie 89/336/EWG des EG-Rates vom 3. Mai 1989

Dieses Produkt wurde nach den internationalen Normen EN 61000-6-3/2001 und EN 55024/1998 entwickelt und hergestellt, gemäß den Bestimmungen der Richtlinie zur elektromagnetischen Verträglichkeit der Europäischen Gemeinschaften vom Mai 1989.

Richtlinie 73/23/EWG und 93/68/EWG des EG-Rates vom 22. Juli 1993

Dieses Produkt wurde nach der internationalen Norm EN 60950-1 entwickelt und hergestellt, gemäß den Bestimmungen der Niederspannungsrichtlinie der Europäischen Gemeinschaften von 2001.

Die oben stehende Erklärung gilt nur für in der EU verkaufte Geräte.

WEEE Angabe

In der Europäischen Union dient dieses Symbol als Hinweis dieses Produkt nicht im normalen Hausmüll zu entsorgen. Die Entsorgung sollte als getrennte Sammlung über geeignete Einrichtungen/Sammelstellen zum Recycling nach WEEE-Vorschrift (EU-Richtlinie 2002/96/EC) erfolgen.



1. Sicherheitsvorkehrungen

Beachten Sie stets die folgenden Punkte.



Lesen Sie die folgenden Anweisungen sorgfältig durch, um Verletzungen an sich selbst und anderen Personen sowie Sachschäden zu vermeiden.

1-1. Sicherheitsvorkehrungen für die Installation des Lese-Schreib-Geräts

1. Stellen Sie das Lese-Schreib-Gerät auf eine feste, ebene Oberfläche.
2. Setzen Sie das Lese-Schreib-Gerät keiner direkten Sonneneinstrahlung und keinen hohen Temperaturen aus (z.B. neben offenem Feuer oder anderen Wärmequellen).
3. Das Gerät darf nicht an Orten mit hoher Luftfeuchtigkeit verwendet oder gelagert werden.
Vermeiden Sie die Verwendung oder Lagerung von Flüssigkeiten in der Nähe des Lese-Schreib-Geräts.
4. Verwenden Sie das Lese-Schreib-Gerät möglichst nicht an Orten, an denen Staub oder andere Schwebstoffe vorhanden sind.
5. Verwenden Sie das Lese-Schreib-Gerät nicht an Orten, an denen ätzende oder feuergefährliche Gase, Chemikalien oder Dämpfe ausströmen.
6. Verwenden Sie das Gerät nicht in der Nähe von Objekten, die ein Magnetfeld oder elektrische Interferenzen erzeugen.
7. Das Lese-Schreib-Gerät sollte an keine Stromquelle angeschlossen werden, mit der auch Elektrogeräte, die elektrische Interferenzen erzeugen, verbunden sind.
8. Schließen Sie ein Erdungskabel an, um den sicheren Betrieb dieses Geräts zu gewährleisten.
9. Stellen Sie sicher, dass um das Lese-Schreib-Gerät herum genügend Platz für Luftzirkulation vorhanden ist.

1-2. Sicherheitsvorkehrungen für die Verwendung des Lese-Schreib-Geräts

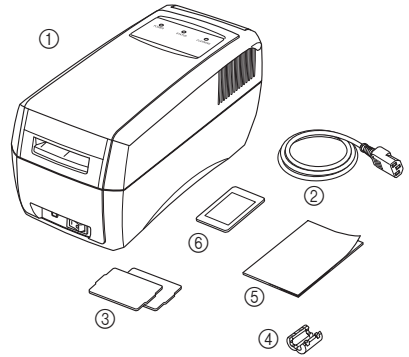
1. Verwenden Sie nur von Star empfohlene Karten.
2. Verwenden Sie keine Karten, die verunreinigt, ölig oder durch andere Flüssigkeiten nass geworden sind. Fassen Sie die Karten nur mit sauberen, trockenen Händen an. Versehen Sie die Karten nicht mit Klebefilm oder Klebstoff.
3. Bewahren Sie die Karten nicht in der Nähe von Geräten auf, die Magnetfelder erzeugen (z.B. Mobiltelefone, Lautsprecher, Fernsehgeräte).
4. Bewahren Sie Karten nicht an Orten auf, die direktem Sonnenlicht ausgesetzt sind oder an denen hohe Temperaturen entstehen können (z.B. auf dem Armaturenbrett eines Fahrzeugs). Dies kann zu Verbiegungen der Karten oder zum Verlust der darauf gespeicherten Daten führen.
5. Verwenden Sie keine verbogenen Karten. Solche Karten könnten sich im Gerät verklemmen.

6. Stecken Sie die Karten nur in der angegebenen Richtung in das Gerät ein.
7. Stecken Sie niemals andere Gegenstände als geeignete Karten in das Gerät ein.
8. Behindern Sie nicht den Einführungs- oder Ausgabebeweg der Karten.
9. Unterbrechen Sie während der Verarbeitung einer Karte nicht die Stromversorgung.
10. Bei Fehlern des Lese-Schreib-Geräts (abnormale Geräusche oder Gerüche, Rauch, Feuer) sofort das Lese-Schreib-Gerät ausschalten und den Netzstecker ziehen.
11. Ziehen Sie zum Lösen des Netzsteckers aus der Steckdose niemals am Kabel, sondern direkt am Stecker. Ein Ziehen am Kabel kann zu Beschädigungen des Kabels führen.
12. Ziehen Sie stets den Netzstecker aus der Steckdose, wenn das Gerät längere Zeit nicht verwendet wird.
13. Verwenden Sie das Lese-Schreib-Gerät nicht in Umgebungen, in denen Kondenswasserbildung aufgetreten ist.
14. Um zu gewährleisten, dass das Lese-Schreib-Gerät zuverlässig arbeitet, sollte es täglich bzw. bei Aufleuchten des Reinigungslämpchens gereinigt werden.
15. Vermeiden Sie den Kontakt mit der optionalen Reinigungsflüssigkeit. Bei Augenkontakt oder Verschlucken begeben Sie sich sofort in medizinische Behandlung.
16. Niemals das Lese-Schreib-Gerät zerlegen oder modifizieren.
17. Setzen Sie Karten nicht über längere Zeit hinweg hellem Sonnen- oder Leuchtstoffröhrenlicht aus.
18. Wenn Sie eine Karte mehrmals bedrucken möchten, müssen mindestens drei Minuten zwischen den einzelnen Druckvorgängen liegen.
Beim Bedrucken verschiedener Karten ist keine Wartezeit zwischen den einzelnen Druckvorgängen erforderlich.
19.  Dieses Symbol befindet sich in der Nähe des Thermal-Druckkopfes und Löschkopfes.
Berühren Sie nie den Thermal-Druckkopf oder Löschkopf sofort nach der Verwendung des Druckers.
Lassen Sie den Thermal-Druckkopf und den Löschkopf vor dem Berühren einige Minuten lang abkühlen.
20.  Dieses Symbol befindet sich in der Nähe des Thermal-Druckkopfes und Löschkopfes.
Berühren Sie den Thermal-Druckkopf oder Löschkopf niemals direkt, um Schäden an diesen gegen Elektrostatik empfindlichen Teilen zu vermeiden.
21. Achten Sie darauf, keine Büroklammern oder andere Fremdkörper in den Drucker fallenzulassen, da diese Betriebsstörungen oder Schäden am Lese-Schreib-Gerät hervorrufen können.
22. Öffnen Sie nicht die Abdeckung während des Betriebs.
23. Verwenden Sie das Lese-Schreib-Gerät nicht an Orten, an denen Siliziumgas vorhanden ist, da das Lese-Schreib-Gerät mit einem Gleichstrommotor bzw. Schaltern ausgestattet ist, die mit elektrischen Kontakten arbeiten.

2. Auspacken

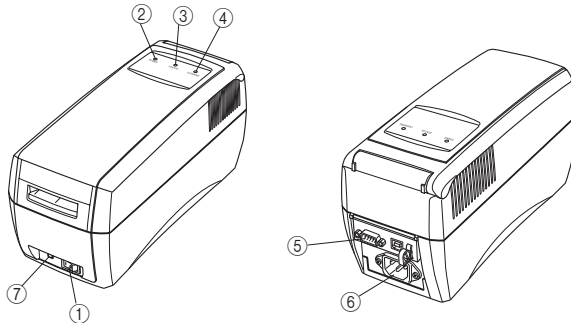
Nachstehend finden Sie eine Übersicht über den Lieferumfang des Lese-Schreib-Geräts und des Zubehörs.

1. Lese-Schreib-Gerät
2. Netzkabel
3. Reinigungskarten
(2 Stück)
4. Ferritkern
5. Benutzerhandbuch
6. Karte zur Font-Einstellung



Hinweis: Ob Ferritkern und Font-Einstellkarte vorhanden sind, ist abhängig vom Modell des Lese-Schreib-Geräts.

3. Äußere Merkmale und Bezeichnungen der Teil



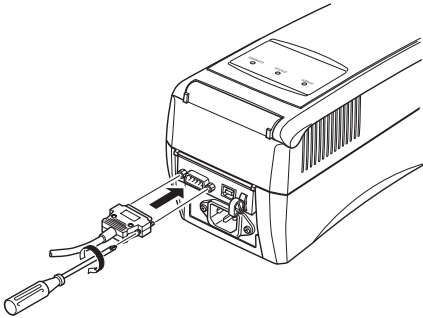
1. Netzschalter Hiermit schalten Sie den Netzstrom ein und aus.
2. Netzkontrollleuchte Zeigt an, dass das Lese-Schreib-Gerät eingeschaltet ist.
3. Statusanzeige Zeigt an, dass das Gerät druckbereit ist, momentan druckt und/oder dass Fehler vorliegen.
4. Reinigungslämpchen Zeigt an, dass das Lese-Schreib-Gerät gereinigt werden muss.
5. Schnittstellen-Steckverbindung Ermöglicht eine Kabelverbindung zu einem Host-Computer.
6. Netzanschlussbuchse Dient zum Anschluss des mitgelieferten Netzkabels.
7. Reinigungstaste Zum Reinigen des Geräts halten Sie die Reinigungstaste während des Einschaltens gedrückt. Stecken Sie zum Reinigen eine mit Alkohol getränkte Reinigungskarte in das Gerät ein.

4. Anschluss externer Geräte

Verbinden Sie entweder das RS-232C-Schnittstellenkabel oder das USB-Schnittstellenkabel mit dem Lese-Schreib-Gerät.

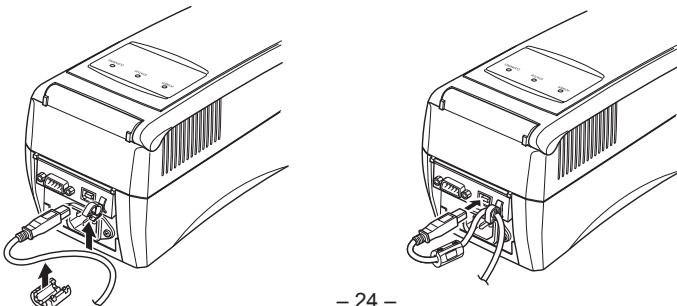
4-1 Anschließen des RS-232C-Schnittstellenkabels

1. Trennen Sie die Stromversorgung des Host-Computers und des Lese-Schreib-Geräts.
2. Schließen Sie das eine Ende des Schnittstellenkabels an das Lese-Schreib-Gerät und das andere Ende an den Host-Computer an.
3. Befestigen Sie den mitgelieferten Ferritkern am Schnittstellenkabel.
4. Ziehen Sie die Schrauben an beiden Seiten des Steckers fest.



4-2 Anschließen des USB-Schnittstellenkabels

1. Bringen Sie den Ferritkern am USB-Kabel an, wie in der Abbildung unten gezeigt und stellen Sie sicher, das Kabel durch die Kabelhalterung zu führen, wie in der Abbildung gezeigt.
2. Stecken Sie das Ende des USB-Kabels in den USB-Anschluss am Lese-/Schreibgerät.
3. Stecken Sie das andere Ende des USB-Kabels in den USB-Anschluss am Host-Computer.
4. Sofern für das Lese-Schreib-Gerät ein Treiber benötigt wird, installieren Sie den Treiber mithilfe des vom Händler bereitgestellten Speichermediums.

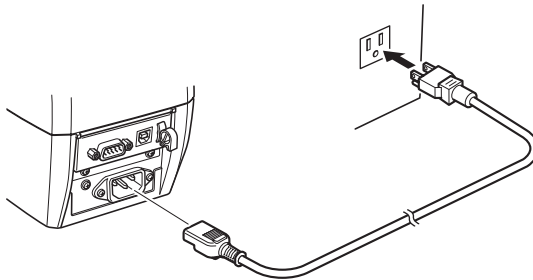


5. Anschließen des Netzkabels

1. Bringen Sie den Netzschalter in die „Aus“-Position.
2. Verbinden Sie das Netzkabel mit der Anschlussbuchse auf der Rückseite des Lese-Schreib-Geräts.
3. Stecken Sie den Netzstecker in eine korrekt geerdete Wechselstrom-Steckdose.

Verbinden Sie den Erdungsanschluss mit einem Metallteil (z.B. einer Steckdose mit Erdungspunkt) an einer Erdung in der näheren Umgebung, um den sicheren Betrieb des Lese-Schreib-Geräts zu gewährleisten.

⚠ Achtung: Es wird empfohlen, den Netzstecker des Lese-Schreib-Geräts auszustechen, wenn es über einen längeren Zeitraum nicht verwendet werden soll. Aus diesem Grund sollten Sie das Lese-Schreib-Gerät in der Nähe einer Steckdose aufstellen, damit diese leicht zugänglich ist.

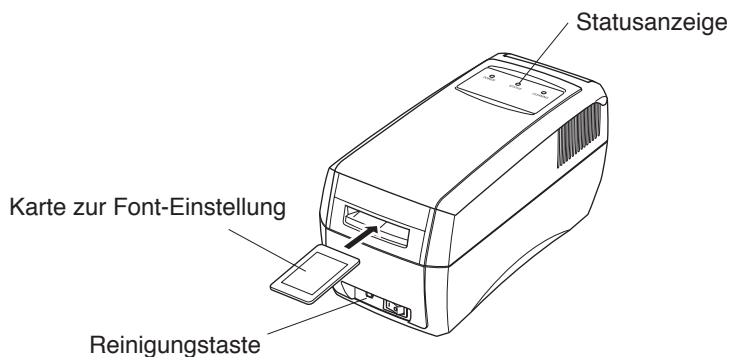


6. Font-Einstellung mit der Font-Einstellkarte

Modellen für den Markt in Europa, USA und Korea liegt eine Karte zur Einstellung der Standard-Fonts für das betreffende Land bei. Bevor Sie das Lese-Schreib-Gerät verwenden, stellen Sie die Fonts entsprechend der nachfolgenden Anleitung ein.

<Vorgehensweise zur Font-Einstellung >

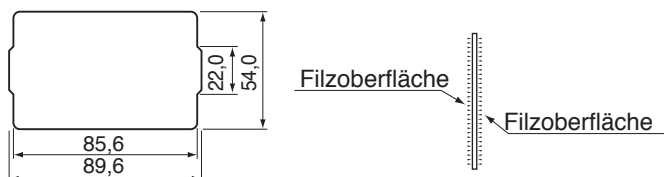
1. Halten Sie während des Einschaltens die Reinigungstaste gedrückt.
2. Der Summer ertönt und die grüne Statusanzeige blinkt. Dadurch wird angezeigt, dass das Lese-Schreib-Gerät sich in der "Betriebsart zur Verwendung der Einstellkarte" befindet.
3. Führen Sie die Font-Einstellkarte ein. Die Informationen zur Font-Einstellung werden automatisch vom Magnetstreifen gelesen. Diese neuen Font-Einstelldaten werden automatisch in den internen Speicher geschrieben.
4. Nachdem die neuen Einstellungen erfolgreich beendet wurden, wird die Meldung "COMPLETE!" gedruckt und die Karte ausgegeben. Das Lese-Schreib-Gerät kehrt anschließend in die normale Betriebsart zurück.



7. Reinigungskarten

Reinigungskarten dienen zum Reinigen der Transportwalzen im Gerät. Zwei Reinigungskarten liegen jedem Gerät bei. Sie sind in einer Kunststoffhülle verpackt.

7-1 Außenansicht



7-2 Häufigkeit der Benutzung

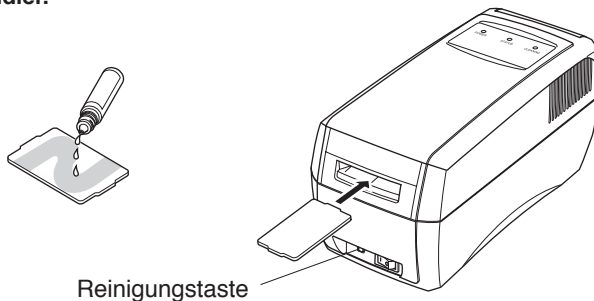
1. Täglich oder nach jeweils 300 Druckvorgängen.
2. Reinigen Sie das Lese-Schreib-Gerät, wenn häufig Fehler auftreten oder wenn Druckprobleme vorliegen.
3. Nach 300 Druckvorgängen leuchtet automatisch das Reinigungsbläpchen auf. Reinigen Sie das Lese-Schreib-Gerät, wenn das Licht blinkt.

7-3 Vorgehensweise

So reinigen Sie das Lese-Schreib-Gerät:

1. Drücken Sie die Reinigungstaste.
2. Tränken Sie die Filzoberflächen (beide Seiten) einer der Reinigungskarten mit der optionalen Reinigungsflüssigkeit.
3. Stecken Sie die Reinigungskarte in den normalen Karteneinschubschlitz.
4. Lassen Sie die Reinigungsflüssigkeit ca. 1 Minute lang trocknen, bevor Sie das Gerät wieder in Betrieb nehmen.

- Hinweis:**
1. **Verwenden Sie keine verbogenen Reinigungskarten. Solche Karten könnten sich im Gerät verklemmen.**
 2. **Das Gerät wird ohne Reinigungsflüssigkeit ausgeliefert. Daher müssen Sie optionale Reinigungsflüssigkeit oder im Handel erhältliches Ethanol (mind. 85% Reinheit) besorgen. Die optionale Reinigungsflüssigkeit erhalten Sie bei Ihrem Händler.**
 3. **Die beiliegende Reinigungskarte erhält ihre Reinigungskraft, indem sie vor der Verwendung mit einer Reinigungsflüssigkeit getränkt wird. Stellen Sie sicher, dass sie vor dem Reinigungsvorgang mit einer Reinigungsflüssigkeit getränkt wurde.**
 4. **Stellen Sie sicher, dass Sie Ethanol mit einer Reinheit von mindestens 85% verwenden. Bei Verwendung von Ethanol mit niedrigerer Reinheit benötigt die Reinigungskarte länger, um zu trocknen. Wird eine nicht vollständig getrocknete Reinigungskarte in den Steckplatz eingesetzt, kann es zu Fehlfunktionen kommen, wie z.B. Rutschen der Karte.**
 5. **Eine Reinigungskarte kann ca. 30-mal verwendet werden. Wenn die Karte beschädigt oder stark verunreinigt ist, wenden Sie sich an Ihren Händler.**



8. Fehlerbehebung

8-1. Probleme beim Einschalten

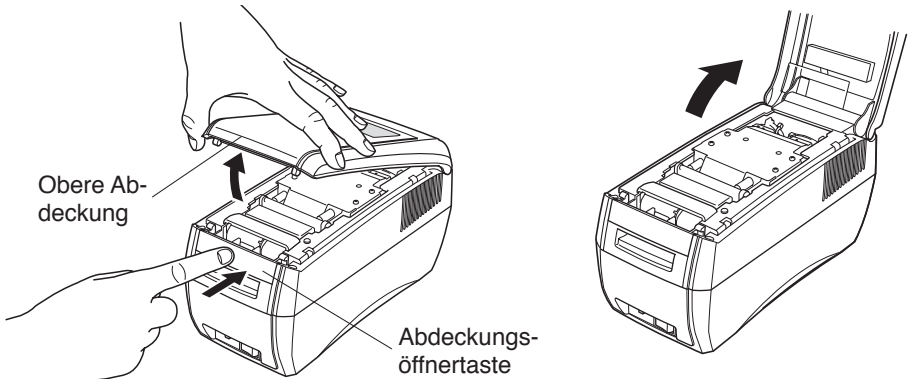
Symptom		Mögliche Ursache	Korrekturmaßnahme
Netzkontrollleuchte leuchtet nicht.	Karten werden nicht angenommen.	Netzkabel ist nicht richtig eingesteckt.	Netzkabel richtig einstecken.
		Leitungsunterbrechung im Netzkabel. Sicherung durchgebrannt.	An den Händler wenden.
	Karten werden angenommen.	Kontrollleuchte ist defekt.	
Netzkontrollleuchte leuchtet.	Karten werden nicht angenommen.	Fehler des Lese-Schreib-Geräts.	Eine normale Karte verwenden.
	Karten werden angenommen, doch das Lese-Schreib-Gerät funktioniert nicht korrekt.	Fehlerhafte Karte Karte beschädigt, verbogen, Daten der Karte gelöscht, oder andere Benutzerkarte.	
		Kopf ist verunreinigt.	Mit Reinigungskarte reinigen.
		Beschriftungssystem funktioniert nicht ordnungsgemäß.	An den Händler wenden.
		Fehler des Lese-Schreib-Geräts.	

8-2. Probleme bei der Nutzung des Geräts

Symptom	Mögliche Ursache	Korrekturmaßnahme
Karten werden nicht ausgegeben.	Karte ist verklemmt.	Lese-Schreib-Gerät erneut einschalten. Wird die Karte noch immer nicht ausgegeben, Gerät ausschalten und obere Abdeckung öffnen. Dann den Verriegelungshebel ziehen, um den oberen Teil des Mechanismus anzuheben. Karte entnehmen.
Lese-/Schreibfehler	Falsche Karte.	Empfohlene Karte verwenden.
	Verwendung eines anderen Kartentyps.	Richtige Karte verwenden.
	Kartendaten wurden durch Magneten gelöscht.	Neue Karte erstellen.
	Karte ist verbogen.	
	Karte ist beschädigt.	
Kopf ist verunreinigt.	Mit Reinigungskarte reinigen.	

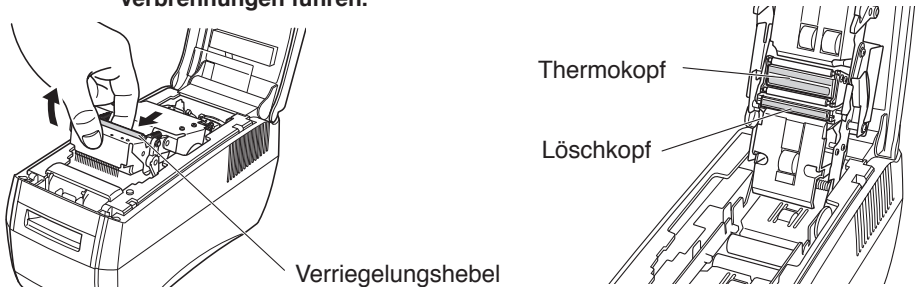
8-3. Entfernen von verklemmten Karten

1. Schalten Sie das Gerät aus und ziehen Sie den Netzstecker.
2. Drücken Sie die Abdeckungsöffnertaste.
3. Klappen Sie die Abdeckung nach oben.



4. Ziehen Sie an dem Verriegelungshebel (grün) und heben Sie dabei den Mechanismus an.

Hinweis: Berühren Sie niemals den Thermokopf oder den Löschkopf. Dies kann zu Verbrennungen führen.



5. Entnehmen Sie die Karte bei geöffneter Abdeckung.

Vorsicht: Wenn versucht wird, die Karte gewaltsam abzuziehen, besteht die Gefahr der Beschädigung von internen Teilen wie der Kartenführung. Entfernen Sie die Karte durch Drücken entlang der Kartenführung und aus der Kartenöffnung.



6. Bringen Sie den Mechanismus wieder in seine ursprüngliche Position.
7. Schließen Sie die obere Abdeckung.

SOMMARIO

1. Precauzioni per l'utilizzo sicuro	31
2. Apertura della confezione.....	33
3. Aspetto esterno e nomi dei componenti	33
4. Connessione a dispositivi esterni	34
5. Collegamento del cavo di alimentazione	35
6. Impostazione dei caratteri mediante la scheda di impostazione caratteri	36
7. Schede per pulizia	36
8. Risoluzione dei problemi	38
Appendice.....	50

L'Appendice appare solo nella sezione in inglese di questo manuale.

ITALIANO

Il presente Manuale dell'utente contiene informazioni importanti che consentono di utilizzare in sicurezza il dispositivo di lettura/scrittura.

Leggere attentamente questo manuale prima di utilizzare il dispositivo di lettura/scrittura e osservare le descrizioni fornite.

CE

Dichiarazione di conformità del fabbricante

Direttiva del Consiglio CE 89/336/EEC del 3 maggio 1989

Questo prodotto è stato progettato e fabbricato secondo gli Standard Internazionali EN 61000-6-3 / 2001 ed EN 55024 / 1998, seguendo quanto previsto dalla Direttiva sulla Compatibilità Elettromagnetica della Comunità Europea del maggio 1989.

Direttiva del Consiglio CE 73/23/CEE e 93/68/EEC del 22 luglio 1993

Questo prodotto è stato progettato e fabbricato secondo gli Standard Internazionali EN 60950-1, seguendo quanto previsto dalla Direttiva sulla Bassa Tensione della Comunità Europea del 2001.

La dichiarazione di cui sopra si applica solo i prodotti in vendita nell' UE.

Dichiarazione WEEE

Nell'unione europea, la presente etichetta indica che il prodotto non deve essere gettato nei rifiuti, bensì riciclato attraverso gli appositi contenitori secondo la legislazione sotto la Direttiva WEEE (Direttiva 2002/96/EC).



1. Precauzioni per l'utilizzo sicuro

Tenere sempre presente le indicazioni seguenti.



Leggere attentamente e seguire le indicazioni fornite di seguito per evitare danni alle persone o alle cose.

1-1. Precauzioni per l'installazione del dispositivo di lettura/scrittura

1. Collocare il dispositivo di lettura/scrittura in un luogo solido e piano.
2. Non utilizzare il dispositivo in aree esposte alla luce solare diretta o vicino a fonti di calore.
3. Non collocare il dispositivo in aree ad elevata umidità.
Non tenere né utilizzare liquidi in prossimità del dispositivo.
4. Non collocare il dispositivo in aree polverose o in cui sono presenti particelle sospese nell'atmosfera.
5. Non utilizzare il dispositivo in aree di emissione di gas corrosivi, infiammabili, di prodotti chimici o vapori.
6. Non utilizzare il dispositivo in prossimità di apparecchiature che possono produrre campi magnetici o interferenze.
7. Non collegare il dispositivo a un circuito a cui sono connesse apparecchiature che generano disturbi elettrici.
8. Collegare un cavo di terra per utilizzare in sicurezza il dispositivo.
9. Per una ventilazione ottimale, lasciare un ampio spazio attorno al dispositivo.

1-2. Precauzioni per l'utilizzo del dispositivo di lettura/scrittura

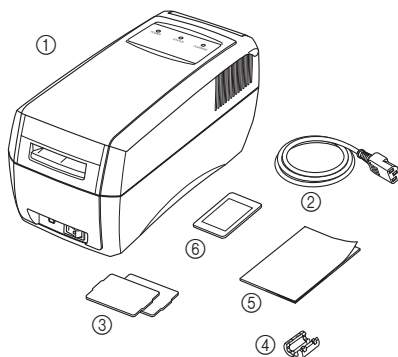
1. Utilizzare esclusivamente schede consigliate da Star.
2. Non utilizzare schede sporche, umide o contenenti tracce di olio. Non toccare le schede con le mani sporche. Non applicare nastri adesivi o colla alle schede.
3. Non tenere le schede in prossimità di apparecchiature che generano campi magnetici (ad esempio, telefoni cellulari, altoparlanti, televisori, ecc.).
4. Non tenere le schede in aree esposte alla luce solare diretta o in zone in cui si possono raggiungere elevate temperature (ad esempio, i cruscotti delle auto), poiché le alte temperature possono provocare la piegatura delle schede o cancellare le informazioni in esse registrate.
5. Non utilizzare carte piegate, poiché potrebbero provocare inceppamenti nel dispositivo di lettura/scrittura.
6. Inserire le schede nella direzione indicata.
7. Non inserire nel dispositivo di lettura/scrittura oggetti diversi dalle apposite schede.
8. Non ostruire il percorso di inserimento o espulsione delle schede.

9. Non interrompere l'alimentazione durante l'elaborazione delle schede.
10. In caso di anomalia del dispositivo di lettura/scrittura (rumori, odori anomali, fumo, fuoco) spegnere subito il dispositivo e scollegarlo dalla presa di alimentazione.
11. Staccare il cavo di alimentazione tenendo la spina con la mano e mai tirando il cavo, poiché quest'ultimo potrebbe danneggiarsi.
12. Se il dispositivo non viene utilizzato per un lungo periodo di tempo, staccare sempre la spina dalla presa di alimentazione.
13. Non utilizzare il dispositivo di lettura/scrittura in un ambiente soggetto a condensa.
14. Per assicurare l'affidabilità del dispositivo, pulirlo tutti i giorni o in caso di accensione dell'apposita spia di pulizia.
15. Evitare il contatto con il liquido detergente opzionale. Se viene a contatto con gli occhi, o in caso di ingestione, consultare subito un medico.
16. Non disassemblare né modificare il dispositivo di lettura/scrittura.
17. Non esporre le schede alla luce solare diretta o alla luce fluorescente per lunghi periodi di tempo.
18. Se occorre ristampare la stessa scheda, aspettare almeno tre minuti prima della ristampa.
Se si stampa ripetutamente su schede diverse, non è necessario attendere.
19.  Questo simbolo è collocato accanto alla testina termica e alla testina di cancellazione.
Non toccare mai la testina termica o la testina di cancellazione immediatamente dopo l'uso della stampante.
Attendere alcuni minuti per consentire il raffreddamento della testina termica o della testina di cancellazione prima di toccarle.
20.  Questo simbolo è collocato accanto alla testina termica o alla testina di cancellazione.
Non toccare mai direttamente la testina termica o la testina di cancellazione per evitare di danneggiare tali dispositivi, sensibili all'energia elettrostatica.
21. Fare attenzione a non lasciar cadere graffette, spilli e altri oggetti estranei nel dispositivo di lettura/scrittura perché potrebbero causare problemi di funzionamento.
22. Non aprire il coperchio durante il funzionamento.
23. Non utilizzare il dispositivo di lettura/scrittura in aree con presenza di gas di silicio, in quanto il dispositivo è dotato di motore CC o interruttori che utilizzano contatti elettrici.

2. Apertura della confezione

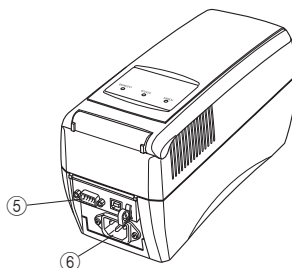
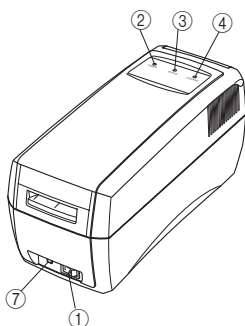
Di seguito vengono presentati il dispositivo di lettura/scrittura e gli accessori.

1. Dispositivo di lettura/scrittura
2. Cavo di alimentazione
3. Schede per la pulizia (2 schede)
4. Nucleo di ferrite
5. Il presente manuale
6. Scheda impostazione caratteri



Nota: la presenza di nucleo di ferrite e scheda di impostazione dei caratteri dipende dal modello del dispositivo di lettura/scrittura.

3. Aspetto esterno e nomi dei componenti



1. Interruttore di alimentazione
2. Spia di alimentazione
3. Spia di stato
4. Spia di pulizia
5. Connettore interfaccia
6. Ingresso CA
7. Interruttore di pulizia

Consente di accendere e spegnere il dispositivo di lettura/scrittura.

Indica che il dispositivo è acceso.

Indica che la stampante è pronta, in fase di stampa e la presenza di errori.

Indica che è necessario pulire il dispositivo.

Collega al computer host tramite cavo.

Collega al cavo di alimentazione in dotazione.

Premere l'interruttore di pulizia durante l'accensione.

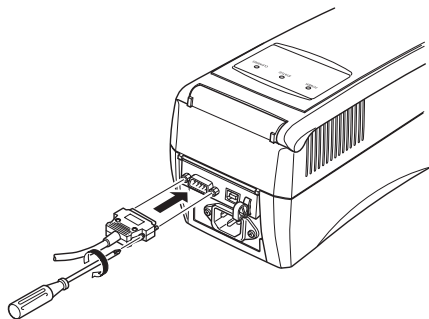
Inserire una scheda per pulizia imbevuta d'alcol per pulire il dispositivo.

4. Connessione a dispositivi esterni

Collegare il cavo di interfaccia RS-232C o USB al dispositivo di lettura/scrittura.

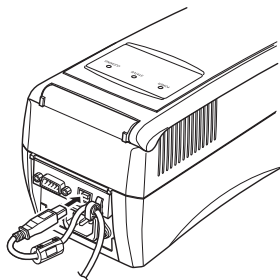
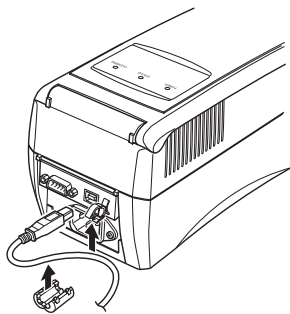
4-1 Montaggio del cavo di interfaccia RS-232C

1. Disattivare l'alimentazione del computer host e del dispositivo di lettura/scrittura.
2. Collegare un'estremità del cavo di interfaccia al dispositivo di lettura/scrittura e l'altra al computer host.
3. Montare il nucleo di ferrite al cavo di interfaccia.
4. Serrare le viti a destra e sinistra sul connettore.



4-2 Montaggio del cavo di interfaccia USB

1. Applicare l'anima di ferrite al cavo USB come illustrato, accertandosi di far passare il cavo attraverso il supporto come indicato nell'illustrazione.
2. Collegare l'estremità del cavo USB alla porta USB del lettore/scrittore.
3. Collegare l'altra estremità del cavo USB alla porta USB del computer host.
4. Se viene richiesto un driver per il dispositivo di lettura/scrittura, utilizzare il supporto fornito dall'agente per installare il driver.

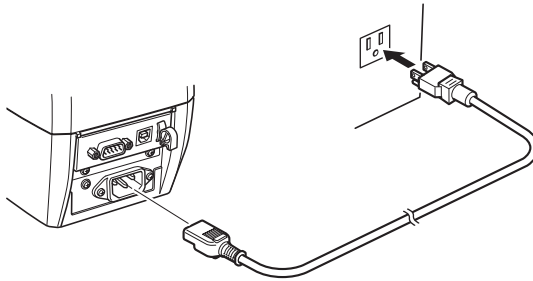


5. Collegamento del cavo di alimentazione

1. Posizionare l'interruttore di alimentazione su Off.
2. Collegare il cavo di alimentazione all'ingresso CA nel retro del dispositivo di lettura/scrittura.
3. Inserire la spina del cavo di alimentazione in una presa CA collegata a terra.

Collegare il terminale di messa a terra a una parte metallica (ad esempio una presa con punto di messa a terra) in un punto di messa a terra in prossimità per utilizzare in sicurezza il dispositivo.

⚠ Attenzione: Si consiglia di scollegare il dispositivo dalla presa di alimentazione se non viene utilizzato per un lungo periodo di tempo. Posizionare, per questo motivo, il dispositivo di lettura/scrittura in prossimità di una presa CA di facile accesso.

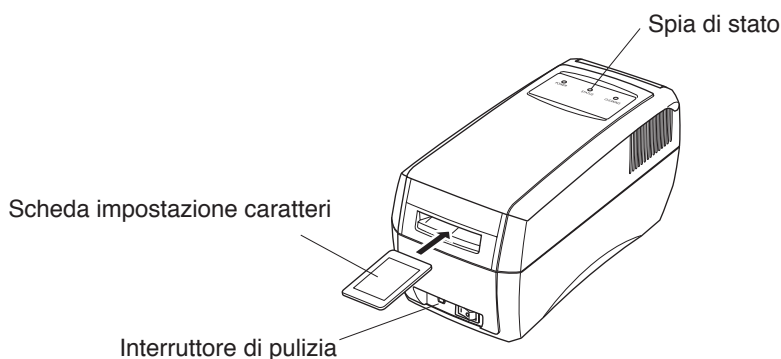


6. Impostazione dei caratteri mediante la scheda di impostazione caratteri

I modelli per l'Europa, gli USA e la Corea sono forniti di una scheda di impostazione caratteri per la relativa area geografica. Prima di utilizzare il dispositivo di lettura/scrittura, impostare i caratteri in base alle istruzioni seguenti.

<Procedure per impostare i caratteri>

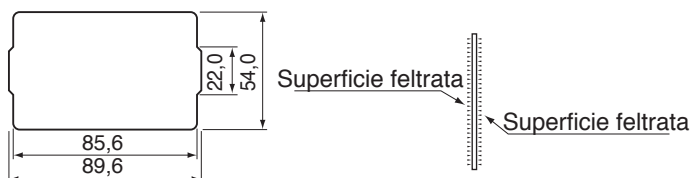
1. Accendere il dispositivo premendo contemporaneamente l'interruttore di pulizia.
2. Il cicalino emette un suono e la spia di stato verde lampeggia per indicare che il dispositivo di lettura/scrittura è entrato nella "modalità di configurazione per l'utilizzo della scheda di impostazione".
3. Inserire la scheda di impostazione caratteri. Le informazioni sull'impostazione caratteri vengono lette automaticamente dalla striscia magnetica. Le nuove informazioni vengono scritte nella memoria interna.
4. Al termine dell'impostazione, viene stampato il messaggio "COMPLETE!" e la scheda viene espulsa. Il dispositivo di lettura/scrittura torna allo stato operativo normale.



7. Schede per pulizia

La scheda per pulizia viene utilizzata per pulire i rulli di trasporto all'interno dell'unità. Ciascuna unità è dotata di due schede per pulizia avvolte in un rivestimento di plastica.

7-1 Aspetto esterno



7-2 Frequenza di utilizzo

1. Tutti i giorni o una volta ogni 300 stampe.
2. Se si verificano spesso errori, oppure problemi di stampa, pulire il dispositivo di lettura/scrittura.
3. Il LED di pulizia lampeggia dopo l'esecuzione di 300 stampe. Pulire il dispositivo quando la spia lampeggia.

7-3 Modalità di utilizzo

Seguire le procedure indicate per pulire il dispositivo di lettura/scrittura.

1. Premere l'interruttore di pulizia.
2. Inumidire le superfici feltrate (entrambi i lati) di una scheda per pulizia con il liquido detergente opzionale.
3. Inserire la scheda per pulizia nella normale fessura di inserimento schede.
4. Attendere almeno un minuto prima di riutilizzare il dispositivo di lettura/scrittura, per consentirne l'asciugatura.

Nota: 1. **Non utilizzare schede per pulizia piegate. L'utilizzo di schede piegate può provocare inceppamenti.**

2. **Con l'unità non viene fornito il liquido detergente. Sarà quindi necessario richiedere il liquido detergente opzionale o acquistare dell'etanolo disponibile in commercio (purezza minima 85%).**

Per richiedere il liquido detergente opzionale, rivolgersi all'agente di vendita.

3. **Per ottenere la maggiore efficacia della scheda per pulizia inclusa, inumidir-la con il liquido detergente prima dell'uso. Assicurarsi che sia stato assorbito il liquido detergente prima di utilizzarla per la pulizia.**

4. **Verificare di utilizzare etanolo con purezza minima dell'85%. Se si utilizza etanolo con percentuale di purezza inferiore, la scheda per pulizia impiegherà un tempo maggiore prima di asciugare. Se si inserisce una scheda per pulizia umida nello slot, si potrebbe ottenere un errato funzionamento, come ad esempio lo slittamento della scheda.**

5. **È possibile riutilizzare le schede per pulizia per circa 30 volte. Rivolgersi all'agente di vendita se risultano danneggiate o eccessivamente sporche.**



8. Risoluzione dei problemi

8-1. Problemi all'accensione

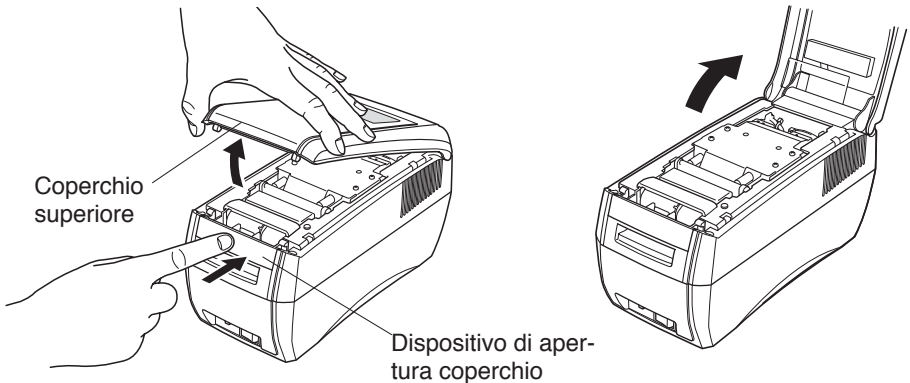
Sintomo		Causa possibile	Soluzione
La spia di alimentazione non si accende.	Non vengono accettate schede.	Il cavo di alimentazione non è collegato correttamente.	Collegare il cavo di alimentazione.
		Filo rotto nel cavo di alimentazione.	Rivolgersi al fornitore.
	Vengono accettate le schede.	Filo rotto nel fusibile.	
La spia di alimentazione si accende.	Non vengono accettate schede.	Errore del dispositivo di lettura/scrittura.	Utilizzare una scheda normale.
	Le schede vengono accettate ma il dispositivo di lettura/scrittura non funziona correttamente.	Scheda errata	
		Scheda danneggiata, piegata, dati cancellati sulla scheda, o altra scheda utente.	
		La testina è sporca.	
		Il sistema di composizione non funziona normalmente.	Rivolgersi al fornitore.
	Errore del dispositivo di lettura/scrittura.		

8-2. Problemi durante il funzionamento

Sintomo	Causa possibile	Soluzione
Le schede non vengono espulse.	Inceppamento della scheda.	Riacendere il dispositivo di lettura/scrittura. Se le schede non vengono espulse, spegnere e aprire il coperchio superiore. Quindi, tirare la leva di blocco per sollevare la parte superiore del meccanismo e rimuovere la scheda.
Si verificano errori di lettura/scrittura	Scheda non appropriata.	Utilizzare le schede consigliate.
	Impiego di un altro tipo di scheda.	Utilizzare la scheda corretta.
	Dati scheda cancellati da un magnete.	Emettere una nuova scheda.
	Scheda piegata.	
	Scheda danneggiata.	
Testina sporca.	Pulire con una scheda per la pulizia.	

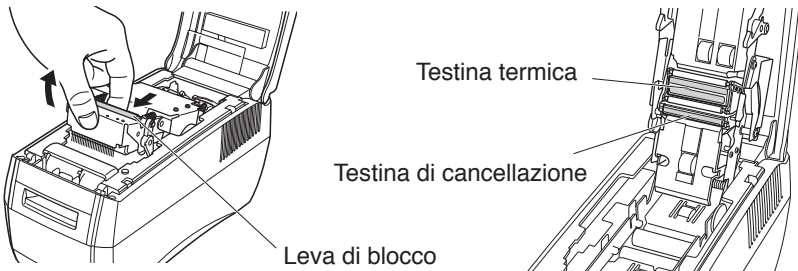
8-3. Rimozione delle schede inceppate

1. Spegnerne il dispositivo di lettura/scrittura e scollegare il cavo di alimentazione.
2. Premere il dispositivo di apertura coperchio.
3. Tenere aperto il coperchio superiore.



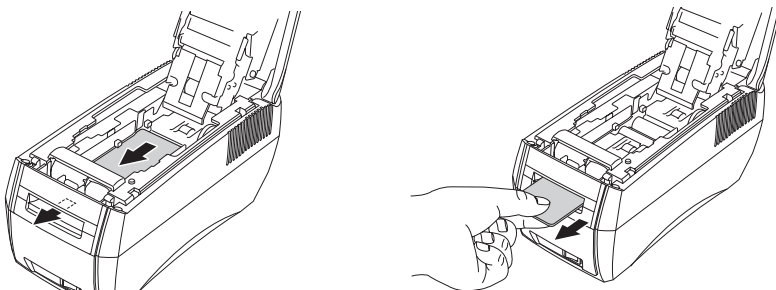
4. Mentre si tira la leva di blocco del meccanismo (verde), sollevare il meccanismo.

Nota: non toccare la testina termica o la testina di cancellazione. Rischio di ustioni.



5. Rimuovere la scheda mentre il coperchio è aperto.

Attenzione: se ti tenta di rimuovere la scheda tirandola a forza si danneggiano le parti interne del dispositivo quale, ad esempio, le guide di scorrimento. Per rimuovere la scheda è sufficiente premerla lungo le guide e quindi strarla dall'apertura.



6. Ricollocare il meccanismo nella posizione originale.
7. Chiudere il coperchio superiore.

CONTENIDO

1. Precauciones de uso.....	41
2. Desembalaje	43
3. Aspecto exterior y nombres de las piezas.....	43
4. Conexión a un dispositivo externo	44
5. Conexión del cable de alimentación.....	45
6. Configuración de las fuentes con la tarjeta de configuración de fuentes.....	46
7. Tarjetas limpiadoras	46
8. Solución de problemas.....	48
Apéndice	50

El apéndice no se ha traducido al español.

Este manual del usuario contiene información importante que le permitirá utilizar la impresora/lectora con seguridad.

Léalo con atención antes de utilizar la impresora/lectora y siga las instrucciones.

SPANISH

CE

Declaración de conformidad del fabricante

Directiva 89/336/CEE del consejo del 3 de mayo de 1989

Este producto ha sido diseñado y fabricado en conformidad con la norma internacional EN 61000-6-3/2001 y EN 55024/1998, con arreglo a las disposiciones de la Directiva de Compatibilidad Electromagnética de la Comunidad Europea con fecha de mayo de 1989.

Directivas 73/23/CEE y 93/68/CEE del consejo del 22 de julio de 1993

Este producto ha sido diseñado y fabricado en conformidad con la norma internacional EN 60950-1, con arreglo a las disposiciones de la Directiva de Baja Tensión de la Comunidad Europea a partir de 2001.

Esta declaración se aplica únicamente a las aparatos comercializadas en la UE.

WEEE Declaración

En la Unión Europea, la presente etiqueta indica que el presente producto no tiene que tirarse a la basura. Se tiene que depositar en un contenedor adecuado para facilitar la recuperación y el reciclaje del mismo, según la legislación en WEEE Directive (Directive 2002/96/CE)



1. Precauciones de uso

Cumpla siempre estas recomendaciones.



Lea atentamente y cumpla las siguientes recomendaciones. Evitará posibles lesiones a otras personas o a usted mismo, así como daños a materiales.

1-1. Precauciones para la instalación de la impresora/lectora

1. Coloque la impresora/lectora en un lugar estable y nivelado.
2. No utilice ni coloque la impresora/lectora en zonas expuestas a la luz solar directa, ni cerca de fuentes de calor.
3. Evite utilizar o almacenar la impresora/lectora en zonas con gran humedad. No utilice ni almacene líquidos cerca de la impresora/lectora.
4. Evite utilizar o almacenar la impresora/lectora en lugares donde haya polvo u otras partículas en suspensión.
5. Evite utilizar la impresora/lectora en lugares donde se emitan gases corrosivos, gases combustibles, productos químicos o vapores.
6. No utilice la impresora/lectora cerca de dispositivos que puedan generar campos magnéticos o interferencias.
7. No conecte el aparato a circuitos a los que se hayan conectado dispositivos eléctricos que generen ruido eléctrico.
8. Por seguridad, conecte el dispositivo a una toma de tierra.
9. Deje suficiente espacio alrededor de la impresora/lectora para su ventilación.

1-2. Precauciones para el uso de la impresora/lectora

1. Utilice únicamente las tarjetas recomendadas por Star.
2. No utilice tarjetas sucias, aceitosas ni húmedas en general, ni las toque con las manos sucias o húmedas. No pegue las tarjetas con pegamento ni con cinta adhesiva.
3. No deje las tarjetas cerca de dispositivos que generen campos magnéticos (como teléfonos móviles, altavoces, televisores, etc.).
4. No coloque las tarjetas en zonas expuestas a la luz solar directa o altas temperaturas (como el salpicadero de un coche), ya que pueden doblarse o perder la información registrada en ellas.
5. No utilice tarjetas dobladas: se atascan en la impresora/lectora.
6. Introduzca las tarjetas en la dirección indicada.
7. No introduzca nunca en la impresora/lectora ningún otro objeto que no sean las tar-

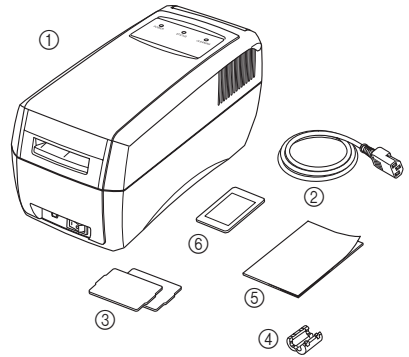
- jetas adecuadas.
8. No obstruya el conducto de entrada ni de salida de las tarjetas.
 9. No corte el suministro eléctrico si hay una tarjeta en proceso.
 10. En caso de error (sonidos u olores anormales, humo, fuego, etc.), apague la impresora/lectora inmediatamente y desconéctela de la toma de corriente.
 11. Para la conexión o desconexión de la toma de corriente, sujete siempre el enchufe, no el cable: de lo contrario, podría dañarlo.
 12. Siempre que no vaya a usar el aparato durante un periodo prolongado, desconecte el enchufe de la toma de corriente.
 13. No utilice la impresora/lectora en lugares donde se haya producido condensación.
 14. Para garantizar la fiabilidad de la impresora/lectora, límpiela a diario o cuando se encienda la luz Limpieza.
 15. Evite el contacto con el líquido limpiador opcional. En caso de ingestión o contacto con los ojos, acuda a un médico inmediatamente.
 16. No desmonte ni modifique la impresora/lectora.
 17. No exponga las tarjetas a la luz solar directa ni a luces fluorescentes durante periodos de tiempo prolongados.
 18. Si es necesario repetir la impresión de una tarjeta, espere al menos tres minutos antes de hacerlo.
Esta pausa no es necesaria cuando se imprimen tarjetas diferentes.
 19.  Este símbolo está ubicado cerca del cabezal de impresión térmica y del cabezal de borrado.
No toque nunca el cabezal de impresión térmica ni el cabezal de borrado inmediatamente después de haber utilizado la impresora.
Deje que el cabezal de impresión térmica y el cabezal de borrado se enfríen durante algunos minutos antes de tocarlos.
 20.  Este símbolo está ubicado cerca del cabezal de impresión térmica y del cabezal de borrado.
No toque nunca directamente el cabezal de impresión térmica ni el cabezal de borrado para evitar dañar estos dispositivos sensibles a la electrostática.
 21. Tenga cuidado de que no se introduzcan clips, chinchetas o cualquier otro material extraño: podría causar problemas de funcionamiento en la unidad de lectura/escritura.
 22. No abra la tapa si la unidad está en funcionamiento.
 23. Evite usar la unidad de lectura/escritura en lugares donde haya gas de sílice: la unidad está equipada con interruptores o un motor de CC que emplean contactos eléctricos.

2. Desembalaje

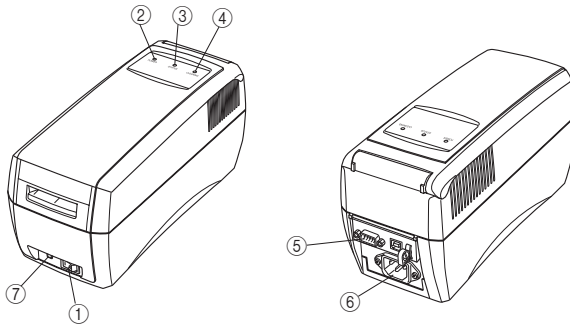
A continuación se detallan la impresora/lectora y sus accesorios:

1. Impresora/lectora
2. Cable de alimentación
3. Tarjetas limpiadoras (2)
4. Núcleo de ferrita
5. Este manual
6. Tarjeta de configuración de fuentes

Nota: según el modelo, la unidad de lectura/escritura estará provista de un núcleo de ferrita y una tarjeta de tipos de letra.



3. Aspecto exterior y nombres de las piezas



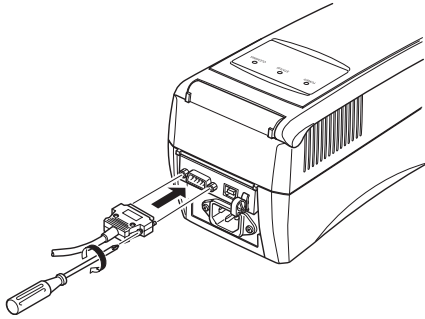
- | | |
|---------------------------------|---|
| 1. Interruptor general | Sirve para encender y apagar la impresora/lectora. |
| 2. Luz de encendido | Indica que la impresora/lectora está encendida. |
| 3. Luz de estado | Indica que la impresora está lista, imprimiendo o que se ha producido un error. |
| 4. Luz de limpieza | Indica que es necesario limpiar la impresora/lectora. |
| 5. Conector de interconexión | Permite la conexión a un ordenador mediante un cable. |
| 6. Entrada de corriente alterna | Permite conectar el cable de alimentación. |
| 7. Interruptor de limpieza | Permite conectar el cable de alimentación.
Pulse el interruptor de limpieza mientras apaga el aparato.
Introduzca una tarjeta limpiadora empapada en alcohol para limpiar la impresora/lectora. |

4. Conexión a un dispositivo externo

Conecte el cable de interconexión RS-232C o el cable de interconexión USB a la impresora/lectora.

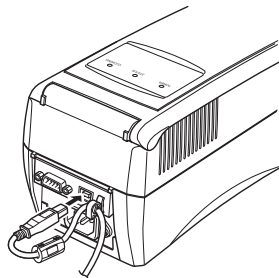
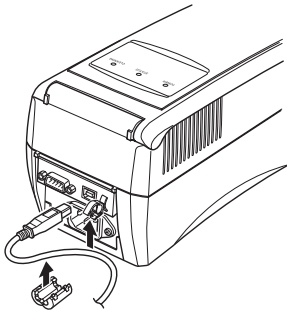
4-1 Colocación del cable de interconexión RS-232C

1. Desconecte el ordenador y la impresora/lectora de la corriente.
2. Conecte un extremo del cable de interconexión a la impresora/lectora y el otro al ordenador.
3. Fije el núcleo de ferrita al cable de interconexión.
4. Apriete los tornillos laterales del conector.



4-2 Colocación del cable de interconexión USB

1. Fije el núcleo de ferrita en el cable USB como se muestra en la ilustración de abajo y cerciórese de pasar tal cable a través del soporte del cable como se muestra en la ilustración.
2. Enchufe el extremo del cable USB en el puerto USB del lector/escritor.
3. Enchufe el otro extremo del cable USB en el puerto USB del ordenador principal.
4. Si es necesario un controlador para la impresora/lectora, instálelo utilizando los discos suministrados por su proveedor.

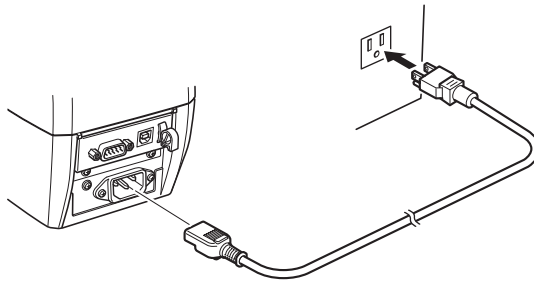


5. Conexión del cable de alimentación

1. Apague el interruptor general.
2. Conecte el cable de alimentación a la entrada de corriente alterna ubicada en la parte posterior de la impresora/lectora.
3. Enchufe el cable de alimentación a una toma de corriente conectada a tierra correctamente.

Para utilizar la impresora/lectora con seguridad, conecte el borne de tierra a un elemento metálico con conexión a masa (por ejemplo, un enchufe que tenga conexión a tierra).

⚠ Precaución: Le recomendamos desenchufar la impresora/lectora de la toma de corriente cuando no la vaya a utilizar durante un periodo prolongado. Por este motivo, la impresora debe instalarse en un lugar en el que la toma de corriente se encuentre cerca y se pueda acceder fácilmente a ella.

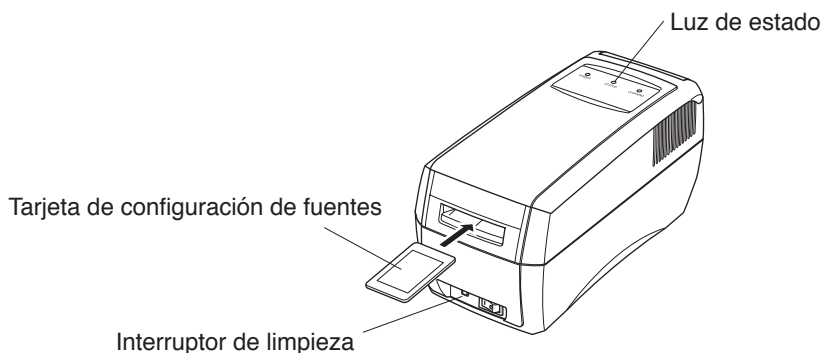


6. Configuración de las fuentes con la tarjeta de configuración de fuentes

Los modelos destinados a Europa, EE. UU. y Corea disponen de una tarjeta de configuración de fuentes estándar para cada país. Antes de utilizar la impresora/lectora, configure las fuentes siguiendo estas instrucciones.

<Procedimientos para la configuración de las fuentes>

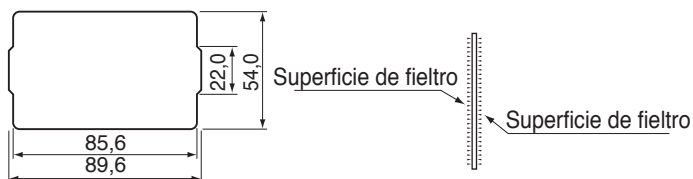
1. Encienda la impresora mientras mantiene pulsado el interruptor de limpieza.
2. Se oirá un pitido y se encenderá la luz de estado verde, indicando que la impresora/lectora ha pasado al "modo configuración para utilizar la tarjeta de configuración".
3. Introduzca la tarjeta de configuración de fuentes. La información de configuración de fuentes se lee automáticamente en la banda magnética. A continuación, esta nueva información de configuración de fuentes se almacena en la memoria interna.
4. Cuando se hayan establecido correctamente los nuevos parámetros, se imprimirá el mensaje "COMPLETE!" y se expulsará la tarjeta. La impresora/lectora volverá entonces a su modo normal de funcionamiento.



7. Tarjetas limpiadoras

Las tarjetas limpiadoras se utilizan para limpiar los rodillos transportadores que se encuentran en el interior de la unidad. Cada unidad viene acompañada de dos tarjetas limpiadoras. Se encuentran en el envoltorio plástico.

7-1 Forma exterior



7-2 Frecuencia de uso

1. Todos los días o cada 300 impresiones.
2. Limpie la impresora/lectora si se producen errores repetidamente o si surgen problemas de impresión.
3. El testigo de limpieza parpadea cuando se hayan producido 300 impresiones. Limpie la impresora/lectora cuando esto ocurra.

7-3 Instrucciones de uso

Limpie la impresora/lectora siguiendo estos procedimientos.

1. Pulse el interruptor de limpieza.
2. Empape las superficies de fieltro (ambos lados) de una tarjeta limpiadora con líquido limpiador opcional.
3. Introduzca la tarjeta limpiadora en la ranura normal para tarjetas.
4. Deje reposar la impresora/lectora durante un minuto aproximadamente antes de volver a utilizarla, para que se seque.

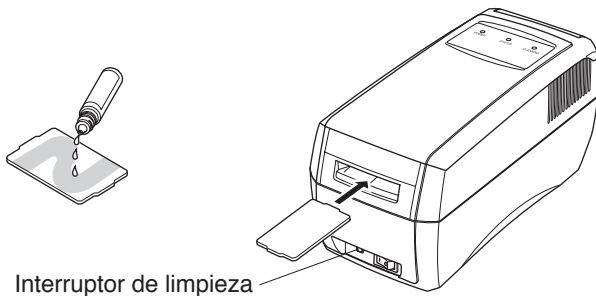
Nota: 1. No utilice tarjetas limpiadoras dobladas: pueden quedarse atascadas en el interior.

2. No se suministra líquido limpiador con la unidad. Por tanto, deberá obtener el líquido limpiador opcional o bien un etanol disponible en el comercio (con un grado mínimo de pureza del 85%). Para solicitar el líquido limpiador opcional, póngase en contacto con el vendedor.

3. La tarjeta limpiadora que se incluye, para resultar eficaz, debe absorber líquido limpiador antes de usarla. Antes de usarla para limpiar, verifique que haya absorbido líquido limpiador.

4. Asegúrese de utilizar etano con un grado mínimo de pureza del 85%. Si utiliza un etanol con un grado de pureza inferior, la tarjeta limpiadora tardará más en secarse. Si introduce en la ranura una tarjeta limpiadora que no esté seca, puede provocar deficiencias de funcionamiento, por ejemplo el deslizamiento de la misma.

5. Las tarjetas limpiadoras se pueden utilizar aproximadamente 30 veces. Si están dañadas o muy sucias, póngase en contacto con su proveedor.



8. Solución de problemas

8-1. Problemas al encender el aparato

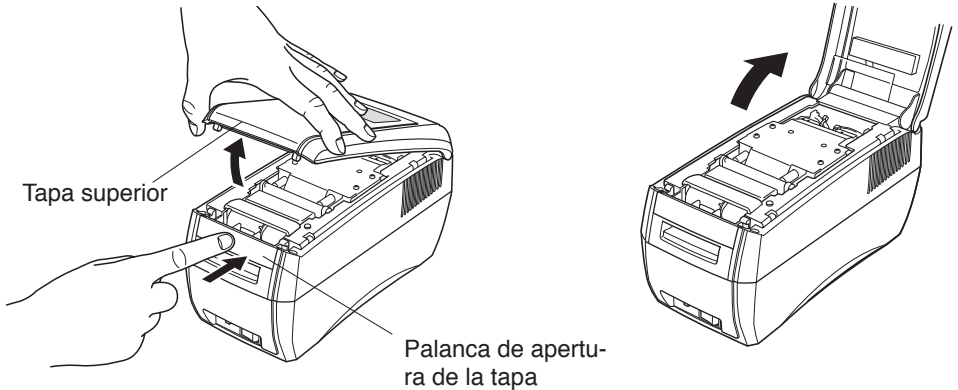
Síntoma		Posible causa	Qué hacer
No se enciende la luz de encendido.	No se aceptan las tarjetas.	El cable de alimentación está mal conectado.	Conecte correctamente el cable de alimentación.
		Hay un cable roto en el cable de alimentación. Se ha roto el hilo del fusible.	Contacte con su proveedor.
	Se aceptan las tarjetas.	Testigo fundido.	
Se enciende la luz de encendido.	No se aceptan las tarjetas.	Error en la impresora/lectora.	Utilice una tarjeta normal.
	Se aceptan las tarjetas, pero la impresora/lectora funciona incorrectamente.	Problema en la tarjeta Tarjeta dañada o doblada, datos de la tarjeta borrados, o introducida tarjeta de otro usuario.	
		Cabezal sucio.	Límpielo con una tarjeta limpiadora.
		El sistema de composición no funciona con normalidad. Error en la impresora/lectora.	Contacte con su proveedor.

8-2. Problemas durante el uso

Síntoma	Posible causa	Qué hacer
No se expulsan las tarjetas.	Tarjeta atascada.	Vuelva a encender la impresora/lectora. Si las tarjetas siguen sin ser expulsadas, apague el aparato y abra la tapa superior. A continuación, tire de la palanca para levantar la parte superior del mecanismo y retirar la tarjeta.
Se producen errores de lectura o de impresión.	Tarjeta inadecuada.	Utilice las tarjetas recomendadas.
	Se está utilizando otro tipo de tarjeta.	Use la tarjeta adecuada.
	Datos de tarjeta borrados por campo magnético.	Emita una nueva tarjeta.
	Tarjeta doblada.	
	Tarjeta dañada.	
Cabezal sucio.	Límpielo con una tarjeta limpiadora.	

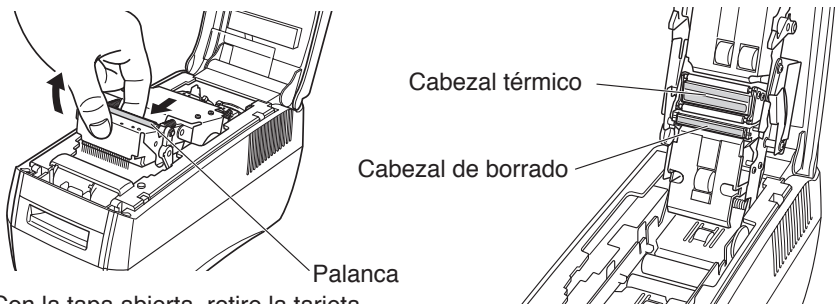
8-3. Cómo retirar tarjetas atascadas

1. Apague la impresora/lectora y desconéctela de la toma de corriente.
2. Pulse la palanca de apertura de la tapa.
3. Con la tapa superior abierta, levante la tapa superior.



4. Levante el mecanismo mientras tira de la palanca del mecanismo (verde).

Nota: No toque el cabezal térmico ni el de borrado: podría quemarse.



5. Con la tapa abierta, retire la tarjeta.

Precaución: Si intentase retirar la tarjeta tirando a la fuerza de ella podría dañar sus partes internas, como por ejemplo las guías de la tarjeta. Retire la tarjeta empujándola a lo largo de las guías de la tarjeta hasta que salga de a entrada de a tarjeta.



6. Vuelva a colocar el mecanismo en su posición original.
7. Cierre la tapa superior.

Appendix A: Connection Settings

A-1. RS-232C Interface

< RS-232C Serial Interface Specifications >

- | | | | |
|----|-----------------------|-----------------------|-----------------------------|
| 1 | Connectors | D-Sub 9PIN | (Male) * Reader/Writer Side |
| 2 | Compatible Connectors | D-Sub 9PIN | (Female) * Cable Side |
| 3 | Connector Pins | See Table Below | |
| 4. | I/O Circuit | See Table Below | |
| 5. | Level | RS-232C | |
| 6. | Cable | Cross (Reverse) Cable | |

Pin No.	Signal Name	I/O	Functions
1	NC	-	Not Connected
2	RXD	Input	Reception Data
3	XD	Output	Transmission Data
4	DTR	Output	Data Terminal Ready
5	GND	-	Ground for Signal
6	DSR	Input	Data Set Ready (Not Detected)
7	RTS	Output	Transmission Request
8	CTS	Input	Transmission Ready (Not Detected)
9	NC	-	Not Connected

< Settings for Communication Speed >

To change the serial communication settings, change the following DIP switch settings.
(Ex-factory Default Settings: DSW 1 to 6 are ON, 7 and 8 are OFF.)

Switches	ON	OFF
DSW 1-1	Baud Rate Setting (See table below)	
DSW 1-2		
DSW 1-3	Fixed at On	
DSW 1-4	Parity Disabled	Parity Enabled
DSW 1-5	Odd Parity	Even Parity
DSW 1-6	Fixed at On	
DSW 1-7	Fixed at Off	
DSW 1-8	Fixed at Off	

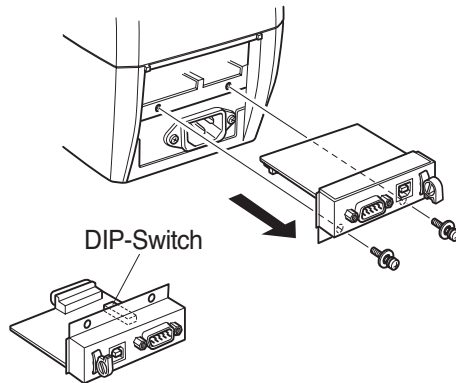
Baud Rates BPS	4800 BPS	9600 BPS	19200 BPS	38400 BPS
DSW 1-1	OFF	ON	ON	OFF
DSW 1-2	ON	ON	OFF	OFF

* If incorrect switch settings are made, there may be a failure of the card reader/writer.
Be careful when making setting changes.

To change the DIP switch settings, do the following.

1. Check that the power is turned off for both the reader/writer and the host computer.
2. Remove the two screws.
3. Pull out the interface card to remove it.
4. Change the DIP switch settings on the interface card.
5. Push in the interface card to mount it.
6. Tighten the two screws.
7. Turn on the power for both the reader/writer and the host computer.

Note: The new settings will take effect when the reader/writer power is turned back on.



A-2. USB Interface Specifications.

- | | | |
|---|----------------------|------------------------------------|
| 1 | Communication Rating | Conforms to USB 2.0 Specifications |
| 2 | Communication Speed | USB Full Speed Mode (Max. 12 MBPS) |
| 3 | Communication Method | USB Bulk Transmission Mode |
| 4 | Power Specifications | USB Self-power Function |
| 5 | Connectors | Type-B |

Appendix B: Removing / Installing Interface Board

B-1. Removing

1. Turn off the power switch. Then, unplug the power cord from the outlet.
2. Remove the two screws as shown in the figure below.
3. Pull the interface board in the direction of the arrow to remove it.

B-2. Installing

1. Insert the interface board to the reader/writer.
Note: Firmly insert so that the reader/writer connector and the interface board connector are securely connected.
2. Tighten the two screws to fasten the interface board.
3. After connecting the interface board, run a test print using the following steps before connecting the interface cable. If the connection is good, the model of the connected I/F will be printed.

< How to Run a Test Print >

Turn on the power while pressing the CLEANING switch. The buzzer will ring and the green status lamp will flash. Press the CLEANING switch again. The status lamp will switch to orange and will flash. Insert a card in this state. This will cause the system to automatically write data to the magnetic stripe and to read data therefrom. The test results will be printed, and the card will be discharged. The results of reading and writing to the magnetic stripe, the setting rank of the erase/print heads, the status of the EEPROM setting, the type of interface being used and the ROM version are printed in order for the test results.

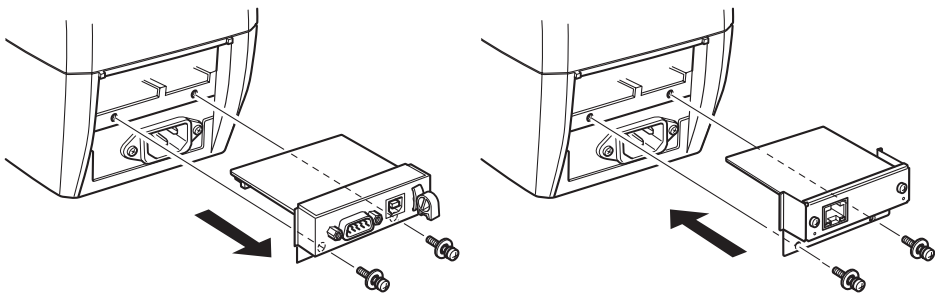
Use a PET type card with the predetermined magnetic stripe on both sides to run a test print.

When performing a test print, magnetic data for the test is written to the card.

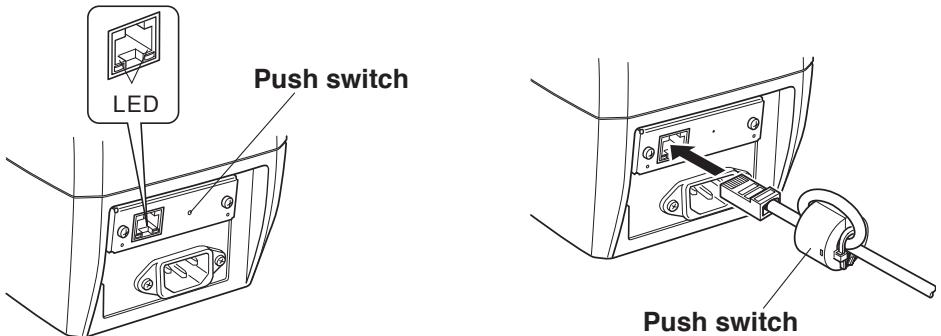
Use a card whose magnetic stripe can be overwritten without causing a problem.

(Use a card that is right for the print settings on the card reader/writer.)

Note: A USB cable is not an accessory part. Purchase one that meets specifications.



Appendix C: Optional Ethernet Interface IFBD-HE05



<Initializing Settings>

To initialize the setting information, set the push switch as described below.

Push the switch for 1 to 5 seconds while the unit is operating in the normal mode. The green and red LEDs will flash with a regular pattern.

In this state, momentarily push the switch once again to turn OFF both the green and red LEDs. This will revert the interface board to its factory settings. After the interface board has been initialized, the unit will automatically reboot itself.

<LED Display>

Green (100M): Lights when the port is operating at 100 Mbps.

Red (Link/Activity): Lights when the link is made between the port and the connected device, and mutual communication is enabled.

<Connecting the Ethernet Cable>

1. An Ethernet cable is not included with the unit. Please provide a cable that is appropriate for the specs.
2. To prevent electromagnetic interference, attach the supplied ferrite core, which is supplied with the Ethernet board, to the cable.
3. For details on how to attach the ferrite core, see the installation sheet that is supplied with the Ethernet board.
4. Insert the Ethernet cable into the interface board connector.

Appendix D: General Specifications

Item		Specifications
Card Specification		Plastic card (JIS X6301 / ISO 7810:type ID-1)
Card Transport Unit	Transport Method	Rollers
	Card Insertion Direction	One Direction
	Card Travel Speed	300 mm/s (at high speed: When reading) 30 mm/s (at slow speed: when erasing/printing)
Magnetic Stripe	Functions	JISII type (1 track) read/write (TCP400) ISO type (3 tracks) read/write (TCP410)
Print Unit	Number of Print Characters	Max. 21 characters x 13 lines (504 x 320 dots)
	Printing Character Types	ANK Code Page 437, Code Page 858 GB, BIG 5 (Varies according to model and font settings.) External characters, graphics
	Dot Configuration	24 x 12, 24 x 24, 48 x 24, 24 x 48, 48 x 48
	Dot Pitch	Vertical Direction: 0.125 mm Horizontal Direction: 0.121 mm
Environment Conditions	Location of Use	Indoors
	Ambient Temperature and Humidity	5 to 35°C, 20 to 80% RH (There must be no condensation.)
	Storage Temperature and Humidity	-30 to 65°C, 20 to 90% RH (There must be no condensation.)
	Shock Durability	1.5 G 7 to 100 Hz XYZ Directions for one hour (When packaged)
Recommended cards		STAR Recommended Thermal Re-writing Cards
Power Source		AC 90 to 132 V 50/60Hz AC 198 to 264 V 50Hz
Interface		RS-232C D-sub 9 Pin & USB Ethernet (option)
Mass		Approximately 2.5 kg
External Dimensions *1		119 (W) x 132.5 (H) x 270.5 (D) mm

*1: Not including the protruding portion of the interface.



**ELECTRONIC PRODUCTS DIVISION
STAR MICRONICS CO., LTD.**

536 Nanatsusinya, Shimizu-ku,
Shizuoka, 424-0066 Japan
Tel: 054-347-0122, Fax: 054-347-0409

Please access the following URL
<http://www.star-m.jp/eng/dl/dl03.htm>
for the latest revision of the manual

**OVERSEAS SUBSIDIARY COMPANIES
STAR MICRONICS AMERICA, INC.**

1150 King Georges Post Road, Edison,
NJ 08837-3729 U.S.A.
Tel: 732-623-5555, Fax: 732-623-5590
<http://www.starmicronics.com>

STAR MICRONICS EUROPE LTD.

Star House, Peregrine Business Park, Gomm Road,
High Wycombe, Bucks, HP13 7DL, U.K.
Tel: 01494-471111, Fax: 01494-473333
<http://www.StarMicronicsEurope.com>

Free Manuals Download Website

<http://myh66.com>

<http://usermanuals.us>

<http://www.somanuals.com>

<http://www.4manuals.cc>

<http://www.manual-lib.com>

<http://www.404manual.com>

<http://www.luxmanual.com>

<http://aubethermostatmanual.com>

Golf course search by state

<http://golfingnear.com>

Email search by domain

<http://emailbydomain.com>

Auto manuals search

<http://auto.somanuals.com>

TV manuals search

<http://tv.somanuals.com>