

***SLIP PRINTER***

**SP298 SERIES**

***USER'S MANUAL  
MODE D'EMPLOI  
BEDIENUNGSANLEITUNG  
MANUALE DI ISTRUZIONI***



**Federal Communications Commission  
Radio Frequency Interference  
Statement**

This device complies with Part 15 of the FCC Rules. Operation is subject to the following two conditions: (1) This device may not cause harmful interference, and (2) this device must accept any interference received, including interference that may cause undesired operation.

**NOTE:** This equipment has been tested and found to comply with the limits for a Class A digital device, pursuant to Part 15 of the FCC Rules. These limits are designed to provide reasonable protection against harmful interference when the equipment is operated in a commercial environment. This equipment generates, uses and can radiate radio frequency energy and, if not installed and used in accordance with the instruction manual, may cause harmful interference to radio communications. Operation of this equipment in a residential area is likely to cause harmful interference in which case the user will be required to correct the interference at his own expense.

*This statement will be applied only for the equipments marketed in U.S.A.*

**FCC WARNING**

Changes or modifications not expressly approved by the party responsible for compliance could void the user's authority to operate the equipment.

For compliance with the Federal Noise Interference Standard, this equipment requires a shielded cable.

For RF interference suppression, if a ferrite core is provided with this device, affix it to the interface cable.

**Statement of  
The Canadian Department of Communications  
Radio Interference Regulations**

This Class A digital apparatus complies with Canadian ICES-003.

Cet appareil numérique de la classe A est conforme à la norme NMB-003 du Canada.

*The above statement applies only to printers marketed in Canada.*

**Trademark acknowledgments**

SP298, AutoSide Loading: Star Micronics Co. Ltd.

ESC/POS, TM-295, TM-290: Seiko Epson Corporation

**Notice**

- All rights reserved. Reproduction of any part of this manual in any form whatsoever, without STAR's express permission, is strictly forbidden.
- The contents of this manual are subject to change without notice.
- All efforts have been made to ensure the accuracy of the contents of this manual at the time of printing. However, should any errors be found, STAR would greatly appreciate being informed of them.
- The above notwithstanding, STAR can assume no responsibility for any errors in this manual.

© Copyright 1998-2009 Star Micronics Co., Ltd.

# TABLE OF CONTENTS

<b>Chapter 1:</b>	<b>Printer Setup .....</b>	<b>1</b>
	Choosing a place for the printer .....	1
	Unpacking the printer .....	2
	Removing the protective materials .....	2
	General guide .....	3
	Removing the printer cover .....	4
	Installing the ribbon cassette .....	4
	Removing the ribbon cassette .....	6
	Connecting to a power outlet and turning power on and off .....	6
	Connecting to your host computer .....	8
	Connecting to a peripheral unit .....	10
	Inserting the paper into the printer .....	11
	AutoSide Loading™ .....	12
<b>Chapter 2:</b>	<b>Control Panel Operations .....</b>	<b>14</b>
	Indicator lights .....	14
	Buttons .....	15
	Producing a test print .....	15
	Adjusting the dot alignment .....	15
	Hexadecimal dump .....	17
	Errors .....	18
<b>Chapter 3:</b>	<b>Command Summary .....</b>	<b>20</b>
	Star Mode Commands .....	20
	ESC/POS Mode Commands (TM-295 emulation).....	26
	ESC/POS Mode Commands (TM-290 emulation).....	28
<b>Appendix A:</b>	<b>Specifications .....</b>	<b>120</b>
<b>Appendix B:</b>	<b>Making DIP Switch Settings.....</b>	<b>125</b>
<b>Appendix C:</b>	<b>Memory Switch Settings .....</b>	<b>130</b>
<b>Appendix D:</b>	<b>Interface .....</b>	<b>131</b>
<b>Appendix E:</b>	<b>Peripheral Unit Driver Circuit.....</b>	<b>137</b>

Please access the following URL  
<http://www.star-m.jp/eng/dl/dl02.htm>  
 for the latest revision of the manual.

## ***Chapter 1: Printer Setup***

---

This chapter contains important information on setting up your printer. Be sure to read this chapter carefully before using the printer for the first time. In this chapter you will learn about:

- Choosing a place for the printer
- Unpacking and setting up the printer
- Installing the ribbon cassette
- Connecting to a host computer
- Inserting paper

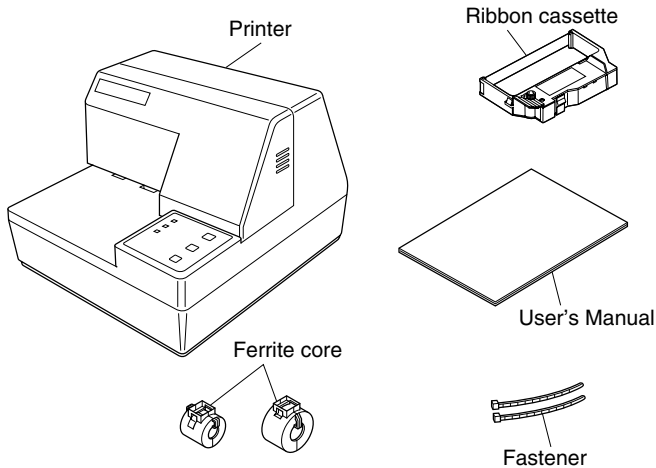
### ***Choosing a place for the printer***

Before actually unpacking the printer, you should take a few minutes to think about where you plan to use it. Remember the following points when doing this.

- ✓ Choose a firm, level surface where the printer will not be exposed to vibration.
- ✓ The power outlet you plan to connect to for power should be nearby and unobstructed.
- ✓ Make sure that the printer is close enough to your host computer for you to connect the two.
- ✓ Make sure that the printer is not exposed to direct sunlight.
- ✓ Make sure that the printer is well away from heaters and other sources of extreme heat.
- ✓ Make sure that the surrounding area is clean, dry, and free of dust.
- ✓ Make sure that the printer is connected to a reliable power outlet. It should not be on the same electric circuit as copiers, refrigerators, or other appliances that cause power spikes.
- ✓ Use a power outlet that matches the power rating noted on the label affixed to the bottom of your printer.
- ✓ Make sure that the room where you are using the printer is not too humid.

## Unpacking the printer

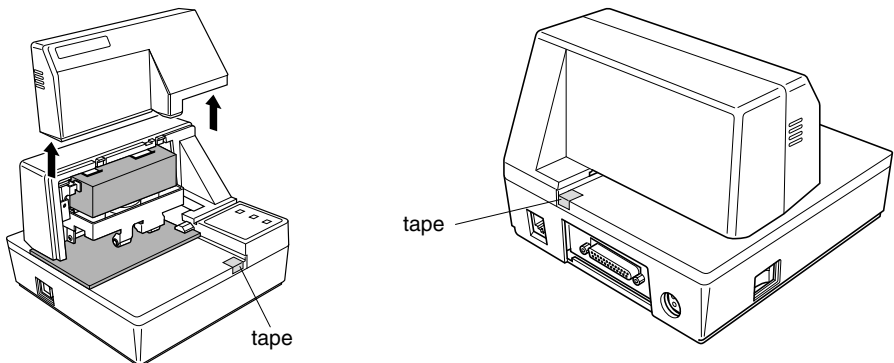
Check to make sure that the carton contains each of the items shown in the following illustration.



If anything is missing, contact the dealer where you bought the printer and ask them to supply the missing part. Note that it is a good idea to keep the original box and all the packing materials just in case you need to pack the printer up again and send it somewhere at a later date.

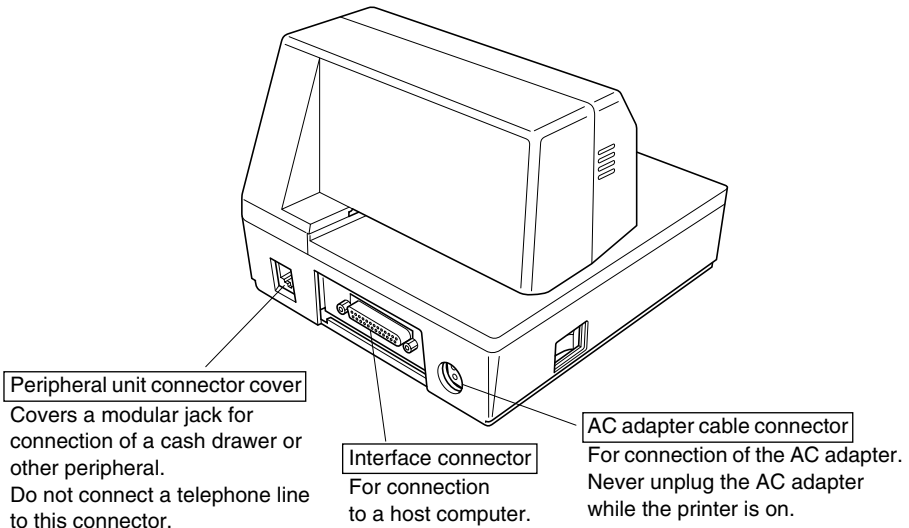
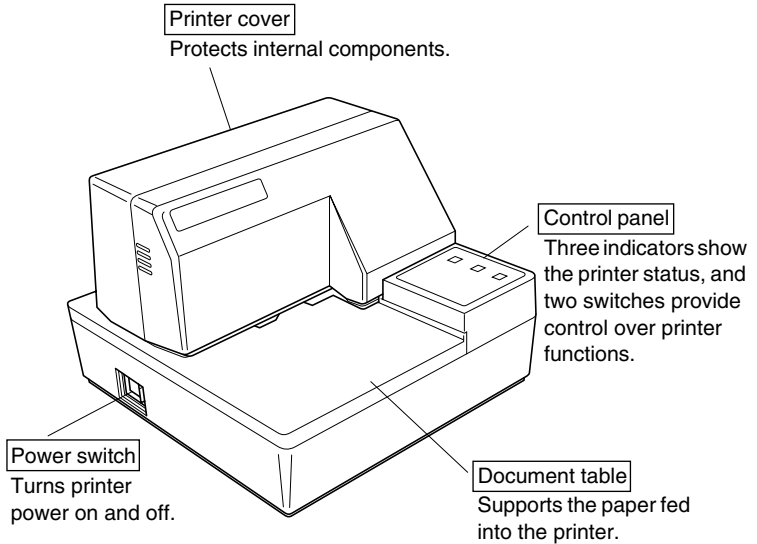
## Removing the protective materials

Four protective materials are inserted into the printer to protect components during shipping. Before using the printer, be sure to remove all protective materials as shown in the illustration.



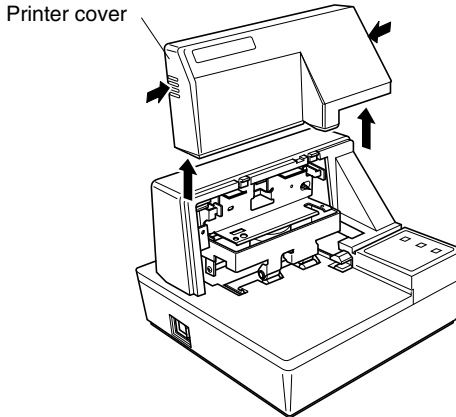
## General guide

The following illustrations describe the major components, buttons, and connectors of your printer.



## Removing the printer cover

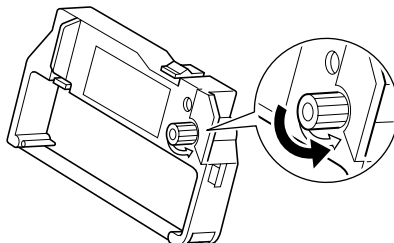
- ❑ Push straight up on the ridged locations on the sides of the printer cover to remove it from the printer.



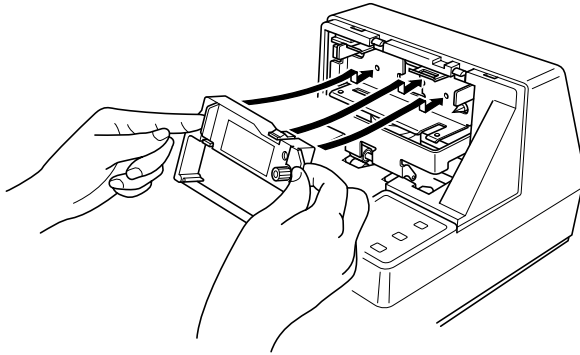
- ❑ To replace the cover, slide it back down into position. Gently press down on the cover until you hear it click securely into place.

## Installing the ribbon cassette

- ❑ Make sure that the printer's paper release is activated (the paper is not held in place by the paper feed roller). If it cannot be determined whether or not the paper release is activated, turn on the printer and check if the **RELEASE** indicator on the control panel is lit. If the indicator is not lit, press the **RELEASE** button until the indicator lights up.
- ❑ Make sure that the printer is turned off and unplugged from its power outlet.
- ❑ Remove the printer cover.
- ❑ Remove the ribbon cassette from its packaging, and turn its knob in the direction indicated by the arrow to take up any slack in the ribbon.



- Holding the ribbon cassette so that the ribbon is facing down, install the cassette into the slip printer as shown in the illustration.

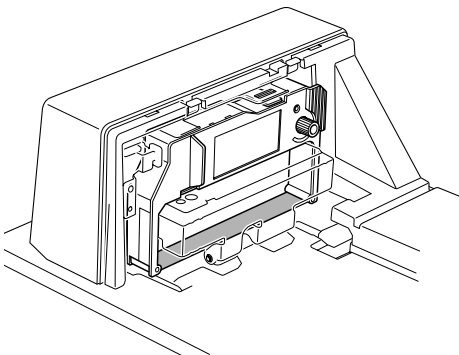


- Press gently but firmly on the cassette until it snaps securely into place.
- Rotate the knob on the cassette again to take up any slack.
- Replace the printer cover.

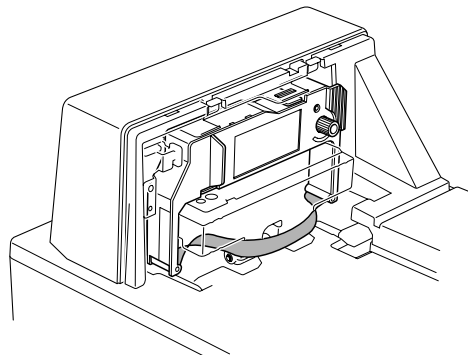
---

### ***Important!***

*Make sure that the ribbon is not twisted before installing the ribbon cassette. Otherwise, the ribbon may become jammed in the printer and damage the ribbon rollers.*



<Correct: Ribbon is not twisted>



<Incorrect: Ribbon is twisted>

*In addition, if the ribbon becomes twisted after installation, remove the ribbon cassette, untwist the ribbon, and then reinstall the cassette.*

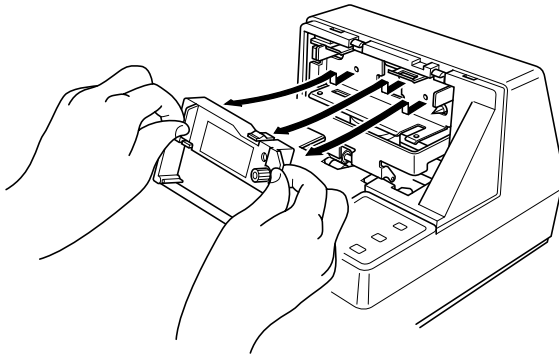
---



## ***Removing the ribbon cassette***

Use the following procedure to remove the ribbon cassette from the slip printer when you want to replace it with a new one.

- Make sure that the printer is turned off and unplugged from its power outlet.
- Remove the printer cover.
- Grasping the ribbon cassette as shown, gently pull it away from the printing mechanism.



- Use the procedure under “Installing the ribbon cassette” on page 4 to install a new cassette.

## ***Connecting to a power outlet and turning power on and off***

- Plug the AC adapter that comes with the printer into the printer’s AC adapter cable connector.
- Connect a three-prong grounded power cord to the power cord connector of the AC adapter.

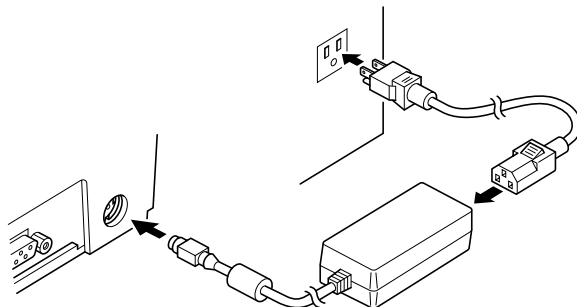
---

### ***Note:***

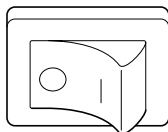
*The printer does not come with a power cord, so you must provide one yourself.*

---

- ❑ Plug the other end of the power cord to a standard household wall outlet.



- ❑ Use the power switch on the left side of the printer to turn power on and off.



---

### ***Important!***

*We recommend that you unplug the printer from the power outlet whenever you do not plan to use it for long periods. Because of this, you should locate the printer so that the power outlet it is plugged into is nearby and easy to access.*

---

At this point you may want to perform a test of the printer to make sure it is working properly. See page 15 for details on how to test the printer.

## Connecting to your host computer

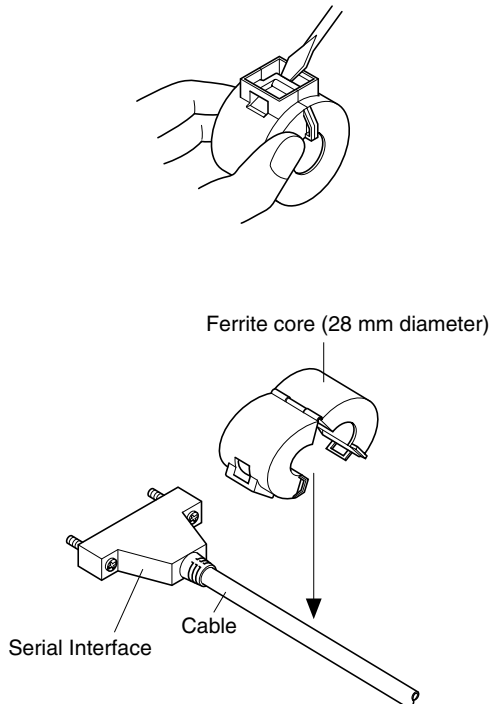
The computer sends data to the printer through a cable to the printer's interface (Serial Interface Connector Type: D-sub 25-pin or Parallel Interface Connector Type: 36-pin Centronics compatible). This printer does not come with a cable, so it is up to you to obtain one that suits your needs.

---

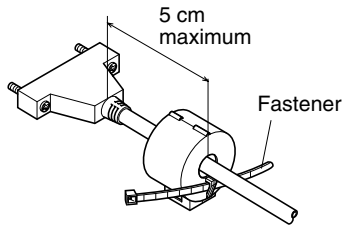
### Important!

- *The following instructions apply to the cable that is used with an IBM-compatible personal computer. Note that they do not apply to all types of computers and cables. If you are unsure about what type of cable you should use to connect with your computer, consult your dealer.*
  - *Make sure that the printer is turned off and unplugged from the AC outlet and that the computer is turned off before connecting them.*
- 

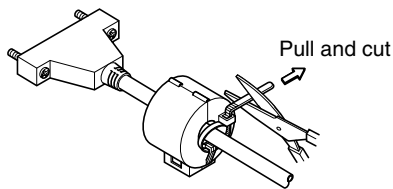
- Affix the larger ferrite core onto the cable as shown in the illustration below.



Pass the fastener through the ferrite core.



Loop the fastener around the cable and lock it. Use scissors to cut off any excess.



#### For a serial cable:

- Plug one end of the serial cable into the serial port of your computer, and the other end of the cable into the socket on the back of the printer. Secure both connectors in place with the screws that are provided.

#### For a parallel cable:

- Attach a ferrite core in the same way that one is attached to a serial cable.
- Plug one end of the parallel cable into the parallel port of your computer. The parallel port should be labeled "Printer", "Parallel", "PRN", "LPT1" or something similar.
- Plug the other end of the parallel cable into the socket on the side of the printer and secure it in place with the clips.

## Connecting to a peripheral unit

You can connect a peripheral unit to the printer using a modular plug. The following describes how to install the ferrite core and make the actual connection. See “Modular plug” on page 137 for details about the type of modular plug that is required. Note that this printer does not come with a modular plug or wire, so it is up to you to obtain one that suits your needs.

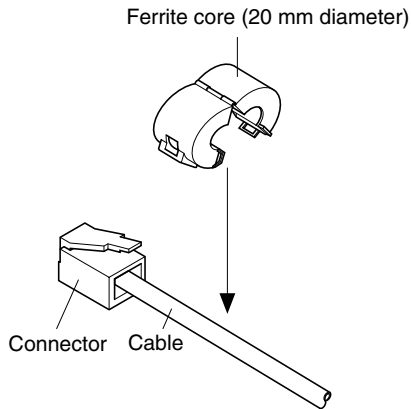
---

### Important!

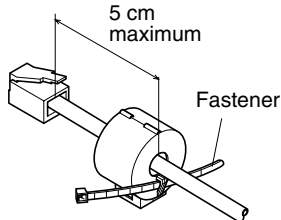
*Make sure that the printer is turned off and unplugged from the AC outlet and that the computer is turned off before making connections.*

---

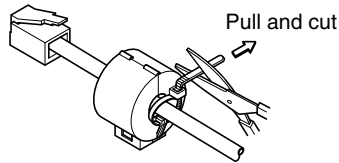
- ❑ Affix the smaller ferrite core onto the modular wire as shown in the illustration below.



Pass the fastener through the ferrite core.



Loop the fastener around the cable and lock it. Use scissors to cut off any excess.



- Plug one end of the modular cable into the modular jack of the peripheral.
- Remove the modular jack cover from the back of the printer and plug the other end of the modular cable into the jack of the printer.

### ***Inserting the paper into the printer***

Use only the specified type of paper for this printer. Do not use inappropriate types of paper, or it could cause malfunction or damage of the printer.

The following procedure describes how to print on paper. Before trying to print, be sure to install a ribbon cassette into the printer using the procedure under “Installing the ribbon cassette” on page 4.

- Make sure that the printer is plugged in and turned on.
- Check that the **RELEASE** indicator on the control panel is lit. If the indicator is not lit, press the **RELEASE** button until the indicator lights up.

---

### ***Important!***

*Insertion and removal of paper should be done only when the printer is released condition (the paper is not held by paper feed roller).*

---

- ❑ Place a piece of the paper onto the printer's document table and slide its right edge into the printer. Printing will be performed on the side of the paper that is facing up (the one you can see), starting from the top of the paper.

---

**Important!**

*Do not use wrinkled or curled paper. In case of multiple paper, neatly align the sheets.*

---

Though paper can be inserted either from the front or side of the printer, front paper insertion may result in paper jams, depending on the condition of the paper. Because of this, it is recommended that you always insert paper from the side.

**AutoSide Loading™**

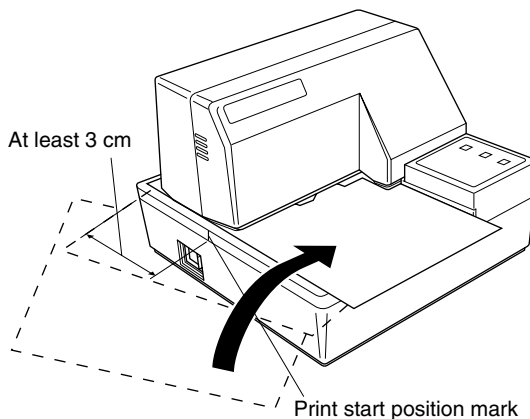
This printer is equipped with paper sensors, so you do not have to perform any special procedure to align the location from which printing should start. Simply insert the paper into the printer and the sensor locates the top of the paper. The paper will be moved automatically into position for printing.

---

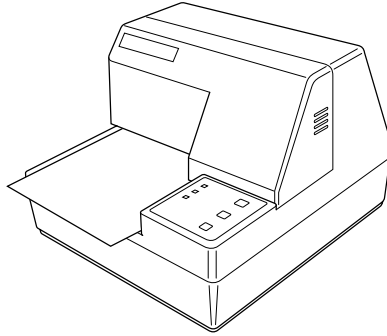
**Important!**

*When inserting the paper into the printer, make sure that there are at least 3 cm between the top edge of the paper and the print start position mark on the printer. Otherwise the paper sensor may not be able to correctly locate the top of the paper.*

---



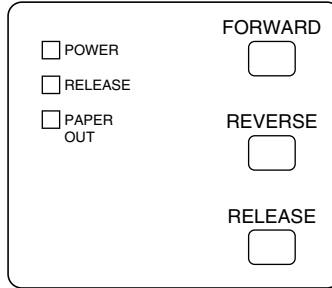
- Push the right edge of the paper into the printer until it stops. At that time, the **PAPER OUT** indicator will go out, and the printer mechanism will automatically align the paper for printing from the top.
- Send data from your host computer to be printed on the paper.
- After printing, press the **RELEASE** button to automatically release the paper.





## Chapter 2: Control Panel Operations

The control panel gives you some push-button control over the slip printer operation. It also includes indicator lights, which tell you the current status of the printer at a glance.



### Indicator lights

The following table describes the meaning of indicator lights when it is on, off, or flashing.

Indicator Light	Off	On	Flashing
<b>POWER</b>	Power off	Power on	Dot Alignment Adjust Mode
<b>PAPER OUT</b>	Paper inserted	No paper	Insert paper prompt
<b>RELEASE</b>	Slip paper engaged	Slip paper released	Mechanical error

## Buttons

The following table describes the function of the three control buttons of the control panel.

Button	Description
<b>FORWARD</b>	Feeds the slip paper forward, toward the back of the printer. One press feeds one line, holding down performs continuous feed.
<b>REVERSE</b>	Feeds the slip paper back, toward the front of the printer. One press feeds one line, holding down performs continuous feed.
<b>RELEASE</b>	Activates the printer's paper release (the paper is not held in place by the paper feed roller). Clears recoverable errors.

## Producing a test print

The following procedure can be used at any time to test the printer.

- Turn on the printer and insert a piece of paper (page 6, 11).
- Turn off printer power.
- While holding down **RELEASE**, turn printer back on. Keep **RELEASE** depressed for a few moments until the printer beeps and the printer test print starts.

The printer test will continue until it reaches the end of the paper.

## Adjusting the dot alignment

You may never have to use the procedure described in this section, but after you have been using your printer for some time you may find that the dots of some graphics do not align correctly. For example, what should look like:



may come out looking like one of the following:



or like this

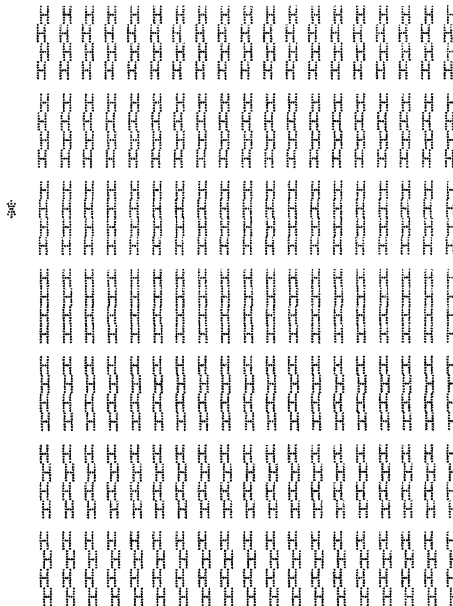


This is caused when mechanical parts of the printer get out of alignment. This happens only rarely and you may never experience it at all throughout the life of the printer. If you do have problems, use the following procedure to correct it.

- Turn on the printer and insert a piece of paper.
- Turn off printer power.
- While holding down the control panel's **FORWARD** and **REVERSE** buttons, turn the printer back on to enter the Dot Alignment Adjust Mode, which is indicator by a flashing **POWER** indicator flashes.

Entering the Dot Alignment Adjust Mode causes seven blocks to be printed, each of which indicates a dot alignment setting, as shown below. An asterisk to the left of the blocks indicates which block is currently selected.

#### Dot Alignment Adjust Mode



- Use **FORWARD** to specify the block that appears to have the best aligned characters. Press **FORWARD** once to specify the first block, twice to specify the second block, and so on up to seven times to specify the seventh block.  
Warning beep will sound if you press **FORWARD** more than seven times.
- After specifying a block, press **REVERSE** to register your selection and exit the Dot Alignment Adjust Mode.



## Errors

There are three types of errors: *recoverable* errors that require some action by you before they clear, *non-recoverable* errors that require servicing by an authorized service provider, and a *data receive* error. Errors are indicated by and audible buzzer and the indicators.

### Recoverable Errors

Error Type	Indicators			Recovery
	POWER	RELEASE	PAPER OUT	
Paper jam		Flashing		Correct the cause of the problem and then press RELEASE.
Carriage motor lockup				
Abnormal home position signal				
Abnormal timing signal				

### Non-recoverable Errors

Error Type	Indicators			Recovery
	POWER	RELEASE	PAPER OUT	
RAM read/write	Off	On	On	Turn off the printer, then after waiting a few minutes, turn the printer back on. If the printer does not recover, contact your nearest service provider.
CPU lockup				

### Data Receive Error

This type of error is caused whenever a problem is encountered during data receipt. The method used by the printer to recover from a data receive error depends on the current command mode.

Command mode	Data Receive Error Recover Procedure
Star mode	The printer prints a question mark.
ESC/POS mode	Memory switch 4-0=0 : The printer prints a question mark. Memory switch 4-0=1 : The printer discards the received data.

## Paper Sensors

The following paper sensors are available.

TOF Sensor

This top-of-form sensor detects the leading edge of the paper.

When enabled, the TOF sensor detects when there is no paper present and stops printing.

BOF Sensor

This bottom-of-form sensor detects the trailing edge of the paper. When enabled, the BOF sensor detects when there is no paper present and printing is interrupted.

When the TOF or BOF sensor detects that no paper is present, the printer stops its motor after printing of 0 to a maximum of two more lines.

The BOF sensor detects a paper out condition whenever the distance between print head pin #9 and the trailing edge of the paper becomes 38.1 mm or less. In the Star Mode, this enters the print stop operation, but in the ESC/POS Mode, the print stop operation is not entered until the distance between print head pin #9 and the trailing edge of the paper becomes 27.3 mm or less.

When the auto clamp is enabled with Memory Switch 5-1, the auto clamp operation is performed about 0.7 second (initial default in Star Mode; ESC/POS Mode initial value is approximately 1 second) after the presence of paper is detected both by the TOF and BOF sensors, following a paper out condition. The auto clamp function is not affected by whether the TOF or BOF sensor is enabled or disabled.

The top of form positioning function is enabled with Memory Switch 5-0. Even if the auto clamp function is disabled, auto top of form positioning is performed if the paper is clamped when printing starts.

The PAPER OUT lamp flashes to request insertion of paper when the sensors detect there is no paper (when a sensor enabled by command detects no paper) after data is received by the printer. At that time, the user inserts paper, and printing begins after the sensor detects that paper is present.

## Chapter 3: Command Summary

This printer supports two different command modes: the Star mode and the ESC/POS mode.

The Star mode emulates previous Star printers. The ESC/POS mode emulates the Epson TM-295 or TM-290 slip printer.

This chapter provides you with all of the commands supported by this printer.

---

### Important!

Access the following URL for the latest version of this manual and for updates on supported commands: [http://www.star-micronics.co.jp/service/sp\\_sup\\_e.htm](http://www.star-micronics.co.jp/service/sp_sup_e.htm)

---

### Star Mode Commands

The following tables show the Star mode commands that are supported by this printer.

#### Character Selection

Control Codes	Hexadecimal Codes	Function
<ESC> "R" <i>n</i>	1B 52 <i>n</i>	Selects the international character set
<ESC> "/" "1" <ESC> "/" <1>	1B 2F 31 1B 2F 01	Selects slash zero
<ESC> "/" "0" <ESC> "/" <0>	1B 2F 30 1B 2F 00	Selects normal zero
<ESC> <GS> "t" <i>n</i>	1B 1D 74 <i>n</i>	Selects the character code table
<ESC> "M"	1B 4D	Selects the 7 × 9 (half dot) font
<ESC> "P"	1B 50	Selects the 5 × 9 (2 pulses per dot) font
<ESC> "."	1B 3A	Selects the 5 × 9 (3 pulses per dot) font
<ESC> <SP> <i>n</i>	1B 20 <i>n</i>	Sets character spacing
<SO>	0E	Sets the printing magnified double in character width
<DC4>	14	Resets the printing magnified in character width

Control Codes	Hexadecimal Codes	Function
<ESC> "W" <i>n</i>	1B 57 <i>n</i>	Sets the magnification rate in character width
<ESC> "h" <i>n</i>	1B 68 <i>n</i>	Sets the magnification rate in character height
<ESC> "_ " "1" <ESC> "_ " <1>	1B 2D 31 1B 2D 01	Selects underlining
<ESC> "_ " "0" <ESC> "_ " <0>	1B 2D 30 1B 2D 00	Cancel underlining
<ESC> "_ " "1" <ESC> "_ " <1>	1B 5F 31 1B 5F 01	Selects upperlining
<ESC> "_ " "0" <ESC> "_ " <0>	1B 5F 30 1B 5F 00	Cancel upperlining
<ESC> "4"	1B 34	Selects highlight printing
<ESC> "5"	1B 35	Cancel highlight printing
<SI>	0F	Inverted printing
<DC2>	12	Cancel inverted printing
<ESC> <RS> "i" "0" <ESC> <RS> "i" <0>	1B 1E 96 30 1B 1E 96 00	Cancel rotated print mode for text (Default)
<ESC> <RS> "i" "1" <ESC> <RS> "i" <1>	1B 1E 96 31 1B 1E 96 01	Specifies rotated print mode for text with a 270° rotation.
<ESC> <RS> "i" "2" <ESC> <RS> "i" <2>	1B 1E 96 32 1B 1E 96 02	Specifies rotated print mode for text with a 90° rotation.
<ESC> "E"	1B 45	Selects emphasized printing
<ESC> "F"	1B 46	Cancel emphasized printing
<ESC> "U" <i>n</i>	1B 55 <i>n</i>	Selects print direction



## Print Position Control

Control Codes	Hexadecimal Codes	Function
<LF>	0A	Line feed
<CR>	0D	Carriage Return
<ESC> "a" <i>n</i>	1B 61 <i>n</i>	Feeds paper <i>n</i> lines
<HT>	09	Horizontal tab
<ESC> "A" <i>n</i>	1B 41 <i>n</i>	Defines <i>n</i> /72-inch line spacing
<ESC> "2"	1B 32	Sets <i>n</i> /72-inch line spacing
<ESC> "z" "0" <ESC> "z" <0>	1B 7A 30 1B 7A 00	Sets line spacing to 1/12-inch
<ESC> "z" "1" <ESC> "z" <1>	1B 7A 31 1B 7A 01	Sets line spacing to 1/6-inch
<ESC> "0"	1B 30	Sets line spacing to 1/8-inch
<ESC> "1"	1B 31	Sets line spacing to 7/72-inch
<ESC> "J" <i>n</i>	1B 4A <i>n</i>	One time <i>n</i> /72-inch feed
<ESC> "j" <i>n</i>	1B 6A <i>n</i>	One time <i>n</i> /72-inch backfeed
<ESC> "3" <i>n</i>	1B 33 <i>n</i>	Sets line spacing to <i>n</i> /216-inch approximately
<ESC> "y"	1B 79 <i>n</i>	Sets line spacing to <i>n</i> /144-inch
<ESC> "D" <i>n1 n2 ...</i> <0>	1B 44 <i>n1 n2 ...</i> 00	Sets horizontal tab stops
<ESC> "l" <i>n</i>	1B 6C <i>n</i>	Sets left margin
<ESC> "Q" <i>n</i>	1B 51 <i>n</i>	Sets right margin
<ESC> <GS> "a" "0" <ESC> <GS> "a" <0>	1B 1D 61 30 1B 1D 61 00	Left justification (Default)
<ESC> <GS> "a" "1" <ESC> <GS> "a" <1>	1B 1D 61 31 1B 1D 61 01	Centering
<ESC> <GS> "a" "2" <ESC> <GS> "a" <2>	1B 1D 61 32 1B 1D 61 02	Right justification

## Dot Graphics Control

Control Codes	Hexadecimal Codes	Function
<ESC> "K" n <0> m1 m2 ...	1B 4B n 00 m1 m2 ...	8 dot normal density graphics
<ESC> "L" n1 n2 m1 m2 ...	1B 4C n1 n2 m1 m2 ...	8 dot high density graphics

## Download Graphics Printing

Control Codes	Hexadecimal Codes	Function
<ESC> "&" <0> n1 n2 ..	1B 26 00 n1 n2 ..	Defines download characters
<ESC> "%" "1" <ESC> "%" <1>	1B 25 31 1B 25 01	Enables download character set
<ESC> "%" "0" <ESC> "%" <0>	1B 25 30 1B 25 00	Disables download character set

## Peripheral Device Control

Control Codes	Hexadecimal Codes	Function
<ESC> <BEL> n1 n2	1B 07 n1 n2	Defines drive pulse width for peripheral device #1
<BEL>	07	Controls peripheral device #1
<FS>	1C	Controls peripheral device #1 immediately
<EM>	19	Controls peripheral device #2 immediately
<SUB>	1A	Controls peripheral device #2 immediately

## Slip Control

Control Codes	Hexadecimal Codes	Function
<ESC> <SI> <i>n</i>	1B 0F <i>n</i>	Setting slip sensor
<ESC> <FF> <i>n</i>	1B 0C <i>n</i>	Slip function
<ESC> <VT> <i>m n</i>	1B 0B <i>m n</i>	Sets the paper eject direction/length
<ESC><EM> <i>mn</i> <LF><NUL>	1B 19 <i>n m</i> 0A 00	Sets the wait time until the automatic clamp is activated

## Page mode

Control Codes	Hexadecimal Codes	Function
<ESC> "n"	1B 6E	Selects page mode
<ESC> "l"	1B 21	Selects line mode
<ESC> "*" ...	1B 2A ...	Setting print area in page mode
<ESC> "T" <i>n</i>	1B 54 <i>n</i>	Setting print direction in page mode
<FF>	0C	Prints in page mode

## Other Commands

Control Codes	Hexadecimal Codes	Function
<CAN>	18	Cancels printer buffer & Initialize printer
<DC3>	13	Deselects printer
<DC1>	11	Sets select mode
<RS>	1E	Beeps the buzzer
<ESC> "#N, <i>n1 n2 n3 n4</i> " <LF> <NUL>	1B 23 N 2C <i>n1 n2</i> <i>n3 n4</i> 0A 00	Sets memory switch
<ESC> "@"	1B 40	Initialize printer
<EOT>	04	Transmits EOT status
<ENQ>	05	Transmits ENQ status
<ETB>	17	Confirms finish of printing

Control Codes	Hexadecimal Codes	Function
<ESC><ACK><SOH>	1B 06 01	Transmits automatic status
<ESC><RS> "a" n	1B 1E 61 n	Enables/disables automatic status
<ESC> "?" <LF> <NUL>	1B 3F 0A 00	Resets printer hardware and produce a test print

## ESC/POS Mode Commands (TM-295 emulation)

The following table lists the TM-295 emulation commands that are supported by this printer.

Control Codes	Hexadecimal Codes	Function
<HT>	09	Horizontal tab
<LF>	0A	Line feed
<FF>	0C	Paper eject in single sheet mode Paper mode print and return
<DLE> <EOT>	10 04	Enables real-time status send (Serial I/F only)
<CAN>	18	Cancels print data in page mode
<ESC> SP	1B 20	Sets size of space to right of character
<ESC> !	1B 21	Enables batch print mode
<ESC>#	1B 23	Sets memory switch
<ESC> %	1B 25	Enables/disables download character set
<ESC> &	1B 26	Defines download character
<ESC> *	1B 2A	Selects bit image mode
<ESC> 2	1B 32	Selects 1/6-inch line spacing
<ESC> 3	1B 33	Selects approximate $n/60$ -inch line spacing *1
<ESC> =	1B 3D	Selects peripheral device
<ESC> @	1B 40	Initializes the printer
<ESC> C	1B 43	Sets the eject length for single-sheet printing
<ESC> D	1B 44	Sets horizontal tab position
<ESC> F	1B 46	Enables/disables reverse feed for single-sheet mode
<ESC> J	1B 4A	Prints and $n/60$ -inch (approximate value) paper feed *1
<ESC> K	1B 4B	Prints and $n/60$ -inch (approximate value) reverse paper feed *1

\*1:  $n/60$ -inch line spacing and paper feed commands:

Since the minimum paper feed pitch for this printer is 1/144 inch,  $n/60$  inch can be considered an approximate value. However, the actual value is  $\text{INT}((6n/5) + 0.5)/72$  inch.

Control Codes	Hexadecimal Codes	Function
<ESC> L	1B 4C	Selects page mode
<ESC> R	1B 52	Selects international character set
<ESC> T	1B 54	Selects direction for page mode character printing
<ESC> U	1B 55	Selects print direction
<ESC> V	1B 56	Designates/cancels 90° character rotation
<ESC> W	1B 57	Sets print area for page mode printing
<ESC> a	1B 61	Aligns position
<ESC> c3	1B 63 33	Selects the paper-end sensor for sending the no-paper signal
<ESC> c4	1B 63 34	Selects the paper-end sensor for stopping printing
<ESC> c5	1B 63 35	Enables/disables control panel switches
<ESC> d	1B 64	Prints or feeds <i>n</i> lines
<ESC> e	1B 65	Prints or reverse feeds <i>n</i> lines
<ESC> f	1B 66	Sets single-sheet wait time
<ESC> p	1B 70	Generates specified pulse
<ESC> q	1B 71	Release
<ESC> t	1B 74	Selects character code table
<ESC> u	1B 75	Sends peripheral status (Serial I/F only)
<ESC> v	1B 76	Sends paper sensor status (Serial I/F only)
<ESC> {	1B 7B	Enables/disables inverted printing
<GS> l	1D 49	Sends printer ID (Serial I/F only)
<GS> a	1D 61	Enables/disables automatic send of printer status (Serial I/F only)
<GS> r	1D 72	Sends printer status (Serial I/F only)

## ESC/POS Mode Commands (TM-290 emulation)

The following table lists the TM-290 emulation commands that are supported by this printer.

Control Codes	Hexadecimal Codes	Function
<HT>	09	Horizontal tab
<LF>	0A	Line feed
<FF>	0C	Paper eject in single sheet mode
<ESC> SP	1B 20	Sets size of space to right of character
<ESC> !	1B 21	Enables batch print mode
<ESC> #	1B 23	Sets memory switch
<ESC> *	1B 2A	Selects bit image mode
<ESC> 2	1B 32	Selects 1/6-inch line spacing
<ESC> 3	1B 33	Selects approximate $n/60$ -inch line spacing *1
<ESC> @	1B 40	Initializes the printer
<ESC> D	1B 44	Sets horizontal tab position
<ESC> M	1B 4D	Selects the 7 × 9 font
<ESC> P	1B 50	Selects the 5 × 9 font

\*1:  $n/60$ -inch line spacing and paper feed commands:

Since the minimum paper feed pitch for this printer is 1/144 inch,  $n/60$  inch can be considered an approximate value. However, the actual value is  $\text{INT}((6n/5) + 0.5)/72$  inch.

Control Codes	Hexadecimal Codes	Function
<ESC> R	1B 52	Selects international character set
<ESC> c3	1B 63 33	Selects the paper-end sensor for sending the no-paper signal
<ESC> c4	1B 63 34	Selects the paper-end sensor for stopping printing
<ESC> c5	1B 63 35	Enables/disables control panel switches
<ESC> d	1B 64	Prints or feeds <i>n</i> lines
<ESC> h	1B 68	Sets/Cancel reverse line feed
<ESC> j	1B 6A	Selects character width in vertical printing mode
<ESC> q	1B 71	Release
<ESC> t	1B 74	Selects character code table
<ESC> v <i>n</i>	1B 76 <i>n</i>	Requests paper sensor status (Serial I/F only)
<ESC> {	1B 7B	Enables/disables inverted printing
<FS> J	1C 4A	Sets vertical printing mode
<FS> K	1C 4B	Cancel vertical printing mode
<FS> W	1C 57	Sets/Cancel double-height, double-width printing



# TABLE DES MATIÈRES

<b>Chapitre 1:</b>	<b>Configuration de l'imprimante.....</b>	<b>31</b>
	Emplacement de l'imprimante.....	31
	Déballage de l'imprimante.....	32
	Retrait des matériaux de protection .....	32
	Description générale .....	33
	Ouverture du capot.....	34
	Installation de la cassette à ruban .....	34
	Retrait de la cassette à ruban.....	36
	Raccordement à une prise secteur et mise sous et hors tension.....	36
	Connexion à votre ordinateur-hôte .....	38
	Raccordement d'un appareil périphérique .....	40
	Introduction du papier dans l'imprimante .....	41
	AutoSide Loading™ .....	42
<b>Chapitre 2:</b>	<b>Tableau de commande.....</b>	<b>44</b>
	Témoins lumineux .....	44
	Touches.....	45
	Test d'impression.....	45
	Réglage de l'alignement des points .....	45
	Vidage hexadécimal.....	47
	Erreurs.....	48
<b>Chapitre 3:</b>	<b>Résumé des commandes .....</b>	<b>50</b>
	Les commandes du mode Star .....	50
	Commandes du mode ESC/POS (Émulation de la TM-295) ...	55
	Commandes du mode ESC/POS (Émulation de la TM-290) ...	57
<b>APPENDICE:</b>	<b>.....</b>	<b>120</b>

*L'appendice n'est pas traduit.*

Pour obtenir la dernière version de ce manuel, consultez l'adresse URL suivante :  
<http://www.star-m.jp/eng/dl/dl02.htm>

## Chapitre 1: Configuration de l'imprimante

---

Ce chapitre vous fournira des informations importantes vous permettant de configurer votre imprimante. Veuillez lire attentivement ce chapitre avant d'utiliser l'imprimante pour la première fois. Vous y trouverez des informations qui vous aideront à :

- choisir l'emplacement de votre imprimante ;
- déballer et configurer votre imprimante ;
- installer la cassette à ruban ;
- raccorder l'imprimante à un ordinateur-hôte ;
- insérer un morceau de papier.

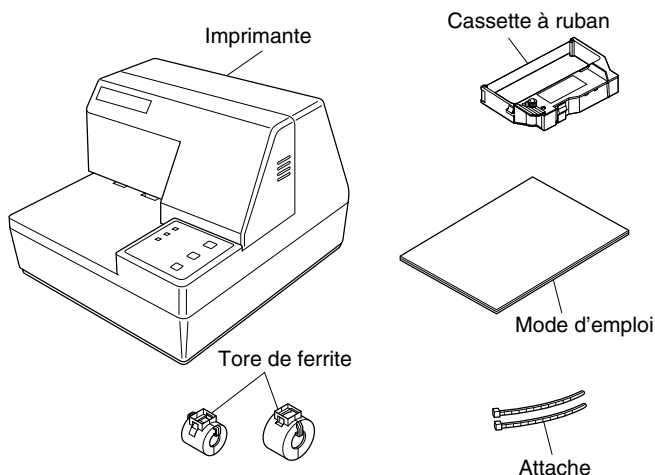
### Emplacement de l'imprimante

Avant de déballer l'imprimante, déterminez l'emplacement où vous souhaitez l'installer. Veuillez observer les points ci-dessous lors de votre choix.

- ✓ Choisissez une surface stable et de niveau sur laquelle l'imprimante ne sera exposée à aucune vibration.
- ✓ Assurez-vous que l'emplacement dispose d'une prise secteur proche et d'accès aisé.
- ✓ Assurez-vous que la distance entre l'imprimante et l'ordinateur-hôte vous permet de les raccorder aisément.
- ✓ Assurez-vous que l'imprimante n'est pas exposée directement aux rayons du soleil.
- ✓ Tenez l'imprimante à l'écart des sources de chaleur importante, telles que les appareils de chauffage, etc.
- ✓ Assurez-vous que le lieu où vous souhaitez installer l'imprimante est propre, sec et n'est pas poussiéreux.
- ✓ Assurez-vous que la prise secteur à laquelle vous raccordez l'imprimante délivre une tension stable. Evitez de raccorder l'imprimante à la prise secteur d'un circuit alimentant de gros consommateurs de courant, tels qu'un photocopieur, réfrigérateur, etc.
- ✓ Assurez-vous que la tension de la prise secteur correspond bien à la tension nominale indiquée sur l'étiquette collée à la base de l'imprimante.
- ✓ Assurez-vous que le lieu où vous installez l'imprimante n'est pas excessivement humide.

## Déballage de l'imprimante

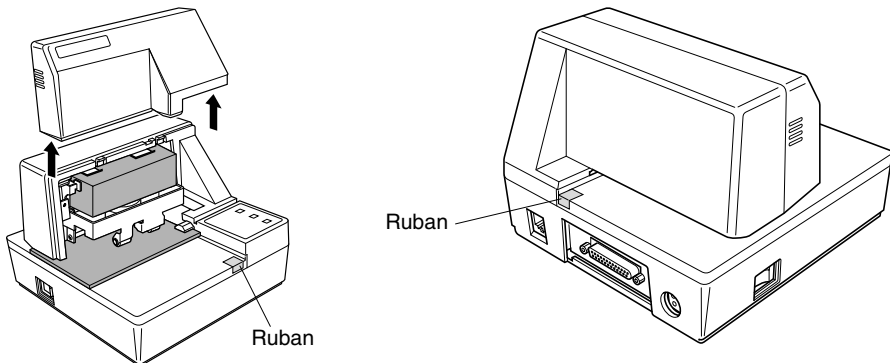
Contrôlez si la caisse contient bien tous les éléments illustrés ci-dessous.



Si l'un des éléments mentionnés ci-dessus ne se trouve pas dans la caisse, adressez-vous au magasin où vous avez acheté l'imprimante et demandez que la pièce manquante vous soit fournie. Il est préférable de conserver la caisse d'origine ainsi que tous les emballages. Ceux-ci vous seront utiles s'il vous faut emballer l'imprimante ou la transporter.

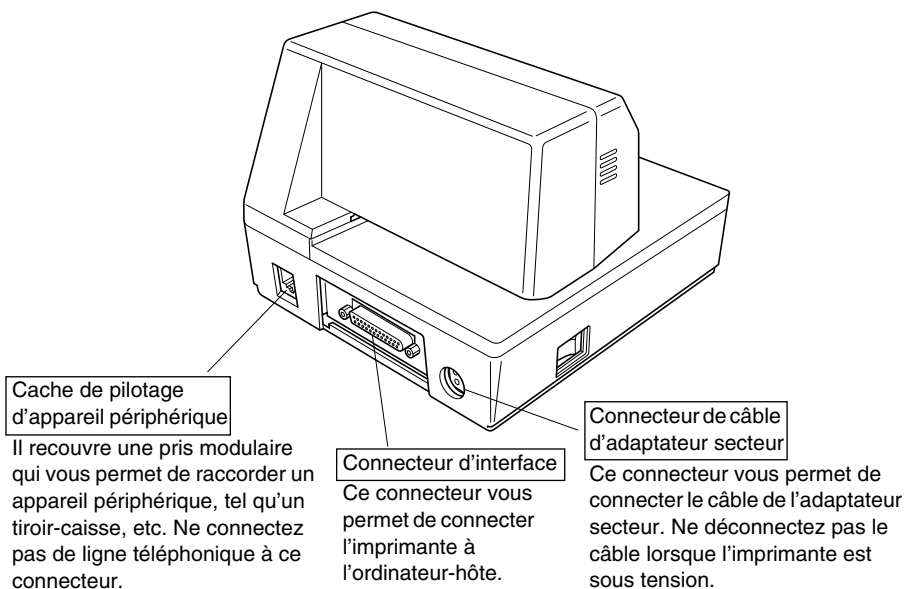
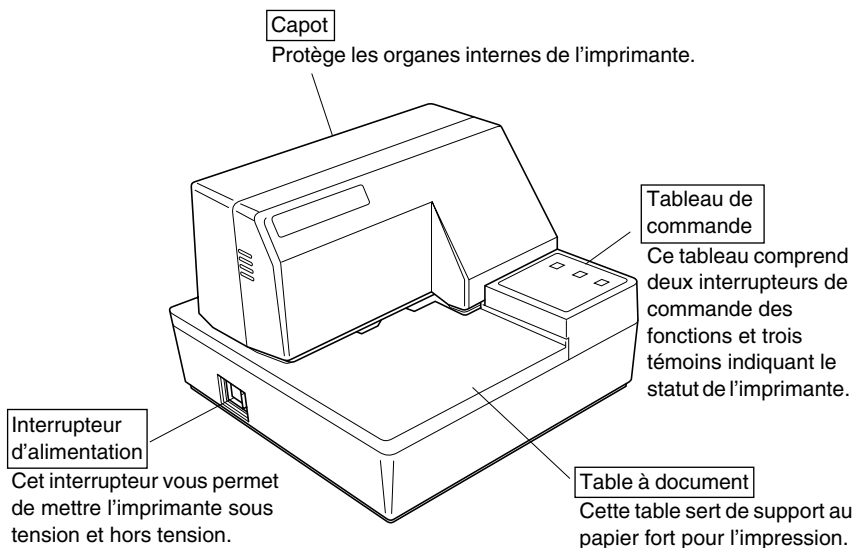
## Retrait des matériaux de protection

Des feuilles de protection et un morceau de carton ont été insérés dans l'imprimante pour protéger les composants lors du transport. Avant la mise en service de l'imprimante, veillez à enlever tous les matériaux d'emballage sous le capot, comme indiqué sur l'illustration.



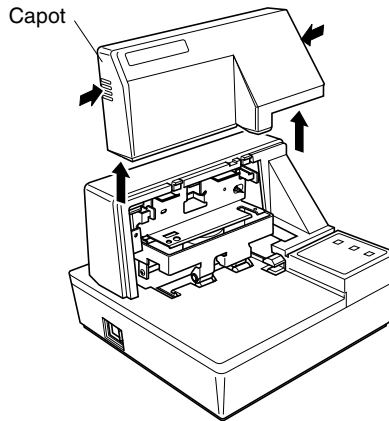
## Description générale

Les illustrations ci-dessous vous indiquent les principaux éléments, touches et connecteurs de l'imprimante.



## Ouverture du capot

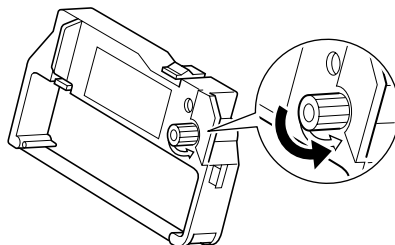
- ❑ Appuyez droit sur les sections cannelées des deux côtés du capot pour le détacher de l'imprimante.



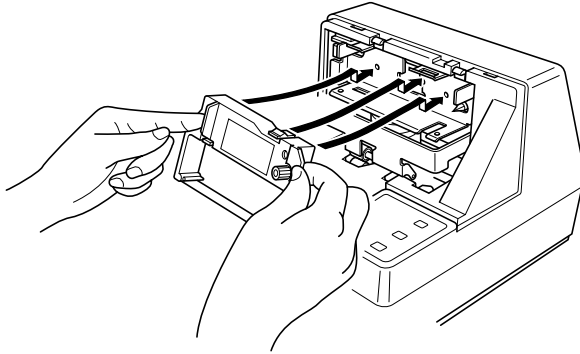
- ❑ Pour remettre le capot en place, glissez-le en place et rabaissez-le. Appuyez délicatement sur le capot jusqu'à ce qu'il se verrouille dans un déclic.

## Installation de la cassette à ruban

- ❑ Assurez-vous que le levier de libération du papier est activé (le papier n'est pas maintenu en place par le rouleau d'alimentation du papier). Pour voir si le levier de libération du papier est activé ou non, mettez l'imprimante sous tension et vérifiez si le voyant **RELEASE** du panneau de commandes s'allume. S'il est éteint, appuyez sur la touche **RELEASE** jusqu'à ce qu'il s'allume.
- ❑ Assurez-vous que l'imprimante est hors tension et qu'elle est débranchée de la prise secteur.
- ❑ Retirez le capot de l'imprimante.
- ❑ Déballez la cassette à ruban et tournez son bouton dans la direction indiquée par la flèche afin de tendre correctement le ruban.



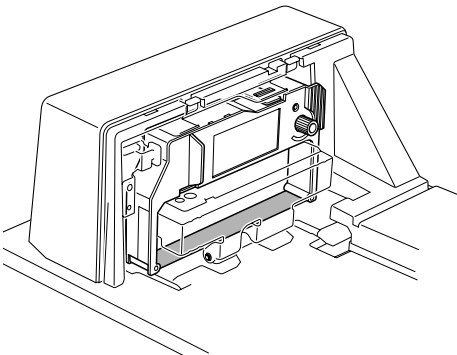
- Saisissez la cassette à ruban de sorte que le ruban soit orienté vers le bas et installez-la dans l'imprimante à papier fort de la manière illustrée.



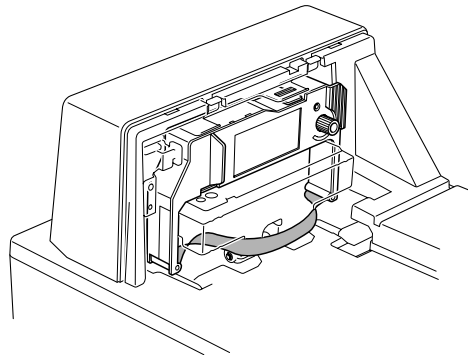
- Appuyez sans forcer sur la cassette de sorte qu'elle soit correctement verrouillée.
- Tournez à nouveau le bouton de la cassette afin de tendre le ruban.
- Remettez le capot de l'imprimante en place.

### Attention!

*Vérifiez que le ruban n'est pas enroulé avant d'installer la cassette à ruban, faute de quoi le ruban risque de se coincer dans l'imprimante et d'endommager les rouleaux à ruban.*



<Correct : le ruban n'est pas enroulé>



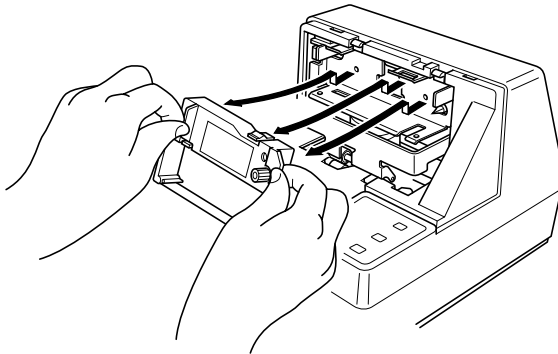
<Incorrect : le ruban est enroulé>

*En outre, si le ruban s'enroule après installation, retirez la cassette à ruban, déroulez le ruban et réinstallez la cassette.*

## ***Retrait de la cassette à ruban***

Suivez les instructions ci-dessous lorsque vous souhaitez retirer la cassette à ruban afin de la remplacer.

- Assurez-vous que l'imprimante est hors tension et qu'elle est débranchée de la prise secteur.
- Retirez le capot de l'imprimante.
- Saisissez la cassette à ruban de la manière illustrée et retirez-la doucement du mécanisme d'impression.



- Installez la nouvelle cassette en suivant les instructions de la section "Installation de la cassette à ruban" à la page 34.

## ***Raccordement à une prise secteur et mise sous et hors tension***

- Branchez l'adaptateur secteur optionnel sur le connecteur de câble d'adaptateur de l'imprimante.
- Raccordez un cordon d'alimentation à trois broches au connecteur de l'adaptateur secteur prévu à cet effet en veillant à effectuer la connexion à la terre.

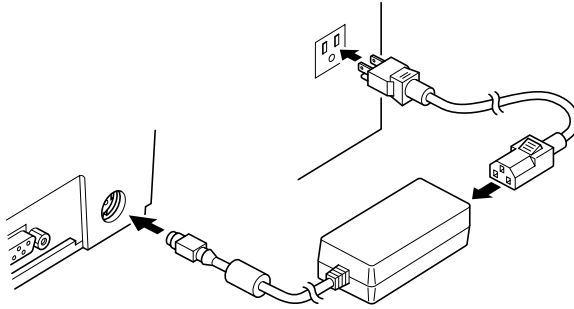
---

### ***Remarque:***

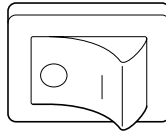
*Le cordon d'alimentation n'est pas fourni avec l'imprimante. Vous devrez donc vous en procurer un.*

---

- ❑ Raccordez l'autre bout du cordon d'alimentation à une prise secteur de tension appropriée.



- ❑ Mettez l'imprimante sous et hors tension à l'aide de l'interrupteur d'alimentation situé sur le côté gauche de l'imprimante.




---

### **Attention!**

*Nous vous recommandons de débrancher l'imprimante du secteur lorsque vous ne comptez pas l'utiliser pendant une période prolongée. Par ailleurs, veillez lors de l'installation à ce que la prise secteur alimentant l'imprimante soit proche et d'accès facile.*

---

A ce stade, vous pouvez si vous le souhaitez effectuer un test d'impression afin de vous assurer que l'imprimante fonctionne correctement. Pour les détails relatifs au test d'impression, reportez-vous à la page 45.



## Connexion à votre ordinateur-hôte

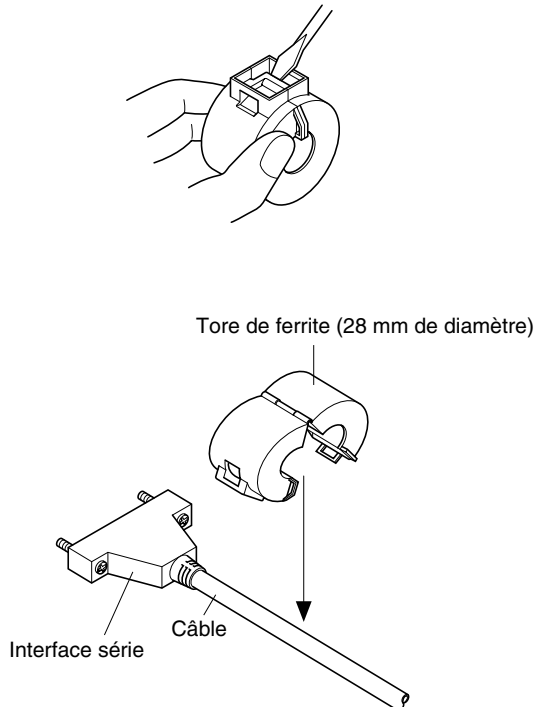
L'ordinateur communique les données à l'imprimante via le câble connecté à l'interface de l'imprimante (type de connecteur d'interface série : D-Sub à 25 broches ou type de connecteur d'interface parallèle : compatible Centronics à 36 broches). Ce câble n'est pas fourni avec l'imprimante. Vous devrez donc vous en procurer un.

---

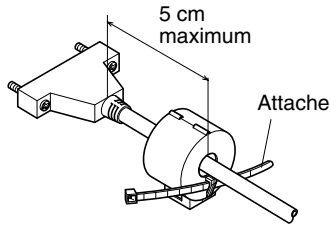
### Attention!

- *Les instructions suivantes concernent le câble de connexion employé sur un ordinateur personnel compatible IBM. Notez que ces instructions ne s'appliquent pas à tous les types d'ordinateurs et de câbles. Si vous n'êtes pas sûr du type de câble adapté à votre ordinateur, demandez conseil à votre revendeur.*
  - *Assurez-vous que l'imprimante est hors tension, qu'elle est débranchée de la prise secteur et que l'ordinateur est hors tension avant de les connecter.*
- 

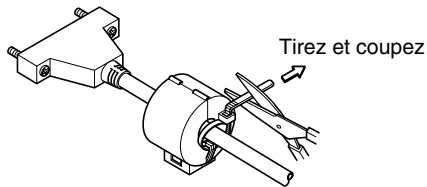
- ❑ Fixez la grande gaine en ferrite sur le câble comme illustré.



Passez l'attache dans le tore de ferrite.



Passez l'attache autour du tore de ferrite et serrez-la. Coupez l'extrémité de l'attache à l'aide de ciseaux.



#### **Pour un câble série:**

- Raccordez l'une des extrémités du câble en série au port d'interface en série de votre ordinateur, et l'autre extrémité dans la borne au dos de l'imprimante. Fixez les connecteurs à l'aide des vis fournies.

#### **Pour un câble parallèle:**

- Fixez une gaine en ferrite de la même manière que pour le câble série.
- Branchez une extrémité du câble parallèle au port parallèle de l'ordinateur. Le port parallèle doit être identifié comme port d' "Imprimante", "Parallèle", "PRN", "LPT1" ou toute autre appellation similaire.
- Branchez l'autre extrémité du câble parallèle dans la prise située sur le côté de l'imprimante et fixez le câble à l'aide des attaches.

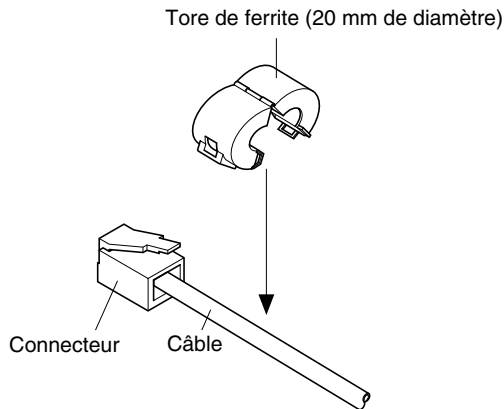
## Raccordement d'un appareil périphérique

Vous pouvez raccorder un appareil périphérique à l'imprimante à l'aide d'une fiche modulaire. Nous expliquons ci-dessous comment installer le tore de ferrite et faire le raccordement proprement dit. Pour les détails sur le type de fiche modulaire à utiliser, reportez-vous à la page 137. Notez que le fil ou la fiche modulaires ne sont pas fournis avec l'imprimante. Vous devrez donc vous les procurer.

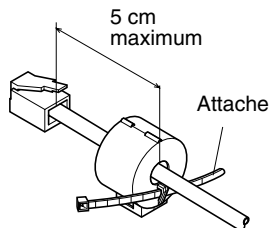
### Attention!

*Assurez-vous que l'imprimante est hors tension, qu'elle est débranchée de la prise secteur et que l'ordinateur est hors tension avant d'effectuer les connexions.*

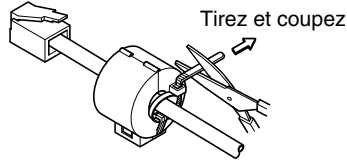
- Fixez la petite gaine en ferrite sur le câble modulaire comme illustré ci-dessous.



Passez l'attache dans le tore de ferrite.



Passez l'attache autour du tore de ferrite et serrez-la. Coupez l'extrémité de l'attache à l'aide de ciseaux.



- Raccordez une extrémité du câble modulaire à la prise modulaire du périphérique.
- Retirez le cache de prise modulaire au dos de l'imprimante, et raccordez l'autre extrémité du câble modulaire dans la prise de l'imprimante.

### ***Introduction du papier dans l'imprimante***

Utilisez uniquement le type de papier recommandé pour cette imprimante. N'utilisez jamais des papiers inadéquats car ils pourraient provoquer un mauvais fonctionnement de l'imprimante ou l'endommager.

La procédure ci-dessous explique comment imprimer sur le papier. Avant de tenter l'impression, il vous faut cependant installer une cassette à ruban dans l'imprimante ; pour ce faire, voyez la méthode décrite dans "Installation de la cassette à ruban" à la page 34.

- Assurez-vous que l'imprimante est branchée à la prise secteur et sous tension.
- Vérifiez si le voyant **RELEASE** du panneau de commandes est allumé. S'il est éteint, appuyez sur la touche **RELEASE** jusqu'à ce qu'il s'allume.

---

#### ***Attention!***

*L'introduction et le retrait du papier doivent s'effectuer uniquement lorsque l'imprimante est en position papier relâché (lorsque le papier n'est pas maintenu en place par le rouleau d'alimentation).*

---

- ❑ Placez une feuille de papier dans le bac à papier de l'imprimante et faites glisser son bord droit vers l'imprimante. L'impression se fera sur la face du papier tournée vers le haut (celle que l'on peut voir), à partir du haut du papier.

---

**Attention!**

*Ne jamais utiliser de papier chiffonné ou recourbé. En cas d'utilisation de papiers multiples, veillez à bien aligner les différentes feuilles.*

---

Le papier peut être introduit par l'avant ou par le côté de l'imprimante. Néanmoins, l'introduction du papier par l'avant risque de provoquer un bourrage, en fonction de la condition du papier, et nous conseillons dès lors de toujours introduire le papier par le côté.

**AutoSide Loading™**

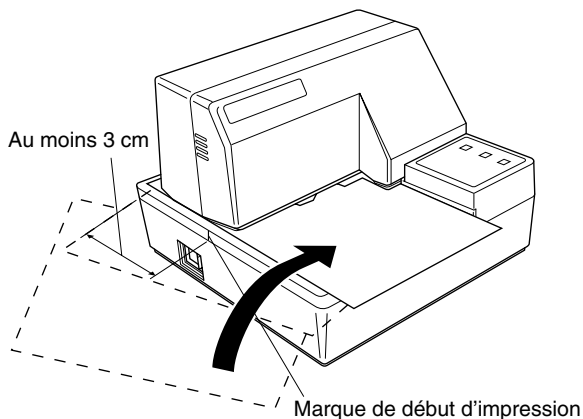
Cette imprimante est équipée de détecteurs de papier de sorte que vous ne devez effectuer aucune opération spéciale pour aligner l'emplacement du début de l'impression. Il suffit d'introduire le papier dans l'imprimante pour que le détecteur localise le haut du papier. Le papier avancera automatiquement à la position d'impression.

---

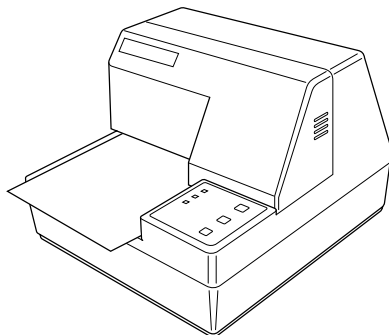
**Attention!**

*Lors de l'insertion du papier dans l'imprimante, assurez-vous qu'il y a au moins 3 cm entre le bord supérieur du papier et la marque situant le début de l'impression sur l'imprimante. Sinon, le détecteur de papier risque de ne pas situer correctement le haut du papier.*

---

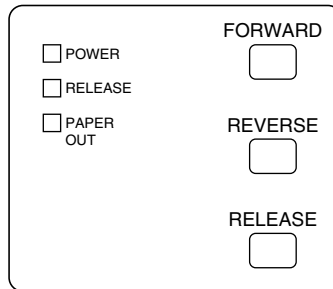


- Poussez le bord droit du papier dans l'imprimante jusqu'à ce qu'il soit stoppé. A ce stade, le voyant d'absence de papier **PAPER OUT** s'éteint et le mécanisme de l'imprimante aligne automatiquement le papier pour commencer l'impression dans le haut de la feuille.
- Envoyez des données de votre ordinateur pour les imprimer sur le papier.
- Après l'impression, appuyez sur la touche **RELEASE** pour libérer automatiquement le papier.



## Chapitre 2: Tableau de commande

Le panneau de commandes permet de contrôler le fonctionnement de l'imprimante de papier fort par boutons poussoir. Il contient également des témoins lumineux qui vous indiquent l'état de l'imprimante en un simple coup d'œil.



### Témoins lumineux

Le tableau ci-dessous vous explique l'état de l'imprimante pour chaque témoin allumé, éteint ou clignotant.

Témoin	Eteint	Allumé	Clignotant
<b>POWER</b>	Hors tension	Sous tension	Mode de réglage d'alignement des points
<b>PAPER OUT</b>	Papier inséré	Pas de papier	Demande d'insertion de papier
<b>RELEASE</b>	Papier fort engagé	Papier fort libéré	Erreur mécanique

## Touches

Le tableau ci-dessous vous explique la fonction des trois touches du tableau de commande.

Touche	Description
<b>FORWARD</b>	Alimente le papier fort vers l'avant, vers le dos de l'imprimante. Une pression fait avancer le papier d'une ligne, une pression continue produit une avance continue.
<b>REVERSE</b>	Alimente le papier fort vers l'arrière, vers l'avant de l'imprimante. Une pression fait avancer le papier d'une ligne, une pression continue produit une avance continue.
<b>RELEASE</b>	Activation de la libération du papier de l'imprimante (le papier n'est plus maintenu en place par le rouleau d'alimentation). Efface les erreurs récupérables.

## Test d'impression

Vous pouvez utiliser à tout moment la procédure suivante pour tester l'imprimante.

- Mettez l'imprimante sous tension et insérez un morceau de papier (page 36, 41).
- Mettez l'imprimante hors tension.
- Tout en maintenant la touche **RELEASE** enfoncée, remettez l'imprimante sous tension. Maintenez la touche **RELEASE** enfoncée pendant quelques instants, jusqu'à ce que l'imprimante émette un bip et entame l'impression du test.

Le test d'impression s'effectue sur toute la longueur du papier.

## Réglage de l'alignement des points

Vous n'aurez peut-être jamais besoin d'effectuer les réglages décrits dans cette section, mais près avoir utilisé l'imprimante pendant un certain temps, vous remarquerez peut-être que les points de certains graphiques ne sont pas alignés correctement. Ainsi par exemple, ce qui devrait être imprimé comme ceci :

H H H  
H H H

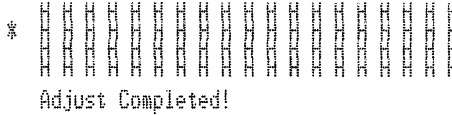
pourrait être imprimé comme cela :

H H H    ou encore comme cela    H H H





Le réglage d'alignement des points que vous avez sélectionné est sauvegardé dans la mémoire, et l'imprimante imprime une série de lignes graduées correspondant à l'état d'impression sélectionné, suivie du message "Adjust Completed!", vous indiquant que le réglage est terminé. L'imprimante éjecte ensuite le morceau de papier fort.




---

**Remarque:**

*Votre réglage ne sera pas sauvegardé si vous mettez l'imprimante hors tension avant d'appuyer sur REVERSE pour quitter le mode de réglage d'alignement des points. En cas d'erreur d'alimentation de papier dans ce mode, l'imprimante éjecte le papier et le mode est annulé.*

---

### **Vidage hexadécimal**

Cette section vous indique comment imprimer en format hexadécimal tous les codes (les codes de caractère et de commande) envoyés à l'imprimante par l'ordinateur. L'imprimante n'exécute aucun code de commande (comme 0A pour l'avance de ligne), mais les imprime simplement. Le vidage hexadécimal vous sera utile lorsque vous écrivez des programmes de commande d'imprimante.

- Mettez l'imprimante sous tension et introduisez un morceau de papier.
- Mettez l'imprimante hors tension.
- Tour en maintenant les touches **FORWARD** du tableau de commande enfoncées, remettez l'imprimante sous tension afin d'activer le mode de vidage hexadécimal.
- Pour quitter ce mode, mettez l'imprimante hors tension.

---

**Remarque:**

*Quand l'imprimante est en mode de vidage hexadécimal, elle ne répond à aucune commande.*

---

## Erreurs

Vous pouvez rencontrer trois types d'erreur : les erreurs corrigibles, que vous pouvez corriger en effectuant certaines opérations, les erreurs non corrigibles, dont la correction nécessite l'intervention d'un revendeur agréé, et l'erreur de réception des données. Les erreurs sont signalées par un avertisseur sonore et par des témoins.

### Erreurs corrigibles

Type d'erreur	Témoins			Correction
	POWER	RELEASE	PAPER OUT	
Bourrage de papier		Clignote		Corrigez la cause du problème et appuyez sur RELEASE.
Blocage du moteur de transport				
Signal de position d'origine anormale				
Signal de temps anormal				

### Erreurs corrigibles

Type d'erreur	Témoins			Correction
	POWER	RELEASE	PAPER OUT	
Lecture/écriture de la mémoire vive	Eteint	Allumé	Allumé	Mettez l'imprimante hors tension et attendez quelques minutes avant de la remettre sous tension. Si l'imprimante ne réagit toujours pas normalement, contactez le service technique le plus proche.
Blocage de l'unité centrale				

### Erreur de réception des données

Ce genre d'erreur se produit dès qu'un problème surgit pendant la réception de données. Le moyen mis en oeuvre par l'imprimante pour rétablir son fonctionnement normal après une erreur de réception de données dépend du mode de commandes sélectionné.

Mode de commandes	Procédure de correction d'une erreur de réception des données
Mode Star	L'imprimante imprime un point d'interrogation.
Mode ESC/POS	Interrupteur mémoire 4-0=0 : l'imprimante imprime un point d'interrogation. Interrupteur mémoire 4-0=1 : l'imprimante ne conserve pas les données reçues.

## Capteurs de papier

Les capteurs de papier suivants sont prévus.

Capteur TOF

Ce capteur haut-de-page détecte le bord d'attaque du papier. Lorsqu'il est validé, le capteur TOF détecte l'absence de papier et il arrête l'impression.

Capteur BOF

Ce capteur bas-de-page détecte le bord arrière du papier. Lorsqu'il est validé, le capteur BOF détecte l'absence de papier et l'impression est interrompue.

Lorsque le capteur TOF ou BOF détecte une absence de papier, l'imprimante arrête son moteur après l'impression de 0 à un maximum de deux lignes supplémentaires.

Le capteur BOF détecte une absence de papier chaque fois que la distance entre la broche #9 de tête d'impression et le bord arrière du papier devient 38,1 mm ou moins. En Mode Star, ceci fait passer à l'arrêt d'impression, mais en mode ESC/POS, l'arrêt d'impression n'est pas atteint avant que la distance entre la broche #9 de tête d'impression et le bord arrière ne devienne 27,3 mm ou moins.

Quand le blocage automatique est validé par l'Interrupteur de Mémoire 5-1, le blocage automatique est exécuté environ 0,7 seconde (valeur initiale par défaut en Mode Star; la valeur initiale en Mode ESC/POS est 1 seconde environ) après que la présence de papier est détectée par les capteurs TOF et BOF, à la suite d'une absence de papier. La fonction de blocage automatique n'est pas affectée par l'état de validation ou d'invalidation du capteur TOF ou BOF.

La fonction (Positionnement haut de page) est validée par l'Interrupteur de Mémoire 5-0. Même si la fonction de blocage automatique est invalidée, la fonction automatique est exécutée sur le papier est verrouillée quand commence l'impression.

Le voyant PAPER OUT clignote pour signaler le besoin d'insérer du papier lorsque les capteurs détectent une absence de papier (quand un capteur validé par une commande détecte une absence de papier) après réception de la donnée par l'imprimante. A ce moment, l'utilisateur doit insérer du papier et l'impression commence après que le capteur a détecté la présence de papier.

## Chapitre 3: Résumé des commandes

L'imprimante supporte deux modes de commande différents : le mode STAR, et le mode ESC/POS.

Le mode Star émule les imprimantes Star précédentes. Le mode ESC/POS émule l'imprimante de bordereaux TM-295 ou TM-290 Epson.

Ce chapitre donne la liste de toutes les commandes supportées par l'imprimante.

### Attention!

*Pour obtenir la dernière version de ce manuel et pour les mises à jour des commandes supportées, consultez l'adresse URL suivante : [http://www.star-micronics.co.jp/service/sp\\_sup\\_e.htm](http://www.star-micronics.co.jp/service/sp_sup_e.htm).*

### Les commandes du mode Star

Les tableaux ci-dessous vous montrent les commandes du mode Star qui sont supportées par l'imprimante.

#### Sélection des caractères

Code de contrôle	Code hexadécimal	Fonction
<ESC> "R" <i>n</i>	1B 52 <i>n</i>	Sélection du jeu de caractères internationaux
<ESC> "/" "1" <ESC> "/" <1>	1B 2F 31 1B 2F 01	Sélectionne le zéro barré
<ESC> "/" "0" <ESC> "/" <0>	1B 2F 30 1B 2F 00	Sélectionne le zéro normal
<ESC> <GS> "t" <i>n</i>	1B 1D 74 <i>n</i>	Pour sélectionner un caractère dans le tableau des codes
<ESC> "M"	1B 4D	Sélection de la police 7 × 9 (demi-point)
<ESC> "P"	1B 50	Sélection de la police 5 × 9 (deux impulsions = 1 point)
<ESC> "."	1B 3A	Sélection de la police 5 × 9 (trois impulsions = 1 point)
<ESC> <SP> <i>n</i>	1B 20 <i>n</i>	Réglage de l'espacement des caractères
<SO>	0E	Sélectionne la largeur double des caractères
<DC4>	14	Invalidation de la largeur double des caractères

Code de contrôle	Code hexadécimal	Fonction
<ESC> "W" <i>n</i>	1B 57 <i>n</i>	Règle l'indice d'amplification pour la largeur des caractères
<ESC> "h" <i>n</i>	1B 68 <i>n</i>	Règle l'indice d'amplification pour la hauteur des caractères
<ESC> "_ " "1" <ESC> "_ " <1>	1B 2D 31 1B 2D 01	Validation du soulignement
<ESC> "_ " "0" <ESC> "_ " <0>	1B 2D 30 1B 2D 00	Invalidation du soulignement
<ESC> " _ " "1" <ESC> " _ " <1>	1B 5F 31 1B 5F 01	Validation du surlignement
<ESC> " _ " "0" <ESC> " _ " <0>	1B 5F 30 1B 5F 00	Invalidation du surlignement
<ESC> "4"	1B 34	Validation de l'impression surintensifiée
<ESC> "5"	1B 35	Invalidation de l'impression surintensifiée
<SI>	0F	Impression inversée
<DC2>	12	Invalidation de l'impression inversée
<ESC> <RS> "i" "0" <ESC> <RS> "i" <0>	1B 1E 96 30 1B 1E 96 00	Pour annuler le mode d'impression de texte avec rotation.
<ESC> <RS> "i" "1" <ESC> <RS> "i" <1>	1B 1E 96 31 1B 1E 96 01	Pour spécifier le mode d'impression de texte avec rotation de 270°.
<ESC> <RS> "i" "2" <ESC> <RS> "i" <2>	1B 1E 96 32 1B 1E 96 02	Pour spécifier le mode d'impression de texte avec rotation de 90°.
<ESC> "E"	1B 45	Validation de l'impression mise en valeur
<ESC> "F"	1B 46	Invalidation de l'impression mise en valeur
<ESC> "U" <i>n</i>	1B 55 <i>n</i>	Sélection du sens d'impression

## Commandes de position d'impression

Code de contrôle	Code hexadécimal	Fonction
<LF>	0A	Avance d'une ligne
<CR>	0D	Retour chariot
<ESC> "a" <i>n</i>	1B 61 <i>n</i>	Avance du papier de <i>n</i> lignes
<HT>	09	Tabulation horizontale
<ESC> "A" <i>n</i>	1B 41 <i>n</i>	Sélection d'un interligne de <i>n</i> /72èmes de pouce
<ESC> "2"	1B 32	Validation d'un interligne de <i>n</i> /72èmes de pouce
<ESC> "z" "0" <ESC> "z" <0>	1B 7A 30 1B 7A 00	Validation d'un interligne de 1/12ème de pouce
<ESC> "z" "1" <ESC> "z" <1>	1B 7A 31 1B 7A 01	Validation d'un interligne de 1/6ème de pouce
<ESC> "0"	1B 30	Validation d'un interligne de 1/8ème de pouce
<ESC> "1"	1B 31	Validation d'un interligne de 7/72èmes de pouce
<ESC> "J" <i>n</i>	1B 4A <i>n</i>	Avance une fois de <i>n</i> /72èmes de pouce
<ESC> "j" <i>n</i>	1B 6A <i>n</i>	Avance inversée de une fois <i>n</i> /72èmes de pouce
<ESC> "3" <i>n</i>	1B 33 <i>n</i>	Validation d'un interligne de <i>n</i> /215èmes de pouce environ
<ESC> "y" <i>n</i>	1B 79 <i>n</i>	Validation d'un interligne de <i>n</i> /144èmes de pouce
<ESC> "D" <i>n1 n2 .. &lt;0&gt;</i>	1B 44 <i>n1 n2 .. 00</i>	Pose des arrêts de tabulation horizontaux
<ESC> "l" <i>n</i>	1B 6C <i>n</i>	Réglage de la marge gauche
<ESC> "Q" <i>n</i>	1B 51 <i>n</i>	Réglage de la marge droite
<ESC> <GS> "a" "0" <ESC> <GS> "a" <0>	1B 1D 61 30 1B 1D 61 00	Alignement à gauche (défaut)
<ESC> <GS> "a" "1" <ESC> <GS> "a" <1>	1B 1D 61 31 1B 1D 61 01	Centrage
<ESC> <GS> "a" "2" <ESC> <GS> "a" <2>	1B 1D 61 32 1B 1D 61 02	Alignement à droite

## Commandes de graphiques en points

Code de contrôle	Code hexadécimal	Fonction
<ESC> "K" <i>n</i> <0> <i>m1 m2 ...</i>	1B 4B <i>n</i> 00 <i>m1 m2...</i>	Impression de graphiques à densité normale
<ESC> "L" <i>n1 n2 m1 m2...</i>	1B 4C <i>n1 n2 m1 m2...</i>	Impression de graphiques à haute densité

## Impression de graphiques téléchargés

Code de contrôle	Code hexadécimal	Fonction
<ESC> "&" <0> <i>n1 n2 ..</i>	1B 26 00 <i>n1 n2 ..</i>	Définition des caractères à télécharger
<ESC> "%" "1" <ESC> "%" <1>	1B 25 31 1B 25 01	Validation du jeu de caractères téléchargés
<ESC> "%" "0" <ESC> "%" <0>	1B 25 30 1B 25 00	Invalidation du jeu de caractères téléchargés

## Commande de pilotage des périphériques

Code de contrôle	Code hexadécimal	Fonction
<ESC> <BEL> <i>n1 n2</i>	1B 07 <i>n1 n2</i>	Définition de l'impulsion d'entraînement du périphérique n°1
<BEL>	07	Commande de pilotage du périphérique n°1
<FS>	1C	Commande de pilotage immédiat du périphérique n°1
<EM>	19	Commande de pilotage immédiat du périphérique n°2
<SUB>	1A	Commande de pilotage immédiat du périphérique n°2

## Commande de papier fort

Code de contrôle	Code hexadécimal	Fonction
<ESC> <SI> <i>n</i>	1B 0F <i>n</i>	Réglage du capteur de papier fort
<ESC> <FF> <i>n</i>	1B 0C <i>n</i>	Fonction de papier fort
<ESC> <VT> <i>m n</i>	1B 0B <i>m n</i>	Sélection du sens d'éjection/de la longueur du papier
<ESC> <EM> <i>mn</i> <LF> <NUL>	1B 19 <i>n m</i> 0A 00	Sélection du temps d'attente avant l'activation du blocage automatique.



## Mode de page

Code de contrôle	Code hexadécimal	Fonction
<ESC> "n"	1B 6E	Sélection du mode page
<ESC> "l"	1B 21	Sélection du mode ligne
<ESC> "*" ...	1B 2A ...	Réglage de la zone d'impression en mode page
<ESC> "T" n	1B 54 n	Sélection du sens d'impression en mode page
<FF>	0C	Impression en mode page

## Autres commandes

Code de contrôle	Code hexadécimal	Fonction
<CAN>	18	Suppression de la mémoire tampon et réinitialisation de l'imprimante
<DC3>	13	Désélection de l'imprimante
<DC1>	11	Réglage du mode de sélection
<RS>	1E	Activation de la sonnerie
<ESC> "#N, n1 n2 n3 n4" <LF> <NUL>	1B 23 N 2C n1 n2 n3 n4 0A 00	Réglage de l'interrupteur de mémoire
<ESC> "@"	1B 40	Initialisation de l'imprimante
<EOT>	04	Transmet l'état en temps réel (EOT)
<ENQ>	05	Transmet l'état en temps réel (ENQ)
<ETB>	17	Confirmation de la fin de l'impression
<ESC><ACK><SOH>	1B 06 01	Transmission du statut automatique
<ESC><RS> "a" n	1B 1E 61 n	Validation/Invalidation du statut automatique
<ESC> "?" <LF> <NUL>	1B 3F 0A 00	Initialisation de l'imprimante et test d'impression

## Commandes du mode ESC/POS (Émulation de la TM-295)

Le tableau ci-dessous donne la liste des commandes d'émulation de la TM-295 qui sont supportées par l'imprimante.

Code de contrôle	Code hexadécimal	Fonction
<HT>	09	Tabulation horizontale
<LF>	0A	Avance de ligne
<FF>	0C	Ejection du papier en mode une feuille Impression en mode papier et retour à la ligne
<DLE> <EOT>	10 04	Validation de l'envoi d'état en temps réel (série I/F seulement)
<CAN>	18	Annulation des données d'impression en mode page
<ESC> SP	1B 20	Réglage de l'espace à droite du caractère
<ESC> !	1B 21	Validation de l'impression en mode lots
<ESC> #	1B 23	Réglage de l'interrupteur de mémoire
<ESC> %	1B 25	Validation/invalidation du jeu de caractères téléchargés
<ESC> &	1B 26	Définition des caractères téléchargés
<ESC> *	1B 2A	Sélection du mode image en mode points
<ESC> 2	1B 32	Sélection d'un espacement de ligne de 1/6 pouce
<ESC> 3	1B 33	Validation de l'interligne de $n/60$ èmes de pouce environ *1
<ESC> =	1B 3D	Sélection du périphérique
<ESC> @	1B 40	Initialisation de l'imprimante
<ESC> C	1B 43	Réglage de la longueur d'éjection pour une impression une feuille
<ESC> D	1B 44	Réglage de la position de tabulation horizontale
<ESC> F	1B 46	Validation/invalidation de l'avance inverse pour le mode une feuille
<ESC> J	1B 4A	Imprime et fait avancer le papier de $n/60$ èmes de pouce environ *1
<ESC> K	1B 4B	Imprime et fait reculer le papier de $n/60$ èmes de pouce environ *1

\*1: Commandes d'interligne et d'alimentation du papier de  $n/60$ èmes de pouce : Etant donné que l'écart minimum d'alimentation du papier pour cette imprimante est de  $1/144$ ème de pouce, la valeur  $n/60$ èmes de pouce doit être considérée comme approximative. La valeur réelle est  $\text{INT}((6n/5) + 0,5)/72$  pouces.

Code de contrôle	Code hexadécimal	Fonction
<ESC> L	1B 4C	Sélection du mode page
<ESC> R	1B 52	Sélection du jeu de caractères internationaux
<ESC> T	1B 54	Sélection du sens d'impression pour l'impression des caractères en mode page
<ESC> U	1B 55	Sélection du sens d'impression
<ESC> V	1B 56	Désignation/annulation de la rotation de 90° des caractères
<ESC> W	1B 57	Sélection de la zone d'impression pour l'impression en mode page
<ESC> a	1B 61	Alignement de la position
<ESC> c3	1B 63 33	Commande au capteur de papier d'envoyer le signal "papier épuisé".
<ESC> c4	1B 63 34	Commande au capteur de papier d'interrompre l'impression.
<ESC> c5	1B 63 35	Validation/invalidation des interrupteurs du tableau de commande
<ESC> d	1B 64	Impression ou avance de "n" lignes
<ESC> e	1B 65	Impression ou avance inverse de "n" lignes
<ESC> f	1B 66	Réglage du temps d'attente en mode une feuille
<ESC> p	1B 70	Génération de l'impulsion spécifiée
<ESC> q	1B 71	Relâchement
<ESC> t	1B 74	Réglage du tableau des codes de caractères
<ESC> u	1B 75	Envoi de l'état du périphérique (série I/F seulement)
<ESC> v	1B 76	Demande de l'état du capteur de papier (série I/F seulement)
<ESC> {	1B 7B	Validation/invalidation de l'impression inversée
<GS> l	1D 49	Envoi de l'ID imprimante (série I/F seulement)
<GS> a	1D 61	Validation/invalidation d'envoi automatique de l'état d'imprimante (série I/F seulement)
<GS> r	1D 72	Envoi de l'état d'imprimante (série I/F seulement)

\*1: Commandes d'interligne et d'alimentation du papier de  $n/60$ èmes de pouce : Etant donné que l'écart minimum d'alimentation du papier pour cette imprimante est de  $1/144$ ème de pouce, la valeur  $n/60$ èmes de pouce doit être considérée comme approximative. La valeur réelle est  $\text{INT}((6n/5) + 0,5)/72$  pouces.

## Commandes du mode ESC/POS (Émulation de la TM-290)

Le tableau ci-dessous donne la liste des commandes d'émulation de la TM-290 qui sont supportées par l'imprimante.

Code de contrôle	Code hexadécimal	Fonction
<HT>	09	Tabulation horizontale
<LF>	0A	Avance de ligne
<FF>	0C	Ejection du papier en mode une feuille
<ESC> SP	1B 20	Réglage de l'espace à droite du caractère
<ESC> !	1B 21	Validation de l'impression en mode lots
<ESC> #	1B 23	Réglage de l'interrupteur de mémoire
<ESC> *	1B 2A	Sélection du mode image en mode points
<ESC> 2	1B 32	Sélection d'un espacement de ligne de 1/6 pouce
<ESC> 3	1B 33	Validation de l'interligne de 7/60èmes de pouce environ *1
<ESC> @	1B 40	Initialisation de l'imprimante
<ESC> D	1B 44	Réglage de la position de tabulation horizontale
<ESC> M	1B 4D	Sélection de la police 7 × 9
<ESC> P	1B 50	Sélection de la police 5 × 9

\*1: Commandes d'interligne et d'alimentation du papier de  $n/60$ èmes de pouce : Etant donné que l'écart minimum d'alimentation du papier pour cette imprimante est de  $1/144$ ème de pouce, la valeur  $n/60$ èmes de pouce doit être considérée comme approximative. La valeur réelle est  $\text{INT}((6n/5) + 0,5)/72$  pouces.

Code de contrôle	Code hexadécimal	Fonction
<ESC> R	1B 52	Sélection du jeu de caractères internationaux
<ESC> c3	1B 63 33	Commande au capteur de papier d'envoyer le signal "papier épuisé".
<ESC> c4	1B 63 34	Commande au capteur de papier d'interrompre l'impression.
<ESC> c5	1B 63 35	Validation/invalidation des interrupteurs du tableau de commande
<ESC> d	1B 64	Impression ou avance de "n" lignes
<ESC> h	1B 68	Réglage/annulation de l'avance inverse des lignes
<ESC> j	1B 6A	Sélection de la largeur des caractères en mode d'impression verticale
<ESC> q	1B 71	Relâchement
<ESC> t	1B 74	Réglage du tableau des codes de caractères
<ESC> v n	1B 76 n	Envoi de l'état du capteur de papier (série I/F seulement)
<ESC> {	1B 7B	Validation/invalidation de l'impression inversée
<FS> J	1C 4A	Réglage du mode d'impression verticale
<FS> K	1C 4B	Annulation du mode d'impression verticale
<FS> W	1C 57	Réglage/annulation de l'impression double hauteur, double largeur



# INHALTSVERZEICHNIS

<b>Kapitel 1:</b>	<b>Drucker-Einrichtung.....</b>	<b>61</b>
	Wahl eines Aufstellungsorts für den Drucker .....	61
	Auspacken des Druckers.....	62
	Entfernen der Schutzmaterialien.....	62
	Allgemeine Anleitung.....	63
	Abnehmen der Druckerabdeckung .....	64
	Einsetzen der Farbbandkassette .....	64
	Entnehmen der Farbbandkassette .....	66
	Anschluß an eine Netzsteckdose und Ein-/Ausschalten der Netzversorgung.....	66
	Anschließen an den Hostcomputer .....	68
	Anschluß an ein Peripheriegerät .....	70
	Papier in den Drucker einlegen.....	71
	Automatischer Papiereinzug (AutoSide Loading™).....	73
<b>Kapitel 2:</b>	<b>Bedienfeld .....</b>	<b>74</b>
	Anzeigeleuchten .....	74
	Tasten.....	75
	Erstellen eines Testdrucks .....	75
	Einstellen der Punktausrichtung .....	75
	Sedezimaler Datenausdruck.....	77
	Fehler .....	78
<b>Kapitel 3:</b>	<b>Zusammenfassung der Befehle.....</b>	<b>80</b>
	Befehle des Star-Modus.....	80
	Befehle des ESC/POS-Modus (TM295 Emulation) .....	85
	Befehle des ESC/POS-Modus (TM290 Emulation) .....	87
<b>ANHANG:</b>	<b>.....</b>	<b>120</b>

*Der Anhang der Bedienungsanleitung ist nur im englischen Sprache.*

Bitte wenden Sie sich an die folgende Internet-Adresse:

<http://www.star-m.jp/eng/dl/dl02.htm>,

wenn Sie die neueste Revision dieses Handbuches lesen möchten.

## Kapitel 1: Drucker-Einrichtung

---

Dieses Kapitel enthält wichtige Informationen zur Vorbereitung Ihres Druckers. Bitte dieses Kapitel sorgfältig durchlesen, bevor Sie den Drucker zum ersten Mal in Betrieb nehmen. In diesem Kapitel erfahren Sie Einzelheiten über:

- Wahl eines Aufstellungsorts für den Drucker
- Auspacken und Vorbereiten des Druckers
- Einsetzen der Farbbandkassette
- Anschließen an den Hostcomputer
- Einsetzen des Papiers

### *Wahl eines Aufstellungsorts für den Drucker*

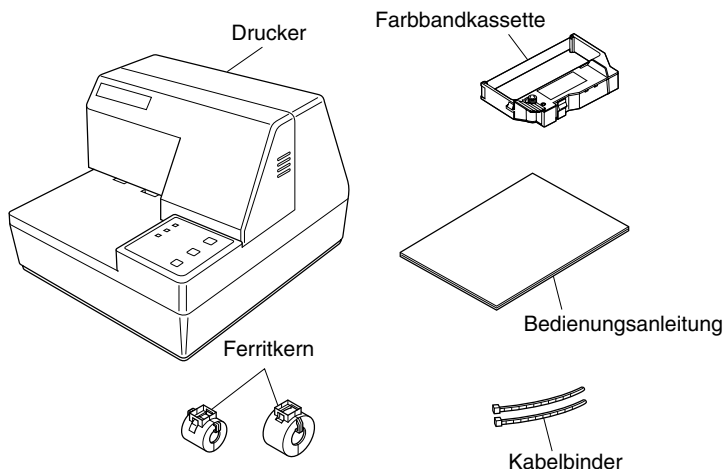
Bevor Sie den Drucker auspacken, sollten Sie einige Minuten damit verbringen, einen geeigneten Aufstellungsort auszusuchen. Denken Sie dabei an die folgenden Punkte:

- ✓ Den Drucker auf einem flachen, aber festen Untergrund aufstellen, wo keine Vibrationen vorhanden sind.
- ✓ Die verwendete Steckdose soll in der Nähe und frei zugänglich sein.
- ✓ Sicherstellen, daß der Drucker nahe genug am Computer ist, um die Geräte mit dem Druckerkabel verbinden zu können.
- ✓ Sicherstellen, daß der Drucker vor direktem Sonnenlicht geschützt ist.
- ✓ Sicherstellen, daß der Drucker ausreichend weit von Heizkörpern entfernt steht.
- ✓ Dafür sorgen, daß die Umgebung des Druckers sauber, trocken und staubfrei ist.
- ✓ Sicherstellen, daß der Drucker an eine einwandfreie Stromzufuhr angeschlossen ist. Er sollte nicht an Steckdosen angeschlossen werden, an denen bereits Geräte mit möglichen Netzstörungen wie Kopierer, Kühlschränke u.a. angeschlossen sind.
- ✓ Die Versorgungsspannung muß dem Spannungswert auf dem Typenschild an der Unterseite des Druckers entsprechen.
- ✓ Den Drucker nicht an Orten mit hoher Luftfeuchtigkeit aufstellen.



## Auspacken des Druckers

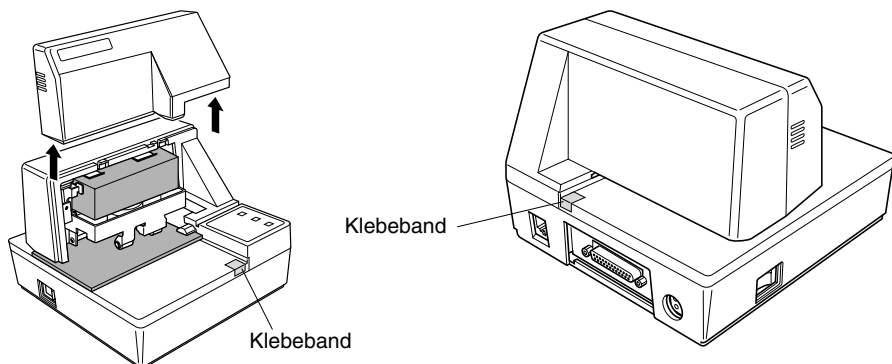
Überprüfen Sie den Kartoninhalt, und vergewissern Sie sich, daß alle unten abgebildeten Teile vorhanden sind.



Falls Teile fehlen, wenden Sie sich zwecks Nachlieferung bitte an den Fachhandel, bei dem das Gerät gekauft wurde. Im Hinblick auf einen eventuellen zukünftigen Transport des Druckers empfiehlt es sich, den Lieferkarton und das gesamte Verpackungsmaterial aufzubewahren.

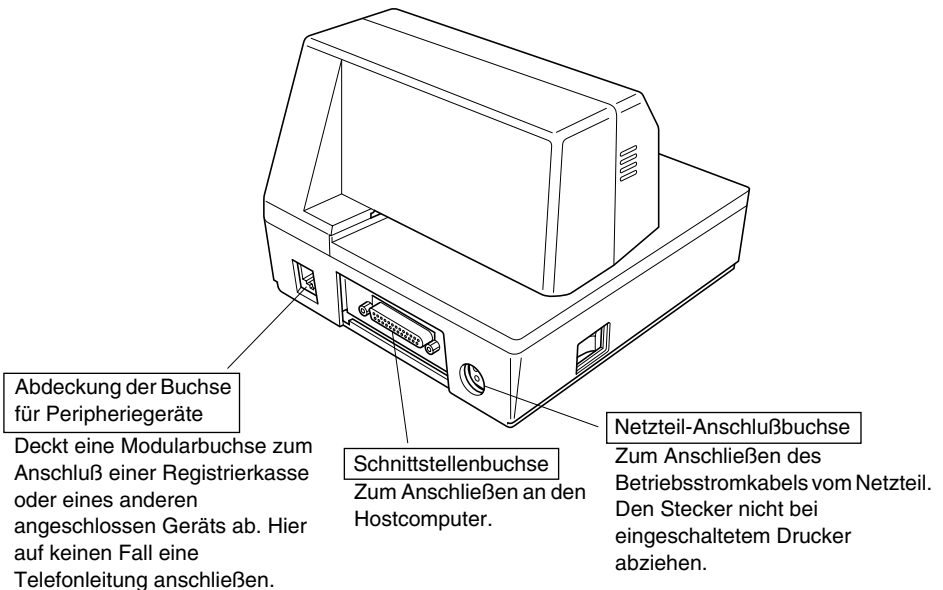
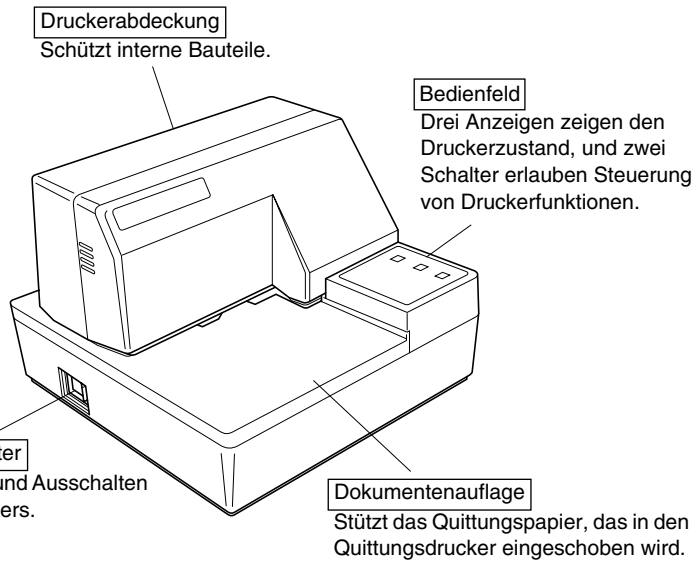
## Entfernen der Schutzmaterialien

Schutzstreifen und ein Stück Pappe sind im Drucker eingelegt, um die internen Bauteile beim Transport zu schützen. Vor der Inbetriebnahme des Druckers müssen die in der Abbildung markierten Schutzmaterialien entfernt werden.



## Allgemeine Anleitung

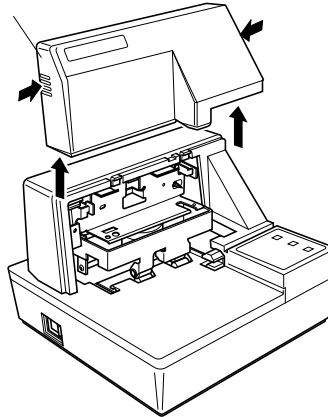
Die folgenden Abbildungen zeigen die Hauptbauteile des Druckers.



## Abnehmen der Druckerabdeckung

- ❑ Die geriffelten Teile an den Druckerseiten gerade nach oben drücken, um die Abdeckung abzunehmen.

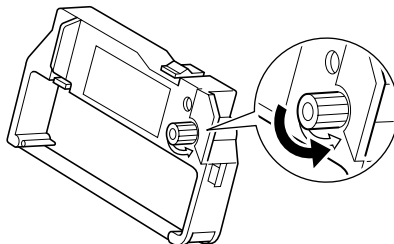
Druckerabdeckung



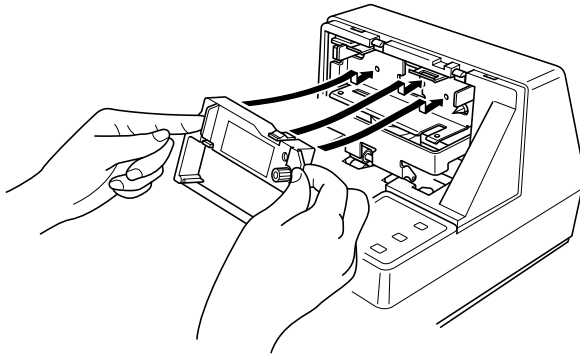
- ❑ Zum Schließen die Abdeckung wieder nach unten aufsetzen. Vorsichtig aufdrücken, bis sie hörbar einrastet.

## Einsetzen der Farbbandkassette

- ❑ Stellen Sie sicher, daß die Papierfreigabe des Druckers aktiviert ist (das Papier wird nicht von der Papier-Zufuhrrolle festgehalten). Sollten Sie nicht feststellen können, ob die Papierfreigabe aktiv ist, schalten Sie den Drucker ein und prüfen Sie, ob die Anzeige **RELEASE** am Bedienungsfeld leuchtet. Sollte diese Anzeige nicht leuchten, drücken Sie die Taste **RELEASE** so lange, bis diese Anzeige leuchtet.
- ❑ Darauf achten, daß der Drucker ausgeschaltet und von der Betriebsstromversorgung getrennt ist.
- ❑ Die Abdeckung des Druckers abnehmen.
- ❑ Die Farbbandkassette aus der Verpackung nehmen, und den Knopf auf der Farbbandkassette im Uhrzeigersinn drehen, um eventuell vorhandene Bandschlaufen aufzuwickeln.



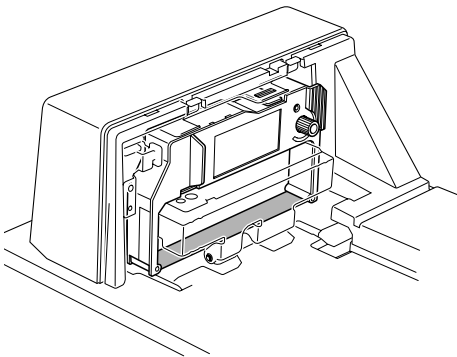
- Die Farbbandkassette so halten, daß das Farbband nach unten weist und die Kassette in den Drucker einsetzen, wie in der Abbildung gezeigt.



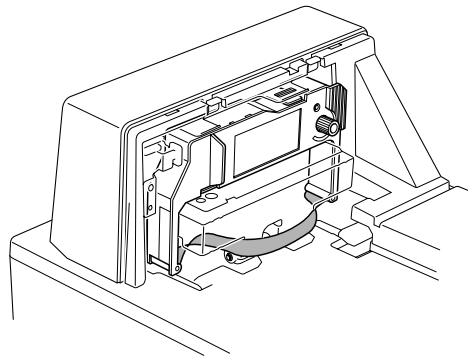
- Die Farbbandkassette sanft aber fest herunterdrücken, bis sie hörbar einrastet.
- Den Farbband-Spannknopf auf der Kassette noch einmal drehen, um das Band zu straffen.
- Die Abdeckung aufsetzen.

### **Wichtig!**

*Stellen Sie vor dem Einsetzen der Farbbandkassette sicher, dass das Farbband nicht verdreht ist. Ansonsten kann sich das Farbband im Drucker verklemmen und die Farbbandlaufrollen beschädigen.*



<Richtig: Farbband ist nicht verdreht>



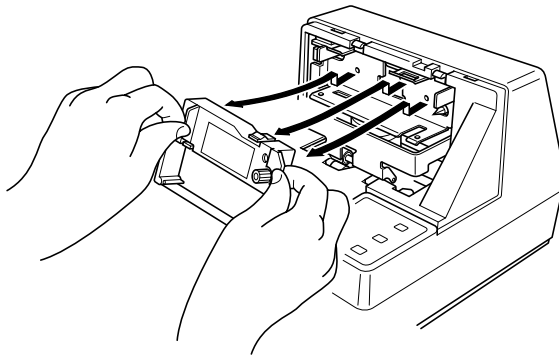
<Falsch: Farbband ist verdreht>

*Wenn sich das Farbband nach dem Einsetzen verdreht, die Farbbandkassette entnehmen, das Farbband glätten und die Kassette wieder einsetzen.*

## ***Entnehmen der Farbbandkassette***

Folgendermaßen vorgehen, um die Farbbandkassette zum Austausch aus dem Drucker zu nehmen.

- Sicherstellen, daß der Drucker ausgeschaltet und von der Betriebsstromversorgung getrennt ist.
- Die Druckerabdeckung abnehmen.
- Die Farbbandkassette wie in der Abbildung gezeigt greifen und vorsichtig aus dem Druckmechanismus ziehen.



- Die unter "Einsetzen der Farbbandkassette" auf Seite 64 beschriebenen Schritte ausführen.

## ***Anschluß an eine Netzsteckdose und Ein-/Ausschalten der Netzversorgung***

- Das mit dem Drucker mitgelieferte Netzteil an die Betriebsstrom-Eingangsbuchse des Druckers anschließen.
- Ein Netzkabel mit Erdungsleitung an die dreipolige Netzeingangsbuchse am Netzteil anschließen.

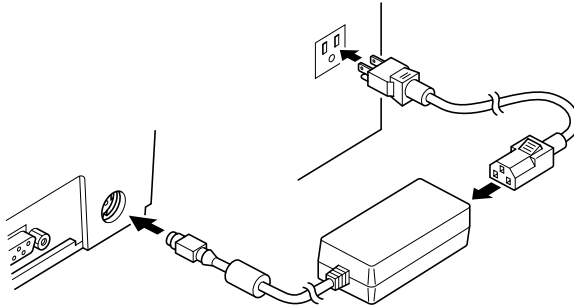
---

### ***Hinweis:***

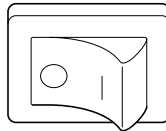
*Der Drucker wird nicht mit Netzkabel geliefert; dieses müssen Sie selber stellen.*

---

- ❑ Den anderen Stecker des Netzkabels an eine Netzsteckdose anschließen.



- ❑ Den Netzschalter an der linken Seite des Druckers zum Ein- und Ausschalten verwenden.




---

### **Wichtig!**

*Wir empfehlen, den Netzstecker aus der Steckdose zu ziehen, wenn der Drucker längere Zeit lang nicht benutzt werden soll. Der Drucker sollte vorzugsweise an einem Platz aufgestellt werden, der leichten Zugang zur Netzsteckdose gewährt.*

---

Zu diesem Zeitpunkt sollte ein Druckertest ausgeführt werden, um sicherzustellen, daß er richtig arbeitet. Siehe "Erstellen eines Testdrucks" auf Seite 75 betr. Einzelheiten zur Durchführung des Tests.

## Anschließen an den Hostcomputer

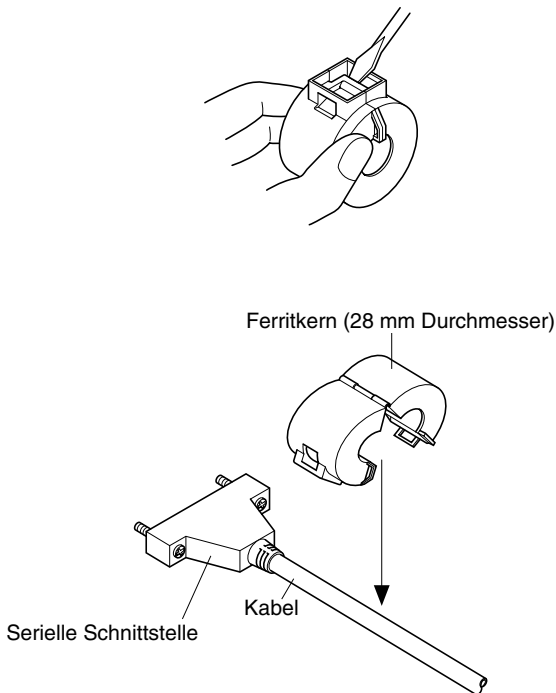
Die Datenübertragung vom Computer zum Drucker erfolgt über ein Kabel, das an die Schnittstelle des Druckers (serieller Anschluß, Typ D-sub, 25 polig bzw. paralleler Anschluß, Typ Centronics-kompatibel, 36 polig) angeschlossen wird. Das Kabel ist im Lieferumfang dieses Druckers nicht enthalten und muß getrennt gekauft werden.

---

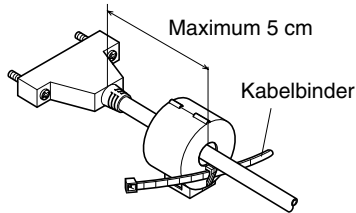
### Wichtig!

- Die folgende Anleitung bezieht sich auf das von IBM-kompatiblen PCs benutzte Kabel und ist deshalb nicht auf alle Computer und Kabel zutreffend. Wenden Sie sich bitte an Ihren Fachhändler, falls Sie Fragen hinsichtlich des für Ihren Computer geeigneten Kabeltyps haben.
  - Vor dem Anschließen der Kabel sicherstellen, daß der Drucker ausgeschaltet und vom Netz getrennt ist.
- 

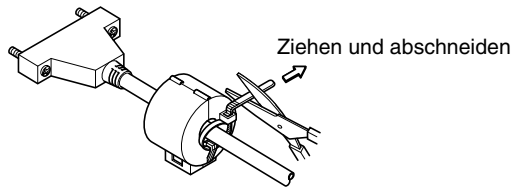
- Befestigen Sie den großen Ferritkern am Kabel, wie das in der folgenden Abbildung gezeigt wird.



Führen Sie den Kabelbinder durch den Ferritkern.



Führen Sie den Kabelbinder um das Kabel und sperren Sie ihn. Schneiden Sie überschüssiges Band mit einer Schere ab.



#### Für ein serielles Schnittstellenkabel:

- Ein Ende des Kabels an den seriellen Anschluß des Computers anschließen und das andere Ende an die Buchse an der Rückseite des Druckers an. Wenn die Stecker durch Schrauben gesichert werden können, diese festziehen.

#### Für ein paralleles Schnittstellenkabel:

- Befestigen Sie den Ferritkern auf die gleiche Weise, wie beim seriellen Kabel.
- Schließen Sie das eine Ende des parallelen Kabels an die parallele Schnittstelle Ihres Computers an. Die parallele Schnittstelle sollte mit der Bezeichnung "Drucker", "Parallel", "PRN", "LPT1" oder einer ähnlichen Bezeichnung versehen sein.
- Schließen Sie das andere Ende des parallelen Kabels an den seitlichen Anschluß des Druckers an, sichern Sie das Kabel mit den beiden dafür vorgesehenen Klammern.



## Anschluß an ein Peripheriegerät

Es kann ein Peripheriegerät an den Drucker mit einem Modularstecker angeschlossen werden. Im folgenden wird beschrieben, wie der Ferritkern angebracht und die Verbindung hergestellt wird. Siehe "Modularstecker" auf Seite 137 für den Typ von Modularstecker, der dazu erforderlich ist. Beachten Sie, daß der Drucker nicht mit einem Modularstecker oder Kabel ausgestattet ist. Diese Teile müssen vom Anwender besorgt werden.

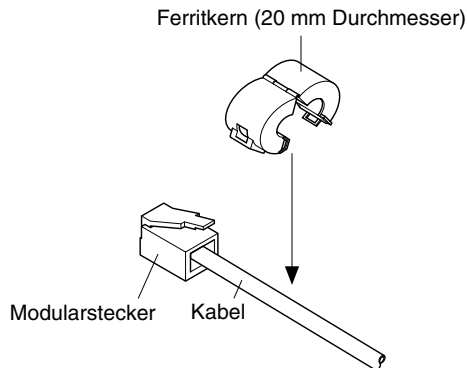
---

### Wichtig!

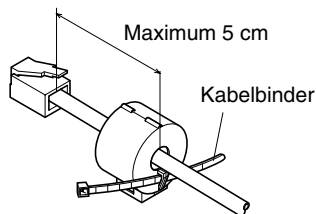
*Vor dem Anschließen der Kabel sicherstellen, daß der Drucker ausgeschaltet und vom Netz getrennt ist.*

---

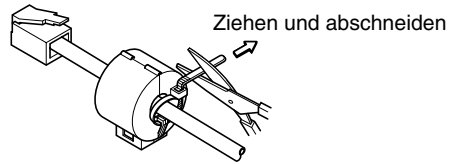
- Befestigen Sie den kleineren Ferritkern am seriellen Kabel, wie das in der folgenden Abbildung gezeigt wird.



Den Kabelbinder durch den Ferritkern führen.



Das Befestigungsband um das Kabel wickeln und sperren.  
Schneiden Sie überschüssiges Band mit einer Schere ab.



- Einen Stecker des Modularkabels in die Modularbuchse am Peripheriegerät stecken.
- Die Modularbuchsenabdeckung von der Rückseite des Druckers abnehmen, und den anderen Stecker des Modularkabels in die Modularbuchse am Drucker stecken.

### ***Papier in den Drucker einlegen***

Benutzen Sie nur Papierarten, die für diesen Drucker speziell angegeben sind. Benutzen Sie kein Papier, das nicht geeignet ist. Dadurch können Fehlfunktionen und eine Beschädigung des Druckers die Folge sein.

Die folgende Beschreibung zeigt Ihnen das Einlegen des Papiers in den Drucker. Bevor Sie zu drucken beginnen, prüfen Sie, ob eine Farbbandkassette in den Drucker eingelegt ist. Sollte das nicht der Fall sein, legen Sie eine Farbbandkassette ein, wie das im Abschnitt "Einsetzen der Farbbandkassette" auf der Seite 64 zu sehen ist.

- Prüfen Sie, ob der Drucker angeschlossen und eingeschaltet ist.
- Prüfen Sie, ob die Anzeige **RELEASE** am Bedienungsfeld leuchtet. Sollte diese Anzeige nicht leuchten, drücken Sie die Taste **RELEASE** so lange, bis diese Anzeige leuchtet.

---

#### ***Wichtig!***

*Das Einlegen und Entfernen des Papiers sollte nur erfolgen, wenn der Drucker das Papier freigegeben hat (das Papier wird nicht von der Papier-Zufuhrrolle festgehalten).*

---

- ❑ Legen Sie ein Blatt Papier auf den Dokumententisch des Druckers und schieben Sie die rechte Ecke in den Drucker. Der Ausdruck erfolgt auf der Seite, die nach oben zeigt (die Seite, die Sie sehen können) und beginnt am oberen Rand des Blattes.

---

### **Wichtig!**

*Benutzen Sie kein verknicktes oder verwelltes Papier. Im Falle eines mehrseitigen Dokumentensatzes richten Sie alle einzelnen Seiten des Dokumentes aus.*

---

Das Papier kann von vorne oder von der Seite in den Drucker eingelegt werden. Es kann aber beim Einlegen von vorne, in Abhängigkeit vom Zustand des Papiers, ein Papierstau verursacht werden. Aus diesem Grund wird empfohlen, daß das Papier immer von der Seite eingelegt wird.

### **Automatischer Papiereinzug (AutoSide Loading™)**

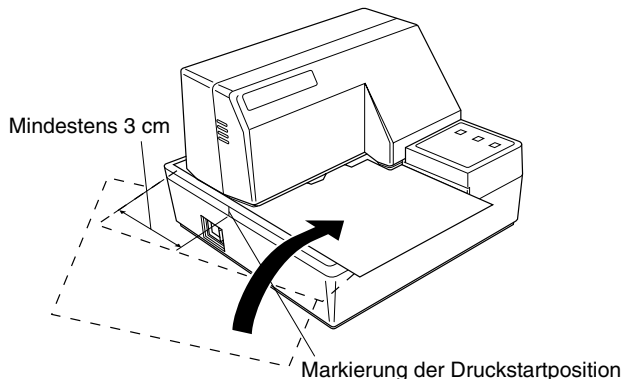
Dieser Drucker ist mit einem Papiersensor ausgestattet, so daß Sie keine besonderen Prozeduren durchführen müssen, um den Startpunkt einzustellen, an dem der Ausdruck erfolgen soll. Legen Sie das Papier einfach in den Drucker und der Sensor erkennt automatisch den oberen Rand des Papiers. Das Papier wird dann automatisch in seine Startposition eingezogen, an der der Ausdruck beginnen soll.

---

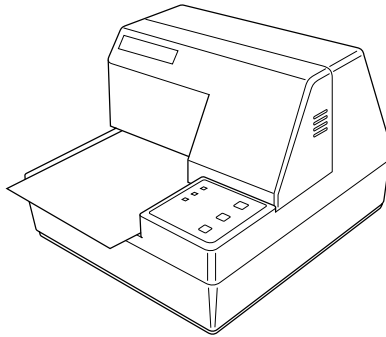
### **Wichtig!**

*Wenn Sie Papier in den Drucker legen, prüfen Sie, daß sich mindesten 3 cm Platz zwischen dem oberen Rand des Blattes und der auf dem Drucker markierten Startposition befinden. Sollte das nicht der Fall sein, kann der Papiersensor das Blatt nicht erkennen und ist daher nicht in der Lage, das Papier in seine Druckstartposition einzuziehen.*

---

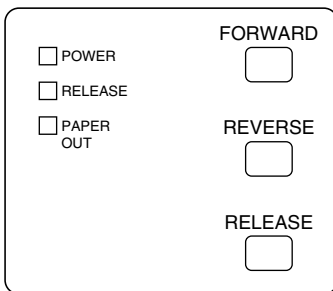


- Schieben Sie die rechte Ecke des Blattes in den Drucker, bis Sie einen Widerstand spüren. Zu diesem Zeitpunkt wird die Anzeige **PAPER OUT** ausgehen und der Druckermechanismus zieht das Blatt automatisch ein und richtet es an der Druckstartposition aus.
- Senden Sie die Druckdaten, die auf dieses Blatt gedruckt werden sollen, von ihrem Computer zum Drucker.
- Drücken Sie nach erfolgtem Ausdruck auf die Taste **RELEASE** und das Blatt wird automatisch freigegeben.



## Kapitel 2: Bedienfeld

Das Bedienungsfeld enthält einige Tasten, mit deren Hilfe Sie den Drucker bedienen können. Es enthält auch einige LED-Anzeigen, die Sie über den aktuellen Status des Druckers informieren.



### Anzeigeleuchten

Die folgende Tabelle stellt die Bedeutung des Leuchtens, Nichtleuchtens oder Blinkens der Anzeigeleuchten dar.

Anzeigeleuchte	Aus	Ein	Blinkt
<b>POWER</b>	Ausgeschaltet	Eingeschaltet	Punktausrichtung-Einstellmodus
<b>PAPER OUT</b>	Papier eingelegt	Kein Papier	Papier-Einlegen-Aufforderung
<b>RELEASE</b>	Quittungspapier eingesetzt	Quittungspapier freigegeben	Mechanischer Fehler

## Tasten

Die folgende Tabelle stellt die Funktion der drei Steuertasten am Bedienfeld dar.

Taste	Beschreibung
<b>FORWARD</b>	Drücken, um das Quittungspapier zur Rückseite des Druckers zuzuführen. Ein Tastendruck schiebt um eine Zeile vor, Gedrückthalten schiebt kontinuierlich vor.
<b>REVERSE</b>	Drücken, um das Quittungspapier zur Vorderseite des Druckers zurückzuführen. Ein Tastendruck schiebt um eine Zeile vor, Gedrückthalten schiebt kontinuierlich vor.
<b>RELEASE</b>	Aktiviert die Freigabe des Papiers (das Papier wird nicht von der Papier-Zufuhrrolle festgehalten). Löscht behebbare Fehler.

### Erstellen eines Testdrucks

Mit Hilfe der folgenden Prozedur können Sie den Drucker zu jeder Zeit testen.

- Den Drucker einschalten, und ein Stück Papier einsetzen (Seite 66, 71).
- Den Drucker ausschalten.
- Die Taste **RELEASE** gedrückt gehalten, und den Drucker wieder einschalten. **RELEASE** einige Sekunden lang gedrückt halten, bis der Drucker einen Piepton abgibt und der Testdruck am Quittungsdrucker startet. Der Quittungsdrucker-Test wird fortgesetzt, bis das Ende des Papiers erreicht ist.

### Einstellen der Punktausrichtung

Das hier beschriebene Verfahren wird nur selten nötig. Es kann aber vorkommen, daß nach längerem Gebrauch des Druckers die Punkte einzelner Grafiken nicht mehr richtig miteinander übereinstimmen. So kann z.B. was folgendermaßen aussehen soll:



kann folgendermaßen aussehen:



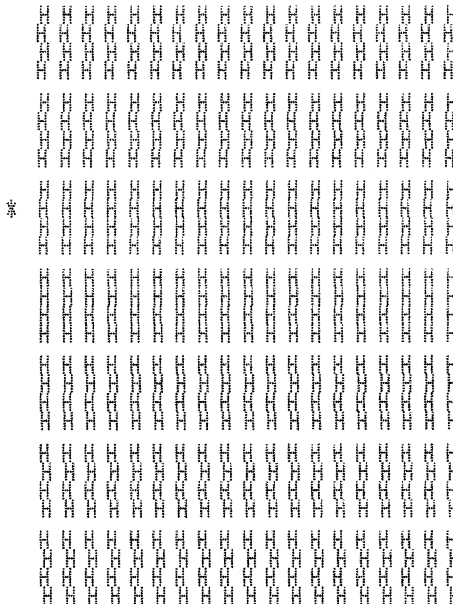
oder wie



Der Grund dafür ist, daß mechanische Teile des Druckers gegeneinander verschoben werden. Dies geschieht nur selten, und die meisten Anwender werden während der Lebensdauer des Druckers damit nicht konfrontiert werden. Falls aber dieses Problem auftritt, kann es auf folgende Weise behoben werden.

- Schalten Sie den Drucker ein und legen Sie ein Blatt Papier ein.
- Den Drucker ausschalten.
- Die Tasten **FORWARD** und **REVERSE** am Bedienfeld gedrückt halten, und den Drucker erneut einschalten, um auf Punktausrichtung zu schalten. Die Betriebsart wird durch das Blinken der **POWER**-Anzeige angezeigt. Wenn der Punktjustierung-Modus eingeschaltet wird, werden sieben Zeichenblöcke ausgedruckt, wie unten gezeigt. Ein Sternchen erscheint links neben den Blöcken, um anzuzeigen, welcher Block momentan gewählt ist.

Dot Alignment Adjust Mode



- Die Taste **FORWARD** drücken, um den Block zu wählen, der die am besten ausgerichteten Zeichen hat. Die Taste einmal drücken, um den ersten Block zu wählen, zweimal für den zweiten Block, und so weiter bis zum siebten Block.

Wenn die Taste mehr als sieben Mal gedrückt wird, ertönt ein Warnton.

- Nach dem Wählen eines Blocks die Taste **REVERSE** drücken, um die Wahl einzugeben, und den Punkteinstellmodus zu verlassen.





## Fehler

Es gibt drei Typen von Fehlern: *behebbar Fehler*, die zum Beheben eine Maßnahme von Seiten des Anwenders erfordern, und *nicht behebbar Fehler*, die Wartungsmaßnahmen durch den Kundendienst erfordern, und *Datenempfangsfehler*. Die Fehlertypen werden durch ein Tonsignal und die Anzeigen dargestellt.

### Behebbar Fehler

Fehlertyp	Anzeigen			Behebung
	POWER	RELEASE	PAPER OUT	
Papierstau		Blinkt		Die Ursache des Problems beheben, und dann RELEASE drücken.
Wagenmotor-Blockierung				
Falsches Grundstellungssignal				
Anormales Zeitgabesignal				

### Nicht behebbar Fehler

Fehlertyp	Anzeigen			Behebung
	POWER	RELEASE	PAPER OUT	
RAM Lesen/Schreiben	Aus	Ein	Ein	Schalten Sie den Drucker aus und nach einigen Minuten wieder ein. Sollte der Fehler dann weiterhin auftreten, wenden Sie sich an Ihren örtlichen Fachhändler.
CPU-Blockierung				

### Datenempfangsfehler

Dieser Fehler kann auftreten, wenn ein Problem während des Datenempfanges aufgetreten ist. Die Methode, wie der Drucker einen Fehler beim Empfangen der Daten versucht zu beheben, ist davon abhängig, in welchen aktuellen Befehlsmodus der Drucker geschaltet ist.

Befehlsmodus	Methode zur Behebung des Datenempfangsfehlers
Star-Modus	Der Drucker druckt ein Fragezeichen.
ESC/POS-Modus	Speicherschalter 4-0 = 0: Der Drucker druckt ein Fragezeichen. Speicherschalter 4-0 = 1: Der Drucker löscht die empfangenen Daten.

## Papiersensoren

Die folgenden Papiersensoren stehen zur Verfügung.

### TOF-Sensor

Dieser Vorderkantensensor (“top of form”) erkennt die Papiervorderkante. Wenn er aktiviert ist, erkennt der TOF-Sensor, daß kein Papier vorhanden ist und stoppt den Druckvorgang.

### BOF-Sensor

Dieser Hinterkantensensor (“bottom of form”) erkennt die Hinterkante des Papiers. Wenn er aktiviert ist, erkennt der BOF-Sensor, daß kein Papier vorhanden ist und unterbricht den Druckvorgang.

Wenn der TOF- oder BOF-Sensor erkennt, daß kein Papier vorhanden ist, stoppt der Drucker den Motor nach einem Druck von 0 bis maximal zwei weiteren Zeilen.

Der Hinterkantensensor (BOF) erkennt den Papier-Verbraucht-Zustand, wenn der Abstand zwischen dem Druckkopf-Pin Nr. 9 und der Hinterkante des Papiers 38,1 mm oder weniger wird. Im Star-Modus wird dadurch der Druck-Stopp-Modus eingeschaltet, aber im ESC/POS-Modus wird der Druck-Stopp-Modus nicht eingeschaltet, bevor der Abstand zwischen Druckkopf-Pin Nr. 9 und der Hinterkante des Papiers 27,3 mm oder weniger wird.

Wenn Auto-Festspannen mit dem Memory-Schalter 5-1 aktiviert ist, wird der Auto-Festspannen-Vorgang etwa 0,7 Sekunden (Vorgabewert im Star-Modus; im ESC/POS-Modus ist der Vorgabewert etwa 1 Sekunde) nach dem Erkennen des Vorhandenseins von Papier von sowohl dem TOF- als auch dem BOF-Sensor ausgeführt, nach einem Papier-Aus-Zustand. Die Auto-Festspannen-Funktion wird nicht davon beeinflusst, ob der TOF- oder BOF-Sensor aktiviert oder deaktiviert ist.

Die TOF-Positionierung Funktion wird mit dem Memory-Schalter 5-0 aktiviert. Auch wenn die Auto-Festspannen-Funktion deaktiviert ist, wird die TOF-Positionierung Funktion ausgeführt, wenn das Papier beim Druckstart festgespannt ist.

Das Lämpchen PAPER OUT blinkt, um das Einführen von Papier auszuführen, wenn die Sensoren erkennen, daß kein Papier vorhanden ist (wenn ein durch Befehl aktivierter Sensor erkennt, daß Papier fehlt), nachdem Daten vom Drucker empfangen werden.

Zu diesem Zeitpunkt setzt der Anwender Papier ein, und der Druck beginnt, nachdem der Sensor erkennt, daß Papier vorhanden ist.

## Kapitel 3: Zusammenfassung der Befehle

Dieser Drucker unterstützt zwei verschiedene Befehlsmodi: den Star-Modus und den ESC/POS-Modus,

Der Star-Modus emuliert den Befehlssatz der Star-Drucker. Der Modus ESC/POS emuliert den Epson TM295 oder TM-290 Quittungsdrucker.

In diesem Kapitel werden alle von diesem Drucker unterstützten Befehle aufgeführt.

### Wichtig!

*Die neueste Version dieser Anleitung und Aktualisierungen der unterstützten Befehlssätze sind im Internet bei der folgenden URL erhältlich: [http://www.star-micronics.co.jp/service/sp\\_sup\\_e.htm](http://www.star-micronics.co.jp/service/sp_sup_e.htm)*

### Befehle des Star-Modus

Die folgenden Tabellen zeigen die Star-Modus-Befehle, die von diesem Drucker unterstützt werden.

#### Wählen von Zeichen

Steuerbefehle	Sedezimal-Codes	Funktion
<ESC> "R" <i>n</i>	1B 52 <i>n</i>	Internationalen Zeichensatz einstellen
<ESC> "m" "1" <ESC> "m" <1>	1B 2F 31 1B 2F 01	Wahl einer Null mit Querstrich
<ESC> "m" "0" <ESC> "m" <0>	1B 2F 30 1B 2F 00	Wahl einer Null ohne Querstrich
<ESC> <GS> "t" <i>n</i>	1B 1D 74 <i>n</i>	Wählt die Zeichencode-Tabelle
<ESC> "M"	1B 4D	7 × 9 (Halbpunkt) Schriftart wählen
<ESC> "P"	1B 50	5 × 9 (2 Impulse pro Punkt) Schriftart wählen
<ESC> "s"	1B 3A	5 × 9 (3 Impulse pro Punkt) Schriftart wählen
<ESC> <SP> <i>n</i>	1B 20 <i>n</i>	Zeichenabstand einstellen
<SO>	0E	Druck mit doppelter Zeichenbreite
<DC4>	14	Druck mit doppelter Zeichenbreite ausschalten

Steuerbefehle	Sedezimal-Codes	Funktion
<ESC> "W" <i>n</i>	1B 57 <i>n</i>	Druck mit doppelter Zeichenbreite ein- bzw. ausschalten
<ESC> "h" <i>n</i>	1B 68 <i>n</i>	Druck mit doppelter Zeichenhöhe ein- bzw. ausschalten
<ESC> " _ " "1" <ESC> " _ " <1>	1B 2D 31 1B 2D 01	Unterstreichen einschalten
<ESC> " _ " "0" <ESC> " _ " <0>	1B 2D 30 1B 2D 00	Unterstreichen ausschalten
<ESC> " _ " "1" <ESC> " _ " <1>	1B 5F 31 1B 5F 01	Überstreichen einschalten
<ESC> " _ " "0" <ESC> " _ " <0>	1B 5F 30 1B 5F 00	Überstreichen ausschalten
<ESC> "4"	1B 34	Hervorgehobener Ausdruck einschalten
<ESC> "5"	1B 35	Hervorgehobener Ausdruck ausschalten
<SI>	0F	Invertierter Druck einschalten
<DC2>	12	Invertierter Druck ausschalten
<ESC> <RS> "i" "0" <ESC> <RS> "i" <0>	1B 1E 96 30 1B 1E 96 00	Hebt Rotationsdruckmodus für Text auf (Standard)
<ESC> <RS> "i" "1" <ESC> <RS> "i" <1>	1B 1E 96 31 1B 1E 96 01	Gibt Rotationsdruckmodus für Text mit einer 270-Grad-Drehung ein.
<ESC> <RS> "i" "2" <ESC> <RS> "i" <2>	1B 1E 96 32 1B 1E 96 02	Gibt Rotationsdruckmodus für Text mit einer 90-Grad-Drehung ein.
<ESC> "E"	1B 45	Fettdruck einschalten
<ESC> "F"	1B 46	Fettdruck ausschalten
<ESC> "U" <i>n</i>	1B 55 <i>n</i>	Wahl der Druckrichtung

## Ändern der Druckposition

Steuerbefehle	Sedezimal-Codes	Funktion
<LF>	0A	Zeilenvorschub
<CR>	0D	Wagenrücklauf
<ESC> "a" <i>n</i>	1B 61 <i>n</i>	Papieranschub <i>n</i> Zeilen einstellen
<HT>	09	Nächste horizontale Tabulatorposition
<ESC> "A" <i>n</i>	1B 41 <i>n</i>	Zeilenabstand <i>n</i> /72 Zoll definieren
<ESC> "2"	1B 32	Zeilenabstand von <i>n</i> /72 Zoll ausführen
<ESC> "z" "0" <ESC> "z" <0>	1B 7A 30 1B 7A 00	Zeilenabstand 1/12 Zoll einstellen
<ESC> "z" "1" <ESC> "z" <1>	1B 7A 31 1B 7A 01	Zeilenabstand 1/6 Zoll einstellen
<ESC> "0"	1B 30	Zeilenabstand 1/8 Zoll einstellen
<ESC> "1"	1B 31	Zeilenabstand 7/72 Zoll einstellen
<ESC> "J" <i>n</i>	1B 4A <i>n</i>	Einmaliger Zeilenvorschub von <i>n</i> /72 Zoll
<ESC> "j" <i>n</i>	1B 6A <i>n</i>	Einmaliger Zeilenrücktransport von <i>n</i> /72 Zoll
<ESC> "3" <i>n</i>	1B 33 <i>n</i>	Angenäherten Zeilenabstand <i>n</i> /216 Zoll einstellen
<ESC> "y" <i>n</i>	1B 79 <i>n</i>	Zeilenabstand <i>n</i> /144 Zoll einstellen
<ESC> "D" <i>n1 n2 ... &lt;0&gt;</i>	1B 44 <i>n1 n2 ... 00</i>	Horizontale Tabulatorpositionen setzen
<ESC> "l" <i>n</i>	1B 6C <i>n</i>	Linken Rand setzen
<ESC> "Q" <i>n</i>	1B 51 <i>n</i>	Rechten Rand setzen
<ESC> <GS> "a" "0" <ESC> <GS> "a" <0>	1B 1D 61 30 1B 1D 61 00	Linksbündig (Standard)
<ESC> <GS> "a" "1" <ESC> <GS> "a" <1>	1B 1D 61 31 1B 1D 61 01	Zentrieren
<ESC> <GS> "a" "2" <ESC> <GS> "a" <2>	1B 1D 61 32 1B 1D 61 02	Rechtsbündig

## Druck von Rastergrafiken

Steuerbefehle	Sedezimal-Codes	Funktion
<ESC> "K" <i>n</i> <0> <i>m1 m2</i> ...	1B 4B <i>n</i> 00 <i>m1 m2</i> ...	Grafikdruck in normaler Auflösung
<ESC> "L" <i>n1 n2 m1 m2</i> ...	1B 4C <i>n1 n2 m1 m2</i> ...	Grafikdruck in hoher Auflösung

## Druck von heruntergeladenen Zeichen

Steuerbefehle	Sedezimal-Codes	Funktion
<ESC> "&" <0> <i>n1 n2</i> ..	1B 26 00 <i>n1 n2</i> ..	Heruntergeladenes Zeichen definieren
<ESC> "%" "1" <ESC> "%" <1>	1B 25 31 1B 25 01	Heruntergeladenen Zeichensatz aktivieren
<ESC> "%" "0" <ESC> "%" <0>	1B 25 30 1B 25 00	Heruntergeladenen Zeichensatz deaktivieren

## Steuern von Peripheriegeräten

Steuerbefehle	Sedezimal-Codes	Funktion
<ESC> <BEL> <i>n1 n2</i>	1B 26 00 <i>n1 n2</i>	Treiberimpuls für Peripheriegerät definieren #1
<BEL>	07	Steuerbefehl für Peripheriegerät #1
<FS>	1C	Sofortiger Steuerbefehl für Peripheriegerät #1
<EM>	19	Sofortiger Steuerbefehl für Peripheriegerät #2
<SUB>	1A	Sofortiger Steuerbefehl für Peripheriegerät #2

## Steuern des Quittungsdruckers

Steuerbefehle	Sedezimal-Codes	Funktion
<ESC> <SI> <i>n</i>	1B 0F <i>n</i>	Quittungs-Sensor einstellen
<ESC> <FF> <i>n</i>	1B 0C <i>n</i>	Quittungs-Funktion
<ESC> <VT> <i>m n</i>	1B 0B <i>m n</i>	Richtung/Länge für Papierauswurf einstellen
<ESC><EM> <i>mn</i> <LF><NUL>	1B 19 <i>n m</i> 0A 00	Wartezeit für automatisches Einspannen einstellen

## Befehle für Seitenmodus

Steuerbefehle	Sedezimal-Codes	Funktion
<ESC> "n"	1B 6E	Seitenmodus wählen
<ESC> "l"	1B 21	Zeilenmodus wählen
<ESC> "*" ...	1B 2A ...	Druckbereich im Seitenmodus einstellen
<ESC> "T" n	1B 54 n	Druckrichtung im Seitenmodus einstellen
<FF>	0C	Im Seitenmodus drucken

## Weitere Befehle

Steuerbefehle	Sedezimal-Codes	Funktion
<CAN>	18	Druckerspeicher löschen und Drucker initialisieren
<DC3>	13	Drucker Offline schalten
<DC1>	11	Drucker Online schalten
<RS>	1E	Druckersignal
<ESC> "#N, n1, n2, n3, n4" <LF> <NUL>	1B 23 N 2C n1 n2 n3 n4 0A 00	Speicherschalter einstellen
<ESC> "@"	1B 40	Drucker initialisieren
<EOT>	04	Überträgt EOT-Status
<ENQ>	05	Überträgt ENQ-Status
<ETB>	17	Bestätigt Druckende
<ESC> <ACK> <SOH>	1B 06 01	Überträgt Automatikstatus
<ESC> <RS> "a" n	1B 1E 61 n	Aktiviert/deaktiviert Automatikstatus
<ESC> "?" <LF> <NUL>	1B 3F 0A 00	Drucker-Hardware zurücksetzen und Testausdruck ausführen

## Befehle des ESC/POS-Modus (TM-295 Emulation)

Die folgende Tabelle führt die TM-295 Emulationsbefehle aus, die von diesem Drucker unterstützt werden.

Steuerbefehle	Sedezimal-Codes	Funktion
<HT>	09	Horizontaler Tab
<LF>	0A	Zeilenvorschub
<FF>	0C	Papierauswurf im Einzelblattmodus Papiermodus drucken und zurückschalten
<DLE> <EOT>	10 04	Übertragung in Echtzeit aktivieren (nur serielle Schnittstelle)
<CAN>	18	Druckdaten in Seitenmodus löschen
<ESC> SP	1B 20	Leerstelle rechts neben Zeichen einstellen
<ESC> !	1B 21	Batch-Druckmodus aktivieren
<ESC> #	1B 23	Speicherschalter einstellen
<ESC> %	1B 25	Heruntergeladenen Zeichensatz aktivieren/deaktivieren
<ESC> &	1B 26	Heruntergeladenes Zeichen definieren
<ESC> *	1B 2A	Bitbildmodus wählen
<ESC> 2	1B 32	1/6-Zoll-Zeilensabstand wählen
<ESC> 3	1B 33	Angenäherten Zeilensabstand $n/60$ Zoll einstellen *1
<ESC> =	1B 3D	Peripheriegerät wählen
<ESC> @	1B 40	Drucker initialisieren
<ESC> C	1B 43	Ausgabelänge für Einzelblattdruck einstellen
<ESC> D	1B 44	Horizontale Tab-Position einstellen
<ESC> F	1B 46	Rückwärtsvorschub für Einzelblattmodus aktivieren/ deaktivieren
<ESC> J	1B 4A	Ausdruck und $n/60$ Zoll (ungefährer Wert) Papiervorschub *1
<ESC> K	1B 4B	Ausdruck und $n/60$ Zoll (ungefährer Wert) Papierrücktransport 1*

\*1: Befehle für  $n/60$  Zoll Zeilensabstand und Papiertransport:

Da der kleinste Papiervorschub dieses Druckers 1/144 Zoll beträgt, kann  $n/60$  Zoll als ungefähre Wert angenommen werden. Der aktuelle Wert beträgt: INT  $((6n/5) + 0,5)/72$  Zoll.



Steuerbefehle	Sedezimal-Codes	Funktion
<ESC> L	1B 4C	Seitenmodus wählen
<ESC> R	1B 52	Internationalen Zeichensatz wählen
<ESC> T	1B 54	Richtung für Seitendruck-Zeichendruck wählen
<ESC> U	1B 55	Wahl der Druckrichtung
<ESC> V	1B 56	90° Zeichendrehung EIN/AUS
<ESC> W	1B 57	Druckbereich für Seitenmodus-Druck einstellen
<ESC> a	1B 61	Position ausrichten
<ESC> c3	1B 63 33	Papierende-Sensor für Papierende-Signal einstellenn
<ESC> c4	1B 63 34	Papierende-Sensor für Druckabbruch einstellen
<ESC> c5	1B 63 35	Bedienfeldschalter aktivieren/deaktivieren
<ESC> d	1B 64	<i>n</i> Zeilen drucken oder vorschieben
<ESC> e	1B 65	<i>n</i> Zeilen drucken oder zurückschieben
<ESC> f	1B 66	Einzelblatt-Wartezeit einstellen
<ESC> p	1B 70	Spezifizierten Impuls erzeugen
<ESC> q	1B 71	Freigeben
<ESC> t	1B 74	Zeichencodetabelle wählen
<ESC> u	1B 75	Peripheriestatus übertragen (nur serielle Schnittstelle)
<ESC> v	1B 76	Papiersensorstatus anfragen (nur serielle Schnittstelle)
<ESC> {	1B 7B	Invertierten Drucke aktivieren/deaktivieren
<GS> l	1D 49	Drucker-ID übertragen (nur serielle Schnittstelle)
<GS> a	1D 61	Automatische Übertragung des Druckerstatus aktivieren/deaktivieren (nur serielle Schnittstelle)
<GS> r	1D 72	Druckerstatus übertragen (nur serielle Schnittstelle)

## Befehle des ESC/POS-Modus (TM-290 Emulation)

Die folgende Tabelle führt die TM-290 Emulationsbefehle aus, die von diesem Drucker unterstützt werden.

Steuerbefehle	Sedezimal-Codes	Funktion
<HT>	09	Horizontaler Tab
<LF>	0A	Zeilenvorschub
<FF>	0C	Papierauswurf im Einzelblattmodus
<ESC> SP	1B 20	Leerstelle rechts neben Zeichen einstellen
<ESC> !	1B 21	Batch-Druckmodus aktivieren
<ESC> #	1B 23	Speicherschalter einstellen
<ESC> *	1B 2A	Bitbildmodus wählen
<ESC> 2	1B 32	1/6-Zoll-Zeilenabstand wählen
<ESC> 3	1B 33	Angenäherten Zeilenabstand $n/60$ Zoll einstellen *1
<ESC> @	1B 40	Drucker initialisieren
<ESC> D	1B 44	Horizontale Tab-Position einstellen
<ESC> M	1B 4D	7 × 9 Schriftart wählen
<ESC> P	1B 50	5 × 9 Schriftart wählen

\*1: Befehle für  $n/60$  Zoll Zeilenabstand und Papiertransport:

Da der kleinste Papiervorschub dieses Druckers  $1/144$  Zoll beträgt, kann  $n/60$  Zoll als ungefähre Wert angenommen werden. Der aktuelle Wert beträgt: INT  $((6n/5) + 0,5)/72$  Zoll.

Steuerbefehle	Sedezimal-Codes	Funktion
<ESC> R	1B 52	Internationalen Zeichensatz wählen
<ESC> c3	1B 63 33	Papierende-Sensor für Papierende-Signal einstellenn
<ESC> c4	1B 63 34	Papierende-Sensor für Druckabbruch einstellen
<ESC> c5	1B 63 35	Bedienfeldschalter aktivieren/deaktivieren
<ESC> d	1B 64	<i>n</i> Zeilen drucken oder vorschieben
<ESC> h	1B 68	Aktiviert/Deaktiviert den Rückwärts-Zeilenvorschub
<ESC> j	1B 6A	Wählt die Zeichenbreite im vertikalen Druckmodus
<ESC> q	1B 71	Freigeben
<ESC> t	1B 74	Zeichencodetabelle wählen
<ESC> v <i>n</i>	1B 76 <i>n</i>	Papiersensorstatus anfragen (nur serielle Schnittstelle)
<ESC> {	1B 7B	Invertierten Drucke aktivieren/deaktivieren
<FS> J	1C 4A	Stellt den vertikalen Druckmodus ein
<FS> K	1C 4B	Hebt den vertikalen Druckmodus auf
<FS> W	1C 57	Aktiviert/Deaktiviert das doppelthohe, doppeltbreite Drucken



# INDICE

<b>Capitolo 1:</b>	<b>Preparativi.....</b>	<b>91</b>
	Scelta di un luogo per la stampante .....	91
	Disimballaggio della stampante.....	92
	Rimozione del materiale protettivo.....	92
	Guida generale .....	93
	Rimozione del coperchio stampante .....	94
	Inserimento della cassetta del nastro .....	94
	Rimozione della cassetta del nastro .....	96
	Collegamento ad una presa di corrente e accensione e spegnimento .....	96
	Collegamento al computer ospite .....	98
	Collegamento ad un'unità periferica.....	100
	Inserimento della carta nella stampante.....	101
	AutoSide Loading™ .....	102
<b>Capitolo 2:</b>	<b>Operazioni con il pannello comandi.....</b>	<b>104</b>
	Spie di indicazione .....	104
	Tasti .....	105
	Produzione di uno stampato di prova .....	105
	Regolazione dell'allineamento punti .....	105
	Scaricamento esadecimale .....	107
	Errori.....	108
<b>Capitolo 3:</b>	<b>Sommario dei comandi.....</b>	<b>110</b>
	Comandi del modo Star .....	110
	Comandi del modo ESC/POS (emulazione TM-295).....	115
	Comandi del modo ESC/POS (emulazione TM-290).....	117
<b>APPENDICE:</b>	<b>.....</b>	<b>120</b>

*L'Appendice appare solo nella sezione in inglese di questo manuale.*

Visitare il seguente indirizzo URL  
<http://www.star-m.jp/eng/dl/dl02.htm>  
per accedere alla versione più recente del manuale.

## Capitolo 1: Preparativi

---

Questo capitolo contiene informazioni importanti su come preparare la stampante. Assicurarsi di leggere attentamente questo capitolo prima di usare la stampante per la prima volta. In questo capitolo spieghiamo quanto segue:

- Scelta di un luogo per la stampante
- Disimballaggio e installazione della stampante
- Inserimento della cassetta del nastro
- Collegamento ad un computer ospite
- Inserimento della carta

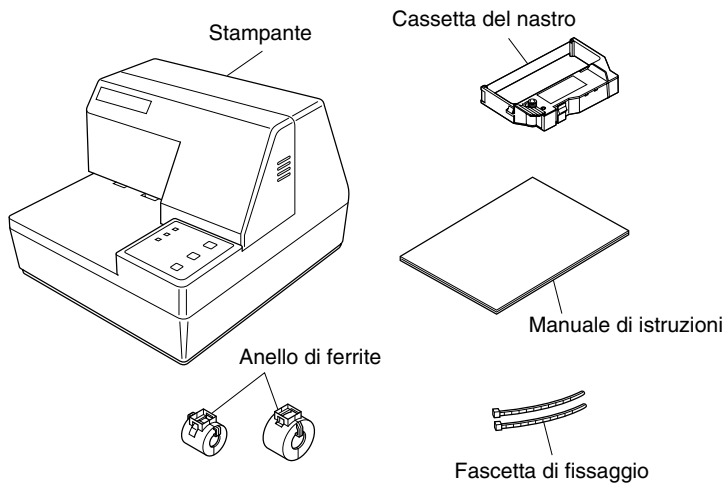
### *Scelta di un luogo per la stampante*

Prima di disimballare la stampante, decidere dove si desidera installarla. Tenere presenti i seguenti punti.

- ✓ Scegliere una superficie stabile e in piano, dove la stampante non sia esposta a vibrazioni.
- ✓ La presa di corrente che si intende usare per la stampante deve essere vicina e libera da ostacoli.
- ✓ La stampante deve essere abbastanza vicina al computer da permettere il collegamento tra i due.
- ✓ Assicurarsi che la stampante non sia esposta alla luce solare diretta.
- ✓ Assicurarsi che la stampante sia lontana da caloriferi e altre fonti di calore elevato.
- ✓ Assicurarsi che l'area circostante sia pulita, asciutta e priva di polvere.
- ✓ Assicurarsi che la stampante sia collegata ad una presa di corrente affidabile. Non deve essere la stessa presa di corrente di copiatrici, frigoriferi e altre apparecchiature che causano picchi di corrente.
- ✓ Usare una presa di corrente corrispondente ai limiti di impiego dell'alimentazione indicati sull'etichetta affissa al fondo della stampante.
- ✓ Assicurarsi che la stanza dove si usa la stampante non sia troppo umida.

## Disimballaggio della stampante

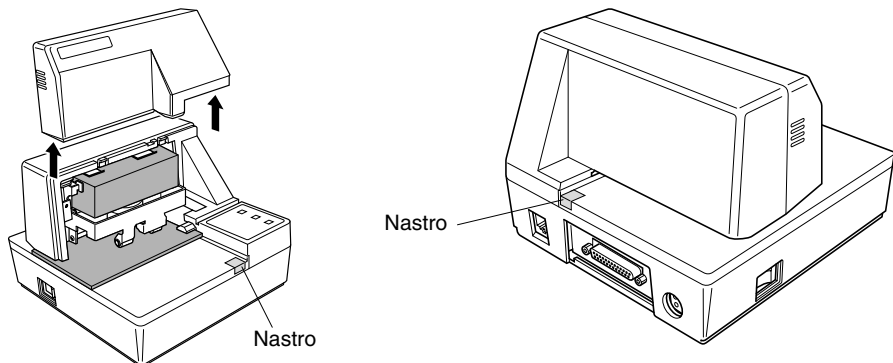
Controllare che lo scatolone contenga tutti gli elementi indicati nella seguente illustrazione.



Se dovesse mancare qualcosa, contattare il concessionario da cui si è acquistata la stampante e richiedere la parte mancante. Notare che è consigliabile conservare lo scatolone originale e tutti i materiali di imballaggio in caso si debba reimballare e spedire la stampante in futuro.

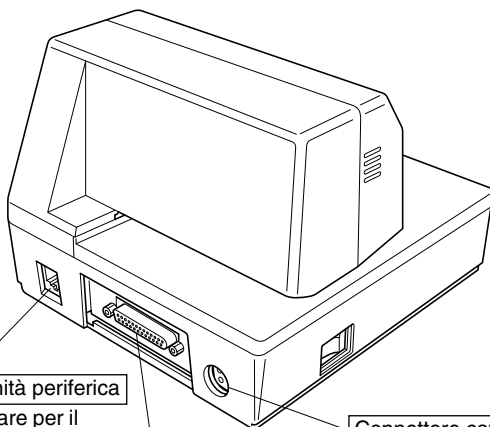
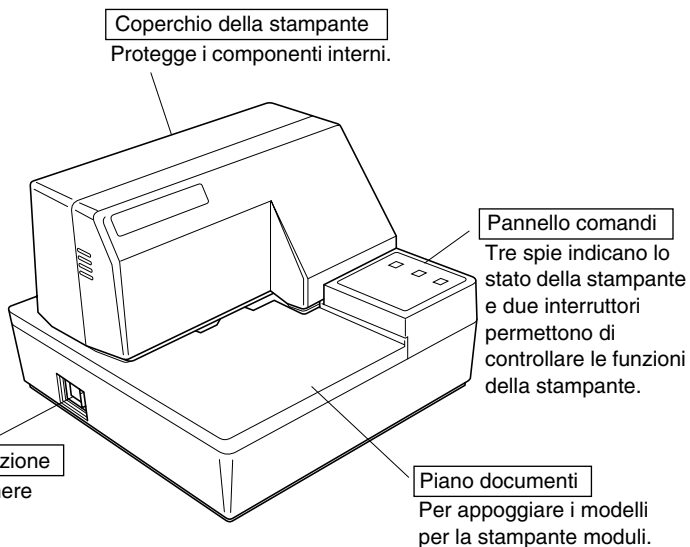
## Rimozione del materiale protettivo

Fogli protettivi e un pezzo di cartone sono inseriti nella stampante per proteggere i componenti durante la spedizione. Prima di usare la stampante assicurarsi di rimuovere tutto il materiale di imballaggio dall'interno del coperchio della stampante come mostrato nell'illustrazione.



## Guida generale

Le seguenti illustrazioni descrivono le parti principali, i tasti e i connettori della stampante.

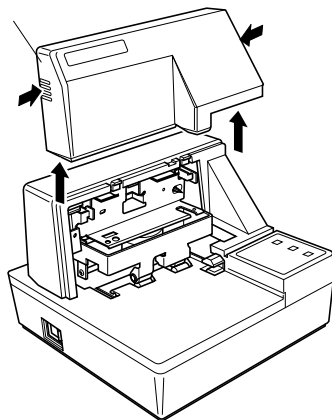




## Rimozione del coperchio stampante

- ❑ Spingere direttamente verso l'alto sulle zigrinature sui lati del coperchio stampante per rimuoverlo dalla stampante.

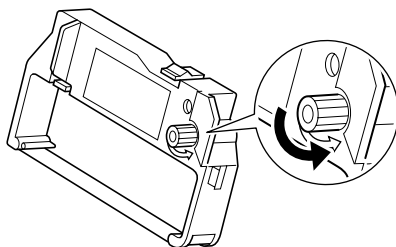
Coperchio della stampante



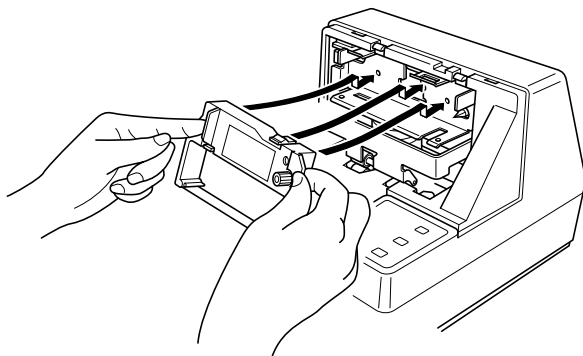
- ❑ Per rimettere il coperchio, abbassarlo in posizione. Premere leggermente sul coperchio fino a sentire che scatta in posizione.

## Inserimento della cassetta del nastro

- ❑ Assicurarsi che il meccanismo di rilascio carta della stampante sia attivato (la carta non viene mantenuta in posizione dal rullo di avanzamento carta). Se non è possibile stabilire se il meccanismo di rilascio carta è attivato, accendere la stampante e verificare che la spia **RELEASE** sul pannello di controllo sia accesa. Se la spia non è accesa, premere il tasto **RELEASE** finché la spia non si accende.
- ❑ Assicurarsi che la stampante sia spenta e scollegata dalla presa di corrente.
- ❑ Rimuovere il coperchio della stampante.
- ❑ Rimuovere la cassetta del nastro dalla confezione e girare la sua manopola nella direzione indicata dalla freccia per eliminare eventuali allentamenti del nastro.



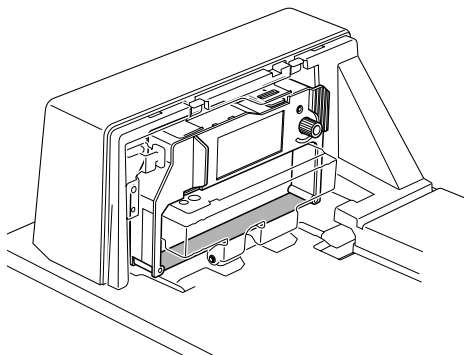
- Tenendo la cassetta del nastro con il nastro rivolto verso il basso, inserire la cassetta nella stampante di moduli come indicato nell'illustrazione.



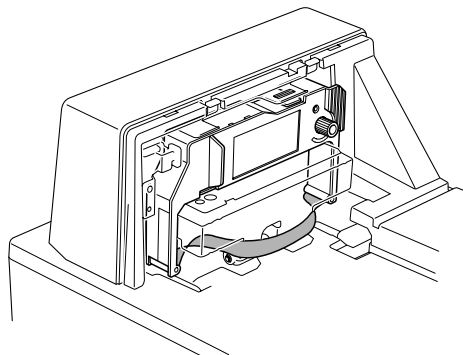
- Premere delicatamente ma con fermezza fino a che la cassetta scatta saldamente in posizione.
- Girare di nuovo la manopola della cassetta per eliminare allentamenti.
- Rimettere il coperchio della stampante.

### **Importante!**

*Prima di inserire la cassetta del nastro, assicurarsi che il nastro non sia attorcigliato. In caso contrario, il nastro potrebbe incepparsi nella stampante e danneggiare i rulli nastro.*



<Corretto: il nastro non è attorcigliato>



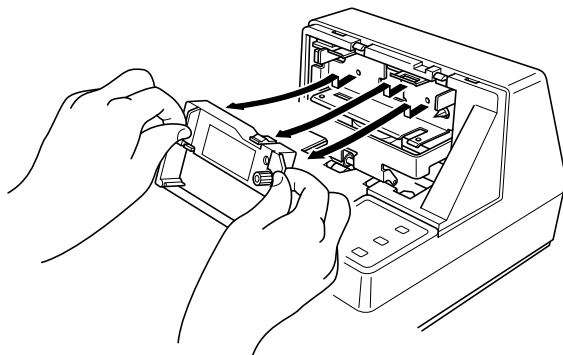
<Non corretto: il nastro è attorcigliato>

*Inoltre, se il nastro dovesse attorcigliarsi una volta installata la cassetta, estrarre la cassetta, raddrizzare il nastro, quindi reinstallare la cassetta.*

## ***Rimozione della cassetta del nastro***

Usare il seguente procedimento per rimuovere la cassetta del nastro dalla stampante di moduli quando si desidera sostituirla con un'altra nuova.

- Assicurarsi che la stampante sia spenta e scollegata dalla presa di corrente.
- Rimuovere il coperchio della stampante.
- Afferrare la cassetta del nastro come illustrato e tirarla via dolcemente dal meccanismo di stampa.



- Usare il procedimento in “Inserimento della cassetta del nastro” a pagina 94 per installare una nuova cassetta.

## ***Collegamento ad una presa di corrente e accensione e spegnimento***

- Collegare il trasformatore CA in dotazione alla stampante al connettore per cavo trasformatore CA della stampante.
- Collegare un cavo di alimentazione a tre spine con messa a terra al connettore cavo di alimentazione del trasformatore CA.

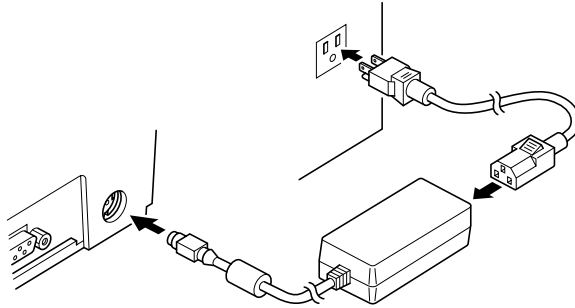
---

### ***Nota:***

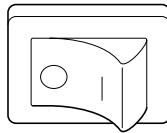
*La stampante non è dotata di cavo di alimentazione, che deve essere acquistato separatamente.*

---

- ❑ Collegare l'altro capo del cavo di alimentazione ad una presa di corrente normale.



- ❑ Usare l'interruttore di alimentazione sul lato sinistro della stampante per accendere e spegnere.



---

### **Importante!**

*Consigliamo di scollegare la stampante dalla presa di corrente quando si prevede di non usarla per un lungo periodo. Per questo motivo, la stampante deve essere collocata in modo che la presa di corrente sia vicina e facilmente accessibile.*

---

A questo punto si consiglia di eseguire un collaudo della stampante per verificare che funzioni correttamente. Vedere pagina 105 per dettagli su come collaudare la stampante.

## Collegamento al computer ospite

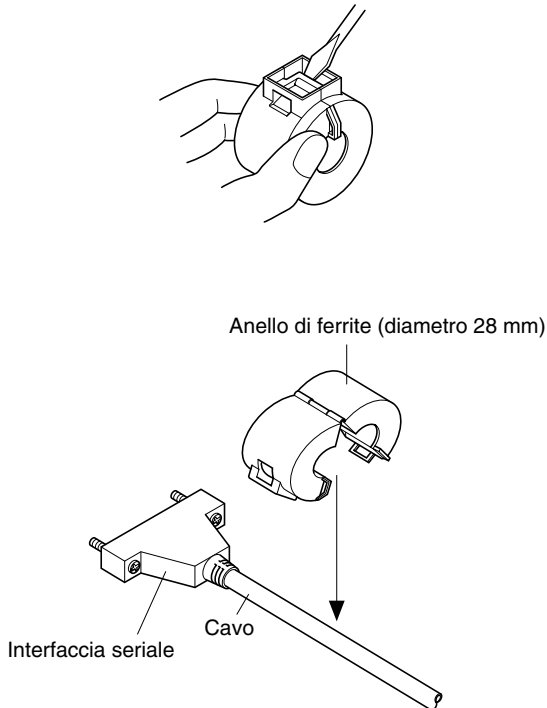
Il computer invia dati alla stampante tramite un cavo collegato all'interfaccia della stampante (tipo connettore interfaccia seriale: D-sub a 25 terminali o tipo connettore interfaccia parallela: compatibile Centronics a 36 terminali). Questa stampante non è dotata di cavo, che deve essere acquistato a seconda delle esigenze di impiego.

---

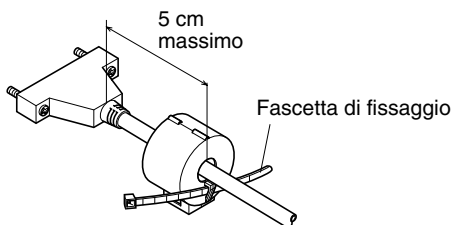
### Importante!

- *Le seguenti istruzioni si applicano al cavo usato con personal computer compatibili IBM. Notare che non si applicano a tutti i tipi di computer e di cavo. Se non si è sicuri di quale tipo di cavo usare per il proprio computer, consultare il proprio rivenditore.*
  - *Assicurarsi che la stampante sia spenta e scollegata dalla presa di corrente e che il computer sia spento prima di collegare i due.*
- 

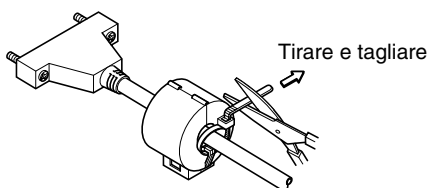
- Fissare l'anello di ferrite più grande al cavo come mostrato nell'illustrazione qui sotto.



Far passare la fascetta di fissaggio attraverso l'anello di ferrite.



Avvolgere la fascetta intorno al cavo e fissarla. Usare delle forbici per tagliare la parte in eccesso.



#### Per un cavo seriale:

- Collegare un capo del cavo seriale alla porta seriale del computer e l'altro capo alla presa sul retro della stampante. Fissare entrambi i connettori in posizione con le viti in dotazione.

#### Per un cavo parallelo:

- Fissare un anello di ferrite come descritto per un cavo seriale.
- Collegare un capo del cavo parallelo alla porta parallela del computer. La porta parallela è indicata dall'etichetta "Printer", "Parallel", "PRN", "LPT1" o simili.
- Collegare l'altro capo del cavo parallelo alla presa sul fianco della stampante e fissarla in posizione con gli appositi fermagli.

## Collegamento ad un'unità periferica

Si può collegare un'unità periferica alla stampante usando una spina modulare. Di seguito descriviamo come installare l'anello di ferrite ed eseguire il collegamento. Vedere "Modulare necessario" a pagina 137 per dettagli sul tipo di spina modulare necessario. Notare che la stampante non è dotata di spina o filo modulare, che devono essere acquistati in base alle esigenze di impiego.

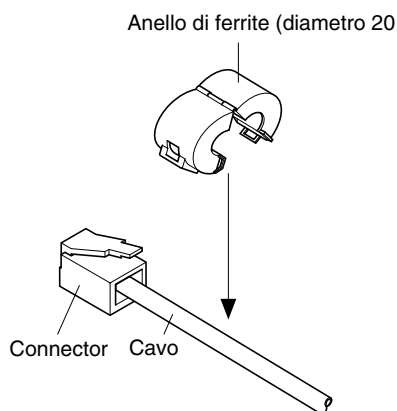
---

### Importante!

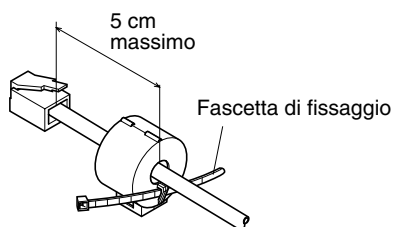
*Assicurarsi che la stampante sia spenta e scollegata dalla presa di corrente e che il computer sia spento prima di eseguire il collegamento.*

---

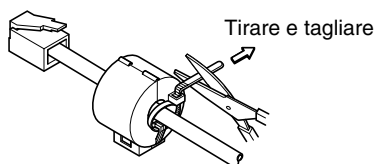
- ❑ Fissare l'anello di ferrite più piccolo al cavo modulare come mostrato nell'illustrazione qui sotto.



Far passare la fascetta di fissaggio attraverso l'anello di ferrite.



Avvolgere la fascetta intorno al cavo e fissarla. Usare delle forbici per tagliare la parte in eccesso.



- Collegare un capo del cavo modulare alla presa modulare della periferica.
- Rimuovere il coperchio presa modulare dal retro della stampante e collegare l'altro capo del cavo modulare alla presa sulla stampante.

### ***Inserimento della carta nella stampante***

Usare esclusivamente carta del tipo specificato per questa stampante. Non usare tipi di carta non appropriati che potrebbero causare malfunzionamenti o danneggiare la stampante.

La procedura che segue descrive come stampare sulla carta. Prima di stampare, assicurarsi di aver installato la cassetta del nastro nella stampante secondo la procedura indicata nella sezione "Installazione della cassetta del nastro" a pagina 94.

- Assicurarsi che la stampante sia collegata alla presa elettrica e sia accesa.
- Verificare che la spia **RELEASE** sul pannello di controllo sia accesa. In caso contrario, premere il tasto **RELEASE** finché la spia non si accende.

---

#### ***Importante!***

*L'inserimento e la rimozione della carta devono essere eseguite solo quando la stampante si trova in condizione di rilascio (la carta non viene trattenuta dal rullo di avanzamento carta).*

---



- ❑ Collocare un foglio di carta sul ripiano documenti della stampante ed inserire il bordo destro nella stampante. La stampa verrà eseguita sul lato della carta rivolto verso l'alto (quello visibile), partendo dal margine superiore del foglio.

---

**Importante!**

*Non usare carta sgualcita o arricciata. In caso di utilizzo di carta a più copie, allineare esattamente i fogli.*

---

Sebbene sia possibile inserire la carta dal lato frontale della stampante, inserendola in questo senso può causare inceppamenti, a seconda delle condizioni in cui si trova la carta. Per questo motivo, si consiglia di inserire la carta sempre lateralmente.

**AutoSide Loading™**

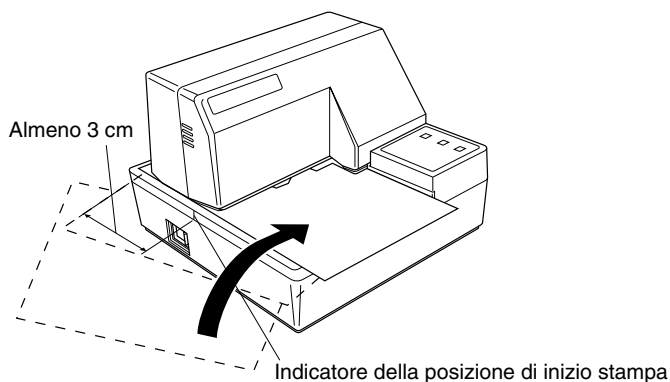
Questa stampante è dotata di sensori carta che eliminano la necessità di eseguire operazioni speciali per allineare la posizione di inizio stampa. È sufficiente inserire la carta nella stampante, e il sensore rileverà il margine superiore del foglio. La carta avanzerà automaticamente nella posizione di stampa.

---

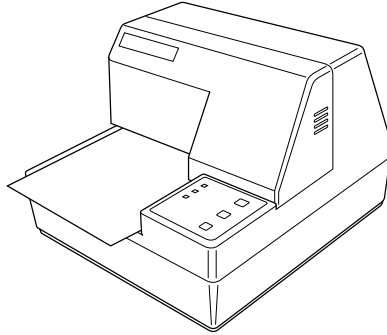
**Importante!**

*Quando si inserisce la carta nella stampante, assicurarsi che vi sia una distanza di almeno 3 cm tra il margine superiore del foglio e l'indicatore della posizione di inizio stampa sulla stampante. In caso contrario, il sensore carta potrebbe non riuscire a rilevare il margine superiore del foglio.*

---

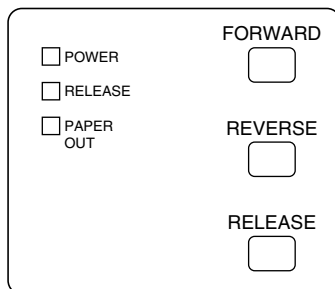


- Spingere il bordo destro della carta nella stampante fino al suo arresto. A questo punto, la spia **PAPER OUT** si spegnerà, e il meccanismo della stampante allineerà automaticamente la carta per la stampa partendo dal margine superiore.
- Inviare i dati da stampare sulla carta dal computer principale.
- Terminata la stampa, premere il tasto **RELEASE** per rilasciare automaticamente la carta.



## Chapter 2: Operazioni con il pannello comandi

Il pannello di controllo consente di controllare il funzionamento della stampante tipo slip mediante l'uso di tasti. Esso comprende inoltre alcune spie luminose che consentono all'operatore di conoscere con una rapida occhiata lo stato operativo della stampante.



### Spie di indicazione

La seguente tabella descrive il significato delle spie di indicazione quando sono accese, spente o lampeggianti.

Spia di indicazione	Spenta	Accesa	Lampeggiante
<b>POWER</b>	Stampante spenta	Stampante accesa	Modo di regolazione allineamento punti
<b>PAPER OUT</b>	Carta inserita	Carta assente	Richiesta di inserimento carta
<b>RELEASE</b>	Carta modulo ingaggiata	Carta modulo rilasciata	Errore meccanico

## Tasti

La seguente tabella descrive le funzioni dei tre tasti di controllo del pannello comandi.

Tasto	Descrizione
<b>FORWARD</b>	Fa avanzare il modulo di carta in avanti, verso il retro della stampante. Una pressione del tasto fa avanzare la carta di una riga, tenendo il tasto premuto viene eseguito l'avanzamento continuo.
<b>REVERSE</b>	Fa retrocedere il modulo di carta, verso il davanti della stampante. Una pressione fa retrocedere la carta di una riga, tenendo il tasto premuto viene eseguito il movimento continuo.
<b>RELEASE</b>	Attiva il meccanismo di rilascio carta della stampante (la carta non viene mantenuta in posizione dal rullo di avanzamento carta). Ripristina errori risolvibili.

### Produzione di uno stampato di prova

È possibile usare la seguente procedura in qualsiasi momento per eseguire una stampa di prova.

- Accendere la stampante e inserire un foglio di carta (pagina 96, 101).
- Spegnerla stampante.
- Tenendo premuto **RELEASE**, riaccendere la stampante. Tenere premuto **RELEASE** per alcuni secondi fino a che la stampante emette un segnale acustico e inizia la stampa di collaudo della stampante ricevute. Il collaudo stampante continua fino a raggiungere la fine del foglio.

### Regolazione dell'allineamento punti

Può non essere mai necessario eseguire il procedimento descritto in questa sezione, ma dopo che si è usata la stampante per qualche tempo, si può notare che i punti di qualche grafico non sono allineati correttamente. Per esempio, ciò che dovrebbe essere:



può apparire come uno dei seguenti:



oppure così

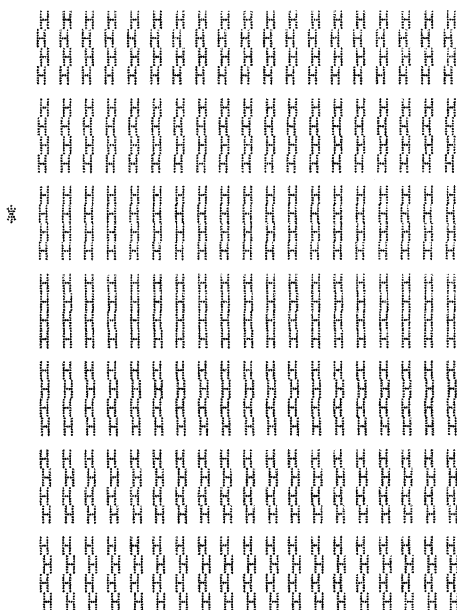


Questo è causato da una perdita di allineamento delle parti meccaniche della stampante. Questo succede solo raramente e può non verificarsi mai durante l'uso della stampante. Se si hanno problemi, usare il seguente procedimento per correggerli.

- Accendere la stampante ed inserire un foglio di carta.
- Spegnerne la stampante.
- Tenendo premuti i tasti **FORWARD** e **REVERSE** della stampante, accendere la stampante per passare al modo di regolazione allineamento punti, indicato dal lampeggiamento dell'indicatore **POWER**.

Quando si passa al modo di regolazione allineamento punti sono stampati sette blocchi, ciascuno dei quali corrisponde ad un'impostazione di allineamento, come indicato sotto. Un asterisco a sinistra dei blocchi indica quale blocco è attualmente selezionato.

#### Dot Alignment Adjust Mode



- Usare **FORWARD** per specificare il blocco che sembra avere i caratteri allineati meglio. Premere **FORWARD** una volta per specificare il primo blocco, due volte per specificare il secondo e così via fino a sette volte per specificare il settimo blocco.

Viene emesso un segnale acustico di avvertimento se si preme **FORWARD** più di sette volte.

- Dopo aver specificato un blocco, premere **REVERSE** per registrare la selezione e uscire dal modo di regolazione allineamento punti.



## Errori

Esistono tre tipi di errori: errori recuperabili, che richiedono un'azione da parte dell'operatore prima di essere risolti; errori non recuperabili, che richiedono assistenza da parte di tecnici autorizzati; ed errori di ricezione dati. Gli errori sono indicati da un segnale acustico e dalle spie di indicazione.

### Errori recuperabili

Tipo di errore	Spie di indicazione			Rimedio
	POWER	RELEASE	PAPER OUT	
Inceppamento carta		Lampeggiant e		Correggere la causa del problema e quindi premere RELEASE.
Blocco motore carrello				
Segnale di posizione di base anomala				
Segnale di sincronizzazione anomalo				

### Errori non recuperabili

Tipo di errore	Spie di indicazione			Rimedio
	POWER	RELEASE	PAPER OUT	
Lettura/scrittura RAM	Spenta	Accesa	Accesa	Spegner la stampante, attendere alcuni minuti, quindi riaccenderla. Se l'errore non viene ripristinato dalla stampante, contattare il centro di assistenza tecnica più vicino.
Blocco CPU				

### Errore di ricezione dati

Questo tipo di errore viene causato ogni qual volta si verifica un problema durante la ricezione dei dati. Il metodo usato dalla stampante per ripristinare un errore di ricezione dati dipende dal modo comandi attivo.

Modo comandi	Procedimento di soluzione errore di ricezione dati
Modo Star	La stampante stampa un punto di domanda.
Modo ESC/POS	Interruttore di memoria 4-0=0: la stampante stampa un punto interrogativo. Interruttore di memoria 4-0=1: la stampante scarta i dati ricevuti.

## Sensori carta

Sono disponibili i seguenti sensori

Sensore TOF

Questo sensore di parte superiore modulo individua il bordo anteriore della carta. Quando è abilitato, il sensore TOF individua l'assenza di carta e ferma la stampa.

Sensore BOF

Questo sensore di parte inferiore modulo individua il bordo posteriore della carta. Quando è abilitato, il sensore BOF individua l'assenza di carta e ferma la stampa.

Quando il sensore TOF o BOF individua l'assenza di carta, la stampante ferma il motore dopo aver stampato da 0 ad un massimo di 2 righe ulteriori.

Il sensore BOF individua la condizione di carta assente ogni volta che la distanza tra il terminale #9 della testina di stampa e il bordo posteriore della carta diventa 38,1 mm o meno. Nel modo Star, questo attiva l'operazione di arresto della stampa, ma nel modo ESC/POS l'operazione di arresto della stampa non viene attivata finché la distanza tra il terminale #9 della testina di stampa e il bordo posteriore della carta non diventa 27,3 mm o meno.

Quando il morsetto automatico è abilitato con l'interruttore di memoria 5-1, l'operazione di morsetto automatico viene eseguita circa 0,7 secondi (valore originale nel modo Star; il valore iniziale nel modo ESC/POS è di circa 1 secondo) dopo che la presenza della carta è stata individuata dai sensori TOF e BOF, dopo una condizione di carta esaurita. La funzione di morsetto automatico non è influenzata dallo stato abilitato o disabilitato del sensore TOF o BOF.

La funzione di posizionamento parte superiore modulo è abilitata con l'interruttore di memoria 5-0. Anche se la funzione di morsetto automatico è disabilitata, il posizionamento parte superiore modulo automatico viene eseguito se la carta è sotto morsa quando inizia la stampa.

La spia PAPER OUT lampeggia per richiedere l'inserimento di carta quando i sensori individuano l'assenza di carta (quando un sensore abilitato da comando non individua alcuna carta) dopo che sono stati ricevuti dati dalla stampante. A questo punto l'utilizzatore inserisce carta e la stampa inizia dopo che il sensore ha individuato la presenza della carta.



## Chapter 3: Sommario dei comandi

Questa stampante supporta due diversi modi di comando: il modo Star e il modo ESC/POS.

Il modo Star emula i modelli precedenti di stampanti Star. Il modo ESC/POS emula la stampante slip Epson TM-295 o TM-290.

Questo capitolo fornisce tutti i comandi supportati dalla stampante.

### Importante!

Accedere alla seguente URL per la versione più recente di questo manuale e per aggiornamenti sui comandi supportati: [http://www.star-micronics.co.jp/service/sp\\_sup\\_e.htm](http://www.star-micronics.co.jp/service/sp_sup_e.htm)

### Comandi del modo Star

Le seguenti tabelle mostrano i comandi del modo Star supportati da questa stampante.

#### Selezione caratteri

Codici di controllo	Codici esadecimali	Funzione
<ESC> "R" <i>n</i>	1B 52 <i>n</i>	Seleziona il gruppo caratteri internazionali
<ESC> "/" "1" <ESC> "/" <1>	1B 2F 31 1B 2F 01	Seleziona lo zero barrato
<ESC> "/" "0" <ESC> "/" <0>	1B 2F 30 1B 2F 00	Seleziona lo zero normale
<ESC> <GS> "t" <i>n</i>	1B 1D 74 <i>n</i>	Seleziona la tabella codici carattere
<ESC> "M"	1B 4D	Seleziona il font 7 × 9 (mezzo punto)
<ESC> "P"	1B 50	Seleziona il font 5 × 9 (due impulsi per punto)
<ESC> "·"	1B 3A	Seleziona il font 5 × 9 (tre impulsi per punto)
<ESC> <SP> <i>n</i>	1B 20 <i>n</i>	Imposta la spaziatura dei caratteri
<SO>	0E	Imposta la stampa a doppia larghezza del carattere
<DC4>	14	Annulla la stampa a larghezza ingrandita del carattere

Codici di controllo	Codici esadecimali	Funzione
<ESC> "W" <i>n</i>	1B 57 <i>n</i>	Imposta il fattore d'ingrandimento per la larghezza del carattere
<ESC> "h" <i>n</i>	1B 68 <i>n</i>	Imposta il fattore d'ingrandimento per l'altezza del carattere
<ESC> " _ " "1" <ESC> " _ " <1>	1B 2D 31 1B 2D 01	Seleziona la sottolineatura
<ESC> " _ " "0" <ESC> " _ " <0>	1B 2D 30 1B 2D 00	Annulla la sottolineatura
<ESC> " _ " "1" <ESC> " _ " <1>	1B 5F 31 1B 5F 01	Seleziona la sopraelevatura
<ESC> " _ " "0" <ESC> " _ " <0>	1B 5F 30 1B 5F 00	Annulla la sopraelevatura
<ESC> "4"	1B 34	Seleziona la stampa evidenziata
<ESC> "5"	1B 35	Annulla la stampa evidenziata
<S>	0F	Seleziona la stampa invertita
<DC2>	12	Annulla la stampa invertita
<ESC> <RS> "i" "0" <ESC> <RS> "i" <0>	1B 1E 96 30 1B 1E 96 00	Disattiva il modo di stampa ruotata per il testo (default)
<ESC> <RS> "i" "1" <ESC> <RS> "i" <1>	1B 1E 96 31 1B 1E 96 01	Specifica il modo di stampa ruotata per il testo con una rotazione di 270°.
<ESC> <RS> "i" "2" <ESC> <RS> "i" <2>	1B 1E 96 32 1B 1E 96 02	Specifica il modo di stampa ruotata per il testo con una rotazione di 90°.
<ESC> "E"	1B 45	Seleziona la stampa enfaticata
<ESC> "F"	1B 46	Annulla la stampa enfaticata
<ESC> "U" <i>n</i>	1B 55 <i>n</i>	Seleziona la direzione di stampa

## Controllo della posizione di stampa

Codici di controllo	Codici esadecimali	Funzione
<LF>	0A	Avanzamento riga
<CR>	0D	Ritorno carrello
<ESC> "a" <i>n</i>	1B 61 <i>n</i>	Avanzamento carta di <i>n</i> righe
<HT>	09	Tabulazione orizzontale
<ESC> "A" <i>n</i>	1B 41 <i>n</i>	Definisce l'interlinea a <i>n</i> /72 di pollice
<ESC> "2"	1B 32	Imposta l'interlinea a <i>n</i> /72 di pollice
<ESC> "z" "0" <ESC> "z" <0>	1B 7A 30 1B 7A 00	Imposta l'interlinea a 1/12 di pollice
<ESC> "z" "1" <ESC> "z" <1>	1B 7A 31 1B 7A 01	Imposta l'interlinea a 1/6 di pollice
<ESC> "0"	1B 30	Imposta l'interlinea a 1/8 di pollice
<ESC> "1"	1B 31	Imposta l'interlinea a 7/72 di pollice
<ESC> "J" <i>n</i>	1B 4A <i>n</i>	Singolo avanzamento di <i>n</i> /72 di pollice
<ESC> "j" <i>n</i>	1B 6A <i>n</i>	Singolo arretramento di <i>n</i> /72 di pollice
<ESC> "3" <i>n</i>	1B 33 <i>n</i>	Imposta l'interlinea a circa <i>n</i> /216 di pollice
<ESC> "y" <i>n</i>	1B 79 <i>n</i>	Imposta l'interlinea a <i>n</i> /144 di pollice
<ESC> "D" <i>n1 n2 .. &lt;0&gt;</i>	1B 44 <i>n1 n2 ... 00</i>	Imposta arresti di tabulazione orizzontali
<ESC> "l" <i>n</i>	1B 6C <i>n</i>	Imposta il margine sinistro
<ESC> "Q" <i>n</i>	1B 51 <i>n</i>	Imposta il margine destro
<ESC> <GS> "a" "0" <ESC> <GS> "a" <0>	1B 1D 61 30 1B 1D 61 00	Giustificazione a sinistra (default)
<ESC> <GS> "a" "1" <ESC> <GS> "a" <1>	1B 1D 61 31 1B 1D 61 01	Centrata
<ESC> <GS> "a" "2" <ESC> <GS> "a" <2>	1B 1D 61 32 1B 1D 61 02	Giustificazione a destra

## Controllo grafica a punti

Codici di controllo	Codici esadecimali	Funzione
<ESC> "K" n <0> m1 m2 ...	1B 4B n 00 m1 m2 ...	Stampa la grafica a densità normale
<ESC> "L" n1 n2 m1 m2 ...	1B 4C n1 n2 m1 m2 ...	Stampa la grafica ad alta densità

## Stampa di grafica scaricata

Codici di controllo	Codici esadecimali	Funzione
<ESC> "&" <0> n1 n2 ..	1B 26 00 n1 n2 ..	Definisce i caratteri di scarico
<ESC> "% " "1" <ESC> "% " <1>	1B 25 31 1B 25 01	Abilita il gruppo caratteri di scarico
<ESC> "% " "0" <ESC> "% " <0>	1B 25 30 1B 25 00	Disabilita il gruppo caratteri di scarico

## Controllo dispositivo periferico

Codici di controllo	Codici esadecimali	Funzione
<ESC> <BEL> n1 n2	1B 26 00 n1 n2	Definisce l'ampiezza del segnale di attivazione del dispositivo periferico #1
<BEL>	07	Invia un segnale di controllo al dispositivo periferico #1
<FS>	1C	Invia subito un segnale di controllo al dispositivo periferico #1
<EM>	19	Invia subito un segnale di controllo al dispositivo periferico #2
<SUB>	1A	Invia subito un segnale di controllo al dispositivo periferico #2

## Controllo moduli

Codici di controllo	Codici esadecimali	Funzione
<ESC> <SI> <i>n</i>	1B 0F <i>n</i>	Impostazione sensore dello slip
<ESC> <FF> <i>n</i>	1B 0C <i>n</i>	Funzione di slip
<ESC> <VT> <i>m n</i>	1B 0B <i>m n</i>	Imposta la direzione/lunghezza dell'espulsione della carta
<ESC><EM> <i>mn</i> <LF><NUL>	1B 19 <i>n m</i> 0A 00	Imposta il tempo di attesa per l'attivazione del blocco automatico

## Modo di pagina

Codici di controllo	Codici esadecimali	Funzione
<ESC> "n"	1B 6E	Seleziona il modo pagina
<ESC> "l"	1B 21	Seleziona il modo riga
<ESC> "*" ...	1B 2A ...	Impostazione dell'area di stampa in modo pagina
<ESC> "T" <i>n</i>	1B 54 <i>n</i>	Impostazione della direzione di stampa in modo pagina
<FF>	0C	Stampa in modo pagina

## Altri comandi

Codici di controllo	Codici esadecimali	Funzione
<CAN>	18	Svuota il buffer di stampa e inizializza la stampante
<DC3>	13	Deseleziona la stampante
<DC1>	11	Imposta il modo di selezione
<RS>	1E	Fa emettere un segnale acustico al cicalino
<ESC> "#N, <i>n1</i> , <i>n2</i> , <i>n3</i> , <i>n4</i> " <LF> <NUL>	1B 23 N 2C <i>n1 n2</i> <i>n3 n4</i> 0A 00	Imposta l'interruttore di memoria
<ESC> "@"	1B 40	Inizializza la stampante
<EOT>	04	Trasmette lo stato EOT
<ENQ>	05	Trasmette lo stato ENQ
<ETB>	17	Conferma la fine della stampa
<ESC> <ACK> <SOH>	1B 06 01	Trasmette lo stato automatico

<b>Codici di controllo</b>	<b>Codici esadecimali</b>	<b>Funzione</b>
<ESC> <RS> "a" n	IB IE 61 n	Abilita/disabilita lo stato automatico
<ESC> "?" <LF> <NUL>	1B 3F 0A 00	Ripristino hardware della stampante ed esecuzione di una stampa di prova

## Comandi del modo ESC/POS (emulazione TM-295)

La seguente tabella elenca i comandi di emulazione TM-295 supportati da questa stampante.

Codici di controllo	Codici esadecimali	Funzione
<HT>	09	Tabulazione orizzontale
<LF>	0A	Avanzamento di riga
<FF>	0C	Espulsione carta in modo foglio singolo Stampa in modo pagina e ritorno
<DLE> <EOT>	10 04	Abilita l'invio di stato in tempo reale (solo interfaccia seriale)
<CAN>	18	Cancella i dati di stampa in modo pagina
<ESC> SP	1B 20	Imposta le dimensioni dello spazio a destra del carattere
<ESC> !	1B 21	Abilita il modo di stampa in gruppi
<ESC> #	1B 23	Imposta l'interruttore di memoria
<ESC> %	1B 25	Abilita/disabilita il gruppo di caratteri di scarico
<ESC> &	1B 26	Definisce il carattere di scarico
<ESC> *	1B 2A	Seleziona il modo di immagine di bit
<ESC> 2	1B 32	Seleziona l'interlinea da 1/6 di pollice
<ESC> 3	1B 33	Imposta l'interlinea a circa 7/60 di pollice *1
<ESC> =	1B 3D	Seleziona il dispositivo periferico
<ESC> @	1B 40	Inizializza la stampante
<ESC> C	1B 43	Imposta la lunghezza di espulsione per la stampa in fogli singoli
<ESC> D	1B 44	Imposta la posizione della tabulazione orizzontale
<ESC> F	1B 46	Abilita/disabilita la retrocessione per il modo fogli singoli
<ESC> J	1B 4A	Stampa e avanzamento carta di $n/60$ di pollice (valore approssimativo) *1
<ESC> K	1B 4B	Stampa e arretramento carta di $n/60$ di pollice (valore approssimativo) *1

\*1: Comandi di interlinea e spostamento carta di  $n/60$  di pollice:

Poiché il passo minimo di spostamento carta di questa stampante è 1/144 di pollice, il valore di  $n/60$  di pollice può essere considerato approssimativo. In ogni caso, il valore effettivo è  $\text{INT}((6n/5) + 0,5)/72$  pollici.

Codici di controllo	Codici esadecimali	Funzione
<ESC> L	1B 4C	Seleziona il modo pagina
<ESC> R	1B 52	Seleziona il gruppo caratteri internazionali
<ESC> T	1B 54	Seleziona la direzione per la stampa caratteri del modo pagina
<ESC> U	1B 55	Seleziona la direzione di stampa
<ESC> V	1B 56	Attiva/disattiva la rotazione di 90° del carattere
<ESC> W	1B 57	Seleziona l'area di stampa per la stampa del modo pagina
<ESC> a	1B 61	Allinea la posizione di stampa
<ESC> c3	1B 63 33	Seleziona il sensore carta per l'invio del segnale di assenza
<ESC> c4	1B 63 34	Seleziona il sensore di fine carta per l'arresto
<ESC> c5	1B 63 35	Abilita/disabilita gli interruttori del pannello comandi
<ESC> d	1B 64	Stampa o fa avanzare di $n$ righe
<ESC> e	1B 65	Stampa o fa retrocedere di $n$ righe
<ESC> f	1B 66	Imposta il tempo di attesa per foglio singolo
<ESC> p	1B 70	Genera l'impulso specificato
<ESC> q	1B 71	Rilascio
<ESC> t	1B 74	Seleziona la tabella codici carattere
<ESC> u	1B 75	Invia lo stato periferica (solo interfaccia seriale)
<ESC> v	1B 76	Invia lo stato sensore carta (solo interfaccia seriale)
<ESC> {	1B 7B	Abilita/disabilita la stampa invertita
<GS> l	1D 49	Invia l'identità stampante (solo interfaccia seriale)
<GS> a	1D 61	Abilita/disabilita l'invio automatico dello stato stampante (solo interfaccia seriale)
<GS> r	1D 72	Invia lo stato stampante (solo interfaccia seriale)

\*1: Comandi di interlinea e spostamento carta di  $n/60$  di pollice:

Poiché il passo minimo di spostamento carta di questa stampante è  $1/144$  di pollice, il valore di  $n/60$  di pollice può essere considerato approssimativo. In ogni caso, il valore effettivo è  $\text{INT}((6n/5) + 0,5)/72$  pollicini.



## Comandi del modo ESC/POS (emulazione TM-290)

La seguente tabella elenca i comandi di emulazione TM-290 supportati da questa stampante.

Codici di controllo	Codici esadecimali	Funzione
<HT>	09	Tabulazione orizzontale
<LF>	0A	Avanzamento di riga
<FF>	0C	Espulsione carta in modo foglio singolo
<ESC> SP	1B 20	Imposta le dimensioni dello spazio a destra del carattere
<ESC> !	1B 21	Abilita il modo di stampa in gruppi
<ESC> #	1B 23	Imposta l'interruttore di memoria
<ESC> *	1B 2A	Seleziona il modo di immagine di bit
<ESC> 2	1B 32	Seleziona l'interlinea da 1/6 di pollice
<ESC> 3	1B 33	Imposta l'interlinea a circa $n/60$ di pollice *1
<ESC> @	1B 40	Inizializza la stampante
<ESC> D	1B 44	Imposta la posizione della tabulazione orizzontale
<ESC> M	1B 4D	Seleziona il font 7 × 9
<ESC> P	1B 50	Seleziona il font 5 × 9

\*1: Comandi di interlinea e spostamento carta di  $n/60$  di pollice:

Poiché il passo minimo di spostamento carta di questa stampante è  $1/144$  di pollice, il valore di  $n/60$  di pollice può essere considerato approssimativo. In ogni caso, il valore effettivo è  $\text{INT}((6n/5) + 0,5)/72$  pollici.

Codici di controllo	Codici esadecimali	Funzione
<ESC> R	1B 52	Selezione il gruppo caratteri internazionali
<ESC> c3	1B 63 33	Slezionare il sensore carta per l'invio del segnale di assenza
<ESC> c4	1B 63 34	Selezionare il sensore di fine carta per l'arresto
<ESC> c5	1B 63 35	Abilita/disabilita gli interruttori del pannello comandi
<ESC> d	1B 64	Stampa o fa avanzare di <i>n</i> righe
<ESC> h	1B 68	Imposta/disattiva l'avanzamento riga inverso
<ESC> j	1B 6A	Seleziona la larghezza dei caratteri nel modo di stampa verticale
<ESC> q	1B 71	Rilascio
<ESC> t	1B 74	Seleziona la tabella codici carattere
<ESC> v <i>n</i>	1B 76 <i>n</i>	Invia lo stato sensore carta (solo interfaccia seriale)
<ESC> {	1B 7B	Abilita/disabilita la stampa invertita
<FS> J	1C 4A	Imposta il modo di stampa verticale
<FS> K	1C 4B	Disattiva il modo di stampa verticale
<FS> W	1C 57	Imposta/disattiva la stampa a doppia altezza, doppia larghezza

## Appendix A: Specifications

---

### General Specifications

Printing System	Serial impact dot-matrix
Number of Head Pins	9 wires
Printing Speed	3.1 lines/sec maximum
Number of Print Columns	42
Dot spacing	Horizontal: 0.30mm Vertical: 0.35mm
Paper Width	80mm to 182mm
Sensors	Paper out top-of-form, bottom-of-form sensors
Command Modes	Star mode ESC/POS mode (TM-295 emulation) ESC/POS mode (TM-290 emulation)
Interface	Serial (RS-232C standard) Parallel (centronics compatible)
Data Buffer	Star mode: 2 K bytes / 35 bytes ESC/POS mode: 512 bytes / 35 bytes
Reliability	Mechanism (MCBF): 2.5 million lines Printer head life: 70 million characters

---

### Operating Environment

Temperature	41°F to 104°F (5°C to 40°C)
Humidity	10% to 80% RH at 40°C (non-condensing)

---

### Storage Environment

Temperature	-4°F to 140°F (-20°C to 60°C)
Humidity	5% to 90% RH at 40°C (non-condensing)

---

### Ink Ribbon

Type	Cartridge cassette
Color	Black
Ribbon Material	Nylon # 66 denier
Life	1.5 million characters

---

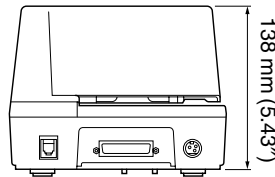
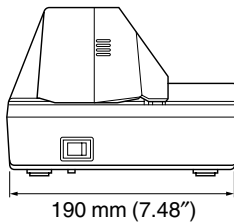
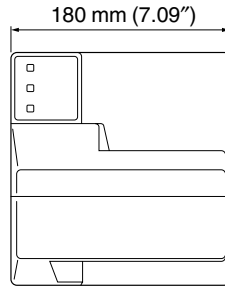
### Important!

*Use only the specified type of ribbon. Use of another type of ribbon can cause malfunction of and damage to the printer.*

---

**Dimensions and Weight**

Dimensions	180 (W) × 190 (D) × 138 (H) mm / 7.09" × 7.48" × 5.43"
Weight	2.1 kg / 4.6 lbs.

**Printing Specifications**

**Printing Width** 63mm

**Character Set**

Star Mode ASCII : 96 / Block Graphics : 64 / Special : 64 / Katakana : 64 / IBM Special : 64 / IBM Block Graphics : 50 / International : 11 / Slashed Zero / Code Page 858 / Code Page 852 / Code Page 860 / Code Page 861 / Code Page 863/ Code Page 865 / Code Page 866

ESC/POS Mode Page 0 (PC 437) / Page 1 (Katakana) / Page 2 (PC 858) / International / Slashed Zero

**Character Matrix**

Star Mode 7 × 9 (half), 42 columns  
5 × 9, 35 columns  
IBM block graphics are 12 dots high.

ESC/POS Mode 7 × 9 (half), 42 columns  
5 × 9, 35 columns

**Character Dimensions**

7 × 9 font (half): 1.2 (W) × 2.42 (H) mm  
5 × 9 font (2 pulses per dot): 1.5 (W) × 2.42 (H) mm  
5 × 9 font (3 pulses per dot): 2.1 (W) × 2.42 (H) mm

## Paper Specifications

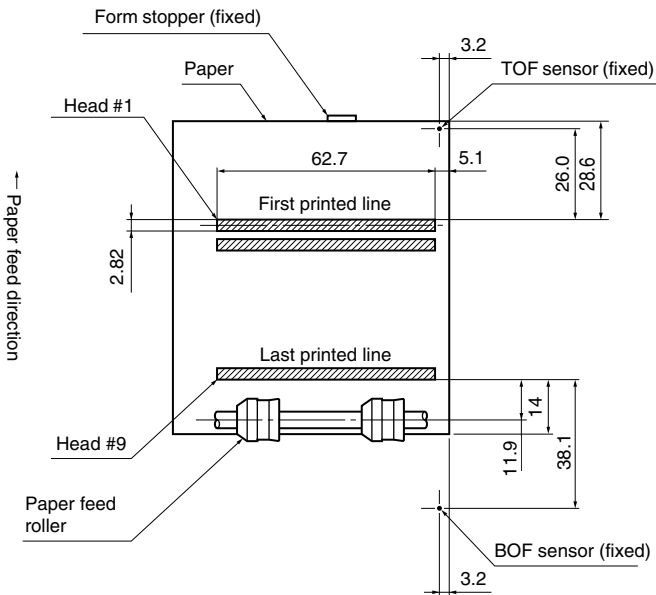
<b>Paper Width</b>	80 to 182mm / 3.15" to 7.17"
<b>Paper Length</b>	80 to 257mm / 3.15" to 10.8"
<b>Copies</b>	Original + 2
<b>Paper Thickness</b>	1-ply: 0.09 to 0.2mm / 0.0035" to 0.0079" Duplicates 0.12 mm (minimum for 2-ply forms) to 0.25 mm/0.0047" to 0.0098" <Maximum 0.2 mm when printing graphics>
<b>Copy Offset</b>	1.5mm maximum/15 lines (between top sheet and bottom sheet)
<b>Binding</b>	Top or left
<b>Print Area</b>	

Distance from first printed line (Head #1) to top of form (form stopper): 28.6 mm  
 Distance from first printed line (Head #1) to TOF sensor: 26.0 mm  
 (However, with the automatic start position operation, this distance is set to 26.5 mm.  
 The automatic start position operation can be enabled or disabled with the memory switches.

When the top-of-form sensor is disabled, a command can be used to perform a reverse paper feed enabling printing to begin at approximately 20 mm from the top of the paper.)  
 Distance from last printed line (Head #9) to bottom of form (BOF sensor): 38.1 mm  
 (With the ESC/POS mode, printing may continue to 27.3 mm from the bottom of the paper.)

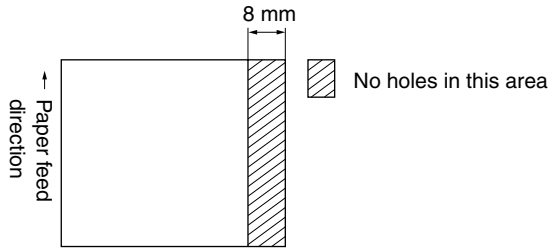
When the BOF sensor is disabled, printing can continue to 14.0 mm from the bottom of the paper.

Right margin: 5.1 mm  
 Print area width: 28.6 mm



Units: mm

---

**Print Position**


Do not use paper with perforations within the shaded area. Perforations may cause the paper sensor to erroneously report an out of paper condition.

---

**Paper Feed**

Drive	Stepping motor
Pitch	Star Mode: Adjustable in 1/144" units ESC/POS Mode: Adjustable in $n/60$ " units (approximate)
Speed (while printing)	3.5" per second
Speed (while ejecting)	4.5" per second

---

**Important!**

*Slip paper must be flat, smooth, and free of curls, bends, wrinkles and folds, all of which can cause jamming and soiling by ink.*

---

## ***Power Supply Specifications***

### **Power Supply**

AC Adaptor	PS60A-24 series, switching type
Input	90 to 264V AC, 50/60Hz
Output	24V DC $\pm$ 5%, 2.0A
Plug	3-pin POWER JACK TCP 8927 (Hoshiden brand or equivalent.)

### **Consumption Current**

	Conditions: 24V, excluding external equipment driving
Operating (approximate averages)	Continuous ASCII printing + paper feed: 0.6A Solid block printing + paper feed: 1.0A Solid block printing: 1.9A Peak (solid printing): 3.1A
Stand-by (approximate averages)	Paper release deactivated: 0.24 A Paper release activated: 0.07A

---

### ***Important!***

- *When using a printer power supply other than the optional AC adaptor (PS60A-24 series), be sure that the following cautions are observed.*
  - *Use a power supply of DC 24 V  $\pm$ 5% and more than 2.0 A.*
  - *Be careful about installing the printer in an area where there is noise. Take the appropriate measures to protect against electrostatic AC line noise, etc.*
  - *The optional cable set can be connected.*
-

## Appendix B: Making DIP Switch Settings

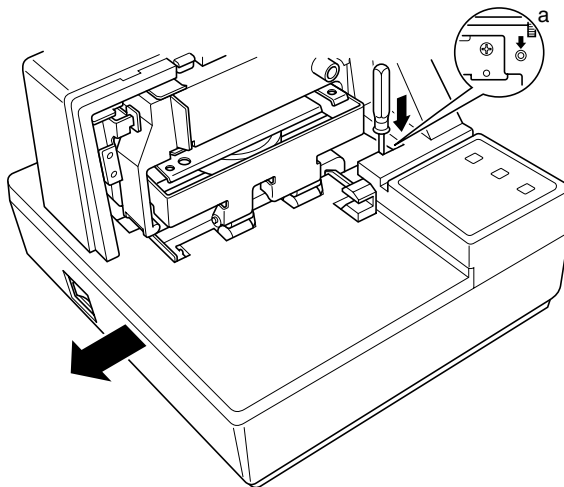
---

The printer's DIP switches let you specify communications parameters, receive buffer size, and emulation. This Appendix explains the settings you can make and tells you how to actually change DIP switch settings.

### Accessing the DIP switches

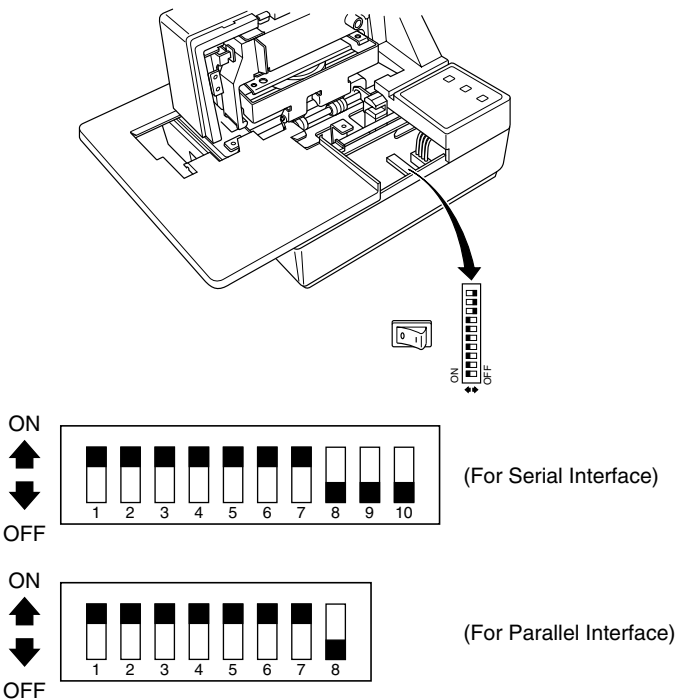
The DIP switches are located inside the printer, underneath the document table. Use the following procedure to remove the document table so you can operate the DIP switches.

- Make sure that the printer is turned off and unplugged from its wall outlet.
- Remove the printer cover.
- While using a screwdriver or other similar instrument to press down at the location marked (a) in the illustration below, carefully slide the document table in the direction indicated by the arrow until it is out of the way.





It is not necessary to remove the document table completely, just move it enough so you can get at the DIP switches inside.




---

**Note:**

*If the document table seems to be getting caught on the rollers, it means that you are not pressing down at point (a) enough. Pressing at point (a) should separate the rollers to the document table can slide freely.*

---

- After the document table is opened sufficiently, use a thin flat-blade screwdriver or some other similar object to change DIP switch settings.
- 

**Note:**

*See the following section for details on available DIP switch settings.*

---

- After making the settings you want, slide the document table back into place while pressing down at point (a). Make sure that the document table is correctly seated in place before releasing point (a).
- Replace the printer cover.

### Available DIP switch settings (Serial Interface)

The following table shows all the possible settings for the DIP switch. The factory default settings are ON for switches 1 through 7 and OFF for switches 8 through 10.

Switch	Parameter	ON	OFF
1	Baud Rate	See table below.	
2			
3	Data Length	8 bits	7 bits
4	Parity Check	Disabled	Enabled
5	Parity	Odd	Even
6	Handshake	DTR/DSR	XON/XOFF
7	Command Emulation	See table below.	
8			
9	Pin 6 (DSR) Reset Signal	Enabled	Disabled
10	Pin 25 (INIT) Reset Signal	Enabled	Disabled

Baud Rate	Switch 1	Switch 2
1200BPS	OFF	OFF
2400BPS	ON	OFF
4800BPS	OFF	ON
9600BPS	ON	ON

Command Emulation	Switch 7	Switch 8
Star mode	ON	ON
ESC/POS (TM-295)	ON	OFF
ESC/POS (TM-290)	OFF	OFF
Not used (*1)	OFF	ON

\*1: Never set switch 7 to OFF at the same time that switch 8 is set to ON.

### Available DIP switch settings (Parallel Interface)

The following table shows all the possible settings for the DIP switch. The factory default settings are ON for switches 1 through 7 and OFF for switch 8.

Switch	Parameter	ON	OFF
1	Reset input conditions or enable/disable conditions IEEE1284 reverse mode	See table below	
2			
3	Device ID reply	Invalid	Valid
4	Treatment of missing data during reverse mode	Store	Delete
5	Should not be changed	(Should be set on)	
6	Automatic status function *1	Invalid	Valid
7	Command emulation	See table below.	
8			

Switch 1	Switch 2	Reset input conditions *2	Enable/disable IEEE1284 reverse mode
ON	ON	#31 pin (nInit) "Low" input	Enable
ON	OFF	#31 pin (nInit) "Low" input and #36 pin (nSelectIn/1284 active) "Low" input	Enable
OFF	ON	Reset input disabled	Enable
OFF	OFF	#31 pin (nInit) "Low" input	Disable *3

Command Emulation	Switch 7	Switch 8
Star mode	ON	ON
ESC/POS (TM-295)	ON	OFF
ESC/POS (TM-290)	OFF	OFF
Not used (*4)	OFF	ON

#### \*1 Automatic status function

When valid, the status occurrence conditions are as follows.

Star mode: All status occurrences enabled.

ESC/POS mode: Online/offline factors only. (Same conditions as <GS>a 2).

- \*2 A reset can be performed with pin 31 on the interface by setting DIP switch 1 to ON (the factory default setting).  
In addition, when a reset can be performed with pin 31, setting DIP switch 2 to OFF sets up the unit to perform a reset when pin 31 and pin 36 are “LOW”.
- \*3 Disable if using #36 pin (nSelectIn/1284 Active) interface for functions other than IEEE1284.
- \*4 Never set switch 7 to OFF at the same time that switch 8 is set to ON.

## Appendix C: Memory Switch Settings

---

Each memory switch is a 16-bit word store in EEPROM. For details on the functions and settings of memory switches, see the separate *Programmer's Manual*.

The table below shows the factory settings for the memory switches.

Memory Switch	Hexadecimal Code
0	0000
1	0000
2	0000
3	0000
4	0000
5	0000

---

### **Warning!**

*Changing the memory switch settings can cause the printer to fail to operate correctly.*

---

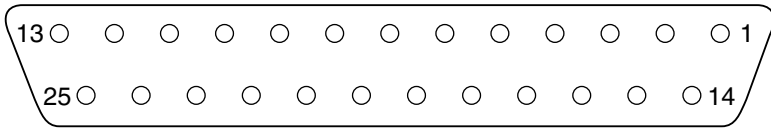
## Appendix D: Interface

### D-1. Serial Interface

#### Pins and Signal Names

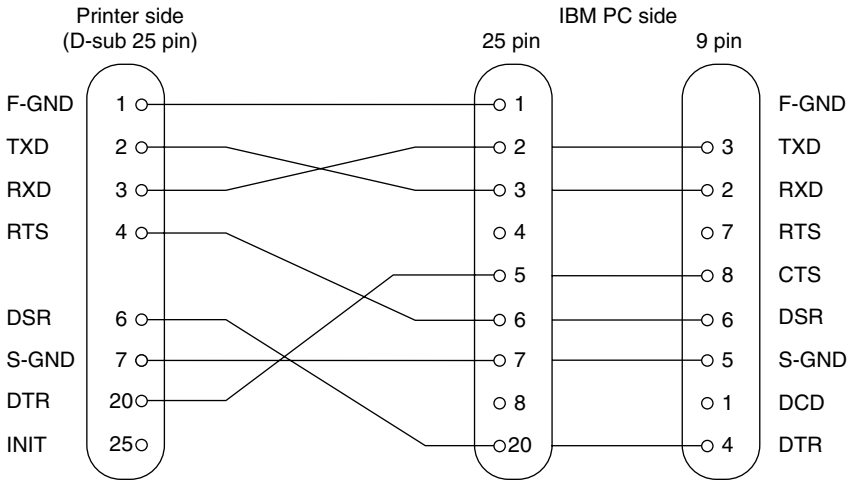
Pin No.	Signal Name	Direction	Function
1	FG	—	Frame ground
2	TXD	OUT	Transmission data
3	RXD	IN	Receive data
4	RTS	OUT	<p><b>STAR Mode</b> When Memory Switch 4-D = 0: Same as DTR signal When Memory Switch 4-D = 1: Always SPACE</p> <p><b>ESC/POS Mode</b> Same as DTR signal</p>
5	N.C.		Not connected
6	DSR	IN	<p>• <b>DIP Switch 9 = OFF</b> <b>STAR Mode</b> Status of this signal is not checked. <b>ESC/POS Mode</b> In DTR/DSR communication mode when Memory Switch4-5 = 0, indicates whether data receive from host is enabled or disabled. Space: Receive enabled Mark: Receive disabled This signal is not checked in the X-ON/X-OFF communication mode.</p> <p>• <b>DIP Switch 9 = ON</b> This signal used for external reset. Printer is reset whenever signal is in mark state with pulse width of 1mS or more.</p>
7	SG		Signal ground
8 -19	N.C.		Not connected
20	DTR	OUT	<p>Indicates whether data receive from host is enabled or disabled.</p> <p><b>DTR/DSR Communication Mode</b> Space when receive is enabled.</p> <p><b>X-On/X-Off Communication Mode</b> Always space, except during following conditions:</p> <ul style="list-style-type: none"> <li>• Period between reset and communication enabled</li> <li>• During self-test printing and dot alignment adjustment</li> </ul>
21 - 24	N.C.		Not connected

Pin No.	Signal Name	Direction	Function
25	INIT	IN	<ul style="list-style-type: none"> <li>• <b>DIP Switch 10 = OFF</b> This signal not used.</li> </ul>
			<ul style="list-style-type: none"> <li>• <b>DIP Switch 10 = ON</b> This signal becomes reset signal. Printer is reset whenever signal is in space state with pulse width of 1mS or more.</li> </ul>



### Interface Connections

Refer to the interface specifications of the host for details on connecting to its interface connector. The following illustration shows a typical connection configuration.



APPENDIX

## D-2. Parallel Interface

The two-way parallel interface is compatible with the IEEE1284 compatibility mode, nibble mode and byte mode. Refer to the separate programmer's manual for details.

### *Table of connection signals for each mode*

Pin No.	Direction	Compatibility Mode Signal Name	Nibble Mode Signal Name	Byte Mode Signal Name
1	In	nStrobe	HostClk	HostClk
2	In/Out	Data0	Data0	Data0
3	In/Out	Data1	Data1	Data1
4	In/Out	Data2	Data2	Data2
5	In/Out	Data3	Data3	Data3
6	In/Out	Data4	Data4	Data4
7	In/Out	Data5	Data5	Data5
8	In/Out	Data6	Data6	Data6
9	In/Out	Data7	Data7	Data7
10	Out	nAck	PtrClk	PtrClk
11	Out	Busy	PtrBusy/Data3,7	PtrBusy
12	Out	PError	AckDataReq/Data2,6	AckDataReq
13	Out	Select	Xflag/Data1,5	Xflag
14	In	nAutoFd	HostBusy	HostBusy
15		N/C	—	—
16		GND	GND	GND
17		Flame GND	Flame GND	Flame GND
18	OUT	Logic High	Logic High	Logic High
19		GND	GND	GND
20		GND	GND	GND
21		GND	GND	GND
22		GND	GND	GND
23		GND	GND	GND
24		GND	GND	GND
25		GND	GND	GND
26		GND	GND	GND
27		GND	GND	GND
28		GND	GND	GND
29		GND	GND	GND
30		GND	GND	GND



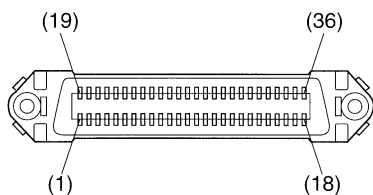
Pin No.	Direction	Compatibility Mode Signal Name	Nibble Mode Signal Name	Byte Mode Signal Name
31	In	nInit	nInit	nInit
32	Out	nFault	nDataAvail/Data0,4	nDataAvail
33		EXT GND	—	—
34	Out	Compulsion Status	—	—
35	Out	+5V	—	—
36	In	nSelectIn	1284Active	1284Active

- Note:**
- The prefix “n” on the signal name refers to low active signals. If the host does not have any one of the signal lines listed above, two-way communication fails.
  - For interfacing, signal lines should always use twisted pair cables with the return sides connected to the signal ground level.
  - Cautions when resetting the printer using the nInit signal (#31 pin). Reset can be made from #31 pin (nInit signal) of the interface when the DIP switch 1 is set to on. (Factory setting is on.) In addition, when reset has been enabled by #31 pin (nInit signal), it can be set to reset when the following conditions have been established: DIP switch 2 has been set to off, #36 pin (nSelectIn/1284 active signal) is low, and #31 pin (nInit signal) is low.
  - During factory output, IFEE 1284 printer device ID reply will be “Invalid.” To get the device ID, change DIP switch 6 to “OFF (Valid).”

**Function for compatibility mode**

Pin No.	Signal Name	IN/OUT	Function
1	nStrobe	IN	Signals when data is ready to be read. Signal goes from HIGH to LOW (for at least 0.5 microsec.) when the data is available.
2-9	Data0-7	IN	These signals provide the information of the first to eighth bits of parallel data. Each signal is at HIGH level for a logical 1 and at a LOW level for a logical 0.
10	nAck	OUT	A 9 microsecond LOW pulse acknowledges receipt of the data.
11	Busy	OUT	When this signal goes to LOW, the printer is ready to accept data. When the printer is in one of the conditions below, "HIGH" is set. 1. Data is being entered 2. Off line 3. Error condition
12	PError	OUT	This signal indicates the status of the paper sensor. [In Star mode] This signal goes to HIGH when either the TOF or the BOF sensor detects that there is no paper. The signal will go to LOW when both the TOF and BOF sensor detect that there is paper installed. [In the ESC/POS mode] This signal outputs the status of the sensor selected using the <ESC> "c3" command.
13	Select	OUT	This signal is HIGH when the printer is online.
14	nAutoFd	IN	Unused
15	N/C		Unused
16	GND		Signal ground
17	Flame GND		Chassis ground, isolated from logic ground
18	Logic High		3.9 k $\Omega$ pull-up
19-30	GND		Twisted pair return the signal to ground level.
31	nInit	IN	This becomes a reset signal when DIP switch 1 is set to ON. (See page 128 for details.) When this signal goes to LOW (for at least 0.5 microsec.), the printer is reset to its power-on condition.
32	nFault	OUT	This signal is normally HIGH. This signal goes to LOW to signal that the printer cannot print due to an error condition.
33	EXT GND		External ground

Pin No.	Signal Name	IN/OUT	Function
34	Compulsion Status	OUT	Compulsion signal (See page 138.)
35	+5V		2.2 k $\Omega$ pull-up
36	nSelectIn	IN	Unused (However, this becomes a reset signal when DIP switch 1 is set to ON and DIP switch 2 is set to OFF. See page 128 for details.)



This connector mates with an Amphenol 57-30360 connector

**Parallel interface connector (printer side)**

## Appendix E: Peripheral Unit Driver Circuit

This printer is equipped with a circuit for driving peripheral units, such as cash drawers. A 6-pin modular connector for connection of the peripheral unit is located on the back of the printer. To connect to the drive circuit, connect the peripheral unit to the modular connector using a cable supplied by you like that one shown in the figure below.

---

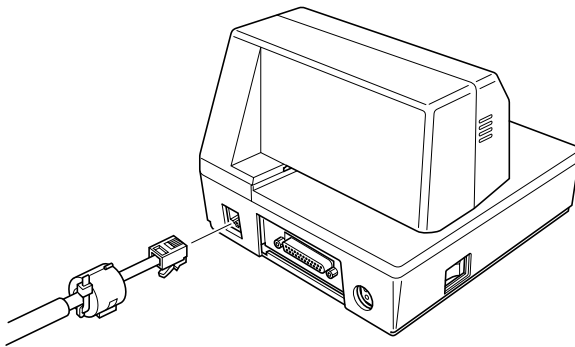
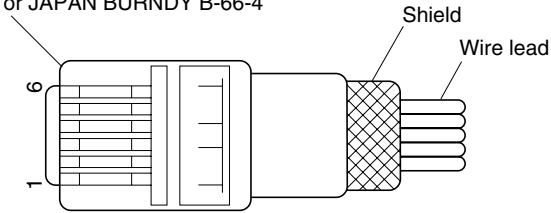
### Important!

*Never connect any other type of plug to the peripheral unit connector.*

---

### Modular plug

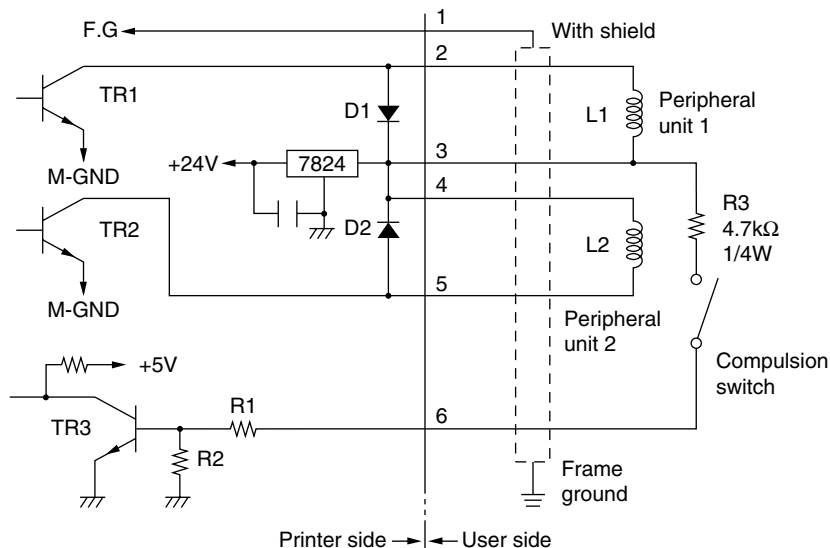
Modular plug: MOLEX 90075-0007,  
AMP641337, or JAPAN BURNDY B-66-4



## Drive circuit

The recommended drive unit is shown below.

Drive output: 24V, 1.0A max.



## Notes

- Peripheral Units 1 and 2 cannot be driven simultaneously.
- For continuous driving, do not use drive duty greater than 20%.
- The status of the compulsion switch can be known from the following.
  - Star mode : The status of the compulsion switch can be known by using the automatic status function or <ENQ> commands. In the case of ENQ status, bit 7 will be "1" when pin No. 6 of the peripheral unit drive circuit is high (switch on).
  - ESC/POS mode : The status of the compulsion switch can be known by using the automatic status function, <DLE><EOT>n, and <ESC>"u"n commands.
  - Parallel interface: The status of the compulsion switch can be known by pin No. 34 on the parallel interface connector. When the compulsion switch is on, pin No. 34 will be low. This can be checked by using the compatibility mode.
- Minimum resistance for coils L1 and L2 is 24Ω.

- Absolute maximum ratings for diodes D1 and D2 ( $T_a = 25^\circ\text{C}$ ) are:  
Average Rectified Current  $I_o = 1\text{A}$   
Maximum forward surge current (60Hz, 1-cycle sine wave)  $I_{FSM} = 40\text{A}$
- Absolute maximum rating for transistors TR1 and TR2 ( $T_a = 25^\circ\text{C}$ ) are:  
Collector current  $I_c = 2\text{A}$   
Collector loss  $P_c = 1.2\text{W}$

# WEEE Statement

**En**

In the European Union, this label indicates that this product should not be disposed of with household waste. It should be deposited at an appropriate facility to enable recovery and recycling in accordance with legislation under the WEEE Directive (Directive 2002/96/EC).

**Ge**

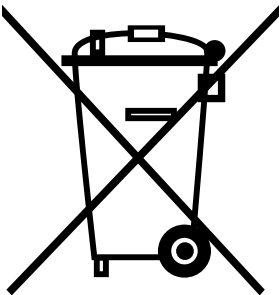
In der Europäischen Union dient dieses Symbol als Hinweis dieses Produkt nicht im normalen Hausmüll zu entsorgen. Die Entsorgung sollte als getrennte Sammlung über geeignete Einrichtungen/Sammelstellen zum Recycling nach WEEE-Vorschrift (EU-Richtlinie 2002/96/EC) erfolgen.

**Fr**

Dans l'union europeenne (U.E.), cette etiquette indique que ce produit ne doit pas etre jete avec les dechets menagers. Il doit etre depose dans un container approprie permettant la recuperation et le recyclage en accord avec les directives WEEE de la legislation europeennes (Directive 2002/96/EC).

**It**

Nell unione europea, la presente etichetta indica che il prodotto non deve essere gettato nei rifiuti, bensì riciclato attraverso gli appositi contenitori secondo la legislazione sotto la Direttiva WEEE (Direttiva 2002/96/EC).





**SPECIAL PRODUCTS DIVISION  
STAR MICRONICS CO., LTD.**

536 Nanatsushinya, Shimizu-ku, Shizuoka,  
424-0066 Japan

Tel: (int+81)-54-347-0112

Fax: (int+81)-54-347-0409

Please access the following URL  
<http://www.star-m.jp/eng/dl/dl02.htm>  
for the latest revision of the manual.

**OVERSEAS SUBSIDIARY COMPANIES**

**STAR MICRONICS AMERICA, INC.**

1150 King Georges Post Road, Edison, NJ 08837-3729 U.S.A.

Tel: (int+1)-732-623-5555, Fax: (int+1)-732-623-5590

**STAR MICRONICS EUROPE LTD.**

Star House, Peregrine Business Park, Gomm Road,  
High Wycombe, Bucks, HP13 7DL, U.K.

Tel: (int+44)-1494-471111, Fax: (int+44)-1494-473333

**STAR MICRONICS ASIA LTD.**

Rm. 1901-5, 19/F., Enterprise Square Two,  
3 Sheung Yuet Road, Kowloon Bay, Hong Kong

Tel : (int+852)-2796-2727, Fax : (int+852)-2799-9344



## Free Manuals Download Website

<http://myh66.com>

<http://usermanuals.us>

<http://www.somanuals.com>

<http://www.4manuals.cc>

<http://www.manual-lib.com>

<http://www.404manual.com>

<http://www.luxmanual.com>

<http://aubethermostatmanual.com>

Golf course search by state

<http://golfingnear.com>

Email search by domain

<http://emailbydomain.com>

Auto manuals search

<http://auto.somanuals.com>

TV manuals search

<http://tv.somanuals.com>