

THERMAL PRINTER

TSP552

***USERS MANUAL
MODE D'EMPLOI
BEDIENUNGSANLEITUNG
MANUALE DI ISTRUZIONI***



**Federal Communications Commission
Radio Frequency Interference
Statement**

This equipment has been tested and found to comply with the limits for a Class A digital device, pursuant to Part 15 of the FCC Rules. These limits are designed to provide reasonable protection against harmful interference when the equipment is operated in a commercial environment. This equipment generates, uses and can radiate radio frequency energy and, if not installed and used in accordance with the instruction manual, may cause harmful interference to radio communications. Operation of this equipment in a residential area is likely to cause harmful interference in which case the user will be required to correct the interference at his own expense.

For compliance with the Federal Noise Interference Standard, this equipment requires a shielded cable.

This statement will be applied only for the printers marketed in U.S.A.

**Statement of
The Canadian Department of Communications
Radio Interference Regulations**

This digital apparatus does not exceed the Class A limits for radio noise emissions from digital apparatus set out in the Radio Interference Regulations of the Canadian Department of Communications.

Le présent appareil numérique n'émet pas de bruits radioélectriques dépassant les limites applicables aux appareils numériques de la classe A prescrites dans le Règlement sur le brouillage radioélectrique édicté par le ministère des Communications du Canada.

The above statement applies only to printers marketed in Canada.

**CE
Manufacturer's Declaration of Conformity**

EC Council Directive 89/336/EEC of 3 May 1989

This product, has been designed and manufactured in accordance with the International Standards EN 50081-1/01.92 and EN 50082-1/01.92, following the provisions of the Electro Magnetic Compatibility Directive of the European Communities as of May 1989.

EC Council Directive 73/23/EEC and 93/68/EEC of 22 July 1993

This product, has been designed and manufactured in accordance with the International Standards EN 60950, following the provisions of the Low Voltage Directive of the European Communities as of July 1993.

The above statement applies only to printers marketed in EU.

Trademark acknowledgments

TSP552: Star Micronics Co., Ltd.

ESC/POS: Seiko Epson Corporation

Notice

- All rights reserved. Reproduction of any part of this manual in any form whatsoever, without STAR's express permission is forbidden.
- The contents of this manual are subject to change without notice.
- All efforts have been made to ensure the accuracy of the contents of this manual at the time of going to press. However, should any errors be detected, STAR would greatly appreciate being informed of them.
- The above notwithstanding, STAR can assume no responsibility for any errors in this manual.

© Copyright 1998 Star Micronics Co., LTD.

TABLE OF CONTENTS

1. Outline	1
2. Parts Identification and Nomenclature	2
3. Consumable Parts and AC Adapter	4
4. Connecting Cables and AC Adapter	5
4-1. Connecting the Interface Cable	5
4-2. Connecting the Peripheral Drive Cable	6
4-3. Connecting the optional AC Adapter	7
4-4. Turning Power On	8
5. Control Panel	9
5-1. PAPER FEED Switch	9
5-2. POWER LED	9
5-3. ERROR LED	9
6. Loading Paper	10
6-1. Loading New Roll Paper	10
6-2. Removing Remaining Paper	12
7. Command Summary	13
7-1. Star Mode	13
7-2. ESC/POS Mode	17
8. Preventing and Clearing Paper Jams	19
8-1. Preventing Paper Jams	19
8-2. Removing Paper Jam	19
9. Test Print Method	21
9-1. Producing a Test Print	21
9-2. Hexadecimal Dump	21
10. Periodical Cleaning	22
10-1. Cleaning the Thermal Head	22
10-2. Cleaning the Paper Holder	22
Appendix A: Specifications	95
A-1. General Specifications	95
A-2. Print Specifications	95
A-3. Interface	96
A-4. Power supply	96
A-5. Environmental requirements	96
A-6. Reliability	96
Appendix B: Dip Switch Setting	97

Appendix C: Interface	99
C-1. Interface Specifications	99
C-2. RS-232C Connector	100
C-3. Cable Connections	101
C-4. Peripheral Drive Connector	102
C-5. Power Connector	104
C-6. Electrical Characteristics	105

Please access the following URL

http://www.star-micronics.co.jp/service/sp_sup_e.htm

for the latest revision of the manual.

1. Outline

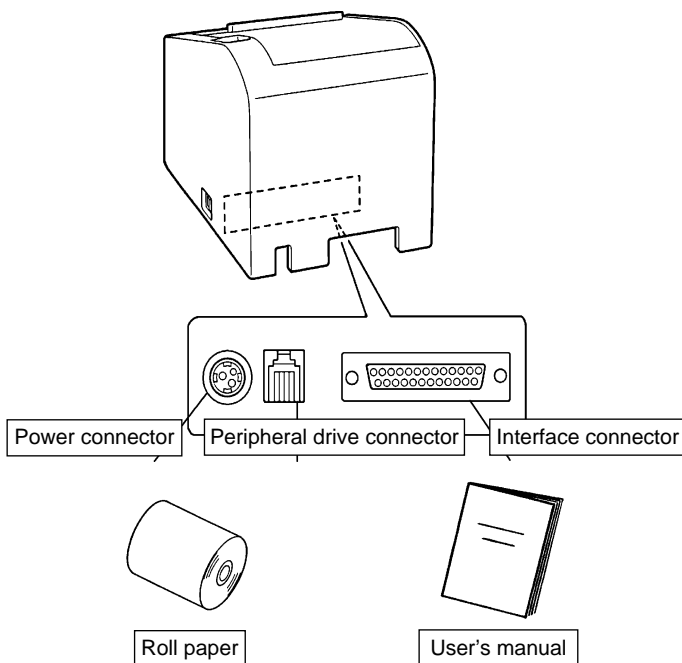
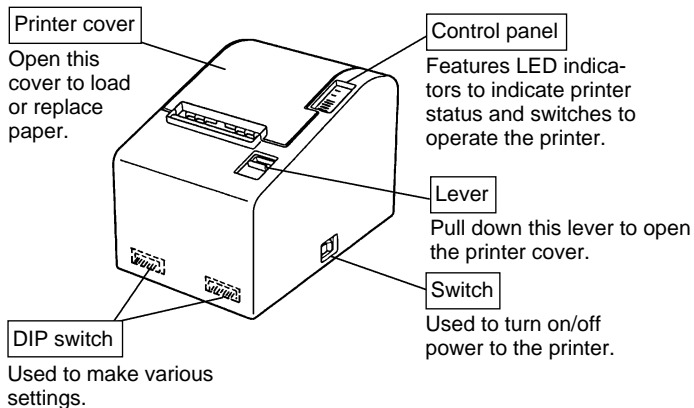
This manual explains how to use the thermal printer TSP552 and provides points to note for safe use and prevention of problems and malfunctions.

Before using the printer, please read this manual thoroughly to ensure its optimum use.

The major features of the printer are as follows:

1. Prints at high speed (max. 105 mm/sec, 28 lines per second when the line feed is set to 3.75 mm)
2. Quality print (8 dots/mm) thanks to the high-density line thermal print head.
3. Low noise due to line thermal technology.
4. Logo, coupon, and bar code printing is available.
5. Print density can be adjusted by DIP switches.
6. An auto cutter is provided as standard.
7. The built-in peripheral unit driver enables control of two peripheral units.
8. Considerable ease of paper loading thanks to the paper drop-in structure.
9. The paper drop-in structure makes maintenance easy.
10. The compact size requires only a small installation space.
11. Supports ESC/POS™ commands.

2. Parts Identification and Nomenclature



Choosing a place for the printer

Before actually unpacking the printer, you should take a few minutes to think about where you plan to use it. Remember the following points when doing this.

- ✓ Choose a firm, level surface where the printer will not be exposed to vibration.
- ✓ The power outlet you plan to connect to for power should be nearby and unobstructed.
- ✓ Make sure that the printer is close enough to your host computer for you to connect the two.
- ✓ Make sure that the printer is not exposed to direct sunlight.
- ✓ Make sure that the printer is well away from heaters and other sources of extreme heat.
- ✓ Make sure that the surrounding area is clean, dry, and free of dust.
- ✓ Make sure that the printer is connected to a reliable power outlet. It should not be on the same electric circuit as copiers, refrigerators, or other appliances that cause power spikes.
- ✓ Make sure that the room where you are using the printer is not too humid.

3. Consumable Parts and AC Adapter

When consumable parts have run out, use those specified in the table below. Make sure that the AC adapter specified in the table is used.

Use of consumable parts or AC adapter which are not specified in the table may result in damage to the printer, fire or electric shock.

Parts Name	Specifications
Roll paper	Thermal paper Width: $80.0_{-1.0}^0$ mm Outer roll diameter: $\phi 83$ mm or less Core outer diameter: $\phi 18^{+0.5}_0$ mm Core inner diameter: $\phi 12 \pm 0.5$ mm Recommended paper (Normal type paper) TF50KS-E2C (Nippon Paper Industries) PD-150R (Oji Paper Co., Ltd.) P220AG (Mitsubishi Paper Mills Limited) Recommended paper (High image stability paper) PD-160R (Oji Paper Co., Ltd.) HP220AB-1 (Mitsubishi Paper Mills Limited) HP220A (Mitsubishi Paper Mills Limited)
AC adapter (Option)	Input: 90 to 264 V AC Output: 24 V DC

Important!

Access the following URL for the information of the recommended paper. <http://www.star-micronics.co.jp/>

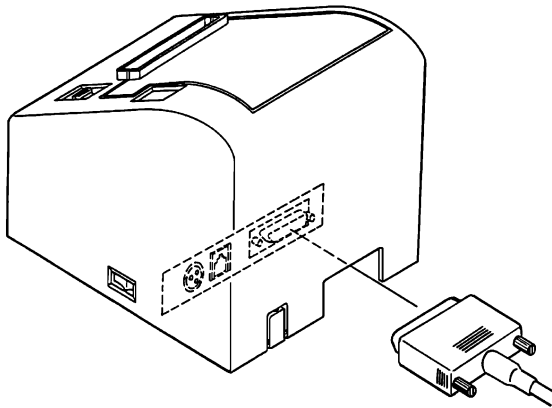
4. Connecting Cables and AC Adapter

4-1. Connecting the Interface Cable

Note: Before connecting/disconnecting the interface cable, make sure that power to the printer and all the devices connected to the printer is turned off. Also make sure the power cable plug is disconnected from the AC outlet.

- (1) Connect the interface cable to the connector on the rear panel of the printer.
- (2) Fasten the connector with screws.
- (3) Pass the interface cable through the hole provided at the bottom of the printer cover, then place the printer in position.

Note: Make sure that the interface cable is passed through the hole. Failure to do so may cause the cable to be squashed by the printer, resulting in damage to the cable.

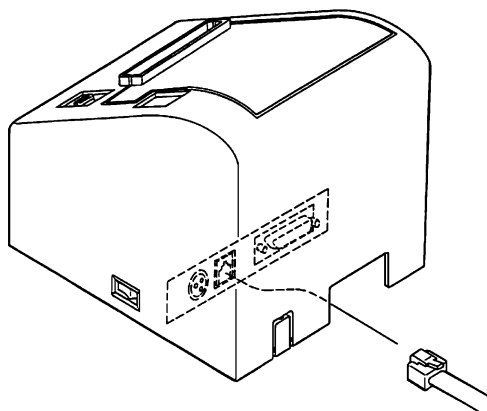


4-2. Connecting the Peripheral Drive Cable

Note: Before connecting/disconnecting the peripheral drive cable, make sure that power to the printer and all the devices connected to the printer is turned off. Also make sure the power cable plug is disconnected from the AC outlet.

(1) Connect the peripheral drive cable to the connector on the rear panel of the printer, and pass it through the cable hole provided at the bottom of the printer cover.

Note: Make sure that the peripheral drive cable is passed through the hole. Failure to do so may cause the cable to be squashed by the printer, resulting in damage to the cable.



4-3. Connecting the optional AC Adapter

Note: Before connecting/disconnecting the AC adapter, make sure that power to the printer and all the devices connected to the printer is turned off. Also make sure the power cable plug is disconnected from the AC outlet.

(1) Connect the AC adapter to the power cable.

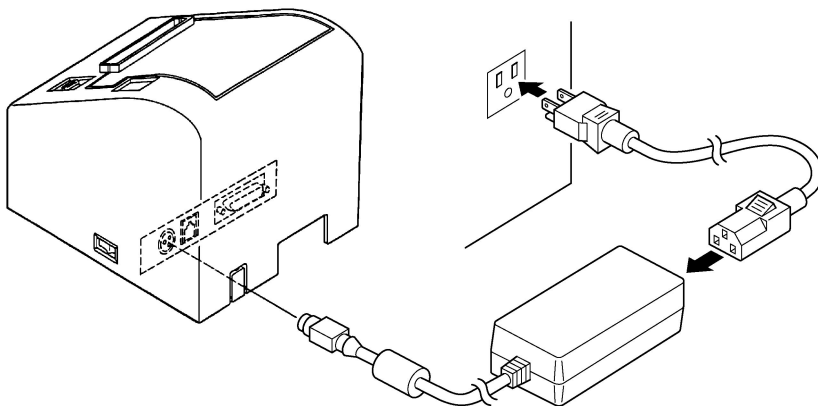
Note: Use only the standard AC adapter and power cable.

(2) Cut off the blank cable hole on the printer cover using nippers.

(3) Pass the AC adapter through the hole, and connect it to the connector on the printer.

Note: Make sure that the AC cable is passed through the hole. Failure to do so may cause the cable to be squashed by the printer, resulting in serious danger.

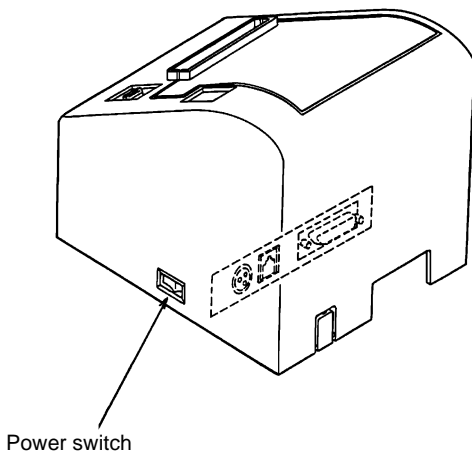
(4) Insert the power cable plug into an AC outlet.



4-4. Turning Power On

Make sure that the AC adapter has been connected as described in 4-3.

- (1) Set the power switch located on the side of the printer to on.
The POWER lamp on the control panel will light up.



Important!

We recommend that you unplug the printer from the power outlet whenever you do not plan to use it for long periods. Because of this, you should locate the printer so that the power outlet it is plugged into is nearby and easy to access.

5. Control Panel

5-1. PAPER FEED Switch

Each time this switch is pressed, the paper feeds on line. When it is kept depressed, the paper feeds continuously.

Note: This switch will be ineffective if no paper is loaded.

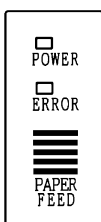
5-2. POWER LED

This LED lights up when the power switch is set to on and power is supplied to the printer.

5-3. ERROR LED

This LED lights up or blinks when any of the following errors occurs.

Error	LED
No paper (paper end) is detected.	Lights steadily.
Printer cover is open.	
Printing is interrupted due to excessively hot thermal head.	
Abnormal power	
Paper near end is detected.	Blinks.



6. Loading Paper

6-1. Loading New Roll Paper

(1) Set the power switch to off to turn off power to the printer.

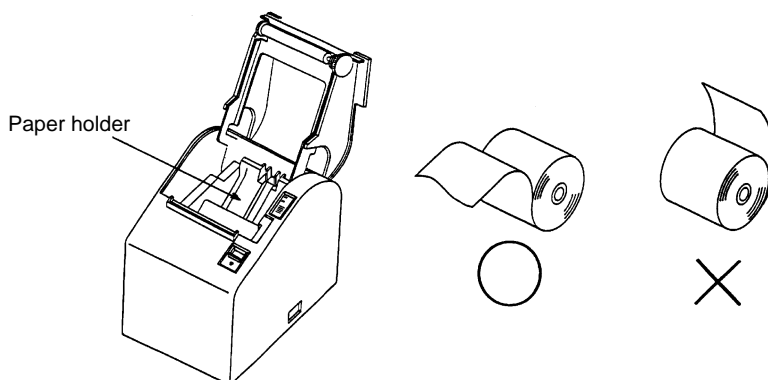
(2) Pull the lever toward you to open the printer cover.

Note: Make sure that the lever is pulled until it stops at the stopper. If the lever is not pulled up to the stopper, the printer cover may not open.

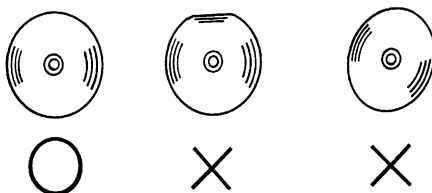
(3) Peel the adhesive end off the paper.

Note: Make sure that the entire adhesive area is removed, since no printing can be performed on that area.

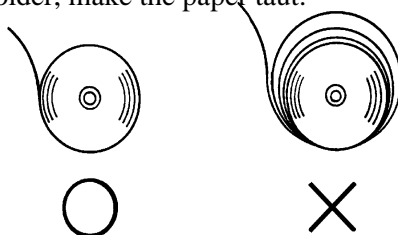
(4) Position the paper in the direction as shown below and place it into the paper holder gently.



Note 1: Make sure that the paper is not deformed. If a roll paper like those shown below is used, a malfunction may result.

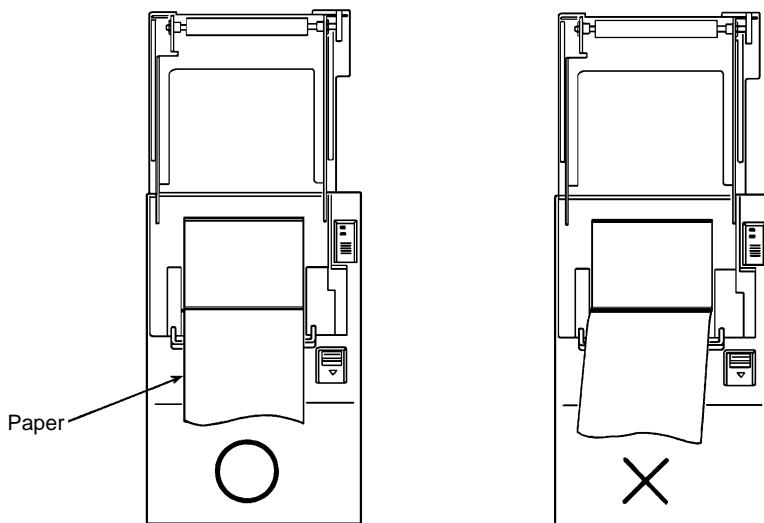


Note 2: If the paper sags as shown below after it has been loaded into the paper holder, make the paper taut.

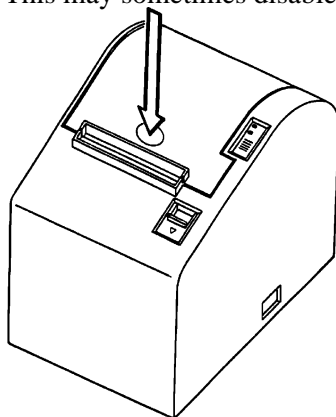


(5) Make sure that the paper is positioned straight, then close the printer cover gently.

Note 1: Make sure that the paper is positioned straight. If the printer cover is closed with the paper skewed as shown below, a paper jam may result.



Note 2: Lock the printer cover by pressing on the center of the cover (indicated by an arrow in the figure below). If any part of the cover other than the center is pressed, the cover may not be locked properly. This may sometimes disables printing.



(6) Set the power switch to on to turn on power to the printer. Make sure that the ERROR LED is not lit.

Note: While the ERROR LED is lit, the printer will not accept any commands such as the print command, so make sure that the printer cover is locked properly.

(7) Issue the cut command to cut off the end of the paper.

6-2. Removing Remaining Paper

(1) Set the power switch to off to turn off power to the printer.

(2) Pull the lever toward you to open the printer cover.

Note: Make sure that the lever is pulled until it stops at the stopper. If the lever is not pulled up to the stopper, the printer cover may not open.

(3) Remove the remaining paper.

7. Command Summary

This printer supports two different command modes: the Star mode and the ESC/POS mode.

This chapter provides you with all of the commands supported by this printer.

Important!

Access the following URL for the latest version of this manual and for updates on supported commands: http://www.star-micronics.co.jp/service/sp_sup_e.htm

7-1. Star Mode

Commands to Select Characters

Control codes	Hexadecimal codes	Function
<ESC> “R” <i>n</i>	1B 52 <i>n</i>	Select international character set
<ESC> <GS> <i>t n</i>	1B 1D <i>t n</i>	Select character table
<ESC> “/” “1” <ESC> “/” <1>	1B 2F 31 1B 2F 01	Select slash zero
<ESC> “/” “0” <ESC> “/” <0>	1B 2F 30 1B 2F 00	Select normal zero
<ESC> “b” <i>n1 n2 n3 n4</i> <i>d1 ... <RS></i>	1B 62 <i>n1 n2 n3 n4</i> <i>d1 ... 1E</i>	Select bar code printing
<ESC> “M”	1B 4D	Select 12-dot pitch printing
<ESC> “p”	1B 70	Select 14-dot pitch printing
<ESC> “P”	1B 50	Select 15-dot pitch printing
<ESC> “.”	1B 3A	Select 16-dot pitch printing
<ESC> <SP> <i>n</i>	1B 20 <i>n</i>	Set character spacing
<SO>	0E	Sets the printing magnified double in character width.
<DC4>	14	Resets the printing magnified in character width.
<ESC> “W” <i>n</i>	1B 57 <i>n</i>	Sets the magnification rate in character width.
<ESC> <SO>	1B 0E	Sets the printing magnified double in character height.
<ESC> <DC4>	1B 14	Resets the printing magnified in character height.
<ESC> “h” <i>n</i>	1B 68 <i>n</i>	Sets the magnification rate in character height.
<ESC> “_” “1” <ESC> “_” <1>	1B 2D 31 1B 2D 01	Select underlining

Control codes	Hexadecimal codes	Function
<ESC> “_” “0” <ESC> “_” <0>	1B 2D 30 1B 2D 00	Cancel underlining
<ESC> “_” “1” <ESC> “_” <1>	1B 5F 31 1B 5F 01	Select overlining
<ESC> “_” “0” <ESC> “_” <0>	1B 5F 30 1B 5F 00	Cancel overlining
<ESC> “4”	1B 34	Select highlight printing
<ESC> “5”	1B 35	Cancel highlight printing
<SI>	0F	Inverted printing
<DC2>	12	Cancel inverted printing
<ESC> “E”	1B 45	Select emphasized printing
<ESC> “F”	1B 46	Cancel emphasized printing

Commands to Set the Page Format

Control codes	Hexadecimal codes	Function
<ESC> “C” <i>n</i>	1B 43 <i>n</i>	Set page length in lines
<ESC> “C” <0> <i>n</i>	1B 43 00 <i>n</i>	Set page length in inches
<ESC> “N” <i>n</i>	1B 4E <i>n</i>	Set bottom margin
<ESC> “O”	1B 4F	Cancel bottom margin
<ESC> “I” <i>n</i>	1B 6C <i>n</i>	Set left margin
<ESC> “Q” <i>n</i>	1B 51 <i>n</i>	Set right margin

Commands to Move the Print Position

Control codes	Hexadecimal codes	Function
<LF>	0A	Line feed
<ESC> “a” <i>n</i>	1B 61 <i>n</i>	Feed paper <i>n</i> lines
<FF>	0C	Form feed
<HT>	09	Horizontal tab
<VT>	0B	Vertical tab
<ESC> “z” “1” <ESC> “z” <1>	1B 7A 31 1B 7A 01	Set line spacing to 4 mm
<ESC> “0”	1B 30	Set line spacing to 3 mm

Control codes	Hexadecimal codes	Function
<ESC> “J” <i>n</i>	1B 4A <i>n</i>	One time <i>n</i> /4 mm feed
<ESC> “I” <i>n</i>	1B 49 <i>n</i>	One time <i>n</i> /8 mm feed
<ESC> “B” <i>n1 n2 ... <0></i>	1B 42 <i>n1 n2 ... 00</i>	Set vertical tab stops
<ESC> “D” <i>n1 n2 ... <0></i>	1B 44 <i>n1 n2 ... 00</i>	Set horizontal tab stops
<ESC> <GS> “A” <i>n1 n2</i>	1B 1D 41 <i>n1 n2</i>	Absolute position setting
<ESC> <GS> “R” <i>n1 n2</i>	1B 1D 52 <i>n1 n2</i>	Relative position setting
<ESC> <GS> “a” <i>n</i>	1B 1D 61 <i>n</i>	Alignment

Commands to Print Dot Graphics

Control codes	Hexadecimal codes	Function
<ESC> “K” <i>n <0></i> <i>m1 m2 ...</i>	1B 4B <i>n 00 m1 m2</i> ...	Print normal density graphics
<ESC> “L” <i>n1 n2</i> <i>m1 m2 ...</i>	1B 4C <i>n1 n2 m1 m2</i> ...	Print high density graphics
<ESC> “k” <i>n <0> m1 ...</i>	1B 6B <i>n 00 m1 ...</i>	Print fine density graphics
<ESC> “X” <i>n1 n2</i>	1B 58 <i>n1 n2</i>	Print fine density graphics

Commands to Print Download Characters

Control codes	Hexadecimal codes	Function
<ESC> “&” “1” “1” <i>n m1 m2 ... m48</i>	1B 26 31 31 <i>n</i> <i>m1 m2 ... m48</i>	Define download character
<ESC> “&” <1> <1> <i>n m1 m2 ... m48</i>	1B 26 01 01 <i>n m1 m2 ... m48</i>	
<ESC> “&” “1” “0” <i>n</i>	1B 26 31 30 <i>n</i>	Delete a download character
<ESC> “&” <1> <0> <i>n</i>	1B 26 01 00 <i>n</i>	
<ESC> “%” “1” <ESC> “%” <1>	1B 25 31 1B 25 01	Enable download character set
<ESC> “%” “0” <ESC> “%” <0>	1B 25 30 1B 25 00	Disable download character set
<ESC> <GS> “*” <i>xy</i>	1B 1D 2A 78 79	Definition of download bit image
<ESC> <GS> “/” <i>m</i>	1B 1D 2F 6D	Printing of download bit image

Commands to Control Peripheral Devices

Control codes	Hexadecimal codes	Function
<ESC> <BEL> <i>n1 n2</i>	1B 07 <i>n1 n2</i>	Define drive pulse width for peripheral device #1
<BEL>	07	Control peripheral device #1
<FS>	1C	Control peripheral device #1 immediately
	19	Control peripheral device #2 immediately
<SUB>	1A	Control peripheral device #2 immediately

Commands to Control Auto Cutter

Control codes	Hexadecimal codes	Function
<ESC> “d” <i>n</i>	1B 64 <i>n</i>	Partial-cut command to the auto cutter

Other Commands

Control codes	Hexadecimal codes	Function
<CAN>	18	Cancel last line & Initialize printer immediately
<DC3>	13	Deselect printer
<DC1>	11	Set select mode
<RS>	1E	Beep the buzzer
<ESC> “@”	1B 40	Initialize printer
<ENQ>	05	Enquiry(Status inquiry)
<EOT>	04	Near end status inquiry
<ESC> “?” <LF> <NUL>	1B 3F 0A 00	Reset printer hardware (Perform test print)
<ESC> “8” <i>n1 n2</i>	1B 38 <i>n1 n2</i>	Registers a logo pattern
<ESC> “9” <i>n1 n2</i>	1B 39 <i>n1 n2</i>	Prints a logo pattern

7-2. ESC/POS Mode

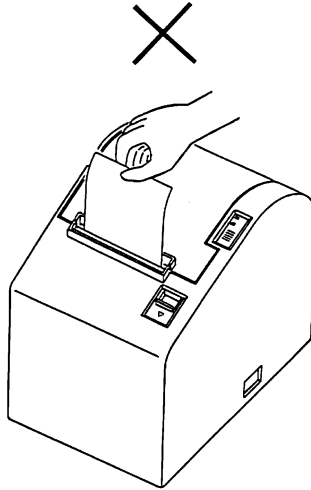
Control Code	Hexadecimal Code	Function
HT	09	Horizontal tab
LF	0A	Print line feed
CR	0D	Carriage return
FF	0C	Page mode print and return
DLE EOT	10 04	Real time transmission of status
DLE ENQ	10 05	Real time request to printer
CAN	18	Cancel print data in page mode
ESC FF	1B FF	Print page mode data
ESC SP	1B 20	Set right space amount of character
ESC !	1B 21	Universal print mode designation
ESC #	1B 23	Set memory switch
ESC \$ <i>nL nH</i>	1B 24 <i>nL nH</i>	Designate absolute printing
ESC %	1B 25	Designate/cancel download character set
ESC &	1B 26	Define download characters
ESC *	1B 2A	Designate bit image mode
ESC -	1B 2D	Designate/cancel underline
ESC 2	1B 32	Set 1/6 inch line feed amount
ESC 3	1B 33	Set line feed amount
ESC =	1B 3D	Select peripheral equipment
ESC ?	1B 3F	Delete download characters
ESC @	1B 40	Initialize printer
ESC D	1B 44	Set horizontal tab position
ESC E	1B 45	Designate/cancel emphasized print
ESC G	1B 47	Designate/cancel double print
ESC J	1B 4A	Print and paper feed
ESC L	1B 4C	Select page mode
ESC R	1B 52	Select international characters
ESC S	1B 53	Select standard mode
ESC T	1B 54	Select character print direction in print mode
ESC V	1B 56	Designate/cancel 90° character rotation
ESC W	1B 57	Set print range in page mode
ESC \	1B 5C	Designate relative position
ESC a	1B 61	Align position
ESC c3	1B 63 33	Select no-paper detector for output of no-paper signal
ESC c4	1B 63 34	Select no valid paper detector at print stop
ESC c5	1B 63 35	Enable/disable panel switch
ESC d	1B 64	Print and paper feed "n" lines
ESC p	1B 70	Designate pulse generation
ESC t	1B 74	Select character code table

Control Code	Hexadecimal Code	Function
ESC {	1B 7B	Designate/cancel inverted printing
ESC ¥ <i>nL nH</i>	1B 9F <i>nL nH</i>	Designate relative printing
FS <i>p n m</i>	1C 70 <i>n m</i>	Print NV bit image
FS <i>q n</i>	1C 71	Define NV bit image
GS !	1D 21	Designate character size
GS \$	1D 24	Designate absolute position of vertical direction of characters in page mode
GS *	1D 2A	Define download bit image
GS /	1D 2F	Print download bit image
GS :	1D 3A	Start/finish macro definition
GS B	1D 42	Designate/cancel reverse printing
GS E <i>n</i>	1D 45 <i>n</i>	Select print speed and head energizing time
GS H	1D 48	Select print position of HRI characters
GS I	1D 49	Printer ID transmission
GS L	1D 4C	Set left margin
GS P	1D 50	Set basic calculated pitch
GS V	1D 56	Paper cut
GS W	1D 57	Set print range
GS \	1D 5C	Designate the relative position of vertical characters when printing in the page mode
GS ^	1D 5E	Execute macro
GS a	1D 61	Enable/disable automatic status transmission
Gs <i>b n</i>	1D 62 <i>n</i>	Smoothing setting/cancel
GS f	1D 66	Select HRI character font
GS h	1D 68	Set bar code height
GS k	1D 6B	Printing of bar code
GS r	1D 72	Transmission of status
GS w	1D 77	Set lateral size of bar code

8. Preventing and Clearing Paper Jams

8-1. Preventing Paper Jams

The paper should not be touched during ejection and before it is cut. Pressing or pulling the paper during ejection may cause a paper jam, paper cutting failure or line feed failure.



8-2. Removing Paper Jam

If a paper jam occurs, clear it as described below.

(1) Set the power switch to off to turn off power to the printer.

(2) Pull the lever toward you to open the printer cover.

Note: Make sure that the lever is pulled until it stops at the stopper. If the lever is not pulled up to the stopper, the printer cover may not open.

(3) Remove the jammed paper.

Note: Take care not to damage the printer when removing the jammed paper. Since it is easy to damage the thermal head in particular, take care not to touch it.

- (4) Position the roll paper straight and close the printer cover gently.
- Note 1:** Make sure that the paper is positioned straight. If the printer cover is closed with the paper skewed, a paper jam may result.
- Note 2:** Lock the printer cover by pressing on the center of the cover. If any part of the cover other than the center is pressed, the cover may not be locked properly. This may sometimes disable printing.
- (5) Set the power switch to on to turn on power to the printer. Make sure that the ERROR LED is not lit.
- Note:** While the ERROR LED is lit, the printer will not accept any commands such as the print command, so make sure that the printer cover is locked properly.

9. Test Print Method

9-1. Producing a Test Print

To start test print, set the power switch to off, set the paper in place, then set the power switch to on while holding down the FEED switch.

When a certain amount of printing is performed, the printer will cut the paper and stop automatically.

An Example of Test Printout

```

ROM version   TS5 1.4

DIP Switch
SW1  12345678      SW2  12345678
ON   ON           ON   **
OFF  *****     OFF  **** **

SW1 1 = Comm. error : Print "?"
    2 = Buffer Size  : 4k bytes
    3 = Handshake   : DTR
    4 = Data Bits   : 8 bits
    5-6 = Parity    : None
    7-8 = Baud Rate : 19200 bps

SW2 1 = Busy Condition : All
    2 = <FF>           : Feed & Cut
    3-4 = Print Density : Level 4
    5 = Emulation      : Star
    7 = #6 pin reset   : Invalid
    8 = #25 pin reset  : Invalid

! " # $ % & ' ( ) * + , - . / 0 1 2 3 4 5 6 7
8 9 : ; < = > ? @ A B C D E F G H I J K L M N O
P Q R S T U V W X Y Z [ \ ] ^ _ ` a b c d e f g
h i j k l m n o p q r s t u v w x y z { | } ~ *

```

9-2. Hexadecimal Dump

Open the printer cover and set the power switch to on while holding down the FEED switch. After closing the printer cover, printer output will be in hexadecimal format.

The received data is printed as follows.

```

--- HEX DUMP PRINTING ---

000000 20 21 22 23 24 25 26 27  !"#$%&'
000008 28 29 2A 2B 2C 2D 2E 2F  ()*+,.-./
000010 30 31 32 33 34 35 36 37  01234567
      {-----}
Address   Hexadecimal data   ASCII data

```

10. Periodical Cleaning

Printed characters may become partially unclear due to accumulated paper dust and dirt. To prevent such a problem, paper dust collected in the paper holder and paper transport section and on the surface of the thermal head must be removed periodically. Such cleaning is recommended to be carried out once a month.

10-1. Cleaning the Thermal Head

To remove blackish dust collected on the surface of the thermal head, wipe it with alcohol (IPA).

Note: The thermal head is easy to damage, so clean it gently with a soft cloth. Take sufficient care not to scratch it when cleaning it.

10-2. Cleaning the Paper Holder

Use a soft cloth to remove paper dust from the paper holder and paper transport section.

TABLE DES MATIERES

1. Description de l'appareil	25
2. Identification des pièces et nomenclature	26
3. Consommables et adaptateur secteur	28
4. Câbles de connexion et adaptateur secteur	29
4-1. Connexion du câble d'interface	29
4-2. Connexion du câble de pilote de périphérique	30
4-3. Connexion de l'adaptateur secteur optionnel	31
4-4. Mise sous tension de l'imprimante	32
5. Panneau des commandes	33
5-1. Touche d'avance de papier PAPER FEED	33
5-2. DEL d'alimentation POWER	33
5-3. DEL d'erreur ERROR	33
6. Chargement du papier	34
6-1. Chargement d'un rouleau de papier neuf	34
6-2. Retrait du papier	36
7. Resume des commandes	37
7-1. Mode Star	37
7-2. Mode ESC/POS	41
8. Prévention et correction de bourrages de papier	43
8-1. Prévention des bourrages de papier	43
8-2. Correction de bourrages de papier	43
9. Test d'impression	45
9-1. Exécution d'un test d'impression	45
9-2. Vidage hexadécimal	45
10. Nettoyage	46
10-1. Nettoyage de la tête d'impression	46
10-2. Nettoyage du support de papier	46
APPENDICE	95

L'appendice n'est pas traduit.

Pour obtenir la dernière version de ce manuel, consultez l'adresse URL suivante:
http://www.star-micronics.co.jp/service/sp_sup_e.htm.

1. Description de l'appareil

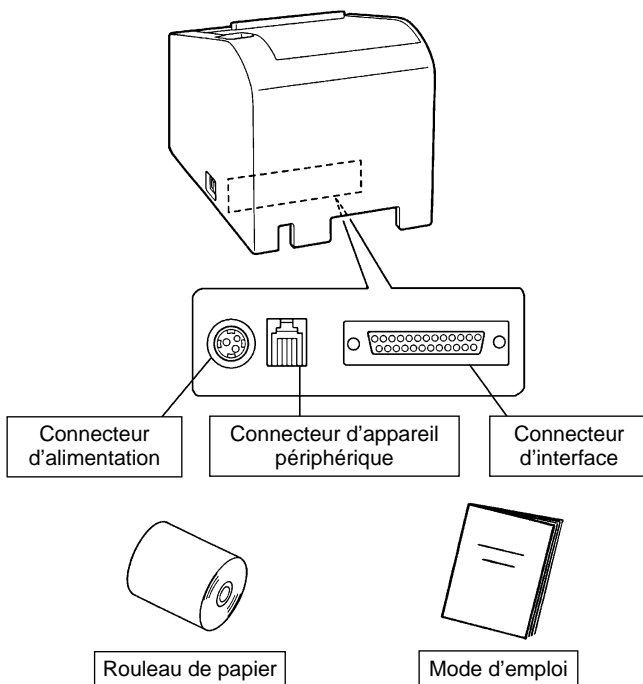
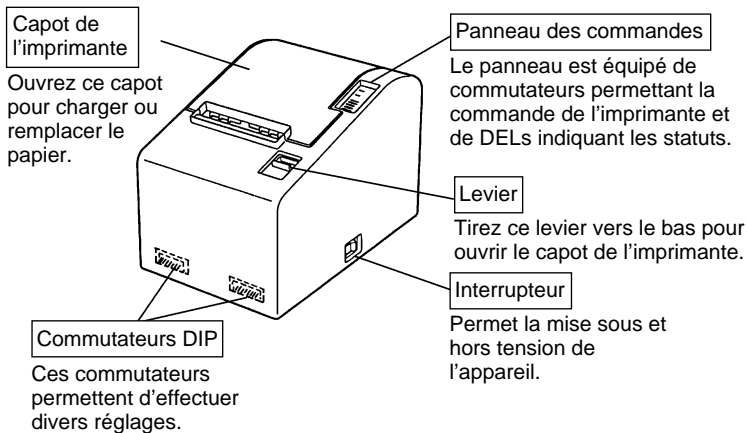
Ce manuel fournit les explications nécessaires à l'utilisation optimale de l'imprimante thermique TSP552 et signale les points importants à respecter afin de garantir son utilisation en toute sécurité et de prévenir les problèmes et les pannes.

Veillez lire attentivement ce manuel dans son intégralité avant d'utiliser l'imprimante.

Caractéristiques principales de l'imprimante :

1. Vitesse d'impression élevée (105 mm/sec, 28 lignes par sec, interligne réglé sur 3,75 mm)
2. Excellente qualité d'impression (8 points/mm), grâce à sa tête d'impression thermique de haute densité
3. Technologie thermique par ligne réduisant considérablement la production de bruit
4. Impression de logo, de coupon et de code à barres disponible.
5. Densité d'impression réglable par les commutateurs DIP
6. Coupe-papier automatique faisant partie de l'équipement standard
7. Pilote incorporé permettant la commande de deux appareils périphériques
8. Système d'insertion du papier permettant le chargement extrêmement aisé du papier
9. Système d'insertion du papier facilitant l'entretien.
10. Encombrement réduit de par la compacité de l'appareil
11. Commandes du mode ESC/POS™

2. Identification des pièces et nomenclature



Emplacement de l'imprimante

Avant de déballer l'imprimante, déterminez l'emplacement où vous souhaitez l'installer. Veuillez observer les points ci-dessous lors de votre choix.

- ✓ Choisissez une surface stable et de niveau sur laquelle l'imprimante ne sera exposée à aucune vibration.
- ✓ Assurez-vous que l'emplacement dispose d'une prise secteur proche et d'accès aisé.
- ✓ Assurez-vous que la distance entre l'imprimante et l'ordinateur-hôte vous permet de les raccorder aisément.
- ✓ Assurez-vous que l'imprimante n'est pas exposée directement aux rayons du soleil.
- ✓ Tenez l'imprimante à l'écart des sources de chaleur importante, telles que les appareils de chauffage, etc.
- ✓ Assurez-vous que le lieu où vous souhaitez installer l'imprimante est propre, sec et n'est pas poussiéreux.
- ✓ Assurez-vous que la prise secteur à laquelle vous raccordez l'imprimante délivre une tension stable. Evitez de raccorder l'imprimante à la prise secteur d'un circuit alimentant de gros consommateurs de courant, tels qu'un photocopieur, réfrigérateur, etc.
- ✓ Assurez-vous que le lieu où vous installez l'imprimante n'est pas excessivement humide.

3. Consommables et adaptateur secteur

Il convient d'utiliser exclusivement les types de papier figurant dans le tableau ci-dessous. Veuillez également à utiliser l'adaptateur secteur qui figure dans le tableau.

L'utilisation d'un type de papier et d'adaptateur ne figurant pas dans le tableau risque d'endommager l'imprimante, de causer un incendie ou une décharge électrique.

Nom de pièce	Caractéristiques
Rouleau de papier	Papier thermique Largeur: $80 \begin{smallmatrix} 0 \\ -1,0 \end{smallmatrix}$ mm Diamètre extérieur du rouleau : $\varnothing 83$ mm ou moins Diamètre extérieur du support de rouleau : $\varnothing 18 \begin{smallmatrix} +0,5 \\ 0 \end{smallmatrix}$ mm Diamètre intérieur du support de rouleau : $\varnothing 12 \pm 0,5$ mm Papier conseillé (pour impression thermique normale) TF50KS-E2C (Nippon Paper Industries) PD-150R (Oji Paper Co., Ltd.) P220AG (Mitsubishi Paper Mills Limited) Papier conseillé (pour stockage de longue durée) PD-160R (Oji Paper Co., Ltd.) HP220AB-1 (Mitsubishi Paper Mills Limited) HP220A (Mitsubishi Paper Mills Limited)
Adaptateur secteur (optionnel)	Entrée: 90 à 264 V CA Sortie: 24 V CC

Attention!

Pour obtenir des informations concernant le papier recommandé, consultez l'adresse URL suivante : <http://www.star-micronics.co.jp/>.

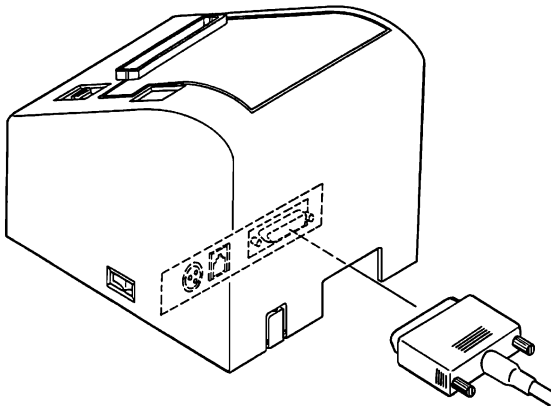
4. Câbles de connexion et adaptateur secteur

4-1. Connexion du câble d'interface

Remarque: Avant de connecter ou déconnecter le câble d'interface, veillez à ce que l'imprimante et tous les appareils qui y sont connectés soient hors tension. Veillez également à débrancher le câble d'alimentation de la prise secteur.

- (1) Connectez le câble d'interface à la borne figurant sur le panneau arrière de l'imprimante.
- (2) Attachez le connecteur à l'aide de vis.
- (3) Faites passer le câble d'interface par l'orifice figurant au fond du capot de l'imprimante, puis mettez l'imprimante en place.

Remarque: Il faut bien veiller à faire passer le câble d'interface par l'orifice; sinon, celui-ci risque d'être pincé par l'appareil et, par conséquent, d'être endommagé.

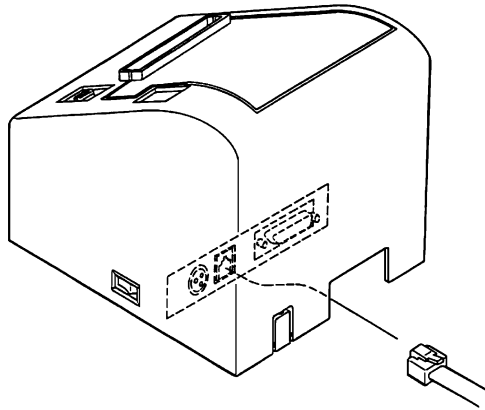


4-2. Connexion du câble de pilote de périphérique

Remarque: Avant de connecter ou déconnecter le câble du pilote de périphérique, veillez à ce que l'imprimante et tous les appareils qui y sont connectés soient hors tension. Veillez également à débrancher le câble d'alimentation de la prise secteur.

- (1) Connectez le câble de pilote de périphérique à la borne figurant sur le panneau arrière de l'imprimante, puis faites le passer par l'orifice figurant au fond du capot de l'imprimante.

Remarque: Il faut bien veiller à faire passer le câble du pilote de périphérique par l'orifice ; sinon, celui-ci risque d'être pincé par l'appareil et, par conséquent, d'être endommagé.



4-3. Connexion de l'adaptateur secteur optionnel

Remarque: Avant de connecter ou déconnecter l'adaptateur secteur, veillez à ce que l'imprimante et tous les appareils qui y sont connectés soient hors tension. Veillez également à débrancher le câble d'alimentation de la prise secteur.

(1) Connectez l'adaptateur secteur au câble d'alimentation.

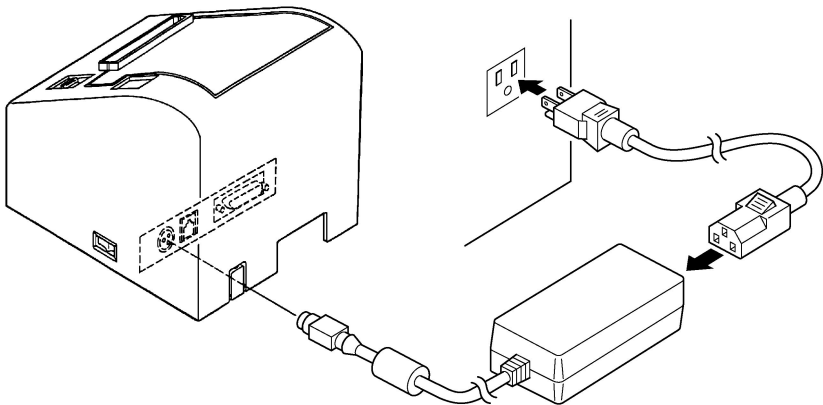
Remarque: Utilisez exclusivement l'adaptateur secteur et le câble d'alimentation destinés à l'imprimante.

(2) Retirez le cache de l'orifice du câble à l'aide d'une pince.

(3) Faites passer le câble de l'adaptateur par l'orifice et connectez-le à la borne de l'imprimante.

Remarque: Il faut bien veiller à faire passer le câble de l'adaptateur par l'orifice ; sinon, celui-ci risque d'être pincé par l'appareil et, par conséquent, d'être endommagé.

(4) Branchez la prise du câble d'alimentation à la prise secteur.

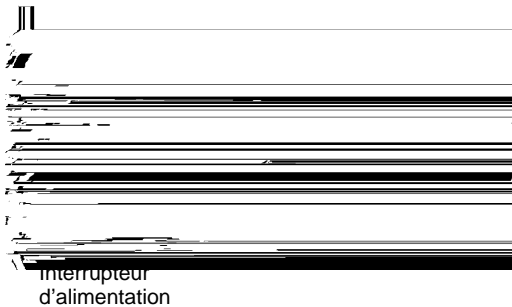
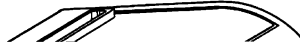


4-4. Mise sous tension de l'imprimante

Assurez-vous d'avoir bien connecté l'adaptateur secteur comme décrit à la section 4-3.

(1) Placez l'interrupteur d'alimentation, situé sur le côté de l'imprimante, sur la position sous tension.

La DEL POWER s'allume au panneau des commandes.



Attention!

Nous vous recommandons de débrancher l'imprimante du secteur lorsque vous ne comptez pas l'utiliser pendant une période prolongée. Par ailleurs, veuillez lors de l'installation à ce que la prise secteur alimentant l'imprimante soit proche et d'accès facile.

5. Panneau des commandes

5-1. Touche d'avance de papier PAPER FEED

Le papier avance d'une ligne à chaque pression sur cette touche. Une pression continue sur la touche fera avancer le papier de façon continue.

Remarque: Une pression sur cette touche n'a d'effet que si du papier est chargé dans l'imprimante.

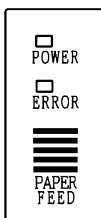
5-2. DEL d'alimentation POWER

Cette DEL s'allume lorsque l'interrupteur d'alimentation est placé sur hors tension et que l'appareil est alimenté par le secteur.

5-3. DEL d'erreur ERROR

Cette DEL s'allume ou clignote lorsqu'une des erreurs énumérées ci-dessous se produit.

Erreurs	DEL
Pas de papier (papier épuisé)	Allumée
Capot d'imprimante ouvert	
Impression interrompue en raison de la température trop élevée de la tête d'impression	
Alimentation anormale	
Papier presque épuisé	Clignote



6. Chargement du papier

6-1. Chargement d'un rouleau de papier neuf

(1) Mettez l'imprimante hors tension.

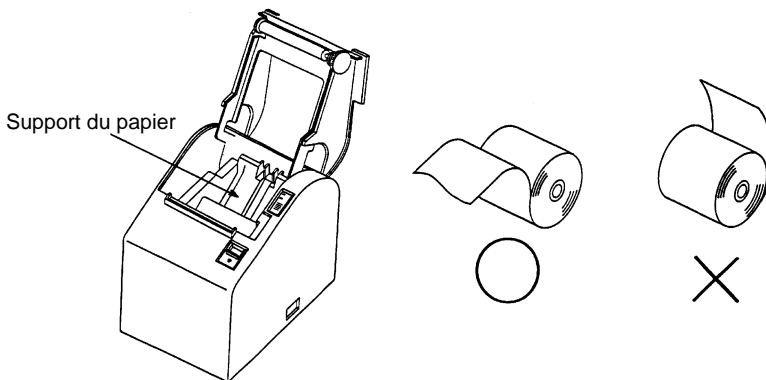
(2) Tirez le levier vers le bas afin d'ouvrir le capot de l'imprimante.

Remarque: Veillez à tirer le levier tout à fait jusqu'à sa butée. Si le levier n'est pas tiré tout à fait, le capot pourrait ne pas s'ouvrir.

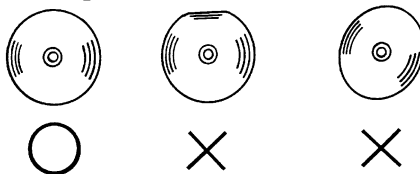
(3) Retirez l'adhésif de l'extrémité du papier.

Remarque: Veillez à bien retirer l'intégralité de l'adhésif. En effet, l'impression ne peut s'effectuer sur celui-ci.

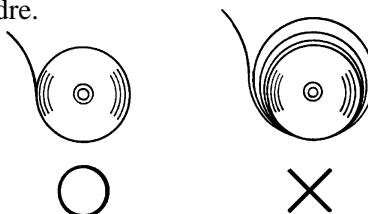
(4) Placez le papier dans la direction indiquée ci-dessous et insérez-le avec soin dans le support du papier.



Remarque 1: Veillez à ce que le rouleau de papier soit en bon état. Si le rouleau est déformé comme illustré ci-dessous, des problèmes risquent de survenir.

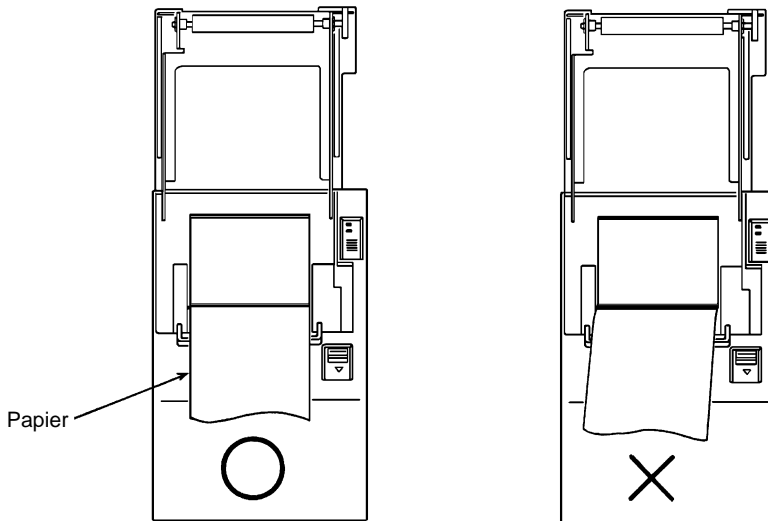


Remarque 2: Si le papier se déroule comme illustré ci-dessous après son chargement dans le support de papier, il convient de le tendre.

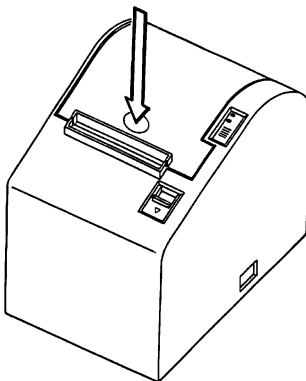


(5) Veillez à ce que le papier soit placé bien droit, puis refermez doucement le capot de l'imprimante.

Remarque 1: Le papier doit être placé bien droit. Si vous refermez le capot de l'imprimante alors que le papier est de travers (voir illustration), un bouchage peut se produire.



Remarque 2: Verrouillez le cache de l'imprimante en appuyant à l'endroit du capot repéré par la flèche dans l'illustration ci-dessous. Si vous appuyez à tout autre endroit, le capot risque de ne pas être verrouillé, ce qui pourrait empêcher l'impression.



(6) Mettez l'imprimante sous tension. Assurez-vous que la DEL ERROR n'est pas allumée.

Remarque: Tant que la DEL ERROR est allumée, l'imprimante n'accepte aucune commande. Il faut donc veiller à ce que le capot de l'imprimante soit verrouillé.

(7) Lancez la commande de coupure de papier afin de couper l'extrémité du papier.

6-2. Retrait du papier

(1) Mettez l'imprimante hors tension.

(2) Tirez le levier vers le bas afin d'ouvrir le capot de l'imprimante.

Remarque: Veillez à tirer le levier tout à fait jusqu'à sa butée. Si le levier n'est pas tiré tout à fait, le capot pourrait ne pas s'ouvrir.

(3) Retirez le papier.

7. Resume des commandes

L'imprimante supporte deux modes de commande différents : le mode STAR, et le mode ESC/POS.

Ce chapitre donne la liste de toutes les commandes supportées par l'imprimante.

Attention!

Pour obtenir la dernière version de ce manuel et pour les mises à jour des commandes supportées, consultez l'adresse URL suivante : http://www.star-micronics.co.jp/service/sp_sup_e.htm.

7-1. Mode Star

Commandes de sélection de caractères

Code de contrôle	Codes hexadécimaux	Fonction
<ESC> "R" n	1B 52 n	Sélection du jeu de caractères internationaux
<ESC> <GS> t n	1B 1D t n	Sélectionne la page "n" spécifiée au tableau des codes de caractères.
<ESC> " " "1" <ESC> " " <1>	1B 2F 31 1B 2F 01	Sélection du zéro barré
<ESC> " " "0" <ESC> " " <0>	1B 2F 30 1B 2F 00	Sélection du zéro normal
<ESC> "b" n1 n2 n3 n4 d1 ... <RS>	1B 62 n1 n2 n3 n4 d1 ... 1E	Sélection d'impression de code à barres
<ESC> "M"	1B 4D	Sélection d'impression de pas 12 points
<ESC> "p"	1B 70	Sélection d'impression de pas 14 points
<ESC> "P"	1B 50	Sélection d'impression de pas 15 points
<ESC> " " "	1B 3A	Sélection d'impression de pas 16 points
<ESC> <SP> n	1B 20 n	Réglage d'espacement de caractère
<SO>	0E	Réglage d'impression d'agrandissement double de largeur de caractère
<DC4>	14	Nouveau réglage d'impression d'agrandissement de largeur de caractère
<ESC> "W" n	1B 57 n	Réglage d'agrandissement de largeur de caractère
<ESC> <SO>	1B 0E	Réglage d'impression d'agrandissement double de hauteur de caractère
<ESC> <DC4>	1B 14	Nouveau réglage d'impression d'agrandissement de hauteur de caractère
<ESC> "h" n	1B 68 n	Réglage d'agrandissement de hauteur de caractère

Code de contrôle	Codes hexadécimaux	Fonction
<ESC> “_” “1” <ESC> “_” <1>	1B 2D 31 1B 2D 01	Sélection de soulignement
<ESC> “_” “0” <ESC> “_” <0>	1B 2D 30 1B 2D 00	Annulation de soulignement
<ESC> “_” “1” <ESC> “_” <1>	1B 5F 31 1B 5F 01	Sélection de surlignement
<ESC> “_” “0” <ESC> “_” <0>	1B 5F 30 1B 5F 00	Annulation de surlignement
<ESC> “4”	1B 34	Sélection d’impression surintensifiée
<ESC> “5”	1B 35	Annulation d’impression surintensifiée
<SI>	0F	Impression inversée
<DC2>	12	Annulation d’impression inversée
<ESC> “E”	1B 45	Sélection d’impression mise en valeur
<ESC> “F”	1B 46	Annulation d’impression mise en valeur

Commandes de réglage du format de page

Code de contrôle	Codes hexadécimaux	Fonction
<ESC> “C” <i>n</i>	1B 43 <i>n</i>	Réglage de la longueur de page en lignes
<ESC> “C” <0> <i>n</i>	1B 43 00 <i>n</i>	Réglage de la longueur de page en pouces
<ESC> “N” <i>n</i>	1B 4E <i>n</i>	Réglage de la marge inférieure
<ESC> “O”	1B 4F	Annulation de la marge inférieure
<ESC> “I” <i>n</i>	1B 6C <i>n</i>	Réglage de la marche gauche
<ESC> “Q” <i>n</i>	1B 51 <i>n</i>	Réglage de la marge droite

Commandes de déplacement de la position d’impression

Code de contrôle	Codes hexadécimaux	Fonction
<LF>	0A	Avance de ligne
<ESC> “a” <i>n</i>	1B 61 <i>n</i>	Avance de <i>n</i> lignes de papier
<FF>	0C	Saut de page
<HT>	09	Tabulation horizontale
<VT>	0B	Tabulation verticale

Code de contrôle	Codes hexadécimaux	Fonction
<ESC> “z” “1” <ESC> “z” <1>	1B 7A 31 1B 7A 01	Réglage d’espacement de ligne à 4 mm
<ESC> “0”	1B 30	Réglage d’espacement de ligne à 3 mm
<ESC> “J” <i>n</i>	1B 4A <i>n</i>	Avance de <i>n</i> /4 mm à la fois
<ESC> “I” <i>n</i>	1B 49 <i>n</i>	Avance de <i>n</i> /8 mm à la fois
<ESC> “B” <i>n1 n2 ... <0></i>	1B 42 <i>n1 n2 ... 00</i>	Réglage d’arrêts de tabulation verticale
<ESC> “D” <i>n1 n2 ... <0></i>	1B 44 <i>n1 n2 ... 00</i>	Réglage d’arrêts de tabulation horizontale
<ESC> <GS> “A” <i>n1 n2</i>	1B 1D 41 <i>n1 n2</i>	Réglage de la position absolue
<ESC> <GS> “R” <i>n1 n2</i>	1B 1D 52 <i>n1 n2</i>	Réglage de la position relative
<ESC> <GS> “a” <i>n</i>	1B 1D 61 <i>n</i>	Alignement

Commandes d’impression de graphiques en points

Code de contrôle	Codes hexadécimaux	Fonction
<ESC> “K” <i>n <0></i> <i>m1 m2 ...</i>	1B 4B <i>n 00 m1 m2 ...</i>	Impression de graphiques densité normale
<ESC> “L” <i>n1 n2</i> <i>m1 m2 ...</i>	1B 4C <i>n1 n2 m1 m2 ...</i>	Impression de graphiques haute densité
<ESC> “k” <i>n <0> m1 ...</i>	1B 6B <i>n 00 m1 ...</i>	Impression de graphiques densité fine
<ESC> “X” <i>n1 n2</i>	1B 58 <i>n1 n2</i>	Impression de graphiques densité fine

Commandes d’impression de caractères téléchargés

Code de contrôle	Codes hexadécimaux	Fonction
<ESC> “&” “1” “1” <i>n m1 m2 ... m48</i>	1B 26 31 31 <i>n</i> <i>m1 m2 ... m48</i>	Définition de caractère téléchargé
<ESC> “&” <1> <1> <i>n m1 m2 ... m48</i>	1B 26 01 01 <i>n m1 m2 ... m48</i>	
<ESC> “&” “1” “0” <i>n</i>	1B 26 31 30 <i>n</i>	Suppression de caractère téléchargé
<ESC> “&” <1> <0> <i>n</i>	1B 26 01 00 <i>n</i>	
<ESC> “%” “1” <ESC> “%” <1>	1B 25 31 1B 25 01	Validation d’un jeu de caractères téléchargés
<ESC> “%” “0” <ESC> “%” <0>	1B 25 30 1B 25 00	Invalidation d’un jeu de caractères téléchargés
<ESC> <GS> “*” <i>xy</i>	1B 1D 2A 78 79	Définition d’une image en mode point (Bit) téléchargée
<ESC> <GS> “/” <i>m</i>	1B 1D 2F 6D	Impression d’une image en mode point (Bit) téléchargée

Commandes de pilotage des périphériques

Code de contrôle	Codes hexadécimaux	Fonction
<ESC> <BEL> <i>n1 n2</i>	1B 07 <i>n1 n2</i>	Définition de la largeur d'impulsion d'entraînement du périphérique #1
<BEL>	07	Pilotage du périphérique #1
<FS>	1C	Pilotage immédiat du périphérique #1
	19	Pilotage immédiat du périphérique #2
<SUB>	1A	Pilotage immédiat du périphérique #2

Commandes de pilotage du mécanisme automatique de découpe

Code de contrôle	Codes hexadécimaux	Fonction
<ESC> “d” <i>n</i>	1B 64 <i>n</i>	Commande de découpe partielle au mécanisme automatique

Autres commandes

Code de contrôle	Codes hexadécimaux	Fonction
<CAN>	18	Annulation de la dernière ligne et initialisation immédiate de l'imprimante
<DC3>	13	Désélection de l'imprimante
<DC1>	11	Réglage du mode de sélection
<RS>	1E	Retentissement de l'avertisseur
<ESC> “@”	1B 40	Initialisation de l'imprimante
<ENQ>	05	Interrogation (Demande de renseignements)
<EOT>	04	Demande de renseignements pour la fin de transmission
<ESC> “?” <LF> <NUL>	1B 3F 0A 00	Initialisation de l'imprimante (Effectuer impression d'essai)
<ESC> “8” <i>n1 n2</i>	1B 38 <i>n1 n2</i>	Enregistre un logo
<ESC> “9” <i>n1 n2</i>	1B 39 <i>n1 n2</i>	Imprime un logo

7-2. Mode ESC/POS

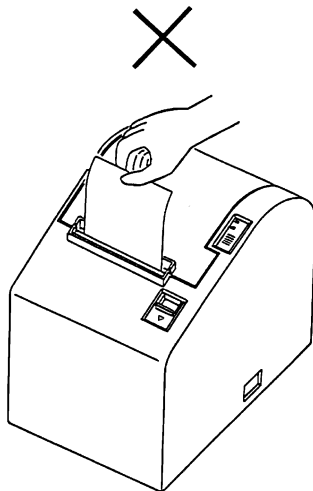
Code de commande	Code hexadécimal	Fonction
HT	09	Tabulation horizontale
LF	0A	Avance de ligne
CR	0D	Retour de chariot
FF	0C	Impression mode de page et retour
DLE EOT	10 04	Transmission d'état en temps réel
DLE ENQ	10 05	Demande à l'imprimante en temps réel
CAN	18	Annulation des données d'impression en mode de page
ESC FF	1B FF	Impression des données en mode de page
ESC SP	1B 20	Réglage d'espacement des caractères
ESC !	1B 21	Désignation du mode d'impression universel
ESC #	1B 23	Commutateur de réglage de la mémoire
ESC \$ nL nH	1B 24 nL nH	Désignation de l'impression absolue
ESC %	1B 25	Désignation/annulation du jeu de caractères téléchargés
ESC &	1B 26	Définition des caractères téléchargés
ESC *	1B 2A	Désignation du mode d'image de bit
ESC -	1B 2D	Désignation/annulation du soulignement
ESC 2	1B 32	Réglage de l'avance de ligne de 1/6ème de pouce
ESC 3	1B 33	Réglage de l'avance de ligne
ESC =	1B 3D	Sélection de l'équipement périphérique
ESC ?	1B 3F	Effacement des caractères téléchargés
ESC @	1B 40	Initialisation de l'imprimante
ESC D	1B 44	Réglage de la position de la tabulation horizontale
ESC E	1B 45	Désignation/annulation d'impression mise en valeur
ESC G	1B 47	Désignation/annulation d'impression double
ESC J	1B 4A	Impression et avance de papier
ESC L	1B 4C	Sélection du mode de page
ESC R	1B 52	Sélection des caractères internationaux
ESC S	1B 53	Sélection du mode standard
ESC T	1B 54	Sélection de la direction d'impression des caractères en mode d'impression
ESC V	1B 56	Désignation/annulation de la rotation de 90° des caractères
ESC W	1B 57	Réglage de la plage d'impression en mode de page
ESC \	1B 5C	Désignation de la position relative
ESC a	1B 61	Alignement de la position
ESC c3	1B 63 33	Sélection du détecteur d'épuisement du papier produisant le signal d'avertissement en cas d'épuisement du papier
ESC c4	1B 63 34	Pas de sélection de papier valide à l'arrêt d'impression
ESC c5	1B 63 35	Activation/désactivation des commandes du panneau
ESC d	1B 64	Impression et alimentation du papier de "n" lignes
ESC p	1B 70	Désignation de la génération d'impulsions

Code de commande	Code hexadécimal	Fonction
ESC t	1B 74	Sélection du tableau des codes de caractères
ESC {	1B 7B	Désignation/annulation de l'impression inversée
ESC ¥ <i>nL nH</i>	1B 9F <i>nL nH</i>	Désigne l'impression relative
FS <i>p n m</i>	1c 70 <i>n m</i>	Imprime l'image NV bit
FS <i>g n</i>	1c 71	Définit l'image NV bit
GS !	1D 21	Désignation de la taille de caractères
GS \$	1D 24	Désignation de la position absolue de la direction verticale des caractères en mode de page
GS *	1D 2A	Définition de l'image bit téléchargée
GS /	1D 2F	Impression de l'image bit téléchargée
GS :	1D 3A	Début/fin de la définition macro
GS B	1D 42	Désignation/annulation de l'impression à l'envers
GS E <i>n</i>	1D 45 <i>n</i>	Réglage de la vitesse d'impression et du temps d'excitation de la tête
GS H	1D 48	Sélection de la position d'impression des caractères HRI
GS I	1D 49	Transmission de l'identification de l'imprimante
GS L	1D 4C	Réglage de la marge de gauche
GS P	1D 50	Réglage du pas calculé de base
GS V	1D 56	Coupure du papier
GS W	1D 57	Réglage de la plage d'impression
GS \	1D 5C	Désignation de la position relative des caractères verticaux lors de l'impression en mode de page
GS ^	1D 5E	Exécution de macro
GS a	1D 61	Activation/désactivation de la transmission de l'état automatique
GS b <i>n</i>	1D 62 <i>n</i>	Réglage ou annulation du lissage
GS f	1D 66	Sélection de fonte de caractères HRI
GS h	1D 68	Réglage de la hauteur de codes à barres
GS k	1D 6B	Impression de codes à barres
GS r	1D 72	Transmission d'état
GS w	1D 77	Réglage de la taille latérale de codes à barres

8. Prévention et correction de bourrages de papier

8-1. Prévention des bourrages de papier

Il convient de ne jamais toucher le papier pendant son éjection et avant qu'il soit coupé. Appuyer ou tirer sur le papier pendant son éjection risque de provoquer un bourrage, des problèmes de coupure ou d'avance de ligne.



8-2. Correction de bourrages de papier

En cas de bourrage de papier, procédez comme suit afin d'y remédier :

- (1) Mettez l'appareil hors tension.
- (2) Tirez le levier tout à fait vers le bas afin d'ouvrir le capot de l'imprimante.
Remarque: Veillez à tirer le levier jusqu'à sa butée. Si le levier n'est pas tiré tout à fait, le capot pourrait ne pas s'ouvrir.
- (3) Retirez le papier bloqué.
Remarque: Veillez à ne pas endommager l'imprimante lors du retrait du papier bloqué.
Veillez particulièrement à ne pas toucher la tête d'impression thermique en raison de sa fragilité.

(4) Veillez à insérer le rouleau de papier tout droit et refermez avec soin le capot de l'imprimante.

Remarque 1: Le papier doit être placé bien droit. Si vous refermez le capot de l'imprimante alors que le papier est de travers (voir illustration), un bourrage peut se produire.

Remarque 2: Verrouillez le cache de l'imprimante en appuyant à l'endroit du capot repéré par la flèche dans l'illustration ci-dessous. Si vous appuyez à tout autre endroit, le capot risque de ne pas être verrouillé, ce qui pourrait empêcher l'impression.

(5) Mettez l'imprimante sous tension. Assurez-vous que la DEL ERROR n'est pas allumée.

Remarque: Tant que la DEL ERROR est allumée, l'imprimante n'accepte aucune commande. Il faut donc veiller à ce que le capot de l'imprimante soit verrouillé.

10. Nettoyage

Les caractères imprimés pourraient devenir partiellement illisibles en raison de l'accumulation de la poussière de papier et de crasse. Afin de prévenir ce genre de problème, il convient de nettoyer régulièrement la poussière qui s'accumule sur le support de papier, les passages du papier et la surface de la tête d'impression. Il est recommandé d'effectuer ce nettoyage une fois par mois.

10-1. Nettoyage de la tête d'impression

Nettoyez la poussière noirâtre accumulée sur la surface de la tête d'impression à l'alcool isopropylique.

Remarque: La tête d'impression thermique est fragile, il convient donc de procéder avec précaution. Prenez soin de ne pas la griffer.

10-2. Nettoyage du support de papier

Nettoyez la poussière de papier accumulée sur le support de papier et sur les passages du papier à l'aide d'un chiffon doux.

INHALTSVERZEICHNIS

1. Kurzbeschreibung	49
2. Beschreibung und Bezeichnung der Geräteteile	50
3. Verbrauchsteile und Netzteil	52
4. Anschlußkabel und Netzteil	53
4-1. Anschließen des Schnittstellenkabels	53
4-2. Anschließen des Peripheriegerätekabels	54
4-3. Anschließen des optionalen Netzteils	55
4-4. Einschalten	56
5. Bedienfeld	57
5-1. Papiereinzugknopf (PAPER FEED)	57
5-2. Netz-LED (POWER)	57
5-3. Fehler-LED (ERROR)	57
6. Einlegen von Papier	58
6-1. Einlegen einer neuen Papierrolle	58
6-2. Entfernen des restlichen Papiers	60
7. Zusammenfassung der Befehle	61
7-1. Star-Betriebsart	61
7-2. ESC/POS Betrieb	65
8. Verhindern und Beheben von Papierstau	67
8-1. Verhindern von Papierstau	67
8-2. Beheben von Papierstau	67
9. Testdruck-Verfahren	69
9-1. Erstellen eines Testdrucks	69
9-2. Sedezimaler Datenausdruck	69
10. Regelmäßige Reinigung	70
10-1. Reinigen des Thermalkopfes	70
10-2. Reinigen des Papierhalters	70
ANHANG	95

Der Anhand dieser Bedienungsanleitung ist nur in englischer Sprache.

Bitte wenden Sie sich an die folgende Internet-Address:
http://www.star-micronics.co.jp/service/sp_sup_e.htm,
wenn Sie die neueste Revision dieses Handbuches lesen möchten.

1. Kurzbeschreibung

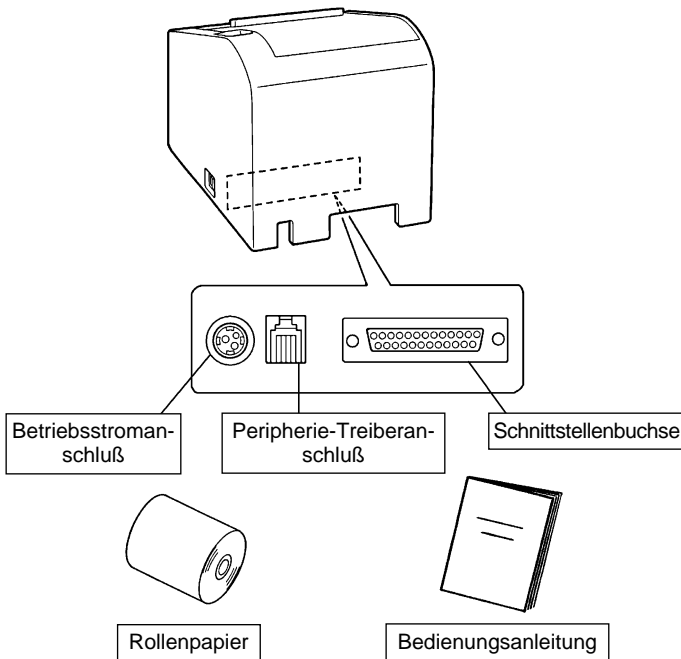
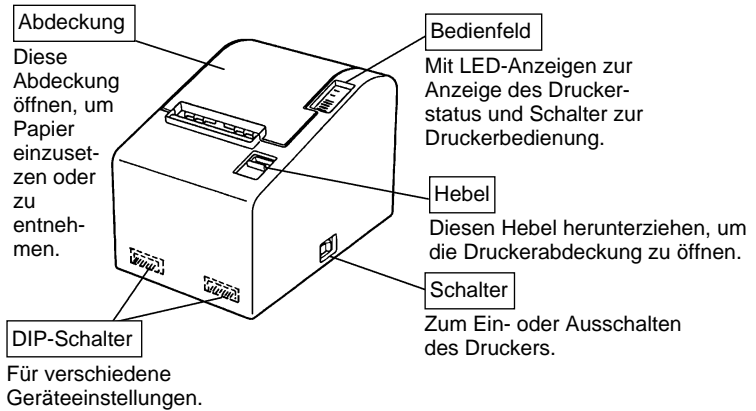
Diese Anleitung erklärt die Verwendung des Thermaldruckers TSP552 und gibt Hinweise zum sicheren Betrieb und zur Vermeidung von Problemen und Betriebsstörungen.

Vor der Inbetriebnahme des Druckers lesen Sie bitte diese Bedienungsanleitung gründlich durch, um optimalen Einsatz sicherzustellen.

Die wichtigsten Merkmale dieses Druckers sind wie folgt:

1. Druck mit hoher Geschwindigkeit (max. 105 mm/s 28 Zeilen/s bei Zeilenvorschub von 3,75 mm)
2. Hohe Druckqualität (8 Punkte/mm) dank hochdichter thermaler Zeilen-Druckkopf.
3. Niedriges Betriebsgeräusch durch die Thermaldruckertechnik.
4. Drucken von Logos, Bons und Strichcodes ist möglich.
5. Die Druckstärke kann mit DIP-Schaltern eingestellt werden.
6. Ein automatisches Schneidwerk ist als Standardausstattung vorhanden.
7. Der eingebaute Peripherieeinheit-Treiber erlaubt Steuerung von zwei Peripheriegeräten.
8. Bedeutende Erleichterung des Papiereinlegens dank der Drop-In-Konstruktion des Papiereinzugs.
9. Die Drop-In-Konstruktion erleichtert die Wartung.
10. Kompakte Abmessungen sorgen für geringen Platzbedarf zur Aufstellung.
11. Unterstützt ESC/POS™ Befehle.

2. Beschreibung und Bezeichnung der Geräteteile



Wahl eines Aufstellungsorts für den Drucker

Bevor Sie den Drucker auspacken, sollten Sie einige Minuten damit verbringen, einen geeigneten Aufstellungsort auszusuchen. Denken Sie dabei an die folgenden Punkte:

- ✓ Den Drucker auf einem flachen, aber festen Untergrund aufstellen, wo keine Vibrationen vorhanden sind.
- ✓ Die verwendete Steckdose soll in der Nähe und frei zugänglich sein.
- ✓ Sicherstellen, daß der Drucker nahe genug am Computer ist, um die Geräte mit dem Druckerkabel verbinden zu können.
- ✓ Sicherstellen, daß der Drucker vor direktem Sonnenlicht geschützt ist.
- ✓ Sicherstellen, daß der Drucker ausreichend weit von Heizkörpern entfernt steht.
- ✓ Dafür sorgen, daß die Umgebung des Druckers sauber, trocken und staubfrei ist.
- ✓ Sicherstellen, daß der Drucker an eine einwandfreie Stromzufuhr angeschlossen ist. Er sollte nicht an Steckdosen angeschlossen werden, an denen bereits Geräte mit möglichen Netzstörungen wie Kopierer, Kühlschränke u.a. angeschlossen sind.
- ✓ Den Drucker nicht an Orten mit hoher Luftfeuchtigkeit aufstellen.

3. Verbrauchsteile und Netzteil

Wenn die Verbrauchsteile verbraucht sind, besorgen Sie Ersatz entsprechend der unten gezeigten Tabelle.

Verwendung von Verbrauchsteilen oder Netzteilen, die nicht den unten aufgeführten Beschreibungen entsprechend, kann zu Schäden am Drucker, Bränden oder elektrischen Schlägen führen.

Bezeichnung	Beschreibung
Rollenpapier	Thermopapier Breite: $80 \begin{smallmatrix} 0 \\ . \\ 1,0 \end{smallmatrix}$ mm Rollen-Außendurchmesser: $\varnothing 83$ mm oder weniger Kern-Außendurchmesser: $\varnothing 18 \begin{smallmatrix} +0,5 \\ 0 \end{smallmatrix}$ mm Kern-Innendurchmesser: $\varnothing 12 \pm 0,5$ mm Empfohlenes Papier (normales Thermopapier) TF50KS-E2C (Nippon Paper Industries) PD-150R (Oji Papier Co.) P220AG (Mitsubishi Papier Mills Ltd.) Empfohlenes Papier (Papier mit langer Haltbarkeit) PD-160R (Oji Papier Co.) HP220AB-1 (Mitsubishi Papier Mills Ltd.) HP220A (Mitsubishi Papier Mills Ltd.)
Netzteil (option)	Eingang: 90 bis 264 V WS Ausgang: 24 V GS

Wichtig!

Empfehlungen zu den zu verwendenden Papiersorten sind im Internet bei der folgenden URL erhältlich: <http://www.star-micronics.co.jp/>

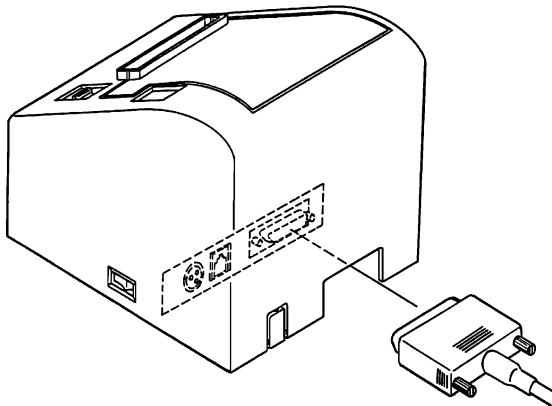
4. Anschlußkabel und Netzteil

4-1. Anschließen des Schnittstellenkabels

Hinweis: Vor dem Anschließen/Abtrennen des Schnittstellenkabels stellen Sie sicher, daß der Drucker und alle angeschlossenen Gerät ausgeschaltet sind. Außerdem sollte der Netzstecker abgezogen sein.

- (1) Schließen Sie das Schnittstellenkabel an die Buchse an der Rückseite des Druckers an.
- (2) Befestigen den Stecker mit den Steckerschrauben.
- (3) Führen Sie das Schnittstellenkabel durch das an der Unterseite der Druckerabdeckung vorhandene Loch und stellen den Drucker dann in der richtigen Position auf.

Hinweis: Stellen Sie sicher, daß das Schnittstellenkabel durch das Loch geführt wird. Wenn das nicht geschieht, kann das Kabel vom Drucker gequetscht werden, was zu Schäden am Kabel führt.

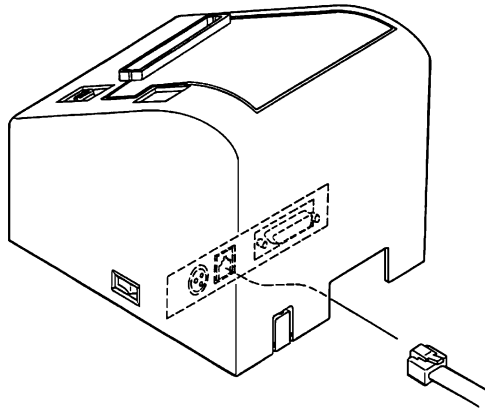


4-2. Anschließen des Peripheriegeräte Kabels

Hinweis: Vor dem Anschließen/Abtrennen des Peripheriegeräte Kabels stellen Sie sicher, daß der Drucker und alle angeschlossenen Gerät ausgeschaltet sind. Außerdem sollte der Netzstecker abgezogen sein.

- (1) Schließen Sie das Peripheriegeräte Kabel an die Buchse an der Rückseite des Druckers an, und führen Sie das Kabel durch das an der Unterseite der Druckerabdeckung vorhandene Loch.

Hinweis: Stellen Sie sicher, daß das Peripheriegeräte Kabel durch das Loch geführt wird. Wenn das nicht geschieht, kann das Kabel vom Drucker gequetscht werden, was zu Schäden am Kabel führt.



4-3. Anschließen des optionalen Netzteils

Hinweis: Vor dem Anschließen/Abtrennen des Netzteils stellen Sie sicher, daß der Drucker und alle angeschlossenen Gerät ausgeschaltet sind. Außerdem sollte der Netzstecker abgezogen sein.

(1) Schließen Sie das Netzteil an das Netzkabel an.

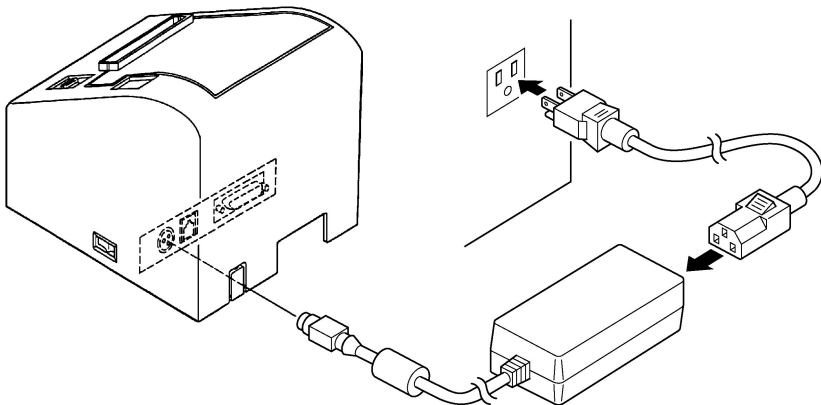
Hinweis: Verwenden Sie nur das vorgesehene Netzteil und Netzkabel.

(2) Schneiden Sie mit einer Kneifzange ein Kabelloch in die Druckerabdeckung.

(3) Führen Sie das Kabel durch das Loch, und schließen Sie es an die Buchse am Drucker an.

Hinweis: Stellen Sie sicher, daß das Netzteilkabel durch das Loch geführt wird. Wenn das nicht geschieht, kann das Kabel vom Drucker gequetscht werden, was zu Schäden am Kabel führt.

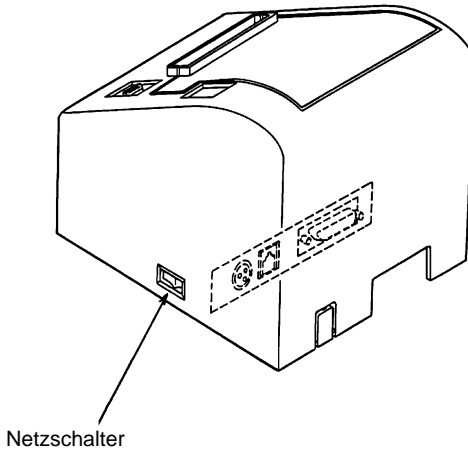
(4) Stecken Sie den Netzstecker des Netzteils in eine Steckdose ein.



4-4. Einschalten

Stellen Sie sicher, daß das Netzteil angeschlossen ist, wie in 4-3 beschrieben.

- (1) Stellen Sie den Netzschalter an der Seite des Druckers in Ein-Stellung. Das POWER-Lämpchen am Bedienfeld leuchtet auf.



Wichtig!

Wir empfehlen, den Netzstecker aus der Steckdose zu ziehen, wenn der Drucker längere Zeit lang nicht benutzt werden soll. Der Drucker sollte vorzugsweise an einem Platz aufgestellt werden, der leichten Zugang zur Netzsteckdose gewährt.

5. Bedienfeld

5-1. Papiereinzugknopf (PAPER FEED)

Bei jedem Drücken dieses Knopfes wird das Papier um eine Zeile vorgeschoben. Wenn der Knopf gedrückt gehalten wird, wird das Papier kontinuierlich vorgeschoben.

Hinweis: Dieser Knopf ist unwirksam, wenn kein Papier eingelegt ist.

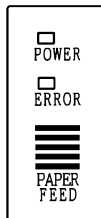
5-2. Netz-LED (POWER)

Diese LED leuchtet auf, wenn der Netzschalter in Ein-Stellung ist und Betriebsstrom am Drucker anliegt.

5-3. Fehler-LED (ERROR)

Diese LED leuchtet oder blinkt, wenn einer der folgenden Fehler auftritt.

Fehler	LED
Kein Papier (Papierende) erkannt	Leuchtet kontinuierlich
Druckerabdeckung offen	
Druck wegen zu heißem Druckkopf unterbrochen	
Anormaler Betriebsstrom	
Papierende fast erreicht	Blinkt



6. Einlegen von Papier

6-1. Einlegen einer neuen Papierrolle

(1) Stellen Sie den Netzschalter auf Aus-Stellung, um die Betriebsstromversorgung des Druckers abzuschalten.

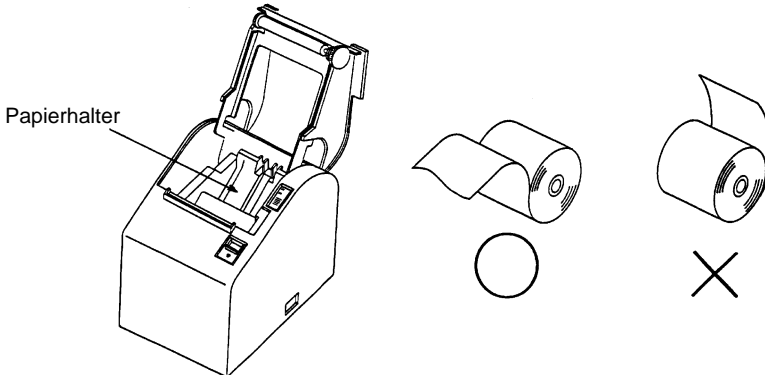
(2) Ziehen Sie den Hebel nach vorne, um die Druckerabdeckung zu öffnen.

Hinweis: Stellen Sie sicher, daß der Hebel gezogen wird, bis er am Anschlag stoppt. Wenn der Hebel nicht bis zum Anschlag gezogen wird, kann es sein, daß sich die Druckerabdeckung nicht öffnen läßt.

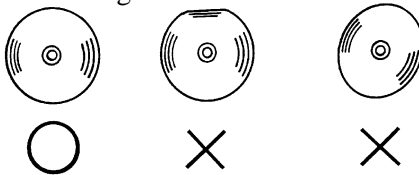
(3) Das Klebestück am Papierende abziehen.

Hinweis: Stellen Sie sicher, daß der gesamte Kleberegion entfernt ist, da in diesem Bereich nicht gedruckt werden kann.

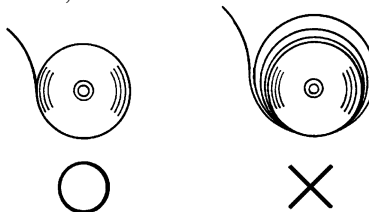
(4) Positionieren Sie das Papier wie in der Abbildung unten gezeigt, und setzen Sie es vorsichtig in den Papierhalter ein.



Hinweis 1: Stellen Sie sicher, daß das Papier nicht verformt ist. Wenn eine Papierrolle wie die unten gezeigte verwendet wird, können Betriebsstörungen auftreten.

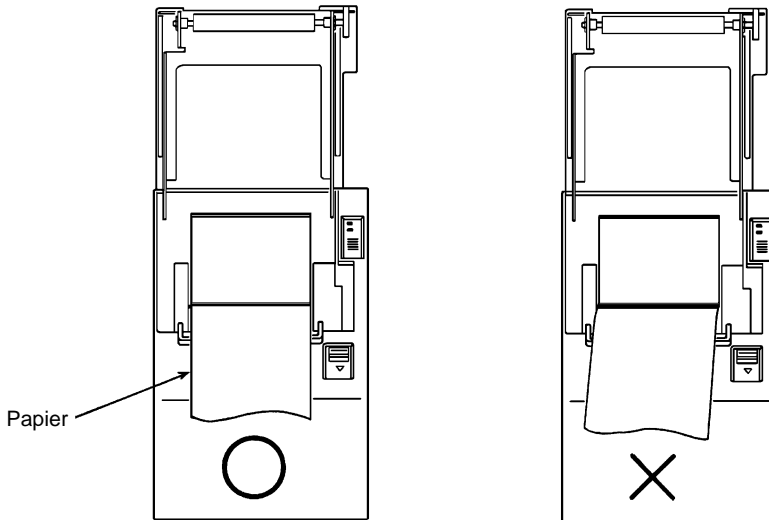


Hinweis 2: Wenn das Papier durchhängt wie unten gezeigt, nachdem es eingesetzt ist, ziehen Sie es straff.

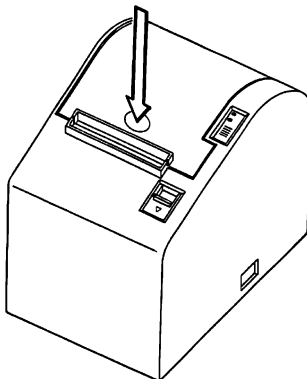


(5) Stellen Sie sicher, daß das Papier gerade ausgerichtet ist, und schließen Sie die Druckerabdeckung vorsichtig.

Hinweis 1: Stellen Sie sicher, daß das Papier gerade ausgerichtet ist. Wenn die Druckerabdeckung bei schief liegendem Papier geschlossen wird, wie unten gezeigt, kann ein Papierstau auftreten.



Hinweis 2: Sperren Sie die Druckerabdeckung durch Drücken auf die Mitte der Abdeckung (in der Abbildung unten durch einen Pfeil gekennzeichnet). Wenn ein anderer Teil der Abdeckung als die Mitte gedrückt wird, kann die Abdeckung nicht richtig geschlossen werden. Dadurch kann u.U. der Druck unmöglich werden.



- (6) Stellen Sie den Netzschalter in Ein-Stellung, um den Drucker einzuschalten. Stellen Sie sicher, daß die ERROR-LED nicht leuchtet.

Hinweis: Während die ERROR-LED leuchtet, akzeptiert der Drucker keine Befehle wie Druckbefehl; stellen Sie deshalb sicher, daß die Abdeckung richtig geschlossen ist.

- (7) Geben Sie den Befehl zum Abschneiden des Papierendes aus.

6-2. Entfernen des restlichen Papiers

- (1) Stellen Sie den Netzschalter auf Aus-Stellung, um den Drucker auszuschalten.

- (2) Ziehen Sie den Hebel nach vorne, um die Druckerabdeckung zu öffnen.

Hinweis: Stellen Sie sicher, daß der Hebel gezogen wird, bis er am Anschlag stoppt. Wenn der Hebel nicht bis zum Anschlag gezogen wird, kann es sein, daß sich die Druckerabdeckung nicht öffnen läßt.

- (3) Entfernen Sie das verbleibende Papier.

7. Zusammenfassung der Befehle

Dieser Drucker unterstützt zwei verschiedene Befehlsmodi: den Star-Modus und den ESC/POS-Modus,
In diesem Kapitel werden alle von diesem Drucker unterstützten Befehle aufgeführt.

Wichtig!

*Die neueste Version dieser Anleitung und Aktualisierungen der unterstützten Befehlssätze sind im Internet bei der folgenden URL erhältlich:
http://www.star-micronics.co.jp/service/sp_sup_e.htm*

7-1. Star-Betriebsart

Befehle zum Ändern der Zeichendarstellung

Steuerbefehle	Hexadezimal-Codes	Funktion
<ESC> “R” n	1B 52 n	Internationalen Zeichensatz einstellen
<ESC> <GS> t n	1B 1D t n	Wählt Codepage “n” in der Zeichencode-Tabelle.
<ESC> “/” “1” <ESC> “/” <1>	1B 2F 31 1B 2F 01	Null mit Schrägstrich wählen
<ESC> “/” “0” <ESC> “/” <0>	1B 2F 30 1B 2F 00	Normale Null wählen
<ESC> “b” n1 n2 n3 n4 d1 ... <RS>	1B 62 n1 n2 n3 n4 d1 ... 1E	Barcode-Druck aktivieren
<ESC> “M”	1B 4D	Drucken mit 12-Punkt-Größe
<ESC> “p”	1B 70	Drucken mit 14-Punkt-Größe
<ESC> “P”	1B 50	Drucken mit 15-Punkt-Größe
<ESC> “.”	1B 3A	Drucken mit 16-Punkt-Größe
<ESC> <SP> n	1B 20 n	Zeichenabstand einstellen
<SO>	0E	Druck mit doppelter Zeichenbreite
<DC4>	14	Rückstellen der Zeichenbreite
<ESC> “W” n	1B 57 n	Zeichenbreite definieren
<ESC> <SO>	1B 0E	Druck mit doppelter Zeichenhöhe
<ESC> <DC4>	1B 14	Rückstellen der Zeichenhöhe
<ESC> “h” n	1B 68 n	Zeichenhöhe definieren
<ESC> “_” “1” <ESC> “_” <1>	1B 2D 31 1B 2D 01	Unterstreichen aktivieren
<ESC> “_” “0” <ESC> “_” <0>	1B 2D 30 1B 2D 00	Unterstreichen deaktivieren

Steuerbefehle	Hexadezimal-Codes	Funktion
<ESC> “_” “1” <ESC> “_” <1>	1B 5F 31 1B 5F 01	Überstreichen aktivieren
<ESC> “_” “0” <ESC> “_” <0>	1B 5F 30 1B 5F 00	Überstreichen deaktivieren
<ESC> “4”	1B 34	Hervorgehobenen Druck aktivieren
<ESC> “5”	1B 35	Hervorgehobenen Druck deaktivieren
<SI>	0F	Inversdruck aktivieren
<DC2>	12	Inversdruck deaktivieren
<ESC> “E”	1B 45	Fettdruck aktivieren
<ESC> “F”	1B 46	Fettdruck deaktivieren

Befehle zum Festlegen der Seitengröße

Steuerbefehle	Hexadezimal-Codes	Funktion
<ESC> “C” <i>n</i>	1B 43 <i>n</i>	Seitenlänge in Zeilen definieren
<ESC> “C” <0> <i>n</i>	1B 43 00 <i>n</i>	Seitenlänge in Zoll definieren
<ESC> “N” <i>n</i>	1B 4E <i>n</i>	Unteren Rand definieren
<ESC> “O”	1B 4F	Unteren Rand löschen
<ESC> “I” <i>n</i>	1B 6C <i>n</i>	Linken Rand definieren
<ESC> “Q” <i>n</i>	1B 51 <i>n</i>	Rechten Rand definieren

Befehle zum Ändern der Druckposition

Steuerbefehle	Hexadezimal-Codes	Funktion
<LF>	0A	Zeilenvorschub
<ESC> “a” <i>n</i>	1B 61 <i>n</i>	Papier um <i>n</i> Zeilen verschieben
<FF>	0C	Seitenvorschub
<HT>	09	Horizontaler Tabulator
<VT>	0B	Vertikaler Tabulator
<ESC> “z” “1” <ESC> “z” <1>	1B 7A 31 1B 7A 01	Zeilenvorschub auf 4 mm setzen
<ESC> “0”	1B 30	Zeilenvorschub auf 3 mm setzen

Steuerbefehle	Hexadezimal-Codes	Funktion
<ESC> “J” <i>n</i>	1B 4A <i>n</i>	Einmaliger Vorschub um <i>n</i> /4 mm
<ESC> “I” <i>n</i>	1B 49 <i>n</i>	Einmaliger Vorschub um <i>n</i> /8 mm
<ESC> “B” <i>n1 n2 ... <0></i>	1B 42 <i>n1 n2 ... 00</i>	Vertikale Tabulatoren definieren
<ESC> “D” <i>n1 n2 ... <0></i>	1B 44 <i>n1 n2 ... 00</i>	Horizontale Tabulatoren definieren
<ESC> <GS> “A” <i>n1 n2</i>	1B 1D 41 <i>n1 n2</i>	Absolute Positionseinstellung
<ESC> <GS> “R” <i>n1 n2</i>	1B 1D 52 <i>n1 n2</i>	Relative Positionseinstellung
<ESC> <GS> “a” <i>n</i>	1B 1D 61 <i>n</i>	Ausrichtung

Befehle zum Druck von Rastergrafiken

Steuerbefehle	Hexadezimal-Codes	Funktion
<ESC> “K” <i>n <0></i> <i>m1 m2 ...</i>	1B 4B <i>n 00 m1 m2</i> ...	Grafikdruck in normaler Auflösung
<ESC> “L” <i>n1 n2</i> <i>m1 m2 ...</i>	1B 4C <i>n1 n2 m1 m2</i> ...	Grafikdruck in hoher Auflösung
<ESC> “k” <i>n <0></i> <i>m1 ...</i>	1B 6B <i>n 00 m1 ...</i>	Grafikdruck in maximaler Auflösung
<ESC> “X” <i>n1 n2</i>	1B 58 <i>n1 n2</i>	Grafikdruck in maximaler Auflösung

Befehle zum Druck von Download-Zeichen

Steuerbefehle	Hexadezimal-Codes	Funktion
<ESC> “&” “1” “1” <i>n m1 m2 ... m48</i>	1B 26 31 31 <i>n</i> <i>m1 m2 ... m48</i>	Download-Zeichen definieren
<ESC> “&” <1> <1> <i>n m1 m2 ... m48</i>	1B 26 01 01 <i>n m1 m2 ... m48</i>	
<ESC> “&” “1” “0” <i>n</i>	1B 26 31 30 <i>n</i>	Download-Zeichen löschen
<ESC> “&” <1> <0> <i>n</i>	1B 26 01 00 <i>n</i>	
<ESC> “%” “1” <ESC> “%” <1>	1B 25 31 1B 25 01	Download-Zeichensatz selektieren
<ESC> “%” “0” <ESC> “%” <0>	1B 25 30 1B 25 00	Download-Zeichensatz deselektieren
<ESC> <GS> “*” <i>xy</i>	1B 1D 2A 78 79	Definition des Bitbildes zum Herunterziehen
<ESC> <GS> “/” <i>m</i>	1B 1D 2F 6D	Drucken des Herunterzieh-Bitbildes

Befehle zum Steuern von Peripheriegeräten

Steuerbefehle	Hexadezimal-Codes	Funktion
<ESC> <BEL> <i>n1 n2</i>	1B 07 <i>n1 n2</i>	Treiberimpuls für Peripheriegerät Nr. 1 definieren
<BEL>	07	Peripheriegerät Nr. 1 steuern
<FS>	1C	Peripheriegerät Nr. 1 ohne Verzögerung steuern
	19	Peripheriegerät Nr. 2 ohne Verzögerung steuern
<SUB>	1A	Peripheriegerät Nr. 2 ohne Verzögerung steuern

Befehle zum Steuern des automatischen Abschneiders

Steuerbefehle	Hexadezimal-Codes	Funktion
<ESC> “d” <i>n</i>	1B 64 <i>n</i>	Befehl an den automatischen Abschneider zum teilweisen Schnitt

Weitere Befehle

Steuerbefehle	Hexadezimal-Codes	Funktion
<CAN>	18	Letzte Zeile löschen und Drucker sofort initialisieren
<DC3>	13	Drucker deaktivieren
<DC1>	11	Aktivierungsmodus definieren
<RS>	1E	Signalton aktivieren
<ESC> “@”	1B 40	Drucker initialisieren
<ENQ>	05	Anfrage(Statusnachfrage)
<EOT>	04	Nachfrage über Übertragungsendstatus
<ESC> “?” <LF> <NUL>	1B 3F 0A 00	Druckerhardware zurücksetzen (Den Testdruck ausführen)
<ESC> “8” <i>n1 n2</i>	1B 38 <i>n1 n2</i>	Registriert ein Logomuster.
<ESC> “9” <i>n1 n2</i>	1B 39 <i>n1 n2</i>	Druckt ein Logomuster.

7-2. ESC/POS Betrieb

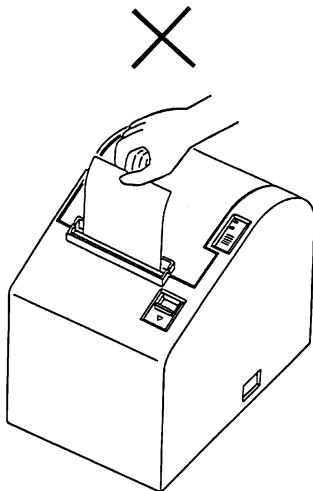
Steuerbefehle	Hexadezimal-Codes	Funktion
HT	09	Horizontaler Tabulator
LF	0A	Zeilenvorschub drucken
CR	0D	Wagenrücklauf
FF	0C	Seiten-Modus drucken und zurückschalten
DLE EOT	10 04	Echtzeitübertragung des Status
DLE ENQ	10 05	Echtzeitanforderung an Drucker
CAN	18	Druckdaten im Seiten-Modus löschen
ESC FF	1B FF	Druckdaten im Seiten-Modus drucken
ESC SP	1B 20	Zeichenabstand einstellen
ESC !	1B 21	Universal-Druckmodus bestimmen
ESC #	1B 23	Stellung der Memory-Switches festlegen
ESC \$ <i>nL nH</i>	1B 24 <i>nL nH</i>	Absolute Positionierung
ESC %	1B 25	Download-Zeichensatz EIN / AUS
ESC &	1B 26	Download-Zeichensatz bestimmen
ESC *	1B 2A	Bitmap-Grafik bestimmen
ESC -	1B 2D	Unterstreichen EIN / AUS
ESC 2	1B 32	1/6 Zoll Zeilenvorschub einstellen
ESC 3	1B 33	Zeilenvorschub einstellen
ESC =	1B 3D	Peripheriegeräte wählen
ESC ?	1B 3F	Download-Zeichen löschen
ESC @	1B 40	Drucker initialisieren
ESC D	1B 44	Horizontale Tabulatorposition setzen
ESC E	1B 45	Fettdruck EIN / AUS
ESC G	1B 47	Schattendruck EIN / AUS
ESC J	1B 4A	Druck und Papiereinzug
ESC L	1B 4C	Seiten-Modus wählen
ESC R	1B 52	Internationalen Zeichensatz wählen
ESC S	1B 53	Standard-Modus wählen
ESC T	1B 54	Druckrichtung im Druck-Modus wählen
ESC V	1B 56	90° Zeichendrehung EIN / AUS
ESC W	1B 57	Druckbereich im Seiten-Modus einstellen
ESC \	1B 5C	Relative Positionierung
ESC a	1B 61	Position ausrichten
ESC c3	1B 63 33	Wahl eines Kein-Papier-Detektors für Ausgabe eines Kein-Papier-Signals
ESC c4	1B 63 34	Keinen gültigen Papier-Detektor bei Druckstop wählen
ESC c5	1B 63 35	Tasten des Bedienfeldes EIN / AUS
ESC d	1B 64	Druck und Papieervorschub "n" Zeilen
ESC p	1B 70	Impulserzeugung bestimmen
ESC t	1B 74	Zeichentabelle wählen

Steuerbefehle	Hexadezimal-Codes	Funktion
ESC {	1B 7B	Invertierter Druck EIN / AUS
ESC ¥ <i>nL nH</i>	1B 9F <i>nL nH</i>	Relativen Druck bestimmen
FS <i>p n m</i>	1C 70 <i>n m</i>	Das NV-Bitbild drucken
FS <i>g n</i>	1C 71	Das NV-Bitbild definieren
GS !	1D 21	Zeichengröße bestimmen
GS \$	1D 24	Absolute Position der vertikalen Druckrichtung der Zeichen im Seiten-Modus bestimmen
GS *	1D 2A	Download Bitmap-Grafik bestimmen
GS /	1D 2F	Download Bitmap-Grafik drucken
GS :	1D 3A	Makrodefinition starten / beenden
GS B	1D 42	Reversdruck EIN / AUS
GS E <i>n</i>	1D 45 <i>n</i>	Die Druckgeschwindigkeit und die Kopf-Energierzeit Wählen
GS H	1D 48	Druckposition der HRI-Zeichen wählen
GS I	1D 49	Drucker ID übertragen
GS L	1D 4C	Linken Rand setzen
GS P	1D 50	Grundlegenden Berechnungsabstand einstellen
GS V	1D 56	Papier abschneiden
GS W	1D 57	Druckbereich einstellen
GS \	1D 5C	Relative Position der vertikalen Druckrichtung der Zeichen im Seiten-Modus bestimmen
GS ^	1D 5E	Makro ausführen
GS a	1D 61	Automatische Statusübertragung EIN / AUS
GS b <i>n</i>	1D 62 <i>n</i>	Glättung aktivieren/löschen
GS f	1D 66	HRI-Zeichensatz wählen
GS h	1D 68	Barcode-Höhe einstellen
GS k	1D 6B	Barcode drucken
GS r	1D 72	Status übertragen
GS w	1D 77	Laterale Größe des Barcodes einstellen

8. Verhindern und Beheben von Papierstau

8-1. Verhindern von Papierstau

Das Papier soll beim Ausgeben und vor dem Schneiden nicht berührt werden. Wenn das Papier beim Ausgeben gedrückt oder gezogen wird, kann ein Papierstau, ein Abschneidfehler oder ein Zeilenvorschubfehler verursacht werden.



8-2. Beheben von Papierstau

Wenn ein Papierstau auftritt, beheben Sie ihn wie folgt.

- (1) Stellen Sie den Netzschalter auf Aus, um den Drucker auszuschalten.
- (2) Ziehen Sie den Hebel nach vorne, um die Druckerabdeckung zu öffnen.
Hinweis: Stellen Sie sicher, daß der Hebel gezogen wird, bis er am Anschlag stoppt. Wenn der Hebel nicht bis zum Anschlag gezogen wird, kann es sein, daß sich die Druckerabdeckung nicht öffnen läßt.
- (3) Entfernen Sie das gestaute Papier.
Hinweis: Achten Sie darauf, den Drucker beim Entfernen des gestauten Papiers nicht zu beschädigen. Insbesondere der Thermaldruckkopf läßt sich leicht beschädigen; achten Sie darauf, ihn nicht zu berühren.

(4) Stellen Sie sicher, daß das Papier gerade ausgerichtet ist, und schließen Sie die Druckerabdeckung vorsichtig.

Hinweis 1: Stellen Sie sicher, daß das Papier gerade ausgerichtet ist. Wenn die Druckerabdeckung bei schief liegendem Papier geschlossen wird, kann ein Papierstau auftreten.

Hinweis 2: Sperren Sie die Druckerabdeckung durch Drücken auf die Mitte der Abdeckung. Wenn ein anderer Teil der Abdeckung als die Mitte gedrückt wird, kann die Abdeckung nicht richtig geschlossen werden. Dadurch kann u.U. der Druck unmöglich werden.

(5) Stellen Sie den Netzschalter in Ein-Stellung, um den Drucker einzuschalten. Stellen Sie sicher, daß die ERROR-LED nicht leuchtet.

Hinweis: Während die ERROR-LED leuchtet, akzeptiert der Drucker keine Befehle wie Druckbefehl; stellen Sie deshalb sicher, daß die Abdeckung richtig geschlossen ist.

9. Testdruck-Verfahren

9-1. Erstellen eines Testdrucks

Zum Starten des Testdrucks schalten Sie den Drucker mit dem Netzschalter aus, setzen das Papier richtig ein, und schalten dann den Drucker bei gedrückt gehaltener FEED-Knopf ein.

Der Testdruck stoppt automatisch nach dem Ausdruck der vorgegebenen Druckmenge, und der Drucker schneidet das Papier ab.

Beispiel eines Testdrucks

```

ROM version  TS5 1.4

DIP Switch
SW1 12345678      SW2 12345678
ON          ON      **
OFF *****      OFF **** **

SW1 1 = Comm. error   : Print "?"
    2 = Buffer Size   : 4k bytes
    3 = Handshake     : DTR
    4 = Data Bits     : 8 bits
    5-6 = Parity      : None
    7-8 = Baud Rate   : 19200 bps

SW2 1 = Busy Condition : All
    2 = <FF>           : Feed & Cut
    3-4 = Print Density : Level 4
    5 = Emulation      : Star
    7 = #6 pin reset   : Invalid
    8 = #25 pin reset  : Invalid

! " # $ % & ' ( ) * + , - . / 0 1 2 3 4 5 6 7
8 9 : ; < = > ? @ A B C D E F G H I J K L M N O
P Q R S T U V W X Y Z [ \ ] ^ _ ` a b c d e f g
h i j k l m n o p q r s t u v w x y z { | } ~ *

```

9-2. Sedezimaler Datenausdruck

Die Druckerabdeckung öffnen und den Drucker bei gedrückt gehaltenem FEED-Knopf einschalten. Nach Schließen der Abdeckung verläuft die Drucker Ausgabe im Hedezimalformat.

Die empfangenen Daten werden wie folgt ausgedruckt.

```

--- HEX DUMP PRINTING ---

000000 20 21 22 23 24 25 26 27  !"#$%&'
000008 28 29 2A 2B 2C 2D 2E 2F  ()*+, -./
000010 30 31 32 33 34 35 36 37  01234567
      {-----}
Adresse Sedezimale Daten ASCII-Daten

```

10. Regelmäßige Reinigung

Die Druckzeichen können durch Ansammlung von Papierstaub und anderem Schmutz unscharf werden. Um das zu verhindern, muß im Papierhalter und in der Papiertransportstufe angesammelter Staub von Zeit zu Zeit entfernt werden. Eine derartige Reinigung sollte etwa einmal im Monat ausgeführt werden.

10-1. Reinigen des Thermalkopfes

Zum Entfernen von schwärzlichem Staub auf der Oberfläche des Thermalkopfes diesen mit Isopropylalkohol (IPA) abwischen.

Hinweis: Der Thermalkopf läßt sich leicht beschädigen. Zum Abwischen immer einen sehr weichen Lappen verwenden und sicherstellen, daß er nicht zerkratzt wird.

10-2. Reinigen des Papierhalters

Verwenden Sie einen weichen Lappen zur Entfernung von Papierstaub vom Papierhalter und aus der Papiertransportstufe.

INDICE

1. Descrizione	73
2. Identificazione delle parti e nomenclatura	74
3. Parti soggette a consumo e trasformatore CA	76
4. Cavi di collegamento e trasformatore CA	77
4-1. Collegamento del cavo interfaccia	77
4-2. Collegamento del cavo di controllo periferiche	78
4-3. Collegamento del trasformatore CA opzionale	79
4-4. Accensione	80
5. Pannello di controllo	81
5-1. Interruttore PAPER FEED	81
5-2. Spia POWER	81
5-3. Spia ERROR	81
6. Caricamento della carta	82
6-1. Caricamento di un nuovo rotolo di carta	82
6-2. Rimozione della carta rimanente	84
7. Elenco dei comandi	85
7-1. Modo Star	85
7-2. Modo ESC/POS	89
8. Prevenzione e soluzione degli inceppamenti della carta	91
8-1. Prevenzione degli inceppamenti della carta	91
8-2. Eliminazione degli inceppamenti della carta	91
9. Metodo per la stampa di prova	93
9-1. Produzione di uno stampato di prova	93
9-2. Scaricamento esadecimale	93
10. Pulizia periodica	94
10-1. Pulizia della testina termica	94
10-2. Pulizia del comparto carta	94
APPENDICE	95

L'Appendice appare solo nella sezione in inglese di questo manuale.

Visitare il seguente indirizzo URL

http://www.star-micronics.co.jp/service/sp_sup_e.htm

per accedere alla versione più recente del manuale.

1. Descrizione

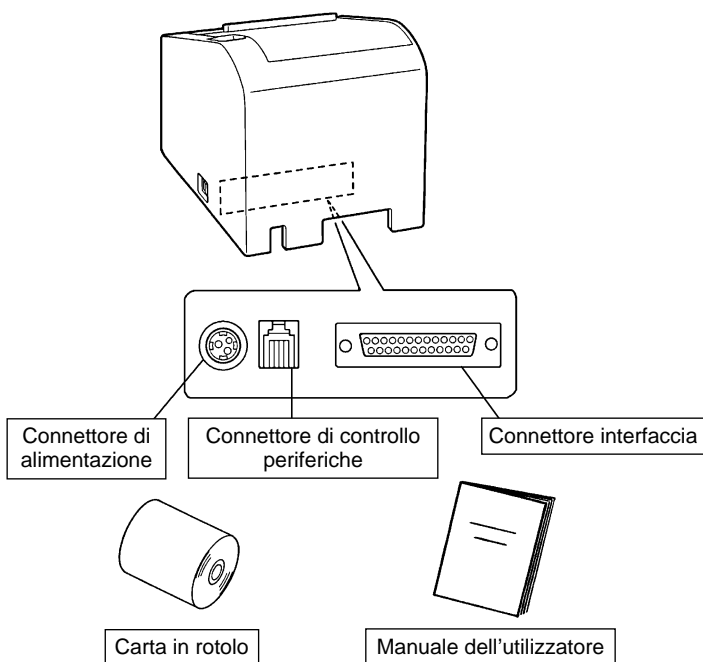
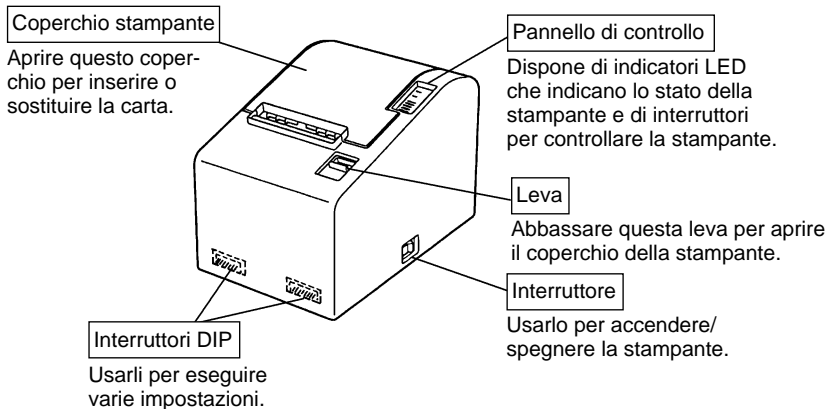
Questo manuale spiega come usare la stampante termica TSP552 e fornisce istruzioni per un uso sicuro e per la prevenzione di problemi e guasti.

Prima di usare la stampante, leggere attentamente questo manuale per assicurare un uso ottimale.

Le caratteristiche principali della stampante sono come segue:

1. Stampa ad alta velocità (mass. 105 mm/sec, 28 righe al secondo quando l'avanzamento di riga standard è impostato su 3,75 mm)
2. Stampa di qualità (8 punti/mm) grazie alla testina di stampa termica a linea di alta densità.
3. Rumore ridotto grazie alla Tecnologia in linee termica.
4. Possibilità di stampare marchi, coupon e codici a barre.
5. Densità di stampa selezionabile tramite interruttori DIP.
6. Taglierina automatica fornita di serie.
7. Driver unità periferica incorporato che permette il controllo di due unità periferiche.
8. Grande facilità di caricamento della carta grazie alla struttura di inserimento a caduta.
9. Struttura di inserimento a caduta che facilita la manutenzione.
10. Formato compatto che richiede poco spazio per l'installazione.
11. Supporto dei comandi ESC/POS™.

2. Identificazione delle parti e nomenclatura



Scelta di un luogo per la stampante

Prima di disimballare la stampante, decidere dove si desidera installarla. Tenere presenti i seguenti punti.

- ✓ Scegliere una superficie stabile e in piano, dove la stampante non sia esposta a vibrazioni.
- ✓ La presa di corrente che si intende usare per la stampante deve essere vicina e libera da ostacoli.
- ✓ La stampante deve essere abbastanza vicina al computer da permettere il collegamento tra i due.
- ✓ Assicurarsi che la stampante non sia esposta alla luce solare diretta.
- ✓ Assicurarsi che la stampante sia lontana da caloriferi e altre fonti di calore elevato.
- ✓ Assicurarsi che l'area circostante sia pulita, asciutta e priva di polvere.
- ✓ Assicurarsi che la stampante sia collegata ad una presa di corrente affidabile. Non deve essere la stessa presa di corrente di copiatrici, frigoriferi e altre apparecchiature che causano picchi di corrente.
- ✓ Assicurarsi che la stanza dove si usa la stampante non sia troppo umida.

3. Parti soggette a consumo e trasformatore CA

Quando le parti soggette a consumo si sono esaurite, usare quelle specificate nella seguente tabella. Assicurarsi di usare il trasformatore CA specificato nella tabella.

L'uso di parti soggette a consumo o di un trasformatore CA diversi da quanto specificato nella tabella può causare danni alla stampante, incendi o scosse elettriche.

Nome della parte	Specifiche
Carta in rotolo	Carta termica Larghezza: $80 \begin{smallmatrix} 0 \\ -1,0 \end{smallmatrix}$ mm Diametro esterno rullo: $\varnothing 83$ mm o meno Diametro esterno nucleo: $\varnothing 18 \begin{smallmatrix} +0,5 \\ 0 \end{smallmatrix}$ mm Diametro interno nucleo: $\varnothing 12 \pm 0,5$ mm Carta consigliata (carta termica generica) TF50KS-E2C (Nippon Paper Industries) PD-150R (Oji Paper Co., Ltd.) P220AG (Mitsubishi Paper Mills Limited) Carta consigliata (carta conservabile per lunghi periodi) PD-160R (Oji Paper Co., Ltd.) HP220AB-1 (Mitsubishi Paper Mills Limited) HP220A (Mitsubishi Paper Mills Limited)
Trasformatore CA (opzionale)	Ingresso: Da 90 a 264 V CA Uscita: 24 V CC

Importante!

Accedere alla seguente URL per informazioni sulla carta consigliata.
<http://www.star-micronics.co.jp/>

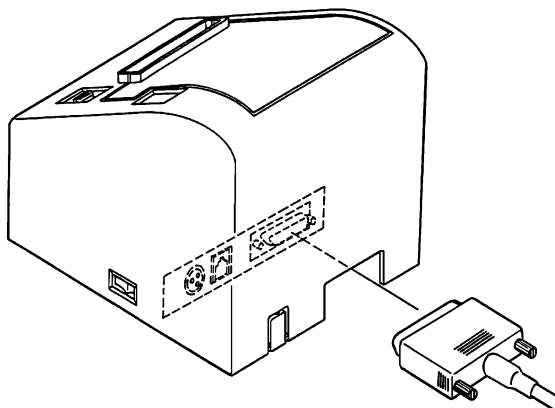
4. Cavi di collegamento e trasformatore CA

4-1. Collegamento del cavo interfaccia

Nota: Prima di collegare/scollegare il cavo interfaccia, assicurarsi che la stampante e tutti i dispositivi collegati alla stampante siano spenti. Inoltre assicurarsi che la spina del cavo di alimentazione sia scollegata dalla presa di corrente.

- (1) Collegare il cavo interfaccia al connettore sul pannello posteriore della stampante.
- (2) Fissare il connettore con le viti.
- (3) Far passare il cavo interfaccia attraverso il foro sul fondo del coperchio stampante e quindi collocare la stampante in posizione.

Nota: Assicurarsi che il cavo interfaccia passi attraverso il foro. Altrimenti il cavo potrebbe essere schiacciato dalla stampante, con conseguenti danni al cavo.

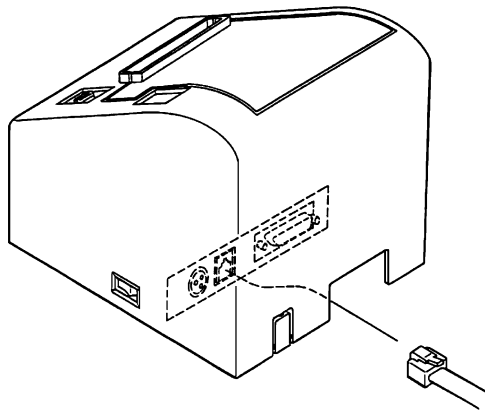


4-2. Collegamento del cavo di controllo periferiche

Nota: Prima di collegare/scollegare il cavo di controllo periferiche, assicurarsi che la stampante e tutti i dispositivi collegati alla stampante siano spenti. Inoltre assicurarsi che la spina del cavo di alimentazione sia scollegata dalla presa di corrente.

(1) Collegare il cavo di controllo periferiche al connettore sul pannello posteriore della stampante e farlo passare attraverso il foro sul fondo del coperchio stampante.

Nota: Assicurarsi che il cavo di controllo periferiche passi attraverso il foro. Altrimenti il cavo potrebbe essere schiacciato dalla stampante, con conseguenti danni al cavo.



4-3. Collegamento del trasformatore CA opzionale

Nota: Prima di collegare/scollegare il trasformatore CA, assicurarsi che la stampante e tutti i dispositivi collegati alla stampante siano spenti. Inoltre assicurarsi che la spina del cavo di alimentazione sia scollegata dalla presa di corrente.

(1) Collegare il trasformatore CA al cavo di alimentazione.

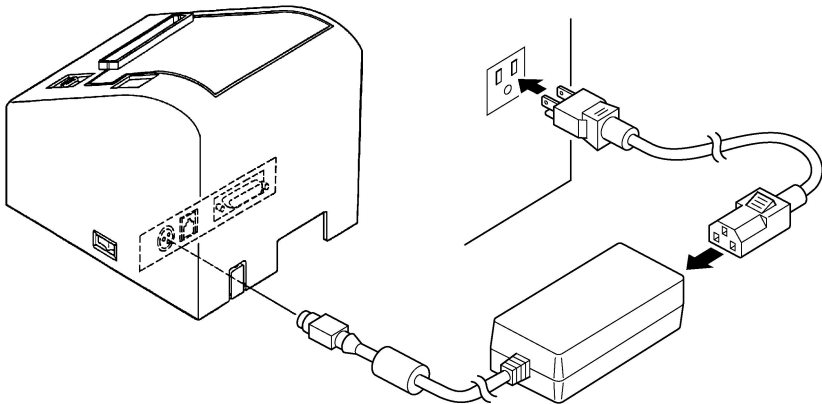
Nota: Usare solo il trasformatore CA e cavo di alimentazione standard.

(2) Tagliare via la copertura del foro per il cavo sul coperchio stampante usando delle cesoie.

(3) Far passare il cavo di alimentazione attraverso il foro e collegare il connettore alla stampante.

Nota: Assicurarsi che il cavo di alimentazione passi attraverso il foro. Altrimenti il cavo potrebbe essere schiacciato dalla stampante, con conseguenti danni al cavo.

(4) Collegare la spina del cavo di alimentazione ad una presa di corrente.

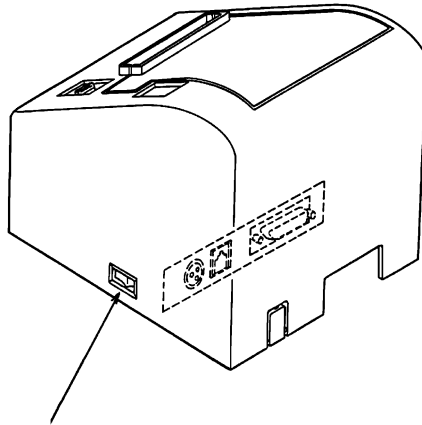


4-4. Accensione

Assicurarsi che il trasformatore CA sia stato collegato come indicato nella sezione 4-3.

(1) Regolare su ON l'interruttore di alimentazione situato sul lato della stampante.

La spia POWER sul pannello di controllo si illumina.



Interruttore di alimentazione

Importante!

Consigliamo di scollegare la stampante dalla presa di corrente quando si prevede di non usarla per un lungo periodo. Per questo motivo, la stampante deve essere collocata in modo che la presa di corrente sia vicina e facilmente accessibile.

5. Pannello di controllo

5-1. Interruttore PAPER FEED

A ciascuna pressione di questo interruttore la carta avanza di una riga. Se si tiene premuto l'interruttore, la carta avanza continuamente.

Nota: Questo interruttore non funziona se non è inserita carta.

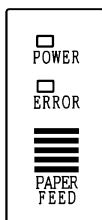
5-2. Spia POWER

Questa spia a LED si illumina quando l'interruttore di alimentazione è attivato e la stampante riceve alimentazione.

5-3. Spia ERROR

Questa spia a LED si illumina o lampeggia quando si verifica uno dei seguenti errori.

Errore	Spia
Carta assente (fine carta) individuata	Illuminata stabilmente
Coperchio stampante aperto	
Interruzione stampa a causa di surriscaldamento della testina di stampa termica	
Alimentazione anomala	
Carta vicina alla fine individuata	Lampeggia



6. Caricamento della carta

6-1. Caricamento di un nuovo rotolo di carta

(1) Regolare l'interruttore di alimentazione su OFF per spegnere la stampante.

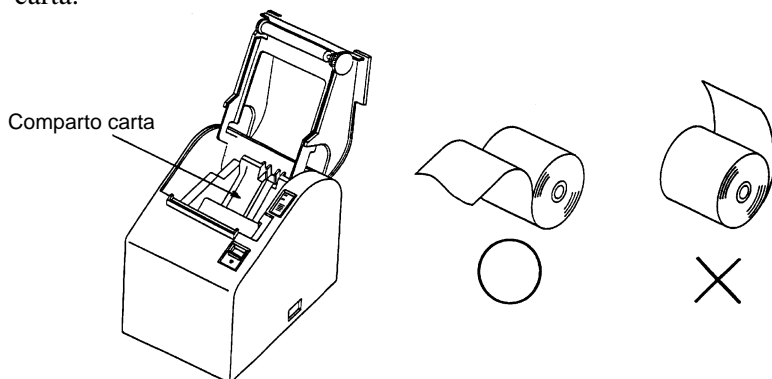
(2) Tirare la leva verso di sé per aprire il coperchio stampante.

Nota: Assicurarsi di tirare la leva fino a che si arresta al fermo. Se la leva non viene tirata fino al fermo, il coperchio stampante può non aprirsi.

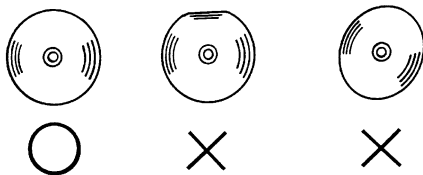
(3) Togliere l'adesivo dall'estremità della carta.

Nota: Assicurarsi di rimuovere completamente la parte adesiva, perché la stampa non può essere eseguita su quella parte.

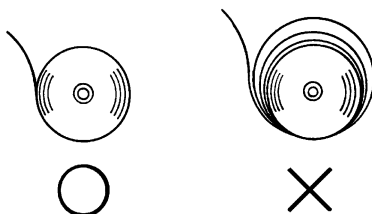
(4) Orientare la carta come indicato sotto e inserirla delicatamente nel comparto carta.



Nota 1: Assicurarsi che il rotolo non sia deformato. Se si usa un rotolo come quelli mostrati sotto, ne possono risultare problemi di funzionamento.

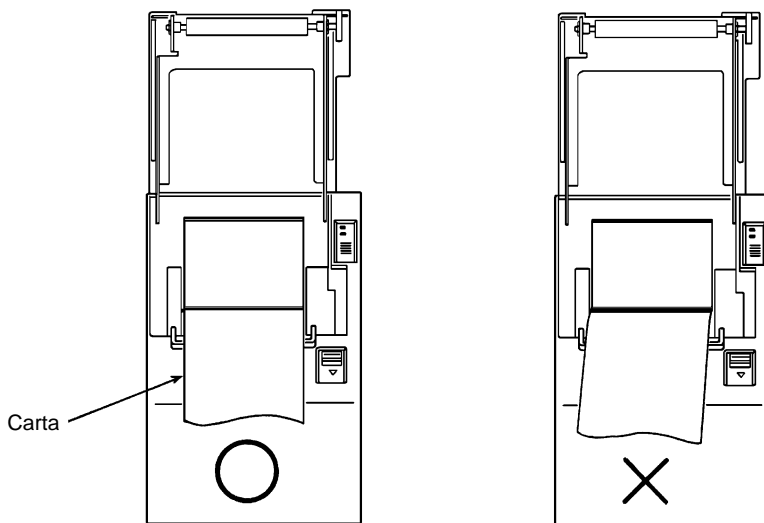


Nota 2: Se la carta è allentata come mostrato sotto dopo che è stata inserita nel comparto carta, tenderla bene.

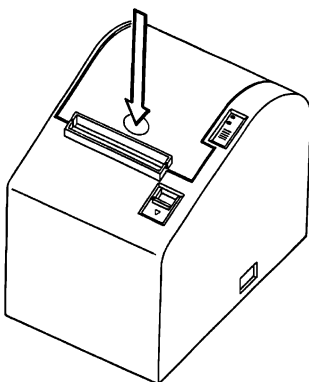


(5) Assicurarsi che la carta sia collocata ben diritta e quindi chiudere delicatamente il coperchio stampante.

Nota 1: Assicurarsi che la carta sia ben diritta. Se si chiude il coperchio stampante con la carta storta come mostrato sotto, si può verificare un inceppamento della carta.



Nota 2: Bloccare il coperchio della stampante premendo sul centro del coperchio (indicato dalla freccia nella figura sotto). Se si preme una parte del coperchio diversa dal centro, il coperchio può non bloccarsi correttamente. Questo a volte rende impossibile la stampa.



(6) Regolare su ON l'interruttore di alimentazione per accendere la stampante. Assicurarsi che la spia ERROR non sia illuminata.

Nota: Mentre la spia ERROR è illuminata, la stampante non accetta alcun comando come il comando di stampa, per cui assicurarsi che il coperchio della stampante sia bloccato correttamente.

(7) Dare il comando di taglio per tagliare l'estremità della carta.

6-2. Rimozione della carta rimanente

(1) Regolare l'interruttore di alimentazione su OFF per spegnere la stampante.

(2) Tirare la leva verso di sé per aprire il coperchio della stampante.

Nota: Assicurarsi di tirare la leva fino a che si arresta al fermo. Se la leva non viene tirata fino al fermo, il coperchio stampante può non aprirsi.

(3) Estrarre la carta rimanente.

7. Elenco dei comandi

Questa stampante supporta due diversi modi di comando: il modo Star e il modo ESC/POS.

Questo capitolo fornisce tutti i comandi supportati dalla stampante.

Importante!

Accedere alla seguente URL per la versione più recente di questo manuale e per aggiornamenti sui comandi supportati: http://www.star-micronics.co.jp/service/sp_sup_e.htm

7-1. Modo Star

Comandi di selezione caratteri

Codici di controllo	Codici esadecimali	Funzione
<ESC> “R” n	1B 52 n	Seleziona un set di caratteri internazionali
<ESC> <GS> t n	1B 1D t n	Seleziona la pagina “n” specificata nella tabella codici carattere.
<ESC> “/” “1” <ESC> “/” <1>	1B 2F 31 1B 2F 01	Seleziona lo zero barrato
<ESC> “/” “0” <ESC> “/” <0>	1B 2F 30 1B 2F 00	Seleziona lo zero normale
<ESC> “b” n1 n2 n3 n4 dl ... <RS>	1B 62 n1 n2 n3 n4 dl ... 1E	Seleziona la stampa dei codici a barre
<ESC> “M”	1B 4D	Seleziona la stampa corpo 12 punti
<ESC> “p”	1B 70	Seleziona la stampa corpo 14 punti
<ESC> “P”	1B 50	Seleziona la stampa corpo 15 punti
<ESC> “.”	1B 3A	Seleziona la stampa corpo 16 punti
<ESC> <SP> n	1B 20 n	Imposta la spaziatura tra i caratteri
<SO>	0E	Imposta la stampa a doppia larghezza.
<DC4>	14	Annula la stampa a larghezza ingrandita.
<ESC> “W” n	1B 57 n	Imposta il fattore d’ingrandimento per la larghezza del carattere.
<ESC> <SO>	1B 0E	Imposta la stampa a doppia altezza.
<ESC> <DC4>	1B 14	Annula la stampa ad altezza ingrandita.
<ESC> “h” n	1B 68 n	Imposta il fattore d’ingrandimento per l’altezza del carattere.
<ESC> “_” “1” <ESC> “_” <1>	1B 2D 31 1B 2D 01	Seleziona lo stile sottolineato

Codici di controllo	Codici esadecimali	Funzione
<ESC> “_” “0” <ESC> “_” <0>	1B 2D 30 1B 2D 00	Annulla lo stile sottolineato
<ESC> “_” “1” <ESC> “_” <1>	1B 5F 31 1B 5F 01	Seleziona lo stile barrato
<ESC> “_” “0” <ESC> “_” <0>	1B 5F 30 1B 5F 00	Annulla lo stile barrato
<ESC> “4”	1B 34	Seleziona la stampa evidenziata
<ESC> “5”	1B 35	Annulla la stampa evidenziata
<SI>	0F	Seleziona la stampa rovesciata
<DC2>	12	Annulla la stampa rovesciata
<ESC> “E”	1B 45	Seleziona la stampa enfatizzata
<ESC> “F”	1B 46	Annulla la stampa enfatizzata

Comandi di impostazione del formato pagina

Codici di controllo	Codici esadecimali	Funzione
<ESC> “C” <i>n</i>	1B 43 <i>n</i>	Imposta la lunghezza pagina in righe
<ESC> “C” <0> <i>n</i>	1B 43 00 <i>n</i>	Imposta la lunghezza pagina in pollici
<ESC> “N” <i>n</i>	1B 4E <i>n</i>	Imposta il margine inferiore
<ESC> “O”	1B 4F	Annulla il margine inferiore
<ESC> “I” <i>n</i>	1B 6C <i>n</i>	Imposta il margine sinistro
<ESC> “Q” <i>n</i>	1B 51 <i>n</i>	Imposta il margine destro

Comandi di spostamento della posizione di stampa

Codici di controllo	Codici esadecimali	Funzione
<LF>	0A	Avanzamento riga
<ESC> “a” <i>n</i>	1B 61 <i>n</i>	Avanzamento carta di <i>n</i> righe
<FF>	0C	Avanzamento pagina
<HT>	09	Tabulazione orizzontale
<VT>	0B	Tabulazione verticale
<ESC> “z” “1” <ESC> “z” <1>	1B 7A 31 1B 7A 01	Imposta l’interlinea a 4 mm
<ESC> “0”	1B 30	Imposta l’interlinea a 3 mm

Codici di controllo	Codici esadecimali	Funzione
<ESC> “J” <i>n</i>	1B 4A <i>n</i>	Singolo spostamento in avanti di <i>n</i> /4 mm
<ESC> “I” <i>n</i>	1B 49 <i>n</i>	Singolo spostamento in avanti di <i>n</i> /8 mm
<ESC> “B” <i>n1 n2 ... <0></i>	1B 42 <i>n1 n2 ... 00</i>	Imposta tabulazioni verticali
<ESC> “D” <i>n1 n2 ... <0></i>	1B 44 <i>n1 n2 ... 00</i>	Imposta tabulazioni orizzontali
<ESC> <GS> “A” <i>n1 n2</i>	1B 1D <i>n1 n2</i>	Impostazione posizione assoluta
<ESC> <GS> “R” <i>n1 n2</i>	1B 1D 52 <i>n1 n2</i>	Impostazione posizione relativa
<ESC> <GS> “a” <i>n</i>	1B 1D 61 <i>n</i>	Allineament

Comandi di stampa di grafica a matrice di punti

Codici di controllo	Codici esadecimali	Funzione
<ESC> “K” <i>n <0></i> <i>m1 m2 ...</i>	1B 4B <i>n 00 m1 m2</i> <i>...</i>	Stampa la grafica a densità normale
<ESC> “L” <i>n1 n2</i> <i>m1 m2 ...</i>	1B 4C <i>n1 n2 m1 m2</i> <i>...</i>	Stampa la grafica ad alta densità
<ESC> “k” <i>n <0> m1 ...</i>	1B 6B <i>n 00 m1 ...</i>	Stampa la grafica a densità fine
<ESC> “X” <i>n1 n2</i>	1B 58 <i>n1 n2</i>	Stampa la grafica a densità fine

Comandi di stampa dei caratteri trasferibili

Codici di controllo	Codici esadecimali	Funzione
<ESC> “&” “1” “1” <i>n m1 m2 ... m48</i>	1B 26 31 31 <i>n</i> <i>m1 m2 ... m48</i>	Definisce i caratteri trasferibili
<ESC> “&” <1> <1> <i>n m1 m2 ... m48</i>	1B 26 01 01 <i>n m1 m2 ... m48</i>	
<ESC> “&” “1” “0” <i>n</i>	1B 26 31 30 <i>n</i>	Cancella un carattere trasferibile
<ESC> “&” <1> <0> <i>n</i>	1B 26 01 00 <i>n</i>	
<ESC> “%” “1” <ESC> “%” <1>	1B 25 31 1B 25 01	Abilita un set di caratteri trasferibili
<ESC> “%” “0” <ESC> “%” <0>	1B 25 30 1B 25 00	Disabilita un set di caratteri trasferibili
<ESC> <GS> “*” <i>xy</i>	1B 1D 2A 78 79	Definizione immagine di bit di scaricamento
<ESC> <GS> “/” <i>m</i>	1B 1D 2F 6D	Stampa immagine di bit di scaricamento

Comandi di controllo di unità periferiche

Codici di controllo	Codici esadecimali	Funzione
<ESC> <BEL> <i>n1 n2</i>	1B 07 <i>n1 n2</i>	Definisce l'ampiezza del segnale di attivazione dell'unità periferica #1
<BEL>	07	Invia un segnale all'unità periferica #1
<FS>	1C	Invia subito un segnale all'unità periferica #1
	19	Invia subito un segnale all'unità periferica #2
<SUB>	1A	Invia subito un segnale all'unità periferica #2

Comandi di controllo della taglierina automatica

Codici di controllo	Codici esadecimali	Funzione
<ESC> "d" <i>n</i>	1B 64 <i>n</i>	Invia alla taglierina automatica un comando di taglio parziale

Altri comandi

Codici di controllo	Codici esadecimali	Funzione
<CAN>	18	Annulla l'ultima riga e inizializza immediatamente la stampante
<DC3>	13	Deseleziona la stampante
<DC1>	11	Imposta la modalità di selezione
<RS>	1E	Fa emettere un segnale acustico al cicalino
<ESC> "@"	1B 40	Inizializza la stampante
<ENQ>	05	Interrogazione stampante (Interrogazione di stato)
<EOT>	04	Interrogazione di stato vicino fine
<ESC> "?" <LF> <NUL>	1B 3F 0A 00	Reset hardware stampante (Esegue la stampa di prova)
<ESC> "8" <i>n1 n2</i>	1B 38 <i>n1 n2</i>	Registra uno schema di marchio.
<ESC> "9" <i>n1 n2</i>	1B 39 <i>n1 n2</i>	Stampa uno schema di marchio.

7-2. Modo ESC/POS

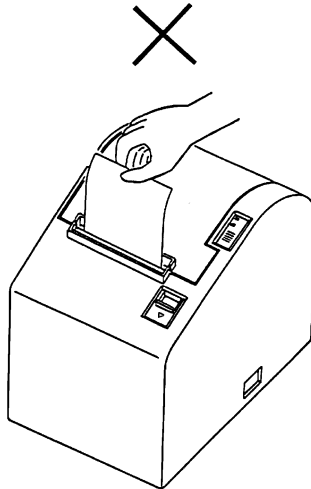
Codice di controllo	Codice esadecimale	Funzione
HT	09	Tabulazione orizzontale
LF	0A	Avanzamento riga
CR	0D	Ritorno carrello
FF	0C	Stampa in modo pagina e ritorno
DLE EOT	10 04	Trasmissione in tempo reale dello stato
DLE ENQ	10 05	Interrogazione in tempo reale della stampante
CAN	18	Cancella i dati di stampa in modo pagina
ESC FF	1B FF	Stampa i dati in modo pagina
ESC SP	1B 20	Imposta il numero di spazi alla destra del carattere
ESC !	1B 21	Imposta il modo di stampa universale
ESC #	1B 23	Imposta l'interruttore di memoria
ESC \$ nL nH	1B 24 nL nH	Imposta la posizione di stampa assoluta
ESC %	1B 25	Imposta/annulla il set di caratteri trasferibili
ESC &	1B 26	Definisce i caratteri trasferibili
ESC *	1B 2A	Seleziona il modo grafico bitmap
ESC -	1B 2D	Attiva/disattiva la sottolineatura
ESC 2	1B 32	Imposta l'interlinea a 1/6 di pollice
ESC 3	1B 33	Imposta il valore dell'interlinea
ESC =	1B 3D	Seleziona l'unità periferica
ESC ?	1B 3F	Cancella i caratteri trasferibili
ESC @	1B 40	Inizializza la stampante
ESC D	1B 44	Imposta la posizione di tabulazione orizzontale
ESC E	1B 45	Attiva/disattiva la stampa enfaticata
ESC G	1B 47	Attiva/disattiva la stampa in grassetto
ESC J	1B 4A	Stampa e avanzamento carta
ESC L	1B 4C	Seleziona il modo pagina
ESC R	1B 52	Seleziona i caratteri internazionali
ESC S	1B 53	Seleziona il modo standard
ESC T	1B 54	Seleziona la direzione di stampa del carattere nel modo di stampa
ESC V	1B 56	Attiva/disattiva la rotazione di 90° del carattere
ESC W	1B 57	Definisce l'area di stampa nel modo pagina
ESC \	1B 5C	Imposta la posizione di stampa relativa
ESC a	1B 61	Allinea la posizione di stampa
ESC c3	1B 63 33	Selezione del rivelatore carta assente per emissione segnale carta assente
ESC c4	1B 63 34	Attiva il rivelatore di carta non valida all'arresto della stampa
ESC c5	1B 63 35	Abilita/disabilita i tasti sul pannello di controllo
ESC d	1B 64	Stampa e avanzamento carta di "n" righe
ESC p	1B 70	Definisce la generazione dell'impulso

Codice di controllo	Codice esadecimale	Funzione
ESC t	1B 74	Seleziona la tabella dei codici carattere
ESC {	1B 7B	Attiva/disattiva la stampa rovesciata
ESC ¥ <i>nL nH</i>	18 9F <i>nL nH</i>	Designa la stampa relativa
FS p <i>n m</i>	1C 70 <i>n m</i>	Stampa immagine di bit NV
FS g <i>n</i>	1C 71	Definisce immagine di bit NV
GS !	1D 21	Imposta la dimensione del carattere
GS \$	1D 24	Imposta la posizione di stampa assoluta dei caratteri in direzione verticale in modo pagina
GS *	1D 2A	Definisce la grafica bitmap trasferibile
GS /	1D 2F	Stampa la grafica bitmap trasferibile
GS :	1D 3A	Inizia/termina la definizione della macro
GS B	1D 42	Attiva/disattiva la stampa all'indietro
GS E <i>n</i>	1D 45 <i>n</i>	Seleziona la velocità di stampa e il tempo di alimentazione
GS H	1D 48	Seleziona la posizione di stampa dei caratteri HRI
GS I	1D 49	Trasmissione dell'ID della stampante
GS L	1D 4C	Imposta il margine sinistro
GS P	1D 50	Imposta il passo di stampa di base calcolato
GS V	1D 56	Taglio carta
GS W	1D 57	Definisce l'area di stampa
GS \	1D 5C	Imposta la posizione di stampa relativa dei caratteri in direzione verticale in modo pagina
GS ^	1D 5E	Esegue la macro
GS a	1D 61	Abilita/disabilita la trasmissione automatica dello stato
GS b <i>n</i>	1D 62 <i>n</i>	Impostazione/cancellazione arrotondamento
GS f	1D 66	Seleziona il font di caratteri HRI
GS h	1D 68	Imposta l'altezza del codice a barre
GS k	1D 6B	Stampa dei codici a barre
GS r	1D 72	Trasmissione dello stato
GS w	1D 77	Imposta l'ampiezza del codice a barre

8. Prevenzione e soluzione degli inceppamenti della carta

8-1. Prevenzione degli inceppamenti della carta

La carta non deve essere toccata durante l'espulsione e prima che sia tagliata. Se si preme o si tira la carta durante l'espulsione si può verificare un inceppamento della carta, un mancato taglio della carta o un avanzamento di riga mancato.



8-2. Eliminazione degli inceppamenti della carta

Se si verifica un inceppamento della carta, eliminarlo come descritto di seguito.

(1) Regolare l'interruttore di alimentazione su OFF per spegnere la stampante.

(2) Tirare la leva verso di sé per aprire il coperchio stampante.

Nota: Assicurarsi di tirare la leva fino a che si arresta al fermo. Se la leva non viene tirata fino al fermo, il coperchio stampante può non aprirsi.

(3) Rimuovere la carta inceppata.

Nota: Fare attenzione a non danneggiare la stampante quando si rimuove la carta inceppata. Poiché la testina di stampa in particolare viene danneggiata facilmente, fare attenzione a non toccarla.

(4) Collocare diritto il rotolo di carta e chiudere delicatamente il coperchio stampante.

Nota 1: Assicurarsi che la carta sia ben diritta. Se si chiude il coperchio stampante con la carta storta, si può verificare un inceppamento della carta.

Nota 2: Bloccare il coperchio della stampante premendo sul centro del coperchio. Se si preme una parte del coperchio diversa dal centro, il coperchio può non bloccarsi correttamente. Questo a volte rende impossibile la stampa.

(5) Regolare su ON l'interruttore di alimentazione per accendere la stampante. Assicurarsi che la spia ERROR non sia illuminata.

Nota: Mentre la spia ERROR è illuminata, la stampante non accetta alcun comando come il comando di stampa, per cui assicurarsi che il coperchio della stampante sia bloccato correttamente.

9. Metodo per la stampa di prova

9-1. Produzione di uno stampato di prova

Per avviare la stampa di prova, regolare su OFF l'interruttore di alimentazione, inserire la carta e quindi regolare l'interruttore di alimentazione su ON tenendo premuto il interruttore FEED.

Quando è stata eseguita una certa quantità di stampa, la stampante taglia la carta e si ferma automaticamente.

Esempio di stampato di prova

```
ROM version   TS5 1.4

DIP Switch
SW1  12345678      SW2  12345678
ON    ON          ON    **
OFF   *****    OFF   **** **

SW1 1 = Comm. error   : Print "?"
    2 = Buffer Size   : 4k bytes
    3 = Handshake     : DTR
    4 = Data Bits     : 8 bits
    5-6 = Parity      : None
    7-8 = Baud Rate   : 19200 bps

SW2 1 = Busy Condition : All
    2 = <FF>           : Feed & Cut
    3-4 = Print Density : Level 4
    5 = Emulation      : Star
    7 = #6 pin reset   : Invalid
    8 = #25 pin reset  : Invalid

! " # $ % & ' ( ) * + , - . / 0 1 2 3 4 5 6 7
8 9 : ; < > ? @ A B C D E F G H I J K L M N O
P Q R S T U V W X Y Z [ \ ] ^ _ ` a b c d e f g
h i j k l m n o p q r s t u v w x y z { | } ~ *

ITALIANO
```

9-2. Scaricamento esadecimale

Aprire il coperchio della stampante e regolare l'interruttore di alimentazione sulla posizione di attivazione tenendo premuto l'interruttore FEED. Dopo che si è chiuso il coperchio della stampante, l'emissione della stampante sarà in formato esadecimale.

I dati ricevuti sono stampati come segue.

```
--- HEX DUMP PRINTING ---

000000 20 21 22 23 24 25 26 27  !"#$%&'
000008 28 29 2A 2B 2C 2D 2E 2F  ()*+, -./
000010 30 31 32 33 34 35 36 37  01234567
      {   }
Indirizzo   Dati esadecimale   Dati ASCII
```

10. Pulizia periodica

I caratteri stampati possono diventare parzialmente poco chiari a causa dell'accumulo di polvere di carta e sporcizia. Per evitare tale problema, è necessario rimuovere periodicamente la polvere di carta accumulata nel comparto carta, nella sezione di trasporto carta e sulla superficie della testina termica. Si consiglia di eseguire questa pulizia una volta al mese.

10-1. Pulizia della testina termica

Per rimuovere la polvere nerastra accumulata sulla superficie della testina di stampa, passarla con alcool (IPA)

Nota: La testina termica si danneggia facilmente, per cui pulirla delicatamente con un panno morbido. Fare attenzione a non graffiarla durante la pulizia.

10-2. Pulizia del comparto carta

Usare un panno morbido per eliminare la polvere di carta dal comparto carta e dalla sezione di trasporto della carta.

Appendix A: Specifications

A-1. General Specifications

- | | |
|-----------------------------|--|
| (1) Printing method | Direct line thermal printing |
| (2) Print speed | 105 mm/s |
| | Note: Print duty is 16.5% or less. |
| (3) Dot density | 8 dots/mm (0.125 mm/dot) |
| (4) Number of print columns | 48 |
| (5) Roll paper | Refer to chapter 3 for details on the recommended paper.
Paper width: $80_{-1.0}^0$ mm
Roll diameter: $\varnothing 83$ mm or less
External diameter of core: $\varnothing 18_{0}^{+0.5}$ mm
Internal diameter of core: $\varnothing 12 \pm 0.5$ mm |
| (6) Cutter | Partial cut (leaving the center of the paper intact) |
| (7) Sensor | Paper end, cover open, paper near end |
| (8) Overall dimension | 142 (W) \times 215 (D) \times 149 (W) (mm) |
| (9) Weight | Approx. 2.2 kg |

A-2. Print Specifications

- | | |
|-------------------------------------|--|
| (1) Print width | 72 mm |
| (2) Character size | 1.25W \times 2.75H (mm) |
| (3) Column pitch | 1.5 mm |
| (4) Character set | Numeric, alphabet, kana, special, ruled line symbols, extended graphic, international, user characters |
| (5) Character enlargement/reduction | double width, double height, double size |

A-3. Interface

- | | |
|---------------|------------------------------------|
| (1) Interface | RS232C serial interface |
| (2) Command | ESC/POS™ commands or Star commands |

A-4. Power supply

(1) AC Adaptor	PS48-24A, switching type
(2) Input	90 to 264V AC, 50/60Hz
(3) Output	24V DC $\pm 5\%$, 2.0A
(4) Plug	3-pin POWER JACK TCP 8927 (Hoshiden brand or equivalent.)

Important!

- *When using a printer power supply other than the optional AC adaptor (PS48-24A), be sure that the following cautions are observed.*
 - *Use a power supply of DC 24 V $\pm 5\%$ and more than 2.0 A.*
 - *Be careful about installing the printer in an area where there is noise. Take the appropriate measures to protect against electrostatic AC line noise, etc.*
 - *The optional cable set can be connected.*
-

A-5. Environmental requirements

(1) Operating	
Temperature	5°C to 40°C
Humidity	10% to 85%
(2) Transport/storage (when packed)	
Temperature	-20°C to 60°C
Humidity	5% to 95%
Note: The maximum wet-bulb temperature must 29°C or less.	

A-6. Reliability

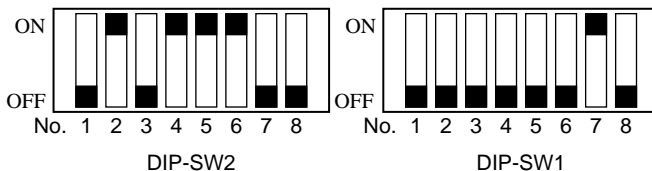
(1) MCBF	37.5 million lines
(2) Printer life	25 million lines
(3) Print head life	120 km (with designated paper)
(4) Cutter life	1.5 million cuttings (with designated paper)

Operating conditions for above reliability

- a) 500 patterns/day
- b) 25 line feeds and 1 cut per pattern
- c) Powered on for 10 hours per day
- d) 340 days/year
- e) Print duty 16.5% or less

Appendix B: Dip Switch Setting

Two DIP switches are provided at the bottom of the printer, and can be set as given in the table below. Be sure to set the power switch to off before changing the settings. It is recommended to use a pointed item like a pen or flat-blade driver screw to change the settings. The settings will become effective when the power switch is set to on again.



DIP-SW 1

Switch	Function	ON	OFF
1	Data receive error	Error is ignored.	“?” is printed.
2	Receive buffer size	45 bytes	4 k bytes
3	Handshaking	XON/XOFF	DTR/DSR
4	Data bit	7 bits	8 bits
5	Parity check	Yes	No
6	Parity	Even	Odd
7	Baud rate	See Table 1.	
8			

DIP-SW 2

Switch	Function	ON	OFF
1	Handshaking conditions (conditions for BUSY)	Receive buffer full	Offline or receive buffer full
2	<FF> Code (Star mode only)	Form Feed	Cut Command
3	Print density	See Table 2.	
4			
5	Command	STAR	ESC/POS
6	Should not be changed (should be set to on).		
7	#6 pin reset signal	Valid	Invalid
8	#25 pin reset signal	Valid	Invalid

Table 1 Baud Rate

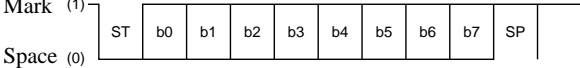
Data rate (bps)	SW1-7	SW1-8
2400	ON	ON
4800	OFF	ON
9600	ON	OFF
19200	OFF	OFF

Table 2 Print Density

Print Density	SW2-3	SW2-4	Contents of Test Print Page
Light	ON	ON	Level 1
↑ (Standard)	OFF	ON	Level 2
↓	ON	OFF	Level 3
Dark	OFF	OFF	Level 4

Appendix C: Interface

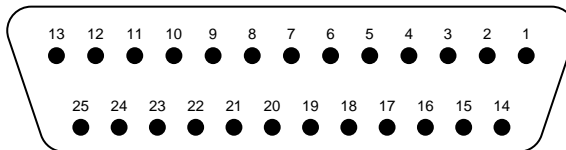
C-1. Interface Specifications

Applicable line	Dedicated direct line
Data rate	Start-stop method 2400, 4800, 9600, 19200 bps (selectable by DIP switches)
Communication	Full-duplex
Synchronization	Asynchronous (start-stop)
Connection	Asynchronous response
Transmission code	7 or 8 (selectable by DIP switches)
Transmission code format	Start bit : 1 bit Stop bit : 1 bit Data bit : 7 or 8 bits (selectable by DIP switches) Parity bit : None, Odd, Even (selectable by DIP switches) Mark ⁽¹⁾  Space ⁽⁰⁾
Data transfer order	LSB first
Code	JIS codes
Error control	Parity check (selectable by DIP switches)
Line length	15 m or less (when power is supplied from the AC adapter) 2 m or less (when power is supplied from the interface connector)
I/O circuit	Input: MAX211 or equivalent Output: MAX211 or equivalent
Protocol	DTR/DSR, XON/XOFF (selectable by DIP switches)

C-2. RS-232C Connector

Pin No.	Signal name	Function	I/O direction	Pin No.	Signal name	Function	I/O direction
1	FG	Frame ground		*14	SG2	Ground for +24V	IN
2	TXD	Send data	OUT	15	–		
3	RXD	Receive data	IN	16	–		
4	RTS	Request to send	OUT	17	–		
5	CTS	Clear to send	IN	*18	+24V	Drive power for mechanical section	IN
6	DSR	Data set ready	IN				
7	SG			*19	+24V	Drive power for mechanical section	IN
8	–						
9	–			20	DTR	Data terminal ready	OUT
10	–			21	–		
11	–			22	–		
12	–			23	–		
*13	SG2	Ground for +24V	IN	24	–		
				25	INIT		IN

The signals marked with “*” should not be used to supply power if the AC adapter is used. Doing so may result in damage to the power supply.



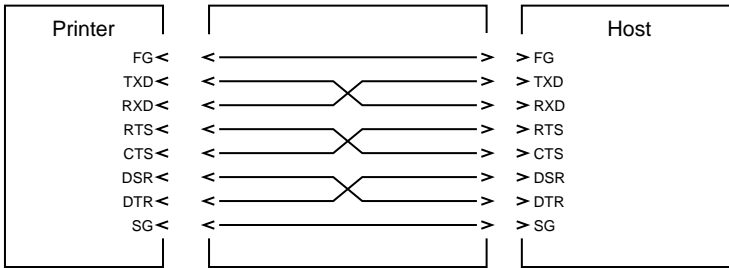
<Viewed from Connector Surface>

Note: Connector on printer side: DALC-J25PAF-23L8 (from Japan Aviation Electronics Industry, Ltd.) or equivalent

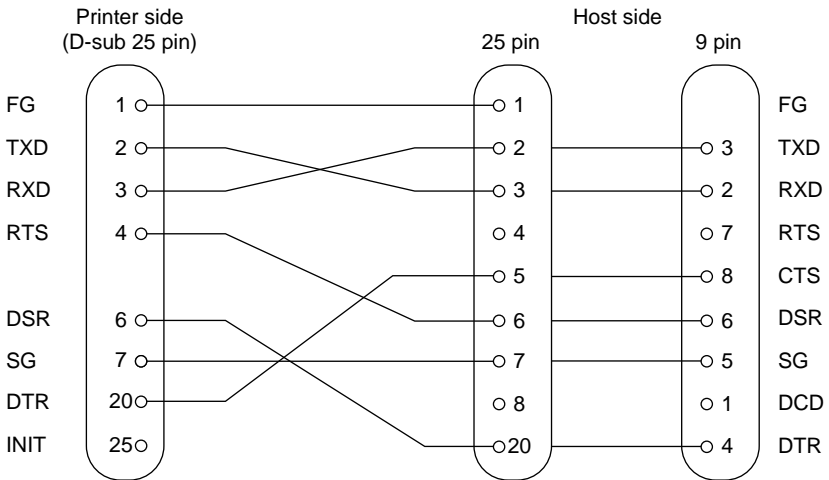
Connector on cable: DA-25SF-N (from Japan Aviation Electronics Industry, Ltd.) or equivalent

C-3. Cable Connections

(1) The followings are a recommended interface cable connections.



or

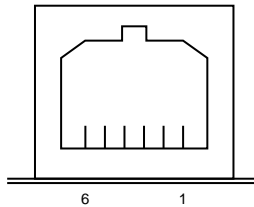


APPENDIX

(2) If power is to be supplied from the interface connector, use wires with sufficient length and thickness to prevent voltage drop.

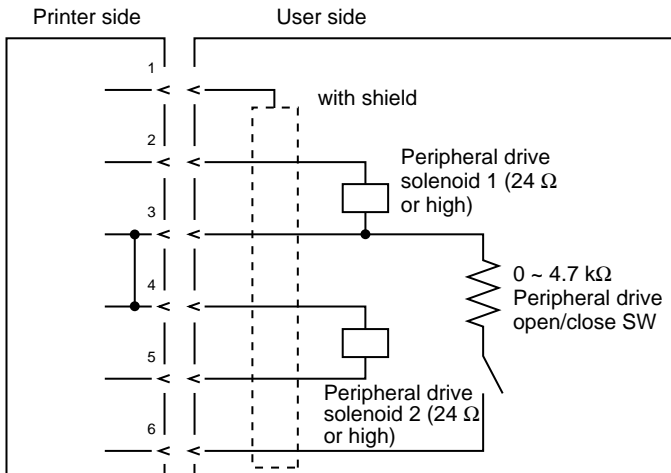
C-4. Peripheral Drive Connector

Pin No.	Signal name	Function	I/O direction
1	FG	Frame ground	—
2	DRD1	Drive signal 1	OUT
3	+24V	Drive power	OUT
4	+24V	Drive power	OUT
5	DRD2	Drive signal 2	OUT
6	DRSNS	Sense signal	IN



<Viewed from Connector Surface>

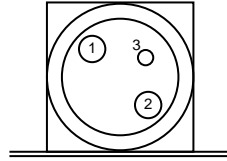
<Cable Connection 1>



- Notes**
1. A shield cable must be used.
 2. It is not possible to drive two drives simultaneously.
 3. The peripheral drive duty must satisfy the following.
ON time / (ON time + OFF time) \leq 0.2
 4. Power to the peripheral drive must be supplied from the printer (connector pin 4).
 5. The resistance of the peripheral drive solenoid must be 24 Ω or higher.
If it is lower than 24 Ω , over-current may flow into the solenoid, causing the solenoid to burn.

C-5. Power Connector

Pin No.	Signal name	Function	I/O direction
1	+24V	Drive power	IN
2	SG		
3	N.C.		

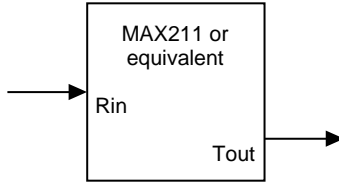


<Viewed from Connector Surface>

- Note 1:** This power connector is used to supply the control and mechanical sections of the printer.
- Note 2:** This power connector must not be used to supply power if power is supplied from the interface connector. Doing so may result in malfunction, fire or electric shock.

C-6. Electrical Characteristics

Voltage	Data signal	Control signal	Binary status
-3V to -12V	Mark	OFF	1
+3V to +12V	Space	ON	0





**ELECTRONIC PRODUCTS DIVISION
STAR MICRONICS CO., LTD.**

536 Nanatsushinnya, Shimizu, Shizuoka,
424-0066 Japan
Tel: 0543-47-0112, Fax: 0543-48-5271

Please access the following URL
http://www.star-micronics.co.jp/service/sp_sup_e.htm
for the latest revision of the manual.

**OVERSEAS SUBSIDIARY COMPANIES
STAR MICRONICS AMERICA, INC.**

70-D Ethel Road West, Piscataway, NJ 08854 U.S.A
Tel: 732-572-9512, Fax: 732-572-5095

STAR MICRONICS U.K. LTD.

Star House, Peregrine Business Park, Gomm Road,
High Wycombe, Bucks, HP13 7DL, U.K.
Tel: 01494-471111, Fax: 01494-473333

Free Manuals Download Website

<http://myh66.com>

<http://usermanuals.us>

<http://www.somanuals.com>

<http://www.4manuals.cc>

<http://www.manual-lib.com>

<http://www.404manual.com>

<http://www.luxmanual.com>

<http://aubethermostatmanual.com>

Golf course search by state

<http://golfingnear.com>

Email search by domain

<http://emailbydomain.com>

Auto manuals search

<http://auto.somanuals.com>

TV manuals search

<http://tv.somanuals.com>