



## USERS MANUAL

---

**XB-2420** MULTI-FONT  
**XB-2425** MULTI-FONT

# **XB24-200**

# **XB24-250**

**MULTI-FONT**

**USERS MANUAL**

NOT INTENDED FOR SALE

#### **Trademark Acknowledgements**

**XB24-200/250, XB-2410/2415, XB24-10/15, NX-2420, LC24-200, FZ24, LZ24, X24CL, RC-32Z, DC-32Z, IS-8XL, IP-128XL, SF-10DMII/15DMII, SF-10RMII/15RMII, PT-10XM/15XM: Star Micronics Co., Ltd.**

**IBM-PC, PS/2, PC-AT, Proprinter X24E/XL24E, Proprinter X24/XL24, PC-DOS: International Business Machines Corp.**

**MS-DOS, Microsoft BASIC: Microsoft Corporation**

**LQ-860/1060, LQ-850/1050: Seiko Epson Corp.**

#### **NOTICE**

- All rights reserved. Reproduction of any part of this manual in any form whatsoever without STAR's express permission is forbidden.
- The contents of this manual are subject to change without notice.
- All efforts have been made to ensure the accuracy of the contents of this manual at the time of press. However, should any errors be detected, STAR would greatly appreciate being informed of them.
- The above notwithstanding, STAR can assume no responsibility for any errors in this manual.

© Copyright 1991 Star Micronics Co., Ltd.

# **XB24-200**

# **XB24-250**

**MULTI-FONT**

**USERS MANUAL**

NOT INTENDED FOR SALE

#### **Trademark Acknowledgements**

**XB24-200/250, XB-2410/2415, XB24-10/15, NX-2420, LC24-200, FZ24, LZ24, X24CL, RC-32Z, DC-32Z, IS-8XL, IP-128XL, SF-10DMII/15DMII, SF-10RMII/15RMII, PT-10XM/15XM: Star Micronics Co., Ltd.**

**IBM-PC, PS/2, PC-AT, Proprinter X24E/XL24E, Proprinter X24/XL24, PC-DOS: International Business Machines Corp.**

**MS-DOS, Microsoft BASIC: Microsoft Corporation**

**LQ-860/1060, LQ-850/1050: Seiko Epson Corp.**

#### **NOTICE**

- All rights reserved. Reproduction of any part of this manual in any form whatsoever without STAR's express permission is forbidden.
- The contents of this manual are subject to change without notice.
- All efforts have been made to ensure the accuracy of the contents of this manual at the time of press. However, should any errors be detected, STAR would greatly appreciate being informed of them.
- The above notwithstanding, STAR can assume no responsibility for any errors in this manual.

© Copyright 1991 Star Micronics Co., Ltd.

# HOW TO USE THIS MANUAL

This manual is organized into eleven chapters. To learn how to make the best use of your printer you are urged to read through chapters 2 through 6. The remaining chapters may be treated as a reference guide for programming operations, etc. It assumes a degree of acknowledge of the operation of computers (for instance, it assumes you know about hexadecimal numbers). The chapters are as follows:

## **Chapter 1 — Introduction**

This chapter indicates the some features of the printer, the names and those functions of the printer components, and the actual example of font style.

## **Chapter 2 — Setting up the printer**

This chapter explains how to get the printer unpacked and set up. Read this chapter before you do anything else.

## **Chapter 3 — Optional accessories**

This chapter explains the optional accessories with your printer, and how to install them.

## **Chapter 4 — Paper installation and use**

This chapter describes instructions for printing such as selecting paper types, adjusting the printing gap, and installing paper.

## **Chapter 5 — Control panel operations**

There are a number of controls on the front panel which perform various functions related to paper handling, print modes and font selection.

After getting set up, read this chapter and try out the procedures in it to find out how the printer works.

## **Chapter 6 — Default settings**

This chapter explains how to set the Electronic DIP Switch (EDS) mode to make system settings on the printer.

## **Chapter 7 — Printer control commands**

This chapter explains the different emulations provided by your printer, and the software commands used to drive it. This section is of use if you are writing or modifying programs to take advantage of the printer's features.

## **Chapter 8 — Download characters**

This chapter explains the procedures to create your own characters.

## **Chapter 9 — MS-DOS and your printer**

Since the PS/2 or PC-AT family of computers running under MS-DOS is currently the most popular configuration of microcomputer, we have included a few hints and tips to help you use your printer with such systems.

Since virtually all PCs are sold with a Microsoft BASIC interpreter, we have also included some hints, and a sample program in this language to demonstrate the capabilities of the printer.

## **Chapter 10 — Troubleshooting and maintenance**

This section gives a checklist of points to check if your printer is not working in the expected way. It also includes details of some routine maintenance operations you can carry out yourself. It is not, however, a complete service manual. Call a qualified service engineer if you are unsure of your ability to carry out any maintenance or servicing operations.

## **Chapter 11 — Reference**

This section gives some reference of your printer, such as specifications of your printer, the pinout of interface connector, the character tables.

The character table charts give the different character sets available.

# TABLE OF CONTENTS

<b>Chapter 1 INTRODUCTION</b>	1
Features of the printer	1
Font style example	3
Printer components	4
<b>Chapter 2 SETTING UP THE PRINTER</b>	7
Locating the printer	7
Unpacking and inspection	8
Setting up	10
Mounting the platen knob	10
Install the ribbon cartridge	11
Connecting the interface cable	12
<b>Chapter 3 OPTIONAL ACCESSORIES</b>	15
Automatic Sheet Feeder	15
Single-bin Automatic Sheet Feeder	15
Dual-bin Automatic Sheet Feeder	20
Pull Tractor Unit	22
Font Cartridges and RAM Cartridges	23
Interface Cartridges	25
<b>Chapter 4 PAPER INSTALLATION AND USE</b>	27
Selection of paper	27
Adjusting the printing gap	28
Loading fanfold forms	29
Loading the paper from the rear of the printer	30
Loading the paper from the bottom of the printer	32
Loading the paper with Push/Pull feed	33
Paper parking	36
Paper unparking	37
Loading single sheets	38
Loading the paper without optional accessories	38
Loading the paper with optional Automatic Sheet Feeder	40



<b>Chapter 5 CONTROL PANEL OPERATIONS</b>	43
Bottoms and indicators	43
ON LINE button	44
PAPER FEED button	44
SET/EJECT/PARK button	45
PITCH button	45
FONT button	46
Power-up functions	47
Short test mode	47
Long test mode	48
Print area test mode	49
Pitch lock mode	49
Font lock mode	49
Font and Pitch lock mode	49
Hexadecimal dump	50
Switch combination functions	52
Form feed	52
Top of form	52
Forward micro-feed	53
Reverse micro-feed	53
Changing the auto loading value	53
Clearing the buffer/All reset	54
Selecting the print color	54
Selecting the ASF bin number	55
Store macro definition	56
<b>Chapter 6 DEFAULT SETTINGS</b>	57
How to set the EDS mode	57
Functions of the EDS settings	58
Command parameters	60
Font parameters	61
Character parameters	63
Style parameters	65
Layout parameters	66
Forms parameters	68
Other parameters	70
Dot Adjustment mode	71

<b>Chapter 7 PRINTER CONTROL COMMANDS</b>	73
Font control commands	74
Character set commands	81
Character size and pitch commands	84
Vertical position commands	90
Horizontal position commands	97
Graphics commands	103
Download character commands	107
Color selection commands	112
Other printer commands	113
<b>Chapter 8 DOWNLOAD CHARACTERS</b>	117
Defining your own characters with Standard mode	117
Assigning the character data	118
Assigning a value of character space	119
Sample program	120
Defining your own characters with IBM mode	122
Assigning the download character set	122
Assigning the character dot pattern	123
Assigning the Index Table data	125
Sample program	126
<b>Chapter 9 MS-DOS AND YOUR PRINTER</b>	129
Installing application software with your printer	129
Embedding printer commands	130
Programming the printer with DOS commands	132
Programming with BASIC	135
<b>Chapter 10 TROUBLESHOOTING AND MAINTENANCE</b>	143
Troubleshooting	143
Power supply	144
Printing	144
Paper feeding	146
Maintenance	149
Replacing the print head	149

<b>Chapter 11 REFERENCE</b>	151
Specifications	151
Pinout of interface connector	155
Parallel interface	155
Serial interface	156
Character sets	157
Standard character set #2	158
International character sets	160
IBM character set #2	161
Character set#1	168
IBM special character set	169
Proportional spacing table	170
<b>INDEX</b>	183
<b>COMMAND SUMMARY</b>	187

---

# Chapter 1

## INTRODUCTION

---

This printer has a full complement of features, making it an excellent partner for a personal computer. It supports the Epson/IBM printer commands and character sets, enabling it to print just about anything your computer can generate, both text and graphics.

### FEATURES OF THE PRINTER

Some of main features are the following:

- **Versatile paper handling**  
Single sheets, fanfold forms, and multi-part forms (up to 5-ply) are all accepted, and you can use either push/pull tractor or friction feed. (You can load fanfold forms from the rear with internal push tractor, or fanfold forms and multi-part forms from the bottom with optional pull tractor.) A special feature enables you to keep fanfold forms parked in readiness while printing on other paper.
- **Six bright colors**  
Magenta, cyan, violet, yellow, orange and green add a color dimension to your printed output by the optional color ribbon.
- **Large variety of fonts**  
The printer has the following resident fonts:
  - Draft
  - High-Speed Draft
  - Roman
  - Sanserif
  - Courier
  - Prestige
  - Script
  - Orator
  - H-Gothic
  - SLQ Roman
  - SLQ TW-Light

In addition, following fonts can be used by installing the optional font cartridge:

[FC-1Z Cartridge]

- Orator 2
- Letter Gothic
- Blippo
- Cinema

[FC-2Z Cartridge]

- OCR-B
- OCR-A
- CODE 39
- UPC/EAN

[FC-3Z Cartridge]

- TW-Light
- Orane

[FC-4Z Cartridge]

- Russian

[FC-5Z Cartridge]

- Old Style
- Firenze

[FC-10Z Cartridge]

- SLQ Script

- Extensive software support

Since it is compatible with the Epson and IBM printers, it works with any software that supports those printers. That includes most word-processing and graphics programs, spread-sheets, and integrated software packages.

- Easy operation

Indicator displays and beep tones provide immediate, easy to understand feedback when you press the buttons on the control panel. The five buttons can operate in combinations to perform a surprising variety of functions, including micro-alignment.

- Easy care and maintenance

The ribbon cartridge can be replaced in seconds the print head in a few minutes.

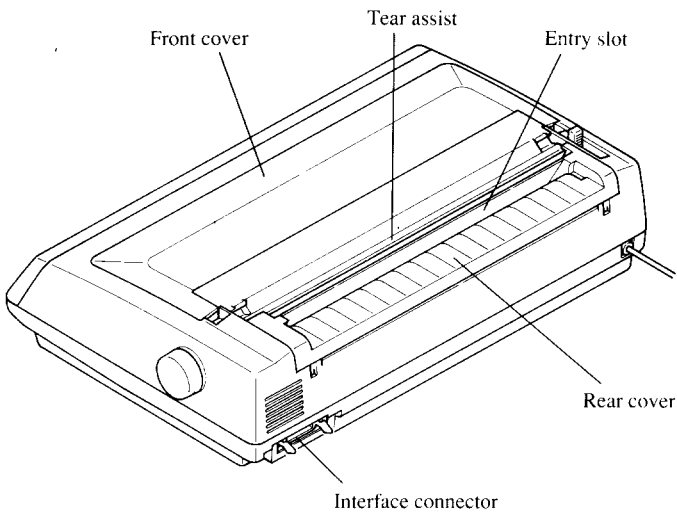
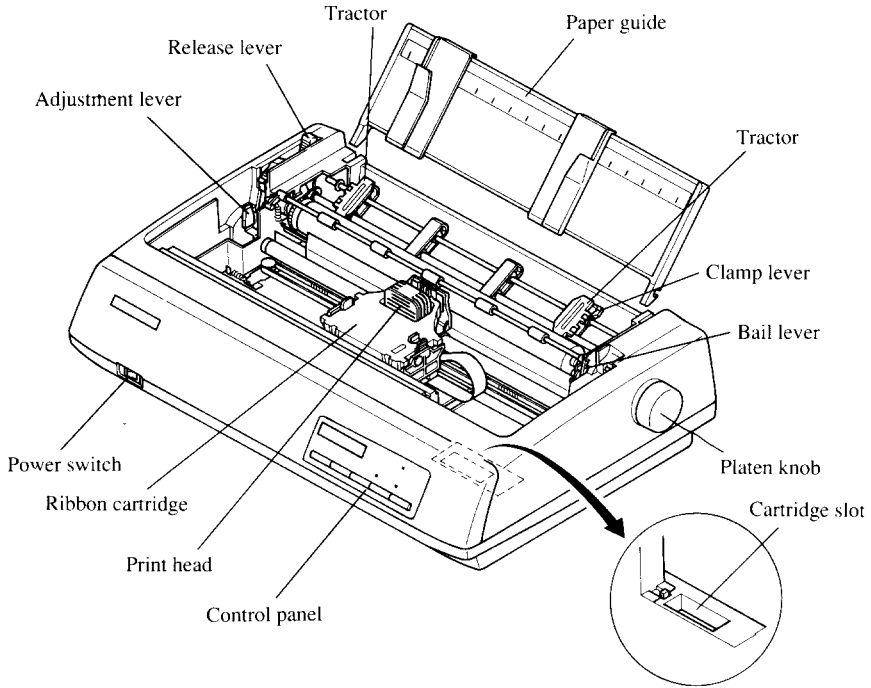
## FONT STYLE EXAMPLE

The following example shows the many font styles your printer can print.

Draft	123456789	ABCDEFGHIJK	abcdefghijkl
HS-Draft	123456789	ABCDEFGHIJK	abcdefghijkl
Roman	123456789	ABCDEFGHIJK	abcdefghijkl
Sanserif	123456789	ABCDEFGHIJK	abcdefghijkl
Courier	123456789	ABCDEFGHIJK	abcdefghijkl
Prestige	123456789	ABCDEFGHIJK	abcdefghijkl
Script	<i>123456789</i>	<i>ABCDEFGHIJK</i>	<i>abcdefghijkl</i>
OCR-B	123456789	ABCDEFGHIJK	abcdefghijkl
OCR-A	123456789	ABCDEFGHIJK	abcdefghijkl
Orator	123456789	ABCDEFGHIJK	ABCDEFGHIJK
Orator-2	123456789	ABCDEFGHIJK	abcdefghijkl
TW-Light	123456789	ABCDEFGHIJK	abcdefghijkl
Letter Gothic	123456789	ABCDEFGHIJK	abcdefghijkl
Blippo	123456789	ABCDEFGHIJK	abcdefghijkl
H-Gothic	123456789	ABCDEFGHIJK	abcdefghijkl
Orane	123456789	ABCDEFGHIJK	abcdefghijkl
Cinema	<b>123456789</b>	<b>ABCDEFGHIJK</b>	<b>abcdefghijkl</b>
CODE 39			
UPC/EAN	123456789	123456789	
Old Style	123456789	<b>A B C D E F G H I J K</b>	abcdefghijkl
Firenze	123456789	ABCDEFGHIJK	abcdefghijkl
SLQ Roman	123456789	ABCDEFGHIJK	abcdefghijkl
SLQ TW-Light	123456789	ABCDEFGHIJK	abcdefghijkl
SLQ Script	<i>123456789</i>	<i>ABCDEFGHIJK</i>	<i>abcdefghijkl</i>

# PRINTER COMPONENTS

To get acquainted with the printer's components and capabilities, refer to the information on the following pages.



<b>Paper guide</b>	Aligns single sheets (cut forms) to help the printer detect when paper is inserted.
<b>Release lever</b>	Releases pressure on the paper. This lever must be back for fanfold forms, and forward for single sheets.
<b>Front cover</b>	Protects the print head and other internal components of your printer.
<b>Rear cover</b>	Protects the tractor feed unit and separates incoming and outgoing fanfold forms.
<b>Entry slot</b>	For inserting single sheets of paper.
<b>Tear assist</b>	Assists when tearing fanfold forms at the perforation. <b>CAUTION:</b> Since the tear assist edge is made sharp to cut off paper, you must swing down the transparent part when you open the front cover. Otherwise, you may injure your fingers.
<b>Control panel</b>	Indicates printer status and makes various control of printer functions simple and convenient.
<b>Power switch</b>	Switches power on or off.
<b>Platen knob</b>	Advances the paper manually.
<b>Interface connector</b>	Connects the computer to the printer.
<b>Cartridge slot</b>	Holds the optional Font cartridge or RAM cartridge.
<b>Print head</b>	Has a dot matrix (24-wire) composition.
<b>Ribbon cartridge</b>	Contains the printer ribbon.
<b>Adjustment lever</b>	Controls print darkness by adjusting for the thickness of forms being printed.
<b>Tractors</b>	Control the movement of fanfold forms.
<b>Clamp lever</b>	Clamps the tractor in place.
<b>Bail lever</b>	Opens and closes the paper bail which holds the paper against the platen.



# ***MEMO***

---

# Chapter 2

## SETTING UP THE PRINTER

---

This chapter describes the following procedures to set up your new printer. If you have optional accessories, refer to chapter 3 after setting up the printer.

- Locating the printer
- Unpacking the carton box
- Mounting the platen knob
- Installing the ribbon cartridge
- Connecting the printer to your computer

### LOCATING THE PRINTER

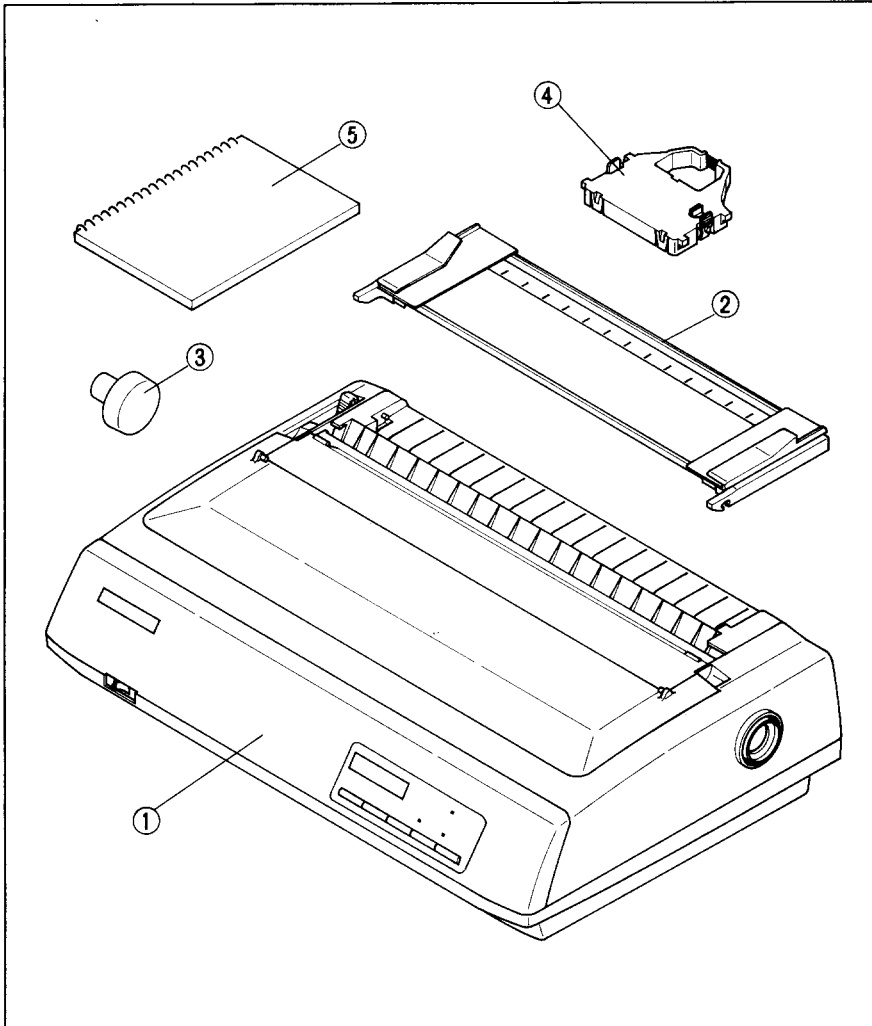
Before you start unpacking and setting up your printer, make sure that you have a suitable place on which to locate it. By “a suitable place”, we mean:

- A firm, level surface which is fairly vibration-free
- Away from excessive heat (such as direct sunlight, heaters, etc)
- Away from excessive humidity
- Away from excessive dust
- Supply it with “clean” electricity. Do not connect it to the same circuit as a large, noise-producing appliance such as a refrigerator.
- Make sure the line voltage is the voltage specified on the printer’s identification plate.
- To disconnect the printer, the plug has to be disconnected from the wall socket, which has to be located close to the printer, and easy to access.
- Install the printer where there is sufficient room for the paper and any paper being fed in or printed out.
- If you are connecting your printer with a parallel interface, make sure that the cable is within 2m (6ft) of the printer. An RS-232 connection using the optional IS-8XL interface cartridge can be made over longer distances.

# UNPACKING AND INSPECTION

Now unpack the contents of the shipping carton, and check each item in the box against Figure 2-1 to make sure that you have everything (there should be five items).

If any of these items are missing, contact your supplier.



**Figure 2-1.** Check to make sure you have all five items: 1) Printer, 2) Paper guide, 3) Platen knob, 4) Ribbon cartridge, and 5) User's manual.

**NOTE:** The platen knob is mounted on the printer for the Normal carriage printer.

The optional accessories which you may have ordered with your printer are:

- Film ribbon cartridge (FZ24)
- Color ribbon cartridge (X24CL)
- Font cartridges (FC series)
- RAM cartridge (RC-32Z, DC-32Z)
- Serial interface cartridge (IS-8XL)
- Buffered parallel interface cartridge (IP-128XL)
- Automatic sheet feeder (SF-10DMII/15DMII, SF-10RMII/15RMII)
- Pull tractor unit (PT-10XM/15XM)

For details of the optional accessories, refer to Chapter 3.

## SETTING UP

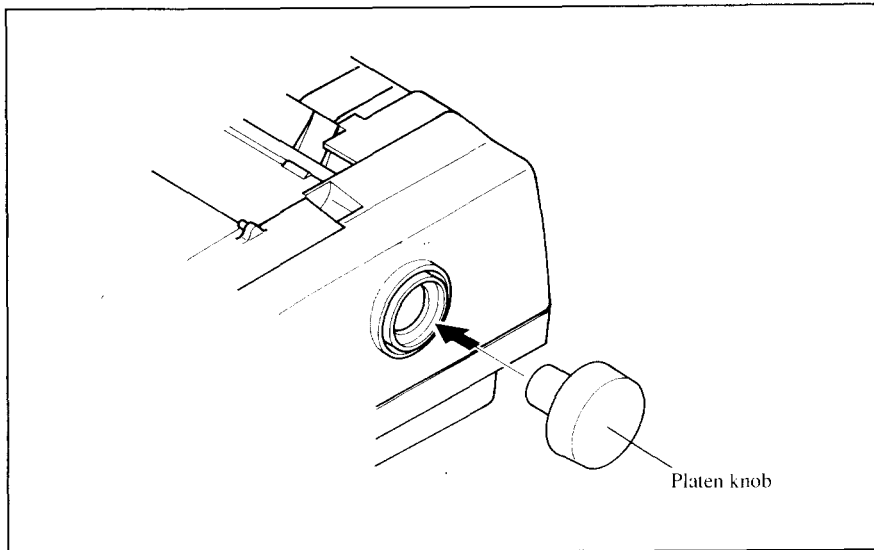
Place the printer in the desired location, and remove all packing material from inside the printer cover. This packing material is intended to prevent damage to the printer while in transit. You will want to keep all the packing material, along with the printer carton, in case you have to move the printer to a new location.

### *Mounting the platen knob*

The platen knob is packed into an accessory box with other accessories for the Wide carriage printer.

**NOTE:** For the Normal carriage printer, the platen knob is mounted on the printer at factory.

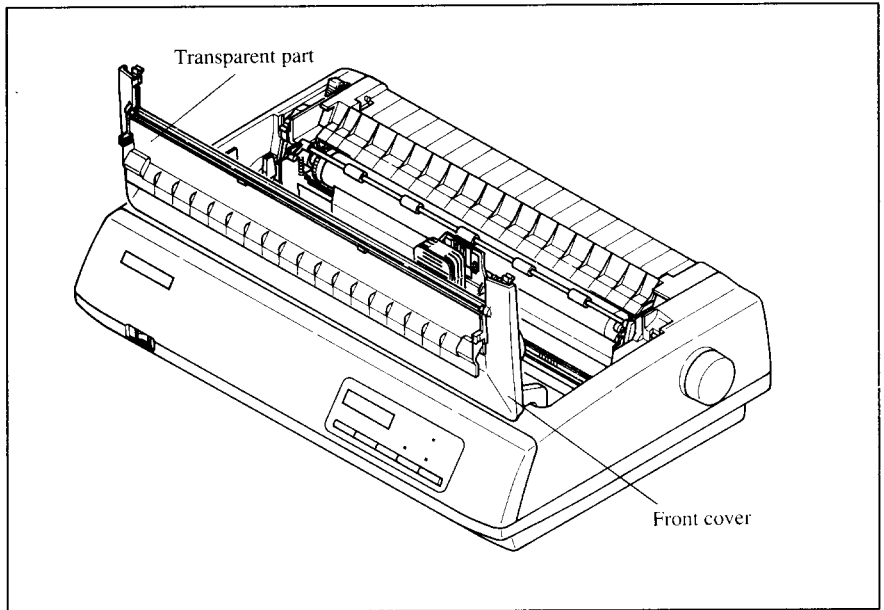
Mount the knob on the platen shaft, which is located on the right-hand side of the printer. Rotate the knob on the shaft before pushing the knob fully into position.



**Figure 2-2.** Mount the platen knob.

## ***Install the ribbon cartridge***

Open the front cover by lifting up the back using the two grips on either side, then swing down the transparent part (see Figure 2-3).

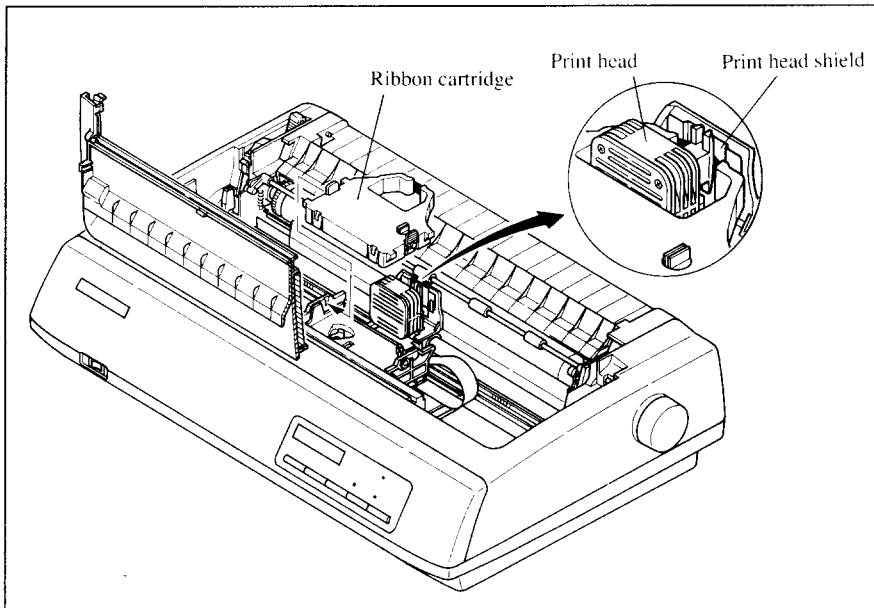


**Figure 2-3.** Open the front cover, and swing down the transparent part.

Now install the ribbon with the following procedure. (If you want to print with color, install the optional color ribbon cartridge, X24CL.)

1. Turn the tension knob clockwise on the ribbon cartridge to tighten the ribbon if it is slack.
2. Guide the ribbon between the print head and the silver print head shield, making certain that the spindles on the cartridge holder fit into the sockets on the cartridge itself.

The ribbon should pass between the print head and the print head shield as shown in Figure 2-4.



**Figure 2-4.** Installing the ribbon cartridge.

After you have installed the ribbon cartridge, close the front cover.

Leave the front cover closed during normal operation. The cover keeps out dust and dirt and reduces the printer's operating sounds. Open the cover only to change the ribbon or make an adjustment.

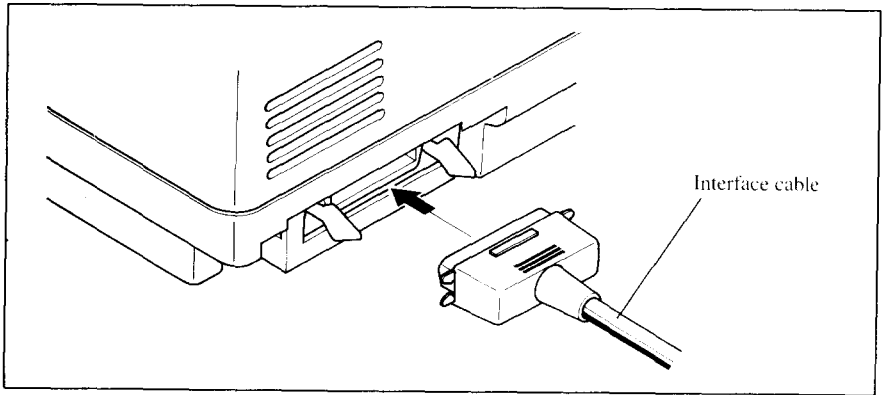
## ***Connecting the interface cable***

Connect the printer to your computer using a standard Centronics parallel interface cable. On a PS/2 or PC/AT-type computer, this means that you use the 25-pin D-type connector at the computer end, and the Amphenol-type 36-pin connector at the printer end. The configuration of the printer's connector is given in Chapter 11 should you need a cable for connecting to another computer.

If you need to connect to a serial port, use the optional Serial RS-232 interface cartridge, IS-8XL.

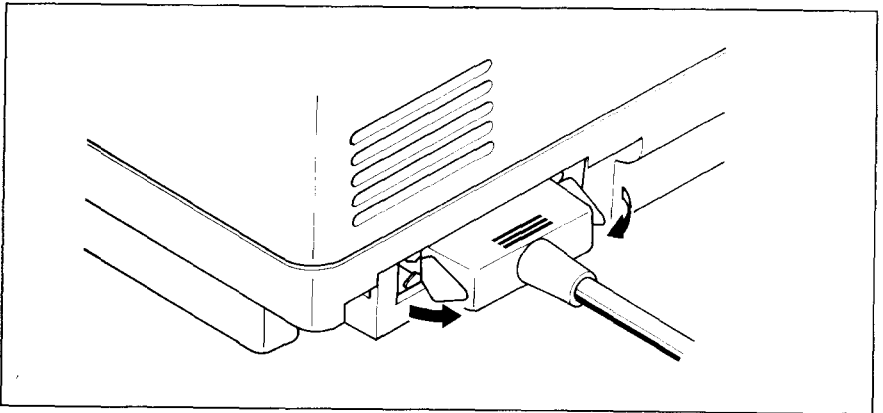
Follow the procedures below to connect the interface cable:

1. Turn off the power switch both the printer and the computer.
2. Connect the interface cable to the printer as shown in Figure 2-5.  
Make sure that you press the plug fully into the interface connector.



**Figure 2-5.** Connecting the interface cable.

3. Move both clips inside the extended prongs on the sides of the plug until you hear a click.



**Figure 2-6.** Move the clips until you hear a click.

4. Connect the other end of the interface cable to your computer. Use your computer instructions to attach the interface cable.

**NOTE :**Because you need your computer when you start printing, ensure that it is completely installed.

Plug the printer into a suitable outlet. However, **DO NOT** turn on the power switch at the front of the printer yet.

**NOTE :**To disconnect the printer the plug has to be disconnected from the wall socket, which has to be located close to the printer, and easy to access.



# ***MEMO***

---

# Chapter 3

## OPTIONAL ACCESSORIES

---

You can select the following accessories as option.

- Automatic sheet feeder (SF-10DMII/15DMII, SF-10RMII/15RMII)
- Pull tractor unit (PT-10XM/15XM)
- Font cartridges (FC series)
- RAM cartridge (RC-32Z, DC-32Z)
- Serial interface cartridge (IS-8XL)
- Buffered parallel interface cartridge (IP-128XL)

This chapter describes how to install these optional accessories.

**NOTE:** When you install or remove the optional accessories, turn off the power switch.

### AUTOMATIC SHEET FEEDER

You can use the Automatic Sheet Feeder to print on single sheets.

This printer can be used either a Single-bin type or Dual-bin type Automatic Sheet Feeder.

#### *Single-Bin Automatic Sheet Feeder*

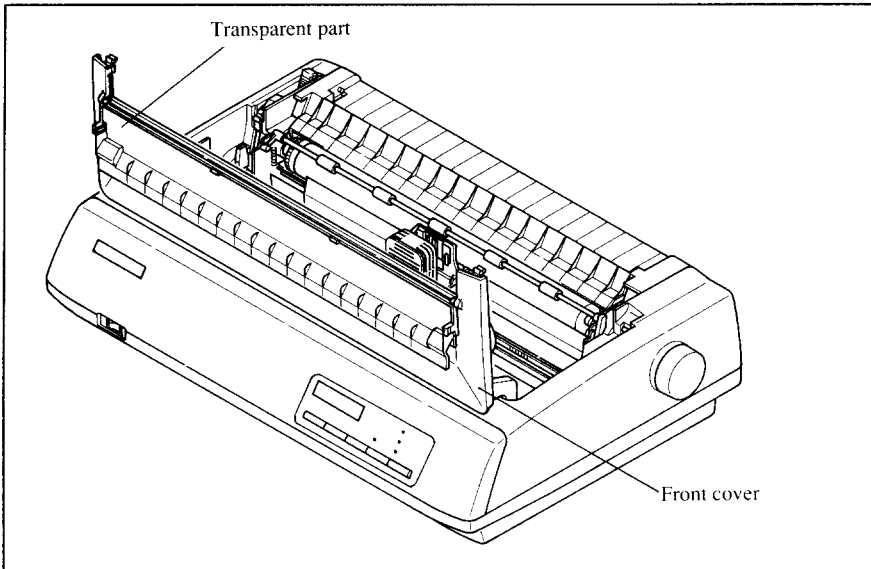
*(SF-10DMII/15DMII)*

The procedure to mount the Single-Bin ASF is:

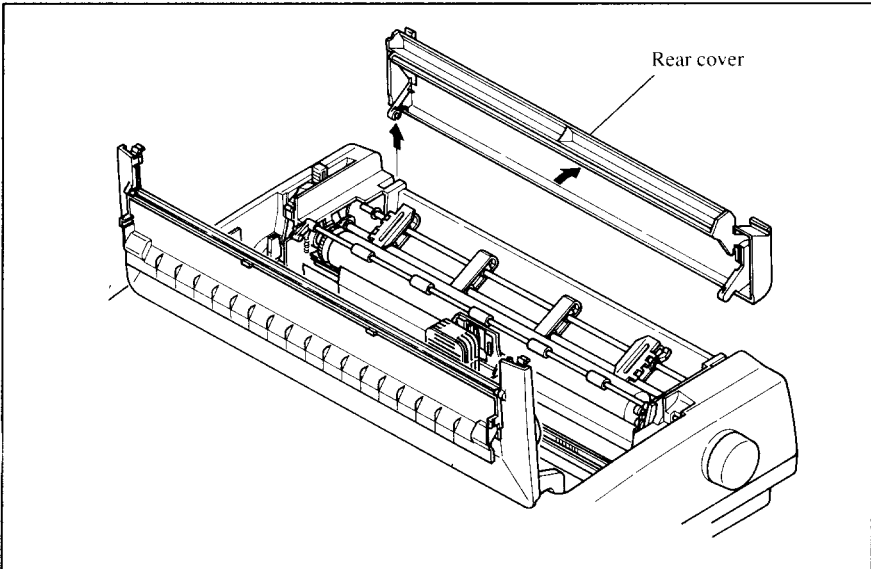
1. Open the front cover by lifting up the back using the two grips on either side, then swing down the transparent part (see Figure 3-1).
2. Open the rear cover by lifting up the front using the two grips on either side, then remove it upward.

If the paper guide is installed, remove it before taking off the rear cover.

3. Move the bail lever on top of the printer forward to open the paper bail.

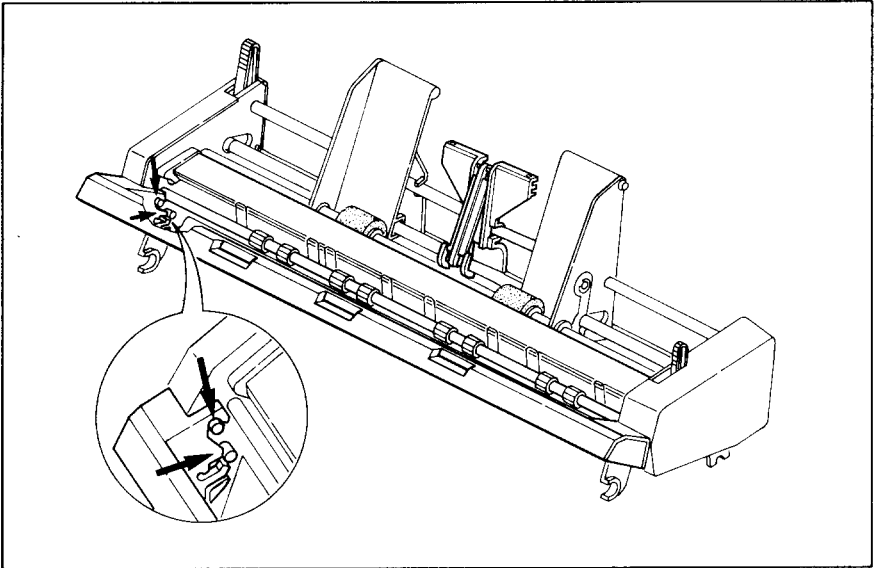


**Figure 3-1.** Open the front cover, and swing down the transparent part.



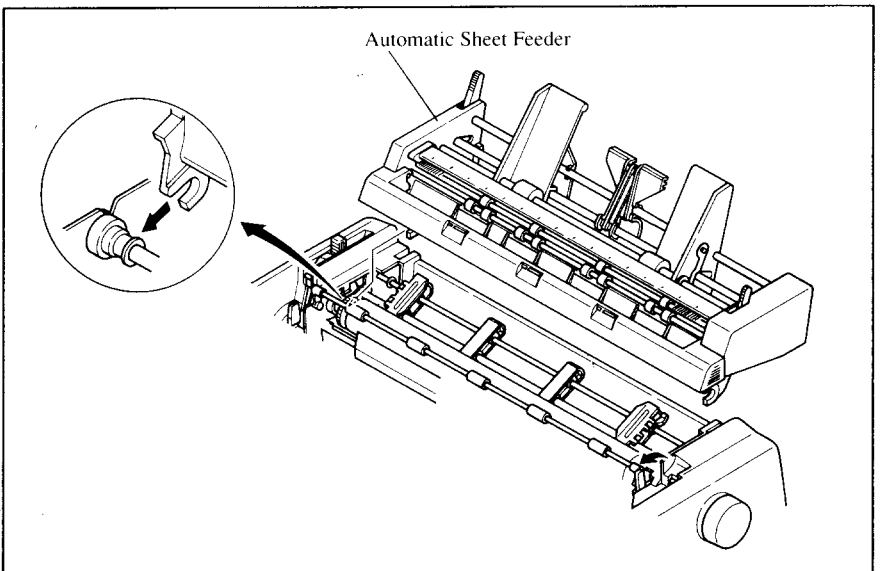
**Figure 3-2.** Open the rear cover, and remove it.

4. A stacker is included with the Automatic Sheet Feeder. Attach the hook at the top of the stacker to the Automatic Sheet Feeder. Then push the lower section of the stacker down into position, and engage the lower hook as shown in Figure 3-3.



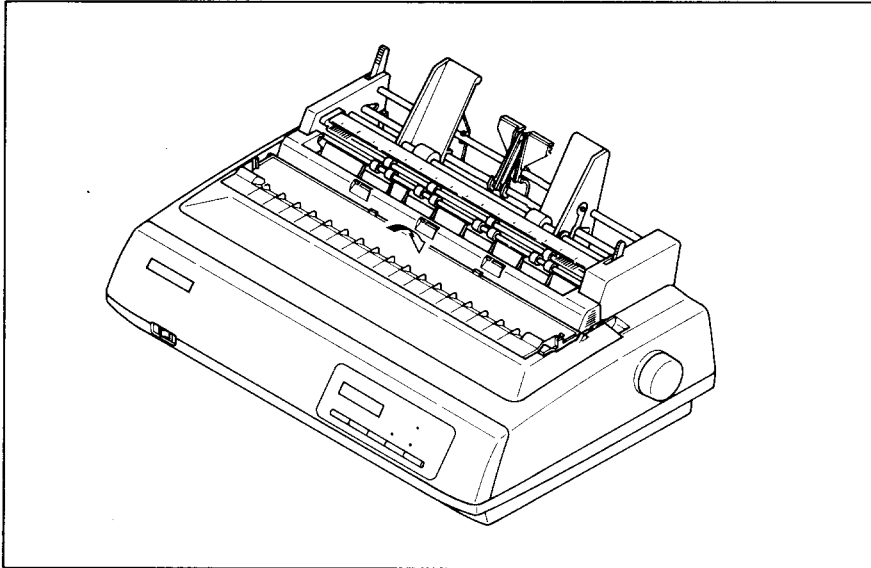
**Figure 3-3.** Attach the stacker to the Automatic Sheet Feeder.

5. Tip the Automatic Sheet Feeder forward slightly and put the feeder into place behind the printer platen roller.
6. Lower the rear side of the Automatic Sheet Feeder and attach it to the platen shaft.



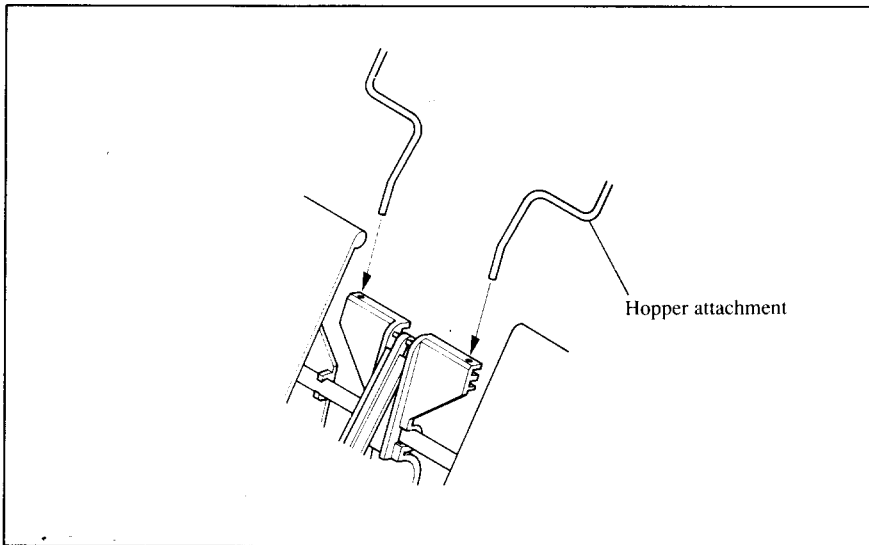
**Figure 3-4.** Mount the Automatic Sheet Feeder to the printer.

7. Close the front cover with the transparent part in the open position.



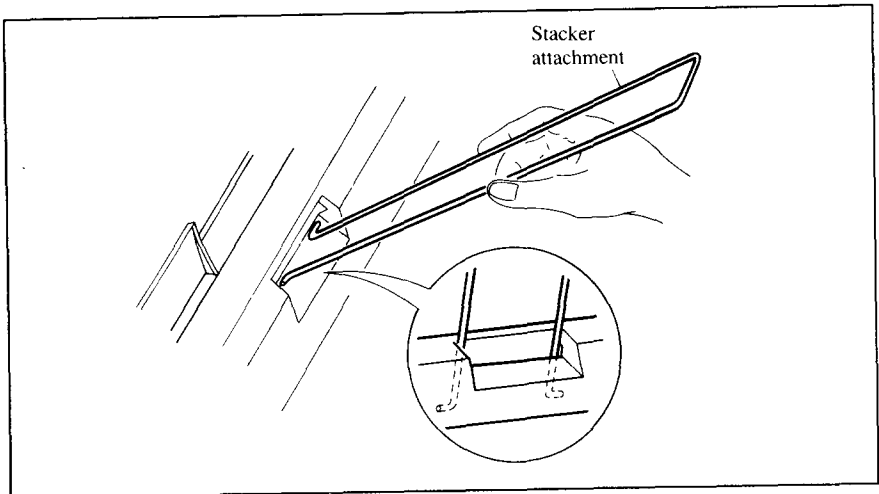
**Figure 3-5.** Close the front cover.

8. Insert the hopper attachment by hand into the holders on top of the hopper support section as shown in Figure 3-6.



**Figure 3-6.** Insert the hopper attachment.

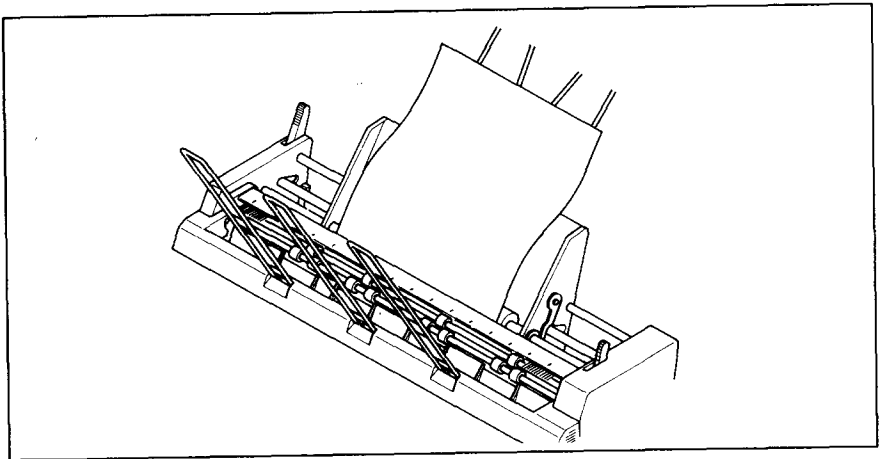
9. Squeeze the sides of the stacker attachments lightly, and insert into the holders on the front part of the sheet feeder.



**Figure 3-7.** Insert the stacker attachment.

Now, you can use the ASF by installing the paper stack into the hopper. (Refer to Chapter 4.)

In addition, you can feed a sheet of paper manually by inserting into the slot at the front of ASF roller as shown in Figure 3-8.



**Figure 3-8.** Insert a sheet of paper to feed manually.

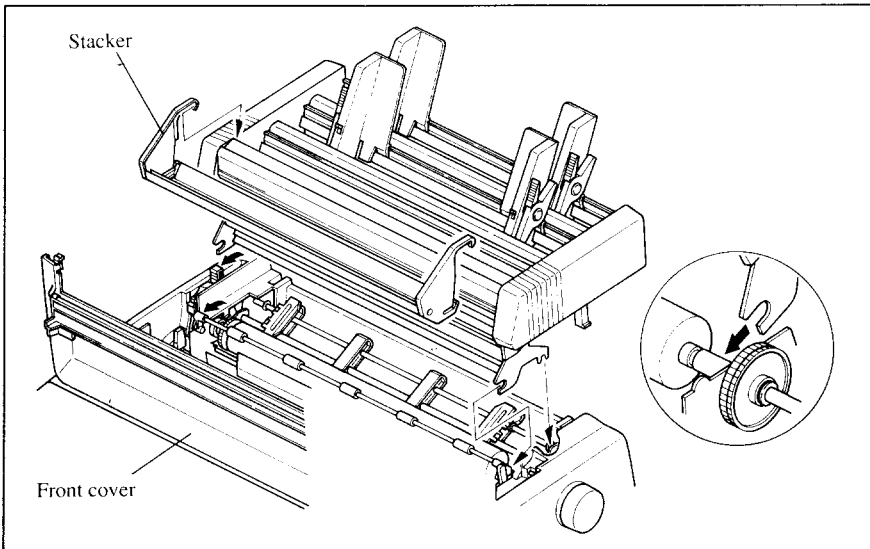
**NOTE:** Set the paper guide and rear cover aside carefully after they have been removed from the printer. Reverse the procedure described above when removing the Automatic Sheet Feeder.

# Dual-Bin Automatic Sheet Feeder

## (SF-10RMII/15RMII)

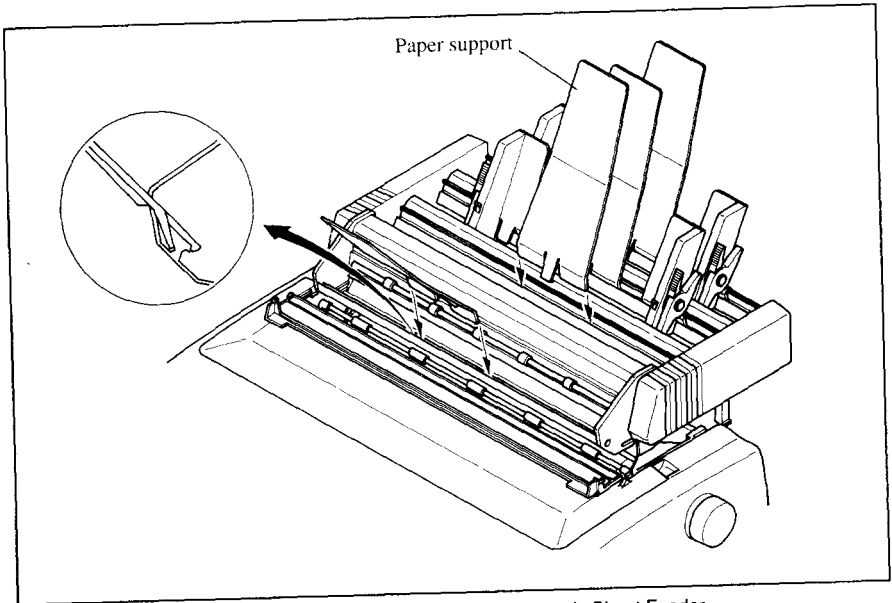
The procedure to mount the Dual-Bin ASF is:

1. Open the front cover by lifting up the back using the two grips on either side, then swing down the transparent part (see Figure 3-1).
2. Open the rear cover by lifting up the front using the two grips on either side, then remove it upward.  
If the paper guide is installed, remove it before taking off the rear cover.
3. Move the bail lever on top of the printer forward to open the paper bail.
4. A stacker is included with the Automatic Sheet Feeder. Attach the hook at the top of the stacker to the Automatic Sheet Feeder. Then push the lower section of the stacker down into position, and engage the lower hook as shown in Figure 3-9.



**Figure 3-9.** Attach the stacker to the Automatic Sheet Feeder.

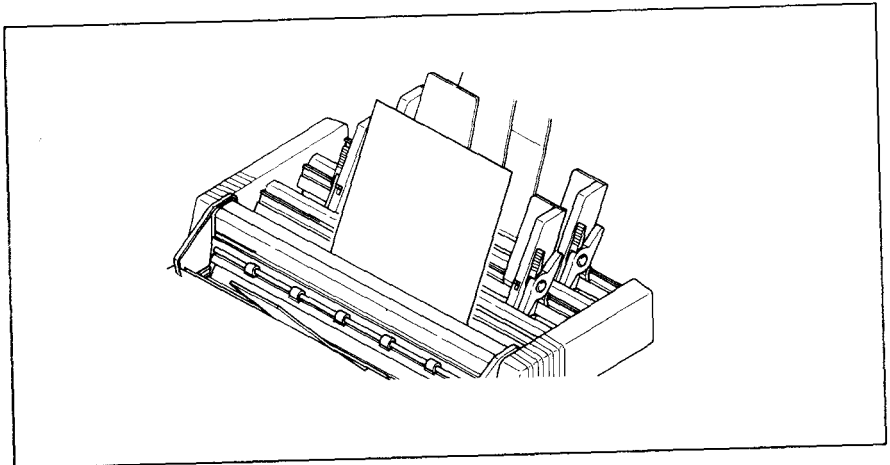
5. Tip the Automatic Sheet Feeder forward slightly and put the feeder into place behind the printer platen roller.
6. Lower the rear side of the Automatic Sheet Feeder and attach it to the platen shaft.
7. Close the front cover with the transparent part in the open position.
8. Attach the clear plastic paper supports between the left and right paper guides of the hopper bins and the stacker.



**Figure 3-10.** Attach the clear plastic paper supports to the Automatic Sheet Feeder.

Now, you can use the ASF by installing the paper stack into the bin. (Refer to Chapter 4.)

In addition, you can feed a sheet of paper manually by inserting into the slot at the front of ASF bin #1 as shown in Figure 3-11.



**Figure 3-11.** You can insert a sheet of paper to the front slot.

**NOTE:** Set the paper guide and rear cover aside carefully after they have been removed from the printer. Reverse the procedure described above when removing the Automatic Sheet Feeder.



## PULL TRACTOR UNIT (PT-10XM/15XM)

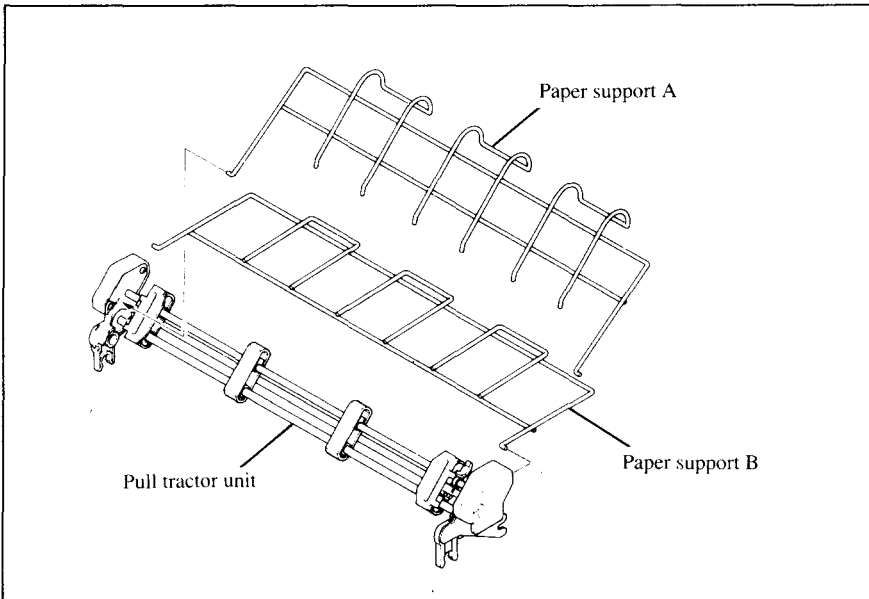
You can use the Pull Tractor Unit to print on fanfold forms or multi-part forms.

The procedure to mount the Pull Tractor Unit is:

1. Open the front cover by lifting up the back using the two grips on either side, then swing down the transparent part (see Figure 3-1).
2. Open the rear cover by lifting up the front using the two grips on either side, then remove it upward.

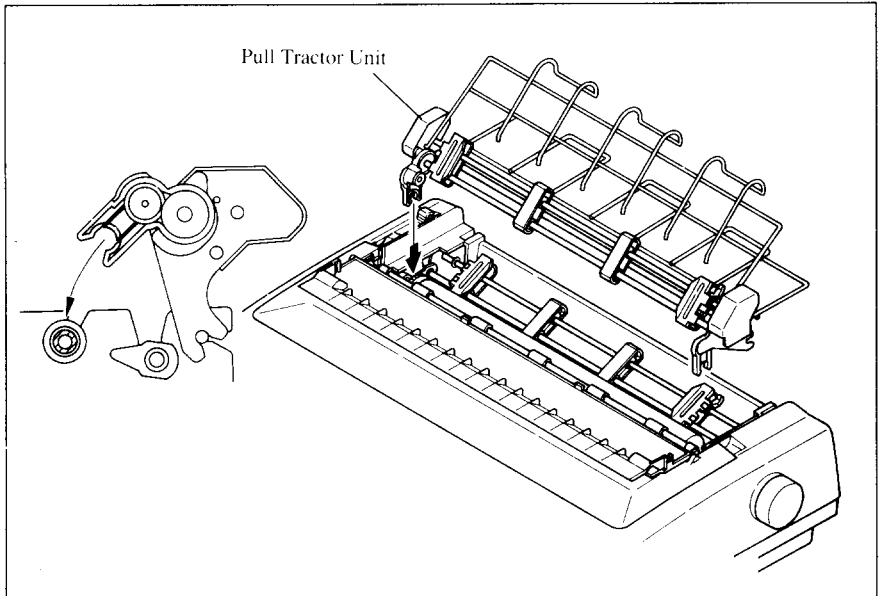
If the paper guide is installed, remove it before taking off the rear cover.

3. Move the bail lever on top of the printer forward to open the paper bail.
4. Squeeze the sides of the paper supports lightly, and insert into the holes on both side of the Pull Tractor Unit as shown in Figure 3-12.



**Figure 3-12.** Mount the paper support A and B onto the Pull Tractor Unit.

5. Fit the mounting brackets of the Pull Tractor Unit onto the shaft of the printer mechanism, tilting the Pull Tractor Unit slightly backward.
6. Secure the Pull Tractor Unit firmly by lowering it into position, as shown in Figure 3-13.
7. Close the front cover with the transparent part in the open position.



**Figure 3-13.** Mount the Pull Tractor Unit onto the printer.

**NOTE :** Set the paper guide and rear cover aside carefully after they have been removed from the printer. Reverse the procedure described above when removing the Pull Tractor Unit.

## FONT CARTRIDGES AND RAM CARTRIDGES

This printer has seven built-in LQ fonts, and a 29 K-byte (76 K-byte for wide carriage type printer) printing buffer.

You can add the following optional fonts or expand the printing buffer by installing optional cartridges (Font Cartridge or RAM Cartridge).

### [FC-1Z Cartridge]

- Orator 2
- Letter Gothic
- Blippo
- Cinema

### [FC-2Z Cartridge]

- OCR-B
- OCR-A
- CODE 39
- UPC/EAN

### [FC-3Z Cartridge]

- TW-Light
- Orane

[FC-4Z Cartridge]

- Russian

[FC-5Z Cartridge]

- Old Style

- Firenze

[FC-10Z Cartridge]

- SLQ Script

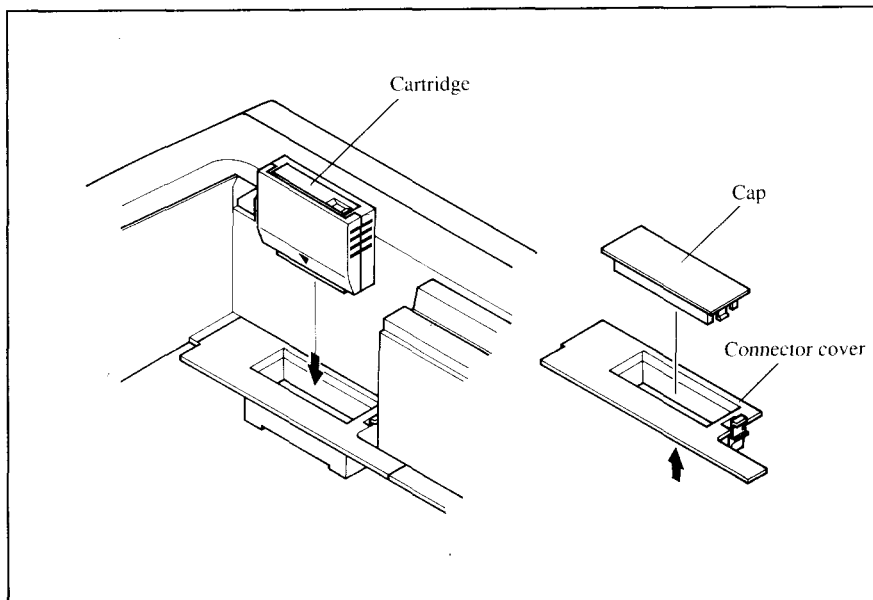
To install or change a cartridge, follow the procedure below.

1. Turn off the power switch at the front of the printer, and open the front cover.

Swing down the transparent part (see Figure 3-1).

2. Remove the connector cover at the right side of the printer.
3. Push out the cap from the connector cover.

**NOTE:** Keep this cap in a safe place.



**Figure 3-14.** Slide the cartridge into the slot with the power switch off.

4. Install the connector cover into the printer.
5. Insert the cartridge into the slot of the connector cover, and slide it all the way in.

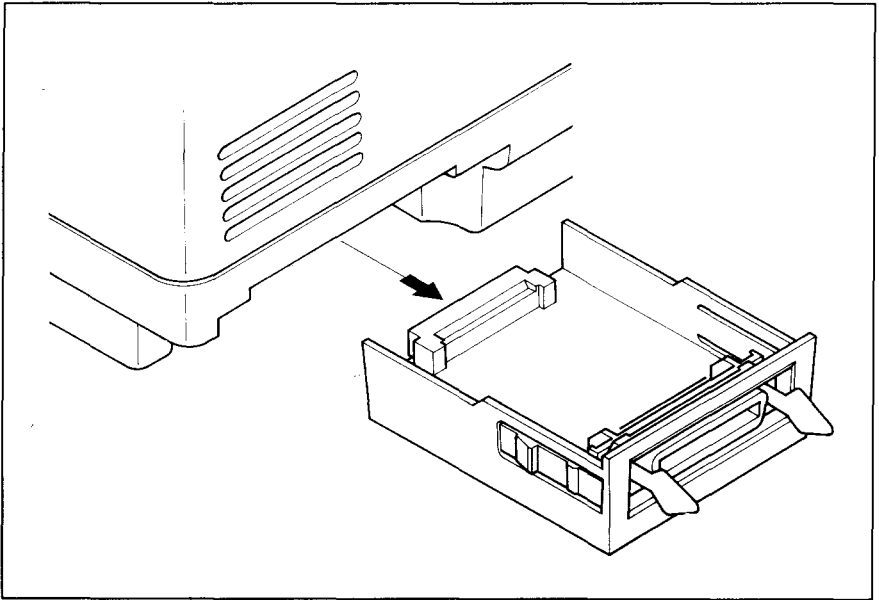
**NOTE:** Remount the cap on the connector cover if you do not use the optional cartridge.

## INTERFACE CARTRIDGES

You can use the Serial RS-232 Interface with the optional Serial Interface Cartridge (IS-8XL), or extend the print buffer by installing the optional Buffered Parallel Interface Cartridge (IP-128XL), instead of the Standard Interface Cartridge.

If you want to use the Serial Interface Cartridge, set the DIP switches on the board before install it to the printer.

1. Turn off the power switch and disconnect the power cord from the power source.
2. Disconnect the interface cable if attached.
3. Compress the projected parts on the right and left, and pull the Standard Interface Cartridge to remove it from the printer.



**Figure 3-15.** Remove the Standard Interface Cartridge from the printer.

4. Insert the optional Interface Cartridge securely into place.  
If it is not fully inserted, the printer will not properly print.
5. Connect the interface cable to the connector.

**NOTE:** Store the removed Interface Cartridge in a safe place.

# DIP Switch Functions on The Serial Interface Cartridge

It is necessary to make compatible the data transfer conditions between the computer and the serial interface board with the DIP switch settings on the serial interface board.

Following table shows the functions of the DIP switches on the Serial Interface Cartridge.

Switch	Function	ON	OFF
1	Data length	8-bit	7-bit
2	Parity condition	(Refer below)	
3	Data Protocol	(Refer below)	
4			
5	Parity condition	(Refer below)	
6	Transfer speed	(Refer below)	
7			
8			

[Parity condition]

Switch 2	Switch 5	Condition
ON	ON	No parity
ON	OFF	
OFF	ON	Odd parity
OFF	OFF	Even parity

[Data protocol]

Switch 3	Switch 4	Protocol
ON	ON	DTR
ON	OFF	XON/XOFF
OFF	ON	ETX/ACK

[Transfer speed]

Switch 6	Switch 7	Switch 8	Transfer speed
OFF	OFF	OFF	150 BPS
OFF	OFF	ON	300 BPS
OFF	ON	OFF	600 BPS
OFF	ON	ON	1200 BPS
ON	OFF	OFF	2400 BPS
ON	OFF	ON	4800 BPS
ON	ON	OFF	9600 BPS
ON	ON	ON	19200 BPS

---

# Chapter 4

## PAPER INSTALLATION AND USE

---

This chapter describes instructions for printing such as selecting paper types, adjusting the printing gap, and installing paper.

### SELECTION OF PAPER

Your printer accepts any of the following papers:

- **Single sheets (cut forms) and stationary**  
Use the friction feed or the optional Automatic Sheet Feeder.
  - **Fanfold forms**  
Fanfold forms have holes along the sides and perforations between the sheets. They are also called sprocket forms, punched forms, or just plain “computer paper”.  
Printing on or near the perforations of continuous fanfold forms may reduce printing quality, misalign the fanfold forms, or cause a paper jam. It is recommended not to print within an area of one inch before and after the perforations.
  - **Multi-part forms**  
You can use multi-part forms that have up to five parts including the original when the Multi-part mode is selected with the EDS setting. (For details, please refer to Chapter 6.)  
Use pressure sensitive multi-part forms with both side edges glued and a difference in thickness of 0.05mm or less between the side edges.  
It is recommended to use the bottom feed with the optional Pull Tractor Unit to get fine alignment.
- NOTE:** Care should be taken in color printing with continuous multi-part forms. Side edges of paper might be damaged.
- **Preprinted forms**

Figure 4-1 shows the recommended print area for each type of papers.

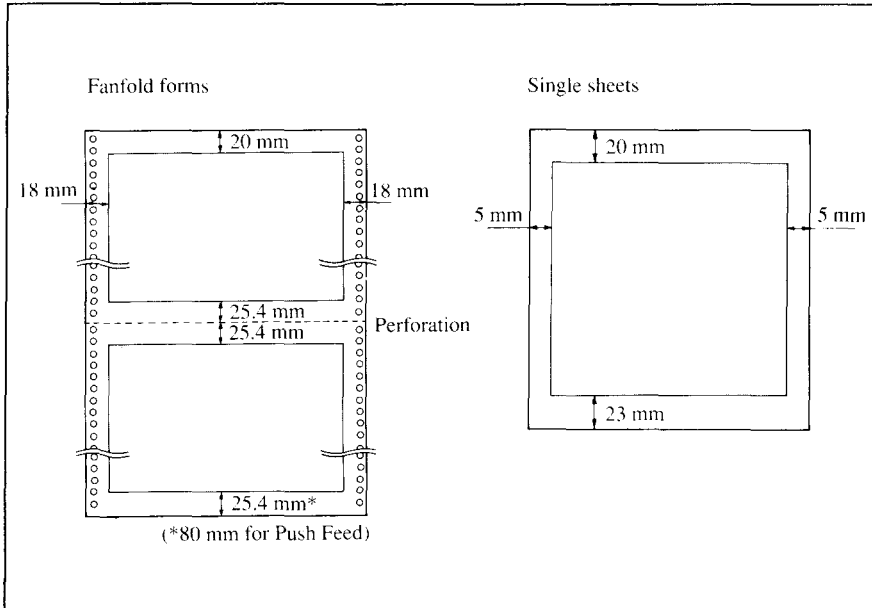


Figure 4-1. Recommended print area for acceptable papers.

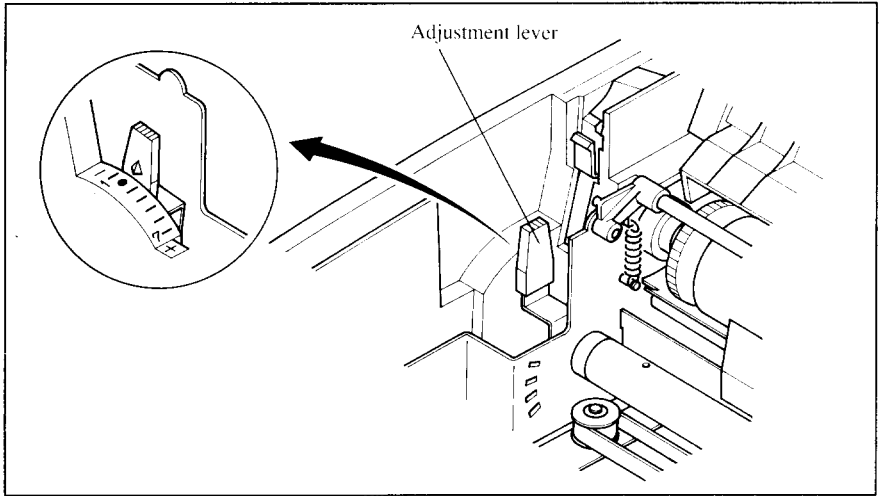
## ADJUSTING THE PRINTING GAP

The distance between the print head and the platen can be adjusted to accommodate different paper thicknesses. To make this adjustment, open the front cover. The adjustment lever is located at the left side of the printer mechanism. Pushing the adjustment lever backwards narrows the gap; pulling it forwards widens the gap.

There are seven positions, and you can feel the lever clicking into each position. The second position from the rear (marked with “•”) is the one most commonly used for single sheets of paper.

Try different positions until you get the best printing results.

**NOTE:** Printing with an inappropriate gap may drastically shorten the life of the print head.



**Figure 4-2.** Location of the adjustment lever.

The following table provides the recommended lever positions for each paper types as a reference.

Paper Type	Weight (g/m <sup>2</sup> ) (Each paper)	Thickness (mm) (Total)	Recommended Lever position
Single	52 ~ 90	0.07 ~ 0.12	2nd or 3rd
2-ply	40 ~ 58	0.12 ~ 0.16	2nd or 3rd
3-ply	40 ~ 58	0.18 ~ 0.25	3rd or 4th
4-ply	40 ~ 58	0.24 ~ 0.30	4th or 5th
5-ply	40 ~ 58	0.30 ~ 0.35	5th or 6th

## LOADING FANFOLD FORMS

This printer accepts fanfold forms up to 10" wide for the normal carriage printer, and up to 16" wide for the wide carriage printer.

You can load fanfold paper with the following three ways:

- Push feed with internal tractor unit
- Bottom feed with optional Pull Tractor Unit
- Push/Pull feed with internal tractor unit and the optional Pull Tractor Unit.

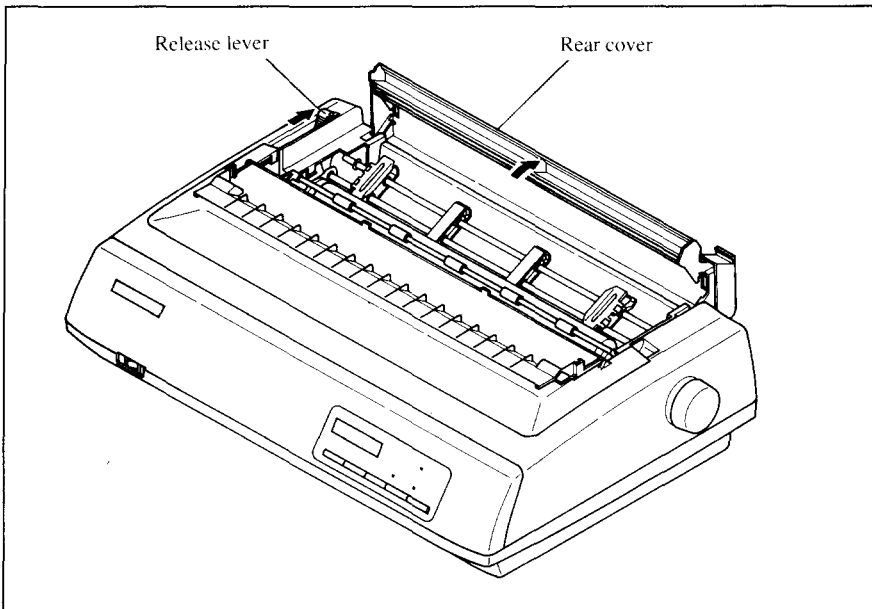
This section will take you through the procedures for loading, parking and unparking fanfold forms.



## ***Loading the paper from the rear of the printer (Push feed)***

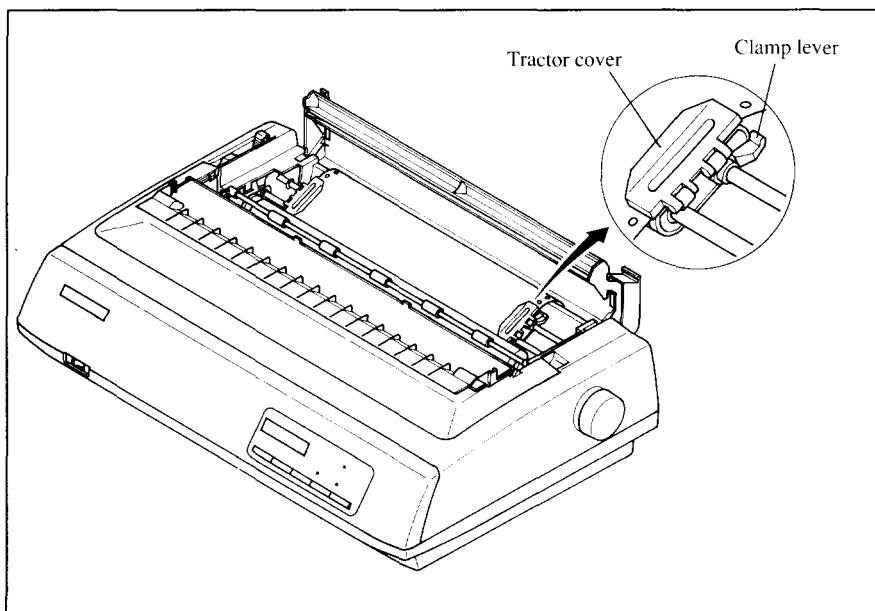
You can load the fanfold paper with the internal push tractor unit.

1. Place a stack of fanfold paper behind and at least one page-length below the printer:
2. Turn the printer's power OFF.
3. Push the release lever backward. This has the effect of releasing the paper from the platen roller, and engaging the tractor feed.
4. Remove the paper guide and put it aside for the moment.
5. Open the transparent part of the front cover, and the rear cover using the two grips on either side, as in Figure 4-3.



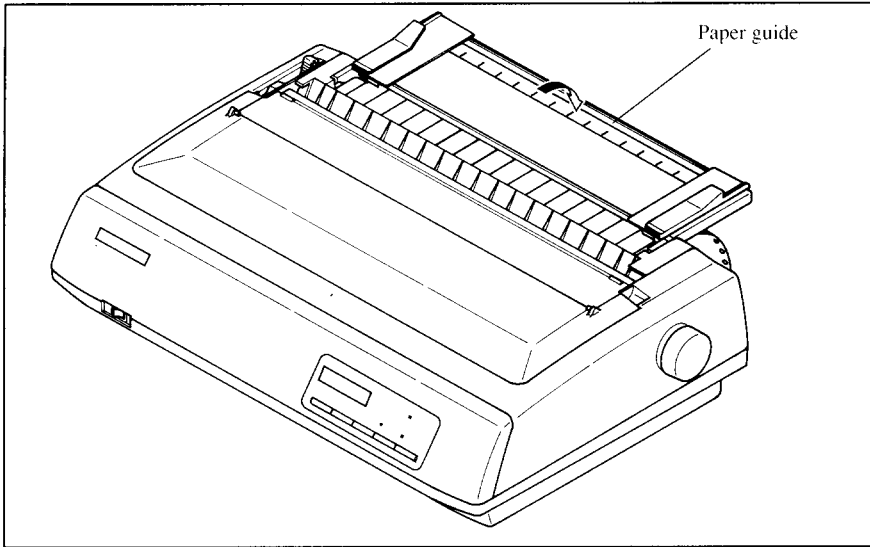
**Figure 4-3.** Opening the rear cover.

6. Pass the paper between the printer case and the rear cover.
7. With the tractor covers open, mount the paper by aligning holes with the pins on the tractor unit.
8. Adjust the spacing of the tractor units by sliding them along the bar, using the clamp lever at the back of each unit to release and lock them in position. When the clamp lever is up, the unit is released, and when it is down, the unit is locked.



**Figure 4-4.** Mount the fanfold paper over the tractor units.

9. Now close the tractor covers, again making sure that the paper holes are aligned with the pins on the tractor units. If they are not aligned properly, you will have problems with paper feeding, possibly resulting in tearing and jamming of the paper.
10. Turn on the power using the switch located at the front of the printer. The printer will beep, indicating that the paper is not yet fully loaded. The "PAPER OUT" message will also flash to confirm this.
11. Now press the  button. The paper will be fed and adjusted past the print head to a position ready for printing.
12. If you want to set the paper to a different position, set the printer off-line by pressing the  button, then set the paper by using the micro-feed function. (For details, refer to Chapter 5.)
13. Close the rear cover and the transparent part of the front cover, then mount the paper guide in the horizontal position shown in Figure 4-5, so that it will separate the printed from the unprinted paper.

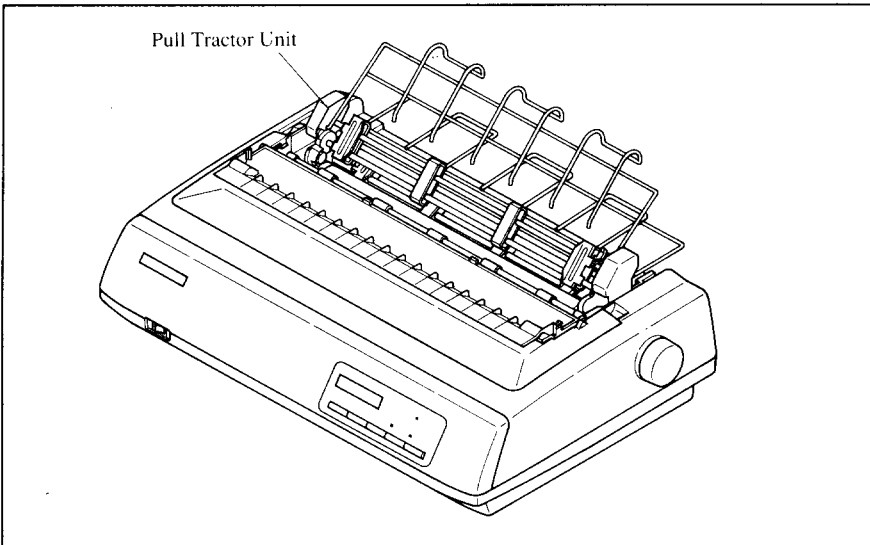


**Figure 4-5.** Mounting the paper guide for fanfold forms.

## ***Loading the paper from the bottom of the printer***

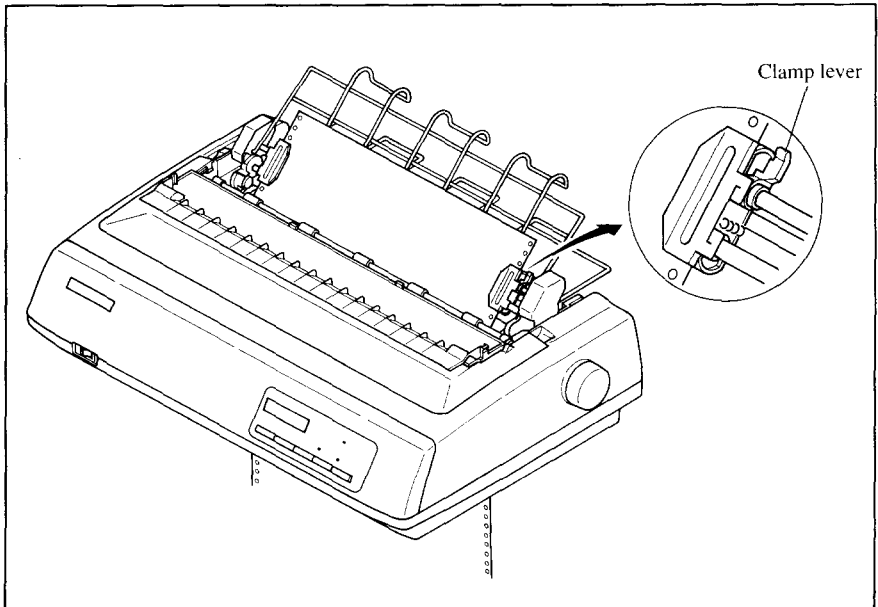
You can load the fanfold paper from the bottom of the printer with the optional Pull Tractor Unit.

1. Install the optional Pull Tractor Unit as described in Chapter 3.



**Figure 4-6.** Install the optional Pull Tractor Unit.

2. With the tractor covers open, mount the paper from the bottom of the printer, by aligning holes with the pins on the tractor unit.



**Figure 4-7.** Mount the fanfold paper from the bottom of the printer.

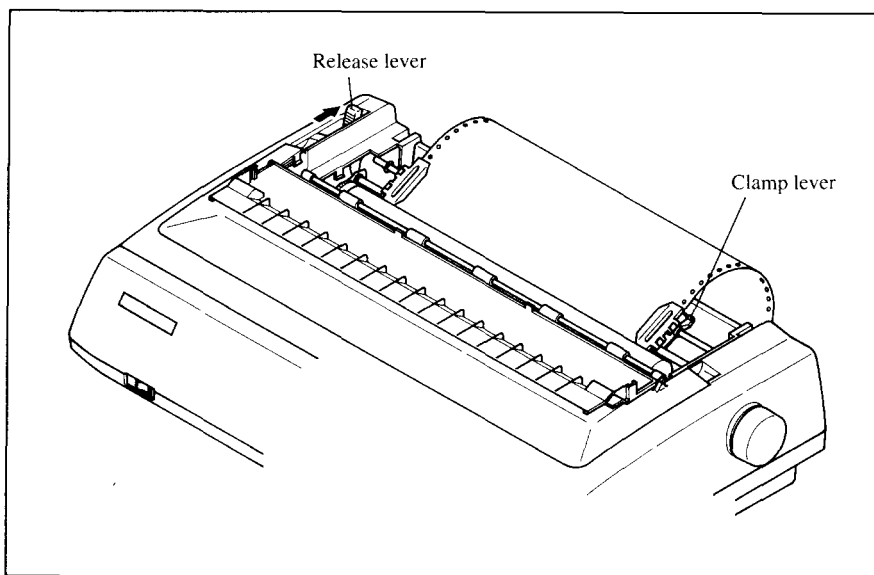
3. Adjust the spacing of the tractor units by sliding them along the bar, using the clamp lever at the back of each unit to release and lock them in position. When the lever is up, the unit is released, and when it is down, the unit is locked.
4. Now close the tractor covers, again making sure that the paper holes are aligned with the pins on the tractor units. If they are not aligned properly, you will have problems with paper feeding, possibly resulting in tearing and jamming of the paper.

### ***Loading the paper with Push/Pull feed***

You can load the fanfold paper with Push/Pull feed by using both the internal push tractor unit and the optional Pull Tractor Unit.

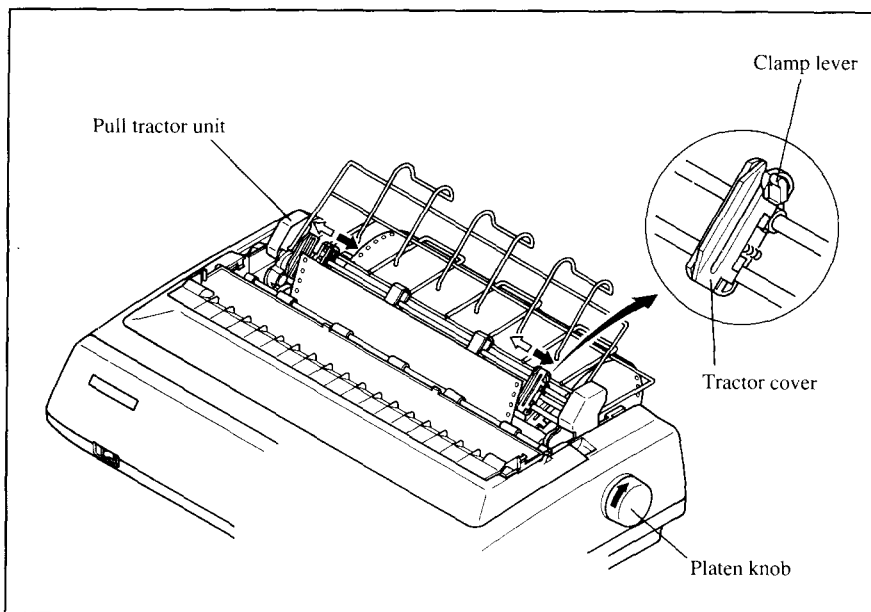
1. Place a stack of fanfold paper behind and at least one page-length below the printer.
2. Turn the printer's power OFF.
3. Push the release lever backward. This has the effect of releasing the paper from the platen roller, and engaging the tractor feed.

4. Open the transparent part of the front cover, and remove the paper guide and the rear cover.
5. With the tractor covers open, mount the paper by aligning holes with the pins on the tractor unit.
6. Adjust the spacing of the tractor units by sliding them along the bar, using the clamp lever at the back of each unit to release and lock them in position. When the clamp lever is up, the unit is released, and when it is down, the unit is locked.
7. Now close the tractor covers, again making sure that the paper holes are aligned with the pins on the tractor units. If they are not aligned properly, you will have problems with paper feeding, possibly resulting in tearing and jamming of the paper.



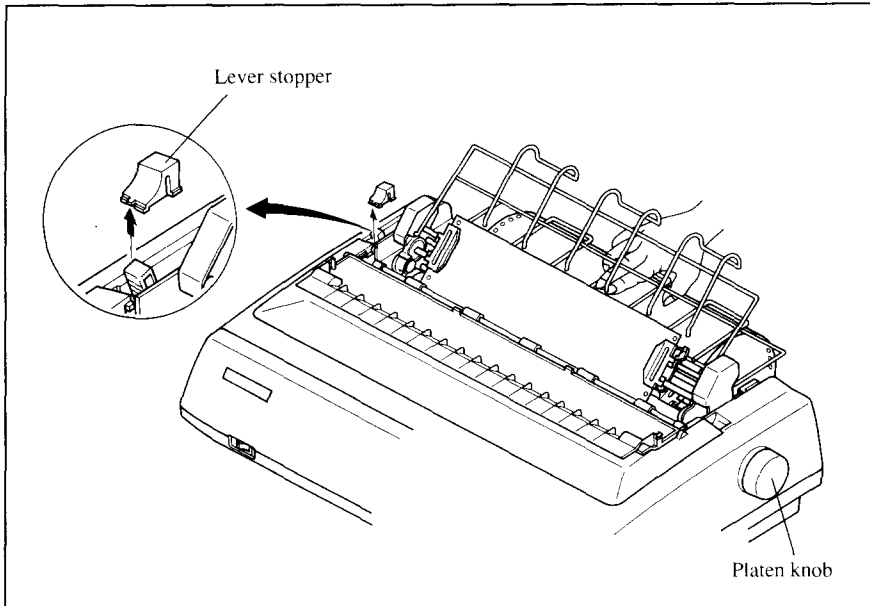
*Figure 4-8.* Mount the fanfold paper over the internal tractor units.

8. Turn on the power using the switch located at the front of the printer. The printer will beep, indicating that the paper is not yet fully loaded. The "PAPER OUT" message will also flash to confirm this.
9. Now press the **SET/EJECT PARK** button. The paper will be fed past the print head.
10. Turn off the power, and install the optional Pull Tractor Unit as described in Chapter 3.
11. With the optional tractor covers open, turn the platen knob clockwise to mount the paper by aligning holes with the pins on the optional tractor unit.



**Figure 4-9.** Mount the fanfold paper to the Pull Tractor Unit by turning the platen knob.

12. Adjust the spacing of the optional tractor units by sliding them along the bar, using the clamp lever at the back of each unit to release and lock them in position. When the lever is up, the unit is released, and when it is down, the unit is locked.
13. Now close the tractor covers, again making sure that the paper holes are aligned with the pins on the optional tractor units. If they are not aligned properly, you will have problems with paper feeding, possibly resulting in tearing and jamming of the paper.
14. Remove the lever stopper from the slot of the release lever as shown in Figure 4-10.
15. Set the release lever to the “•” position, and turn the platen knob clockwise to tighten the paper if it is slack.



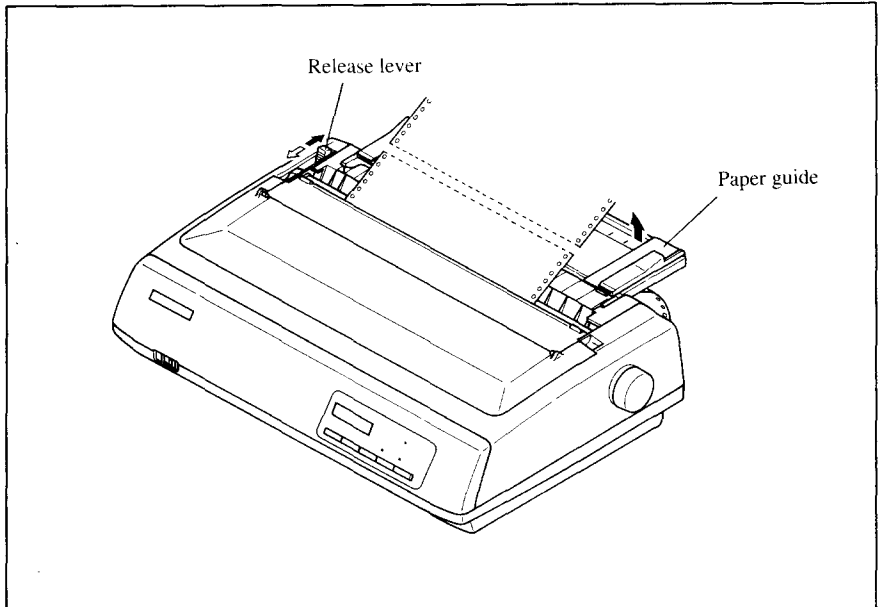
**Figure 4-10.** Remove the lever stopper, and tighten the paper.

16. Push the release lever backward, and remount the lever stopper to the original position.

## ***Paper parking***

After loading fanfold paper with Push feed mode, you do not have to unload it when you want to print on a single sheet. The printer will “park” it for you if you follow the procedure below.

1. To begin paper parking, start with power ON, fanfold paper loaded in printing position, and the release lever backward.
2. Press the  ON LINE  button on the control panel to set the printer off-line. ON LINE indicator will turn off.
3. Tear off the printed form at the last perforation, leaving not more than about half a page showing above the front cover. If necessary, press the  PAPER FEED  button to feed paper forward until a perforation is located just above the front cover, and tear there.
4. Press the  SET/EJECT/PARK  button on the control panel.  
The printer will automatically feed the fanfold form backward until the paper is completely free of the platen.
5. Move the release lever to the front.



**Figure 4-11.** Tear off the printed fanfold paper.

**6. Mount the paper guide in the upright position.**

Now you can load single sheets. The fanfold paper remains parked at the back of the printer.

**NOTE:** You cannot park the fanfold paper if you have loaded it using the optional Pull Tractor Unit.

## ***Paper unparking***

When you want to resume using fanfold paper, the procedure is as follows.

- 1 Remove all single sheets from the printer.
2. Mount the paper guide in the horizontal position.
3. Move the release lever to the backward.
4. Press the **SEJECT  
PARK** button. The printer will automatically feed the parked fanfold paper back into position for printing.

**NOTE:** The printer beeps intermittently if you move the release lever while the paper is loaded.



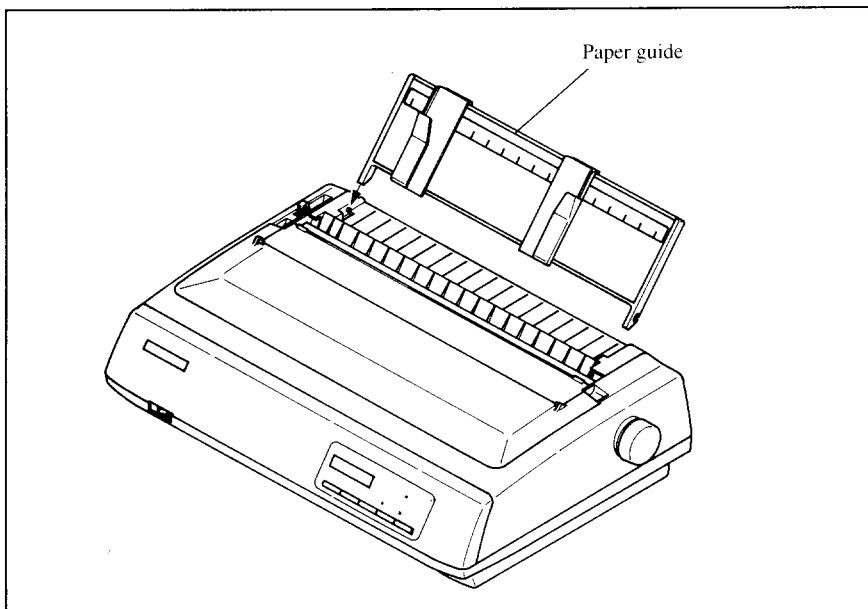
## LOADING SINGLE SHEETS

This section will take you through the procedures for loading single sheets of paper.


### *Loading the paper without optional accessories*

If you are using the optional Automatic Sheet Feeder, refer to next section.

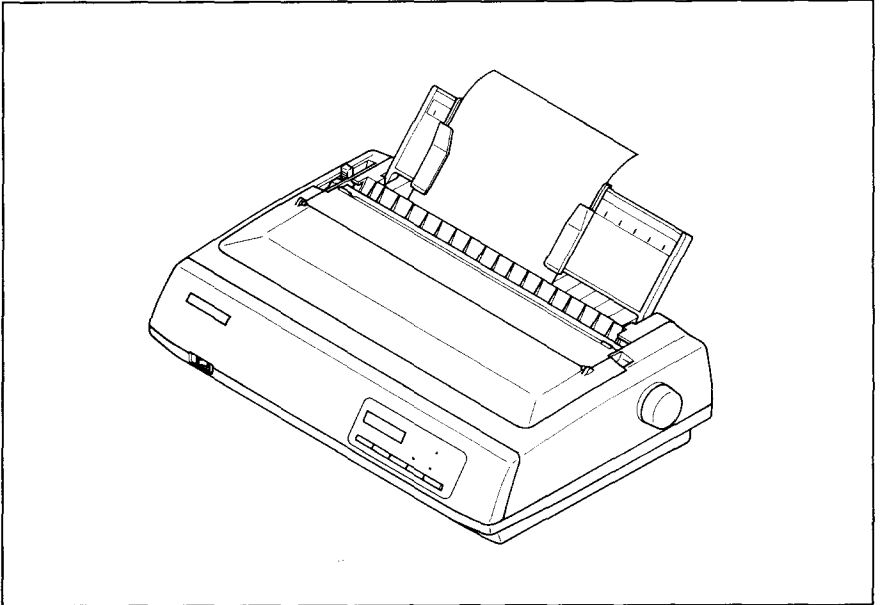
1. Place the paper guide in position by inserting the tabs, located on the bottom of the assembly, into the slots on the rear cover of the printer.



**Figure 4-12.** Mounting the paper guide for single sheets.

2. Adjust the paper guides to match the size of the paper you will be using. Remember that printing will start some distance from the left-hand edge of the carriage.
3. Turn on the power using the switch located at the front of the printer. The printer will beep, indicating that there is no paper in position for printing. The "PAPER OUT" message will also flash to confirm this.
4. Make sure that the release lever is at front position.  
If fanfold paper is already mounted in the printer, press the  button to park the paper in the off-line state, then move the release lever forward.

5. Place a single sheet between the guides, placing the side on which you want to print towards the back of the printer. Gently push the paper down in the guides until you feel it stop.
6. Now press the **SET/EJECT  
PARK** button. The paper will be fed into the printer and adjusted past the print head to a position ready for printing.
7. If you want to set the paper to a different position, set the printer off-line by pressing the **ON LINE** button, then set the paper position by using the micro-feed function. (For details, refer to Chapter 5.)

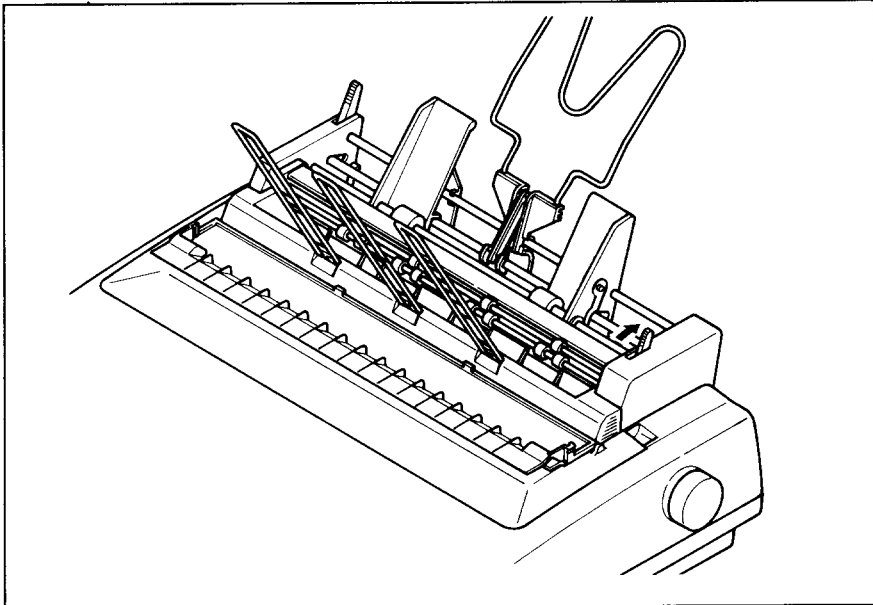


**Figure 4-13.** Loading a single sheet.

## **Loading the paper with optional Automatic Sheet Feeder**

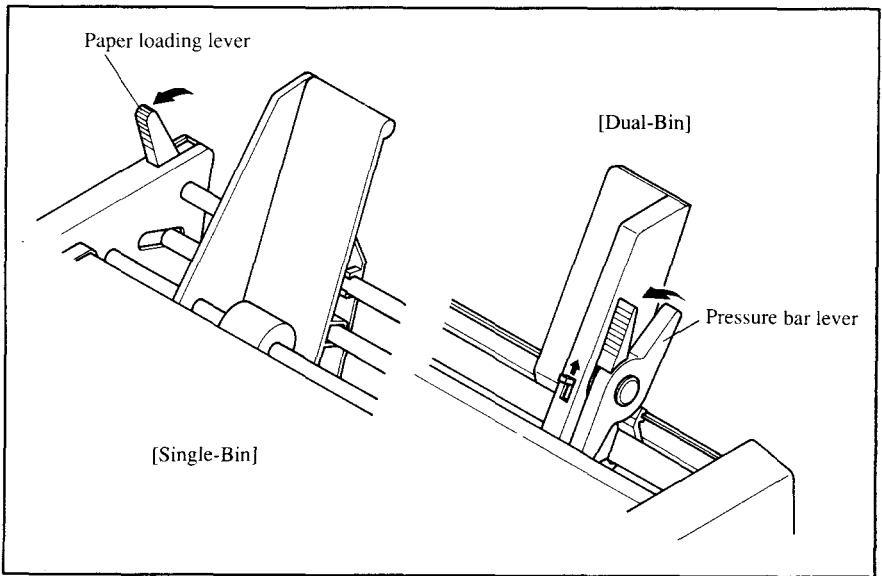
If you are not using the optional Automatic Sheet Feeder, refer to the previous section.

1. Install the optional Automatic Sheet Feeder as described in Chapter 3.



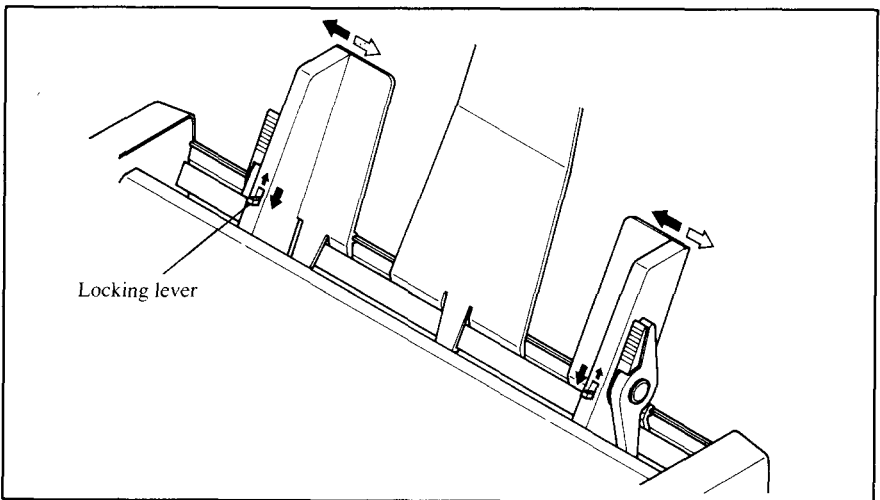
**Figure 4-14.** Install the optional Automatic Sheet Feeder.

2. Use the printer's EDS mode to select ASF. (For details, please refer to Chapter 6.)
3. If fanfold paper has already been loaded in the printer, park the paper through the rear slot.
4. Pull the printer release lever forward to load single sheets.
5. When you are using Single-Bin ASF, pull the paper loading lever forward to pull the hopper out until it is in position.  
In case of the Dual-Bin ASF, pull both pressure bar levers forward to open the pressure bar.



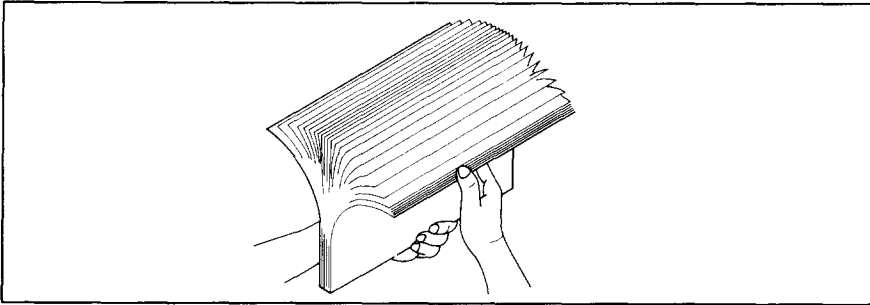
**Figure 4-15.** Make ready to load paper.

6. Adjust the left paper guide to the desired left position by moving it horizontally in either direction. (Unlock the paper guides by pressing down on the locking levers in case of Dual-Bin ASF.)
7. Lock the left paper guides in position by moving the locking lever up for the Dual-Bin ASF.



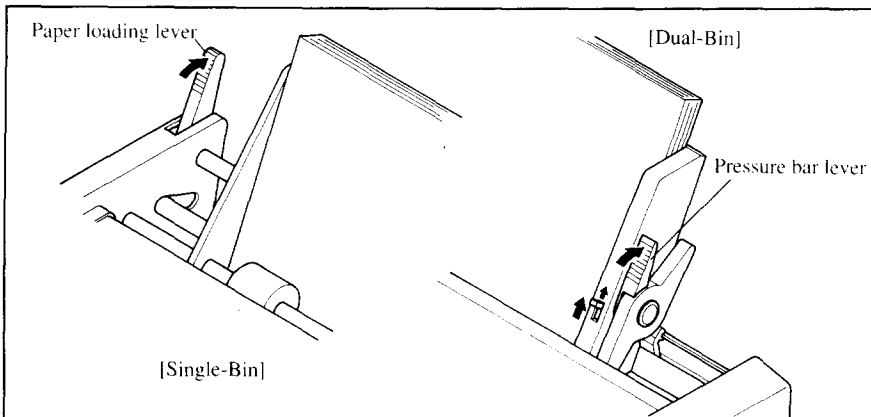
**Figure 4-16.** Adjust the paper guides to accommodate the width of the paper.

8. Adjust the right paper guide to accommodate the width of the paper.  
The guides should be adjusted to restrict the amount of horizontal play while allowing the paper to slide up and down freely between the two paper guides. The ideal distance between paper ream and paper guides is 0.25 mm (0.01") on both sides at the narrowest part of the paper guides.
9. Fan the paper stack and square it off properly before inserting it into the Automatic Sheet Feeder.



**Figure 4-17.** Fan the paper before inserting into the ASF.

10. Insert the paper stack into the Automatic Sheet Feeder.  
The stack should not be more than 15 mm (5/8") equivalent to 150 sheets of 20 lb paper.  
If necessary, remove some sheets. The ASF may not perform satisfactorily if it is overloaded.
11. When you are using Single-Bin ASF, push the paper loading lever toward the back.  
In case of the Dual-Bin ASF, push both pressure bar levers toward the back to "FEED".



**Figure 4-18.** Push the paper loading lever or pressure bar levers to hold the paper stack.

# Chapter 5

## CONTROL PANEL OPERATIONS

The control panel buttons can be pressed individually to perform the operations indicated by their names. Other functions can be achieved by holding these buttons down when you turn the printer's power on, or by pressing the control panel buttons in combination.

This chapter explains all the button and indicator functions.

- Pause printing
- Feed paper (fast and slow, forward and reverse)
- Park fanfold forms
- Set the top-of-form position
- Select the print pitch
- Select a font
- Print test patterns
- Prevent software from changing the panel pitch and font selections
- Print a hexadecimal dump
- Clear the printer's buffer
- Change the print color
- Store macro definition

### BUTTONS AND INDICATORS

The printer is equipped with five buttons on the control panel. From left to right they are  ,  ,  ,  and  .

The following is a brief guide to the buttons and indicators on the control panel.

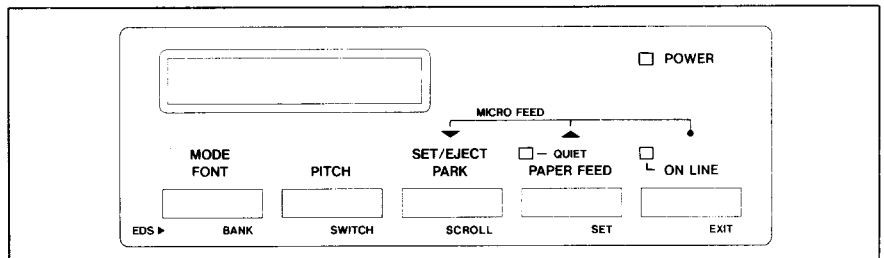


Figure 5-1. Control panel.

## **ON LINE button**

The  ON LINE button sets the printer on-line and off-line. The status changes each time you press the button.

When the printer is on-line, it can receive and print data from the computer. When the printer is off-line, it stops printing and sends the computer a signal indicating that it cannot accept data.

The printer powers up in the on-line status if paper is loaded. If paper is not loaded, the printer powers up off-line with the "PAPER OUT" message blinking. When you load paper, the printer goes on-line.

You will want to press the  ON LINE button:

- Before and after any other panel operation  
The other panel buttons operate only in the off-line state. Press the  ON LINE button to go off-line. After performing the panel operation(s), press the  ON LINE button again to go back on-line.
- To pause during printing  
If you press the  ON LINE button during printing, the printer stops printing and goes off-line, allowing you to check the printout or change a control panel setting. Printing resumes when you press the  ON LINE button again to go back on-line.
- To cut fanfold forms at the end of printing  
When you hold the  ON LINE button down for one second with the push tractor mode, the printer goes off-line and displays the "SHORT TEAR-OFF" message, then the printer also feeds the paper forward approximately two inches forward. This allows you to cut it off just below the last line printed.  
When you press the  ON LINE button again to go back on-line, the paper feeds backward stopping where you left off.

**NOTE:** This function is valid only when the buffer is empty.

## **PAPER FEED button**

If you press this button while off-line, the paper will feed forward. If you hold the button down, the printer will perform consecutive line feeds.

If you also press the  ON LINE button while you are line-feeding, the paper will feed automatically to the top of the next page. This is explained later.

If you press this button while on-line, this will alternately flash the QUIET indicator. When in Quiet mode with the QUIET indicator lit, the printer will print slightly slower, but at a reduced noise level.

## **SET/EJECT/PARK button**

**NOTE:** This button has no effect if the bottom feed mode is selected.

Pressing this button causes the printer to begin paper loading if the paper has not loaded while in the off-line state.

If the paper has been loaded, this button results in different functions depending on the position of the release lever.

If the release lever is back for the fanfold forms, pressing this button parks the forms.

If the release lever is forward for the single sheets, pressing this button ejects the paper.

## **PITCH button**

This button allows you to select the printing pitch. Remember that the printer must be off-line for you to do this. Successive presses of this button will display (and select) the following options in order (Note that semi-condensed pitch and condensed proportional pitch are not available in the IBM mode):

<b>Pitch</b>	<b>Message</b>
Pica (10CPI)	10
Elite (12CPI)	12
Semi-condensed (15CPI)	15
Condensed pica (17CPI)	17
Condensed elite(20CPI)	20
Proportional	PRO
Condensed proportional	P.C



## FONT button

This button selects the font to be printed. Roman font is selected at power-up unless the default settings are changed. To change the font, set the printer off-line, then press the  button repeatedly until the message on the display illuminates. The selections cycle in the following order:

Font	Message	Font	Message
Roman	ROMAN	H-Gothic	H-GOTHIC
Sanserif	SANSERIF	Orane	ORANE
Courier	COURIER	Cinema	CINEMA
Prestige	PRESTIGE	Bar code 39	CODE 39
Script	SCRIPT	UPC/EAN	UPC/EAN
OCR-B	OCR-B	Old Style	O STYLE
OCR-A	OCR-A	Firenze	FIRENZE
Orator with small caps	ORATOR	SLQ Roman	ROMAN SQ
Orator with lower case	ORATOR-2	SLQ TW-light	TW-LIGHT SQ
TW-light	TW-LIGHT	SLQ Script	SCRIPT SQ
Letter Gothic	L GOTHIC	Draft	DRAFT
Blippo	BLIPPO	High-Speed Draft	HS-DRAFT

If a Font cartridge is not installed, the selection of related Font is skipped.

If you want to change the character quality quickly, press this  button in on-line. The printer stops printing and enters the Quick mode, with "QUICK MODE" message on the display.

If you continue to press the  button, the display changes to "HS-DRAFT", "DRAFT" and LQ/SLQ (currently-selected SLQ or LQ font) repeatedly.

Printing will be performed according to the print mode message on the display which selected when the button is released.

# POWER-UP FUNCTIONS

In addition to their normal functions, all the control panel buttons have special functions that operate if you hold them down while switching power on.

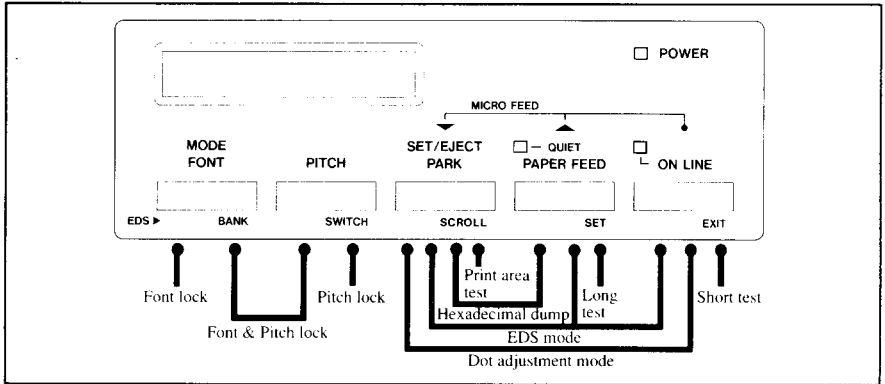


Figure 5-2. Power-up functions of control panel.

## Short test mode

If the printer is turned on while the **ON LINE** button is pressed, the printer will enter the short self-test mode, with the “SELF TEST SHORT” message on the display. The printer will print the version number of the printer’s ROM, followed by seven lines of the character set.

Each line will be offset by one character from the one before it. The final result will be something like Figure 5-3. (If the color ribbon is used, each line prints in a different color.)

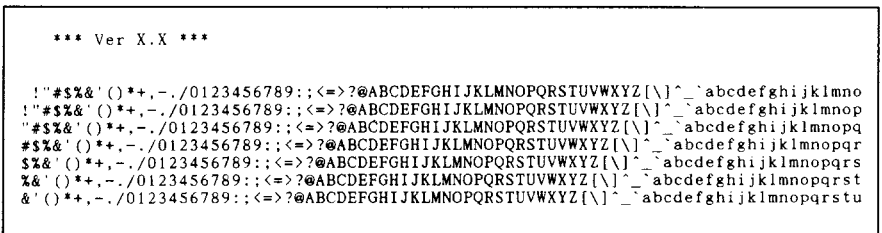


Figure 5-3. Short self-test.

Since the self-test occupies the full width of the carriage, it is recommended that the printer is loaded with the widest paper possible to avoid damage to the print head and/or platen.

# Long test mode

If the printer is turned on while the **PAPER FEED** button is pressed, the printer will enter the long self-test mode, with the "SELF TEST LONG" message on the display. The printer will print the version number of the printer's ROM, the current EDS settings and the current Dot Adjustment setting, followed by the whole character set printed in each font and pitch available.

The test cycles endlessly, so you must turn the power off to stop it.

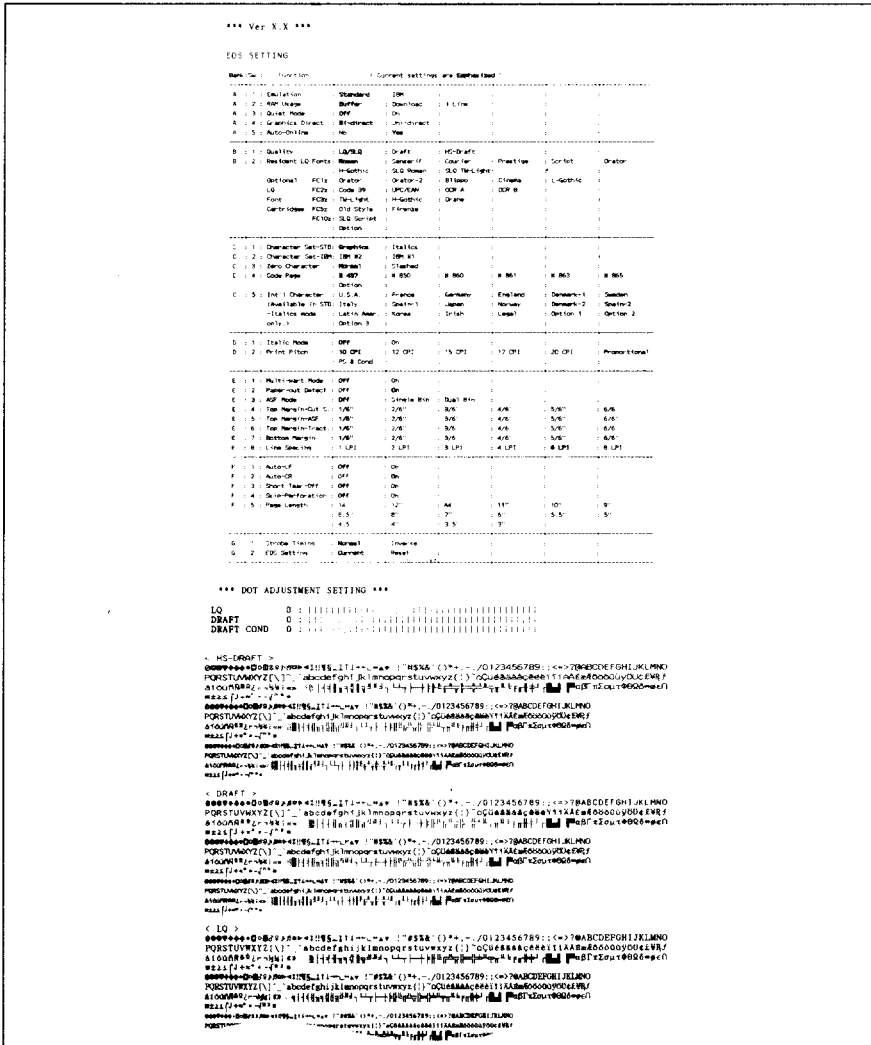


Figure 5-4. Long self-test.

Since the self-test occupies the full width of the carriage, it is recommended that the printer is loaded with the widest paper possible to avoid damage to the print head and/or platen. In addition, the total number of lines printed is considerable, more than can be accommodated on a single sheet, so fanfold paper is recommended for this test.

## ***Print area test mode***

By holding the  button down during power-up, the printer will enter the print area test mode. This way, you can find how many lines on your paper are available for printing. The printer will show the "SELF TEST TOP&B." on the display and print the first line message, then print the last line message after feeding to the bottom of the page.

If you have loaded the fanfold paper, only the first line message is printed.

## ***Pitch lock mode***

By holding the  button down during power-up, the print pitch can only be selected from the control panel. This prevents software interference. You will hear an acknowledging beep, and the printer will show the "PITCH LOCK" message on the display as power comes on.

After the beep tone, you can set the printer off-line, select a print pitch, then return to on-line and start printing. The pitch you selected will show with "\*" on the display and not be reset or otherwise changed by any commands your software may issue.

## ***Font lock mode***

By holding the  button during power-up, fonts can only be selected from the control panel. This prevents software interference. There will be an acknowledging beep and "FONT LOCK" message on the display. After which you can set the printer off-line, select a font, then return to the on-line state and begin printing. The selected font, shown with "\*" on the display, will not be changed by any commands your software may issue.

## ***Font and Pitch lock mode***

If you want to protect both the pitch and font settings from software changes, press both the  and  buttons during power-up. There will be two acknowledging beep tones and "FONT&PITCH LOCK" message on the display.

Pressing these buttons during power-up does not prevent you from making any number of changes later from the control panel.

# Hexadecimal dump

This feature is useful for programmers who are debugging printing programs and want to see the actual codes the printer is receiving. (Some computers change the codes the programmer intended.)

In this mode, all data received will be printed in a hexadecimal dump format, rather than the control codes being acted on as command codes.

This mode is accessed with the following procedure:

1. While holding both the **PAPER FEED** and **REJECT PARK** buttons down, turn power ON. A beep tone will be heard and the "HEX DUMP MODE" message on the display.
2. Begin printing. In place of the usual printout you will get a formatted dump showing exactly what data the printer receives. Each line presents sixteen characters, their hexadecimal codes to the left and printable characters printed on the right.
3. At the end of the hexadecimal dump, set the printer off-line with the **ON LINE** button. This is necessary to print the last line.

The following BASIC program is a simple test you can run in hexadecimal mode:

```
10 WIDTH "LPT1:",255
20 FOR I=0 TO 255
30 LPRINT CHR$(I);
40 NEXT I
50 LPRINT
60 END
```

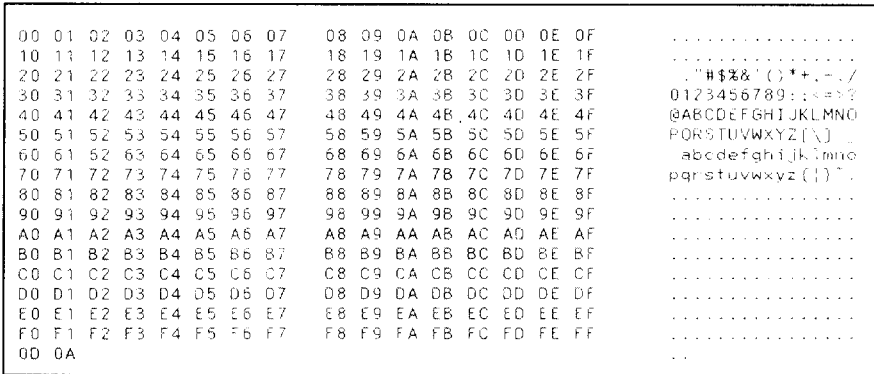


Figure 5-5. Sample hexadecimal dump.

If your system passes the codes directly to the printer without changing them, you will get a printout like Figure 5-5.

Most BASICs, however, are not quite that straightforward. For example, the IBM-PC will give you a printout similar to Figure 5-6.

00	01	02	03	04	05	06	07	08	09	0A	0B	0C	0D	0A	0E	.....
0F	10	11	12	13	14	15	16	17	18	19	1B	1C	1D	1E	1F	.....
20	21	22	23	24	25	26	27	28	29	2A	2B	2C	2D	2E	2F	!"#\$%&'()*+,-./
30	31	32	33	34	35	36	37	38	39	3A	3B	3C	3D	3E	3F	0123456789:;<=>?
40	41	42	43	44	45	46	47	48	49	4A	4B	4C	4D	4E	4F	@ABCDEFGHIJKLMNO
50	51	52	53	54	55	56	57	58	59	5A	5B	5C	5D	5E	5F	PQRSTUVWXYZ[\]^_`
60	61	62	63	64	65	66	67	68	69	6A	6B	6C	6D	6E	6F	~ abcdefghijklmno
70	71	72	73	74	75	76	77	78	79	7A	7B	7C	7D	7E	7F	~ pqrstuvwxyz{ }~.
80	81	82	83	84	85	86	87	88	89	8A	8B	8C	8D	8E	8F	.....
90	91	92	93	94	95	96	97	98	99	9A	9B	9C	9D	9E	9F	.....
A0	A1	A2	A3	A4	A5	A6	A7	A8	A9	AA	AB	AC	AD	AE	AF	.....
B0	B1	B2	B3	B4	B5	B6	B7	B8	B9	BA	BB	BC	BD	BE	BF	.....
C0	C1	C2	C3	C4	C5	C6	C7	C8	C9	CA	CB	CC	CD	CE	CF	.....
D0	D1	D2	D3	D4	D5	D6	D7	D8	D9	DA	DB	DC	DD	DE	DF	.....
E0	E1	E2	E3	E4	E5	E6	E7	E8	E9	EA	EB	EC	ED	EE	EF	.....
F0	F1	F2	F3	F4	F5	F6	F7	F8	F9	FA	FB	FC	FD	FE	FF	.....
0D	0A															..

Figure 5-6. Sample hexadecimal dump with IBM-PC.

When the IBM-PC BASIC interpreter sends hex code 0D (carriage return) it adds an extra hex 0A (line feed). Hex code 1A (end-of-file) also gets special treatment: the interpreter does not send it at all. This can cause problems with graphics or download character data. However, you can solve this problem by changing line 30 in the preceding program and adding the coding shown below.

Coding for IBM-PC with monochrome display:

```

30 GOSUB 100
100 X=INP(&H3BD) :IF X<128 THEN 100
110 OUT &H3BC,I :OUT &H3BE,5 :OUT &H3BE,4
120 RETURN

```

Coding for IBM-PC with color adapter:

```

30 GOSUB 100
100 X=INP(&H379) :IF X<128 THEN 100
110 OUT &H378,I :OUT &H37A,5 :OUT &H37A,4
120 RETURN

```

# SWITCH COMBINATION FUNCTIONS

Several additional functions can be achieved by pressing the control panel buttons in combinations.

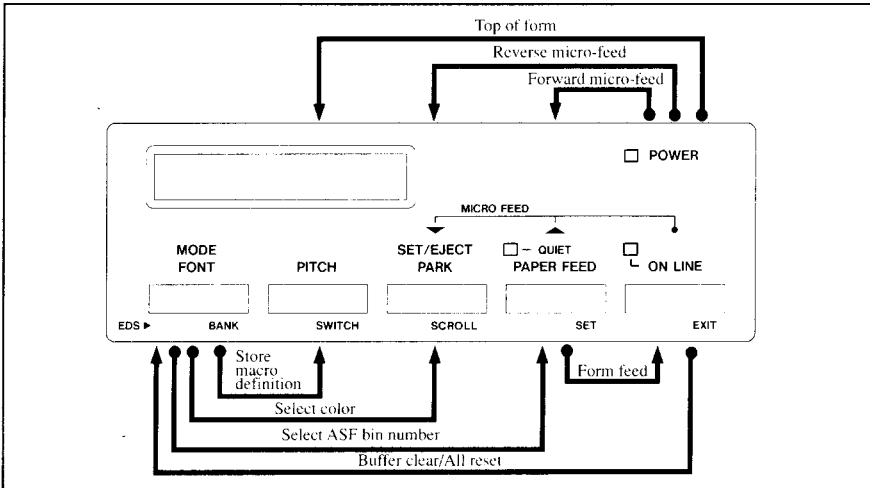


Figure 5-7. Switch combination functions of control panel.

## Form feed

If you are using single sheets, this operation ejects the current page. If you are using fanfold forms, it feeds to the top of the next page.

1. Press the  ON LINE button to set the printer off-line.
2. Press the  PAPER FEED button and hold it down. The printer will start performing successive line feeds.
3. While holding the  PAPER FEED button down, press the  ON LINE button, then release both buttons at the same time. The printer will smoothly eject the current page.

## Top of form

When you power on the printer, the top-of-form position is automatically set to the current position. If this is not where you want the top of the page to be, you can change the top-of-form position as follows:

1. Press the  ON LINE button to set the printer off-line.
2. Move the paper to the desired top-of-form position by pressing the  PAPER FEED button, or by performing a forward or reverse micro-feed.

3. Press and hold the  button.
4. While holding the  button down, press and the  button, then release both buttons at the same time. The "SET TOF POSITION" message will show on the display to indicate that the top-of-form position has been set.

## ***Forward micro-feed***

For fine alignment, you can feed the paper forward in very small increments as follows:

1. Press the  button to set the printer off-line.
2. Press the  button again and hold it down.
3. While holding the  button down, press the  button. The paper will start advancing in a series of small steps. When you want to stop, release both buttons.

## ***Reverse micro-feed***

You can also feed the paper in small increments in reverse, to return to a higher position on the same page.

**NOTE:** With fanfold forms, do not try to return to a previous page. The perforation may catch inside the printer.

1. Press the  button to set the printer off-line.
2. Press the  button again and hold it down.
3. While holding the  button down, press the  button. The paper will start moving backwards in a series of small steps. When you want to stop, release both buttons.

## ***Changing the auto loading value***

Normally, the printer automatically loads the paper one line from the top edge.

If you want to change this value, follow this procedure:

1. Load the paper using the  button.
2. Change the print position using the micro feed function.
3. After you get the desired position, press the  button to save the value.

The "TOP MARGIN SET" message will show on the display.



This value will remain unless you power off the printer. If you want to retain this value even after you turn off the power, store it using the Macro Definition function, which is described later.

Note that you can only change this value immediately after loading paper. If you feed paper, you cannot change the auto loading value.

## ***Clearing the buffer/All reset***

The printer stores received data in a large memory buffer. This creates a problem when you want to abandon a printing job and restart: the printer may be holding more data in its buffer than it has actually printed, and this unprinted data must be cleared out before restarting. Turning power off is one way to clear the buffer, but there is another way:

1. Halt the printing program on the computer. If printing stops immediately, the buffer is clear and the rest of this procedure is unnecessary. If printing does not stop, continue as follows:
2. Press the  button to set the printer off-line. Printing will now stop, but there may be data remaining in the buffer.
3. Press and hold the  button.
4. While pressing the  button down, press and hold the  button. Continue holding these two buttons down. In one second you will hear a beep tone and the "BUFFER CLEAR" message on display signaling that the buffer has been cleared.  
If you hold these buttons more three seconds, you will hear three beep tones and the "PRINTER RESET" message on the display signaling that the printer has been initialized to the power-on default settings.
5. Release these buttons, make any necessary control panel settings, then set the printer back on-line.

It is essential to halt the printing program on the computer before you go off-line. Otherwise, when you go back on-line the computer will start sending data again and the printer will continue printing, with missing data where the buffer was cleared.

## ***Selecting the print color***

Normally, the printer prints with black even if the color ribbon is installed. Without the aid of software, you can change the printing color as follows:

1. Press the  button to set the printer off-line.
2. Press the  button and hold it down.

- While holding the **MODE FONT** button, press the **SET/EJECT PARK** button. The "CURRENT BLACK" message will show on the display to indicate the current color setting. (In this case, the current color is set black.)
- If you want to change the color, press the **SET/EJECT PARK** button while holding the **MODE FONT** button.

The message on the display will be changed in the following order.

Color	Message	Color	Message
Black	CHANGE BLACK	Yellow	CHANGE YELLOW
Magenta	CHANGE MAGENTA	Orange	CHANGE ORANGE
Cyan	CHANGE CYAN	Green	CHANGE GREEN
Violet	CHANGE VIOLET		

- Release both buttons after you set the desired printing color.  
If you want to save the selected color for later use, store it using the Macro Definition.

**NOTE:** This function is valid only when the color ribbon is installed into the printer.

## Selecting the ASF bin number

You can use the dual-bin type Automatic Sheet Feeder (SF-10RMII/15RMII) with this printer.

You can select this ASF bin number by the control panel operation as shown below:

- Press the **ON LINE** button to set the printer off-line.
- Press the **MODE FONT** button and hold it down.
- While holding down the **MODE FONT** button, press the **PAPER FEED** button.  
The "CURRENT ASF BIN1" message (when ASF bin #1 is selected) will show on the display.
- Each time you press the **PAPER FEED** button while holding down the **MODE FONT** button, the "CHANGE ASF BIN1" and the "CHANGE ASF BIN2" message will be shown on the display.
- Release both buttons after you set the desired ASF bin number.

**NOTE:** This function is valid only when the Dual-bin ASF is selected by the EDS setting.

## **Store Macro Definition**

You can store the current settings to the printer for later use with the following procedure:

1. Press the  button to set the printer off-line.
2. Press the  button and hold it down.
3. While holding the  button down, press the  button and hold them down until the "SET MACRO" message shows on the display.
4. Release both buttons at the same time after this message to store the current setting.

If you release these buttons after the "CLEAR MACRO" message is shown on the display, the macro is cleared.

**NOTE:** You can store the following settings with this procedure.

- Current Font and Pitch
- Current auto-loading amount for cut sheet
- Current auto-loading amount for continuous paper
- Current auto-loading amount in ASF mode
- Current print color

Data to be stored are controlled in Standard mode and IBM mode separately. For example, the data stored in the Standard mode are not effective in the IBM mode, and vice versa.

# Chapter 6

## DEFAULT SETTINGS

From the control panel you can change the parameters that define how your printer works. Parameter just means “variable”. If you are familiar with earlier kinds of printers, you’ll understand that this printer parameters control pretty much the same things DIP switches do. This function is called as Electronic DIP Switch (EDS) mode.

### HOW TO SET THE EDS MODE

The EDS mode has 29 kinds of functions you can set as the power-on default.

Turn the printer on while simultaneously holding the **SET/EJECT PARK**, **PAPER FEED** and **ON LINE** buttons.

The “ELECTRIC DIP SW” message will show on the display, and enter the EDS mode.

In EDS mode, the buttons on the control panel are used as shown below in Figure 6-1.

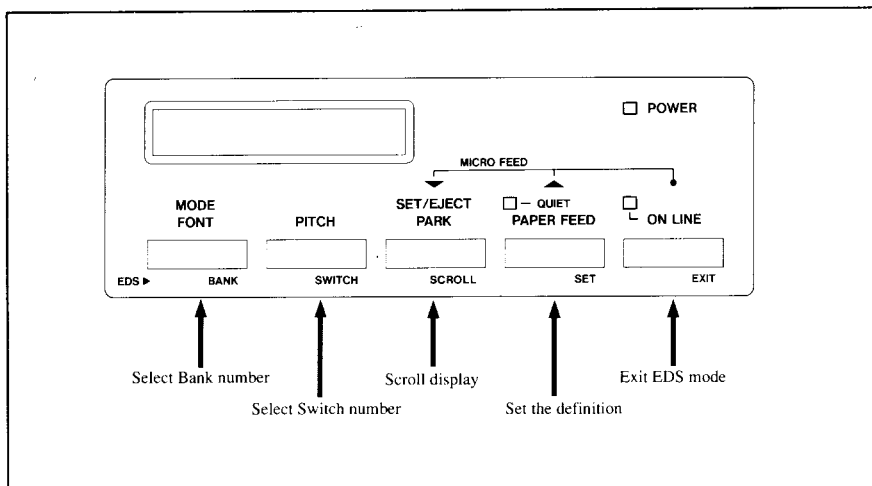


Figure 6-1. Button functions in the EDS mode.

- Use the  button to select the Bank Number.
- Use the  button to select the Switch Number.
- The display on the control panel shows the current setting.  
If you want to scroll it, press the  button.
- Press the  button to set the current settings.
- Press the  button to exit the EDS mode.

If you want to confirm the current EDS settings, try to run the long self-test.  
(For details, refer to Chapter 5.)

## FUNCTIONS OF THE EDS SETTINGS

The printer stores the parameters as easy-to-use program menu items that you can select from the control panel while in the EDS mode. These parameters specify:

- Command (which commands the printer accept)
- Font (which font to print)
- Character (which character set to print)
- Style (which style to print)
- Layout (how pages will be formatted)
- Forms (what paper the printer will use)
- Others

A default is the setting the printer will use if none is specifically selected by a program. When you first turn on or later reset your printer these default settings will take effect.

Following table shows the default settings at the factory.

Display Message	Meaning
A1 EMULATION STD	Standard emulation mode is selected.
A2 RAM BUFFER	RAM is used as the print buffer.
A3 QUIET OFF	Quiet mode is cancelled.
A4 GRAPH DIR BI	Bi-directional printing is selected for graphics.
A5 AUTO-ONLINE Y	Auto on-line mode is selected.
B1 MODE LQ/SLQ	LQ/SLQ mode is selected.
B2 LQ ROMAN	Roman font is selected for LQ/SLQ mode.
C1 STD GRAPH	Graphic set is selected for Standard character set.
C2 IBM IBM#2	Set #2 is selected for IBM character set.
C3 ZERO NORMAL	Normal zero character is selected.
C4 CODEPAGE #437	Code Page #437 (U.S.A.) is selected.
C5 COUNTRY USA	U.S.A. character set is selected.
D1 ITALIC OFF	Italic print mode is cancelled.
D2 PITCH 10	Pica pitch (10 CPI) is selected.
E1 MULTIPART OFF	Multi-part mode is cancelled.
E2 PAPER-OUT ON	Paper-out detector is enabled.
E3 ASF OFF	Optional ASF is not installed.
E4 T.MGN-CUT 1/6	Top margin for cut forms is set to 1/6 inch.
E5 T.MGN-ASF 1/6	Top margin for ASF is set to 1/6 inch.
E6 T.MGN-TRA 1/6	Top margin for fanfold forms is set to 1/6 inch.
E7 BOTTM MGN 1/6	Bottom margin is set to 1/6 inch.
E8 L.P.I. 6	6 lines can be printed on one inch.
F1 AUTO-LF OFF	LF must be from host.
F2 AUTO-CR ON	Auto CR with LF.
F3 TEAR-OFF OFF	Tear-off function is disabled.
F4 SKIP-PERF OFF	Skip-over-perforation is disabled.
F5 PAGE-LGTH 11	Page length is set to 11 inches.
G1 STROBE NORMAL	Set the normal interface timing.
G2 EDS CURRENT	Set the current EDS settings.

## Command parameters

The Command parameters are assigned to Bank "A", including these functions:

- **Emulation**  
Select the mode compatible with your computer and software. In Standard mode the printer operates like the Epson LQ-860/LQ-1060. In IBM mode it operates like the IBM Proprinter X24E/XL24E.
- **RAM usage**  
In order to download characters this switch must be set "DOWNLOAD". The printer then uses its RAM memory for storing character patterns and provides only a one-line print buffer.  
If you leave this switch, the printer uses its RAM memory as an input buffer, allowing the computer to send data faster than the printer prints.
- **Quiet mode**  
You can select the Quiet mode as the power-on default by setting this switch.  
When in Quiet mode, the printer will print slightly slower, but at a reduced noise level.
- **Graphics direction**  
When printing in dot graphics mode, the printer may either print bi-directionally (in alternate directions) for speed or in one direction only (uni-directional for increased accuracy).  
For practically all purposes, however, bi-directional printing is sufficiently accurate.
- **Auto On-Line**  
Set the status just after loaded the paper into the printer.  
When the Auto-Online is set ON, the printer automatically goes on-line.  
When it is set OFF, you must press the  ON LINE  button to set on-line after load the paper.

Following table shows the display messages and those meanings for the Bank "A".

Display Message	Meaning
A1 EMULATION STD	Standard emulation mode is selected.
A1 EMULATION IBM	IBM emulation mode is selected.
A2 RAM BUFFER	RAM is used as the print buffer.
A2 RAM DOWNLOAD	Download commands are enabled.
A2 RAM 1 LINE	RAM is used as only one-line buffer.
A3 QUIET OFF	Quiet mode is cancelled.
A3 QUIET ON	Quiet mode is selected.
A4 GRAPH DIR BI	Bi-directional printing is selected for graphics.
A4 GRAPH DIR UNI	Uni-directional printing is selected for graphics.
A5 AUTO-ONLINE Y	Auto on-line mode is selected.
A5 AUTO-ONLINE N	Need to press the <b>ON LINE</b> button to set on-line.

## Font parameters

The Font parameters are assigned to Bank "B", including these functions:

- Mode

Select the mode of font quality.

HS Draft prints with the highest speed, but the dot matrix is reduced to print faster.

Draft has a reduced dot matrix compared to Letter Quality, but the print quality is better than the HS Draft.

Letter Quality is referred as LQ, and there are many font styles as shown below.

The SLQ (Super Letter Quality) is the highest quality of this printer, and there are three types of font styles.

- LQ/SLQ Font styles

There are many font styles for LQ and SLQ print mode. You can select one of them as the power-on default by setting this switch.

Optional fonts can be selected only when the corresponding font cartridge is installed in the printer.

If the corresponding font cartridge is not installed after you selected it with this EDS mode, the Roman is selected.



Following table shows the display messages and those meanings for the Bank “B”.

<b>Display Message</b>	<b>Meaning</b>
B1 MODE LQ/SLQ	LQ/SLQ mode is selected.
B1 MODE DRAFT	Draft mode is selected.
B1 MODE HS-DRAFT	HS Draft mode is selected.
B2 LQ ROMAN	Roman font is selected for LQ/SLQ mode.
B2 LQ SANSERIF	Sanserif font is selected for LQ/SLQ mode.
B2 LQ COURIER	Courier font is selected for LQ/SLQ mode.
B2 LQ PRESTIGE	Prestige font is selected for LQ/SLQ mode.
B2 LQ SCRIPT	Script font is selected for LQ/SLQ mode.
B2 LQ OCR-B	OCR-B font is selected for LQ/SLQ mode.
B2 LQ OCR-A	OCR-A font is selected for LQ/SLQ mode.
B2 LQ ORATOR	Orator font is selected for LQ/SLQ mode.
B2 LQ ORATOR-2	Orator font with lower case is selected for LQ/SLQ mode.
B2 LQ TW-LIGHT	TW-Light font is selected for LQ/SLQ mode.
B2 LQ L GOTHIC	Letter Gothic font is selected for LQ/SLQ mode.
B2 LQ BLIPPO	Blippo font is selected for LQ/SLQ mode.
B2 LQ H GOTHIC	H-Gothic font is selected for LQ/SLQ mode.
B2 LQ ORANE	Orane font is selected for LQ/SLQ mode.
B2 LQ CINEMA	Cinema font is selected for LQ/SLQ mode.
B2 LQ CODE 39	Code 39 font is selected for LQ/SLQ mode.
B2 LQ UPC/EAN	UPC/EAN font is selected for LQ/SLQ mode.
B2 LQ O STYLE	Old Style font is selected for LQ/SLQ mode.
B2 LQ FIRENZE	Firenze font is selected for LQ/SLQ mode.
B2 SLQ ROMAN	SLQ Roman font is selected for LQ/SLQ mode.
B2 SLQ TW-LIGHT	SLQ TW-Light font is selected for LQ/SLQ mode.
B2 SLQ SCRIPT	SLQ Script font is selected for LQ/SLQ mode.

## ***Character parameters***

The Character parameters are assigned to Bank "C", including these functions:

- **Standard Character Set**  
If you selected Standard mode, you can set either italic or graphic characters.  
When you select the "Italic" characters, the character table is the same as the Epson printers.  
When you select the "Graphic" characters, in place of italics you will get the graphic characters, international characters, and mathematical symbols of IBM character set #2.
- **IBM Character Set**  
If you selected IBM mode, you can select either character set #1 or #2. Character set #2 is for computers with an 8-bit interface (the most common kind), and set #1 is for computers with a 7-bit interface.
- **Zero style**  
This switch tells the printer how to print zero's.  
When the "NORMAL" is selected, the printer prints the normal zero; when it is "SLASHED", the slash zero (which is often used in draft mode to prevent any possible confusion with the letter "O").
- **IBM Code Page**  
Except in the Standard Italic character set, this switch selects the default character code page.
- **International Character Set**  
International character sets differ in their assignment of 14 character codes in the Standard Italic character set.

Following table shows the display messages and those meanings for the Bank "C".

Display Message	Meaning
C1 STD GRAPH	Graphic set is selected for Standard character set.
C1 STD ITALIC	Italic set is selected for Standard character set.
C2 IBM IBM#2	Set #2 is selected for IBM character set.
C2 IBM IBM#1	Set #1 is selected for IBM character set.
C3 ZERO NORMAL	Normal zero character is selected.
C3 ZERO SLASHED	Slashed zero character is selected.
C4 CODEPAGE #437	Code Page #437 (U.S.A.) is selected.
C4 CODEPAGE #850	Code Page #850 (Multi-lingual) is selected.
C4 CODEPAGE #860	Code Page #860 (Portuguese) is selected.
C4 CODEPAGE #861	Code Page #861 (Icelandic) is selected.
C4 CODEPAGE #863	Code Page #863 (Canadian French) is selected.
C4 CODEPAGE #865	Code Page #865 (Nordic) is selected.
C5 COUNTRY USA	U.S.A. character set is selected.
C5 COUNTRY FRA	France character set is selected.
C5 COUNTRY GER	Germany character set is selected.
C5 COUNTRY UK	England character set is selected.
C5 COUNTRY DEN1	Denmark character set 1 is selected.
C5 COUNTRY SWEDN	Sweden character set is selected.
C5 COUNTRY ITALY	Italy character set is selected.
C5 COUNTRY SPA1	Spain character set 1 is selected.
C5 COUNTRY JAPAN	Japan character set is selected.
C5 COUNTRY NORWY	Norway character set is selected.
C5 COUNTRY DEN2	Denmark character set 2 is selected.
C5 COUNTRY SPA2	Spain character set 2 is selected.
C5 COUNTRY LTN.A	Latin America character set is selected.
C5 COUNTRY KOREA	Korea character set is selected.
C5 COUNTRY IRE	Irish character set is selected.
C5 COUNTRY LEGAL	Legal character set is selected.
C5 COUNTRY OPT 1	Optional character set 1 is selected.
C5 COUNTRY OPT 2	Optional character set 2 is selected.
C5 COUNTRY OPT 3	Optional character set 3 is selected.

## Style parameters

The Style parameters are assigned to Bank "D", including these functions:

- **Italic print**  
Selects to print all characters with Italic style, or not.  
This is different from the italic characters in the Standard Italic character table.
- **Print pitch**  
Selects the default print pitch.  
Note that semi-condensed pitch and condensed proportional pitch are not available in the IBM mode.

Following table shows the display messages and those meanings for the Bank "D".

Display Message	Meaning
D1 ITALIC OFF	Italic print mode is cancelled.
D1 ITALIC ON	Italic print mode is selected.
D2 PITCH 10	Pica pitch (10 CPI) is selected.
D2 PITCH 12	Elite pitch (12 CPI) is selected.
D2 PITCH 15	Semi-condensed pitch (15 CPI) is selected.
D2 PITCH 17	Condensed pica pitch (17 CPI) is selected.
D2 PITCH 20	Condensed elite pitch (20 CPI) is selected.
D2 PITCH PS	Proportional pitch is selected.
D2 PITCH PS+CND	Condensed proportional pitch is selected.

## Layout parameters

The Layout parameters are assigned to Bank "E", including these functions:

- **Multi-part mode**  
You can use up to 3-ply paper with normal mode. If you want to print on 4-ply or 5-ply paper, set the Multi-part mode ON.
- **Paper-out detector**  
When this switch is OFF the printer ignores the paper-out detector and prints down to (and beyond) the bottom edge. Otherwise leave it ON.
- **Automatic Sheet Feeder**  
In order to use the optional Automatic Sheet Feeder, set this switch to the related position.
- **Top margin setting for each paper type**  
Sets the first line position on the each paper type.
- **Bottom margin**  
Sets the last line position on the paper.
- **Lines per Inch**  
Sets how many lines to be printed in one inch.

Following table shows the display messages and those meanings for the Bank "E".

Display Message	Meaning
E1 MULTIPART OFF	Multi-part mode is cancelled.
E1 MULTIPART ON	Multi-part mode is selected.
E2 PAPER-OUT OFF	Paper-out detector is disabled.
E2 PAPER-OUT ON	Paper-out detector is enabled.
E3 ASF OFF	Optional ASF is not installed.
E3 ASF-SINGL ON	Single-Bin ASF is installed.
E3 ASF-DUAL ON	Dual-Bin ASF is installed.
E4 T.MGN-CUT 1/6	Top margin for cut forms is set to 1/6 inch.
E4 T.MGN-CUT 2/6	Top margin for cut forms is set to 2/6 inch.
E4 T.MGN-CUT 3/6	Top margin for cut forms is set to 3/6 inch.
E4 T.MGN-CUT 4/6	Top margin for cut forms is set to 4/6 inch.
E4 T.MGN-CUT 5/6	Top margin for cut forms is set to 5/6 inch.
E4 T.MGN-CUT 6/6	Top margin for cut forms is set to 6/6 inch.

<b>Display Message</b>	<b>Meaning</b>
E5 T.MGN-ASF 1/6	Top margin for ASF is set to 1/6 inch.
E5 T.MGN-ASF 2/6	Top margin for ASF is set to 2/6 inch.
E5 T.MGN-ASF 3/6	Top margin for ASF is set to 3/6 inch.
E5 T.MGN-ASF 4/6	Top margin for ASF is set to 4/6 inch.
E5 T.MGN-ASF 5/6	Top margin for ASF is set to 5/6 inch.
E5 T.MGN-ASF 6/6	Top margin for ASF is set to 6/6 inch.
E6 T.MGN-TRA 1/6.	Top margin for fanfold forms is set to 1/6 inch.
E6 T.MGN-TRA 2/6	Top margin for fanfold forms is set to 2/6 inch.
E6 T.MGN-TRA 3/6	Top margin for fanfold forms is set to 3/6 inch.
E6 T.MGN-TRA 4/6	Top margin for fanfold forms is set to 4/6 inch.
E6 T.MGN-TRA 5/6	Top margin for fanfold forms is set to 5/6 inch.
E6 T.MGN-TRA 6/6	Top margin for fanfold forms is set to 6/6 inch.
E7 BOTTM MGN 1/6	Bottom margin is set to 1/6 inch.
E7 BOTTM MGN 2/6	Bottom margin is set to 2/6 inch.
E7 BOTTM MGN 3/6	Bottom margin is set to 3/6 inch.
E7 BOTTM MGN 4/6	Bottom margin is set to 4/6 inch.
E7 BOTTM MGN 5/6	Bottom margin is set to 5/6 inch.
E7 BOTTM MGN 6/6	Bottom margin is set to 6/6 inch.
E8 L.P.I. 1	1 line can be printed on one inch.
E8 L.P.I. 2	2 lines can be printed on one inch.
E8 L.P.I. 3	3 lines can be printed on one inch.
E8 L.P.I. 4	4 lines can be printed on one inch.
E8 L.P.I. 6	6 lines can be printed on one inch.
E8 L.P.I. 8	8 lines can be printed on one inch.

## ***Forms parameters***

The Forms parameters are assigned to Bank "F", including these functions:

- **Auto Line Feed**

If you set this switch OFF, a separate line-feed code is required from your computer to obtain a line feed.

If you set this switch ON, the printer performs both a carriage return and line feed each time it receives a carriage-return code.

Most computer systems send a line feed code, or both a carriage return and line feed, at the end of each line, so this switch should be left OFF.

If you get double line spacing when you expect single spacing, or if lines overprint each other, try changing the setting of this switch.

- **Auto Carriage Return**

If you set this switch OFF, a separate carriage-return code is required from your computer to return to the left margin.

If you set this switch ON, the printer performs both a carriage return and line feed each time it receives a line-feed code.

- **Tear-Off function**

You can select the Tear Off function with this switch ON.

When using fanfold paper, the Tear Off function allows you to tear off one sheet of paper without fully advancing the following sheet.

- **Skip-over-perforation**

You can select the Skip-over-perforation with this switch ON.

It is recommended to skip close to the perforation of fanfold forms to get good print quality.

If you cannot set this function with your software, set this switch ON. The printer automatically skips the perforations.

- **Page length**

You can set a different page length to accommodate your paper with this switch.

Following table shows the display messages and those meanings for the Bank “F”.

Display Message	Meaning
F1 AUTO-LF OFF	LF must be from host.
F1 AUTO-LF ON	Auto LF with CR.
F2 AUTO-CR OFF	CR must be from host.
F2 AUTO-CR ON	Auto CR with LF.
F3 TEAR-OFF OFF	Tear-off function is disabled.
F3 TEAR-OFF ON	Tear-off function is selected.
F4 SKIP-PERF OFF	Skip-over-perforation is disabled.
F4 SKIP-PERF ON	Skip-over-perforation is selected.
F5 PAGE-LGTH 14	Page length is set to 14 inches.
F5 PAGE-LGTH 12	Page length is set to 12 inches.
F5 PAGE-LGTH A4	Page length is set to compatible for A4 size.
F5 PAGE-LGTH 11	Page length is set to 11 inches.
F5 PAGE-LGTH 10	page length is set to 10 inches.
F5 PAGE-LGTH 9	Page length is set to 9 inches.
F5 PAGE-LGTH 8.5	Page length is set to 8.5 inches.
F5 PAGE-LGTH 8	Page length is set to 8 inches.
F5 PAGE-LGTH 7	Page length is set to 7 inches.
F5 PAGE-LGTH 6	Page length is set to 6 inches.
F5 PAGE-LGTH 5.5	Page length is set to 5.5 inches.
F5 PAGE-LGTH 5	Page length is set to 5 inches.
F5 PAGE-LGTH 4.5	Page length is set to 4.5 inches.
F5 PAGE-LGTH 4	Page length is set to 4 inches.
F5 PAGE-LGTH 3.5	Page length is set to 3.5 inches.
F5 PAGE-LGTH 3	Page length is set to 3 inches.



## ***Other parameters***

The Other parameters are assigned to Bank "G", including these functions:

- **STROBE timing**  
This switch controls the timing of the interface.  
Most computers can communicate with the Normal timing, as the factory-setting.  
If you were not possible to communicate with your computer to the printer, set this switch to "INVERSE".
- **EDS setting**  
If you want to cancel your EDS settings and return to the factory-settings, set this switch "RESET".

Following table shows the display messages and those meanings for the Bank "G".

<b>Display Message</b>	<b>Meaning</b>
G1 STROBE NORMAL	Set the normal interface timing.
G1 STROBE INVRSE	Set the inversed interface timing.
G2 EDS CURRENT	Set the current EDS settings.
G2 EDS RESET	Resets the EDS setting to the factory-set.

## DOT ADJUSTMENT MODE

This mode is used to adjust the alignment of the print head on successive bi-directional passes.

After a period of some months, your printer may work itself out of alignment on left and right printing passes, showing itself most obviously in graphics printing. This mode will probably be used very rarely.

1. Turn the printer off and then turn it on again while holding down the **SET/EJECT PARK** and **ON LINE** buttons. The display on the control panel shows "DOT-ADJUSTMENT" message, and prints something like the following:

```

*** DOT ADJUSTMENT SETTING ***
LQ          0 : |||.....|

```

2. The printer will feed the paper forwards and backwards during this operation, allowing you to view the paper for optimum alignment.
3. To adjust the printing, use the **SET/EJECT PARK** and **PAPER FEED** buttons. The **SET/EJECT PARK** button will move the second pass to the left. The **PAPER FEED** button will move the second pass to the right.

```

*** DOT ADJUSTMENT SETTING ***
LQ          0 : |||.....|
SET/EJECT PARK → LQ      -1 : |||.....|
PAPER FEED → LQ          0 : |||.....|

```

4. When the two passes are aligned with each other to form one continuous line, the bi-directional alignment test is completed.
5. To change the mode for which the bi-directional adjustment is performed, press the **ON LINE** button. This will cycle between "LQ", "DRAFT" and "DR.COND.".

Repeat the process for all print modes.

```

*** DOT ADJUSTMENT SETTING ***
LQ          0 : |||.....|
LQ          -1 : |||.....|
LQ          0 : |||.....|
ON LINE → DRAFT      0 : |||.....|
PAPER FEED → DRAFT    +1 : |||.....|
SET/EJECT PARK → DRAFT  0 : |||.....|

```

6. To exit from this mode, press the  button.

```
*** DOT ADJUSTMENT SETTING ***
LQ          0 : |||
LQ          -1 : |||
LQ          0 : |||
DRAFT       0 : |||
DRAFT       +1 : |||
DRAFT       0 : |||
 → DRAFT COND 0 : |||
 →
*** END ***
```

---

# Chapter 7

## PRINTER CONTROL COMMANDS

---

The printer has two emulation modes: Standard mode and IBM mode. In standard mode, the printer emulates the functions of the Epson LQ-860/LQ-1060, and the graphics commands for NEC 24-wire printers. In IBM mode, the printer emulates the IBM Proprinter X24E/XL24E. Additional command codes are included as a superset of these emulations.

The emulation is changed by means of EDS switch A-1. When "EMULATION STD", the printer will be in standard mode, and when "EMULATION IBM", the printer will be in IBM mode (see Chapter 6). It is not possible to change the emulation by means of software control.

This chapter describes the printer's control commands. Some commands are common to both the standard and IBM modes. In the descriptions of the commands, all commands will given by functions. The name of each command is followed by a table like the one below:

Mode	ASCII	Decimal	Hexadecimal
Std.	<ESC> "x" "1"	27 120 49	1B 78 31
	<ESC> "x" <1>	27 120 1	1B 78 01

**Mode:** Indicates the mode in which the command is recognized.

Std. Standard mode (EDS switch A-1 is "EMULATION STD".)

IBM IBM mode (EDS switch A-1 is "EMULATION IBM".)

Both Both standard and IBM modes

**ASCII:** Indicates the ASCII coding of the command. Control characters are enclosed in pointed brackets: For example, <1> means character code 1.

**Decimal:** Gives the command in decimal character codes.

**Hexadecimal:** Gives the command in hexadecimal character codes.

Parameters for which values must be supplied are indicated by italic letters such as *n*, *m* or *d*.

# FONT CONTROL COMMANDS

## *Select draft quality characters*

Mode	ASCII	Decimal	Hexadecimal
Std.	<ESC> "x" "0"	27 120 48	1B 78 30
	<ESC> "x" <0>	27 120 0	1B 78 00

Changes from letter quality to draft quality. Ignored if the FONT LOCK mode was selected during power-up.

## *Select draft pica characters*

Mode	ASCII	Decimal	Hexadecimal
IBM	<ESC> "I" <0>	27 73 0	1B 49 00

Changes to draft quality characters with pica pitch (10 cpi). Ignored if the FONT LOCK or PITCH LOCK mode was selected during power-up.

## *Select draft elite characters*

Mode	ASCII	Decimal	Hexadecimal
IBM	<ESC> "I" <8>	27 73 8	1B 49 08

Changes to draft quality characters with elite pitch (12 cpi). Ignored if the FONT LOCK or PITCH LOCK mode was selected during power-up.

## *Select draft condensed characters*

Mode	ASCII	Decimal	Hexadecimal
IBM	<ESC> "I" <16>	27 73 16	1B 49 10

Changes to draft quality characters with condensed pitch (17 cpi). Ignored if the FONT LOCK or PITCH LOCK mode was selected during power-up.

## Select LQ characters

Mode	ASCII	Decimal	Hexadecimal
Std.	<ESC> "x" "1"	27 120 49	1B 78 31
	<ESC> "x" <1>	27 120 1	1B 78 01

Changes from draft quality to letter quality. The initial LQ font is Roman unless a different font has been selected by a preceding command. Ignored if the FONT LOCK mode was selected during power-up.

## Select LQ pica characters

Mode	ASCII	Decimal	Hexadecimal
IBM	<ESC> "I" <2>	27 73 2	1B 49 02

Changes to letter quality characters with pica pitch (10 cpi). Ignored if the FONT LOCK or PITCH LOCK mode was selected during power-up.

## Select LQ elite characters

Mode	ASCII	Decimal	Hexadecimal
IBM	<ESC> "I" <LF>	27 73 10	1B 49 0A

Changes to letter quality characters with elite pitch (12 cpi). Ignored if the FONT LOCK or PITCH LOCK mode was selected during power-up.

## Select LQ condensed characters

Mode	ASCII	Decimal	Hexadecimal
IBM	<ESC> "I" <DC2>	27 73 18	1B 49 12

Changes to letter quality characters with condensed pitch (17 cpi). Ignored if the FONT LOCK or PITCH LOCK mode was selected during power-up.

## Select LQ proportional characters

Mode	ASCII	Decimal	Hexadecimal
IBM	<ESC> "I" <3>	27 73 3	1B 49 03

Changes to letter quality characters with proportional pitch. Ignored if the FONT LOCK or PITCH LOCK mode was selected during power-up.

## Select LQ font

Mode	ASCII	Decimal	Hexadecimal
Both	<ESC> "k" <i>n</i>	27 107 <i>n</i>	1B 6B <i>n</i>
Std.	<FS> "C" <i>n</i>	28 67 <i>n</i>	1C 43 <i>n</i>

Selects an LQ font according to the value of *n*. In draft mode, this command remains dormant and takes effect later when LQ is selected. Ignored if the FONT LOCK mode was selected during power-up or the corresponding Font Cartridge is not installed.

<i>n</i>	Font	<i>n</i>	Font
0	Roman	11	Blippo (FC-1Z)
1	Sanserif	12	H-Gothic
2	Courier	13	Orane (FC-3Z)
3	Prestige	14	Cinema (FC-1Z)
4	Script	15	CODE 39 (FC-2Z)
5	OCR-B (FC-2Z)	16	UPC/EAN (FC-2Z)
6	OCR-A (FC-2Z)	17	Old Style (FC-5Z)
7	Orator	18	Firenze (FC-5Z)
8	Orator 2 (FC-1Z)	32	SLQ Roman
9	TW-Light (FC-3Z)	33	SLQ TW-Light
10	Letter Gothic (FC-1Z)	34	SLQ Script (FC-10Z)

## Select font

Mode	ASCII	Decimal	Hexadecimal
Both	"(" "(" "F" ")" ")" <i>d</i>	40 40 70 41 41 <i>d</i>	28 28 46 29 29 <i>d</i>

Changes to the font according to the value of *d*. Ignored if the FONT LOCK mode was selected during power-up or the corresponding Font Cartridge is not installed.

<i>d</i>	Font	
0	Roman	
1	Sanserif	
2	Courier	
3	Prestige	
4	Script	
5	OCR-B	(FC-2Z)
6	OCR-A	(FC-2Z)
7	Orator	
8	Orator 2	(FC-1Z)
9	Draft	

### **Select italic characters**

Mode	ASCII	Decimal	Hexadecimal
Std.	<ESC> "4"	27 52	1B 34

Causes subsequent characters to be printed in italics.

### **Select upright characters**

Mode	ASCII	Decimal	Hexadecimal
Std.	<ESC> "5"	27 53	1B 35

Stops italic printing and causes subsequent characters to be printed upright.

### **Emphasized printing**

Mode	ASCII	Decimal	Hexadecimal
Both	<ESC> "E"	27 69	1B 45

Causes subsequent characters to be emphasized by adding extra thickness to vertical strokes.

### **Cancel emphasized printing**

Mode	ASCII	Decimal	Hexadecimal
Both	<ESC> "F"	27 70	1B 46

Cancels emphasized printing.



## ***Double-strike printing***

Mode	ASCII	Decimal	Hexadecimal
Both	<ESC> "G"	27 71	1B 47

Causes subsequent characters to be printed in double-strike mode with a slight vertical paper motion in between, causing a thickening of horizontal strokes.

For bold print, use of double-strike is recommended in LQ mode, and combined use of emphasized and double-strike is recommended in draft mode.

## ***Cancel double-strike printing***

Mode	ASCII	Decimal	Hexadecimal
Both	<ESC> "H"	27 72	1B 48

Cancels double-strike printing.

## ***Start underlining***

Mode	ASCII	Decimal	Hexadecimal
Both	<ESC> "_" "1"	27 45 49	1B 2D 31
	<ESC> "_" <1>	27 45 1	1B 2D 01

Causes subsequent characters to be underlined. IBM block graphics characters and spaces skipped by horizontal tabulation are not underlined.

## ***Stop underlining***

Mode	ASCII	Decimal	Hexadecimal
Both	<ESC> "_" "0"	27 45 48	1B 2D 30
	<ESC> "_" <0>	27 45 0	1B 2D 00

Stops underlining.

## Start overlining

Mode	ASCII	Decimal	Hexadecimal
IBM	<ESC> “_” “1”	27 95 49	1B 5F 31
	<ESC> “_” <1>	27 95 1	1B 5F 01

Causes subsequent characters to be overlined. Spaces skipped by horizontal tabulation are not overlined.

## Stop overlining

Mode	ASCII	Decimal	Hexadecimal
IBM	<ESC> “_” “0”	27 95 48	1B 5F 30
	<ESC> “_” <0>	27 95 0	1B 5F 00

Stops overlining.

## Select score

Mode	ASCII	Decimal	Hexadecimal
Std.	<ESC> “(“ “_” <3>	27 40 45 3	1B 28 2D 03
	<0> <1> <i>n1</i> <i>n2</i>	0 1 <i>n1</i> <i>n2</i>	00 01 <i>n1</i> <i>n2</i>

Start score according to the values of *n1* and *n2*, as shown below.

### *n1* Function

- 1 Underlining
- 2 Strike-through
- 3 Overlining

### *n2* Function

- 0 Cancel score
- 1 Single continuous line
- 2 Double continuous line
- 5 Single broken line
- 6 Double broken line

## Select ornament character

Mode	ASCII	Decimal	Hexadecimal
Std.	<ESC> "q" <i>n</i>	27 113 <i>n</i>	1B 71 <i>n</i>

Selects an ornament character according to the value of *n*, as shown below.

<i>n</i>	Character
0	Normal
1	Outline
2	Shadow
3	Shadow and outline

## Superscript

Mode	ASCII	Decimal	Hexadecimal
Both	<ESC> "S" "0"	27 83 48	1B 53 30
	<ESC> "S" <0>	27 83 0	1B 53 00

Causes subsequent characters to be printed as superscripts. Does not change the character pitch.

## Subscript

Mode	ASCII	Decimal	Hexadecimal
Both	<ESC> "S" "1"	27 83 49	1B 53 31
	<ESC> "S" <1>	27 83 1	1B 53 01

Causes subsequent characters to be printed as subscripts. Does not change the character pitch.

## Cancel superscript or subscript

Mode	ASCII	Decimal	Hexadecimal
Both	<ESC> "T"	27 84	1B 54

Stops printing superscripts or subscripts and returns to normal printing.

# CHARACTER SET COMMANDS

## Select standard character set

Mode	ASCII	Decimal	Hexadecimal
Both	<ESC> "t" "0"	27 116 48	1B 74 30
	<ESC> "t" <0>	27 116 0	1B 74 00
Std.	<FS> "T" "0"	28 73 48	1C 49 30
	<FS> "T" <0>	28 73 0	1C 49 00

Selects the standard character set. This is the power-up default in Standard mode if EDS switch C-1 is set to "STD ITALIC".

## Select IBM character set

Mode	ASCII	Decimal	Hexadecimal
Both	<ESC> "t" "1"	27 116 49	1B 74 31
	<ESC> "t" <1>	27 116 1	1B 74 01
Std.	<FS> "T" "1"	28 73 49	1C 49 31
	<FS> "T" <1>	28 73 1	1C 49 01

Selects an IBM character set. This is the power-up default in IBM mode, or EDS switch C-1 is set to "STD GRAPH" in standard mode.

## Select character set #1

Mode	ASCII	Decimal	Hexadecimal
Both	<ESC> "7"	27 55	1B 37

Selects character set #1.

## Select character set #2

Mode	ASCII	Decimal	Hexadecimal
Both	<ESC> "6"	27 54	1B 36

Selects character set #2.

## Select international character set

Mode	ASCII	Decimal	Hexadecimal
Std.	<ESC> "R" <i>n</i>	27 82 <i>n</i>	1B 52 <i>n</i>

Selects an international character set in the Standard character set according to the value of *n*.

<i>n</i>	Character set	<i>n</i>	Character set
0	U.S.A	8	Japan
1	France	9	Norway
2	Germany	10	Denmark II
3	England	11	Spain II
4	Denmark I	12	Latin America
5	Sweden	13	Korea
6	Italy	14	Irish
7	Spain I	64	Legal

One of these character sets can be selected as power-up default by EDS switch C-5.

## Select IBM code page

Mode	ASCII	Decimal	Hexadecimal
Both	<ESC> "[ "T" <4> <0> <0> <0> <i>n1 n2</i>	27 91 84 4 0 0 0 <i>n1 n2</i>	1B 5B 54 04 00 00 00 <i>n1 n2</i>

Changes the code page of the current IBM character set according to the values of *n1* and *n2*.

<i>n1</i>	<i>n2</i>	Code Page
1	181	#437 U.S.A.
3	82	#850 Multi-lingual
3	92	#860 Portuguese
3	93	#861 Icelandic
3	95	#863 Canadian French
3	97	#865 Nordic

One of these code pages can be selected as power-up defaults by EDS switch C-4.

## Enable printing of all character codes

Mode	ASCII	Decimal	Hexadecimal
IBM	<ESC> “\” <i>n1 n2</i>	27 92 <i>n1 n2</i>	1B 5C <i>n1 n2</i>

Enables printing of all characters in the IBM character set, including those assigned to character codes which are normally considered control codes. This command remains in effect for the next  $n1 + n2 \times 256$  characters, where  $n1$  and  $n2$  are numbers between 0 and 255. During this interval no control functions are executed. If a code with no assigned character is received, the printer prints a space.

## Enable printing of all character codes on next character

Mode	ASCII	Decimal	Hexadecimal
IBM	<ESC> “^” <i>n</i>	27 94 <i>n</i>	1B 5E <i>n</i>

This command operates like <ESC> “^” except that it remains in effect for only one character.

## Select slash zero

Mode	ASCII	Decimal	Hexadecimal
Both	<ESC> “~” “1”	27 126 49	1B 7E 31
	<ESC> “~” <1>	27 126 1	1B 7E 01

Causes subsequent zero characters to be overprinted with a slash (Ø).

## Select normal zero

Mode	ASCII	Decimal	Hexadecimal
Both	<ESC> “~” “0”	27 126 48	1B 7E 30
	<ESC> “~” <0>	27 126 0	1B 7E 00

Causes subsequent zero characters to be printed normally (0), without a slash.

# CHARACTER SIZE AND PITCH COMMANDS

## *Pica pitch*

Mode	ASCII	Decimal	Hexadecimal
Std.	<ESC> "P"	27 80	1B 50
IBM	<DC2>	18	12

In Standard mode, changes from either elite or semi-condensed to pica pitch (10 cpi) or from condensed elite to condensed pica (17 cpi). In IBM mode, changes from either elite or condensed to pica (10 cpi). Ignored if the PITCH LOCK mode was selected during power-up.

## *Elite pitch*

Mode	ASCII	Decimal	Hexadecimal
Std.	<ESC> "M"	27 77	1B 4D
IBM	<ESC> ":"	27 58	1B 3A

Changes from either pica or semi-condensed to elite pitch (12 cpi) or from condensed pica to condensed elite (20 cpi). Ignored if the PITCH LOCK mode was selected during power-up.

## *Semi-condensed pitch*

Mode	ASCII	Decimal	Hexadecimal
Std.	<ESC> "g"	27 103	1B 67

Changes from either pica or elite to semi-condensed pitch (15 cpi). Ignored if the PITCH LOCK mode was selected during power-up.

## *Condensed printing*

Mode	ASCII	Decimal	Hexadecimal
Both	<SI>	15	0F
Std.	<ESC> <SI>	27 15	1B 0F

Changes from pica to condensed pica (17 cpi) or from elite to condensed elite (20 cpi).

Ignored if the PITCH LOCK mode was selected during power-up.

## ***Cancel condensed printing***

Mode	ASCII	Decimal	Hexadecimal
Both	<DC2>	18	12

In Standard mode, changes from condensed pica to normal pica or from condensed elite to normal elite. In IBM mode, always changes to normal pica. Ignored if the PITCH LOCK mode was selected during power-up.

## ***Expanded printing***

Mode	ASCII	Decimal	Hexadecimal
Both	<ESC> "W" "1"	27 87 49	1B 57 31
	<ESC> "W" <1>	27 87 1	1B 57 01

Causes subsequent characters to be expanded to double width.

## ***Cancel expanded printing***

Mode	ASCII	Decimal	Hexadecimal
Both	<ESC> "W" "0"	27 87 48	1B 57 30
	<ESC> "W" <0>	27 87 0	1B 57 00

Stops expanded printing and returns to normal width.

## ***Expanded printing for one line***

Mode	ASCII	Decimal	Hexadecimal
Both	<SO>	14	0E
Std.	<ESC> <SO>	27 14	1B 0E

Causes subsequent characters in the current line to be expanded to double width. Characters return to normal width after the next line feed (<LF>). The <DC4>, <VT>, <FF>, and <ESC> "W" 0 commands also cancel expanded printing.

## ***Cancel one-line expanded printing***

Mode	ASCII	Decimal	Hexadecimal
Both	<DC4>	20	14

Stops one-line expanded printing set with <SO> or <ESC> <SO>. Does not cancel <ESC> "W" 1.



## Select character width

Mode	ASCII	Decimal	Hexadecimal
Std.	<FS> "E" <i>n</i>	28 69 <i>n</i>	1C 45 <i>n</i>

Select a character width according to the value of *n* as shown below.

### *n* Character width

- 0 Normal-wide
- 1 Double-wide
- 2 Triple-wide

## Select proportional spacing

Mode	ASCII	Decimal	Hexadecimal
Std.	<ESC> "p" "1"	27 112 49	1B 70 31
	<ESC> "p" <1>	27 112 1	1B 70 01
IBM	<ESC> "P" <1>	27 80 1	1B 50 01

Causes subsequent characters to be proportionally spaced. Ignored if the PITCH LOCK mode was selected during power-up.

## Select fixed spacing

Mode	ASCII	Decimal	Hexadecimal
Std.	<ESC> "p" "0"	27 112 48	1B 70 30
	<ESC> "p" <0>	27 112 0	1B 70 00
IBM	<ESC> "P" <0>	27 80 0	1B 50 00

Causes subsequent characters to be printed with fixed character spacing. Ignored if the PITCH LOCK mode was selected during power-up.

## Select master print mode

Mode	ASCII	Decimal	Hexadecimal
Std.	<ESC> "!" <i>n</i>	27 33 <i>n</i>	1B 21 <i>n</i>

Selects a combined print mode according to the value of *n*. The value of *n* is the sum of the values given below for the desired characteristics.

Function	<i>n</i> value
Underline	128
Italic	64
Expanded	32
Double strike	16
Emphasized	8
Condensed [*]	4
Proportional [*]	2
Elite [*]	1

[\*] Ignored if the PITCH LOCK mode was selected during power-up.

Examples:  $n = 1$  gives elite;  $n = 9$  ( $1 + 8$ ) gives emphasized elite;  $n = 137$  ( $1 + 8 + 128$ ) gives underlined emphasized elite.

### ***Increase character spacing***

Mode	ASCII	Decimal	Hexadecimal
Std.	<ESC> <SP> <i>n</i>	27 32 <i>n</i>	1B 20 <i>n</i>

Increases the space between characters by  $n$  dots, where  $n$  is a number from 0 to 127. Used in microjustification.

### ***Select double or quadruple size***

Mode	ASCII	Decimal	Hexadecimal
Std.	<ESC> "h" <i>n</i>	27 104 <i>n</i>	1B 68 <i>n</i>

Selects the size of subsequent characters as shown below. Extra-high characters align along the cap-line of normal characters, with the base line temporarily moving down. Line spacing is temporarily doubled when  $n = 1$  and quadrupled when  $n = 2$ .

<i>n</i>	Effect
0	Normal size
1	Double-high, double-wide
2	Quadruple-high, quadruple-wide

## Select character size

Mode	ASCII	Decimal	Hexadecimal
Both	"(" "(" "S" ")" ")" <i>d</i>	40 40 83 41 41 <i>d</i>	28 28 53 29 29 <i>d</i>

Selects a combination of character height and width according to the value of *d*, as below.

Does not move the base line.

<i>d</i>	Line spacing	Character height
0	Single width	Single height
1	Double width	Single height
2	Single width	Double height
3	Double width	Double height

## Print double-height characters

Mode	ASCII	Decimal	Hexadecimal
Std.	<ESC> "w" "1"	27 119 49	1B 77 31
	<ESC> "w" <1>	27 119 1	1B 77 01
	<FS> "V" "1"	28 86 49	1C 56 31
	<FS> "V" <1>	28 86 1	1C 56 01

Prints subsequent characters at double height without moving the base line, and without changing the line spacing.

## Return to normal height

Mode	ASCII	Decimal	Hexadecimal
Std.	<ESC> "w" "0"	27 119 48	1B 77 30
	<ESC> "w" <0>	27 119 0	1B 77 00
	<FS> "V" "0"	28 86 48	1C 56 30
	<FS> "V" <0>	28 86 0	1C 56 00

Terminates double-height printing and prints subsequent characters at normal height.

## Select character height, width, and line spacing

Mode	ASCII	Decimal	Hexadecimal
Both	<ESC> “[ “@” <4> <0> <0> <0> <i>n</i> <i>m</i>	27 91 64 4 0 0 0 <i>n</i> <i>m</i>	1B 5B 40 04 00 00 00 <i>n</i> <i>m</i>

Selects a combination of character height, width, and line spacing according to the value of *n* and *m*, as below. Does not move the base line.

<i>n</i>	Line spacing	Character height
0	Unchanged	Unchanged
1	Unchanged	Single height
2	Unchanged	Double height
16	Single	Unchanged
17	Single	Single height
18	Single	Double height
32	Double	Unchanged
33	Double	Single height
34	Double	Double height

### *m* Character width

- 1 Single width (same as <ESC> “W” 0)
- 2 Double width (same as <ESC> “W” 1)

## VERTICAL POSITION COMMANDS

### *Set line spacing to 1/8 inch*

Mode	ASCII	Decimal	Hexadecimal
Both	<ESC> "0"	27 48	1B 30

Sets the distance the paper advances or reverses in subsequent line feeds to 1/8 inch.

### *Set line spacing to 7/60 or 7/72 inch*

Mode	ASCII	Decimal	Hexadecimal
Both	<ESC> "1"	27 49	1B 31

Sets the distance the paper advances or reverses in subsequent line feeds to 7/60 inch (standard mode) or 7/72 inch (IBM mode).

### *Set line spacing to 1/6 inch*

Mode	ASCII	Decimal	Hexadecimal
Std.	<ESC> "2"	27 50	1B 32

Sets the distance the paper advances or reverses in subsequent line feeds to 1/6 inch.

### *Set line spacing to n/360 inch*

Mode	ASCII	Decimal	Hexadecimal
Std.	<ESC> "+" <i>n</i>	27 43 <i>n</i>	1B 2B <i>n</i>
	<FS> "3" <i>n</i>	28 51 <i>n</i>	1C 33 <i>n</i>

Sets the distance the paper advances or reverses in subsequent line feeds to  $n/360$  inch, where  $n$  is between 0 and 255.

## Set base unit for line spacing

Mode	ASCII	Decimal	Hexadecimal
IBM	<ESC> “[ “^” <4> <0> <0> <0> <0> <i>n</i>	27 91 92 4 0 0 0 0 <i>n</i>	1B 5B 5C 04 00 00 00 00 <i>n</i>

Sets the base unit for the line spacing commands, <ESC> “3” and <ESC> “J”. If the value of *n* is 180, the base unit is set to 1/180". If the value of *n* is 216, the base unit is set to 1/216". If otherwise specified, this command is ignored. This command becomes effective only after <ESC> “3” or <ESC> “J” is received, The default base unit is set to 1/216".

## Set line spacing to *n*/180 inch or *n*/216 inch

Mode	ASCII	Decimal	Hexadecimal
Both	<ESC> “3” <i>n</i>	27 51 <i>n</i>	1B 33 <i>n</i>

Sets the distance the paper advances or reverses in subsequent line feeds to *n*/180 inch or *n*/216 inch, where *n* is between 0 and 255. If *n* = 0, in Standard mode the line-feed distance is set to 0, but in IBM mode this command is ignored.

## Set line spacing to *n*/60 inch or *n*/72 inch

Mode	ASCII	Decimal	Hexadecimal
Both	<ESC> “A” <i>n</i>	27 65 <i>n</i>	1B 41 <i>n</i>

In Standard mode, sets the distance the paper advances or reverses in subsequent line feeds to *n*/60 inch, where *n* is between 0 and 255. If *n* = 0, the line spacing is set to 0.

In IBM mode this command defines the distance the paper advances or reverses in subsequent line feeds to *n*/72 inch, where *n* is between 1 and 85. The new line spacing does not take effect until next <ESC> “2” command.

## **Execute <ESC> “A”**

Mode	ASCII	Decimal	Hexadecimal
IBM	<ESC> “2”	27 50	1B 32

Sets the line spacing to the value defined by the last preceding <ESC> “A” command. Sets the line spacing to 1/6 inch if there is no preceding <ESC> “A” command.

## **Line feed**

Mode	ASCII	Decimal	Hexadecimal
Both	<LF>	10	0A

Prints the current line and feeds the paper to the next line. See the preceding commands for the line spacing.

## **Reverse line feed**

Mode	ASCII	Decimal	Hexadecimal
Std.	<ESC> <LF>	27 10	1B 0A
IBM	<ESC> “J”	27 93	1B 5D

Prints the current line and feeds the paper in the reverse direction to the preceding line.

See the preceding commands for the line spacing. Ignored when the friction feed is used.

## **Select forward feed mode**

Mode	ASCII	Decimal	Hexadecimal
Std.	<FS> “F”	28 70	1C 46

Cancels the reverse feed mode and selects forward feed mode. This is the default setting at power-on.

## **Select reverse feed mode**

Mode	ASCII	Decimal	Hexadecimal
Std.	<FS> “R”	28 82	1C 52

Selects reverse feed mode. Reverses the direction of all vertical movements. Ignored when friction feed or bottom feed is used.

## ***Perform one n/180-inch or n/216-inch line feed***

Mode	ASCII	Decimal	Hexadecimal
Both	<ESC> "J" <i>n</i>	27 74 <i>n</i>	1B 4A <i>n</i>

Feeds the paper once by  $n/180$  inches or  $n/216$  inches, where  $n$  is between 1 and 255. Does not move the print position right or left in the standard mode. Does not change the line-spacing setting.

## ***Perform one n/180-inch reverse line feed***

Mode	ASCII	Decimal	Hexadecimal
Std.	<ESC> "j" <i>n</i>	27 106 <i>n</i>	1B 6A <i>n</i>

Feeds the paper once by  $n/180$  inches in the reverse direction, where  $n$  is between 1 and 255.

Does not move the print position right or left. Does not change the line-spacing setting.

## ***Feed paper n lines***

Mode	ASCII	Decimal	Hexadecimal
Std.	<ESC> "f" "1" <i>n</i>	27 102 49 <i>n</i>	1B 66 31 <i>n</i>
	<ESC> "f" <1> <i>n</i>	27 102 1 <i>n</i>	1B 66 01 <i>n</i>

Feeds the paper  $n$  lines from the current line, where  $n$  is between 0 and 127.

## ***Set top of page at current position***

Mode	ASCII	Decimal	Hexadecimal
IBM	<ESC> "4"	27 52	1B 34

Sets the current position as the top-of-page position. Note that this can also be done from the control panel.



## Set page length to $n$ lines

Mode	ASCII	Decimal	Hexadecimal
Both	<ESC> "C" $n$	27 67 $n$	1B 43 $n$

Sets the page length to  $n$  lines in the current line spacing, where  $n$  is between 1 and 127 in Standard mode or between 1 and 64 in IBM mode. Changing the line spacing later does not alter the physical page length. The current line becomes the top of the page.

## Set page length to $n$ inches

Mode	ASCII	Decimal	Hexadecimal
Both	<ESC> "C" <0> $n$	27 67 0 $n$	1B 43 00 $n$

Sets the page length to  $n$  inches, where  $n$  is between 1 and 32 in Standard mode or between 1 and 64 in IBM mode. The current line becomes the top of the page.

## Set bottom margin

Mode	ASCII	Decimal	Hexadecimal
Both	<ESC> "N" $n$	27 78 $n$	1B 4E $n$

Sets the bottom margin to  $n$  lines, where  $n$  is between 1 and 127 in Standard mode or between 1 and 255 in IBM mode. The bottom margin is reset when you change the page length.

## Cancel bottom margin

Mode	ASCII	Decimal	Hexadecimal
Both	<ESC> "O"	27 79	1B 4F

Cancels the bottom margin.

## Form feed

Mode	ASCII	Decimal	Hexadecimal
Both	<FF>	12	0C

Feeds the paper to the top of the next page according to the current page length, and moves the print position to the left margin. When the automatic sheet feeder (ASF) is selected with EDS switch E-3, this command ejects the current page.

## ***Return to top of current page***

Mode	ASCII	Decimal	Hexadecimal
Std.	<ESC> <FF>	27 12	1B 0C

Feeds the paper backward to the top of the current page. Ignored when the friction feed is used.

## ***Disable paper-out detector***

Mode	ASCII	Decimal	Hexadecimal
Both	<ESC> "8"	27 56	1B 38

Causes the printer to disregard the signal sent by the paper-out detector, enabling printing to the bottom of the paper. Overrides the setting of EDS switch E-2.

## ***Enable paper-out detector***

Mode	ASCII	Decimal	Hexadecimal
Both	<ESC> "9"	27 57	1B 39

Causes the printer to stop printing before the end of the paper. Overrides the setting of EDS switch E-2.

## ***Set vertical tab stops***

Mode	ASCII	Decimal	Hexadecimal
Both	<ESC> "B" <i>n1</i> <i>n2</i> .... <0>	27 66 <i>n1</i> <i>n2</i> ... 0	1B 42 <i>n1</i> <i>n2</i> ... 00

Cancels all current vertical tab stops and sets new vertical tab stops at lines *n1*, *n2*, etc., where *n1*, *n2*, etc. are numbers between 1 and 255. A maximum of 16 vertical tab stops can be set. The tab stops must be specified in ascending order; any violation of ascending order terminates the tab stop list. Standard termination is by the <0> control code. The vertical tab stops are set in terms of the current line spacing and do not move if the line spacing is changed later.

## Set vertical tab stops every *n* lines

Mode	ASCII	Decimal	Hexadecimal
Std.	<ESC> "e" "1" <i>n</i>	27 101 49 <i>n</i>	1B 65 31 <i>n</i>
	<ESC> "e" <1> <i>n</i>	27 101 1 <i>n</i>	1B 65 01 <i>n</i>

Cancels all current vertical tab stops and sets new tab stops every *n* lines, where *n* is between 1 and 127.

## Set vertical tab stops in channel

Mode	ASCII	Decimal	Hexadecimal
Both	<ESC> "b" <i>n0 n1 n2 ... &lt;0&gt;</i>	27 98 <i>n0 n1 n2 ... 0</i>	1B 62 <i>n0 n1 n2 ... 00</i>

Cancels all current vertical tab stops in channel *n0*, (where *n0* is between 0 and 7) and sets new vertical tab stops in this channel. (A channel is a set of vertical tab stops selected by the <ESC> "f" command.) See <ESC> "B" for parameters *n1*, *n2*, ... <0>.

## Select vertical tab channel

Mode	ASCII	Decimal	Hexadecimal
Std.	<ESC> "f" <i>n0</i>	27 47 <i>n0</i>	1B 2F <i>n0</i>

Selects a set of vertical tab stops designated by a channel number (*n0*) from 0 to 7. The tab stops in each channel are set by <ESC> "b".

## Vertical tab

Mode	ASCII	Decimal	Hexadecimal
Both	<VT>	11	0B

Feeds the paper to the next vertical tab stop and moves the print position to the left margin. Performs a line feed if no vertical tabs are set, as at power-up. Feeds to the top of the next page if vertical tabs are set but the current line is at or below the last vertical tab stop.

# HORIZONTAL POSITION COMMANDS

## *Set left margin*

Mode	ASCII	Decimal	Hexadecimal
Std.	<ESC> "I" <i>n</i>	27 108 <i>n</i>	1B 6C <i>n</i>

Sets the left margin at column *n* (where *n* is between 0 and 255) in the current character pitch (pica pitch if proportional spacing is selected). The left margin does not move if the character pitch is changed later. The left margin must be at least two columns to the left of the right margin and within the limits below:

Printer Type	Normal Carriage	Wide Carriage
Pica	$0 \leq n \leq 76$	$0 \leq n \leq 132$
Elite	$0 \leq n \leq 91$	$0 \leq n \leq 158$
Semi-condensed	$0 \leq n \leq 114$	$0 \leq n \leq 198$
Condensed pica	$0 \leq n \leq 130$	$0 \leq n \leq 226$
Condensed elite	$0 \leq n \leq 152$	$0 \leq n \leq 255$
Expanded pica	$0 \leq n \leq 38$	$0 \leq n \leq 66$
Expanded elite	$0 \leq n \leq 45$	$0 \leq n \leq 79$
Expanded semi-condensed	$0 \leq n \leq 57$	$0 \leq n \leq 99$
Expanded condensed pica	$0 \leq n \leq 64$	$0 \leq n \leq 113$
Expanded condensed elite	$0 \leq n \leq 76$	$0 \leq n \leq 132$

## Set right margin

Mode	ASCII	Decimal	Hexadecimal
Std.	<ESC> "Q" <i>n</i>	27 81 <i>n</i>	1B 51 <i>n</i>

Sets the right margin at column *n* in the current character pitch (pica pitch if proportional spacing is currently selected). Column *n* becomes the last character position in the line.

The right margin does not move if the character pitch is changed later. The right margin must be within the limits below:

Printer Type	Normal Carriage	Wide Carriage
Pica	$4 \leq n \leq 80$	$4 \leq n \leq 136$
Elite	$5 \leq n \leq 96$	$5 \leq n \leq 163$
Semi-condensed	$6 \leq n \leq 120$	$6 \leq n \leq 204$
Condensed pica	$7 \leq n \leq 137$	$7 \leq n \leq 233$
Condensed elite	$8 \leq n \leq 160$	$8 \leq n \leq 255$
Expanded pica	$2 \leq n \leq 40$	$2 \leq n \leq 68$
Expanded elite	$3 \leq n \leq 48$	$3 \leq n \leq 81$
Expanded semi-condensed	$3 \leq n \leq 60$	$3 \leq n \leq 102$
Expanded condensed pica	$4 \leq n \leq 68$	$4 \leq n \leq 116$
Expanded condensed elite	$4 \leq n \leq 80$	$4 \leq n \leq 136$

## Set left and right margins

Mode	ASCII	Decimal	Hexadecimal
IBM	<ESC> "X" <i>n1 n2</i>	27 88 <i>n1 n2</i>	1B 58 <i>n1 n2</i>

Sets the left margin at column *n1* and the right margin at column *n2*. See the preceding commands for margin restrictions and other notes.

## Carriage return

Mode	ASCII	Decimal	Hexadecimal
Both	<CR>	13	0D

Prints the current line and returns the next print position to the left margin. If EDS switch F-1 is set to "AUTO-LF ON", also performs a line feed.

## ***Set automatic line feed***

Mode	ASCII	Decimal	Hexadecimal
IBM	<ESC> "5" <I>	27 53 1	1B 35 01

Causes the printer to perform both a carriage return and line feed each time it receives a <CR> code. This command takes priority over EDS switch F-1.

## ***Cancel automatic line feed***

Mode	ASCII	Decimal	Hexadecimal
IBM	<ESC> "5" <O>	27 53 0	1B 35 00

Causes the printer to perform only a carriage return when it receives a <CR> code. This command takes priority over EDS switch F-1.

## ***Backspace***

Mode	ASCII	Decimal	Hexadecimal
Both	<BS>	8	08

Moves the print position one column to the left. Ignored if the print position is at the left margin. This command can be used to overstrike or combine characters.

## ***Left justify***

Mode	ASCII	Decimal	Hexadecimal
Std.	<ESC> "a" "0"	27 97 48	1B 61 30
	<ESC> "a" <O>	27 97 0	1B 61 00

Aligns subsequent text with the left margin, leaving the right margin ragged.

## ***Center text***

Mode	ASCII	Decimal	Hexadecimal
Std.	<ESC> "a" "1"	27 97 49	1B 61 31
	<ESC> "a" <I>	27 97 1	1B 61 01

Centers subsequent text between the left and right margins.

## Right justify

Mode	ASCII	Decimal	Hexadecimal
Std.	<ESC> "a" "2"	27 97 50	1B 61 32
	<ESC> "a" <2>	27 97 2	1B 61 02

Aligns subsequent text with the right margin, leaving the left margin ragged.

## Full justify

Mode	ASCII	Decimal	Hexadecimal
Std.	<ESC> "a" "3"	27 97 51	1B 61 33
	<ESC> "a" <3>	27 97 3	1B 61 03

Aligns subsequent text between the left and right margins.

## Set horizontal tab stops

Mode	ASCII	Decimal	Hexadecimal
Both	<ESC> "D" <i>n1</i> <i>n2</i> .... <0>	27 68 <i>n1</i> <i>n2</i> .... 0	1B 44 <i>n1</i> <i>n2</i> ... 00

Cancels all current horizontal tab stops and sets new tab stops at columns *n1*, *n2*, etc. in the current character pitch (pica pitch if proportional spacing is currently selected), where *n1*, *n2*, etc. are numbers between 1 and 255. The maximum number of horizontal tab stops allowed is 32 in Standard mode and 64 in IBM mode. The tab stops must be specified in ascending order; any violation of ascending order terminates the tab stop list. Standard termination is by the <0> control code. To clear all tab stops, specify <ESC> "D" <0>.

## Set horizontal tab stop every *n* columns

Mode	ASCII	Decimal	Hexadecimal
Std.	<ESC> "e" "0" <i>n</i>	27 101 48 <i>n</i>	1B 65 30 <i>n</i>
	<ESC> "e" <0> <i>n</i>	27 101 0 <i>n</i>	1B 65 00 <i>n</i>

Cancels all current horizontal tab stops and sets new tab stops every *n* columns, where *n* is between 1 and 127.

## **Reset all tab stops**

Mode	ASCII	Decimal	Hexadecimal
IBM	<ESC> "R"	27 82	1B 52

Resets the horizontal tab stops to their power-up values in which a tab stop is set every 8 column starting at column 9. Also clears all vertical tab stops.

## **Horizontal tab**

Mode	ASCII	Decimal	Hexadecimal
Both	<HT>	9	09

Moves the print position to the next horizontal tab stop. Ignored if there is no next horizontal tab stop in the current line. Note that when underlining is selected, spaces skipped by horizontal tabulation are not underlined.

## **Relative horizontal tab**

Mode	ASCII	Decimal	Hexadecimal
Std.	<ESC> "\ n1 n2	27 92 n1 n2	1B 5C n1 n2

Moves the print position right or left a specified distance. Ignored if the resulting position is beyond the right or left margin. The formulas for the distance and direction are as follows:

If  $n2$  is between 0 and 63, the print head moves right by  $(n1 + n2 \times 256)$  dots.

If you want to move the print head to the left,  $n1$  and  $n2$  are obtained by subtracting the value from 65536, and dividing the result into high and low bytes.

## **Relative horizontal tab in inches**

Mode	ASCII	Decimal	Hexadecimal
IBM	<ESC> "d" n1 n2	27 100 n1 n2	1B 64 n1 n2

Sets the next print position to  $(n1 + n2 \times 256)/120$  inches from the current position.

Ignored if this position is beyond the right margin.



## ***Absolute horizontal tab in inches***

Mode	ASCII	Decimal	Hexadecimal
Std.	<ESC> "\$" <i>n1 n2</i>	27 36 <i>n1 n2</i>	1B 24 <i>n1 n2</i>

Sets the next print position to  $(n1 + n2 \times 256)/60$  inches from the left margin on the current line. Ignored if this position is beyond the right margin.

## ***Absolute horizontal tab in columns***

Mode	ASCII	Decimal	Hexadecimal
Std.	<ESC> "I" "0" <i>n</i>	27 102 48 <i>n</i>	1B 66 30 <i>n</i>
	<ESC> "I" <0> <i>n</i>	27 102 0 <i>n</i>	1B 66 00 <i>n</i>

Moves the next print position to column *n* from the left margin, where *n* is between 0 and 127.

# GRAPHICS COMMANDS

## *Print normal-density 8-bit graphics*

Mode	ASCII	Decimal	Hexadecimal
Both	<ESC> "K" $n1$ $n2$ $m1$ $m2$ ...	27 75 $n1$ $n2$ $m1$ $m2$ ...	1B 4B $n1$ $n2$ $m1$ $m2$ ...

Prints bit-image graphics at 60 dots per inch horizontally. The graphic image is 8 dots high and  $n1 + n2 \times 256$  dots wide. Maximum width is 8 inches (480 dots) for normal carriage printer, and 13.6 inches (816 dots) for wide carriage printer.  $m1$ ,  $m2$ , ... are the dot data, each a 1-byte value from 0 to 255 representing 8 vertical dots, with the most significant bit at the top and the least significant bit at the bottom. The number of data bytes must be  $n1 + n2 \times 256$ . Dots beyond the right margin are ignored. At the end of bit-image printing the printer returns automatically to character mode.

## *Print double-density 8-bit graphics*

Mode	ASCII	Decimal	Hexadecimal
Both	<ESC> "L" $n1$ $n2$ $m1$ $m2$ ...	27 76 $n1$ $n2$ $m1$ $m2$ ...	1B 4C $n1$ $n2$ $m1$ $m2$ ...

Prints bit-image graphics at 120 dots per inch horizontally (maximum 960 dots wide for normal carriage printer, 1632 dots for wide carriage printer). See <ESC> "K" for other information.

## *Print double-density, double-speed 8-bit graphics*

Mode	ASCII	Decimal	Hexadecimal
Both	<ESC> "Y" $n1$ $n2$ $m1$ $m2$ ...	27 89 $n1$ $n2$ $m1$ $m2$ ...	1B 59 $n1$ $n2$ $m1$ $m2$ ...

Prints bit-image graphics at 120 dots per inch horizontally (maximum 960 dots wide for normal carriage printer, 1632 dots for wide carriage printer), skipping every second dot in the horizontal direction. See <ESC> "K" for other information.

## Print quadruple-density 8-bit graphics

Mode	ASCII	Decimal	Hexadecimal
Both	<ESC> "Z" <i>n1</i> <i>n2</i> <i>m1</i> <i>m2</i> ...	27 90 <i>n1</i> <i>n2</i> <i>m1</i> <i>m2</i> ...	1B 5A <i>n1</i> <i>n2</i> <i>m1</i> <i>m2</i> ...

Prints bit-image graphics at 240 dots per inch horizontally (maximum 1920 dots wide for normal carriage printer, 3264 dots for wide carriage printer), skipping every second dot in the horizontal direction. See <ESC> "K" for other information.

## Print hex-density 24-bit graphics

Mode	ASCII	Decimal	Hexadecimal
Std.	<FS> "Z" <i>n1</i> <i>n2</i> <i>m1</i> <i>m2</i> <i>m3</i> ...	28 90 <i>n1</i> <i>n2</i> <i>m1</i> <i>m2</i> <i>m3</i> ...	1C 5A <i>n1</i> <i>n2</i> <i>m1</i> <i>m2</i> <i>m3</i> ...

Prints 24-bit dot graphics at 360 dots per inch horizontally. The graphics image is 24 dots high and  $n1 + n2 \times 256$  dots wide. Maximum width is 8 inches (2880 dots) for normal carriage printer, and 13.6 inches (4896 dots) for wide carriage printer. In the data *m1*, *m2*, *m3* ... each three bytes represent 24 vertical dots. In the leftmost position, the most significant bit of *m1* is the top dot; the least significant bit of *m1* is the eighth dot from the top; the most significant bit of *m2* is the ninth dot; the least significant bit of *m2* is the sixteenth dot from the top; the most significant bit of *m3* is the seventeenth dot from the top; the least significant bit of *m3* is the bottom dot. The rest of data is similar. The number of data bytes must be  $3 \times (n1 + n2 \times 256)$ . Dots beyond the right margin are ignored. At the end of dot graphics printing, the printer returns automatically to character mode.

## Select graphics mode

Mode	ASCII	Decimal	Hexadecimal
Both	<ESC> "*" <i>n0</i> <i>n1</i> <i>n2</i> <i>m1</i> <i>m2</i> ...	27 42 <i>n0</i> <i>n1</i> <i>n2</i> <i>m1</i> <i>m2</i> ...	1B 2A <i>n0</i> <i>n1</i> <i>n2</i> <i>m1</i> <i>m2</i> ...

Selects one of eleven graphics modes depending on the value of *n0* and prints bit-image graphics in this mode. See <ESC> "K" (for 8-bit graphics) or <FS> "Z" (for 24-bit graphics) for information on *n1*, *n2*, *m1*, *m2*, ...

<i>n0</i>	Graphics mode	
0	8-bit Normal-density	(60 dots per inch)
1	8-bit Double-density	(120 dots per inch)
2	8-bit Double-density, double-speed	(120 dots per inch)
3	8-bit Quadruple-density	(240 dots per inch)
4	8-bit CRT graphics, mode I	( 80 dots per inch)
6	8-bit CRT graphics, mode II	( 90 dots per inch)
32	24-bit Normal-density	( 60 dots per inch)
33	24-bit Double-density	(120 dots per inch)
38	24-bit CRT graphics	( 90 dots per inch)
39	24-bit Triple-density	(180 dots per inch)
40	24-bit Hex-density	(360 dots per inch)

### Select graphics mode

Mode	ASCII	Decimal	Hexadecimal
IBM.	<ESC> “[ “g” <i>n1</i> <i>n2</i> <i>m0</i> <i>m1</i> <i>m2</i> ...	28 91 103 <i>n1</i> <i>n2</i> <i>m0</i> <i>m1</i> <i>m2</i> ...	1B 5B 67 <i>n1</i> <i>n2</i> <i>m0</i> <i>m1</i> <i>m2</i> ...

Selects one of eight graphics modes depending on the value of *m0* and prints dot graphics in this mode. The graphics image is  $(n1 + n2 \times 256) - 1$  dots wide. See <ESC> “K” (for 8-bit graphics) or <FS> “Z” (for 24-bit graphics) for information on *m1*, *m2*, ...

<i>m0</i>	Graphics mode	
0	8-bit Normal-density	(60 dots per inch)
1	8-bit Double-density	(120 dots per inch)
2	8-bit Double-density, double-speed	(120 dots per inch)
3	8-bit Quadruple-density	(240 dots per inch)
8	24-bit Normal-density	( 60 dots per inch)
9	24-bit Double-density	(120 dots per inch)
11	24-bit Triple-density	(180 dots per inch)
12	24-bit Hex-density	(360 dots per inch)

## Convert graphics density

Mode	ASCII	Decimal	Hexadecimal
Std.	<ESC> “?” <i>n</i> <i>m</i>	27 63 <i>n</i> <i>m</i>	1B 3F <i>n</i> <i>m</i>

Converts graphics defined by subsequent <ESC> “K”, <ESC> “L”, <ESC> “Y” or <ESC> “Z” commands to a density mode defined by <ESC> “\*”. *n* is “K”, “L”, “Y” or “Z”, indicating the mode to be converted. *m* is a code from <0> to <4> or <6> indicating one of the modes of <ESC> “\*.”

# DOWNLOAD CHARACTER COMMANDS

## Define download characters

Mode	ASCII	Decimal	Hexadecimal
Std.	<ESC> "&" <0> <i>n1</i> <i>n2</i> <i>m0</i> <i>m1</i> <i>m2</i> <i>d1</i> <i>d2</i> ... <i>dx</i>	27 38 0 <i>n1</i> <i>n2</i> <i>m0</i> <i>m1</i> <i>m2</i> <i>d1</i> <i>d2</i> ... <i>dx</i>	1B 26 00 <i>n1</i> <i>n2</i> <i>m0</i> <i>m1</i> <i>m2</i> <i>d1</i> <i>d2</i> ... <i>dx</i>

Defines one or more new characters and stores them in RAM for later use. EDS switch A-2 must be set to "RAM DOWNLOAD"; otherwise RAM is used as an input buffer, not downloading characters, and this command is ignored.

*n1* is the character code of the first character defined and *n2* is the character code of the last character defined. *n1* must be equal to or less than *n2*.

The data for each character start with three bytes specifying proportional spacing attributes: the first byte, *m0*, specifies the left of the character; the second byte, *m1*, specifies the character width; the third byte, *m2*, specifies the right of the character.

These values must not exceed the following maximum limits:

Character mode	<i>m1</i>	<i>m0</i> + <i>m1</i> + <i>m2</i>
Draft	9	12
LQ pica	31	36
LQ elite	27	30
LQ semi-condensed	21	24
LQ proportional	37	42
Draft super/subscript	7	12
LQ super/subscript	19	36
LQ prop. super/subscript	37	42

Next comes the dot data. Normal character height is 24 dots, so there must be  $3 \times m1$  bytes of dot data. If the printer is in super/subscript mode, however, the character height is 16 dots, so there must be  $2 \times m1$  bytes of dot data.

Each data byte indicates eight vertical dots, with the most significant bit being the top dot, and the least significant bit being the bottom dot.

For further details, please refer to chapter 8.

## Define download characters

Mode	ASCII	Decimal	Hexadecimal
IBM	<ESC> "=" <i>n1</i> <i>n2</i> "#" <i>n3</i> <i>n4</i> <0> <i>n5</i> <i>m1</i> <i>m2</i> ... <i>m9</i> <i>d1</i> <i>d2</i> ... <i>dx</i>	27 61 <i>n1</i> <i>n2</i> 35 <i>n3</i> <i>n4</i> 0 <i>n5</i> <i>m1</i> <i>m2</i> ... <i>m9</i> <i>d1</i> <i>d2</i> ... <i>dx</i>	1B 3D <i>n1</i> <i>n2</i> 23 <i>n3</i> <i>n4</i> 00 <i>n5</i> <i>m1</i> <i>m2</i> ... <i>m9</i> <i>d1</i> <i>d2</i> ... <i>dx</i>

Defines new characters and stores them in RAM for later use. EDS switch A-2 must be set to "RAM DOWNLOAD"; otherwise RAM is used as an input buffer, not downloading characters, and this command is ignored.

Downloading characters in IBM mode requires Dot Pattern data and Character Index Table data.

Dot Pattern data controls which pins fire when printing a character. Index Table data is placed in a "lookup table" that provides information on where Dot Pattern data is stored in memory and defines certain attributes of the character.

(*n1* + *n2* × 256) give the number of bytes to be downloaded.  
*n3* and *n4* indicate the low order and high order addresses in which data is to be stored.  
*n3* should be 15 and *n4* should be 128 for this printer.  
*n5* determines the character mode to be downloaded, as shown below:

<i>n5</i>	Character mode	Character width
0	Draft	10
1	LQ pica	36
2	LQ proportional	18 ~ 42
3	LQ elite	30

*m1* through *m9* indicate Index Table data.  
*m1* and *m2* indicate the address where Dot Pattern is stored. *m1* is the high-order byte. *m3* indicates the number of columns in the character memory, and *m4* indicates the number of columns in the character less 1.

$m5$  through  $m9$  are compression mask bits. Data compression allows the efficient use of memory in storing downloaded characters providing space for more characters than would be available without compression. The printer repeats the previous dot column in the current column when the current column compression mask bit is set to 1.

It is necessary to define all of Index Table data before the Dot Pattern data to download many characters.

$d1, d2, \dots, dx$  is the Dot Pattern data being downloaded.

Each data byte indicates eight vertical dots, with the most significant bit being the top dot, and the least significant bit being the bottom dot.

## Copy character set from ROM into RAM

Mode	ASCII	Decimal	Hexadecimal
Std.	<ESC> “:” <0> $n$ <0>	27 58 0 $n$ 0	1B 3A 00 $n$ 00

Copies the selected character set with  $n$ , as shown below, to the corresponding download character RAM area, overwriting any download data already present. Ignored when EDS switch A-2 is not set to “RAM DOWNLOAD”.

$n$	Font	$n$	Font
0	Roman	11	Blippo (Option)
1	Sanserif	12	H-Gothic
2	Courier	13	Orane (Option)
3	Prestige	14	Cinema (Option)
4	Script	15	CODE 39 (Option)
5	OCR-B (Option)	16	UPC/EAN (Option)
6	OCR-A (Option)	17	Old Style (Option)
7	Orator	18	Firenze (Option)
8	Orator 2 (Option)	32	SLQ Roman
9	TW-Light (Option)	33	SLQ TW-Light
10	Letter Gothic (Option)	34	SLQ Script (Option)



## Select download character set

Mode	ASCII	Decimal	Hexadecimal
Std.	<ESC> “%” “1”	27 37 49	1B 25 31
	<ESC> “%” <1>	27 37 1	1B 25 01

Selects the download character set. Ignored when EDS switch A-2 is not set to “RAM DOWNLOAD”.

## Shift download character area

Mode	ASCII	Decimal	Hexadecimal
Std.	<ESC> “t” “2”	27 116 50	1B 74 32
	<ESC> “t” <2>	27 116 2	1B 74 02
	<FS> “I” “2”	28 73 50	1C 49 32
	<FS> “I” <2>	28 73 2	1C 49 02

Shifts the download character area defined between 0 to 127 to the area between 128 to 255.

## Select draft pica download character set

Mode	ASCII	Decimal	Hexadecimal
IBM	<ESC> “I” <4>	27 73 4	1B 49 04

Selects the download character set, draft quality, and pica pitch (10 cpi). Ignored if the FONT LOCK mode was selected during power-up or if EDS switch A-2 is not set to “RAM DOWNLOAD”.

## Select draft elite download character set

Mode	ASCII	Decimal	Hexadecimal
IBM	<ESC> “I” <FF>	27 73 12	1B 49 0C

Selects the download character set, draft quality, and elite pitch (12 cpi). Ignored if the FONT LOCK mode was selected during power-up or if EDS switch A-2 is not set to “RAM DOWNLOAD”.

## Select draft condensed download characters

Mode	ASCII	Decimal	Hexadecimal
IBM	<ESC> "I" <DC4>	27 73 20	1B 49 14

Selects the download character set, draft quality, and condensed pitch (17 cpi). Ignored if the FONT LOCK mode was selected during power-up or if EDS switch A-2 is not set to "RAM DOWNLOAD".

## Select LQ pica download characters

Mode	ASCII	Decimal	Hexadecimal
IBM	<ESC> "I" <6>	27 73 6	1B 49 06

Selects the LQ download character set with pica pitch (10 cpi). Ignored if the FONT LOCK mode was selected during power-up or if EDS switch A-2 is not set to "RAM DOWNLOAD".

## Select LQ elite download characters

Mode	ASCII	Decimal	Hexadecimal
IBM	<ESC> "I" <SO>	27 73 14	1B 49 0E

Selects the LQ download character set with elite pitch (12 cpi). Ignored if the FONT LOCK mode was selected during power-up or if EDS switch A-2 is not set to "RAM DOWNLOAD".

## Select LQ condensed download characters

Mode	ASCII	Decimal	Hexadecimal
IBM	<ESC> "I" <SYN>	27 73 22	1B 49 16

Selects the LQ download character set with condensed pitch (17 cpi). Ignored if the FONT LOCK mode was selected during power-up or if EDS switch A-2 is not set to "RAM DOWNLOAD".

## Select LQ proportional download characters

Mode	ASCII	Decimal	Hexadecimal
IBM	<ESC> "I" <7>	27 73 7	1B 49 07

Selects the LQ download character set with proportional pitch. Ignored if the FONT LOCK mode was selected during power-up or if EDS switch A-2 is not set to "RAM DOWNLOAD".

## Select ROM character set

Mode	ASCII	Decimal	Hexadecimal
Std.	<ESC> “%” “0”	27 37 48	1B 25 30
	<ESC> “%” <0>	27 37 0	1B 25 00

Stops using the download character set and returns to the built-in ROM character set. Ignored when EDS switch A-2 is not set to “RAM DOWNLOAD”.

## COLOR SELECTION COMMANDS

### Select print color

Mode	ASCII	Decimal	Hexadecimal
Both	<ESC> “r” <i>n</i>	27 114 <i>n</i>	1B 72 <i>n</i>

Selects the printing color according to the value of *n*, as shown below. Ignored if the color ribbon is not installed.

<u><i>n</i></u>	<u>Color</u>	<u><i>n</i></u>	<u>Color</u>
0	Black	4	Yellow
1	Magenta	5	Orange
2	Cyan	6	Green
3	Violet		

### Select print color

Mode	ASCII	Decimal	Hexadecimal
Both	“(” “(” “C” “)” “)” <i>d</i>	40 40 67 41 41 <i>d</i>	28 28 43 29 29 <i>d</i>

Changes the printing color according to the value of *d*, as shown below. Ignored if the color ribbon is not installed.

<u><i>d</i></u>	<u>Color</u>	<u><i>d</i></u>	<u>Color</u>
0	Black	4	Yellow
1	Magenta	5	Orange
2	Cyan	6	Green
3	Violet		

## OTHER PRINTER COMMANDS

### ***Set MSB to 1***

Mode	ASCII	Decimal	Hexadecimal
Std.	<ESC> ">"	27 62	1B 3E

Sets the most significant bit of each subsequent byte received to 1, allowing users with a 7-bit interface to access characters with ASCII codes greater than 127.

### ***Set MSB to 0***

Mode	ASCII	Decimal	Hexadecimal
Std.	<ESC> "=	27 61	1B 3D

Sets the most significant bit of each subsequent byte received to 0.

### ***Accept MSB as is***

Mode	ASCII	Decimal	Hexadecimal
Std.	<ESC> "#"	27 35	1B 23

Cancels the preceding commands and accepts the most significant bit as it is sent to the printer.

### ***Delete last character sent***

Mode	ASCII	Decimal	Hexadecimal
Std.	<DEL>	127	7F

Deletes the last character received. Ignored if the last character received has already been printed, or if the last character received was all or part of a command.

### ***Cancel last line***

Mode	ASCII	Decimal	Hexadecimal
Both	<CAN>	24	18

Deletes the last line currently present in the print buffer.

## Set printer off-line

Mode	ASCII	Decimal	Hexadecimal
Std.	<DC3>	19	13
IBM	<ESC> "Q" <i>n</i>	27 81 <i>n</i>	1B 51 <i>n</i>

Sets the printer off-line. The printer disregards all subsequent characters and commands except <DC1>, which returns it to the on-line. The printer's ON LINE indicator does not go off.

In the IBM mode, the value of *n* should be 36 for normal carriage printer, and 35 for wide carriage printer.

## Set printer on-line

Mode	ASCII	Decimal	Hexadecimal
Both	<DC1>	17	11

Returns the printer on-line state, allowing it to receive and process all subsequent characters and commands. This command is ignored if the printer was set off-line by pressing the  ON LINE  button on the control panel.

## Stop printing

Mode	ASCII	Decimal	Hexadecimal
IBM	<ESC> "j"	27 106	1B 6A

Prints the entire contents of the input buffer, then sets the printer off-line. The ON LINE indicator on the control panel goes off.

## Bell

Mode	ASCII	Decimal	Hexadecimal
Both	<BEL>	7	07

Sounds a brief beep tone from the printer.

## ***Bi-directional printing***

Mode	ASCII	Decimal	Hexadecimal
Both	<ESC> "U" "0"	27 85 48	1B 55 30
	<ESC> "U" <0>	27 85 0	1B 55 00

Causes subsequent printing to be done in the normal bi-directional mode, which is faster than uni-directional printing.

## ***Uni-directional printing***

Mode	ASCII	Decimal	Hexadecimal
Both	<ESC> "U" "1"	27 85 49	1B 55 31
	<ESC> "U" <1>	27 85 1	1B 55 01

Causes subsequent printing to be done uni-directionally, ensuring maximum vertical alignment precision.

## ***One-line uni-directional printing***

Mode	ASCII	Decimal	Hexadecimal
Std.	<ESC> "<"	27 60	1B 3C

Immediately returns the print head to the left margin, then prints the remainder of the line from left to right. Normal printing resumes on the next line.

## ***Manual feed***

Mode	ASCII	Decimal	Hexadecimal
Both	<ESC> <EM> <0>	27 25 0	1B 19 00
	"(" "(" "0" ")" ")"	40 40 48 41 41	28 28 30 29 29

Selects manual sheet feeding even when the optional automatic sheet feeder is mounted. Ignored if EDS switch E-3 is set to "ASF OFF".

## ***Auto feed***

Mode	ASCII	Decimal	Hexadecimal
Both	<ESC> <EM> <4>	27 25 4	1B 19 04
	"(" "(" "4" ")" ")"	40 40 52 41 41	28 28 34 29 29

Selects the automatic sheet feeder. Ignored if EDS switch E-3 is set to "ASF OFF".

## Select ASF bin #1

Mode	ASCII	Decimal	Hexadecimal
Both	<ESC> <EM> <1>	27 25 1	1B 19 01
	"(" "(" "1" ")" ")"	40 40 49 41 41	28 28 31 29 29

Selects the ASF bin #1, and feeds paper from bin #1. Ignored if EDS switch E-3 is not set to "ASF-DUAL ON".

## Select ASF bin #2

Mode	ASCII	Decimal	Hexadecimal
Both	<ESC> <EM> <2>	27 25 2	1B 19 02
	"(" "(" "2" ")" ")"	40 40 50 41 41	28 28 32 29 29

Selects the ASF bin #2, and feeds paper from bin #2. Ignored if EDS switch E-3 is not set to "ASF-DUAL ON".

## Eject paper from ASF

Mode	ASCII	Decimal	Hexadecimal
Both	<ESC> <EM> "R"	27 25 82	1B 19 52
	"(" "(" "R" ")" ")"	40 40 82 41 41	28 28 52 29 29

Ejects the current page. Ignored if EDS switch E-3 is set to "ASF OFF".

## Set print start position on ASF

Mode	ASCII	Decimal	Hexadecimal
Both	<ESC> <EM> "T" <i>n</i>	27 25 84 <i>n</i>	1B 19 54 <i>n</i>
	"(" "(" "T" ")" ")" <i>n</i>	40 40 84 41 41 <i>n</i>	28 28 54 29 29 <i>n</i>

Skips *n*/6 inches at the top of the page, where *n* is equal to or greater than 1. Ignored if EDS switch E-3 is set to "ASF OFF".

## Reset printer

Mode	ASCII	Decimal	Hexadecimal
Both	<ESC> "@"	27 64	1B 40
Std.	<FS> "@"	28 64	1C 40

Reinitializes the printer. Clears the print buffer and returns settings to their power-up values. Does not clear the input buffer or change ASF selections.

---

# Chapter 8

## DOWNLOAD CHARACTERS

---

With this printer you can create new characters and symbols, download their dot data, and have them printed in place of selected characters in the regular character set. Characters that can be generated in this way range from simple but useful symbols like the check mark through to complex Chinese or Japanese characters.

Regular characters are permanently stored in the printer's ROM, but characters you design are downloaded and stored in RAM for use.

Before you start to define your own characters, you must set the EDS switch A-2 to "RAM DOWNLOAD".

Otherwise, the RAM is used to store the input buffer, and the download commands are ignored.

### DEFINING YOUR OWN CHARACTERS WITH STANDARD MODE

Designing and printing your own characters has two requirements: first, designing the shape of the character, calculating the data necessary to make the shape, and sending that data to the printer, and secondly, sending the command to print the downloaded characters instead of the regular characters. There are a number of design constraints for download characters:

- The matrix or grid on which you design the characters depends upon the print mode as shown below:

Character mode	Horizontal	Vertical
Draft characters	9	24
LQ pica characters	31	24
LQ elite characters	27	24
LQ semi-condensed	19	16
LQ proportional	37	24
Draft super/subscript	7	16
LQ super/subscript	19	16
LQ prop. super/subscript	37	16



- The minimum width of a character is five dots.
- Dots cannot overlap.
- You may define any position in the ASCII table.

Photocopy the grid in Figure 8-1 to help design your new characters. We will use a tiny representation of a telephone symbol for our example.

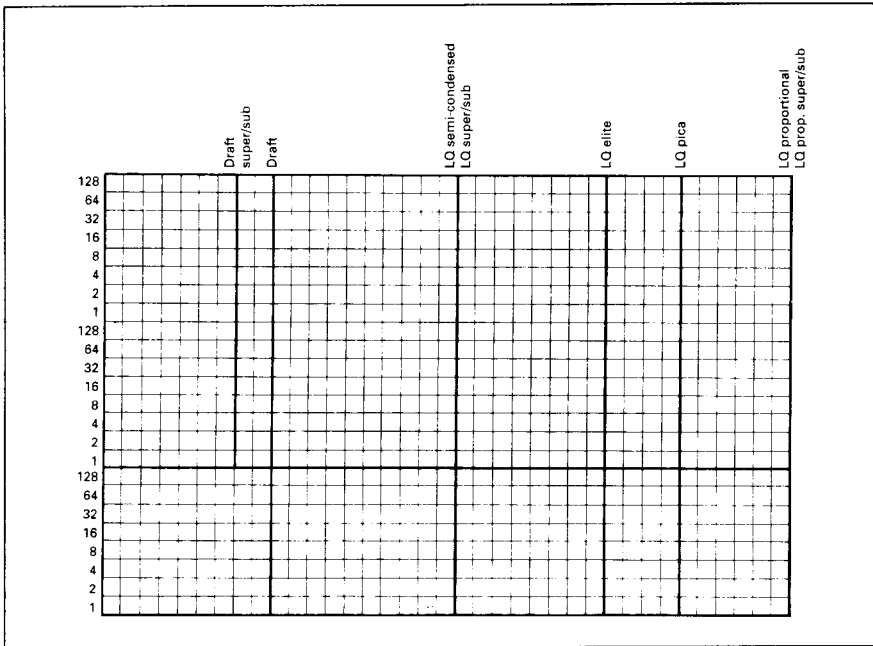
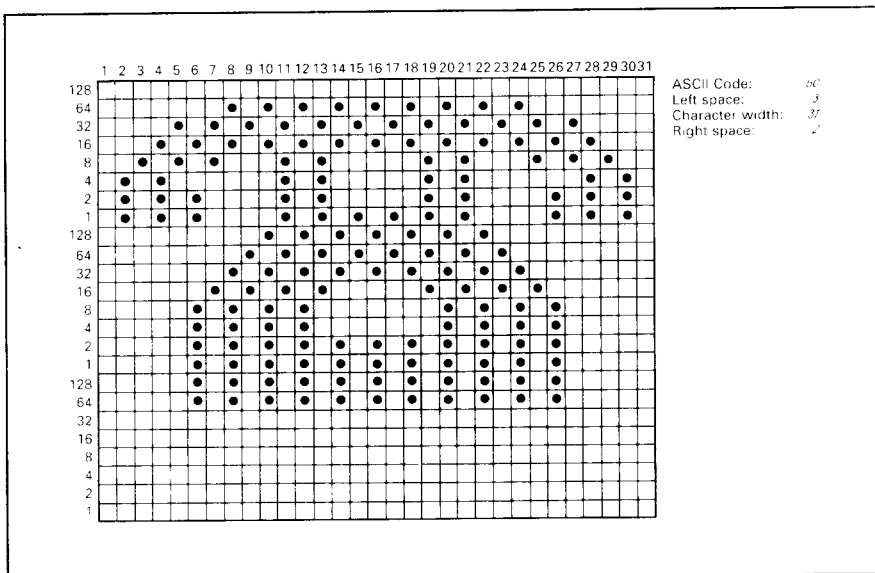


Figure 8-1. Use this grid (or one similar to it) to define your own characters.

## Assigning the character data

Now, we calculate the vertical numerical values of the columns of dots, and enter them underneath the grid. Each vertical column (which has a maximum of 24 dots) is first divided into three groups (or two groups for super/subscripts) of eight dots. Each group of eight dots is represented by one byte, which consists of eight bits.

This is where the numbers down the left side of the grid come in. Notice that there is a number for each row of dots and that each number is twice the number below it. By making these numbers powers of two we can take any combination of dots in a vertical column and assign them a unique value.



**Figure 8-2.** Telephone symbol with normal LQ pica.

## ***Assigning a value of character space***

Besides being able to specify the actual width of the character, this printer allows you to specify the position in the standard grid where the character will print. You must specify the dot column in which the printed character starts and the dot column in which the character ends. Why, you may ask, would you want to define a character this way instead of merely defining the overall width of the character? Because this printer's proportional character definitions can also be used to print normal width characters, and by centering even the narrow characters in the complete grid they will look good even you are not printing them proportionally.

The three bytes are used to specify the width of the character and the space to be allowed on either side of it. The left space (in dot columns) is specified by *m0* and the right space is specified by *m2*. The second byte (*m1*) specifies the width of the character in dots. By varying the width of the character itself and the spaces around it, you can actually create proportional width characters.

When defining characters, the number of printed columns ( $m1$ ), and the sum of side spaces and the character width ( $m0 + m1 + m2$ ) cannot exceed the value shown below.

Character mode	$m1$	$m0 + m1 + m2$
Draft characters	9	12
LQ pica characters	31	36
LQ elite characters	27	30
LQ semi-condensed	19	24
LQ proportional	37	42
Draft super/subscript	7	12
LQ super/subscript	19	36
LQ prop. super/subscript	37	42

## Sample program

To demonstrate how to use the download characters, let's use the "telephone" character and the other user-defined characters to print a small graph. This program will do just that:

```

1000 WIDTH "LPT1:",255
1010 LPRINT CHR$(27);"x1";
1020 LPRINT CHR$(27);"&";CHR$(0);
1030 LPRINT CHR$(60);CHR$(61);
1040 FOR N=60 TO 61
1050 READ LS :LPRINT CHR$(LS);
1060 READ CW :LPRINT CHR$(CW);
1070 READ RS :LPRINT CHR$(RS);
1080 FOR M=1 TO CW*3
1090 READ MM
1100 LPRINT CHR$(MM);
1110 NEXT M
1120 NEXT N
1130 LPRINT CHR$(27);"D";CHR$(11);CHR$(0)
1140 LPRINT CHR$(27);"k";CHR$(4);
1150 LPRINT CHR$(27);"h";CHR$(1);
1160 LPRINT "  DIFFUSION RANGES OF"
1170 LPRINT "    CARS & TELEPHONES"
1180 LPRINT CHR$(27);"h";CHR$(0)
1190 LPRINT CHR$(27);"k";CHR$(0);
1200 LPRINT CHR$(27);"x";CHR$(1);
1210 LPRINT "USA";CHR$(9);
1220 FOR I=0 TO 681 STEP 25 :LPRINT CHR$(60); :NEXT I
1230 LPRINT
1240 LPRINT CHR$(9);
1250 FOR I=0 TO 781 STEP 25 :LPRINT CHR$(61); :NEXT I
1260 LPRINT
1270 LPRINT "GERMANY";CHR$(9);
1280 FOR I=0 TO 412 STEP 25 :LPRINT CHR$(60); :NEXT I
1290 LPRINT
1300 LPRINT CHR$(9);
1310 FOR I=0 TO 488 STEP 25 :LPRINT CHR$(61); :NEXT I
1320 LPRINT

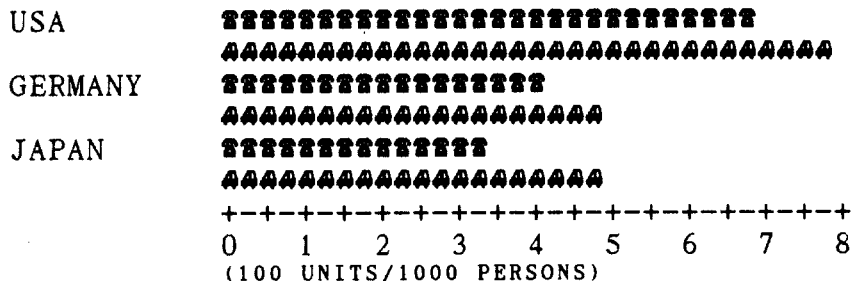
```

```

1330 LPRINT "JAPAN";CHR$(9);
1340 FOR I=0 TO 347 STEP 25 :LPRINT CHR$(60); :NEXT I
1350 LPRINT
1360 LPRINT CHR$(9);
1370 FOR I=0 TO 493 STEP 25 :LPRINT CHR$(61); :NEXT I
1380 LPRINT
1390 LPRINT CHR$(9);"+-";
1400 SCALE$="+-+-"
1410 FOR I=2 TO 8 :LPRINT SCALE$; :NEXT I
1420 LPRINT "+-+-"
1430 LPRINT CHR$(9);"0 ";
1440 FOR I=1 TO 8
1450 LPRINT " ";I;
1460 NEXT I
1470 LPRINT CHR$(27);"%";CHR$(0)
1480 LPRINT CHR$(27);"M";
1490 LPRINT CHR$(27);"S";CHR$(0);
1500 LPRINT CHR$(9);"(100 UNITS/1000 PERSONS)"
1510 LPRINT CHR$(27);"T";
1520 LPRINT CHR$(27);"@"
1530 END
2000 ' DATA
2010 ' Telephone Symbol
2020 DATA 3, 31, 2
2030 DATA 0, 0, 0, 7, 0, 0, 8, 0, 0, 23, 0, 0, 40, 0, 0
2040 DATA 19, 15,192, 40, 16, 0, 80, 47,192, 32, 80, 0, 80,175,192
2050 DATA 47, 80, 0, 80,175,192, 47, 80, 0, 80,163,192, 33, 64, 0
2060 DATA 80,163,192, 33, 64, 0, 80,163,192, 47, 80, 0, 80,175,192
2070 DATA 47, 80, 0, 80,175,192, 32, 80, 0, 80, 47,192, 40, 16, 0
2080 DATA 19, 15,192, 40, 0, 0, 23, 0, 0, 8, 0, 0, 7, 0, 0
2090 DATA 0, 0, 0
2100 ' Car Symbol
2110 DATA 3, 31, 2
2120 DATA 0, 0, 0, 30, 0, 0, 0, 0, 0, 60, 0, 0, 3, 0
2130 DATA 0,252,128, 0, 3, 64, 1,252,128, 2, 3, 64, 5,124,128
2140 DATA 10, 3, 0, 20,124, 0, 40, 0, 0, 80,126, 0, 32, 0, 0
2150 DATA 64,126, 0, 63,128, 0, 64,126, 0, 63,128, 0, 64,124, 0
2160 DATA 32, 3, 0, 64,124,128, 32, 3, 64, 64,124,128, 48, 3, 64
2170 DATA 76,124,128, 51, 3, 0, 12,252, 0, 3, 0, 0, 0,254, 0
2180 DATA 0, 0, 0

```

## DIFFUSION RANGES OF CARS & TELEPHONES



# DEFINING YOUR OWN CHARACTERS WITH IBM MODE

Downloading fonts in IBM mode requires downloading character Dot Pattern data and character Index Table data. Dot pattern data controls which pins fire when printing a character. Index Table data is placed in a “lookup table” that provides information on where Dot Pattern data is stored in memory and defines certain attributes of the character.

## *Assigning the download character set*

You can define one of more download character sets for later use in IBM mode.

Before you start to design your characters, you must define what character set(s) you want to download.

The character width on which you design the characters depends upon the character set as shown below:

Character set	Character width	Character ID
Draft characters	9	0
LQ pica characters	35	1
LQ elite characters	29	2
LQ proportional	17 ~ 41	3

After you have decided your download character set, you must tell the printer where the download character data to be stored, and how many download character sets you will define.

The first download font area starts from <800F>h, and you must enter 0 for the Format byte.

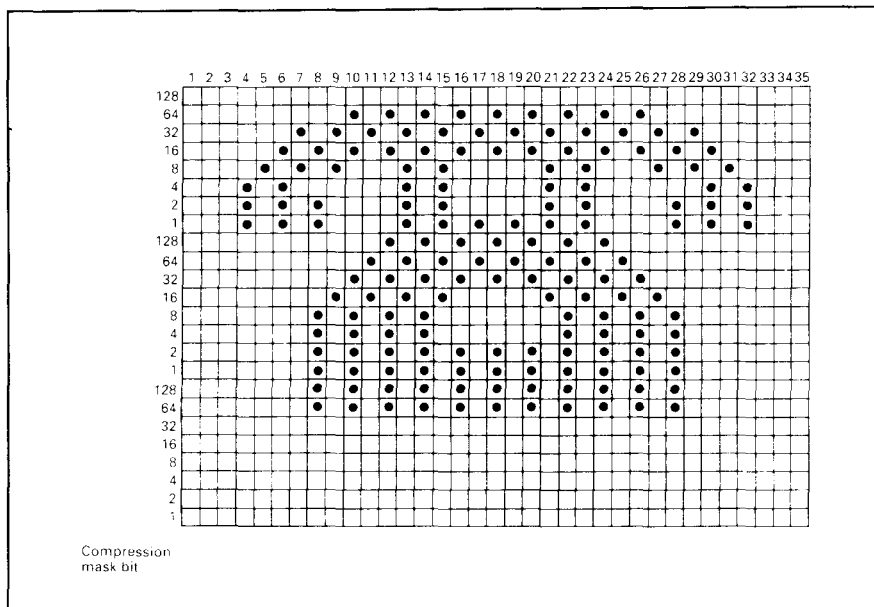
This Format byte indicates the printer that the RAM is stored the download character set.

Following the format byte, you must enter the Character ID data. If you want to define more character set, add 128 to the Character ID data.

The second area starts from <8911>h, the third area starts from <9212>h, and the last area starts from <9B13>h. But you need not enter Format byte for these area.

## Assigning the character dot pattern

We will use a tiny representation of a telephone symbol for our example.



**Figure 8-3.** Telephone symbol with LQ pica.

After you have designed the character pattern, you need to compress the Dot Pattern.

Data compression allows you to store more download characters than without compression. It is a more efficient use of memory. The printer will repeat the previous dot column when the current column compression mask bit is set to "1".

Fill up the adjacent dot even they do not print, then compare the each vertical line to the left line. If the line is the same as the left one, write "1" in the column of the "compression mask bit". If it is not, write "0".

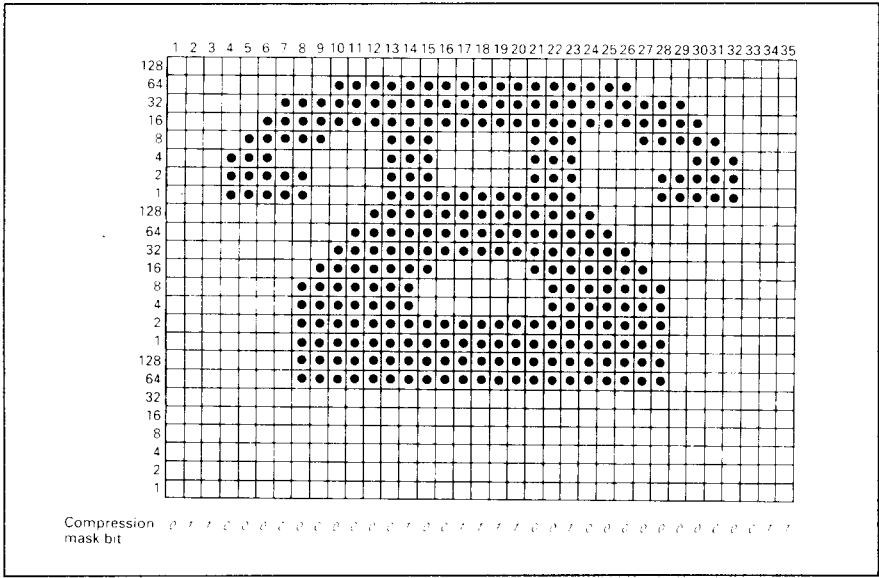


Figure 8-4. Fill up the adjacent dot, then write the "compression data".

After you have written the "compression mask bit" data, line up all the character data for the "compression mask bit" that requires "0". The telephone symbol looks like in Figure 8-5.

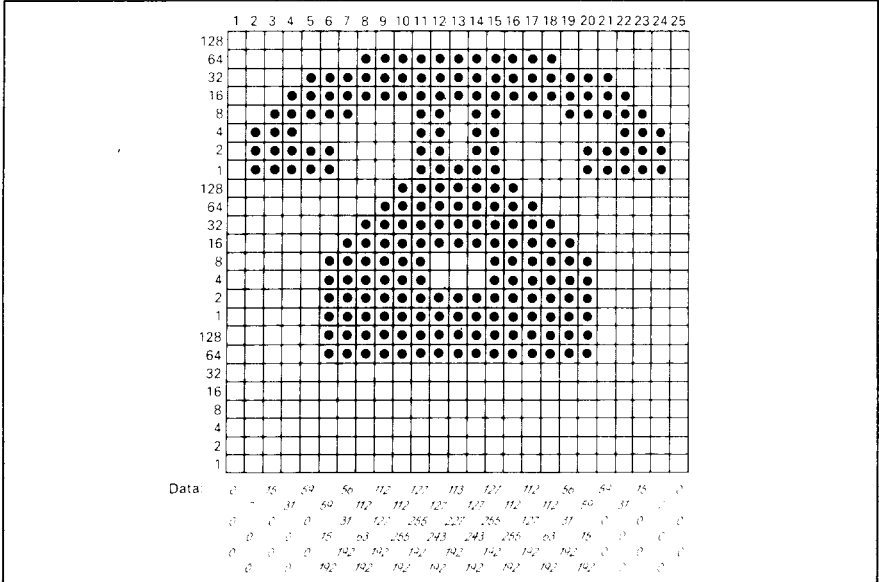


Figure 8-5. Compressed character pattern of telephone symbol.

Now we calculate the vertical numerical values of the columns of dots, and enter them underneath the grid. Each vertical column is first divided into three groups of eight dots. Each group of eight dots is represented by one byte, which consists of eight bits.

That's where the numbers down the left side of the grid come in. Notice that there is a number for each row of dots and that each number is twice the number below it. By making these numbers powers of two we can take any combination of dots in a vertical column and assign them a unique value.

## ***Assigning the Index Table data***

Unlike defining in the Standard mode, you must assign the Index Table with the IBM mode.

This Index Table is prepared for the information of each character attribute data, such as character type (Normal 24-dot high, or 30-dot high block graphics), the dot pattern data in the memory, and the compression mask bit data.

Each character requires 9 index table data.

The first and the second bytes ( $m1$  and  $m2$ ) indicates the position of the first dot pattern in the memory.  $m1$  is the high order byte, and  $m2$  is the low order byte.

The third byte,  $m3$ , indicates the character type and the dot pattern data width in the memory.

If the character is normal, simply, enter the width of dot pattern in the memory. If your character is block graphics, add 128 to the width of dot pattern in the memory.

Our telephone symbol is normal character and the width of dot pattern in the memory should be 25, so this value is 25.

The fourth byte,  $m4$ , indicates the printing attribute.

This byte indicates the character width to be printed, and information of the repetition dots for block graphics characters.

If your character is a normal character, add 192 to the character width.

If your character is a block character, and it should be printed as line draw character, add 64 to the character width. If the block character is not a line draw character, this byte should be the same as the character width.

Our telephone symbol is normal pica character, so the character width is 35, and this byte should be 227.



The remaining five bytes (*m5* through *m9*) indicate the compression mask bits. Each bits of this byte shows the data that will translate the compressed dot pattern data back to the original character pattern.

For example, the compression mask bits of our telephone symbol are 01100000 00000100 11110010 00000000 01100000. So these bytes are 96, 4, 242, 0, and 96.

You must define the index table data for all characters from 0 to 255. If you do not want to define a particular character, enter 0 into that index table data.

## Sample program

To demonstrate how to define and to use the download characters in IBM mode, let's use the "telephone" character and the other user-defined characters to print a small graph. This program will do just that:

```
1000 WIDTH "LPT1:",255
1010 LPRINT CHR$(27);"=";CHR$(164);CHR$(9);"#";
1020 LPRINT CHR$(&HOF);CHR$(&H80);CHR$(0);
1030 ' INDEX TABLE
1040 LPRINT CHR$(1);
1050 FOR I=0 TO 59
1060 LPRINT STRING$(9,0);
1070 NEXT I
1080 FOR IT=1 TO 9 :READ MM :LPRINT CHR$(MM); :NEXT IT
1090 FOR IT=1 TO 9 :READ MM :LPRINT CHR$(MM); :NEXT IT
1100 FOR I=62 TO 255
1110 LPRINT STRING$(9,0);
1120 NEXT I
1130 ' DOT PATTERN
1140 FOR DP=1 TO 159
1150 READ MM
1160 LPRINT CHR$(MM);
1170 NEXT DP
1180 ' PRINTOUT PROGRAM
1190 LPRINT CHR$(27);"D";CHR$(11);CHR$(0)
1200 LPRINT CHR$(27);"k";CHR$(4);
1210 LPRINT CHR$(27);"h";CHR$(1);
1220 LPRINT "    DIFFUSION RANGES OF"
1230 LPRINT "    CARS & TELEPHONES"
1240 LPRINT CHR$(27);"h";CHR$(0);
1250 LPRINT CHR$(27);"k";CHR$(0)
1260 LPRINT "USA";CHR$(9);
1270 LPRINT CHR$(27);"I";CHR$(6);
1280 FOR I=0 TO 681 STEP 25 :LPRINT CHR$(60); :NEXT I
1290 LPRINT
1300 LPRINT CHR$(9);
1310 FOR I=0 TO 781 STEP 25 :LPRINT CHR$(61); :NEXT I
1320 LPRINT CHR$(27);"I";CHR$(2)
1330 LPRINT "GERMANY";CHR$(9);
1340 LPRINT CHR$(27);"I";CHR$(6);
1350 FOR I=0 TO 412 STEP 25 :LPRINT CHR$(60); :NEXT I
1360 LPRINT
1370 LPRINT CHR$(9);
1380 FOR I=0 TO 488 STEP 25 :LPRINT CHR$(61); :NEXT I
1390 LPRINT CHR$(27);"I";CHR$(2)
1400 LPRINT "JAPAN";CHR$(9);
1410 LPRINT CHR$(27);"I";CHR$(6);
1420 FOR I=0 TO 347 STEP 25 :LPRINT CHR$(60); :NEXT I
```

```

1430 LPRINT
1440 LPRINT CHR$(9);
1450 FOR I=0 TO 493 STEP 25 :LPRINT CHR$(61); :NEXT I
1460 LPRINT CHR$(27);"I";CHR$(2)
1470 LPRINT CHR$(9);"+-";
1480 SCALES="+-+--"
1490 FOR I=1 TO 7 :LPRINT SCALES; :NEXT I
1500 LPRINT "+-+"
1510 LPRINT CHR$(9);"0 ";
1520 FOR I=1 TO 8
1530 LPRINT " ":I;
1540 NEXT I
1550 LPRINT CHR$(27);":"
1560 LPRINT CHR$(27);"S";CHR$(0);
1570 LPRINT CHR$(9);"(100 UNITS/1000 PERSONS)"
1580 LPRINT CHR$(27);"T";
1590 LPRINT CHR$(27);"@"
1600 END
2000 ' DATA
2010 ' Index Table Data
2020 DATA 137, 17, 25,227, 96, 4,242, 0, 96
2030 DATA 137, 92, 28,227, 96, 0, 80, 64, 96
2040 ' Dot Pattern Data
2050 ' Telephone symbol
2060 DATA 0, 0, 0, 7, 0, 0, 15, 0, 0, 31, 0, 0, 59, 0, 0
2070 DATA 59, 15,192, 56, 31,192,112, 63,192,112,127,192,112,255,192
2080 DATA 127,255,192,127,243,192,113,227,192,127,243,192,127,255,192
2090 DATA 112,255,192,112,127,192,112, 63,192, 56, 31,192, 59, 15,192
2100 DATA 59, 0, 0, 31, 0, 0, 15, 0, 0, 7, 0, 0, 0, 0, 0
2110 ' Car symbol
2120 DATA 0, 0, 0, 0, 30, 0, 0, 28, 0, 0, 60, 0, 0, 63, 0
2130 DATA 0,255,128, 0,255,192, 1,255,192, 3,255,192, 7,127,128
2140 DATA 14,127, 0, 28,124, 0, 56,124, 0,112,126, 0, 96,124, 0
2150 DATA 127,254, 0,127,252, 0, 96,124, 0, 96,127, 0, 96,127,128
2160 DATA 96,127,192,112,127,192,124,127,128, 63,127, 0, 15,124, 0
2170 DATA 3,124, 0, 0,254, 0, 0, 0, 0

```

# **MEMO**

---

# Chapter 9

## MS-DOS AND YOUR PRINTER

---

When using your printer with an IBM PS/2, PC-AT or compatible, you will probably be using PC-DOS or MS-DOS as an operating system. A number of software tricks may be useful here. This chapter is not, however, a substitute for the operating system manuals supplied with your computer.

To learn how to print files, etc. it is best to read the relevant parts of these manuals.

### INSTALLING APPLICATION SOFTWARE WITH YOUR PRINTER

When installing application software, you may find that your printer is not specifically mentioned in the lists of printers given for installation. However, this should pose no problem. Read this section, and guidelines provided with your software on printer installation.

Choose one of the following (in order of preference) according to your selected Emulation mode.

#	Standard mode	IBM mode
1	Star XB-2410/2415 Star XB24-10/15	* Proprinter XL24E * Proprinter X24E
2	Star NX-2420 Color Star LC24-200 Color	* Proprinter XL24 * Proprinter X24
3	* Star NX-2420 * Star LC24-200	
4	Epson LQ-860/1060	
5	* Epson LQ-850/1050	

NOTE: \* does not support color printing.

You can also select one of NEC 24-wire printers to print graphics in the Standard emulation mode.

If your software package does not mention printers by name, but asks instead what features your printer is capable of, the most common questions are: "Can your printer perform a backspace?" and "Can it do a hardware form feed?". You should answer "Yes" to both these questions.

Other software packages may allow you to install specific features. Spreadsheet programs will often ask for the maximum number of columns to be printed. This is given below.

	CPI	Number of columns	
		Normal type	Wide type
Pica	10	80	136
Elite	12	96	163
Semi-condensed	15	120	204
Condensed pica	17.1	137	233
Condensed elite	20	160	272
Proportional		Variable	

Sometimes the software installation will ask you for an initialization sequence to return to the default settings. The command for your printer is <ESC>@.

Make sure that the EDS switches are set for the correct printer emulation, and that you have selected the appropriate character set using the EDS switches.

If you are in doubt about the configuration of your application software, seek expert advice. Your software supplier will probably be your most qualified reference.

## EMBEDDING PRINTER COMMANDS

Many word-processors and other software lack commands for changing font, printing double-size characters, or printing in color. Your printer therefore has commands that can be embedded in documents to control these functions without software help. The commands consist of a capital letter enclosed in double parentheses, followed by a digit:

Font:	((F))0	Roman
	((F))1	Sanserif
	((F))2	Courier
	((F))3	Prestige
	((F))4	Script
	((F))5	OCR-B
	((F))6	OCR-A

	((F))7	Orator
	((F))8	Orator 2
	((F))9	Draft
Size:	((S))0	Standard size
	((S))1	Double width
	((S))2	Double height
	((S))3	Double width and height
Color:	((C))0	Black
	((C))1	Magenta
	((C))2	Cyan
	((C))3	Violet
	((C))4	Yellow
	((C))5	Orange
	((C))6	Green

If you want to print a title in double-size Script, then change to regular-size fonts for other text, you can use these commands as follows:

File as seen on computer screen:

```
((F))4 ((S))3
Printer commands
((F))0 ((S))0
Font commands ((F))1 can be ((F))2 embedded
((F))3 anywhere ((F))9 in a document.
```

Printout:

*Printer commands*

Font commands can be embedded  
anywhere in a document.

When you use these commands there are several points to note:

- The font ((F)) command is ignored if the FONT LOCK mode was selected when power was switched on.
- The color ((C)) command is valid only when the color ribbon is installed.
- A line consisting of commands alone prints as a blank line.

- The software will not know that these are commands, so you cannot trust your software to give you the correct line width. The printed line may be considerably shorter than the line on the screen; the extra space being the space that was occupied by the commands.

One way to handle the last problem is to prepare your document without the commands, then insert them as a final step, with the margins released. The find, replace, and copy functions of word-processing software can be helpful here.

If you do not use these commands or the panel controls, the printer will print standard-size, Roman characters.

The printer supports various commands in addition to the above, such as quadruple-size printing. Most of these other commands consist of the escape code followed by one or more letters or numbers.

If your software enables you to place the escape code in your files, or if you are able to define this as a user option during installation, you can also embed these escape sequences.

## **PROGRAMMING THE PRINTER WITH DOS COMMANDS**

If your system includes the file PRINT.COM you can use the main DOS printing command. Simply type the word PRINT followed by the name of the file you want to print. To print a file named README.DOC, for example, type:

```
A>PRINT README.DOC
```

The computer may respond with the following message, asking which printer to use:

```
Name of list device [PRN]:
```

If your computer is connected to only one printer, press RETURN to select the default choice (PRN). Printing will begin and the A> prompt will reappear. You can execute other commands or programs while the file is being printed.

A single PRINT command can print two or more files. List the file names consecutively on the same line, or use wild-card characters (\* and ?). Each file will be printed starting on a new page. The PRINT command also has

control options. For example, you can terminate a printing job in progress with the /T option. (The printer may not stop printing immediately as there may be considerable data stored ahead in its buffer.) For the /T option, type:

```
A>PRINT/T
```

See your DOS manual for further information about the PRINT command. If your system does not include PRINT.COM, you can print files by using the PRN device name in COPY or TYPE commands such as the following:

```
A>COPY README.DOC PRN
A>TYPE README.DOC >PRN
```

COPY and TYPE do not permit you to execute other commands while the file is printing.

If you want a particular font, or print pitch, you can make these settings from the control panel before you start printing. See Chapter 5.

If you print from the DOS command level very often, it will be advantageous to create a printer setup file. Then instead of setting font style etc. manually each time, you can complete the setup with a single command from your computer. For example, you can create a file containing printer commands to select letter quality, and select elite pitch with the Standard mode. You can find the commands in Chapter 7. We suggest the following:

- Letter quality           <ESC>   “x”   “1”
- Elite pitch             <ESC>   “!”   <1>

<ESC> “!” <1> is a powerful command that, in addition to selecting elite pitch, cancels unwanted features such as underlining which might be left from previous commands. The angle brackets around the <1> indicate character code 1, which is a control code, not the printable digit “1”.

You may want to place additional commands in this file, such as left and right margins, line spacing and bottom margin commands. Or you may want to create a variety of setup files with a different set of commands in each.

To avoid excess line feeds, you should place the commands on one line in the setup file. You may or may not be able to generate a setup file with word-processing software; it depends on whether your software lets you enter control codes. If your system includes the file EDLIN.COM, however, you can easily create a setup file with the DOS line editor.



An appropriate name for this setup file would be LQELITE.DAT. To use the DOS line editor, type the command EDLIN LQELITE.DAT, then type the underlined parts of the following display. Press RETURN at the end of each line. Do not type the symbol “^”. This symbol means to hold the CTRL key down while pressing the next key: for example, ^V means to type CTRL-V. ^C means to type CTRL-C, which indicates the end of the input.

```
A>EDLIN LQELITE.DAT
New file
*1
      1: *^V[x1^V[!^VA
      2: *^C
*E
```

^V indicates that the following character is a control code. ^V[ enters the <ESC> code. <ESC> has character code 27, and “[“ is the 27th character from A in the ASCII sequence. Similarly, ^VA enters the control code <1>. See your DOS manual if you need further information about EDLIN.

You can now set up the printer by sending it the file LQELITE.DAT. To avoid unnecessary logging of commands, switch hard-copy output off (by pressing CTRL-PRTSC if hard copy is on). To print the file README.DOC in LQ elite type, give the following two commands:

```
A>COPY LQELITE.DAT PRN
A>PRINT README.DOC
```

For greater convenience you can make a batch file that will set up the printer and print any specified file with a single command. To create such a batch file with the name LQPRINT.BAT, type in the first four lines shown next. ^Z means to press the CTRL and Z keys simultaneously. To use this file to print README.DOC, type the fifth line.

```
A>COPY CON LQPRINT.BAT
COPY LQELITE.DAT PRN
PRINT %1
^Z
A>LQPRINT README.DOC
```

The first line above is a copy command from the CONsole screen to a file named LQPRINT.BAT. The next two lines are the contents of this file. The %1 is a dummy parameter: whatever file name you type after LQPRINT will be substituted for %1 and printed.

# PROGRAMMING WITH BASIC

As an example of programming the printer on Microsoft BASIC, we have listed the program for the IBM-PC. This program runs in the printer's Standard mode, and the downloadable condition.

```
1000 ' Set control codes
1010 E$=CHR$(27) 'Escape code
1020 D$=E$+"x0" 'Draft quality
1030 L$=E$+"x1"+E$+"k" 'Letter quality
1040 RMs=L$+CHR$(0) 'Roman character
1050 H$=CHR$(9) 'Horizontal tab
1060 PIs=E$+"P" 'Pica pitch
1070 ' Start printing
1080 WIDTH "LPT1:",255
1090 LPRINT E$;"D";CHR$(3);CHR$(24);CHR$(0) 'Set HT
1100 LPRINT L$;CHR$(0);"Resident fonts are:"
1110 LPRINT H$;D$;"Draft characters,";
1120 LPRINT H$;L$;CHR$(0);"Roman characters,"
1130 LPRINT H$;L$;CHR$(1);"Sanserif characters,";
1140 LPRINT H$;L$;CHR$(2);"Courier characters,"
1150 LPRINT H$;L$;CHR$(3);"Prestige characters,";
1160 LPRINT H$;L$;CHR$(4);"Script characters,"
1170 LPRINT H$;L$;CHR$(7);"Orator characters,";
1180 LPRINT H$;L$;CHR$(12);"H-Gothic characters,"
1190 LPRINT H$;L$;CHR$(32);"SLQ Roman,";
1200 LPRINT H$;L$;CHR$(33);"SLQ TW-Light."
1210 LPRINT
1220 LPRINT RMs;"Print pitches are:"
1230 LPRINT H$;PIs;"Pica pitch (10 CPI),";
1240 LPRINT H$;E$;"M";"Elite pitch (12 CPI),";
1250 LPRINT H$;E$;"g";"Semi-condensed pitch (15 CPI),";
1260 LPRINT H$;PIs;
1270 LPRINT CHR$(15); 'Select condensed print
1280 LPRINT "Condensed pica pitch (17 CPI),";
1290 LPRINT H$;E$;"M";"Condensed elite pitch (20 CPI),";
1300 LPRINT CHR$(18) 'Cancel condensed print
1310 LPRINT H$;E$;"p1"; 'Select proportional spacing
1320 LPRINT PIs;"Normal proportional,";
1330 LPRINT H$;CHR$(15);"Condensed proportional,";
1340 LPRINT CHR$(18);
1350 LPRINT E$;"p0" 'Cancel proportional spacing
1360 LPRINT
1370 LPRINT H$;E$;"w1";"Double-height,";E$;"w0"
1380 LPRINT H$;E$;"W1";"Double width,";E$;"W0"
1390 LPRINT H$;CHR$(28);"E";CHR$(2);"Triple width,";
1400 LPRINT CHR$(28);"E";CHR$(0)
1410 LPRINT H$;E$;"h";CHR$(1);"Double-sized,"
1420 LPRINT H$;E$;"h";CHR$(2);"Quad-sized,";
1430 LPRINT E$;"h";CHR$(0)
1440 LPRINT :LPRINT
1450 LPRINT E$;"Q";CHR$(47) 'Set right margin
1460 LPRINT RMs;"Various line and character spacings:"
1470 LPRINT E$;"a1" 'Center text
1480 FOR I=1 TO 7
1490 LPRINT E$;"A";CHR$(I); 'Line spacing set
1500 LPRINT E$;" ";CHR$(I); 'Increase character space
1510 LPRINT "THE SPACINGS ARE CHANGED"
1520 NEXT I
1530 FOR I=7 TO 1 STEP -1
1540 LPRINT E$;"A";CHR$(I); 'Line spacing set
1550 LPRINT E$;" ";CHR$(I); 'Increase character space
1560 LPRINT "THE SPACINGS ARE CHANGED"
1570 NEXT I
```

```

1580 LPRINT ES;"a0" 'Left justify
1590 LPRINT ES;"3";CHR$(30); 'Set 1/6" line spacing
1600 LPRINT ES;" ";CHR$(0); 'Normal character space
1610 LPRINT :LPRINT
1620 LPRINT RMS;"Other features:"
1630 LPRINT HS;ES;"q";CHR$(1);"OUTLINED";ES;"q";CHR$(0);", ";
1640 LPRINT ES;"q";CHR$(2);"SHADOWED";ES;"q";CHR$(0);", ";
1650 LPRINT ES;"q";CHR$(3);"OUTLINED WITH SHADOWED";
1660 LPRINT ES;"q";CHR$(0);", "
1670 LPRINT HS;ES;"E";"Emphasized";ES;"F";", ";
1680 LPRINT ES;"G";"Double-strike";ES;"H";", ";
1690 LPRINT ES;"4";"Italics";ES;"5";", "
1700 LPRINT HS;ES;"-1";"Underlining";ES;"-0";", ";
1710 LPRINT ES;"(-";CHR$(3);CHR$(0);CHR$(1);CHR$(2);CHR$(2);
1720 LPRINT "Strike-through";
1730 LPRINT ES;"(-";CHR$(3);CHR$(0);CHR$(1);CHR$(2);CHR$(0);", ";
1740 LPRINT ES;"(-";CHR$(3);CHR$(0);CHR$(1);CHR$(3);CHR$(1);
1750 LPRINT "Overlining";
1760 LPRINT ES;"(-";CHR$(3);CHR$(0);CHR$(1);CHR$(3);CHR$(0);", "
1770 LPRINT HS;ES;"S0";"SUPERSCRIPT";ES;"T";" and ";
1780 LPRINT ES;"S1";"SUBSCRIPT";ES;"T";", "
1790 LPRINT HS;RMS;"Download characters: ";
1800 SS$=ES+"S0" 'Superscript
1810 GOSUB 2520
1820 LPRINT ES;"%1"; 'Select download character
1830 FOR I=1 TO 5
1840 LPRINT CHR$(60); 'Print download character
1850 NEXT I
1860 LPRINT ES;"%0"; 'Select normal character
1870 LPRINT ES;"T" 'Cancel superscript
1880 GOSUB 2650
1890 LPRINT ES;"%1"; 'Select download character
1900 FOR I=1 TO 5
1910 LPRINT CHR$(60); 'Print download character
1920 NEXT I
1930 LPRINT ES;"%0"; 'Select normal character
1940 SS$=ES+"S1" 'Subscript
1950 GOSUB 2520
1960 LPRINT ES;"%1"; 'Select download character
1970 FOR I=1 TO 5
1980 LPRINT CHR$(60); 'Print download character
1990 NEXT I
2000 LPRINT ES;"%0"; 'Select normal character
2010 LPRINT ES;"T" 'Cancel superscript
2020 LPRINT HS;RMS;"Dot graphics:"
2030 RESTORE 3170
2040 LPRINT ES;"A";CHR$(8); 'Set 8/60" line spacing
2050 FOR I=1 TO 3
2060 LPRINT ES;"f0";CHR$(8);
2070 LPRINT ES;"*";CHR$(33);CHR$(240);CHR$(0);
2080 FOR J=1 TO 240*3
2090 READ DAT
2100 LPRINT CHR$(DAT);
2110 NEXT J
2120 LPRINT
2130 NEXT I
2140 LPRINT ES;"@" 'Initialize printer
2150 END
2500 '
2510 ' SUBROUTINES
2520 ' Define super/subscript download character
2530 LPRINT SS$; 'Select super/subscript
2540 LPRINT ES;"&";CHR$(0);CHR$(60);CHR$(60);
2550 RESTORE 3010
2560 READ LS :LPRINT CHR$(LS);
2570 READ CW :LPRINT CHR$(CW);
2580 READ RS :LPRINT CHR$(RS);

```

```

2590 FOR M=1 TO CW*2
2600 READ MM
2610 LPRINT CHR$(MM);
2620 NEXT M
2630 RETURN
2640 '
2650 ' Define LQ pica download character
2660 LPRINT C$;
2670 LPRINT E$;"&";CHR$(0);CHR$(60);CHR$(60);
2680 RESTORE 3070
2690 READ LS :LPRINT CHR$(LS);
2700 READ CW :LPRINT CHR$(CW);
2710 READ RS :LPRINT CHR$(RS);
2720 FOR M=1 TO CW*3
2730 READ MM
2740 LPRINT CHR$(MM);
2750 NEXT M
2760 RETURN
3000 ' DATA
3010 ' Super/subscript download character data
3020 DATA 9, 19, 8
3030 DATA 12, 0, 16, 0, 44, 0, 80,120, 32,128, 95,120, 32,128
3040 DATA 95,120, 32,128, 65,120, 32,128, 95,120, 32,128, 95,120
3050 DATA 32,128, 80,120, 44, 0, 16, 0, 12, 0
3060 '
3070 ' LQ pica download character data
3080 DATA 3, 31, 2
3090 DATA 0, 0, 0, 7, 0, 0, 8, 0, 0, 23, 0, 0, 40, 0, 0
3100 DATA 19, 15,192, 40, 16, 0, 80, 47,192, 32, 80, 0, 80,175,192
3110 DATA 47, 80, 0, 80,175,192, 47, 80, 0, 80,163,192, 33, 64, 0
3120 DATA 80,163,192, 33, 64, 0, 80,163,192, 47, 80, 0, 80,175,192
3130 DATA 47, 80, 0, 80,175,192, 32, 80, 0, 80, 47,192, 40, 16, 0
3140 DATA 19, 15,192, 40, 0, 0, 23, 0, 0, 8, 0, 0, 7, 0, 0
3150 DATA 0, 0, 0
3160 '
3170 ' Dot graphics data
3180 ' 1ST LINE
3190 DATA 0, 0, 0, 0, 0, 0, 0, 0, 0, 0, 0, 0, 0, 0, 0
3200 DATA 0, 0, 0, 0, 0, 0, 0, 0, 0, 0, 0, 0, 0, 0, 0
3210 DATA 0, 0, 0, 0, 0, 0, 0, 0, 0, 0, 0, 0, 0, 0, 0
3220 DATA 0, 0, 0, 0, 0, 0, 0, 0, 0, 0, 0, 0, 0, 0, 0
3230 DATA 0, 0, 0, 0, 0, 0, 0, 0, 0, 0, 0, 127,255, 0,255,255
3240 DATA 1,255,255, 3, 0, 0, 7, 0, 0, 7, 0, 0, 15, 0, 0
3250 DATA 31, 0, 0, 31, 0, 0, 31, 0, 0, 31, 0, 0, 31, 0, 0
3260 DATA 31, 0, 0, 31, 0, 0, 31, 0, 0, 31, 0, 0, 31, 0, 0
3270 DATA 31, 0, 0, 31, 0, 0, 31, 0, 0, 31, 0, 0, 31, 0, 0
3280 DATA 31, 0, 0, 31,128, 0, 31,224, 0, 31,248, 0, 31,255, 0
3290 DATA 31,255,224, 15,255,248, 7,255,255, 1,255,255, 0,127,255
3300 DATA 0, 7,255, 0, 0,255, 0, 0, 63, 0, 0, 63, 0, 0,248
3310 DATA 0, 3,192, 0, 63, 0, 0,248, 0, 1,128, 0, 3, 0, 0
3320 DATA 7, 0, 0, 15, 0, 0, 15, 0, 0, 31, 0, 0, 31, 0, 0
3330 DATA 31, 0, 0, 31, 0, 0, 31, 0, 0, 31, 0, 0, 31, 0, 0
3340 DATA 31, 0, 0, 31, 0, 0, 31, 0, 0, 31, 0, 0, 31, 0, 0
3350 DATA 31, 0, 0, 31, 0, 0, 31, 0, 0, 31, 0, 0, 31, 0, 0
3360 DATA 31,255,255, 31,255,255, 31,255,255, 31,255,255, 31,255,255
3370 DATA 31,255,255, 15,255,255, 0, 0, 0, 0, 0, 0, 0, 0, 0
3380 DATA 0, 0, 0, 0, 0, 0, 0, 0, 0, 0, 0, 0, 0, 0, 0
3390 DATA 0, 0, 0, 0, 0, 0, 0, 0, 0, 0, 0, 0, 0, 0, 0
3400 DATA 0, 0, 0, 0, 0, 60, 0, 3,255, 0, 11,195, 0, 28, 0
3410 DATA 0, 12, 0, 0, 96, 0, 0,192, 0, 0,192, 0, 1,128, 0
3420 DATA 3, 0, 0, 3, 0, 0, 7, 0, 0, 7, 0, 0, 15, 0, 0
3430 DATA 15, 0, 0, 31, 0, 0, 31, 0, 0, 31, 0, 0, 31, 0, 15
3440 DATA 31, 0, 31, 31, 0, 31, 31, 0, 31, 31, 0, 31, 31, 0, 31
3450 DATA 31, 0, 31, 31, 0, 31, 31, 0, 31, 31, 0, 31, 31, 0, 31
3460 DATA 31, 0, 31, 31, 0, 31, 31, 0, 31, 31, 0, 31, 31, 0, 31
3470 DATA 31, 0, 31, 31, 0, 31, 31, 0, 31, 31, 0, 31, 31, 0, 63
3480 DATA 31,255,255, 31,255,255, 31,255,247, 31,255,231, 31,255,199

```

3490 DATA 15,255,135, 7,255, 7, 0, 0, 3, 0, 0, 1, 0, 0, 0  
3500 DATA 0, 0, 0, 0, 0, 0, 0, 0, 0, 0, 0, 0, 0, 0, 0  
3510 DATA 0, 0, 0, 0, 0, 0, 0, 0, 0, 0, 0, 0, 0, 0, 254, 0  
3520 DATA 1,255,240, 3,135,255, 7, 0, 63, 15, 0, 0, 15, 0, 0  
3530 DATA 31, 0, 0, 31, 0, 0, 31, 0, 0, 31, 0, 0, 31, 0, 0  
3540 DATA 31, 0, 0, 31, 0, 0, 31, 0, 0, 31,128, 0, 31,128, 0  
3550 DATA 31,192, 0, 31,255, 0, 31,255,255, 31,255,255, 31,255,255  
3560 DATA 31,255,255, 15,255,255, 7,255,255, 0,255,240, 1,254, 0  
3570 DATA 1,240, 0, 3,128, 0, 7, 0, 0, 15, 0, 0, 31, 0, 0  
3580 DATA 31, 0, 0, 31, 0, 0, 31, 0, 0, 31, 0, 0, 31, 0, 0  
3590 DATA 31, 0, 0, 31, 0, 0, 31, 0, 0, 31,128, 0, 31,128, 0  
3600 DATA 31,192, 0, 31,240, 0, 31,255, 0, 31,255,240, 31,255,255  
3610 DATA 31,255,255, 7,255,255, 0,255,255, 0,255,255, 1,255,240  
3620 DATA 3,192, 0, 7,128, 0, 15, 0, 0, 31, 0, 0, 31, 0, 0  
3630 DATA 31, 0, 0, 31, 0, 0, 31, 0, 0, 31, 0, 0, 31, 0, 0  
3640 DATA 31, 0, 0, 31, 0, 0, 31, 0, 0, 31, 0, 15, 31,135,255  
3650 DATA 31,255,255, 31,255,255, 31,255,255, 31,255,255, 31,255,240  
3660 DATA 15,252, 0, 47,128, 0, 0, 0, 0, 0, 0, 0, 0, 0, 0  
3670 '2ND LINE  
3680 DATA 0, 0, 0, 0, 0, 0, 0, 0, 0, 0, 0, 0, 0, 0, 0  
3690 DATA 0, 0, 0, 0, 0, 0, 0, 0, 0, 0, 0, 0, 0, 0, 0  
3700 DATA 0, 0, 0, 0, 0, 0, 0, 0, 0, 0, 0, 0, 0, 0, 0  
3710 DATA 0, 0, 0, 0, 0, 0, 0, 0, 0, 0, 0, 0, 0, 0, 0  
3720 DATA 0, 0, 0, 0, 0, 0, 0, 0, 0, 0,255,255,255,255,255,255  
3730 DATA 255,255,255, 0, 0, 0, 0, 0, 0, 0, 0, 0, 0, 0, 0, 0  
3740 DATA 0, 0, 0, 0, 0, 0, 0, 0, 0, 0, 0, 0, 0, 0, 0  
3750 DATA 0, 0, 0, 0, 0, 0, 0, 0, 0, 0, 0, 0, 0, 0, 0  
3760 DATA 255,255,255, 31,255,255, 7,255,255, 0,255,255, 0, 31,255  
3770 DATA 0, 3,255, 0, 0,255, 0, 0, 31, 0, 0, 7, 0, 0, 0, 0  
3780 DATA 0, 0, 0, 0, 0, 0, 0, 0, 0, 0,224, 0, 0,252, 0, 0  
3790 DATA 254, 0, 0,248, 0, 0,192, 0, 0, 0, 0, 0, 0, 0, 0, 0  
3800 DATA 0, 0, 0, 0, 0, 0, 0, 0, 0, 0, 0, 0, 7, 0, 0, 63  
3810 DATA 0, 1,255, 0, 15,255, 0,127,255, 1,255,255, 15,255,255  
3820 DATA 255,255,255, 0, 0, 0, 0, 0, 0, 0, 0, 0, 0, 0, 0, 0  
3830 DATA 0, 0, 0, 0, 0, 0, 0, 0, 0, 0, 0, 0, 0, 0, 0  
3840 DATA 0, 0, 0, 0, 0, 0, 0, 0, 0, 0, 0, 0, 0, 0, 0  
3850 DATA 255,255,255,255,255,255,255,255,255,255,255,255,255,255,255  
3860 DATA 255,255,255,255,255,255, 0, 0, 0, 0, 0, 0, 0, 0, 0  
3870 DATA 0, 0, 0, 0, 0, 0, 0, 0, 0, 0, 0, 0, 0, 0, 0  
3880 DATA 0, 0, 0, 0, 0, 0, 0, 0, 0, 0, 0, 0, 0, 0, 0  
3890 DATA 0, 7,224, 0, 63,252,128,120, 31,192,224, 3, 97,128, 0  
3900 DATA 59, 0, 0, 30, 0, 0, 14, 0, 0, 12, 0, 0, 12, 0, 0  
3910 DATA 0, 0, 0, 0, 0, 0, 0, 0, 0, 0, 0, 0, 0, 0, 0  
3920 DATA 0, 0, 0, 0, 0, 0, 0, 0, 0, 0, 0, 0, 0, 0, 63, 0  
3930 DATA 128,127,128,128,127,128,128,127,128,128,127,128,128,255,128  
3940 DATA 223,255,128,255,255,128,255,255, 0,224, 0, 0,224, 0, 0  
3950 DATA 224, 0, 0,224, 0, 0,224, 0, 0,224, 0, 0,224, 0, 0  
3960 DATA 224, 0, 0,224, 0, 0,224, 0, 0,224, 0, 0,224, 0, 0  
3970 DATA 224, 0, 1,224, 0, 3,240, 0, 15,255,255,255,255,255,254  
3980 DATA 255,255,254,255,255,252,255,255,248,255,255,224,255,255,128  
3990 DATA 0, 0, 0, 0, 0, 0, 0, 0, 0, 0, 0, 0, 0, 0, 0  
4000 DATA 0, 0, 0, 0, 0, 0, 0, 0, 0, 0, 0, 0, 0, 0, 0  
4010 DATA 0, 0, 0, 0, 0, 0,240, 0, 0,255, 0, 0, 15,248, 0  
4020 DATA 0, 63, 0, 0, 3,248, 0, 0, 31, 0, 0, 3, 0, 0, 0  
4030 DATA 0, 0, 0, 0, 0, 0, 0, 0, 0, 0, 0, 0, 0, 0, 0  
4040 DATA 0, 0, 0, 0, 0, 0, 0, 0, 0, 0,255, 0, 0,255,224, 0  
4050 DATA 255,128, 0,240, 0, 0, 0, 0, 0, 0, 0, 0, 0, 0, 0  
4060 DATA 0, 0, 0, 0, 0, 0, 0, 0, 0, 0, 0, 7, 0, 0,127  
4070 DATA 0, 7,255, 0, 63,255, 1,255,255, 31,255,255, 3,255,255  
4080 DATA 0,127,254, 0, 7,252, 0, 0,127, 0, 0, 7, 0, 0, 0  
4090 DATA 0, 0, 0, 0, 0, 0, 0, 0, 0, 0, 0, 0,128, 0, 0  
4100 DATA 248, 0, 0,255, 0, 0,255,192, 0,128, 0, 0, 0, 0, 0  
4110 DATA 0, 0, 0, 0, 0, 0, 0, 0, 0, 0, 0, 0, 0, 0, 0  
4120 DATA 0, 0, 0, 0, 0, 0, 0, 0, 0, 0, 0, 0, 1, 0, 0, 63  
4130 DATA 0, 31,255, 7,255,255,255,255,255,255,255,255,255,254  
4140 DATA 255,255,192,255,248, 0,255, 0, 0, 0, 0, 0, 0, 0, 0  
4150 DATA 0, 0, 0, 0, 0, 0, 0, 0, 0, 0, 0, 0, 0, 0, 0

```

4160 ' 3RD LINE
4170 DATA 0, 0, 0, 0, 0, 0, 0, 0, 0, 0, 0, 24, 0, 0, 56
4180 DATA 0, 0, 56, 0, 0, 120, 0, 0, 248, 0, 1, 248, 0, 1, 248
4190 DATA 0, 3, 248, 0, 7, 248, 0, 7, 248, 0, 15, 248, 0, 15, 248
4200 DATA 0, 31, 248, 0, 63, 248, 0, 127, 248, 0, 127, 248, 0, 255, 248
4210 DATA 0, 255, 248, 1, 255, 248, 3, 255, 248, 199, 255, 248, 247, 255, 248
4220 DATA 255, 255, 248, 31, 255, 240, 15, 255, 240, 15, 255, 224, 15, 255, 224
4230 DATA 15, 255, 192, 15, 255, 192, 15, 255, 192, 15, 255, 128, 15, 255, 128
4240 DATA 15, 255, 0, 15, 255, 0, 15, 255, 0, 15, 254, 0, 15, 254, 0
4250 DATA 252, 252, 24, 252, 252, 56, 249, 252, 248, 249, 252, 248, 243, 255, 248
4260 DATA 227, 255, 248, 231, 255, 248, 199, 255, 248, 231, 255, 248, 255, 255, 248
4270 DATA 31, 255, 248, 15, 255, 248, 15, 255, 248, 15, 255, 248, 15, 255, 248
4280 DATA 15, 255, 248, 15, 255, 248, 15, 255, 248, 15, 255, 248, 15, 207, 248
4290 DATA 31, 15, 248, 30, 31, 248, 252, 63, 248, 248, 127, 248, 240, 127, 240
4300 DATA 224, 255, 240, 225, 255, 240, 195, 255, 224, 199, 255, 192, 247, 255, 128
4310 DATA 255, 255, 128, 63, 255, 0, 31, 254, 0, 15, 254, 0, 15, 252, 0
4320 DATA 15, 248, 0, 15, 240, 0, 15, 240, 0, 15, 224, 0, 15, 192, 0
4330 DATA 15, 192, 0, 15, 128, 0, 15, 0, 0, 31, 0, 0, 62, 0, 0
4340 DATA 252, 0, 0, 252, 0, 0, 248, 0, 0, 240, 0, 224, 240, 0, 240
4350 DATA 224, 1, 240, 192, 1, 248, 0, 3, 248, 0, 3, 248, 0, 3, 248
4360 DATA 0, 7, 248, 0, 7, 248, 0, 63, 248, 0, 127, 248, 0, 127, 248
4370 DATA 0, 255, 248, 0, 255, 248, 1, 255, 248, 1, 255, 248, 1, 255, 248
4380 DATA 3, 255, 248, 3, 255, 248, 3, 255, 248, 131, 255, 248, 199, 255, 248
4390 DATA 103, 255, 248, 119, 255, 248, 55, 255, 248, 63, 255, 248, 31, 255, 248
4400 DATA 31, 255, 248, 31, 255, 248, 15, 255, 248, 15, 255, 248, 15, 255, 248
4410 DATA 15, 255, 248, 15, 255, 248, 15, 255, 248, 15, 255, 248, 15, 255, 240
4420 DATA 15, 255, 240, 15, 255, 224, 15, 255, 192, 15, 255, 192, 15, 254, 0
4430 DATA 15, 254, 0, 15, 254, 0, 15, 254, 0, 15, 254, 0, 15, 254, 0
4440 DATA 15, 252, 0, 15, 252, 0, 15, 248, 0, 15, 240, 0, 31, 240, 0
4450 DATA 31, 224, 0, 31, 192, 0, 55, 128, 0, 48, 0, 8, 96, 0, 24
4460 DATA 192, 0, 24, 128, 0, 56, 0, 0, 56, 0, 0, 120, 0, 0, 120
4470 DATA 0, 0, 248, 0, 0, 248, 0, 1, 248, 0, 1, 248, 0, 3, 248
4480 DATA 0, 3, 248, 0, 7, 248, 0, 7, 248, 0, 15, 248, 0, 15, 248
4490 DATA 0, 31, 248, 0, 31, 240, 0, 63, 240, 0, 63, 224, 0, 127, 224
4500 DATA 0, 127, 192, 0, 255, 192, 0, 255, 128, 1, 255, 128, 1, 255, 24
4510 DATA 3, 255, 56, 3, 255, 248, 231, 255, 248, 255, 255, 248, 31, 255, 248
4520 DATA 15, 255, 248, 15, 255, 248, 15, 255, 248, 15, 255, 248, 15, 255, 248
4530 DATA 15, 255, 248, 15, 255, 248, 15, 255, 248, 15, 255, 248, 15, 255, 240
4540 DATA 15, 255, 240, 15, 255, 240, 15, 255, 224, 15, 255, 224, 15, 255, 192
4550 DATA 15, 255, 192, 31, 255, 128, 254, 127, 128, 252, 127, 24, 248, 255, 56
4560 DATA 248, 255, 248, 240, 255, 248, 225, 255, 248, 193, 255, 248, 131, 255, 248
4570 DATA 3, 255, 248, 7, 255, 248, 135, 255, 248, 231, 255, 248, 255, 255, 248
4580 DATA 63, 255, 248, 31, 255, 248, 15, 255, 248, 15, 255, 248, 15, 255, 240
4590 DATA 15, 255, 240, 15, 255, 224, 15, 255, 192, 15, 255, 128, 15, 255, 0
4600 DATA 15, 254, 0, 15, 252, 0, 15, 248, 0, 15, 240, 0, 15, 224, 0
4610 DATA 15, 192, 0, 15, 0, 0, 62, 0, 0, 252, 0, 0, 248, 0, 0
4620 DATA 240, 0, 0, 224, 0, 0, 192, 0, 0, 128, 0, 0, 0, 0, 0
4630 DATA 0, 0, 0, 0, 0, 0, 0, 0, 0, 0, 0, 0, 0, 0, 0
4640 DATA 0, 0, 0, 0, 0, 0, 0, 0, 0, 0, 0, 0, 0, 0, 0

```

## ***How the program works***

This program begins by assigning a number of printer commands to BASIC string variables (lines 1000 to 1060). You can find most of these commands near the beginning of chapter 7.

The WIDTH "LPT1:" 255 statement in line 1080 means infinite line width. It prevents the IBM-PC from inserting unwanted carriage returns and line feeds in graphics data.

Actual printing begins in line 1090. Using the preassigned commands, the program prints samples of its different fonts, followed by samples of the print pitches, then some double and quadruple-sized printing.

Next comes the central attraction of the program: a line of text printed fourteen times in expanding and contracting loops to give a barrel effect. The work is done by four printer commands: a command setting the right margin (line 1450); a centering command (line 1470); a command to vary the line spacing (lines 1490 and 1540); and a command to micro-adjust the space between characters (lines 1500 and 1550).

Next the program returns to normal spacing and gives a demonstration of the printer's word-processing abilities: italic printing, bold printing, underlining, subscripts, etc.

The row of telephone symbols in the next printed line is created by downloading two new character patterns, which are printed in place of the character "<" (character 60). Details can be found in Chapter 8.

The final part of the program uses dot graphics to print an "M & W" logo. The dot pattern of the logo was originally laid out on graph paper, then converted to the data in lines 3180 to 4640 with the help of a calculator. Each number represents eight vertical dots. (See "Graphics commands" in Chapter 7 for details.)

The pattern is printed in three rows, each row is twenty-four dots high and 240 dots wide. Line 2040 sets the line spacing to 8/60 inch so that the rows will connect vertically. The loop in lines 2050 to 2130 does the printing in three passes of the print head.

Resident fonts are:

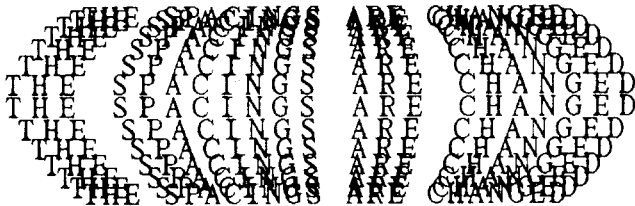
Draft characters,	Roman characters,
Sanserif characters,	Courier characters,
Prestige characters,	<i>Script characters,</i>
ORATOR CHARACTERS,	H-Gothic characters,
SLQ Roman,	SLQ TW-Light.

Print pitches are:

Pica pitch (10 CPI),	Elite pitch (12 CPI),
Semi-condensed pitch (15 CPI),	Condensed pica pitch (17 CPI),
Condensed elite pitch (20 CPI),	
Normal proportional,	Condensed proportional.

Double-height,  
Double width,  
Triple width,  
Double-sized,  
**Quad-sized.**

Various line and character spacings:



Other features:

**OUTLINED, SHADOWED, OUTLINED WITH SHADOWED,**  
**Emphasized, Double-strike, *Italics,***  
Underlining, ~~Strike through~~, Overlining,  
SUPERSCRIPT and SUBSCRIPT,

Download characters: **\*\*\*\*\*22222\*\*\*\*\***

Dot graphics:

**M&W**



# ***MEMO***

---

# Chapter 10 TROUBLESHOOTING AND MAINTENANCE

---

The following section on troubleshooting and maintenance is intended only as a brief guide to these functions. Remember that your printer is a highly sophisticated electronic device, which also contains high voltage inside. For that reason, only carry out those operations described in this chapter.

**CAUTION:** Any attempt to carry out operations other than those described here may result in electric shock and/or damage to the printer. When carrying out any repairs or maintenance, always follow the instructions carefully.

## TROUBLESHOOTING

Your printer is a reliable piece of precision machinery, which should not cause you any trouble, provided it is used and treated sensibly. However, the few elementary tips below should help you avoid having to make unnecessary service calls. The following table gives you ideas on where to look in this section if you experience faults:

Region of fault	Description
Power supply	Power is not being supplied to the printer
Printing	The printer does not print, or stops printing
	The print is faint or uneven
	Dots are missing in characters or graphics
	While using application software, fonts or characters cannot be printed
	The printout is not what is expected when running a program
Paper feeding	Single sheets do not feed properly (without ASF)
	Continuous paper does not feed properly with the tractor feed
	The ASF is not operating or is not feeding paper properly
	Paper park (switching between continuous paper and cut sheets) is not working properly
	Text is being printed all on one line, or with extra blank lines
	Page length and margin settings are not what is expected

## Power supply

If the POWER indicator does not illuminate, check the following:

Check	Possible remedy
Is the power cable properly plugged into the electrical outlet?	Turn off the printer, ensure the power cable is securely connected, and then turn the printer back on.
Is power being supplied to the outlet?	Turn off the printer, unplug it, and try the outlet with another appliance to determine if electricity is being supplied from that outlet.
Is the printer voltage correct?	Check the bottom panel of your printer to ensure that the outlet voltage corresponds to the voltage required by the printer. If they do not match, DO NOT try to operate the printer. Contact your supplier.

## Printing

If your printer does not print, or suddenly stops printing, check the following:

Check	Possible remedy
Is the interface cable connected securely?	Check both ends of the cable - printer and computer to make sure that the connector is firmly in position.
Is the ON LINE indicator illuminated?	If it is not, press the <input type="checkbox"/> ON LINE <input type="checkbox"/> button to set the printer on-line.
Is the "PAPER OUT" message flashing?	If it is, the paper has run out. Load more paper.
Is the printer beeping intermittently?	The release lever is moved while the paper is in printing position. Move the release lever to the original position.
Is the paper caught up internally?	Turn off the power, remove the jammed paper, replace, turn on the printer, and continue printing. Make sure that the loading edge of the paper is smooth and uncreased.
Is the ribbon caught up around the print head?	Turn off the power, remove the ribbon, retension it, and replace it. This problem occurs most frequently with a worn ribbon, so you may need to replace the ribbon.
Is the software you are using properly installed for your printer?	Check the installation settings in your software, and reinstall if necessary.
Can the printer perform self-test operations?	Turn the printer off, and turn it on again, holding down one of the buttons to perform a self-test. If these do not work, contact your dealer.

If the print is faint, or uneven, check the following:

Check	Possible remedy
Is the ribbon properly installed?	Check and reinstall if necessary.
Is the ribbon worn out?	The ribbon has a long life, but will eventually need replacing. Fit a new ribbon cartridge if necessary.

If dots are missing in the printing, check the following:

Check	Possible remedy
Are dots missing at random in the printing?	The ribbon has become slack, causing it to get caught up. Stop printing, remove the ribbon cartridge, retension and replace it.
Is a line of dots missing consistently throughout the printing?	The print head may be damaged. Stop printing, and contact your supplier.

If your application software cannot print the fonts or characters selected, check the following:



Check	Possible remedy
Is your application software properly installed?	Check the software installation, and re-install the software if necessary.
Are fonts not being selected properly?	Check the software installation, and insert the commands necessary for font changes into the software. If you have selected the optional font, you need to install the related Font cartridge to the printer.
Are characters other than those expected being printed?	Either you are using the wrong International Character Set (reset with EDS switches or software commands), or you have the wrong character set selected (for example if characters other than IBM block graphic characters are being printed). Correct this with EDS switches or the appropriate software sequences.

If the printout is not what is expected:



Check	Possible remedy
Is the printer installed correctly?	Your software may think that it is driving a different emulation to the one actually set. Check the EDS settings to make sure you have the right emulation.
Is the printer not printing anything that you are expecting?	Use the Hex Dump mode to analyze the output from the computer to the printer. This will enable you determine that the right escape sequence, etc are being transmitted.

## Paper feeding

If cut sheet paper (without ASF) is not feeding smoothly, check the following:


Check	Possible remedy
Is the paper release lever pushed front (to the  position)?	Set the release lever to the  position.
Is the paper guide in place and vertical?	The paper guide should be in place and vertically for cut sheets to feed smoothly.
Are the left and right guides too close together?	If the left and right guides are too close together, the paper will not feed smoothly. Move them a little further apart to allow the paper feed freely.
Is the ASF selected with the EDS setting?	If it is, then deselect it.
Are you trying to feed paper using the front panel buttons while the ON LINE indicator illuminated?	You can only feed paper in this way the printer is off-line. Set the printer off-line and then feed paper.
Is the paper too thick?	There are limits to the thickness of paper that can be fed in this way. Try with thinner paper.

If fanfold (continuous) paper is not being fed correctly using the tractor feed, check the following:



Check	Possible remedy
Is the paper release lever pushed to the  position?	Make sure the release lever is pushed to the  position.
Is the paper guide in the vertical position?	When using the tractor feed, the paper guide should be horizontal.
Are the holes on each side of the paper aligned with regard to each other in the tractor units?	If the two sides of the paper are out of alignment, realign them so that the tractor holes match up.
Are the tractor units too close or too far apart?	Misalignment of the tractor units, making the paper too close or too tight, will prevent a smooth paper feed.
Are the tractor units locked in position and the covers closed?	Correct this if necessary.
Is the paper feeding freely into the printer?	The paper should not be too far from the printer (less than 1 meter/3 feet), and there should be no cables or other obstacles obstructing its path. The paper should also be feeding straight into the printer, and an angled feed may cause jams and blockages.

Check	Possible remedy
Is the paper caught up around the perforation?	It is recommended to skip around the perforation. If you cannot, set on the Multi-part mode with the EDS switch.
Are you trying to feed paper using the front panel buttons while the ON LINE indicator illuminated?	You can only feed paper in this way the printer is off-line. Set the printer off-line and then feed paper.
Is the paper too thick?	There are limits to the thickness of paper that can be fed in this way. Try with thinner paper.

If the ASF is not operating or is not feeding paper correctly, check the following:

Check	Possible remedy
Has the correct ASF option been selected with the EDS switch?	Select correct option.
Is the release lever set to the  position?	The release lever should be set to the single-sheet position.
Is the ASF correctly mounted?	Make sure that the ASF is properly seated on the printer.
Is paper caught up near the print head?	Stop printing, remove the jammed sheet (you may have to remove the ASF for this), and continue.
Are the left and right guides too close together?	If the left and right guides are too close together, the paper will not feed smoothly. Move them a little further apart to allow the paper to feed freely.
Is there too much paper in the paper feed hopper or stacker?	The ASF's paper feed hopper and stacker can hold between 100 to 150 sheets each. Make sure that there is no more paper than this in either the hopper or stacker.
Was the paper fanned before being fed into the ASF?	If this is not done, paper jams may occur. Remove the stack of paper from the ASF and fan it before reinserting.
Has the paper been used already or is it creased?	Only new, uncreased paper should be used with the ASF.
Are you trying to feed paper using the front panel buttons while the ON LINE indicator illuminated?	You can only feed paper in this way the printer is off-line. Set the printer off-line and then feed paper.
Is the paper too thick or too thin?	There are limits to the thickness of paper that can be fed in this way. Try with different paper.

If the paper park facility does not appear to be working correctly, check the following:

Check	Possible remedy
Is the paper release lever in the  position?	The paper release lever must be set to the  position after the fanfold paper has been parked.
Has the fanfold paper been properly parked?	Make sure that the "PAPER OUT" message comes on flashing after the fanfold paper has been parked.

If text is being printed all on one line, or with extra blank lines, check the following:

Check	Possible remedy
Is the text all on the same line?	Carriage returns are not being expanded to <CR> + <LF> pairs. Check the EDS setting and correct.
Is text being printed with extra blank lines?	Two line feeds are being printed. Either make sure your software print just a carriage return or (if this is not possible), set the AUTO LF to OFF with the EDS setting.

If the page length and margins are not what is expected, check the following:

Check	Possible remedy
Is the printing starting too high or too low on the page?	Use the Micro Feed facility to adjust the print position relative to the page.
Does the printer's page length not match the physical page length?	Use the EDS switches to set up the correct page length, or use software commands to do it.

## MAINTENANCE

Essentially, your printer is a robust piece of equipment, but should be treated with a modicum of care in order to avoid malfunctions. For example:

- Keep your printer in a “comfortable” environment. Roughly speaking, if you are comfortable, then the environment is suitable for your printer (see Chapter 2).
- Do not subject the printer to physical shocks or excessive vibration.
- Avoid over-dusty environments. Dust is the enemy of all precision mechanical devices.
- To clean the exterior of the printer, use a cloth barely dampened with either water with a little detergent or a little alcohol, but do not allow any liquid to fall inside the printer.
- The interior of the printer may be cleaned with a small vacuum cleaner or a compressed-air aerosol (sold for this purpose). When performing this operation, be sure not to bend or damage any cable connections or electronic components.

## REPLACING THE PRINT HEAD

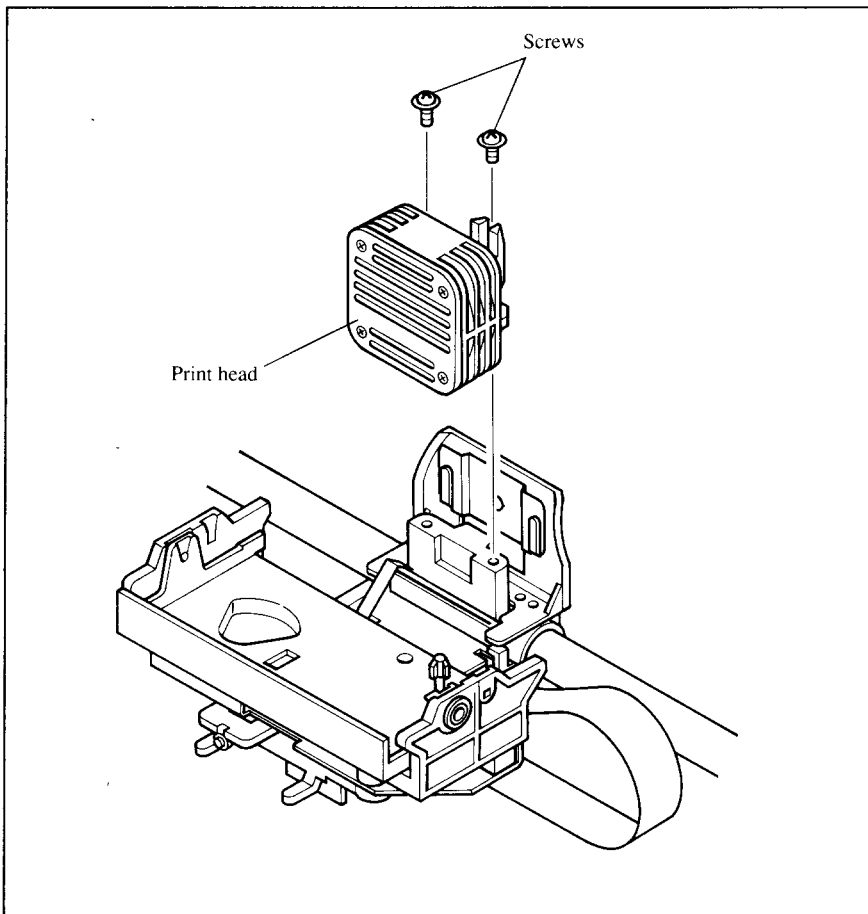
This is not a job which you will need to do very often. The print head has been designed to last for about 200 million dots. In normal everyday use, this will translate to years of life. However, if the print quality is faint, even after you have changed the ribbon or you have adjusted the gap between the print head and the platen (see Chapter 4), the print head may need replacement.

Only use a replacement print head as recommended by your supplier.

1. Turn OFF the printer, and unplug the power cord.
2. Open the front cover, and remove the ribbon cartridge.
3. If the printer has been in operation immediately before this operation, the print head will be hot. Allow time for the print head to cool before attempting to work on it.
4. Unscrew the two screws that hold the print head in place and set them aside.
5. Disengage the connector, then remove the print head.
6. Place the new print head on its support, seating it on the two pins.



7. Fasten the print head down with the two screws.
8. Replace the ribbon cartridge and close the front cover, then plug the power cord back in.



**Figure 10-1.** Replacing the print head.

---

# Chapter 11

## REFERENCE

---

### SPECIFICATIONS

Printing system .....	Serial Impact Dot-matrix		
Printing speed .....	Pica	Elite	Semi-condensed
High-Speed Draft	332 cps	—	—
Draft	250 cps	300 cps	375 cps
Letter Quality	83.3 cps	100 cps	125 cps
Print direction .....	Bi-directional, logic-seeking Uni-directional, logic-seeking (selectable)		
Print head .....	24 pins Life: 200 million dots		
Line spacing .....	1/6, 1/8, n/60, n/72, n/180, n/216, n/360 inches		
Font styles			
Standard .....	Draft, High-Speed Draft, Roman, Sanserif, Courier, Prestige, Script, Ora- tor, H-Gothic, SLQ Roman, SLQ TW- Light		
Option [FC-1Z Cartridge] .....	Orator 2, Letter Gothic, Blippo, Cinema		
[FC-2Z Cartridge] .....	OCR-B, OCR-A, CODE 39, UPC/EAN		
[FC-3Z Cartridge] .....	TW-Light, Orane		
[FC-4Z Cartridge] .....	Russian		
[FC-5Z Cartridge] .....	Old Style, Firenze		
[FC-10Z Cartridge] .....	SLQ Script		

Characters .....	ASCII	96
	International	16 sets (*)
	IBM special	111
	IBM block graphic	50
	IBM code page	6 sets (**)
	Download	255

\* USA, France, Germany, England, Denmark I, Sweden, Italy, Spain I, Japan, Norway, Denmark II, Spain II, Latin America, Korea, Irish, Legal

\*\* #437 (USA), #850 (Multi-Lingual), #860 (Portuguese), #861 (Icelandic), #863 (Canadian French), #865 (Nordic)

Number of columns .....	CPI	Normal type	Wide type
Pica	10	80	136
Elite	12	96	163
Semi-condensed	15	120	204
Condensed pica	17.1	137	233
Condensed elite	20	160	272
Proportional		Variable	Variable

Character matrix .....	Draft	LQ	SLQ
Pica	24 × 9	24 × 31	48 × 31
Elite	24 × 9	24 × 27	48 × 27
Semi-condensed	16 × 7	16 × 19	32 × 19
Condensed pica	24 × 9	24 × 16	48 × 16
Condensed elite	24 × 9	24 × 16	48 × 16
Super/subscript	16 × 7	16 × 19	32 × 19
Proportional	—	24 × n	48 × n
Super/subscript proportional	—	24 × n	48 × n

Bit image dot-matrix .....	DPI	Normal type	Wide type
8-pin normal	60	8 × 480	8 × 816
8-pin double	120	8 × 960	8 × 1632
8-pin high-speed double *	120	8 × 960	8 × 1632
8-pin quadruple *	240	8 × 1920	8 × 3264
8-pin CRT I	80	8 × 640	8 × 1088
8-pin CRT II	90	8 × 720	8 × 1224
24-pin normal	60	24 × 480	24 × 816
24-pin double	120	24 × 960	24 × 1632

24-pin CRT III	90	24 × 720	24 × 1224
24-pin Triple	180	24 × 1440	24 × 2448
24-pin Hex *	360	24 × 2880	24 × 4896

\* It is impossible to print adjacent dots in the mode marked with an asterisk (\*).

Paper feed ..... Friction or push tractor (standard)  
Bottom feed or Push/Pull feed (option)

Paper feed speed ..... 3.7 inches/second max

Paper specifications .....	Normal type	Wide type
Cut sheet		
Width	4" - 11.7" (101 - 297 mm)	4" - 16.5" (101 - 419 mm)
Length	7.17" - 14.3" (182 - 364 mm)	7.17" - 14.3" (182 - 364 mm)
Thickness	0.07 - 0.12 mm	0.07 - 0.12 mm
Weight	52 - 90 g/m <sup>2</sup> 45 - 77 kg 14 - 24 lb	52 - 90 g/m <sup>2</sup> 45 - 77 kg 14 - 24 lb
Fanfold (continuous)		
Width	4" - 10" (101 - 254 mm)	4" - 16" (101 - 406 mm)
Length	5.5" (Minimum) (140 mm)	5.5" (Minimum) (140 mm)
Thickness	0.07 - 0.12 mm	0.07 - 0.12 mm
Weight	52 - 82 g/m <sup>2</sup> 45 - 70 kg 14 - 22 lb	52 - 82 g/m <sup>2</sup> 45 - 70 kg 14 - 22 lb

Copies ..... Original + 2 copies (Multi-part mode off)  
Original + 4 copies (Multi-part mode on)

Maximum buffer size .....	Without Download	
		29 kB (Normal type)
		76 kB (Wide type)
	With Download	
		200 Bytes (Normal type)
		46 kB (Wide type)
<b>Emulations</b>		
Standard mode .....	Epson LQ-860/LQ-1060, NEC 24-wire Graphics commands	
IBM mode .....	IBM Proprinter X24E/XL24E	
<b>Interface</b> .....		
	Centronics parallel (standard)	
	RS-232C/422 serial (option)	
<b>Ribbon type</b> .....		
	On-carriage, dedicated	
	Film ribbon (Black only)	
	Monochrome (Black only)	
	Color (Black, magenta, cyan, violet, yellow, orange, green)	
<b>Ribbon life</b>		
Film ribbon (FZ24) .....	0.2 million characters (LQ pica)	
Monochrome (LZ24) .....	4 million characters (draft pica)	
Color (X24CL) .....	1 million characters (draft pica)	
<b>Dimensions and Weight</b> .....		
	Normal type	Wide type
Width	466 mm (18.3")	608 mm (23.9")
Depth	400 mm (15.7")	400 mm (15.7")
Height	157 mm (6.2")	157 mm (6.2")
Weight	9.9 kg (21.8 lb)	12.3 kg (27.1 lb)
<b>Power supply</b> .....		
	120VAC, 220VAC, 240VAC, 50/60 Hz (varies according to the country of purchase)	

Options ..... Film ribbon cartridge (FZ24)  
Color ribbon cartridge (X24CL)  
Single-bin Automatic Sheet Feeder (SF-10DMII/15DMII)  
Dual-bin Automatic Sheet Feeder (SF-10RMII/15RMII)  
Pull Tractor Unit (PT-10XM/15XM)  
Font cartridge (FC-1Z, FC-2Z, FC-3Z, FC-4Z, FC-5Z, FC-10Z)  
RAM cartridge (RC-32Z, DC-32Z)  
Serial Interface Cartridge (IS-8XL)  
Buffered Parallel Interface cartridge (IP-128XL)

# PINOUT OF INTERFACE CONNECTOR

The following describes the pinout of the interface connector (signals which are low when active are overlined).

## *Parallel interface*

Pin	Name	Function
1	<u>STROBE</u>	Goes from high to low (for $\geq 0.5 \mu\text{s}$ ) when active
2	DATA0	High when active
3	DATA1	High when active
4	DATA2	High when active
5	DATA3	High when active
6	DATA4	High when active
7	DATA5	High when active
8	DATA6	High when active
9	DATA7	High when active
10	<u>ACK</u>	5 $\mu\text{s}$ low pulse acknowledges receipt of data
11	BUSY	Low when printer ready to receive data
12	PAPER	High when paper out. Can be disabled with EDS setting
13	SELECT	High when printer is on-line
14, 15	N/C	
16	SIGNAL GND	Signal ground
17	CHASSIS	Chassis ground (isolated from signal ground)
18	+5V	+5V DC output from printer
19 ~ 30	GND	Twisted pair ground return
31	<u>RESET</u>	When this input signal is low, printer is reset
32	<u>ERROR</u>	Outputs low when printer cannot continue, due to an error
33	EXT GND	External ground
34, 35	N/C	
36	<u>SELECT IN</u>	Always high

## Serial Interface

Pin	Name	Function
1	GND	Printer's chassis ground.
2	TXD	This pin carries data from the printer.
3	RXD	This pin carries data to the printer.
4	RTS	This pin is always set space.
5	CTS	This pin is Space when the computer is ready to send data. This printer does not check this pin.
6	N/C	
7	GND	Signal ground.
8 ~ 10	N/C	
11	RCH	This printer turn this pin Space when it is ready to receive data. This line carries the same signal as pin 20.
12	N/C	
13	GND	Signal ground.
14 ~ 19	N/C	
20	DTR	This printer turns this pin Space when it is ready to receive data.
21 ~ 25	N/C	



# CHARACTER SETS

The following tables show the standard and IBM character sets.

The decimal character code of each character is shown in an inset to the lower right of the character.

The hexadecimal code can be found by reading the entires at the top and left edges of the table. For example, the character "A" is in column 4 and row 1, so its hexadecimal character code is 41. This is equivalent ( $4 \times 16 + 1 = 65$ ) to decimal 65, the number in the inset.

Control codes recognized by this printer are indicated by abbreviations inside pointed brackets <>.

	0	1	2	3	4	5	6	7
0	<NUL> 0 0			0 48	@ 64	P 80	,	p 112
1		<DC1> 1 17	! 33	1 49	A 65	Q 81	a 97	q 113
2		<DC2> 2 18	" 34	2 50	B 66	R 82	b 98	r 114
3		<DC3> 3 19	# 35	3 51	C 67	S 83	c 99	s 115
		<DC4> 4 20	\$ 36	4 52	D 68	T 84	d 100	t 116

## Standard character set #2

	0	1	2	3	4	5	6	7	
0	<NUL> 0	16	32	48	@	P	·	p	
1	<DC1> 1	17	33	49	A	Q	a	q	
2	<DC2> 2	18	34	50	B	R	b	r	
3	<DC3> 3	19	35	51	C	S	c	s	
4	<DC4> 4	20	36	52	D	T	d	t	
5	5	21	37	53	E	U	e	u	
6	<SYN> 6	22	38	54	F	V	f	v	
7	<BEL> 7	23	39	55	G	W	g	w	
8	<BS> 8	<CAN> 24	(	40	56	H	X	h	x
9	<HT> 9	<EM> 25	)	41	57	I	Y	i	y
A	<LF> 10	26	*	42	58	J	Z	j	z
B	<VT> 11	<ESC> 27	+	43	59	K	[	k	{
C	<FF> 12	<FS> 28	,	44	60	L	\	l	
D	<CR> 13	29	-	45	61	M	]	m	}
E	<SO> 14	30	.	46	62	N	^	n	~
F	<SI> 15	31	/	47	63	O	_	o	<DEL>
									112
									113
									114
									115
									116
									117
									118
									119
									120
									121
									122
									123
									124
									125
									126
									127

	8	9	A	B	C	D	E	F
0	à 128	š 144		0 176	@ 192	P 208	· 224	p 240
1	è 129	ß 145	!	1 177	A 193	Q 209	a 225	q 241
2	ù 130	Æ 146	"	2 178	B 194	R 210	b 226	r 242
3	ò 131	æ 147	#	3 179	C 195	S 211	c 227	s 243
4	ì 132	Ø 148	\$	4 180	D 196	T 212	d 228	t 244
5	° 133	ø 149	%	5 181	E 197	U 213	e 229	u 245
6	£ 134	°° 150	&	6 182	F 198	V 214	f 230	v 246
7	ï 135	Ä 151	'	7 183	G 199	W 215	g 231	w 247
8	í 136	Ö 152	(	8 184	H 200	X 216	h 232	x 248
9	ñ 137	Ù 153	)	9 185	I 201	Y 217	i 233	y 249
A	ñ 138	ä 154	*	: 186	J 202	Z 218	j 234	z 250
B	α 139	ö 155	+	; 187	K 203	l 219	k 235	l 251
C	Ř 140	ü 156	,	< 188	L 204	\ 220	l 236	l 252
D	À 141	É 157	-	= 189	M 205	l 221	m 237	l 253
E	á 142	é 158	.	> 190	N 206	^ 222	n 238	~ 254
F	ç 143	¥ 159	/	? 191	O 207	- 223	o 239	

## International character sets

When an international character set is selected by a command from software, the following changes are made in the Standard Italic character set:

Country	35	36	64	88	90	91	92	93	94	96	123	124	125	126
U.S.A.	#	\$	@	X	Z	[	\	]	^	`	{		}	~
FRANCE	#	\$	à	X	Z	°	ç	§	^	`	é	ù	è	¨
GERMANY	#	\$	§	X	Z	À	Ö	Ü	^	`	ä	ö	ü	ß
ENGLAND	£	\$	@	X	Z	[	\	]	^	`	{		}	~
DENMARK 1	#	\$	@	X	Z	Æ	Ø	Å	^	`	æ	ø	å	~
SWEDEN	#	α	É	X	Z	À	Ö	Å	Ü	é	ä	ö	å	ü
ITALY	#	\$	@	X	Z	°	\	é	^	ù	à	ò	è	ì
SPAIN 1	₧	\$	@	X	Z	;	Ñ	¿	^	`	¨	ñ	}	~
JAPAN	#	\$	@	X	Z	[	¥	]	^	`	{		}	~
NORWAY	#	α	É	X	Z	Æ	Ø	Å	Ü	é	æ	ø	å	ü
DENMARK 2	#	\$	É	X	Z	Æ	Ø	Å	Ü	é	æ	ø	å	ü
SPAIN 2	#	\$	á	X	Z	;	Ñ	¿	é	í	ñ	ó	ú	
LATIN AMERICA	#	\$	á	X	Z	;	Ñ	¿	é	ü	í	ñ	ó	ú
KOREA	#	\$	@	X	Z	[	₩	]	^	`	{		}	~
IRISH	#	\$	@	Ú	˘	[	\	]	^	`	Á	É	Ó	~
LEGAL	#	\$	§	X	Z	°	'	"	¶	`	©	®	†	™

The command for selecting the international character set is:

<ESC> "R" *n*

Where *n* means character code *n*, i.e. CHR\$(*n*) in BASIC. The values of *n* are:

0 U.S.A.	6 Italy	12 Latin America
1 France	7 Spain I	13 Korea
2 Germany	8 Japan	14 Irish
3 England	9 Norway	64 Legal
4 Denmark I	10 Denmark II	
5 Sweden	11 Spain II	

# IBM character set #2

## Code Page #437 (U.S.A.)

	0	1	2	3	4	5	6	7
0	<NUL> 0	16	32	0	@	P	`	p
1	1	<DC1> 17	!	1	A	Q	a	q
2	2	<DC2> 18	"	2	B	R	b	r
3	♥	<DC3> 19	#	3	C	S	c	s
4	♦	<DC4> 20	\$	4	D	T	d	t
5	♣	S	%	5	E	U	e	u
6	♠	<SYN> 22	&	6	F	V	f	v
7	<BEL> 7	23	'	7	G	W	g	w
8	<BS> 8	<CAN> 24	(	8	H	X	h	x
9	<HT> 9	<EM> 25	)	9	I	Y	i	y
A	<LF> 10	26	*	:	J	Z	j	z
B	<VT> 11	<ESC> 27	+	;	K	[	k	{
C	<FF> 12	<FS> 28	,	<	L	\	l	;
D	<CR> 13	29	-	=	M	]	m	}
E	<SO> 14	30	.	>	N	^	n	~
F	<SI> 15	31	/	?	O	_	o	<DEL>

	8	9	A	B	C	D	E	F
0	Ç 128	É 144	á 160	⋄ 176	Ł 192	⋈ 208	α 224	≡ 240
1	ü 129	æ 145	í 161	⋄ 177	Ł 193	⋈ 209	β 225	± 241
2	é 130	Æ 146	ó 162	⋄ 178	Т 194	Π 210	Γ 226	≥ 242
3	â 131	ô 147	ú 163	 179	† 195	⋈ 211	π 227	≤ 243
4	ä 132	ö 148	ñ 164	† 180	- 196	⋈ 212	Σ 228	∫ 244
5	à 133	ò 149	Ñ 165	‡ 181	† 197	F 213	σ 229	J 245
6	â 134	û 150	ä 166	 182	‡ 198	π 214	μ 230	÷ 246
7	ç 135	ù 151	ó 167	π 183	 199	‡ 215	τ 231	≈ 247
8	ê 136	ÿ 152	¿ 168	ƒ 184	⋈ 200	≠ 216	Φ 232	° 248
9	ë 137	ÿ 153	ƒ 169	‡ 185	π 201	∩ 217	Θ 233	• 249
A	è 138	Û 154	ƒ 170	 186	⋈ 202	Γ 218	Ω 234	- 250
B	ï 139	ϕ 155	½ 171	π 187	π 203	■ 219	δ 235	√ 251
C	î 140	£ 156	¼ 172	⋈ 188	‡ 204	■ 220	∞ 236	∞ 252
D	ï 141	¥ 157	ı 173	⋈ 189	= 205	■ 221	∅ 237	² 253
E	Ä 142	ƒ 158	« 174	ƒ 190	‡ 206	■ 222	ε 238	■ 254
F	À 143	f 159	» 175	ƒ 191	± 207	■ 223	∩ 239	

# Code Page #850 (Multi-lingual)

Other characters are identical to Code Page #437.

	8	9	A	B	C	D	E	F
0	Ç 128	É 144	á 160	• 176	Ł 192	ð 208	Ó 224	- 240
1	ü 129	æ 145	í 161	• 177	Ł 193	Ð 209	β 225	± 241
2	é 130	Æ 146	ó 162	• 178	Т 194	È 210	Ò 226	= 242
3	â 131	ô 147	ú 163	 179	† 195	Ë 211	Ô 227	≈ 243
4	ä 132	ö 148	ñ 164	‡ 180	- 196	È 212	Ö 228	¶ 244
5	à 133	ò 149	Ñ 165	À 181	† 197	ı 213	Õ 229	§ 245
6	á 134	û 150	ã 166	Á 182	ã 198	ı 214	μ 230	÷ 246
7	ç 135	ù 151	º 167	À 183	Ä 199	ı 215	þ 231	• 247
8	ê 136	ÿ 152	¿ 168	© 184	Ł 200	ı 216	þ 232	° 248
9	ë 137	ÿ 153	® 169	‡ 185	ŕ 201	ı 217	Û 233	• 249
A	è 138	Û 154	¬ 170	 186	Ł 202	ı 218	Û 234	- 250
B	ï 139	ø 155	½ 171	¶ 187	¶ 203	■ 219	Û 235	<sup>1</sup> 251
C	î 140	£ 156	¾ 172	¶ 188	¶ 204	■ 220	ÿ 236	<sup>3</sup> 252
D	ì 141	Ø 157	ı 173	¢ 189	= 205	ı 221	ÿ 237	<sup>2</sup> 253
E	Ä 142	× 158	« 174	¥ 190	¶ 206	ı 222	- 238	■ 254
F	Å 143	f 159	» 175	γ 191	α 207	■ 223	' 239	255

## Code Page #860 (Portuguese)

Other characters are identical to Code Page #437.

	8	9	A	B	C	D	E	F
0	Ç 128	É 144	á 160	• 176	Ł 192	Ɑ 208	α 224	≡ 240
1	ü 129	À 145	í 161	• 177	⊥ 193	Ɱ 209	β 225	± 241
2	é 130	È 146	ó 162	• 178	⊤ 194	Ɐ 210	Γ 226	≥ 242
3	â 131	ô 147	ú 163	 179	† 195	Ɒ 211	π 227	≤ 243
4	ã 132	õ 148	ñ 164	† 180	— 196	ⱱ 212	Σ 228	∫ 244
5	à 133	ò 149	ñ 165	‡ 181	† 197	Ⱳ 213	σ 229	∫ 245
6	Á 134	Û 150	ã 166	‡ 182	‡ 198	ⱳ 214	μ 230	÷ 246
7	ç 135	ù 151	o 167	π 183	‡ 199	‡ 215	τ 231	≈ 247
8	ê 136	Ï 152	ç 168	‡ 184	ⱴ 200	‡ 216	Φ 232	° 248
9	Ë 137	Ö 153	o 169	‡ 185	Ⱶ 201	ⱶ 217	Θ 233	▪ 249
A	è 138	Ù 154	ç 170	‡ 186	ⱷ 202	ⱷ 218	Ω 234	- 250
B	í 139	Φ 155	½ 171	ⱸ 187	ⱸ 203	■ 219	δ 235	√ 251
C	ô 140	£ 156	¾ 172	ⱹ 188	‡ 204	■ 220	∞ 236	n 252
D	ì 141	Û 157	í 173	ⱺ 189	= 205	■ 221	∅ 237	² 253
E	Ã 142	ⱺ 158	« 174	ⱻ 190	‡ 206	■ 222	ε 238	▪ 254
F	À 143	Ó 159	» 175	ⱼ 191	ⱼ 207	■ 223	∩ 239	255



# Code Page #861 (Icelandic)

Other characters are identical to Code Page #437.

	8	9	A	B	C	D	E	F
0	Ç 128	É 144	á 160	• 176	Ł 192	⋈ 208	α 224	≡ 240
1	ü 129	æ 145	í 161	• 177	Ł 193	⋈ 209	β 225	± 241
2	é 130	Æ 146	ó 162	• 178	Т 194	Π 210	Γ 226	≥ 242
3	â 131	ø 147	ú 163	 179	† 195	⋈ 211	π 227	≤ 243
4	ä 132	ö 148	Á 164	† 180	— 196	Ł 212	Σ 228	ƒ 244
5	à 133	þ 149	í 165	‡ 181	† 197	F 213	σ 229	∫ 245
6	â 134	û 150	Ó 166	‡ 182	‡ 198	π 214	μ 230	÷ 246
7	ç 135	ÿ 151	Û 167	π 183	‡ 199	‡ 215	τ 231	≈ 247
8	ê 136	ý 152	ı 168	‡ 184	Ł 200	‡ 216	Φ 232	° 248
9	ë 137	ÿ 153	ı 169	‡ 185	Ł 201	∫ 217	Θ 233	• 249
A	è 138	Û 154	ı 170	‡ 186	⋈ 202	Γ 218	Ω 234	• 250
B	Ð 139	ø 155	½ 171	‡ 187	‡ 203	■ 219	δ 235	√ 251
C	ð 140	£ 156	¾ 172	‡ 188	‡ 204	■ 220	∞ 236	∞ 252
D	Þ 141	Ø 157	ı 173	⋈ 189	= 205	■ 221	ø 237	² 253
E	Ä 142	Ř 158	« 174	‡ 190	‡ 206	■ 222	ε 238	■ 254
F	À 143	f 159	» 175	‡ 191	⋈ 207	■ 223	∩ 239	■ 255

# Code Page #863 (Canadian French)

Other characters are identical to Code Page #437.

	8	9	A	B	C	D	E	F
0	Ç 128	É 144	Ì 160	Ñ 176	Ł 192	⊥ 208	α 224	≡ 240
1	Û 129	È 145	Í 161	Ò 177	± 193	⌊ 209	β 225	± 241
2	É 130	Ê 146	Ó 162	Ó 178	⌈ 194	⌋ 210	Γ 226	≥ 242
3	Â 131	Ô 147	Û 163	Ô 179	⌋ 195	⊥ 211	π 227	≤ 243
4	À 132	Ë 148	Ï 164	Û 180	− 196	⌈ 212	Σ 228	∫ 244
5	À 133	Ï 149	Ï 165	≠ 181	÷ 197	ƒ 213	σ 229	∫ 245
6	¶ 134	Û 150	³ 166	¶ 182	ƒ 198	π 214	μ 230	÷ 246
7	Ç 135	Û 151	− 167	π 183	⌈ 199	⌈ 215	τ 231	≈ 247
8	È 136	α 152	ı 168	ƒ 184	⊥ 200	≠ 216	Φ 232	° 248
9	Ë 137	Ô 153	ƒ 169	¶ 185	ƒ 201	∩ 217	θ 233	▪ 249
A	È 138	Û 154	ƒ 170	∥ 186	⊥ 202	ƒ 218	Ω 234	− 250
B	İ 139	ϕ 155	½ 171	¶ 187	¶ 203	■ 219	δ 235	√ 251
C	Î 140	£ 156	¼ 172	∩ 188	⌈ 204	■ 220	∞ 236	n 252
D	= 141	Û 157	¾ 173	⊥ 189	= 205	■ 221	∅ 237	² 253
E	À 142	Û 158	« 174	∩ 190	⌈ 206	■ 222	ε 238	▪ 254
F	§ 143	f 159	» 175	ƒ 191	⊥ 207	■ 223	∩ 239	

# Code Page #865 (Nordic)

Other characters are identical to Code Page #437.

	8	9	A	B	C	D	E	F
0	Ç 128	É 144	á 160		Ł 192	Ɑ 208	α 224	≡ 240
1	ü 129	æ 145	í 161		ł 193	Ɱ 209	β 225	± 241
2	é 130	Æ 146	ó 162		Ṭ 194	Ɐ 210	Γ 226	≥ 242
3	â 131	ø 147	ú 163		ṭ 195	Ɒ 211	π 227	≤ 243
4	ä 132	ö 148	ñ 164	†	— 196	ⱱ 212	Σ 228	ƒ 244
5	à 133	ò 149	Ñ 165	‡	† 197	ƒ 213	σ 229	Ƶ 245
6	á 134	û 150	ª 166	‡	ƒ 198	Ⱳ 214	μ 230	÷ 246
7	ç 135	ù 151	º 167	π	† 199	‡ 215	τ 231	≈ 247
8	ê 136	ÿ 152	¿ 168	ƚ	Ł 200	‡ 216	Φ 232	° 248
9	ë 137	ö 153	ƒ 169	‡	Ṛ 201	Ƶ 217	Θ 233	• 249
A	è 138	ı 154	ƒ 170	‡	Ł 202	ƒ 218	Ω 234	- 250
B	ï 139	ø 155	½ 171	ƚ	Ṛ 203	■ 219	δ 235	√ 251
C	î 140	£ 156	¼ 172	ƚ	‡ 204	■ 220	∞ 236	∞ 252
D	ì 141	Ø 157	ı 173	Ɑ	= 205	■ 221	∅ 237	² 253
E	Å 142	Ř 158	« 174	ƚ	‡ 206	■ 222	€ 238	• 254
F	Ä 143	ƒ 159	α 175	ƚ	± 207	■ 223	∩ 239	

## Character set #1

Other characters are identical to character set #2.

The duplication of control codes enables systems with a 7-bit interface to obtain control functions when the most significant bit is set to 1 by the <ESC> ">" command in the standard mode.

	0	1
0	<NUL> 0	16
1	1	<DC1> 17
2	2	<DC2> 18
3	3	<DC3> 19
4	4	<DC4> 20
5	5	21
6	6	<SYN> 22
7	<BEL> 7	23
8	<BS> 8	<CAN> 24
9	<HT> 9	<EM> 25
A	<LF> 10	26
B	<VT> 11	<ESC> 27
C	<FF> 12	<FS> 28
D	<CR> 13	29
E	<SO> 14	30
F	<SI> 15	31

	8	9
0	<NUL> 128	144
1	129	<DC1> 145
2	130	<DC2> 146
3	131	<DC3> 147
4	132	<DC4> 148
5	133	149
6	134	<SYN> 150
7	<BEL> 135	151
8	<BS> 136	<CAN> 152
9	<HT> 137	<EM> 153
A	<LF> 138	154
B	<VT> 139	<ESC> 155
C	<FF> 140	<FS> 156
D	<CR> 141	157
E	<SO> 142	158
F	<SI> 143	159

# IBM special character set

Additional characters can be printed by special commands.

	0	1
0	∅ 0	▶ 16
1	☺ 1	◀ 17
2	☹ 2	↑ 18
3	♥ 3	!! 19
4	♦ 4	¶ 20
5	♣ 5	§ 21
6	♠ 6	- 22
7	• 7	↓ 23
8	◼ 8	↑ 24
9	◊ 9	↓ 25
A	◻ 10	→ 26
B	♂ 11	← 27
C	♀ 12	└ 28
D	♫ 13	↔ 29
E	♪ 14	▲ 30
F	⊛ 15	▼ 31

# PROPORTIONAL SPACING TABLE

This table lists the widths of your printer's proportional characters, for Standard mode and IBM mode.

The values given are in 360ths of an inch. For example, a value of 36 is 36/360ths of an inch. You may need to enter these widths into a special table for your processing program so it can calculate the number of proportional characters that will fit on a line.

The following width table shows each character, its ASCII code (decimal) for each character set, and its width for Standard normal mode, Standard super/subscript mode, and IBM mode.

Character code							Chr.	Proportional width		
Std.	#437	#850	#860	#861	#863	#865		Normal	Super/Sub	IBM
-	0	0	0	0	0	0	0	30	20	30
-	1	1	1	1	1	1	☺	30	20	30
-	2	2	2	2	2	2	☹	30	20	30
-	3	3	3	3	3	3	♥	30	20	30
-	4	4	4	4	4	4	♦	30	20	30
-	5	5	5	5	5	5	♣	30	20	30
-	6	6	6	6	6	6	♠	30	20	30
-	7	7	7	7	7	7	•	30	20	30
-	8	8	8	8	8	8	▣	30	20	30
-	9	9	9	9	9	9	◦	30	20	30
-	10	10	10	10	10	10	◻	30	20	30
-	11	11	11	11	11	11	♂	30	20	30
-	12	12	12	12	12	12	♀	30	20	30
-	13	13	13	13	13	13	♪	30	20	30
-	14	14	14	14	14	14	♫	30	20	30
-	15	15	15	15	15	15	※	30	20	30
-	16	16	16	16	16	16	▶	30	20	30
-	17	17	17	17	17	17	◀	30	20	30
-	18	18	18	18	18	18	↑	30	20	30
-	19	19	19	19	19	19	!!	30	20	30

Character code							Chr.	Proportional width		
Std.	#437	#850	#860	#861	#863	#865		Normal	Super/Sub	IBM
INT	20	20	20	20	20	20	¶	30	20	30
INT	21	21	21	21	21	21	§	30	20	30
-	22	22	22	22	22	22	-	30	20	30
-	23	23	23	23	23	23	‡	30	20	30
-	24	24	24	24	24	24	↑	30	20	30
-	25	25	25	25	25	25	↓	30	20	30
-	26	26	26	26	26	26	→	30	20	30
-	27	27	27	27	27	27	←	30	20	30
-	28	28	28	28	28	28	⊥	30	20	30
-	29	29	29	29	29	29	↔	30	20	30
-	30	30	30	30	30	30	▲	30	20	30
-	31	31	31	31	31	31	▼	30	20	30
32	32	32	32	32	32	32		30	20	30
33	33	33	33	33	33	33	!	18	12	30
34	34	34	34	34	34	34	"	30	20	30
35	35	35	35	35	35	35	#	30	20	30
36	36	36	36	36	36	36	\$	30	20	30
37	37	37	37	37	37	37	%	36	24	30
38	38	38	38	38	38	38	&	36	24	36
39	39	39	39	39	39	39	'	18	12	18
40	40	40	40	40	40	40	(	24	16	30
41	41	41	41	41	41	41	)	24	16	30
42	42	42	42	42	42	42	*	30	20	30
43	43	43	43	43	43	43	+	30	20	30
44	44	44	44	44	44	44	,	18	12	30
45	45	45	45	45	45	45	-	30	20	30
46	46	46	46	46	46	46	.	18	12	30
47	47	47	47	47	47	47	/	30	20	30
48	48	48	48	48	48	48	0	30	20	30
49	49	49	49	49	49	49	1	30	20	30

Character code							Chr.	Proportional width		
Std.	#437	#850	#860	#861	#863	#865		Normal	Super/Sub	IBM
50	50	50	50	50	50	50	2	30	20	30
51	51	51	51	51	51	51	3	30	20	30
52	52	52	52	52	52	52	4	30	20	30
53	53	53	53	53	53	53	5	30	20	30
54	54	54	54	54	54	54	6	30	20	30
55	55	55	55	55	55	55	7	30	20	30
56	56	56	56	56	56	56	8	30	20	30
57	57	57	57	57	57	57	9	30	20	30
58	58	58	58	58	58	58	:	18	12	30
59	59	59	59	59	59	59	;	18	12	30
60	60	60	60	60	60	60	<	30	20	30
61	61	61	61	61	61	61	=	30	20	30
62	62	62	62	62	62	62	>	30	20	30
63	63	63	63	63	63	63	?	30	20	30
64	64	64	64	64	64	64	@	36	24	30
65	65	65	65	65	65	65	A	36	24	42
66	66	66	66	66	66	66	B	36	24	42
67	67	67	67	67	67	67	C	36	24	42
68	68	68	68	68	68	68	D	36	24	42
69	69	69	69	69	69	69	E	36	24	36
70	70	70	70	70	70	70	F	36	24	36
71	71	71	71	71	71	71	G	36	24	42
72	72	72	72	72	72	72	H	36	24	42
73	73	73	73	73	73	73	I	24	16	24
74	74	74	74	74	74	74	J	30	20	30
75	75	75	75	75	75	75	K	36	24	42
76	76	76	76	76	76	76	L	36	24	36
77	77	77	77	77	77	77	M	42	28	42
78	78	78	78	78	78	78	N	36	24	42
79	79	79	79	79	79	79	O	36	24	42



Character code							Chr.	Proportional width		
Std.	#437	#850	#860	#861	#863	#865		Normal	Super/Sub	IBM
80	80	80	80	80	80	80	P	36	24	36
81	81	81	81	81	81	81	Q	36	24	42
82	82	82	82	82	82	82	R	36	24	42
83	83	83	83	83	83	83	S	36	24	36
84	84	84	84	84	84	84	T	36	24	42
85	85	85	85	85	85	85	U	42	28	42
86	86	86	86	86	86	86	V	36	24	42
87	87	87	87	87	87	87	W	42	28	42
88	88	88	88	88	88	88	X	36	24	42
89	89	89	89	89	89	89	Y	36	24	42
90	90	90	90	90	90	90	Z	30	20	36
91	91	91	91	91	91	91	[	24	16	30
92	92	92	92	92	92	92	\	30	20	30
93	93	93	93	93	93	93	]	24	16	30
94	94	94	94	94	94	94	^	30	20	30
95	95	95	95	95	95	95	_	30	20	30
96	96	96	96	96	96	96	`	18	12	30
97	97	97	97	97	97	97	a	30	20	30
98	98	98	98	98	98	98	b	36	24	36
99	99	99	99	99	99	99	c	30	20	30
100	100	100	100	100	100	100	d	36	24	36
101	101	101	101	101	101	101	e	30	20	30
102	102	102	102	102	102	102	f	24	16	24
103	103	103	103	103	103	103	g	36	24	36
104	104	104	104	104	104	104	h	36	24	36
105	105	105	105	105	105	105	i	18	12	18
106	106	106	106	106	106	106	j	24	16	18
107	107	107	107	107	107	107	k	36	24	36
108	108	108	108	108	108	108	l	18	12	18
109	109	109	109	109	109	109	m	42	28	42

Character code							Chr.	Proportional width		
Std.	#437	#850	#860	#861	#863	#865		Normal	Super/Sub	IBM
110	110	110	110	110	110	110	n	36	24	36
111	111	111	111	111	111	111	o	30	20	30
112	112	112	112	112	112	112	p	36	24	36
113	113	113	113	113	113	113	q	36	24	36
114	114	114	114	114	114	114	r	30	20	30
115	115	115	115	115	115	115	s	30	20	30
116	116	116	116	116	116	116	t	24	16	24
117	117	117	117	117	117	117	u	36	24	36
118	118	118	118	118	118	118	v	36	24	36
119	119	119	119	119	119	119	w	42	28	42
120	120	120	120	120	120	120	x	30	20	36
121	121	121	121	121	121	121	y	36	24	36
122	122	122	122	122	122	122	z	30	20	30
123	123	123	123	123	123	123	{	24	16	30
124	124	124	124	124	124	124		18	12	30
125	125	125	125	125	125	125	}	24	16	30
126	126	126	126	126	126	126	~	30	20	30
-	127	127	127	127	127	127	◊	30	20	30
128	128	128	128	128	128	128	Ç	36	24	42
129	129	129	129	129	129	129	ü	36	24	36
130	130	130	130	130	130	130	é	30	20	30
131	131	131	131	131	131	131	â	30	20	30
132	132	132	-	132	-	132	ä	30	20	30
133	133	133	133	133	133	133	à	30	20	30
134	134	134	-	134	-	134	á	30	20	30
135	135	135	135	135	135	135	ç	30	20	30
136	136	136	136	136	136	136	ê	30	20	30
137	137	137	-	137	137	137	ë	30	20	30
138	138	138	138	138	138	138	è	30	20	30
139	139	139	-	-	139	139	ï	18	12	18

Character code							Chr.	Proportional width		
Std.	#437	#850	#860	#861	#863	#865		Normal	Super/Sub	IBM
140	140	140	-	-	140	140	î	18	12	18
141	141	141	141	-	-	141	ï	18	12	18
142	142	142	-	142	-	142	Ë	36	24	42
143	143	143	-	143	-	143	Ä	36	24	42
144	144	144	144	144	144	144	É	36	24	36
145	145	145	-	145	-	145	æ	42	28	42
146	146	146	-	146	-	146	Æ	42	28	42
147	147	147	147	147	147	147	ô	30	20	30
148	148	148	-	148	-	148	ö	30	20	30
149	149	149	149	-	-	149	ò	30	20	30
150	150	150	-	150	150	150	û	36	24	36
151	151	151	151	-	151	151	ù	36	24	36
152	152	152	-	-	-	152	ÿ	36	24	36
153	153	153	-	153	-	153	ÿ	36	24	42
154	154	154	154	154	154	154	Û	42	28	42
155	155	189	155	-	155	-	ç	30	20	30
156	156	156	156	156	156	156	£	30	20	30
157	157	190	-	-	-	-	¥	36	24	30
158	158	-	158	158	-	158	ŕ	42	28	42
159	159	159	-	159	159	159	f	30	20	30
160	160	160	160	160	-	160	á	30	20	30
161	161	161	161	161	-	161	í	18	12	18
162	162	162	162	162	162	162	ó	30	20	30
163	163	163	163	163	163	163	ú	36	24	36
164	164	164	164	-	-	164	ñ	36	24	36
165	165	165	165	-	-	165	Ñ	36	24	42
166	166	166	166	-	-	166	ä	30	20	30
167	167	167	167	-	-	167	ø	30	20	30
168	168	168	168	168	-	168	ç	30	20	30
169	169	-	-	169	169	169	ŕ	30	20	30

Character code							Chr.	Proportional width		
Std.	#437	#850	#860	#861	#863	#865		Normal	Super/Sub	IBM
170	170	170	170	170	170	170	¬	30	20	30
171	171	171	171	171	171	171	½	30	20	30
172	172	172	172	172	172	172	¼	30	20	30
173	173	173	173	173	-	173	;	30	20	30
174	174	174	174	174	174	174	«	30	20	42
175	175	175	175	175	175	-	»	30	20	42
176	176	176	176	176	176	176	•	30	30	30
177	177	177	177	177	177	177	◦	30	30	30
178	178	178	178	178	178	178	◐	30	30	30
179	179	179	179	179	179	179		30	30	30
180	180	180	180	180	180	180	†	30	30	30
181	181	-	181	181	181	181	‡	30	30	30
182	182	-	182	182	182	182	‡‡	30	30	30
183	183	-	183	183	183	183	π	30	30	30
184	184	-	184	184	184	184	ƒ	30	30	30
185	185	185	185	185	185	185	‡‡	30	30	30
186	186	186	186	186	186	186	‡‡	30	30	30
187	187	187	187	187	187	187	∩	30	30	30
188	188	188	188	188	188	188	∪	30	30	30
189	189	-	189	189	189	189	∪	30	30	30
190	190	-	190	190	190	190	∩	30	30	30
191	191	191	191	191	191	191	∩	30	30	30
192	192	192	192	192	192	192	∩	30	30	30
193	193	193	193	193	193	193	∩	30	30	30
194	194	194	194	194	194	194	∩	30	30	30
195	195	195	195	195	195	195	∩	30	30	30
196	196	196	196	196	196	196	-	30	30	30
197	197	197	197	197	197	197	+	30	30	30
198	198	-	198	198	198	198	+	30	30	30
199	199	-	199	199	199	199	‡‡	30	30	30

Character code							Chr.	Proportional width		
Std.	#437	#850	#860	#861	#863	#865		Normal	Super/Sub	IBM
200	200	200	200	200	200	200	Ⓔ	30	30	30
201	201	201	201	201	201	201	Ⓕ	30	30	30
202	202	202	202	202	202	202	Ⓖ	30	30	30
203	203	203	203	203	203	203	Ⓗ	30	30	30
204	204	204	204	204	204	204	Ⓙ	30	30	30
205	205	205	205	205	205	205	=	30	30	30
206	206	206	206	206	206	206	Ⓚ	30	30	30
207	207	-	207	207	207	207	Ⓛ	30	30	30
208	208	-	208	208	208	208	Ⓜ	30	30	30
209	209	-	209	209	209	209	Ⓝ	30	30	30
210	210	-	210	210	210	210	Ⓟ	30	30	30
211	211	-	211	211	211	211	Ⓡ	30	30	30
212	212	-	212	212	212	212	Ⓣ	30	30	30
213	213	-	213	213	213	213	Ⓧ	30	30	30
214	214	-	214	214	214	214	Ⓡ	30	30	30
215	215	-	215	215	215	215	Ⓢ	30	30	30
216	216	-	216	216	216	216	Ⓣ	30	30	30
217	217	217	217	217	217	217	Ⓝ	30	30	30
218	218	218	218	218	218	218	Ⓡ	30	30	30
219	219	219	219	219	219	219	■	30	30	30
220	220	220	220	220	220	220	■	30	30	30
221	221	-	221	221	221	221	■	30	30	30
222	222	-	222	222	222	222	■	30	30	30
223	223	223	223	223	223	223	■	30	30	30
224	224	-	224	224	224	224	α	30	30	30
225	225	225	225	225	225	225	β	30	30	36
226	226	-	226	226	226	226	Γ	30	30	36
227	227	-	227	227	227	227	π	30	30	36
228	228	-	228	228	228	228	Σ	30	30	42
229	229	-	229	229	229	229	σ	30	30	36

Character code							Chr.	Proportional width		
Std.	#437	#850	#860	#861	#863	#865		Normal	Super/Sub	IBM
230	230	230	230	230	230	230	μ	30	30	36
231	231	-	231	231	231	231	τ	30	30	30
232	232	-	232	232	232	232	Φ	30	30	42
233	233	-	233	233	233	233	θ	30	30	42
234	234	-	234	234	234	234	Ω	30	30	42
235	235	-	235	235	235	235	δ	30	30	30
236	236	-	236	236	236	236	∞	30	30	30
237	237	-	237	237	237	237	∅	30	30	42
238	238	-	238	238	238	238	€	30	30	30
239	239	-	239	239	239	239	∩	30	30	30
240	240	-	240	240	240	240	≡	30	30	30
241	241	241	241	241	241	241	±	30	30	30
242	242	-	242	242	242	242	≥	30	30	30
243	243	-	243	243	243	243	≤	30	30	30
244	244	-	244	244	244	244	∫	30	30	30
245	245	-	245	245	245	245	∫	30	30	30
246	246	246	246	246	246	246	÷	30	30	30
247	247	-	247	247	247	247	≈	30	30	30
248	248	248	248	248	248	248	°	30	30	30
249	249	-	249	249	249	249	▪	30	30	30
250	250	250	250	250	250	250	-	30	30	30
251	251	-	251	251	251	251	√	30	30	30
252	252	-	252	252	252	252	∩	30	30	30
253	253	253	253	253	253	253	²	30	30	30
254	254	254	254	254	254	254	▪	30	30	30
255	255	255	255	255	255	255		30	20	30
INT	-	155	-	155	-	155	∅	30	30	42
INT	-	157	-	157	-	157	∅	36	28	42
-	-	158	-	-	-	-	×	42	20	30
INT	-	169	-	-	-	-	®	36	21	30

Character code							Chr.	Proportional width		
Std.	#437	#850	#860	#861	#863	#865		Normal	Super/Sub	IBM
INT	-	181	134	164	-	-	À	36	28	42
-	-	182	143	-	132	-	Á	42	20	42
-	-	183	145	-	142	-	Â	42	28	42
INT	-	184	-	-	-	-	Ã	36	21	30
-	-	198	132	-	-	-	ä	30	20	30
-	-	199	142	-	-	-	Å	42	28	42
INT	-	207	-	-	152	175	à	30	20	30
-	-	208	-	140	-	-	ð	36	24	36
-	-	209	-	139	-	-	Ð	42	28	42
-	-	210	137	-	146	-	É	36	24	36
-	-	211	-	-	148	-	È	36	24	36
-	-	212	146	-	145	-	Ê	36	24	36
-	-	213	-	-	-	-	ı	18	12	18
-	-	214	139	165	-	-	í	24	16	24
-	-	215	-	-	168	-	ï	24	16	24
-	-	216	-	-	149	-	ÿ	24	16	24
-	-	221	-	-	160	-	ı	18	12	30
-	-	222	152	-	-	-	ÿ	24	16	24
INT	-	224	159	166	-	-	ó	30	28	42
-	-	226	140	-	153	-	ô	30	28	42
-	-	227	169	-	-	-	ò	30	28	42
-	-	228	148	-	-	-	õ	30	20	30
-	-	229	153	-	-	-	ö	30	28	42
-	-	231	-	149	-	-	þ	30	24	36
-	-	232	-	141	-	-	ƒ	30	28	42
INT	-	233	150	167	-	-	ú	30	28	42
-	-	234	-	-	158	-	û	30	28	42
-	-	235	157	-	157	-	ù	30	28	42
-	-	236	-	152	-	-	ý	30	24	36
-	-	237	-	151	-	-	ÿ	30	28	42

Character code							Chr.	Proportional width		
Std.	#437	#850	#860	#861	#863	#865		Normal	Super/Sub	IBM
-	-	238	-	-	167	-	-	30	20	30
INT	-	239	-	-	161	-	'	18	20	30
-	-	240	-	-	-	-	-	30	20	30
-	-	242	-	-	-	-	=	30	20	30
-	-	243	-	-	173	-	≈	30	21	30
-	-	244	-	-	134	-	¶	30	20	30
-	-	245	-	-	143	-	§	30	20	30
-	-	247	-	-	165	-	.	30	20	30
INT	-	249	-	-	164	-	..	30	20	30
-	-	251	-	-	-	-	1	30	20	30
-	-	252	-	-	166	-	³	30	20	30
-	-	-	-	-	141	-	=	30	20	30
INT	-	-	-	-	-	-	/	30	20	30
INT	-	-	-	-	-	-	°	24	16	24
INT	-	-	-	-	-	-	W	42	28	42
INT	-	-	-	-	-	-	+	30	20	30
INT	-	-	-	-	-	-	β	36	24	36
INT	-	-	-	-	-	-	™	36	24	36



# ***MEMO***

---

# INDEX

---

## A

Absolute horizontal tab, 102  
Adjustment lever, 5, 28  
All reset, 54  
Application software, 129  
ASF bin number, 55  
ASF control commands, 115-116  
Auto Carriage Return, 68  
Auto Line Feed, 68, 99  
Auto loading value, 53  
Auto On-Line, 60  
Automatic Sheet Feeder, 15, 40, 66

## B

Backspace, 99  
Bail lever, 5  
Base unit for line spacing, 91  
BASIC, 135  
Bell command, 114  
Bi-directional printing, 115  
Bit image dot-matrix, 152  
Bottom feed, 32  
Bottom margin, 66, 94  
BUFFER CLEAR message, 54  
Buffer size, 154

## C

Cancel command, 113  
Carriage return, 98  
Cartridge slot, 5  
Center text, 99  
Character data, 118  
Character dot pattern, 123  
Character matrix, 117, 152  
Character set, 63  
Character set #1, 169

Character set commands, 81-83  
Character set table, 158-170  
Character size and pitch commands, 84-89  
Character space, 119  
Character spacing, 87  
Character width, 86  
Characters, 152  
Clamp lever, 5  
CLEAR MACRO message, 56  
Clear the buffer, 54  
Code page, 63, 82, 162-168  
  #437, 162-163  
  #850, 164  
  #860, 165  
  #861, 166  
  #863, 167  
  #865, 168  
Color selection commands, 112  
Command summary, 187-191  
Component, 4-5  
Compression mask bit, 123  
Condensed printing, 84  
Contents of the carton, 8  
Control commands, 73-116  
Control panel, 5, 43-56  
Copy characters, 109  
CURRENT ASF BIN1 message, 55  
CURRENT BLACK message, 55

## D

Default settings, 57-72  
Define download characters, 107, 108  
Delete command, 113  
Dimensions, 154  
DIP Switch, 26

- DOS commands, 132
- Dot Adjustment mode, 71
- Double-density graphics, 103
- Double-height characters, 88
- Double-size characters, 87
- Double-strike printing, 78
- Download, 60
- Download character commands, 107-112
- Download character set, 110, 122
- Download characters, 117-127
- Draft, 61, 74
- Draft download characters, 110
- Dual-bin Automatic Sheet Feeder, 20

## E

- EDS mode, 57
- EDS setting, 70
- ELECTRIC DIP SW message, 57
- Electronic DIP Switch mode, 57
- Elite pitch, 84
- Emphasized printing, 77
- Emulation, 60, 154
- Entry slot, 5
- Expanded printing, 85

## F

- Factory settings, 59
- Fanfold forms, 27, 29
- Features, 1
- Font, 1, 61, 76
- FONT button, 46
- Font Cartridge, 23
- FONT LOCK message, 49
- Font lock mode, 49
- Font quality, 61
- Font style, 3, 151
- Font style commands, 74-80
- FONT&PITCH LOCK message, 49
- Form feed, 52, 94
- Forward feed, 92

- Forward micro-feed, 53
- Front cover, 5
- Full justify, 100

## G

- Graphics commands, 103-106
- Graphics density, 106
- Graphics direction, 60
- Graphics mode, 104, 105

## H

- HEX DUMP MODE message, 50
- Hex-density graphics, 104
- Hexadecimal dump, 50
- High Speed Draft, 61
- Horizontal position commands, 97-102
- Horizontal tab, 101
- Horizontal tab stops, 100
- HS Draft, 61

## I

- IBM character set, 63, 81, 162-168
- IBM code page, 63, 82
- Index table data, 125
- Interface Cartridge, 25
- Interface connector, 5, 12
- International character set, 63, 82, 161
- Italic characters, 77
- Italic style, 65

## L

- Left justify, 99
- Left margin, 97
- Letter Quality, 61, 75
- Line feed, 92
- Line spacing, 90, 151
- Lines, 66
- Loading fanfold forms, 29
- Loading single sheets, 38
- Locating the printer, 7

Long test mode, 48  
LQ, 61, 75  
LQ download characters, 111

## M

Macro definition, 56  
Maintenance, 149  
Master print mode, 86  
Most significant bit, 113  
MS-DOS, 129  
MSB, 113  
Multi-part forms, 27  
Multi-part mode, 66

## N

Normal-density graphics, 103  
Number of columns, 152

## O

Off line command, 114  
ON LINE button, 44  
On line command, 114  
Optional accessories, 9, 15, 155  
Ornament character, 80  
Other printer commands, 113-116  
Overlining, 79

## P

Page length, 68, 94  
Paper feed, 153  
PAPER FEED button, 44  
Paper feed speed, 153  
Paper feed trouble, 146-148  
Paper guide, 5, 38  
Paper handling, 1  
PAPER OUT message, 31, 34, 38, 44  
Paper parking, 36  
Paper specifications, 153  
Paper unparking, 37  
Paper-out detector, 66, 95

Pica pitch, 84  
Pinout of interface connector, 156-157  
PITCH button, 45  
Pitch commands, 84-89  
PITCH LOCK message, 49  
Pitch lock mode, 49  
Platen knob, 5, 10  
Power supply trouble, 144  
Power switch, 5  
Print area, 28  
Print area test mode, 49  
Print color, 54, 112  
Print direction, 151  
Print head, 5, 149  
Print pitch, 65  
PRINTER RESET message, 54  
Printing gap, 28  
Printing speed, 151  
Printing trouble, 144-145  
Proportional spacing, 86  
Proportional spacing table, 171-181  
Pull Tractor Unit, 22, 32  
Push feed, 30  
Push/Pull feed, 33

## Q

Quadruple size characters, 87  
Quadruple-density graphics, 104  
Quiet mode, 60

## R

RAM Cartridge, 23  
RAM usage, 60  
Rear cover, 5  
Relative horizontal tab, 101  
Release lever, 5  
Reset all tab stops, 101  
Reset printer, 116  
Reverse feed, 92  
Reverse line feed, 92

Reverse micro-feed, 53  
Ribbon cartridge, 5, 11  
Right justify, 100  
Right margin, 98

## S

Sample program, 120-121, 126-127, 135-139  
Score, 79  
Selection of paper, 27  
SELF TEST LONG message, 48  
SELF TEST SHORT message, 47  
SELF TEST TOP&B. message, 49  
Semi-condensed, 84  
SET MACRO message, 56  
SET TOF POSITION message, 53  
SET/EJECT/PARK button, 45  
Setting up, 10  
Shift download character area, 110  
SHORT TEAR-OFF message, 44  
Short test mode, 47  
Single sheets, 27  
Single-bin Automatic Sheet Feeder, 15  
Skip-over-perforation, 68  
SLQ, 61  
Special character set, 170  
Specifications, 151-155  
Standard character set, 63, 81, 159-160  
STROBE timing, 70  
Subscript, 80  
Super Letter Quality, 61  
Superscript, 80

## T

Tear assist, 5  
Tear-off function, 68  
Top margin, 66  
TOP MARGIN SET message, 53  
Top of form, 52, 93  
Tractor, 5

Troubleshooting, 143-148  
Paper feeding, 146-148  
Power supply, 144  
Printing, 144-145

## U

Underlining, 78  
Uni-directional printing, 115  
Unpacking and inspection, 8

## V

Vertical position commands, 90-96  
Vertical tab, 96  
Vertical tab channel, 96  
Vertical tab stops, 95

## W

Weight, 154

## Z

Zero style, 63, 83

# COMMAND SUMMARY

## Standard Mode

The following commands take effect with the Standard mode.

CONTROL CODE	FUNCTION	PAGE
<BEL>	Bell	114
<BS>	Backspace	99
<HT>	Horizontal tab	101
<LF>	Line feed	92
<VT>	Vertical tab	96
<FF>	Form feed	94
<CR>	Carriage return	98
<SO>	Expanded printing for one line	85
<SI>	Condensed printing	84
<DC1>	Set printer on-line	114
<DC2>	Cancel condensed printing	85
<DC3>	Set printer off-line	114
<DC4>	Cancel one-line expanded printing	85
<CAN>	Cancel last line	113
<ESC> <LF>	Reverse line feed	92
<ESC> <FF>	Return to top of current page	95
<ESC> <SO>	Expanded printing for one line	85
<ESC> <SI>	Condensed printing	84
<ESC> <EM> <0>	Manual feed	115
<ESC> <EM> <1>	Select ASF bin #1	116
<ESC> <EM> <2>	Select ASF bin #2	116
<ESC> <EM> <4>	Auto feed	115
<ESC> <EM> "R"	Eject paper from ASF	116
<ESC> <EM> "T" n	Set print start position on ASF	116
<ESC> <SP> n	Increase character spacing	87
<ESC> "1" n	Select master print mode	86
<ESC> "#"	Accept MSB as is	113
<ESC> "3" n1 n2	Absolute horizontal tab in inches	102
<ESC> "%" 0	Select ROM character set	112
<ESC> "%" 1	Select download character set	110
<ESC> "&" <0> n1 n2 m0 m1 m2 d1 d2 ... dx	Define download characters	107
<ESC> "r" "-" <3> <0> <1> n1 n2	Select score	79
<ESC> "s" n0 n1 n2 m1 m2 ...	Select graphics mode	104
<ESC> "+" n	Set line spacing to n/360 inch	90
<ESC> "-" 0	Stop underlining	78
<ESC> "-" 1	Start underlining	78
<ESC> "f" n0	Select vertical tab channel	96
<ESC> "0"	Set line spacing to 1/8 inch	90
<ESC> "1"	Set line spacing to 7/60 or 7/72 inch	90
<ESC> "2"	Set line spacing to 1/6 inch	90
<ESC> "3" n	Set line spacing to n/180 inch or n/216 inch	91
<ESC> "4"	Select italic characters	77
<ESC> "5"	Select upright characters	77
<ESC> "6"	Select character set #2	81
<ESC> "7"	Select character set #1	81
<ESC> "8"	Disable paper-out detector	95
<ESC> "9"	Enable paper-out detector	95

CONTROL CODE	FUNCTION	PAGE
<ESC> “.” <0> n <0>	Copy character set from ROM into RAM	109
<ESC> “^”	One-line uni-directional printing	115
<ESC> “_”	Set MSB to 0	113
<ESC> “>”	Set MSB to 1	113
<ESC> “?” n m	Convert graphics density	106
<ESC> “@”	Reset printer	116
<ESC> “A” n	Set line spacing to n/60 inch or n/72 inch	91
<ESC> “B” n1 n2 ... <0>	Set vertical tab stops	95
<ESC> “C” <0> n	Set page length to n inches	94
<ESC> “C” n	Set page length to n lines	94
<ESC> “D” n1 n2 ... <0>	Set horizontal tab stops	100
<ESC> “E”	Emphasized printing	77
<ESC> “F”	Cancel emphasized printing	77
<ESC> “G”	Double-strike printing	78
<ESC> “H”	Cancel double-strike printing	78
<ESC> “J” n	Perform one n/180-inch or n/216-inch line feed	93
<ESC> “K” n1 n2 m1 m2 ...	Print normal-density 8-bit graphics	103
<ESC> “L” n1 n2 m1 m2 ...	Print double-density 8-bit graphics	103
<ESC> “M”	Elite pitch	84
<ESC> “N” n	Set bottom margin	94
<ESC> “O”	Cancel bottom margin	94
<ESC> “P”	Pica pitch	84
<ESC> “Q” n	Set right margin	98
<ESC> “R” n	Select international character set	82
<ESC> “S” 0	Superscript	80
<ESC> “S” 1	Subscript	80
<ESC> “T”	Cancel superscript or subscript	80
<ESC> “U” 0	Bi-directional printing	115
<ESC> “U” 1	Uni-directional printing	115
<ESC> “W” 0	Cancel expanded printing	85
<ESC> “W” 1	Expanded printing	85
<ESC> “Y” n1 n2 m1 m2 ...	Print double-density, double-speed 8-bit graphics	103
<ESC> “Z” n1 n2 m1 m2 ...	Print quadruple-density 8-bit graphics	104
<ESC> “ ” “T” <4> <0> <0> <0> n1 n2	Select IBM code page	82
<ESC> “^” n1 n2	Relative horizontal tab	101
<ESC> “a” 0	Left justify	99
<ESC> “a” 1	Center text	99
<ESC> “a” 2	Right justify	100
<ESC> “a” 3	Full justify	100
<ESC> “b” n0 n1 n2 ... <0>	Set vertical tab stops in channel	96
<ESC> “e” 0 n	Set horizontal tab stop every n columns	100
<ESC> “e” 1 n	Set vertical tab stops every n lines	96
<ESC> “f” 0 n	Absolute horizontal tab in columns	102
<ESC> “f” 1 n	Feed paper n lines	93
<ESC> “g”	Semi-condensed pitch	84
<ESC> “h” n	Select double or quadruple size	87
<ESC> “j” n	Perform one n/180-inch reverse line feed	93
<ESC> “k” n	Select LQ font	76
<ESC> “l” n	Set left margin	97
<ESC> “p” 0	Select fixed spacing	86
<ESC> “p” 1	Select proportional spacing	86
<ESC> “q” n	Select ornament character	80
<ESC> “r” n	Select print color	112
<ESC> “t” 0	Select standard character set	81
<ESC> “t” 1	Select IBM character set	81
<ESC> “t” 2	Shift download character area	110
<ESC> “w” 0	Return to normal height	88
<ESC> “w” 1	Print double-height characters	88
<ESC> “x” 0	Select draft quality characters	74

CONTROL CODE	FUNCTION	PAGE
<ESC> "x" 1	Select LQ characters	75
<ESC> "~" 0	Select normal zero	83
<ESC> "~" 1	Select slash zero	83
<FS> "3" <i>n</i>	Set line spacing to <i>n</i> /360 inch	90
<FS> "@"	Reset printer	116
<FS> "C" <i>n</i>	Select LQ font	76
<FS> "E" <i>n</i>	Select character width	86
<FS> "F"	Select forward feed mode	92
<FS> "I" 0	Select standard character set	81
<FS> "I" 1	Select IBM character set	81
<FS> "I" 2	Shift download character area	110
<FS> "R"	Select reverse feed mode	92
<FS> "V" 0	Return to normal height	88
<FS> "V" 1	Print double-height characters	88
<FS> "Z" <i>n1 n2 m1 m2 m3 ...</i>	Print hex-density 24-bit graphics	104
"(" (" "0" ")")	Manual feed	115
"(" (" "1" ")")	Select ASF bin #1	116
"(" (" "2" ")")	Select ASF bin #2	116
"(" (" "4" ")")	Auto feed	115
"(" (" "C" ")") <i>d</i>	Select print color	112
"(" (" "F" ")") <i>d</i>	Select font	76
"(" (" "R" ")")	Eject paper from ASF	116
"(" (" "S" ")") <i>d</i>	Select character size	88
"(" (" "T" ")") <i>n</i>	Set print start position on ASF	116
<DEL>	Delete last character sent	113



# IBM Mode

The following commands take effect with the IBM mode.

CONTROL CODE	FUNCTION	PAGE
<BEL>	Bell	114
<BS>	Backspace	99
<HT>	Horizontal tab	101
<LF>	Line feed	92
<VT>	Vertical tab	96
<FF>	Form feed	94
<CR>	Carriage return	98
<SO>	Expanded printing for one line	85
<SI>	Condensed printing	84
<DC1>	Set printer on-line	114
<DC2>	Pica pitch	84
<DC4>	Cancel one-line expanded printing	85
<CAN>	Cancel last line	113
<ESC> <EM> <0>	Manual feed	115
<ESC> <EM> <1>	Select ASF bin #1	116
<ESC> <EM> <2>	Select ASF bin #2	116
<ESC> <EM> <4>	Auto feed	115
<ESC> <EM> "R"	Eject paper from ASF	116
<ESC> <EM> "T" <i>n</i>	Set print start position on ASF	116
<ESC> "_" 0	Stop underlining	78
<ESC> "_" 1	Start underlining	78
<ESC> "0"	Set line spacing to 1/8 inch	90
<ESC> "1"	Set line spacing to 7/60 or 7/72 inch	90
<ESC> "2"	Execute <ESC> "A"	92
<ESC> "3" <i>n</i>	Set line spacing to <i>n</i> /180 inch or <i>n</i> /216 inch	91
<ESC> "4"	Set top of page at current position	93
<ESC> "5" <0>	Cancel automatic line feed	99
<ESC> "5" <1>	Set automatic line feed	99
<ESC> "6"	Select character set #2	81
<ESC> "7"	Select character set #1	81
<ESC> "8"	Disable paper-out detector	95
<ESC> "9"	Enable paper-out detector	95
<ESC> "."	Elite pitch	84
<ESC> "=" <i>n1 n2 "##" n3 n4 &lt;0&gt; n5 m1 m2 ... m9 d1 d2 ... dx</i>	Define download characters	108
<ESC> "@"	Reset printer	116
<ESC> "A" <i>n</i>	Set line spacing to <i>n</i> /60 inch or <i>n</i> /72 inch	91
<ESC> "B" <i>n1 n2 .... &lt;0&gt;</i>	Set vertical tab stops	95
<ESC> "C" <0> <i>n</i>	Set page length to <i>n</i> inches	94
<ESC> "C" <i>n</i>	Set page length to <i>n</i> lines	94
<ESC> "D" <i>n1 n2 .... &lt;0&gt;</i>	Set horizontal tab stops	100
<ESC> "E"	Emphasized printing	77
<ESC> "F"	Cancel emphasized printing	77
<ESC> "G"	Double-strike printing	78
<ESC> "H"	Cancel double-strike printing	78
<ESC> "I" <0>	Select draft pica characters	74
<ESC> "I" <2>	Select LQ pica characters	75
<ESC> "I" <3>	Select LQ proportional characters	76
<ESC> "I" <4>	Select draft pica download character set	110
<ESC> "I" <6>	Select LQ pica download characters	111
<ESC> "I" <7>	Select LQ proportional download characters	111
<ESC> "I" <8>	Select draft elite characters	74
<ESC> "I" <LF>	Select LQ elite characters	75
<ESC> "I" <FF>	Select draft elite download character set	110
<ESC> "I" <SO>	Select LQ elite download characters	111

CONTROL CODE	FUNCTION	PAGE
<ESC> "T" <16>	Select draft condensed characters	74
<ESC> "T" <DC2>	Select LQ condensed characters	75
<ESC> "T" <DC4>	Select draft condensed download characters	111
<ESC> "T" <SYN>	Select LQ condensed download characters	111
<ESC> "J" <i>n</i>	Perform one <i>n</i> /180-inch or <i>n</i> /216-inch line feed	93
<ESC> "K" <i>n1 n2 m1 m2 ...</i>	Print normal-density 8-bit graphics	103
<ESC> "L" <i>n1 n2 m1 m2 ...</i>	Print double-density 8-bit graphics	103
<ESC> "N" <i>n</i>	Set bottom margin	94
<ESC> "O" <i>n</i>	Cancel bottom margin	94
<ESC> "P" <0>	Select fixed spacing	86
<ESC> "P" <1>	Select proportional spacing	86
<ESC> "Q" <i>n</i>	Set printer off-line	114
<ESC> "R" <i>n</i>	Reset all tab stops	101
<ESC> "S" 0	Superscript	80
<ESC> "S" 1	Subscript	80
<ESC> "T" <i>n</i>	Cancel superscript or subscript	80
<ESC> "U" 0	Bi-directional printing	115
<ESC> "U" 1	Uni-directional printing	115
<ESC> "W" 0	Cancel expanded printing	85
<ESC> "W" 1	Expanded printing	85
<ESC> "X" <i>n1 n2</i>	Set left and right margins	98
<ESC> "Y" <i>n1 n2 m1 m2 ...</i>	Print double-density, double-speed 8-bit graphics	103
<ESC> "Z" <i>n1 n2 m1 m2 ...</i>	Print quadruple-density 8-bit graphics	104
<ESC> "I" "@" <4> <0> <0> <0>	<i>n m</i> Select character height, width, and line spacing	89
<ESC> "I" "T" <4> <0> <0> <0>	<i>n1 n2</i> Select IBM code page	82
<ESC> "I" "^" <4> <0> <0> <0> <0>	<i>n</i> Set base unit for line spacing	91
<ESC> "I" "g" <i>n1 n2 m0 m1 m2 ...</i>	Select graphics mode	105
<ESC> "I" <i>n1 n2</i>	Enable printing of all character codes	83
<ESC> "J" <i>n</i>	Reverse line feed	92
<ESC> "A" <i>n</i>	Enable printing of all character codes on next character	83
<ESC> " " 0	Stop overlining	79
<ESC> " " 1	Start overlining	79
<ESC> "d" <i>n1 n2</i>	Relative horizontal tab in inches	101
<ESC> "j" <i>n</i>	Stop printing	114
<ESC> "k" <i>n</i>	Select LQ font	76
<ESC> "P" <i>n</i>	Select print color	112
<ESC> "t" 0	Select standard character set	81
<ESC> "t" 1	Select IBM character set	81
"(" (" "0" ")" ")"	Manual feed	115
"(" (" "1" ")" ")"	Select ASF bin #1	116
"(" (" "2" ")" ")"	Select ASF bin #2	116
"(" (" "4" ")" ")"	Auto feed	115
"(" (" "C" ")" ")" <i>d</i>	Select print color	112
"(" (" "F" ")" ")" <i>d</i>	Select font	76
"(" (" "R" ")" ")"	Eject paper from ASF	116
"(" (" "S" ")" ")" <i>d</i>	Select character size	88
"(" (" "T" ")" ")" <i>n</i>	Set print start position on ASF	116

# ***Consumer Response***

Star Micronics Co., Ltd. invites your suggestions and comments on your printer and this manual. Please address your correspondence to:

*Worldwide Headquarters:*

STAR MICRONICS CO., LTD.  
20-10 Nakayoshida  
Shizuoka, JAPAN 422-91  
Attn: Product Manager

*American Market:*

STAR MICRONICS AMERICA, INC.  
420 Lexington Avenue, Suite 2702-25  
New York, NY 10170  
Attn: Product Manager

*European Market:*

STAR MICRONICS DEUTSCHLAND GMBH  
Westerbachstraße 59  
P.O. Box 940330  
D-6000 Frankfurt/Main 90  
F.R. of Germany  
Attn: Product Manager

*U.K. Market:*

STAR MICRONICS U.K., LTD.  
Star House  
Peregrine Business Park  
Gomm Road, High Wycombe  
Bucks. HP13 7DL, U.K.  
Attn: Product Manager

*French Market:*

STAR MICRONICS FRANCE S.A.R.L.  
25, rue Michaël Faraday  
78180 Montigny-le-Bretonneux  
Attn: Product Manager

*Asian Market:*

STAR MICRONICS ASIA LTD.  
Room 2408-10 Sincere Building;  
173 Des Voeux Road, Central, HONG KONG  
Attn: Product Manager

PRINTED IN JAPAN

## Free Manuals Download Website

<http://myh66.com>

<http://usermanuals.us>

<http://www.somanuals.com>

<http://www.4manuals.cc>

<http://www.manual-lib.com>

<http://www.404manual.com>

<http://www.luxmanual.com>

<http://aubethermostatmanual.com>

Golf course search by state

<http://golfingnear.com>

Email search by domain

<http://emailbydomain.com>

Auto manuals search

<http://auto.somanuals.com>

TV manuals search

<http://tv.somanuals.com>