

# Micro USB KVM Switch

2 Port Micro USB KVM Kit with Audio and Cables

SV211KUSB

Instruction Manual



Actual product may vary from photo

**StarTech.com**

The Professionals' Source for Hard-to-Find Computer Parts

## **FCC Compliance Statement**

This equipment has been tested and found to comply with the limits for a Class B digital device, pursuant to part 15 of the FCC Rules. These limits are designed to provide reasonable protection against harmful interference in a residential installation. This equipment generates, uses and can radiate radio frequency energy and, if not installed and used in accordance with the instructions, may cause harmful interference to radio communications. However, there is no guarantee that interference will not occur in a particular installation. If this equipment does cause harmful interference to radio or television reception, which can be determined by turning the equipment off and on, the user is encouraged to try to correct the interference by one or more of the following measures:

- Reorient or relocate the receiving antenna.
- Increase the separation between the equipment and receiver.
- Connect the equipment into an outlet on a circuit different from that to which the receiver is connected.
- Consult the dealer or an experienced radio/TV technician for help.

## **Use of Trademarks, Registered Trademarks, and other Protected Names and Symbols**

This manual may make reference to trademarks, registered trademarks, and other protected names and/or symbols of third-party companies not related in any way to StarTech.com. Where they occur these references are for illustrative purposes only and do not represent an endorsement of a product or service by StarTech.com, or an endorsement of the product(s) to which this manual applies by the third-party company in question. Regardless of any direct acknowledgement elsewhere in the body of this document, StarTech.com hereby acknowledges that all trademarks, registered trademarks, service marks, and other protected names and/or symbols contained in this manual and related documents are the property of their respective holders.

## Table of Contents

<b>Introduction</b> .....	<b>1</b>
Features .....	1
<b>Before You Begin</b> .....	<b>1</b>
System Requirements .....	1
Contents .....	1
<b>Installation</b> .....	<b>2</b>
Installing the KVM Client application .....	2
Connecting console components to the KVM switch .....	2
Connecting computers to the KVM switch .....	2
<b>Using the KVM Switch</b> .....	<b>3</b>
Using the face-panel buttons .....	3
Using predefined hotkeys .....	3
KVM Switcher software .....	4
<b>Accessory Products from StarTech.com</b> .....	<b>5</b>
<b>Technical Support</b> .....	<b>6</b>
<b>Warranty Information</b> .....	<b>6</b>

## Introduction

Thank you for purchasing a StarTech.com 2-port Micro USB KVM Kit. This product allows you to access and control two USB-enabled computers and features an independent audio/mic switching function that offers uninterrupted audio, even while connected to another computer. For PCs running Windows systems, SV211KUSB provides an easy-to-use KVM Client application to facilitate switching operations such as PC selection and hotkey sequence programming, autoscanning, autoscan delay time programming and independent/simultaneous audio and PC switching.

### Features

- USB 1.1 compliant
- Also switches audio for a complete multimedia sharing solution
- Optional Windows-based Switching Software provides configurable hotkeys
- LED indicators for easy status monitoring
- High VGA resolution 2048 x 1536
- Powered by USB

## Before You Begin

### System Requirements

- Console: USB keyboard (1), USB mouse (1), VGA Monitor (1), speakers (optional), microphone (optional)
- Controlled systems: USB keyboard and mouse support, VGA video out, speaker out (optional), microphone out (optional)

### Contents

#### This package should contain:

- Micro USB KVM Switch (1)
- 4 ft. (1.2m) USB + Video Data Cable (2)
- 4 ft. (1.2m) Audio Cable (2)
- Instruction Manual (1)
- Software CD

## Installation

This section details how to install the optional Windows-based software, as well as how to make the necessary physical connections between your peripherals and the KVM switch. For best results, ensure that all the computers to be controlled are located as close as possible to the KVM switch and console peripherals (monitor, keyboard, mouse), as this will reduce the length of cabling required and reduces the chance of interference.

### Installing the KVM Client application

**Please note:** The KVM Software supports only the Windows operating system. When using other operating systems such as Linux, you can still use the keyboard hotkey **ScrLK + ScrLK** to switch PCs, however this hotkey is not available on non-PC platforms such as Mac OS, however an IBM keyboard can be used at the console to control Apple Mac computers.

1. For each computer that will be connected to the KVM switch, please insert the companion CD ROM into your CD drive. The installation program **USBKVMIn.exe** should run automatically, however if it does not, please locate the file on the disk and double-click on the icon to launch the application.
2. After the installation is completed, you will see a KVM Switcher icon on the system tray of your Windows desktop. Right-click to evoke the operation menu, and double-click to evoke the configuration box. Please see Page 4 for configuration options.

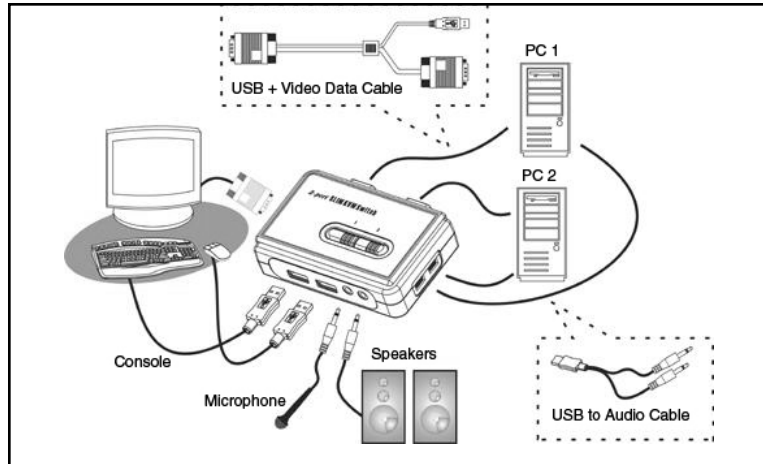
### Connecting console components to the KVM Switch

1. Place the KVM switch in close proximity to the keyboard, mouse and monitor you wish to use as the console controls.
2. Connect the monitor to the VGA port located on the side of the switch, as labeled with a monitor icon.
3. Connect a USB keyboard to the Type A connector under **CONSOLE**, marked with a keyboard icon on the front of the switch.
4. Connect a USB mouse to the Type A connector under **CONSOLE**, marked with a mouse icon on the front of the switch.
5. Connect speakers to the green 3.5mm phono connector under **CONSOLE** (optional).
6. Connect a microphone to the pink 3.5mm phono connector under **CONSOLE** (optional).

### Connecting Computers to the KVM Switch

This section describes how to connect the computers you wish to control to the KVM switch.

1. Remove any existing keyboards, mice, monitors, speakers, and microphones from the computer.



2. Using a USB + Video Data Cable, connect one end (blue) to the video out connector on **computer 1**. (This will be the same connector from which you disconnected the monitor in step 1, if applicable.) Connect the opposite end to the VGA port on the back of the KVM Switch.
3. Plug the USB portion of the USB + Video Data Cable into an available USB port on **computer 1**.
4. Optional: If you wish to use audio, plug the slim 3-in-1 KVM combo cable into the **mic** and **speaker out** ports. Insert the opposite end of the cable (USB mini-B) into the port located on the side of the switch denoted as **PC1**.
5. Repeat the above process to connect the second computer.

## Using the KVM Switch

There are three methods of controlling your KVM Switch for PC and Audio/Mic channel selection:

- (1) **Using the face-panel buttons:** The face-panel button allows you to have direct control over KVM switching operation. Simply pressing the button will switch to the corresponding PC port and audio/mic channel (if enabled). By default, PC port switching and audio/mic port switching are bound together.
- (2) **Using predefined hotkeys:** SV211KUSB features Universal hotkeys for PC toggle-switching. Please note: that each keystroke within a hotkey sequence should be pressed within 2 seconds. Otherwise, the hotkey sequence will not be validated. Also, please note that hotkeys are only functional after the PCs have fully booted into the Operating System. If you want to switch PCs prior to fully booting, please switch manually, using the face-panel buttons to switch. The following table illustrates

## Instruction Manual

various hotkey sequences that can be used with the switch:

Command Name	Hotkey Sequence	Description
Select active computer	[ScrLk]+[ScrLk]+[x]	Switches access to the computer connected to the corresponding port number on the KVM. ([x]= a number on the keyboard)
Select USB hub control	[ScrLk]+[ScrLk]+[Fx]	Switches which corresponding port number has access to the to the devices connected to the KVM's USB hub. ([Fx] = Function key: F1=Port 1, F2=Port 2, etc.)
Select Audio/Mic output	[ScrLk]+[ScrLk]+[Fy]	Switches which port's speaker and microphone output is active at the console. ([Fy] = Function key: F5=Port 1, F6=Port 2, etc.)
Bind computer and USB hub control (default)	[ScrLk]+[ScrLk]+[Z]	When <u>either</u> the select active computer or select USB hub control commands are executed, both functions are switched to the selected port.
Unbind computer and USB hub control	[ScrLk]+[ScrLk]+[X]	The computer control and USB hub control can be executed separately; KVM control and USB hub control can be assigned to different ports at one time.
Bind computer and Audio/Mic control (default)	[ScrLk]+[ScrLk]+[Q]	When <u>either</u> the select active computer or select audio/mic output control commands are executed, both functions are switched to the selected port.
Unbind computer and Audio/Mic output control	[ScrLk]+[ScrLk]+[W]	The computer control and USB hub control can be executed separately; KVM control and Audio/Mic output control can be assigned to different ports at one time.
Select next/previous port	[ScrLk]+[ScrLk]+[arrow]	Selects the next (up arrow key) or previous (down arrow key) numbered port for control.
Select previous port	[ScrLk]+[ScrLk]+[BkSp]	Selects the most recent previously active port.
Beep sound on/off	[ScrLk]+[ScrLk]+[B]	Enables/disables audible responses from the KVM.
Define new hotkey sequence	[ScrLk]+[ScrLk]+[H]+[y]	Change the standard [ScrLk] hotkey to a new value (see below).
Autoscan	[ScrLk]+[ScrLk]+[S]	Automatically switch active ports in sequence every 10 seconds. (Press any key to cancel.)
Autoscan with programmable delay	[ScrLk]+[ScrLk]+[S]+[z]	Autoscan with a delay other than 10 seconds (see below). Press any key to cancel.

**(3) KVM Switching software:** To evoke the operation menu from within the KVM Switching software, right-click on the KVM Switching icon located in the system tray. By selecting **Settings**, you will be able to customize the hotkeys to be used with the CTRL+ALT command (i.e. CTRL+ALT+1 = PC1, CTRL+ALT+2 = PC2), by entering the desired value into the editable text box. Please note: ALT, CTRL, SHIFT, CAPS, TAB, ESC, function keys (i.e. F1, F2) and edit keys cannot be selected as hotkeys.

From within the KVM Switcher software, you also have the option to fix the audio/mic channel to the selected PC. Once this option is check, the audio/mic channel will be fixed and become non-switchable without re-configuration.

Similarly, the Autoscan feature can also be customized, by selecting the desired Auto Scan Period from the drop down menu provided. The Autoscan period is the time your KVM Switch will wait to switch to the next PC.

## **Technical Support**

StarTech.com's lifetime technical support is an integral part of our commitment to provide industry-leading solutions. If you ever need help with your product, visit [www.startech.com/support](http://www.startech.com/support) and access our comprehensive selection of online tools, documentation, and downloads.

## **Warranty Information**

This product is backed by a one-year warranty. In addition, StarTech.com warrants its products against defects in materials and workmanship for the periods noted, following the initial date of purchase. During this period, the products may be returned for repair, or replacement with equivalent products at our discretion. The warranty covers parts and labor costs only. StarTech.com does not warrant its products from defects or damages arising from misuse, abuse, alteration, or normal wear and tear.

## **Limitation of Liability**

In no event shall the liability of StarTech.com Ltd. and StarTech.com USA LLP (or their officers, directors, employees or agents) for any damages (whether direct or indirect, special, punitive, incidental, consequential, or otherwise), loss of profits, loss of business, or any pecuniary loss, arising out of or related to the use of the product exceed the actual price paid for the product.

Some states do not allow the exclusion or limitation of incidental or consequential damages. If such laws apply, the limitations or exclusions contained in this statement may not apply to you.



## **About StarTech.com**

StarTech.com is “The Professionals’ Source for Hard-to-Find Computer Parts”. Since 1985, we have been providing IT professionals with the quality products they need to complete their solutions. We offer an unmatched selection of computer parts, cables, server management solutions and A/V products and serve a worldwide market through our locations in the United States, Canada, the United Kingdom and Taiwan.

Visit **[www.startech.com](http://www.startech.com)** for complete information about all our products and to access exclusive interactive tools such as the Parts Finder and the KVM Reference Guide. StarTech.com makes it easy to complete almost any IT solution. Find out for yourself why our products lead the industry in performance, support, and value.

Revised: 19 May 2006 (Rev. B)

## Free Manuals Download Website

<http://myh66.com>

<http://usermanuals.us>

<http://www.somanuals.com>

<http://www.4manuals.cc>

<http://www.manual-lib.com>

<http://www.404manual.com>

<http://www.luxmanual.com>

<http://aubethermostatmanual.com>

Golf course search by state

<http://golfingnear.com>

Email search by domain

<http://emailbydomain.com>

Auto manuals search

<http://auto.somanuals.com>

TV manuals search

<http://tv.somanuals.com>