

DVI Video Extender over CAT5 UTP

ST121UTPDVI / ST121UTPDVGB / ST121UTPDVEU

DE: Bedienungsanleitung - de.startech.com

FR: Guide de l'utilisateur - fr.startech.com

ES: Guía del usuario - es.startech.com

IT: Guida per l'uso - it.startech.com

NL: Gebruiksaanwijzing - nl.startech.com

PT: Guia do usuário - pt.startech.com

Packaging Contents

- 1 x DVI Extender Local Unit
- 1 x DVI Extender Remote Unit
- 2 x Power Adapter
- 1 x Instruction Manual

System Requirements

- DVI enabled video source device (i.e. computer, PVR/DVR, etc)
- DVI enabled video display device (i.e. monitor, projector, etc)
- Available AC electrical out at local/remote locations

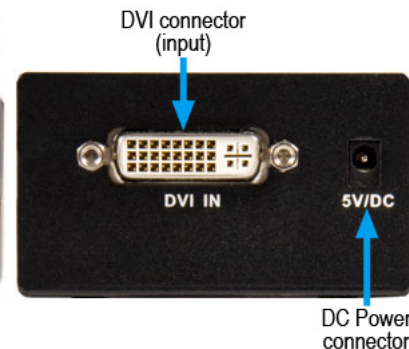
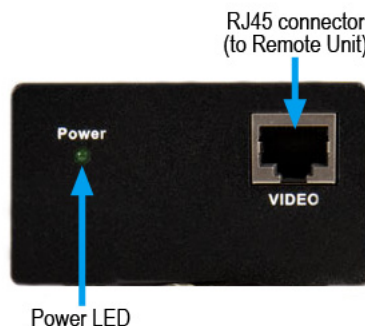
Preparing Your Site

1. Determine where the local video source (i.e. computer) will be located and set up the device.
2. Determine where the remote display will be located and place/mount the display appropriately.
3. If you are using surface cabling, ensure you have enough Cat5 unshielded twisted pair (UTP) Ethernet cabling to connect the Local Unit to the Remote Unit's location, and that each end is terminated with a RJ45 Ethernet connector. The cabling should not go through any networking equipment (i.e. router, switch).

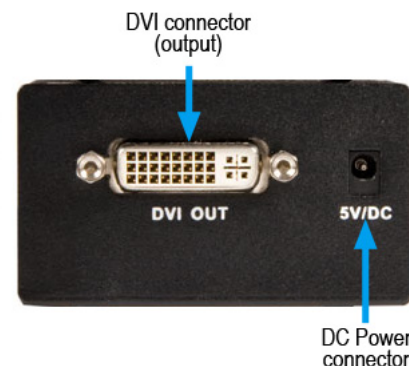
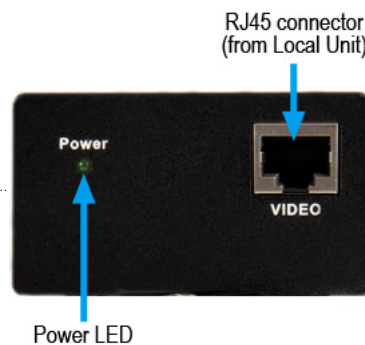
OR

If you are using premise cabling, ensure that the Cat5 unshielded twisted pair (UTP) Ethernet Cabling between the Local Unit and the Remote Unit has been properly terminated in a wall outlet in each location and there is a patch cable long enough to connect the Remote Unit and the Local Unit to their respective outlets. The cabling should not go through any networking equipment (i.e. router, switch).

Local Unit



Remote Unit



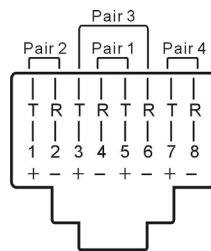
Installation

1. Turn off the video source (i.e. computer) and the intended display device (i.e. monitor).
 2. Position the Remote Unit near the intended display.
 3. Position the Local Unit near the video source.
- Please note** that both units will require a power connection, so please ensure that each unit is situated near an available power outlet.
4. Connect the video source to the "DVI In" port on the rear panel of the Local Unit, using a DVI-D male/male cable.
 5. Connect the intended display to the "DVI Out" port located on the rear panel of the Remote Unit using a DVI-D male/male cable.
 6. Connect the Local Unit to the Remote Unit, using standard RJ45 terminated CAT5 cable (see Preparing Your Site).
 7. Connect the power adapters (provided) to both Local and Remote Units.
 8. Turn on the display device first, followed by the video source.

Wiring Diagram

The UTP cable must be wired according to the EIA/TIA 568B industry standard as shown below.

Pin	Wire Color	Pair
1	White/Orange	2
2	Orange	2
3	White/Green	3
4	Blue	1
5	White/Blue	1
6	Green	3
7	White/Brown	4
8	Brown	4



Specifications

Video Signal	DVI-D (digital)
Connectors	1 x DVI-I (29-pin) female 1 x RJ45 Ethernet female 1 x DC Power female
Maximum Video Resolution	1600x1200 @ 60Hz
Maximum Distance	45m / 150ft
Power Adapter	5VDC, 1000mA, center positive, type H plug
Enclosure Material	Metal
Dimensions	67.0mm x 52.0mm x 38.0mm
Weight	138g

FCC Compliance Statement

This equipment has been tested and found to comply with the limits for a Class B digital device, pursuant to part 15 of the FCC Rules. These limits are designed to provide reasonable protection against harmful interference in a residential installation. This equipment generates, uses and can radiate radio frequency energy and, if not installed and used in accordance with the instructions, may cause harmful interference to radio communications. However, there is no guarantee that interference will not occur in a particular installation. If this equipment does cause harmful interference to radio or television reception, which can be determined by turning the equipment off and on, the user is encouraged to try to correct the interference by one or more of the following measures:

- Reorient or relocate the receiving antenna.
- Increase the separation between the equipment and receiver.
- Connect the equipment into an outlet on a circuit different from that to which the receiver is connected.
- Consult the dealer or an experienced radio/TV technician for help.

Use of Trademarks, Registered Trademarks, and other Protected Names and Symbols

This manual may make reference to trademarks, registered trademarks, and other protected names and/or symbols of third-party companies not related in any way to StarTech.com. Where they occur these references are for illustrative purposes only and do not represent an endorsement of a product or service by StarTech.com, or an endorsement of the product(s) to which this manual applies by the third-party company in question. Regardless of any direct acknowledgement elsewhere in the body of this document, StarTech.com hereby acknowledges that all trademarks, registered trademarks, service marks, and other protected names and/or symbols contained in this manual and related documents are the property of their respective holders.

Technical Support

StarTech.com's lifetime technical support is an integral part of our commitment to provide industry-leading solutions. If you ever need help with your product, visit www.startech.com/support and access our comprehensive selection of online tools, documentation, and downloads.

Warranty Information

This product is backed by a two year warranty.

In addition, StarTech.com warrants its products against defects in materials and workmanship for the periods noted, following the initial date of purchase. During this period, the products may be returned for repair, or replacement with equivalent products at our discretion. The warranty covers parts and labor costs only. StarTech.com does not warrant its products from defects or damages arising from misuse, abuse, alteration, or normal wear and tear.

Limitation of Liability

In no event shall the liability of StarTech.com Ltd. and StarTech.com USA LLP (or their officers, directors, employees or agents) for any damages (whether direct or indirect, special, punitive, incidental, consequential, or otherwise), loss of profits, loss of business, or any pecuniary loss, arising out of or related to the use of the product exceed the actual price paid for the product. Some states do not allow the exclusion or limitation of incidental or consequential damages. If such laws apply, the limitations or exclusions contained in this statement may not apply to you.

Free Manuals Download Website

<http://myh66.com>

<http://usermanuals.us>

<http://www.somanuals.com>

<http://www.4manuals.cc>

<http://www.manual-lib.com>

<http://www.404manual.com>

<http://www.luxmanual.com>

<http://aubethermostatmanual.com>

Golf course search by state

<http://golfingnear.com>

Email search by domain

<http://emailbydomain.com>

Auto manuals search

<http://auto.somanuals.com>

TV manuals search

<http://tv.somanuals.com>