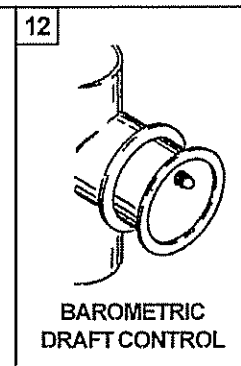
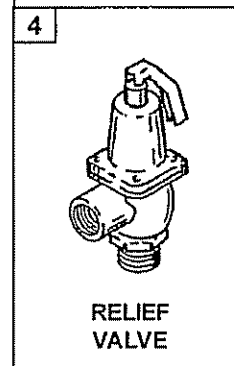
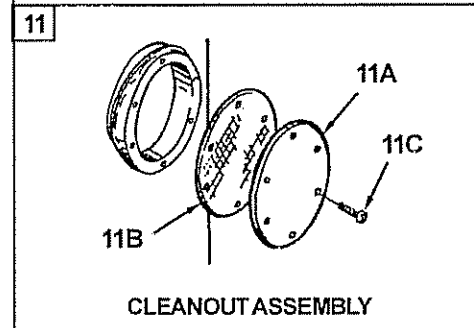
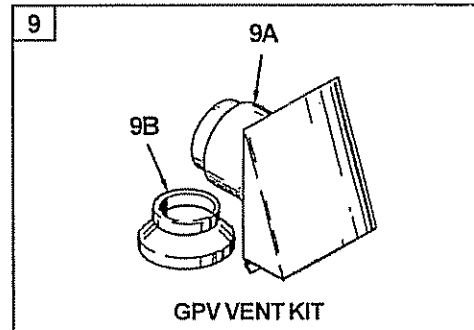
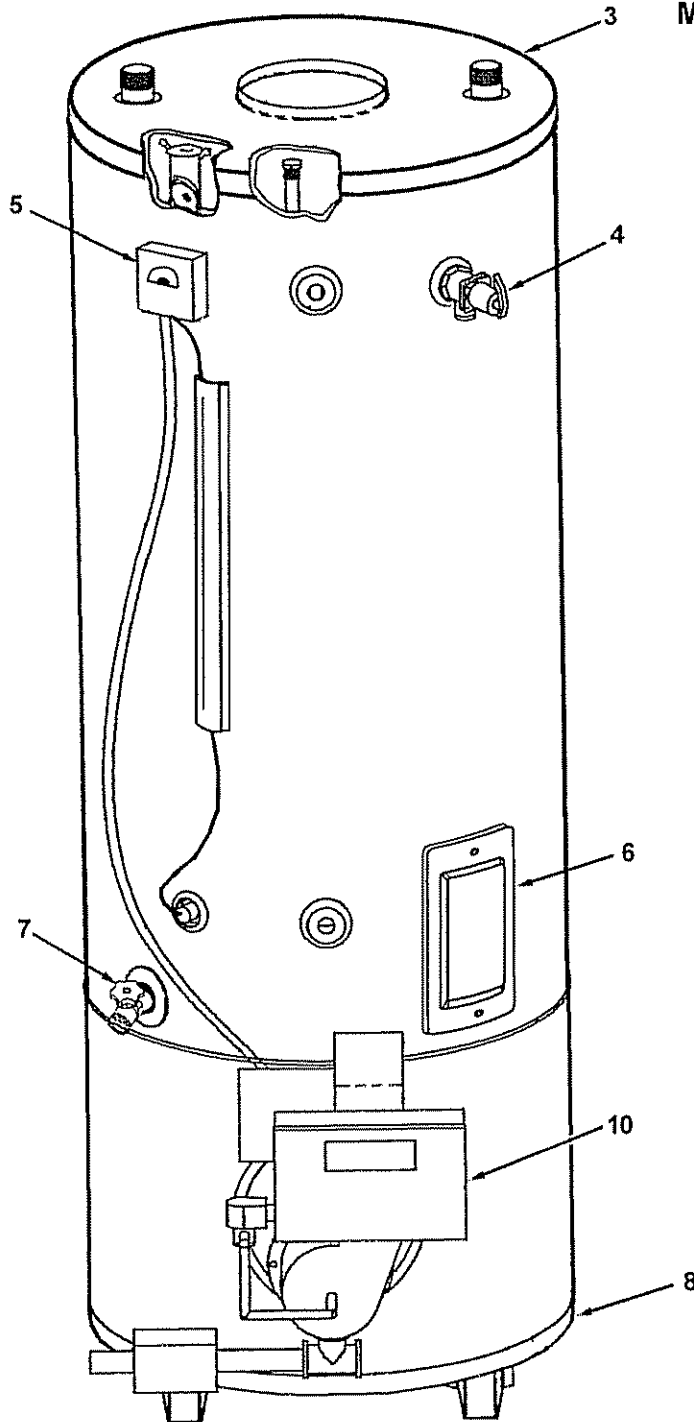


REPLACEMENT PARTS LIST

MODELS GPG/GPV-540A THRU 740A
SERIES 104



(Part numbers are listed on page 35)

STATE WATER HEATERS

500 Lindahl Parkway, Ashland City, TN 37015
Phone: 1-800-821-2017 • Fax: 1-800-6449306
website: www.statewaterheaters.com

PART LIST FOR PAGE 34

Item	Description	GPG-540A	GPG-650A	GPG-740A
1	Anode, Plug	183523-48(4)	183523-48(4)	83523-48(4)
2	Baffle, Flue	194974(16)	194974(16)	194974(16)
3	Cover, Jacket	195046	195046	195046
4	Valve, Relief	99465-3	99465-3	99465-3
5	Thermostat WE C O	192828	192828	192828
6	Cover, Front	181260	181260	181260
7	Valve, Drain	26273-6	26273-6	26273-6
8	Jacket Base	195045	195045	195045
10	Burner Assembly	195036-2	195036-1	195036
11	Cleanout Assembly (includes the following items)			
11A	Cleanout Cover	99037	99037	99037
11B	Gasket	99038	99038	99038
11C	Screw - Thread Rolling	69852-1	69852-1	69852-1
12	Barometric Draft Control	170777-5	170777-5	170777-5

Item	Description	GPV-540A	GPV-650A	GPV-740A
1	Anode, Plug	183523-48(4)	183523-48(4)	83523-48(4)
2	Baffle, Flue	194974(16)	194974(16)	194974(16)
3	Cover, Jacket	195046	195046	195046
4	Valve, Relief	99465-3	99465-3	99465-3
5	Thermostat WE C O	192828	192828	192828
6	Cover, Front	181260	181260	181260
7	Valve, Drain	26273-6	26273-6	26273-6
8	Jacket Base	195045	195045	195045
9	GPV Vent Kit (includes the following items. 2 pieces of hood required for direct vent)	192049-1	192049	192049
9A	Hood, Vent - Side Wall		191235	191235
9B	Reducer - Flue	191981	191981	191981
10	Burner Assembly	196795-2	196795-1	196795
11	Cleanout Assembly (includes the following items)			
11A	Cleanout Cover	99037	99037	99037
11B	Gasket	99038	99038	99038
11C	Screw - Thread Rolling	69852-1	69852-1	69852-1

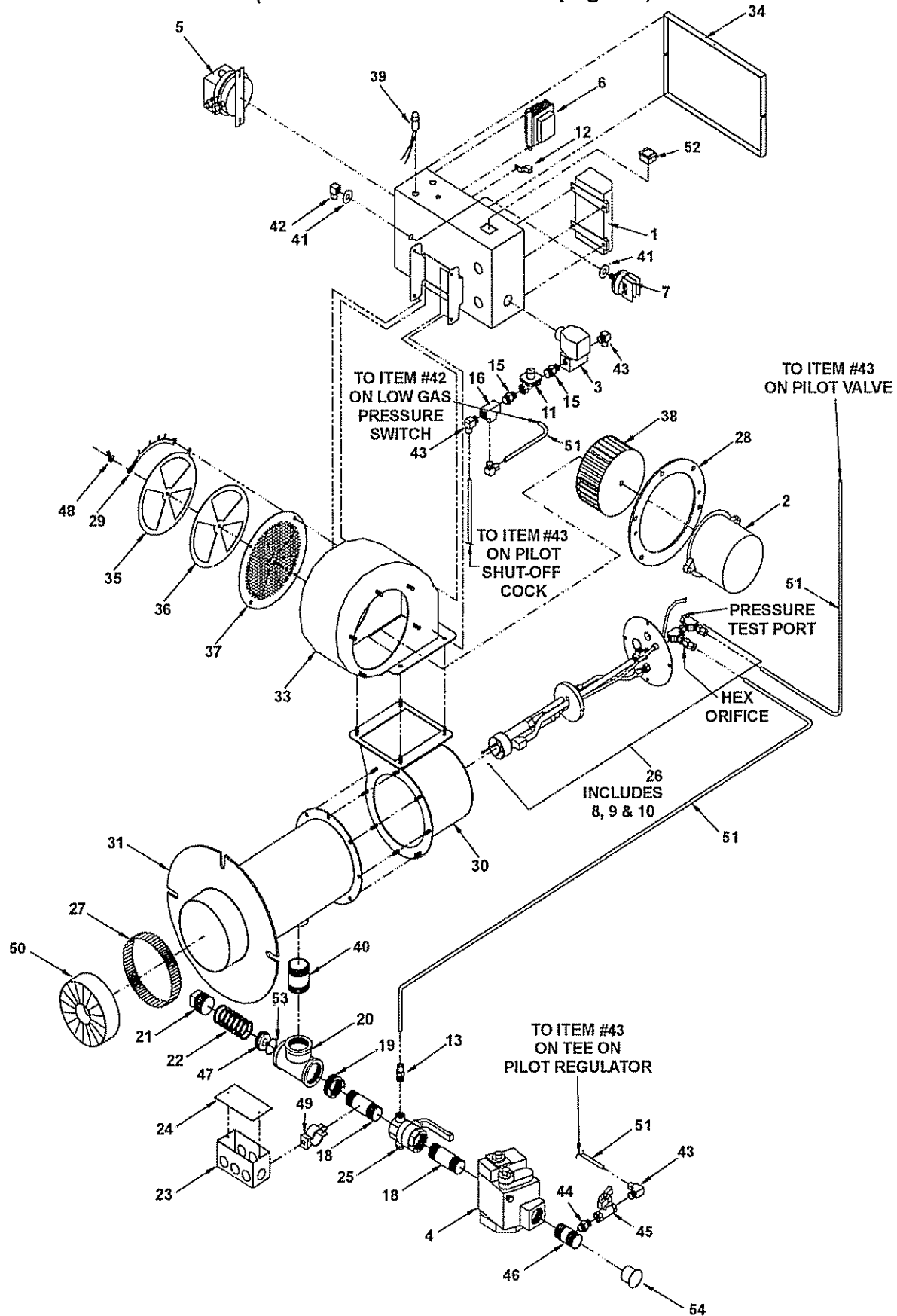
*Items not illustrated

Quantities, if more than one, shown in parenthesis next to part number

Part numbers underlined are recommended stock items for emergency replacement.

GPG BURNER ASSEMBLY

(Part numbers are listed on page 37)

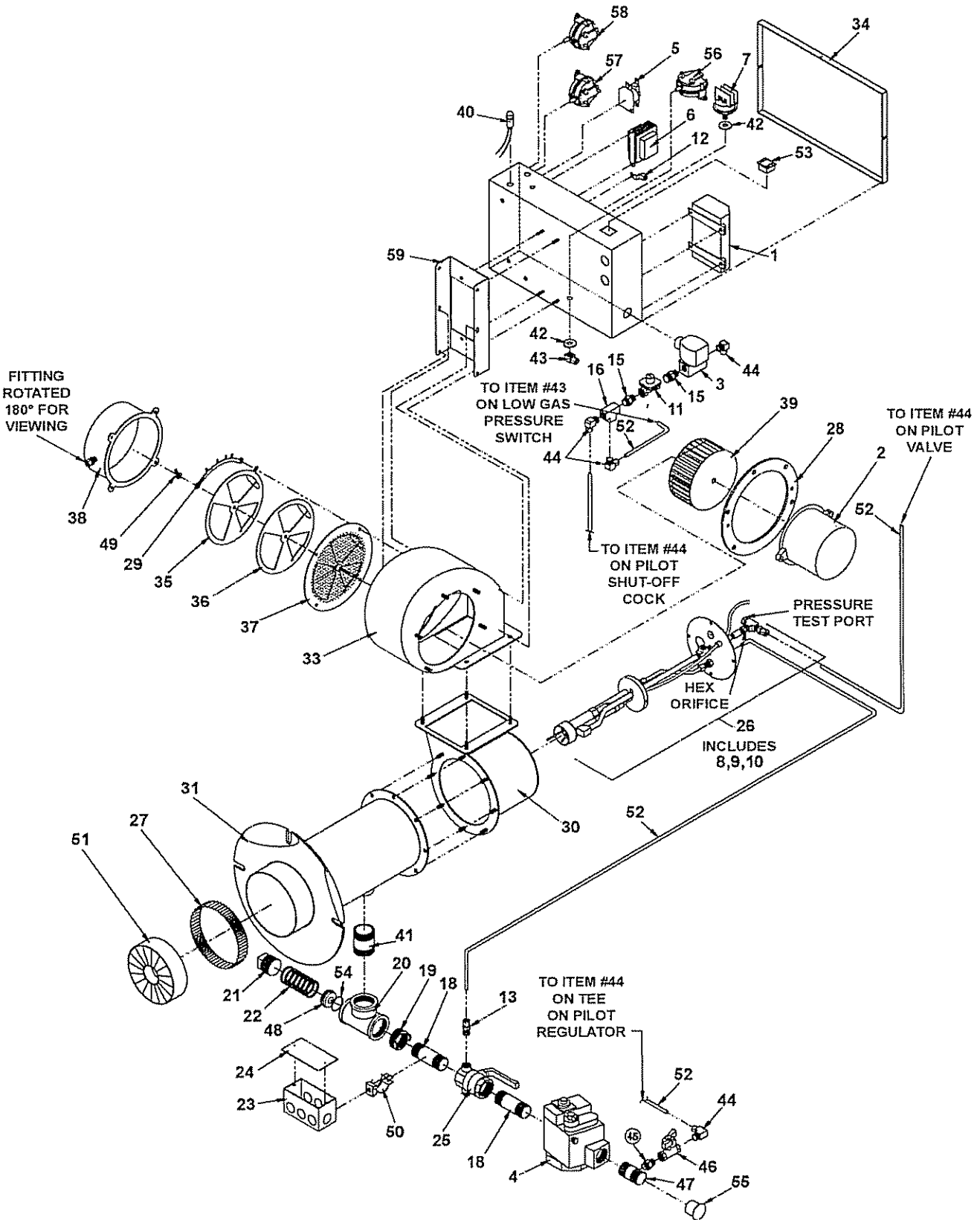


PART LIST FOR BURNER (see drawing on page 36)

Item	Description	GPG-540A	GPG-650A	GPG-740A
1	Ignition Control	6207	6207	6207
2	Motor - 1/4 HP 3450 RPM	6207-1	6207-1	6207-1
3	Valve 24/60	6207-2	6207-2	6207-2
4	Gas Valve	6207-4	6207-4	6207-4
5	Air Switch	6207-5	6207-5	6207-5
6	Transformer 120/24	6207-6	6207-6	6207-6
7	Low Gas Pressure Switch	6207-8	6207-8	6207-8
8	Flame Rod	6207-9	6207-9	6207-9
9	Igniter	6207-10	6207-10	6207-10
10	Thermostat	6207-11	6207-11	6207-11
11	Regulator 3/8"	6207-12	6207-12	6207-12
12	Grounding Lug	6207-13	6207-13	6207-13
13	Std Hardware - Purchase Locally	-----	-----	-----
14	Tubing - 3/8 X 1/4	6207-14	6207-14	6207-14
15	Brass Reducer 3/8 X 1/4	6207-15	6207-15	6207-15
16	Brass Tee - 1/4"	6207-47	6207-47	6207-47
17	Brass Tube 1/4 X 1/8	6207-17	6207-17	6207-17
18	Std Hardware - Purchase Locally (2)	-----	-----	-----
19	Std Hardware - Purchase Locally	-----	-----	-----
20	Std Hardware - Purchase Locally	-----	-----	-----
21	Pipe Plug 1 1/4" Drilled & Tapped	6207-18	6207-18	6207-18
22	Orifice Spring	6207-19	6207-19	6207-19
23	Junction Box	6207-20	6207-20	6207-20
24	Junction Box Cover	6207-21	6207-21	6207-21
25	Ball Valve - 1"	6207-22	6207-22	6207-22
26	Pilot Ass'y (Includes Items 8, 9 & 10)	6207-23	6207-23	6207-23
27	Air Staging Band	6207-24	6207-24	6207-24
28	Frame Motor Plate	6207-25	6207-25	6207-25
29	Damper Stop	6207-26	6207-26	6207-26
30	90 Degree Adapter Ass'y	6207-27	6207-27	6207-27
31	Housing Ass'y	6207-28	6207-28	6207-28
32	Back Mount Panel Ass'y	6207-29	6207-29	6207-29
33	Premix Air Housing Wheel	6207-30	6207-30	6207-30
34	Panel Box Door	6207-31	6207-31	6207-31
35	Pie Damper Inner Plate	6207-32	6207-32	6207-32
36	Pie Damper Middle Plate	6207-33	6207-33	6207-33
37	Outer Pie Damper	6207-34	6207-34	6207-34
38	Wheel	6207-36	6207-36	6207-36
39	Amber Light	6207-37	6207-37	6207-37
40	Std Hardware - Purchase Locally	-----	-----	-----
41	Flat Washers, 3/8"	6207-49	6207-49	6207-49
42	Tubing to FP 90° 70-42, 1/4" X 1/8"	6207-50	6207-50	6207-50
43	EI Fitting 1/4 X 1/8	6207-40	6207-40	6207-40
44	Hex Nipple, 1/4"	6207-51	6207-51	6207-51
45	Ball Valve, Model 740, 1/4"	6207-52	6207-52	6207-52
46	Std Hardware - Purchase Locally	-----	-----	-----
47	Orifice - Aluminum 1 1/4"	6207-42	6207-42	6207-42
48	Std Hardware - Purchase Locally	-----	-----	-----
49	Conduit Clamp	6207-43	6207-43	6207-43
50	Premix Diffuser Ass'y	6207-53	6207-53	6207-53
51	Pilot Tubing (3)	6207-54	6207-54	6207-54
52	Rocker Switch	6207-46	6207-46	6207-46
53	O Ring Seal	6207-55	6207-55	6207-55
54	Plastic Cap, SC-1 1" Pipe	6207-56	6207-56	6207-56

GPV BURNER ASSEMBLY

(Part numbers are listed on page 39)



PART LIST FOR BURNER (see drawing on page 38)

Item	Description	GPV-540A	GPV-650A	GPV-740A
1	Ignition Control	6207	6207	6207
2	Motor - 1/4 HP 3450 RPM	6207-1	6207-1	6207-1
3	Valve 24/60	6207-2	6207-2	6207-2
4	Gas Valve	6207-4	6207-4	6207-4
5	Thermodisk Relay	12S10	12S10	12S10
6	Transformer 120/24	6207-6	6207-6	6207-6
7	Low Gas Pressure Switch	6207-8	6207-8	6207-8
8	Flame Rod	6207-9	6207-9	6207-9
9	Igniter	6207-10	6207-10	6207-10
10	Thermostat	6207-11	6207-11	6207-11
11	Regulator 3/8"	6207-12	6207-12	6207-12
12	Grounding Lug	6207-13	6207-13	6207-13
13	Std Hardware - Purchase Locally	-----	-----	-----
14	Tubing - 3/8 X 1/4	6207-14	6207-14	6207-14
15	Brass Reducer 3/8 X 1/4	6207-15	6207-15	6207-15
16	Brass Tee - 1/4"	6207-47	6207-47	6207-47
17	Brass Tube 1/4 X 1/8	6207-17	6207-17	6207-17
18	Std Hardware - Purchase Locally (2)	-----	-----	-----
19	Std Hardware - Purchase Locally	-----	-----	-----
20	Std Hardware - Purchase Locally	-----	-----	-----
21	Pipe Plug 1 1/4" Drilled & Tapped	6207-18	6207-18	6207-18
22	Orifice Spring	6207-19	6207-19	6207-19
23	Junction Box	6207-20	6207-20	6207-20
24	Junction Box Cover	6207-21	6207-21	6207-21
25	Ball Valve - 1"	6207-22	6207-22	6207-22
26	Pilot Ass'y (Includes Items 8, 9 & 10)	6207-23	6207-23	6207-23
27	Air Staging Band	6207-24	6207-24	6207-24
28	Frame Motor Plate	6207-25	6207-25	6207-25
29	Damper Stop	6207-26	6207-26	6207-26
30	90 Degree Adapter Ass'y	6207-27	6207-27	6207-27
31	Housing Ass'y	6207-28	6207-28	6207-28
32	Back Mount Panel Ass'y	6207-29	6207-29	6207-29
33	Premix Air Housing Wheel	6207-30	6207-30	6207-30
34	Panel Box Door	6207-31	6207-31	6207-31
35	Pie Damper Inner Plate	6207-32	6207-32	6207-32
36	Pie Damper Middle Plate	6207-33	6207-33	6207-33
37	Outer Pie Damper	6207-34	6207-34	6207-34
38	Air Intake Kit	6207-48	6207-48	6207-48
39	Wheel	6207-36	6207-36	6207-36
40	Amber Light	6207-37	6207-37	6207-37
41	Std Hardware - Purchase Locally	-----	-----	-----
42	Flat Washers, 3/8"	6207-49	6207-49	6207-49
43	Tubing to FP 90° 70-42, 1/4" X 1/8"	6207-50	6207-50	6207-50
44	El Fitting 1/4 X 1/8	6207-40	6207-40	6207-40
45	Hex Nipple, 1/4"	6207-51	6207-51	6207-51
46	Ball Valve, Model 740, 1/4"	6207-52	6207-52	6207-52
47	Std Hardware - Purchase Locally	-----	-----	-----
48	Orifice - Aluminum 1 1/4"	6207-42	6207-42	6207-42
49	Std Hardware - Purchase Locally	-----	-----	-----
50	Conduit Clamp	6207-43	6207-43	6207-43
51	Premix Diffuser Ass'y	6207-53	6207-53	6207-53
52	Pilot Tubing (3)	6207-54	6207-54	6207-54
53	Rocker Switch	6207-46	6207-46	6207-46
54	O Ring Seal	6207-55	6207-55	6207-55
55	Plastic Cap, SC-1 1" Pipe	6207-56	6207-56	6207-56
56	IS2 Air Switch, +0 3" (Blocked Flue)	171040	171040	171040
57	IS2 Air Switch, +0 9" (Blower Proof)	171080	171080	171080
58	IS2 Air Switch, -0 3" (Air Intake)	171070	171070	171070
59	NPM Panel Bracket	K10304	K10304	K10304

STATE WATER HEATERS

500 Lindahl Parkway, Ashland City, TN 37015
 Phone: 1-800-821-2017 • Fax: 1-800-6449306
 website: www.statewaterheaters.com

Free Manuals Download Website

<http://myh66.com>

<http://usermanuals.us>

<http://www.somanuals.com>

<http://www.4manuals.cc>

<http://www.manual-lib.com>

<http://www.404manual.com>

<http://www.luxmanual.com>

<http://aubethermostatmanual.com>

Golf course search by state

<http://golfingnear.com>

Email search by domain

<http://emailbydomain.com>

Auto manuals search

<http://auto.somanuals.com>

TV manuals search

<http://tv.somanuals.com>