

SANDBLASTER® BOOSTER MODELS

Self-Cleaning Commercial Gas Water Heaters

Sandblaster® Booster commercial gas water heaters are designed to provide high temperature water (usually 180°F) to commercial dishwashers. In these applications, the booster water heater is installed in conjunction with a standard water heater, which delivers lower-temperature water to serve the non-dishwashing needs of a restaurant or other foodservice application.



State Hydro Cannon™ Self-Cleaning Device

- Significantly reduces buildup of lime, sand and other sediment in the tank
- Helps water heaters retain their rated efficiency longer and last longer, with low water heating costs

Induced-Draft Design

- Built-in blower produces power-induced draft of makeup air prior to burner ignition, for more efficient control of heat through the flue collector
- Eliminates performance problems caused by negative indoor air pressure
- Requires no draft hood or barometric damper

Rated as Category 1 Appliance

- Can be commonly vented with other Category 1 appliances, using standard metal type "B" vent

Multiple Anode Rods

- Protects tank from corrosion

Three Water Connection Options

- Hot and cold water connections can be made through top, front or rear of water heater
- Hydro Cannon device operates when front cold water connection is used

Intermittent Electronic Ignition

- Provides flame failure response in less than one second
- Includes power ON/OFF switch
- Eliminates standing pilot

Factory-installed Temperature and Pressure Relief Valve

Maximum Hydrostatic Working Pressure: 160 psi

80% Thermal Efficiency

Meets ASHRAE/IESNA 90.1-1999

- Also, design-certified by CSA International, according to to ANS Z21.10.3 standards governing storage-type water heaters

For more information on the Sandblaster® contact:
 State Water Heaters
 500 Tennessee Waltz Parkway, Ashland City, TN 37015
 800-365 0024 Toll-free USA
 www.statewaterheaters.com

SOLID.STATE.



SANDBLASTER® BOOSTER MODELS

Self-Cleaning Commercial Gas Water Heaters

CAPACITY, INPUT AND OUTPUT

MODEL NUMBER	GAL CAP.	INPUT PER HOUR NATURAL/PROPANE	FIRST HOUR RATING 100°F RISE	RECOVERY - GALLONS PER HOUR AT °F TEMPERATURE RISE		
				40°	100°	140°
SBD30 150 NE	32	150,000	167	364	145	104
SBD30 199 NE	32	199,000	216	485	194	139

DIMENSIONS AND WEIGHT

MODEL NUMBER	DIMENSIONS IN INCHES								GAS CONN.	WATER CONN.	APPROX. SHIPPING WEIGHT (LBS.)
	A	B	C	D	E	F	G	H			
SBD30 150 NE	45	40	27-3/4	32-1/4	15-3/4	5	6-1/2	6	3/4"	1-1/2"	400
SBD30 199 NE	45	40	27-3/4	32-1/4	15-3/4	5	6-1/2	6	3/4"	1-1/2"	400

SUGGESTED SPECIFICATION

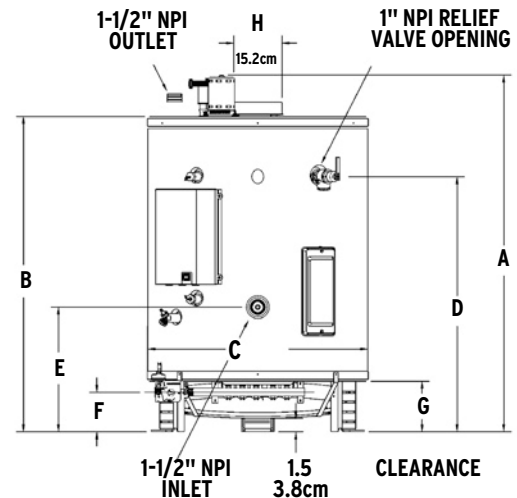
Gas booster water heater(s) shall be State Sandblaster, Model Number _____, with a 32-gallon storage capacity, an input rate of _____ BTU/HR, _____ gas, and a recovery rate of _____ gallons per hour at a _____ degree Fahrenheit temperature rise, and a maximum hydrostatic working pressure of 160 psi.

Unit(s) shall have a fan-assisted combustion system, providing a power-induced draft of makeup air prior to burner ignition. Unit(s) shall be equipped with intermittent electronic ignition with power on/off switch, which shall provide flame failure response in less than one second. The burner for the unit(s) shall be easily removable. Unit(s) shall be equipped with a factory-installed temperature and pressure relief valve, and a 2-3/4" x 3-3/4" tank inspection port.

The water heater tank shall be glass-lined and protected against premature failure in the following ways:

1. Against electrolytic corrosion by multiple, factory-installed anode rods.
2. Against failure due to overheating caused by the buildup of scale, film and other sediment by a self-cleaning device, positioned inside the tank so that it directs the flow of inlet water in such a way that microscopic particles of precipitated solids shall be kept in suspension and exhausted from the water heater on that or successive hot water draws.

Unit(s) shall meet or exceed ASHRAE/IESNA 90.1-1999, and be design-certified by CSA International, according to ANS Z21.10.3 standards governing storage-type water heaters.



For complete information on limited warranties, consult written warranty, or contact the State Customer Care Center, 1-800-365-0024.

State Industries reserves the right to make product changes or improvements without prior notice.

For more information on the SandBlaster® contact:
 State Water Heaters
 500 Tennessee Waltz Parkway, Ashland City, TN 37015
800-365-0024 Toll-free
www.statewaterheaters.com

SOLID.STATE.



Free Manuals Download Website

<http://myh66.com>

<http://usermanuals.us>

<http://www.somanuals.com>

<http://www.4manuals.cc>

<http://www.manual-lib.com>

<http://www.404manual.com>

<http://www.luxmanual.com>

<http://aubethermostatmanual.com>

Golf course search by state

<http://golfingnear.com>

Email search by domain

<http://emailbydomain.com>

Auto manuals search

<http://auto.somanuals.com>

TV manuals search

<http://tv.somanuals.com>