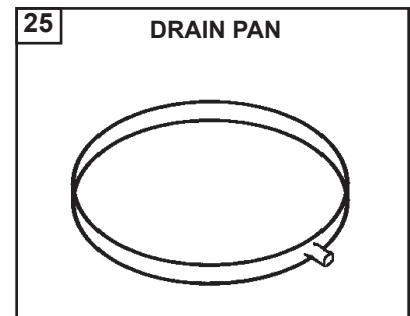
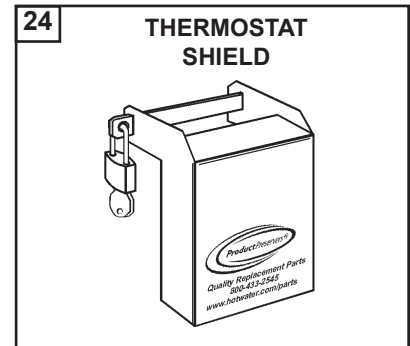
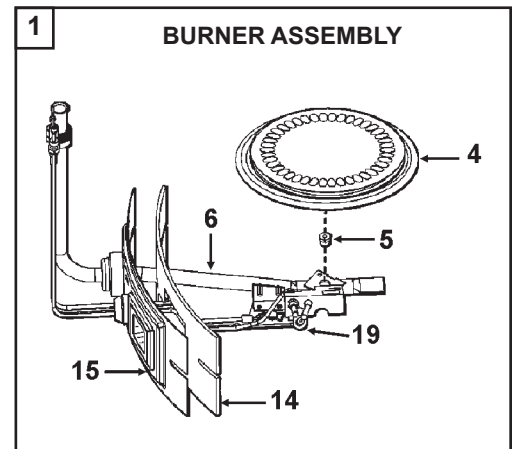
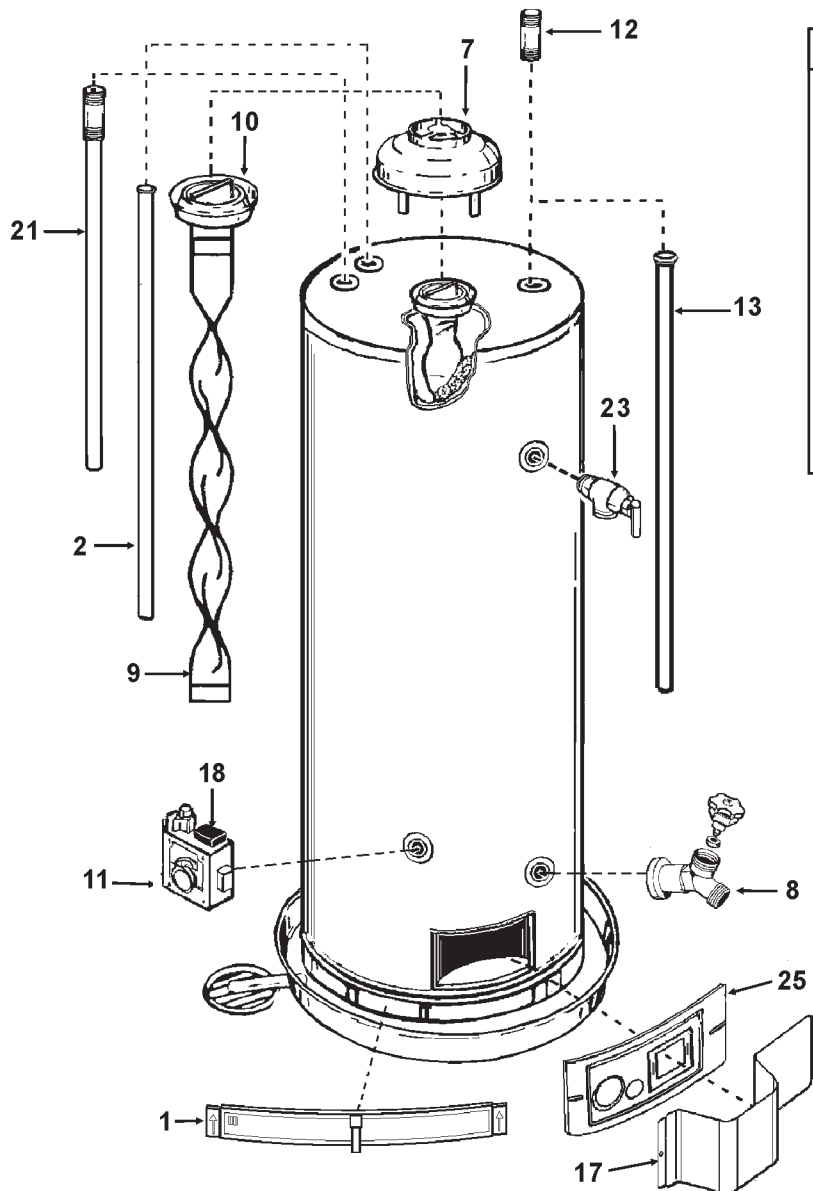


State Water Heater Parts Fulfillment
125 Southeast Parkway • Franklin, TN 37068
www.statewaterheaters.com • 1-800-821-2017

MODELS: SBS 65 65N
200/201 SERIES



Item	Description	
1.....	Air Intake Screen.....	9003406
2.....	Anode Rod.....	9003892
3.....	Burner Assembly - Natural Gas.....	9006345
3.....	Burner Assembly - Propane Gas.....	9006406
4.....	Burner Head w/Door Insulation - Natural Gas.....	9006076
4.....	Burner Head w/Door Insulation - Propane Gas.....	9003633
5.....	Burner Orifice w/Door Insulation - Natural Gas.....	9002978
5.....	Burner Orifice w/Door Insulation - Propane Gas.....	9006429
6.....	Burner Tube w/Rubber Boot & Door Insulation - Natural Gas.....	9006346
6.....	Burner Tube w/Rubber Boot & Door Insulation - Propane Gas.....	9006408
7.....	DraftHood.....	9004010
8.....	Drain Valve - Brass.....	9001870
8.....	Drain Valve - Plastic.....	9000058
9.....	Flue Baffle Assembly.....	9006347
10.....	Flue Restrictor.....	9003524
11.....	Gas Control Valve - Natural Gas.....	9006410
11.....	Gas Control Valve - Propane Gas.....	9006411
12.....	Heat Trap Assembly.....	9003719
13.....	Inlet Tube Assembly - Diffuser.....	9006409
14.....	Inner Door Gasket.....	700681
15.....	Inner Door w/Door Insulation.....	9006318
16*	Instruction Manual.....	197942-000
17.....	Outer Door.....	9003545
18.....	Piezo Igniter Assembly.....	9003410
19.....	Pilot Assembly w/Grommet & Door Insulation - Natural Gas.....	9003542
19.....	Pilot Assembly w/Grommet & Door Insulation - Propane Gas.....	9003455
20*	Pipe Insulation.....	9002445
21.....	Secondary Anode w/Heat Trap - Aluminum (optional).....	NA
21.....	Secondary Anode w/Heat Trap - Magnesium (optional).....	NA
22*	Temperature-Pressure Relief Valve Insulation.....	9003716
23.....	Temperature-Pressure Relief Valve.....	9000071
24.....	Thermostat Shield (optional).....	9003696
25.....	ViewPort Assembly.....	9003414
26.....	20" Dia. Aluminum Drain Pan w/Side Drain (optional).....	23912-A
26.....	22" Dia. Aluminum Drain Pan w/Side Drain (optional).....	23913-A
26.....	28" Dia. Aluminum Drain Pan w/Side Drain (optional).....	23914-A

* Not Illustrated

Free Manuals Download Website

<http://myh66.com>

<http://usermanuals.us>

<http://www.somanuals.com>

<http://www.4manuals.cc>

<http://www.manual-lib.com>

<http://www.404manual.com>

<http://www.luxmanual.com>

<http://aubethermostatmanual.com>

Golf course search by state

<http://golfingnear.com>

Email search by domain

<http://emailbydomain.com>

Auto manuals search

<http://auto.somanuals.com>

TV manuals search

<http://tv.somanuals.com>