

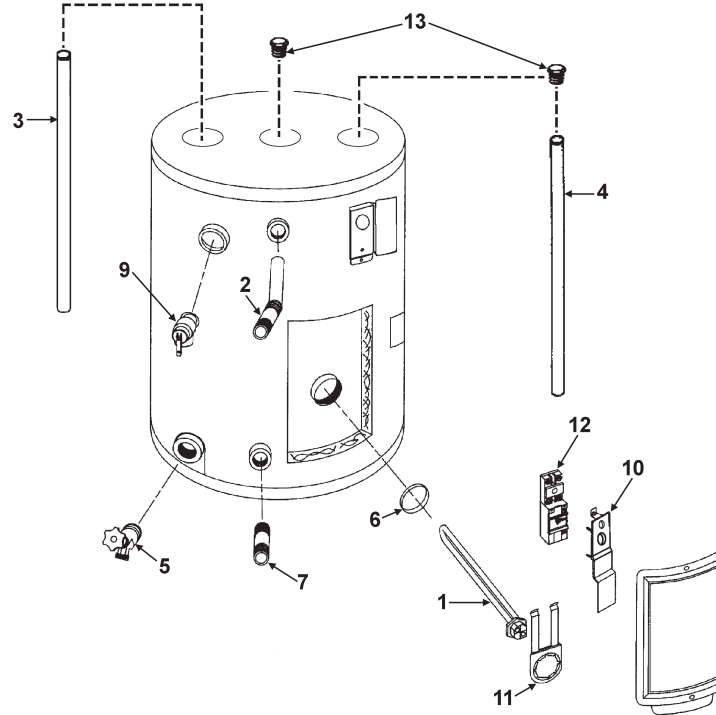


# RESIDENTIAL ELECTRIC SERVICE PARTS LIST

**SCOUT MH  
MODELS:**

**SCI 6 SOMS, SCI 10 SOMS,  
SCI 20 SOMS, SCI 20 SOMET**

State Water Heater Parts Fulfillment  
125 Southeast Parkway • Franklin, TN 37068  
www.statewaterheaters.com • 1-800-821-2017



Gallage		6	10	19 (20S)	19.9 (20T)
Item	Description	SCI 6 SOMS	SCI 10 SOMS	SCI 20 SOMS	SCI 20 SOMET
1	Element 1650W/120V	9002072	9002072	9002072	9002072
1	Element 240V	9003955 3000W	9005264 4500W	9005264 4500W	9005264 4500W
2	Outlet Nipple	9001494	9006294	9006294	9006294
3	Anode Rod	9003942	9003942	9003944	9003944
4	Inlet Tube	9006297	-----	9006296	9003663

Standard Items on All Models		
Item	Description	Part Number
5	Drain Valve	9004330
6	Element Gasket	9000308
7	Inlet Nipple 2-1/2"	9003976
*8	Manual	185764-000
9	Temperature-Pressure Relief Valve	9003484
10	Terminal Cover	9002853
11	Thermostat Bracket	9006298
12	Thermostat w/Hi Limit	9000509
**13	Plug 3/4" - 14 NPT	9001327

\*Not illustrated \*\*Also available at most hardware stores

State Water Heater Parts Fulfillment • phone: 1-800-821-2017 • www.statewaterheaters.com

## Free Manuals Download Website

<http://myh66.com>

<http://usermanuals.us>

<http://www.somanuals.com>

<http://www.4manuals.cc>

<http://www.manual-lib.com>

<http://www.404manual.com>

<http://www.luxmanual.com>

<http://aubethermostatmanual.com>

Golf course search by state

<http://golfingnear.com>

Email search by domain

<http://emailbydomain.com>

Auto manuals search

<http://auto.somanuals.com>

TV manuals search

<http://tv.somanuals.com>