

Service Instructions for DC Arc Suppression Module Kit

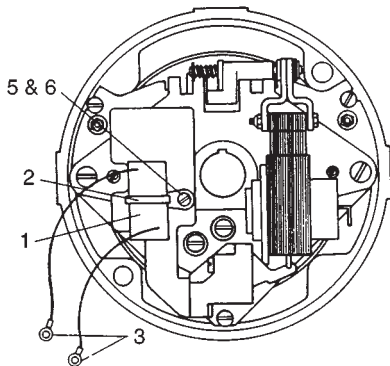
Series 55,X00; 57,500; 87,X00; 81,X00; 82,X00 and 86,X00 Disc Brakes

Note: Two kits are required on 86,X00 Series

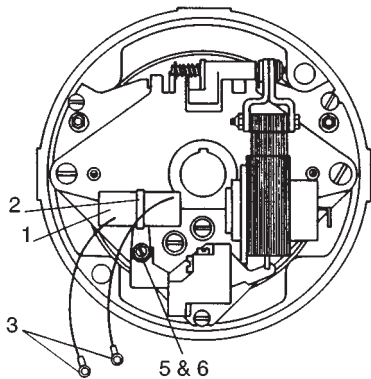
Table: Components

Item No.	Item Description	Qty.
1	Arc suppression module	1
2	Cable strap	1
3	Terminal connector	2
4	Cap screw, #10-24 x 5/8	1
5	Machine screw, #6-32 x 3/8	1
6	Flat washer #6	1

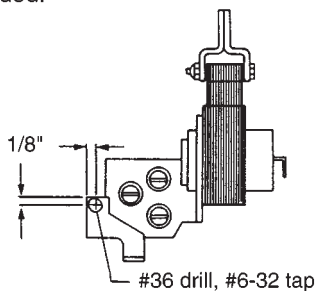
55,000; 55,200; 55,400; 55,500 and 57,500 Series (existing lower right hand #6-32 tapped hole of solenoid frame bracket is utilized)



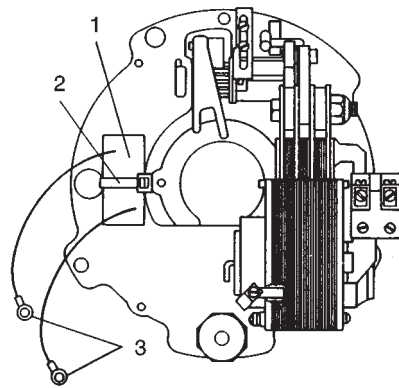
55,700 Series



55,700 Series solenoid frame bracket. Drill and tap location to mount internal arc suppression module, if not provided.

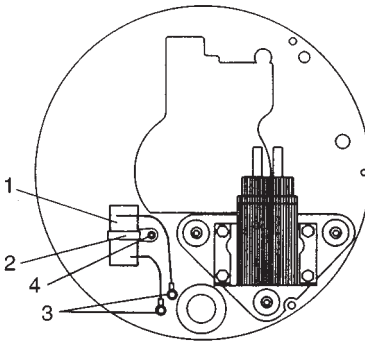


87,X00 Series



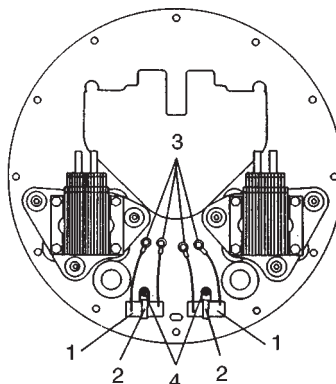
81,X00 and 82,X00 Series

(existing #10-24 tapped hole is utilized where shown)



86,X00 Series

(existing #10-24 tapped holes are utilized where shown)



Important

Please read these instructions carefully before servicing your Stearns brake. Failure to comply with these instructions could cause injury to personnel and/or damage to property if the brake is serviced or operated incorrectly.

For definition of limited warranty/liability, contact Rexnord Industries, Inc., Stearns Division, 5150 S. International Dr., Cudahy, Wisconsin 53110, (414) 272-1100.

Caution

1. Servicing shall be in compliance with applicable local safety codes including Occupational Safety and Health Act (OSHA). All wiring and electrical connections must comply with the National Electric Code (NEC) and local electric codes in effect.
2. To prevent an electrical hazard, disconnect power source before working on the brake. If power disconnect point is out of sight, lock disconnect in the off position and tag to prevent accidental application of power.
3. Be careful when touching the exterior of an operating brake. Allow sufficient time for the brake to cool before disassembly. Surfaces may be hot enough to be painful or cause injury.
4. Do not operate brake with housing removed. All moving parts should be guarded.
5. After usage, the brake interior will contain burnt and degraded friction material dust. This dust must be removed before servicing or adjusting the brake.
 - DO NOT BLOW OFF DUST using an air hose. It is important to avoid dispersing dust into the air or inhaling it, as this may be dangerous to your health.
 - a) Wear a filtered mask or a respirator while removing dust from the inside of a brake.
 - b) Use a vacuum cleaner or a soft brush to remove dust from the brake. When brushing, avoid causing the dust to become airborne. Collect the dust in a container, such as a bag, which can be sealed off.
6. Maintenance should be performed only by qualified personnel familiar with the construction and operation of the brake.
7. For proper performance and operation, only genuine Stearns parts should be used for repairs and replacements.

Warning! Any mechanism or load held in position by the brake should be secured to prevent possible injury to personnel or damage to equipment before any disassembly of the brake is attempted or before the manual release knob or lever is operated on the brake.

Instructions: Housing Removal

1. To remove housing, follow instructions listed for the appropriate brake series.
2. The arc suppression module kit is a direct replacement for capacitor and mounting plate assembly or existing arc suppression module.

Observe the style of brake you have and follow the method of installation shown in the appropriate figure.

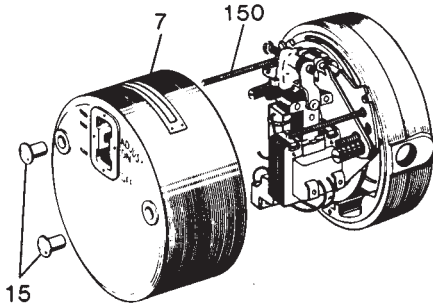
Note on the 55,700 Series, the capacitors had to be remotely mounted. Remove them and the wiring from them to the brake.

3. **Connection:** The two leads of the arc suppression module are to be connected to the two terminal screws of the DC switch in parallel with the two leads from the coil. Polarity is immaterial.

4. Reassemble housing, etc. in reverse order of the appropriate Section of Step 1.

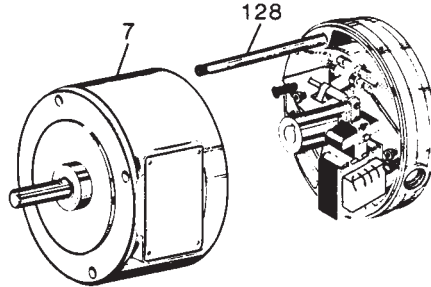
NOTE: For complete instructions, with troubleshooting, request sheet applicable to the series of brake that you have.

55,000 Series



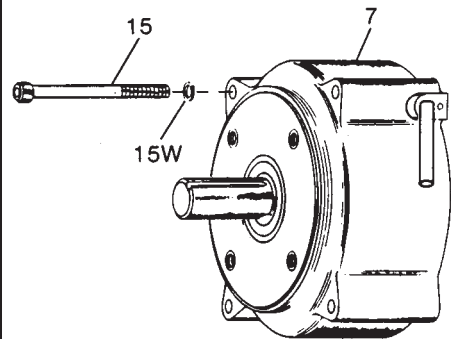
Remove housing nuts (15) by unscrewing from housing studs (150). Remove housing (7) by pulling back.

55,700 Series



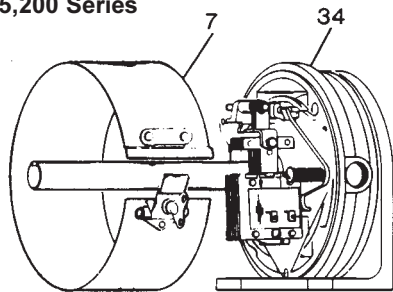
- a) Remove housing (7) by unscrewing nuts from the four mounting studs (128) that protrude through the reducer flange.
- b) Grasp the coupler brake and motor as a unit and pull free from the reducer.
- c) Pull housing from the mounting studs (128). These studs are threaded into the C-face and should remain in place.

87,700 Series



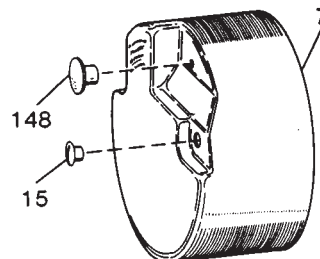
- a) Remove the brake and motor as a unit from the gear reducer.
- b) Remove four housing cap screws (15), lock washers (15W), housing (7) and shaft assembly by pulling back.

55,200 Series



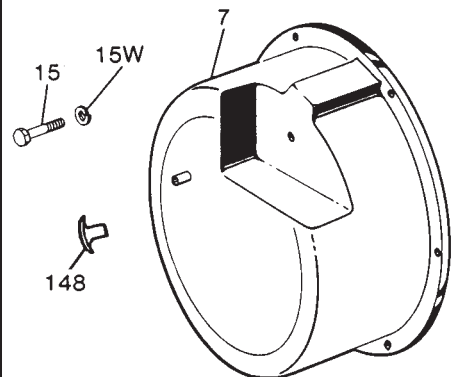
- a) Remove wraparound sheet metal housing (7) by turning wing-nut or latch counterclockwise until the latch releases.
- b) Open housing and slide over the brake or away from the floor stand (34).

87,000, 87,100 and 87,400 Series



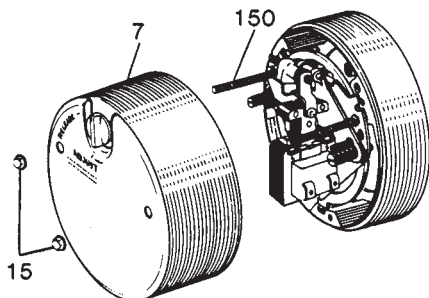
Remove manual release knob (148), two housing nuts (15), and housing (7) by pulling back.

81,X00, 82,X00 and 86,X00 Series



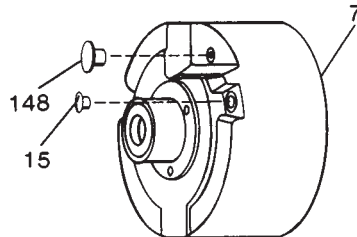
Remove manual release knob (148), two knobs on 86,X00. Remove all the housing screws (15) and washers (15W). Pull the housing (7) off.

55,500 and 57,500 Series



Remove housing nuts (15) by unscrewing from housing studs (150). Remove housing (7) by pulling back.

87,200 Series



- a) Remove any accessories, sprockets, sheaves, etc. from brake shaft on housing side.
- b) Remove manual release knob (148), two housing nuts (15), and housing (7) by pulling back.

Free Manuals Download Website

<http://myh66.com>

<http://usermanuals.us>

<http://www.somanuals.com>

<http://www.4manuals.cc>

<http://www.manual-lib.com>

<http://www.404manual.com>

<http://www.luxmanual.com>

<http://aubethermostatmanual.com>

Golf course search by state

<http://golfingnear.com>

Email search by domain

<http://emailbydomain.com>

Auto manuals search

<http://auto.somanuals.com>

TV manuals search

<http://tv.somanuals.com>