



# LAWN SWEEPER

## Model LS340

Starting Serial No. 1001

### Owner/Operator's Manual & Illustrated Parts List



## CAUTION

Avoid injuries. Read and understand Operator's manual  
before operating tractor or equipment.  
It contains instructions for safe operation.

Form # 09-164



# CAUTION

- READ AND UNDERSTAND OPERATORS MANUAL BEFORE OPERATING OR SERVICING.
- OBEY ALL SAFETY INSTRUCTIONS. FAILURE TO DO SO MAY RESULT IN INJURY TO YOU OR OTHERS.
- BE SURE MACHINE IS IN SAFE OPERATING CONDITION BEFORE USE.
- INSPECT MACHINE DAILY. REPLACE ALL WORN OR DAMAGED PARTS.
- KEEP ALL GUARDS AND SHIELDS IN PLACE.
- CHECK OPERATION OF ALL SAFETY INTERLOCK SWITCHES DAILY.
- DO NOT OVERRIDE INTERLOCK SYSTEM, IT IS FOR YOUR PROTECTION.
- DO NOT ALLOW MINORS OR THE INEXPERIENCED TO OPERATE MACHINE.
- KEEP PEOPLE AND PETS A SAFE DISTANCE AWAY FROM MACHINE USING POWER DRIVEN ATTACHMENTS. INJURY COULD RESULT FROM FLYING DEBRIS.

Date of Purchase: Month \_\_\_\_\_ Day \_\_\_\_\_ Year \_\_\_\_\_

Dealer Name \_\_\_\_\_ Phone \_\_\_\_\_

Serial Number \_\_\_\_\_

Model Number \_\_\_\_\_

*ALWAYS GIVE MODEL AND SERIAL NUMBER WHEN ORDERING SERVICE PARTS*

**STEINER**  
**TEXTRON**

Steiner Division of Textron Inc.

STEINER TURF EQUIPMENT, INC.  
289 N. Kurzen Rd., P.O. Box 504  
Dalton, Ohio 44618

Telephone: (330) 828-0200  
FAX: (330) 828-1008

# TABLE OF CONTENTS

---

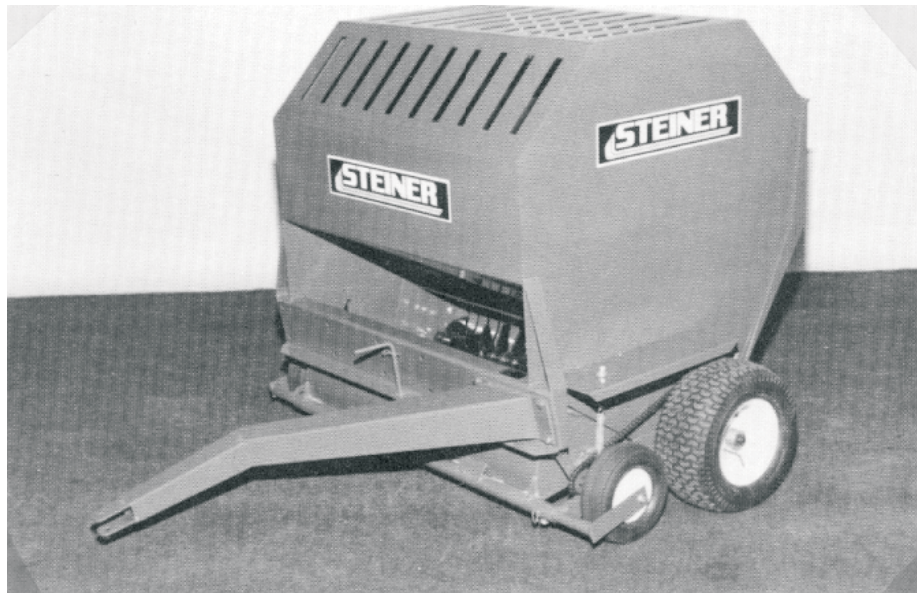
INTRODUCTION	SECTION 1	page
Description . . . . .		2
Specifications . . . . .		3
SAFETY	SECTION 2	
General Safety. . . . .		4
Operator Safety . . . . .		4
OPERATION	SECTION 4	
Operating Instructions . . . . .		5
SERVICE	SECTION 5	
Service Schedule . . . . .		6
PARTS	SECTION 6	
Parts List and Illustrations Index . . . . .		7
Warranty		

12

## Description

The Steiner Lawn Sweeper is designed to give a “clean sweep” in your lawn sweeping operations. The unit is ground-driven so it can be pulled by any lawn and garden tractor. It can be used to trail behind with offset hitch while mowing, or regular hitch to clean-up after you've finished mowing. The packing action allows you to put much more material into the unit before it is necessary to unload.

There is a transport position for the sweeper and clutch levers on each wheel to disengage the wheel clutches.



## Specifications

Overall width	62"
Overall height	52"
Overall length to hitch	66"
Width of pick up	40"
Brush	3 paddle, staggered
Depth wheels	Semi-pneumatic
Hitch	Right, left or center pull adjustment
Carrying capacity	24 cu. ft.
Weight	530 lb.





## BE ALERT!

---

**ATTENTION: This symbol identifies potential health and safety hazards. It marks safety precautions.**

**ATTENTION: Your safety is involved.**

### GENERAL SAFETY

---

1. Read and understand the owner's manual, before attempting to operate this machine.
2. Operate all controls from the operator's seat. **NO RIDERS.**
3. Keep all shields in place and safety switches adjusted properly.
4. Do not leave equipment unattended. **STOP** the engine and remove the key.
5. Do not allow minors or the inexperienced to operate this machine.
6. Keep people and pets a safe distance away from machine using power driven attachments. Injury could result from flying debris.

### OPERATING SAFETY

---

1. Remove large objects or debris from the path of the lawn sweeper..
2. Before leaving the tractor seat to clear blockage, service or make adjustments:
  1. **Set PARKING brake.**
  2. **Stop Engine.**
3. Disengage clutches and raise broom to transport position before transporting at high speed.

## Operating Instructions

- › 1. Determine hitch position for offset or straight pull position.
- › 2. Transport to clean-up site with the clutches disengaged and sweeper in transport position.
- › 3. Lower the sweeper housing and adjust sweeper height on right side of sweeper housing by choosing the pin location to regulate gauge wheel height. NOTE: Operation is best when the sweeper is approximately 1/2" below the tips of the grass, but does not "scrub" the lawn.
- › 4. Adjust the float springs allowing the sweeper to "float" over rough areas or high spots in the lawn.
- › 5. Engage clutches on both wheels by rotating the lever approximately 180 deg.
- › 6. When sweeping leaves - the best results are obtained by sweeping several times during the leaf fall rather than waiting until there is a large accumulation. A large accumulation will require several passes to make a clean sweep. **MAXIMUM SPEED IS 10 M.P.H.**
- › 7. Open rear door to unload.
- › 8. To transport - Always disengage wheel clutches and raise sweeper housing. **DO NOT TRAVEL AT HIGH SPEEDS WITH CLUTCHES ENGAGED! MAXIMUM SPEED IS 10 M.P.H.** NOTE: to disengage both wheels rotate each lever approximately 180 deg. You can feel a high spot when it is disengaged.



## Maintenance

### Daily

---

Visually check chain drive - it should not run "dry".  
Lube with chain lube or 30W oil

### Weekly or 50 Hours

---

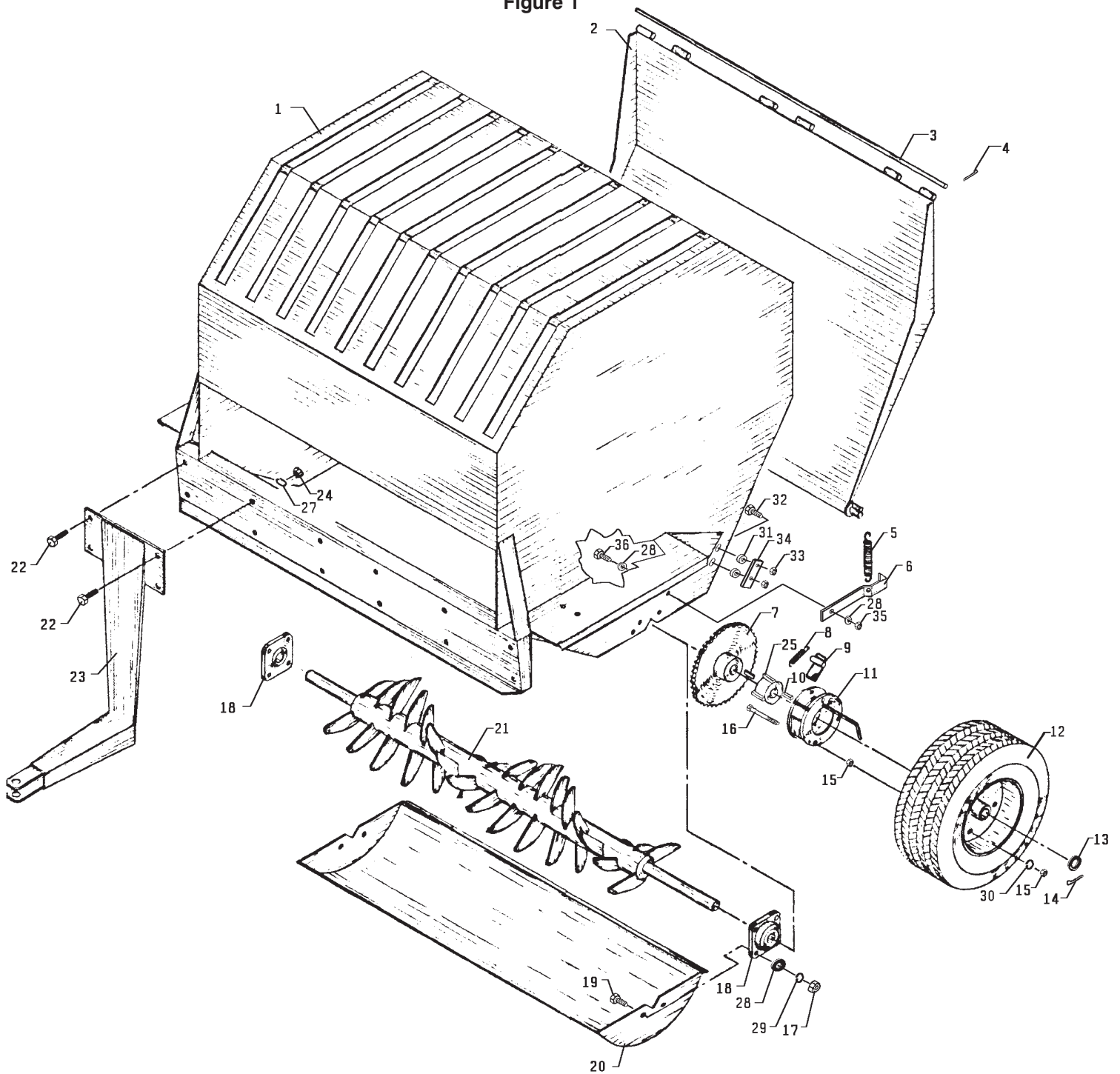
Grease all bearings and wheels.  
Check tire pressure (12 lbs.)



**Parts Index**

<u>GROUP</u>	<u>FIGURE</u>	<u>PAGE</u>
Main Parts . . . . .	Fig. 1 . . . . .	8
Brush Parts . . . . .	Fig. 2 . . . . .	10

Main Parts  
Figure 1

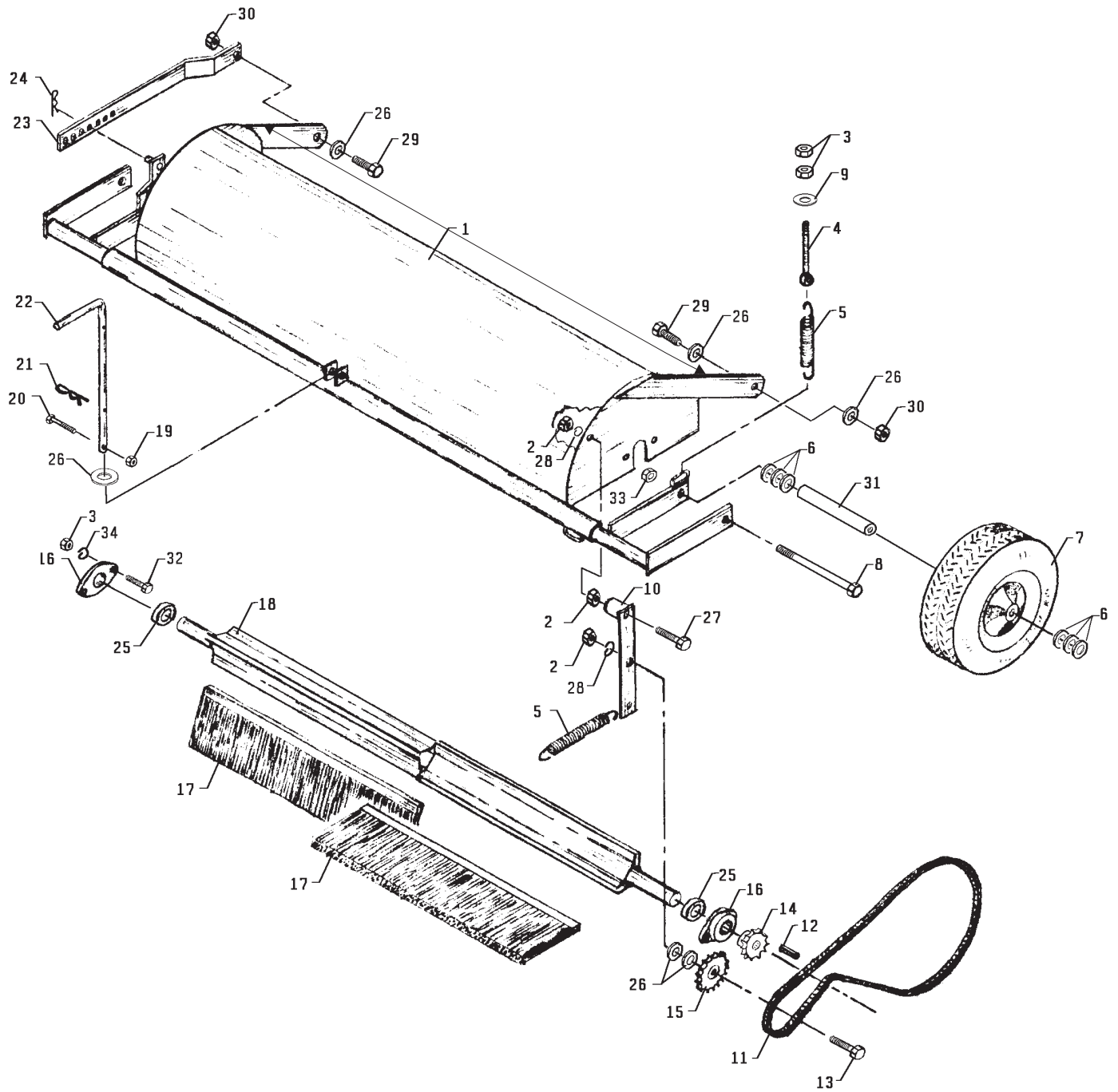


Parts List for Figure 1

Ref	Part no.	Description	Quantity
1	62-602	Main Frame	1
2	60-187	Door	1
3	42-205	Hinge Rod	1
4	02-CP0406	Cotter Pin, 1/8 x 3/4	2
5	41-010	Spring, 5"	2
6	40-114	Latch, Right	1
	40-115	Latch, Left	1
7	83-407016	Sprocket	1
8	41-013	Spring	2
9	86-020	Clutch Pawl, Right	1
	86-021	Clutch Pawl, Left	1
10	85-K0410	Key, 1/4 x 1-1/4	3
11	86-043	Clutch	2
12	50-030	Wheel & Tire Assembly	2
	53-089	Tire, 16 x 7.50 x 8, Turfsaver	1
	50-101	Rim	1
	55-IB-1	Bearing	1
*	29-053	Grease Fitting, 1/4-28 long	2
13	95-16	Flat Washer, 1" SAE	7
14	02-CP0612	Cotter Pin	2
15	92-05	Nut, 5/16	12
16	90-0528	Bolt, 5/16 x 3-1/2	6
17	92-06	Nut, 3/8	8
18	55-FB22016	Bearing	2
19	90-0610	Bolt, 3/8 x 1-1/4	8
20	60-188	Bottom Pan	1
21	80-124	Packer Rotor	1
22	90-0810	Bolt, 1/2 x 1-1/4	4
23	62-357	Hitch	1
24	92-08	Nut, 1/2	4
25	86-044	Hub, Clutch Drive	2
*	00-001	Decal, Steiner Large	4
27	96-08	Lock Washer, 1/2	4
28	94-06	Flat Washer, 3/8 USS	12
29	96-06	Lock Washer, 3/8	8
30	96-05	Lock Washer, 5/16	6
31	85-SC06	Set Collar, 3/8 ( After Serial #1097)	4
32	99-K02	Flange Bolt, 5/16 x 1 (After Serial #1097)	4
33	99-E12	Flange Nut, 5/16 (After Serial #1097)	4
34	64-535	Stop, Adjustable Latch (After Serial #1097)	2
35	99-A06	Locknut, Stover 3/8	2
36	90-0608	Bolt, 3/8 x 1	2

\* Not Illustrated

Brush Parts  
Figure 2



Parts List for Figure 2

Ref	Part no.	Description	Quantity
1	62-385	Housing, Brush	1
2	92-08	Nut, 1/2	3
3	92-06	Nut, 3/8	8
4	42-209	Adjuster, Spring Tension	2
5	41-010	Spring, 5"	3
6	95-10	Flat Washer, 5/8 SAE	12
7	53-104	Wheel, 10.25 x 3.25 Caster (Serial No. 1001 - 1559)	2
	55-G527	Ball Bearing for 53-104	2
	55-107	Bearing, 5/8 ID x 1-3/8 OD (Optional, Heavy Duty)	2
	53-186	Wheel, 10.25 x 3.25 Caster (Serial No. 1560 - )	2
	55-112	Bearing, Roller 5/8 ID X 1-3/8	1
	53-187	Retainer, Flanged For 53-186	2
8	90-0640	Bolt, 3/8 x 5	2
9	94-06	Flat Washer, 3/8 USS	2
10	40-227	Idler Arm	1
11	56-RC40-59	Chain, Drive #40, 59" long	1
	81-056	Connector Link, #40 Chain	1
	81-076	Half Link, #40 Chain	1
12	85-K0410	Key, 1/4 X 1-1/4	1
13	90-0816	Bolt, 1/2 x 2	1
14	83-H401216	Sprocket	1
15	83-4017E08	Idler Sprocket	1
16	55-FB23016	Flange Bearing, 2 Bolt, 1"	2
17	79-017	Brush, Strip	6
18	80-125	Rotor, Brush	1
19	99-A04	Locknut, Stover 1/4	1
20	90-0412	Bolt, 1/4 X 1-1/2	1
21	02-PP0420	Presto Pin, 1/8 x 2-9/16	1
22	42-207	Transport Handle	1
23	42-206	Height Adjuster	1
24	02-PP0318	Presto Pin, 3/32 x 2-5/16	1
25	85-SC16	Set Collar, 1"	2
26	95-08	Flat Washer, 1/2 SAE	6
27	90-0820	Bolt, 1/2 X 2-1/2	1
28	96-08	Lock Washer, 1/2	2
29	90-0810	Bolt, 1/2 x 1-1/4	2
30	99-A08	Locknut, Stover 1/2	2
31	50-062	Shaft, Wheel	2
32	90-06010	Bolt, 3/8 X 1-1/4	4
33	99-E13	Flange Nut, 3/8	2
34	96-06	Lock Washer, 3/8	4



## Free Manuals Download Website

<http://myh66.com>

<http://usermanuals.us>

<http://www.somanuals.com>

<http://www.4manuals.cc>

<http://www.manual-lib.com>

<http://www.404manual.com>

<http://www.luxmanual.com>

<http://aubethermostatmanual.com>

Golf course search by state

<http://golfingnear.com>

Email search by domain

<http://emailbydomain.com>

Auto manuals search

<http://auto.somanuals.com>

TV manuals search

<http://tv.somanuals.com>