



A KOHLER COMPANY

FINESSE™

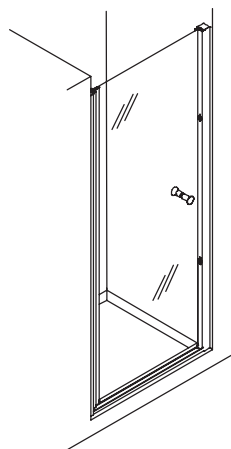
Features

- Frameless design maximizes glass area
- Inside and outside elegant brass pull handles
- Two roller-compression latches allow for smooth, secure door closure
- A concealed hinge provides a continuous contact point and smooth, stable operation
- No top header eliminates clearance issues
- 1-1/2" (3.8 cm) width adjustability for out-of-plumb conditions
- Aluminum components extruded from alloy 6063-T5
- Stainless steel hardware prevents rusting or corrosion
- 1/4" (6 mm) thick tempered glass
- Available in sizes to fit 28-3/4" (73 cm) to 32-3/4" (83.2 cm) opening

FRAMELESS HINGE SHOWER DOOR

6305-30

ALSO 6305-31, 6305-32



Codes/Standards Applicable

Specified model meets or exceeds the following:

- ANSI Z97.1 (tempered glass)
- CPSC 16CFR 1201-1 CAT II

Colors/Finishes

- S: Silver
- N: Nickel
- DR: Deep Bronze

Specified Model

Model	Application	Glass Texture	Pattern	Frame Colors/Finishes*		
				<input type="checkbox"/> S	<input type="checkbox"/> N	<input type="checkbox"/> DR
6305-30*	Shower	Smooth	None	<input type="checkbox"/> S	<input type="checkbox"/> N	
6305-30DR-G05	Shower	Smooth	None			<input type="checkbox"/> DR
6305-30*-G57	Shower	Solstice™	None	<input type="checkbox"/> S		<input type="checkbox"/> DR
6305-30*-G67	Shower	Smooth	Giverny	<input type="checkbox"/> S	<input type="checkbox"/> N	<input type="checkbox"/> DR
6305-31*	Shower	Smooth	None	<input type="checkbox"/> S	<input type="checkbox"/> N	
6305-31DR-G05	Shower	Smooth	None			<input type="checkbox"/> DR
6305-31*-G57	Shower	Solstice	None	<input type="checkbox"/> S		<input type="checkbox"/> DR
6305-31*-G67	Shower	Smooth	Giverny	<input type="checkbox"/> S	<input type="checkbox"/> N	<input type="checkbox"/> DR
6305-32*	Shower	Smooth	None	<input type="checkbox"/> S	<input type="checkbox"/> N	
6305-32DR-G05	Shower	Smooth	None			<input type="checkbox"/> DR
6305-32*-G03	Shower	Smooth	Frosted			<input type="checkbox"/> DR
6305-32*-G57	Shower	Solstice	None		<input type="checkbox"/> N	<input type="checkbox"/> DR
6305-32*-G67	Shower	Smooth	Giverny	<input type="checkbox"/> S	<input type="checkbox"/> N	<input type="checkbox"/> DR

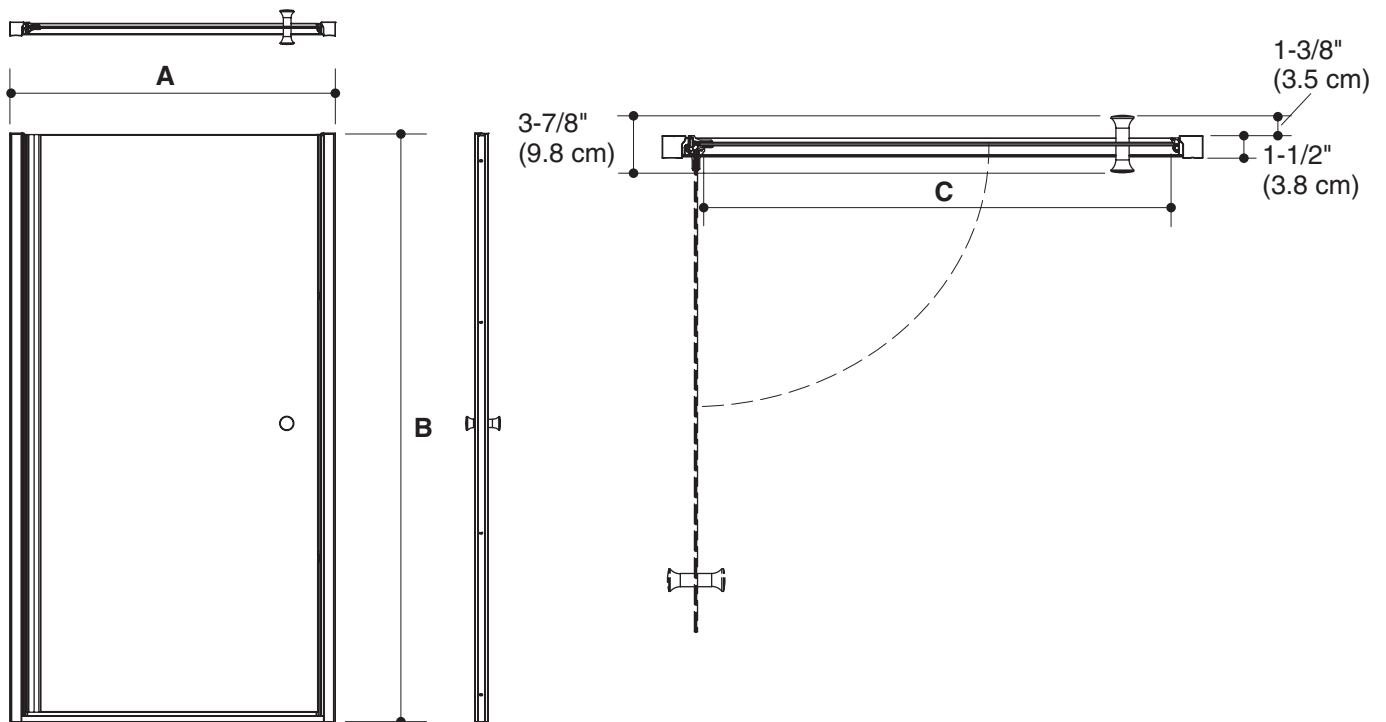
* Note: Add appropriate frame color/finish code to the end of the unit model # when ordering.

SterlingPlumbing.com

Visit us online for fixture color choices, detailed product information, color photos, installation instructions, care guides, and warranties. Sterling offers additional lines of plumbing products to complement the Sterling product you've chosen. Sign up for the Sterling monthly e-newsletter which showcases our latest product innovations. You may also call our Sterling Plumbing Answer Center from within the USA at 1-888-STERLING in addition to consulting with your local dealer. Sterling. Strong. Professional. Design.

FINESSE™

Model	A Width (Max / Min)	B (Height)	C (Walk Through Max)
6305-34	34" (86.4 cm) / 32-1/2" (82.6 cm)	65-1/2" (166.4 cm)	27-9/16" (70 cm)
6305-35	35-1/4" (89.5 cm) / 33-3/4" (85.7 cm)	65-1/2" (166.4 cm)	28-13/16" (73.2 cm)
6305-36	36-1/2" (92.7 cm) / 35" (88.9 cm)	65-1/2" (166.4 cm)	30-1/16" (76.4 cm)
6305-37	37-3/4" (95.9 cm) / 36-1/4" (92.1 cm)	65-1/2" (166.4 cm)	31-5/16" (79.5 cm)
6305-39	39" (99.1 cm) / 37-1/2" (95.3 cm)	65-1/2" (166.4 cm)	32-9/16" (82.7 cm)



Product Diagram

Free Manuals Download Website

<http://myh66.com>

<http://usermanuals.us>

<http://www.somanuals.com>

<http://www.4manuals.cc>

<http://www.manual-lib.com>

<http://www.404manual.com>

<http://www.luxmanual.com>

<http://aubethermostatmanual.com>

Golf course search by state

<http://golfingnear.com>

Email search by domain

<http://emailbydomain.com>

Auto manuals search

<http://auto.somanuals.com>

TV manuals search

<http://tv.somanuals.com>