



A KOHLER COMPANY

ENSEMBLE™

### Features

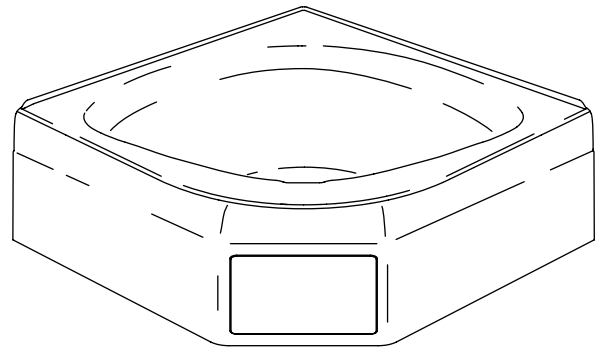
- Compression molded from Sterling's exclusive solid Vikrell® material
- Bath and integral apron eliminates installation step
- Durable high gloss finish
- Lightly pebbled bottom surface for sure footing
- 10 year consumer/3 year commercial limited warranty
- Multiple seating positions along the backwall
- Removable access panel simplifies installation and service
- 60" (152.4 cm) x 60" (152.4 cm) x 20.5" (52.1 cm) rough-in dimensions include flanges
- 60" (152.4 cm) x 60" (152.4 cm) x 20" (50.8 cm) finished dimensions
- 20" (50.8 cm) bath depth (floor to top of dam)

### Codes/Standards Applicable

Specified model meets or exceeds the following:

- ASTM E162
- ASTM E662
- ANSI Z124.1.2
- IAPMO/UPC
- CSA B45
- CSA International

## 60" (152.4 cm) CORNER BATH 71131100



### Colors/Finishes

- 0: White
- Other: Refer to Price Book for additional colors/finishes

### Specified Model

Model	Description	Colors/Finishes	
71131100	60" (152.4 cm) corner bath, center drain	<input type="checkbox"/> 0	<input type="checkbox"/> Other_____

### SterlingPlumbing.com

Visit us online for fixture color choices, detailed product information, color photos, installation instructions, care guides, and warranties. Sterling offers additional lines of plumbing products to complement the Sterling product you've chosen. Sign up for the Sterling monthly e-newsletter which showcases our latest product innovations. You may also call our Sterling Plumbing Answer Center from within the USA at 1-888-STERLING in addition to consulting with your local dealer. Sterling. Strong. Professional. Design.

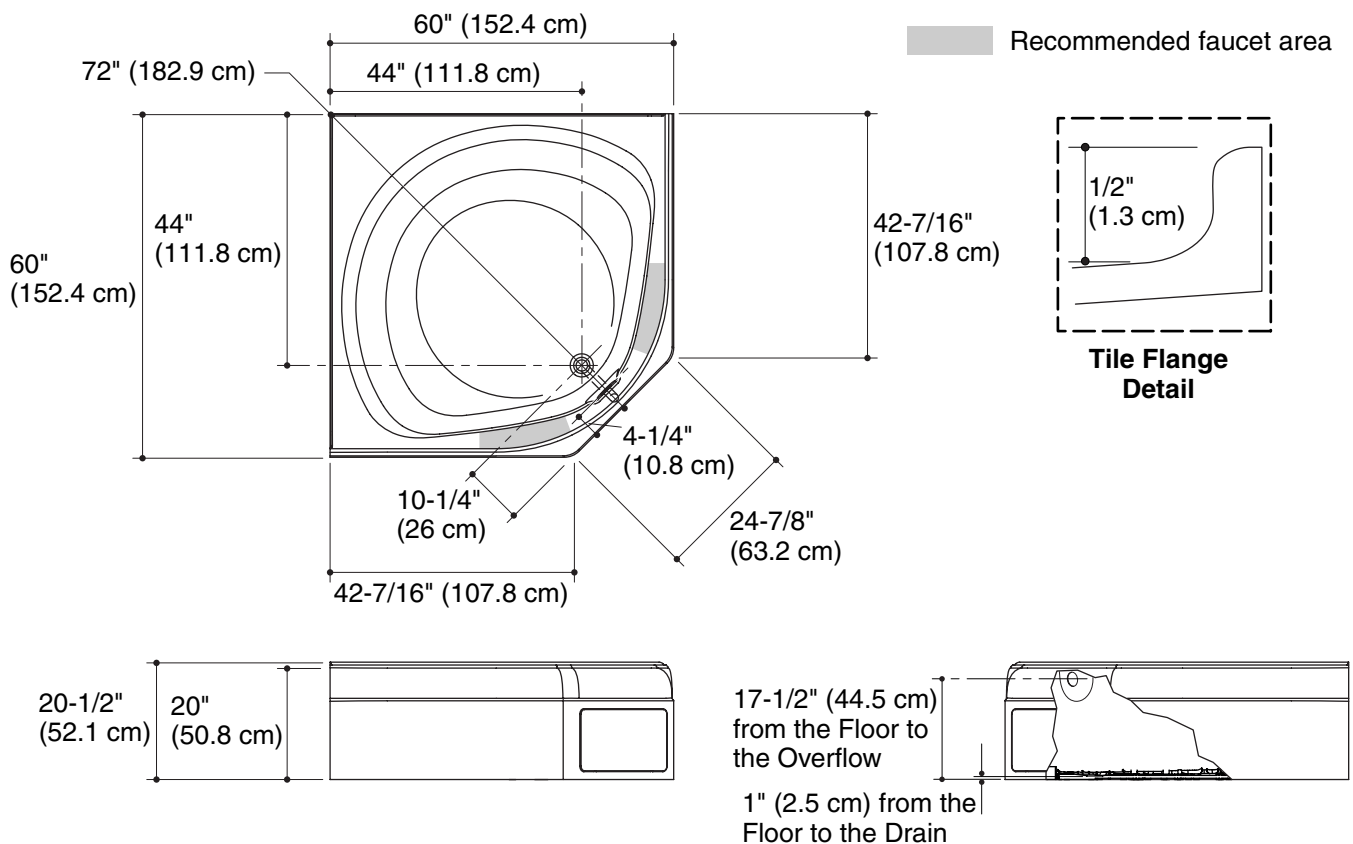
# ENSEMBLE™

## Technical Information

Fixture*:	basin area	top area
Bathing well	49" (124.5 cm) x 42" (106.7 cm)	50" (127 cm) x 60" (152.4 cm)
	water depth	capacity
To overflow	15-1/4" (38.7 cm)	108 gal (408.8 L)
* Approximate measurements for comparison only.		

## Installation Notes

Install this product according to the installation guide.  
Size the drain cutout to fit the drain assembly that will be used.



## Product Diagram

## Free Manuals Download Website

<http://myh66.com>

<http://usermanuals.us>

<http://www.somanuals.com>

<http://www.4manuals.cc>

<http://www.manual-lib.com>

<http://www.404manual.com>

<http://www.luxmanual.com>

<http://aubethermostatmanual.com>

Golf course search by state

<http://golfingnear.com>

Email search by domain

<http://emailbydomain.com>

Auto manuals search

<http://auto.somanuals.com>

TV manuals search

<http://tv.somanuals.com>