



A KOHLER COMPANY

UNDERCOUNTER KITCHEN SINK 11409

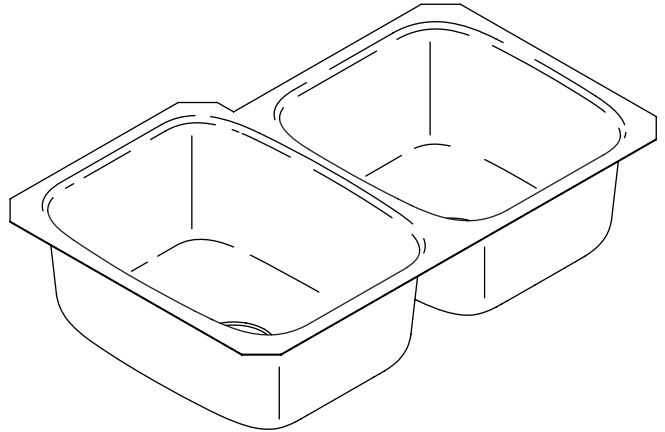
Features

- *SilentShield™* sound deadening
- *Satin finish*
- *18 gauge stainless steel*
- *Undermount rimless design*
- *31-3/4" (80.6 cm) x 20-3/4" (52.7 cm) x 8" (20.3 cm)*

Codes/Standards Applicable

Specified model meets or exceeds the following:

- *ASME A112.19.3*
- *IAPMO/UPC*
- *CSA B45*



Colors/Finishes

- NA: None applicable

Accessories:

- NA: None applicable

Specified Model

| Model | Description | Colors/Finishes |
|-------|---------------------------------|-----------------------------|
| 11409 | Stainless steel undermount sink | <input type="checkbox"/> NA |

SterlingPlumbing.com

Visit us online for fixture color choices, detailed product information, color photos, installation instructions, care guides, and warranties. Sterling offers additional lines of plumbing products to complement the Sterling product you've chosen. Sign up for the Sterling monthly e-newsletter which showcases our latest product innovations. You may also call our Sterling Plumbing Answer Center from within the USA at 1-888-STERLING in addition to consulting with your local dealer. Sterling. Strong. Professional. Design.

Technical Information

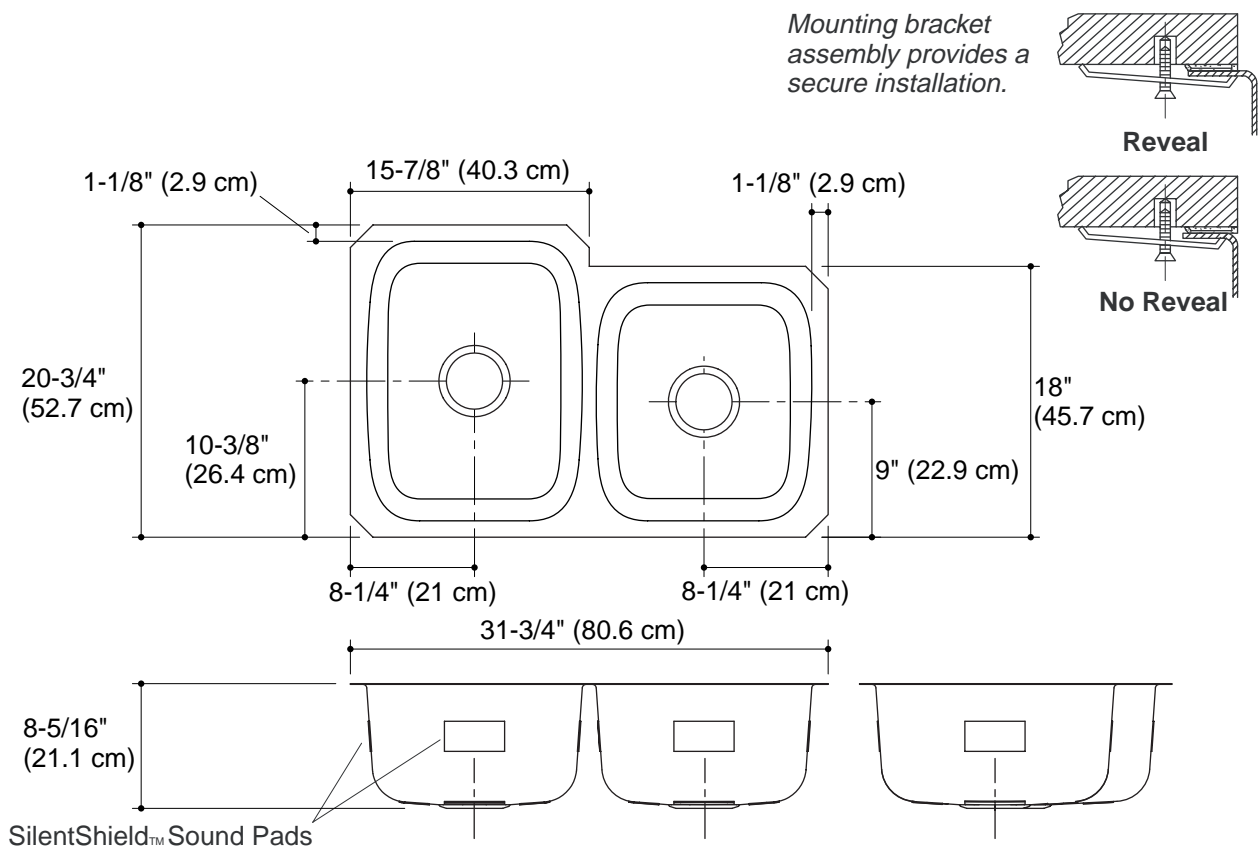
| | |
|---|-------------------------------------|
| Fixture*: | Basin area |
| Sink, left | 14-1/4" (36.2 cm) x 18-1/2" (47 cm) |
| Sink, right | 14-1/4" (36.2 cm) x 15-3/4" (40 cm) |
| Drain holes | 3-3/4" (9.5 cm) D. |
| * Approximate measurements for comparison only. | |

| | |
|----------------------|-----------|
| Included components: | |
| Hardware kit | 91915 |
| Cut-out template | 1055957-7 |

Installation Notes

Install this product according to the installation guide.

Use the supplied cut-out template to select either a hidden or exposed rim.



Product Diagram

Free Manuals Download Website

<http://myh66.com>

<http://usermanuals.us>

<http://www.somanuals.com>

<http://www.4manuals.cc>

<http://www.manual-lib.com>

<http://www.404manual.com>

<http://www.luxmanual.com>

<http://aubethermostatmanual.com>

Golf course search by state

<http://golfingnear.com>

Email search by domain

<http://emailbydomain.com>

Auto manuals search

<http://auto.somanuals.com>

TV manuals search

<http://tv.somanuals.com>