



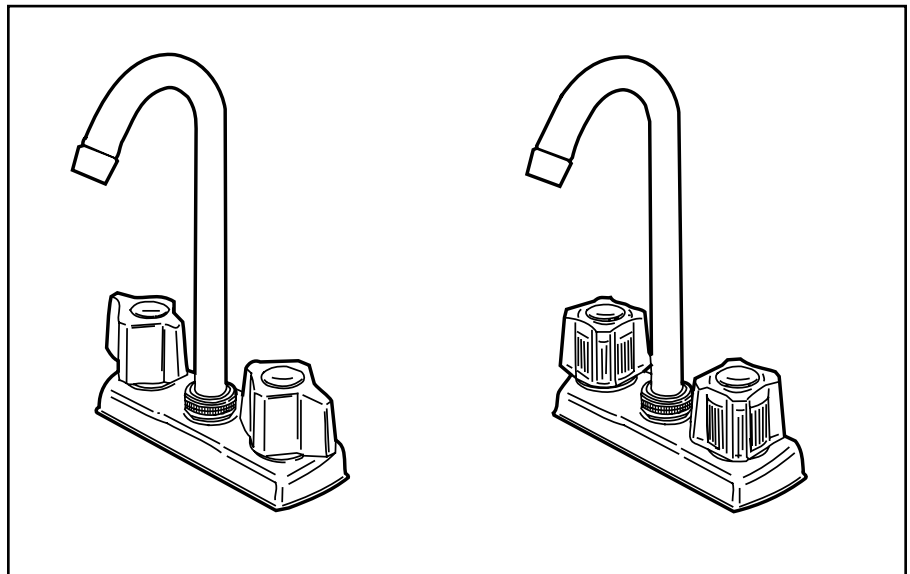
STRONG. PROFESSIONAL. DESIGN.<sup>™</sup>  
SPECIFICATIONS

# Specialty Classics Twin Handle Compression Bar Faucets

Models 26990, 26290

## Standard Features

- Maximum operating input  
water pressure .....80 psi
- Maximum pressure .....125 psi
- Maximum flow rate ..2.2 gpm at 60 psi  
(see chart)
- Supply connectors .....1/2" IPS
- Valve Type .....Compression valving
- Installation requirements .....2 sink holes  
Minimum 1 1/2" Dia. In-line  
4" centers
- Finish.....Chrome



## Standards and Ratings

- ASME A112.18.1M American Society  
of Mechanical Engineers Standard:  
"Plumbing Fixtures Fittings"

## Optional Features

- Acrylic Handles
- Blade Handles

### Features

**Chrome plated or polished  
brass finish**

**Choice of handles**

**Compression valving**

### Benefits

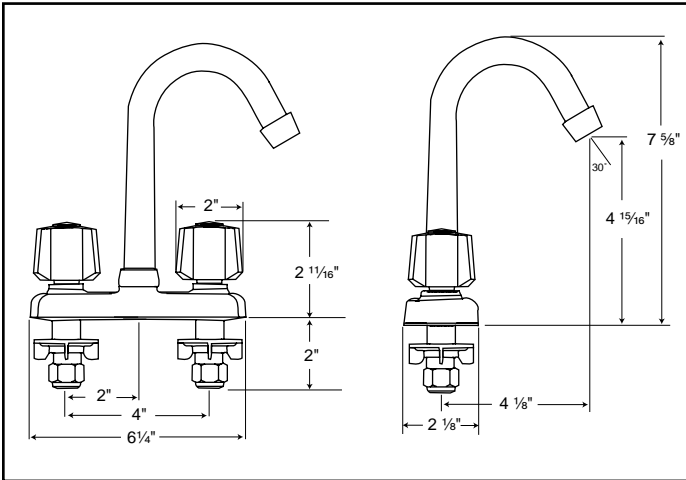
Durable and easy to clean

Easy operation and unique style  
coordinates with traditional or  
contemporary decor

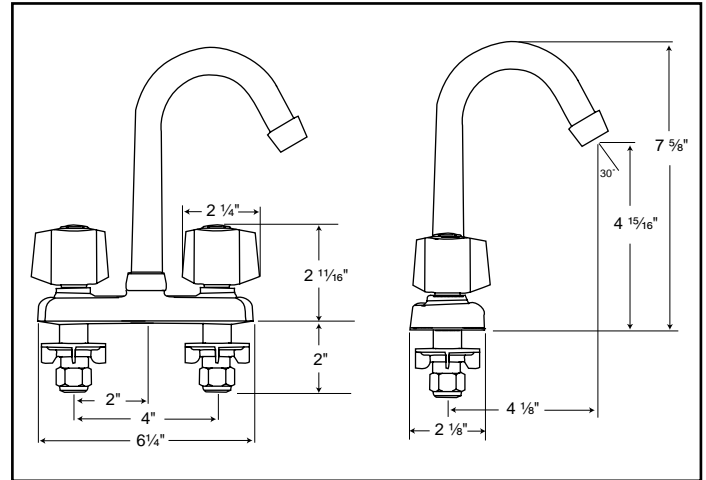
Ideal for hard water areas. Easy and  
inexpensive to maintain

**Specialty Classics**  
**Twin Handle Compression**  
**Bar Faucets**  
 Models 26990, 26290

D I M E N S I O N S

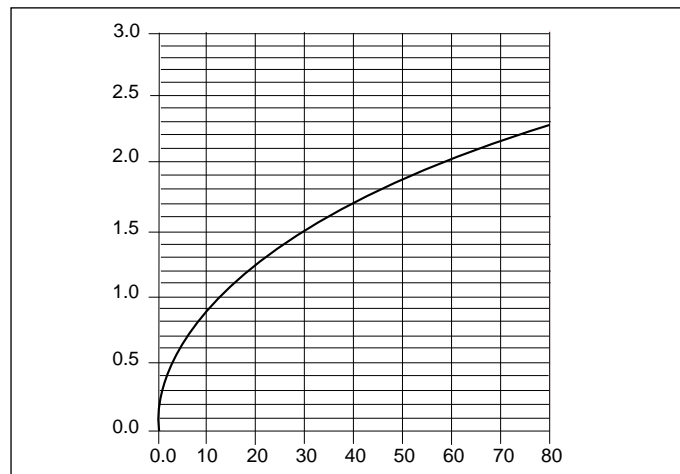


**Bar Faucet with Acrylic Handles  
 and Gooseneck Spout**



**Bar Faucet with Blade Handles  
 and Gooseneck Spout**

**FLOWRATE (gpm)**



**LINE PRESSURE  
 P.S.I. GAUGE**



## Free Manuals Download Website

<http://myh66.com>

<http://usermanuals.us>

<http://www.somanuals.com>

<http://www.4manuals.cc>

<http://www.manual-lib.com>

<http://www.404manual.com>

<http://www.luxmanual.com>

<http://aubethermostatmanual.com>

Golf course search by state

<http://golfingnear.com>

Email search by domain

<http://emailbydomain.com>

Auto manuals search

<http://auto.somanuals.com>

TV manuals search

<http://tv.somanuals.com>