



A KOHLER COMPANY

ENSEMBLE™

Features

- Compression molded from Sterling's exclusive solid Vikrell® material
- Above floor drain rough-in
- Lightly pebbled bottom surface for sure footing
- Durable high gloss finish
- 10 year consumer/3 year commercial limited warranty
- 20" (50.8 cm) bath depth (floor to top of dam)
- 2" (5.1 cm) wainscot/tile ledge
- 60" (152.4 cm) x 32-1/8" (81.6 cm) x 23" (58.4 cm) rough-in dimensions include flange
- 60" (152.4 cm) x 32" (81.3 cm) x 22" (55.9 cm) finished dimensions

32" (81.3 cm) AFD BATH

71121112

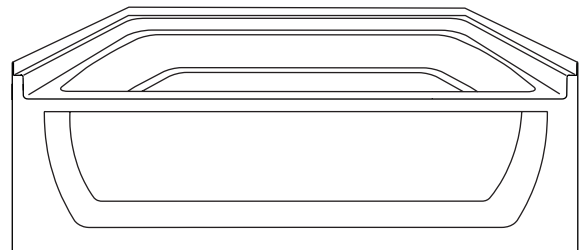
ALSO 71121122



Codes/Standards Applicable

Specified model meets or exceeds the following:

- ASTM E162
- ASTM E662
- ANSI Z124.1.2
- IAPMO/UPC
- CSA International
- CSA B45
- ASTM F462 Slip Resistance



Colors/Finishes

- 0: White
- Other: Refer to Price Book for additional colors/finishes

Specified Model

Model	Description	Colors/Finishes	
71121112	32" (81.3 cm) AFD bath, left drain	<input type="checkbox"/> 0	<input type="checkbox"/> Other _____
71121122	32" (81.3 cm) AFD bath, right drain	<input type="checkbox"/> 0	<input type="checkbox"/> Other _____

SterlingPlumbing.com

Visit us online for fixture color choices, detailed product information, color photos, installation instructions, care guides, and warranties. Sterling offers additional lines of plumbing products to complement the Sterling product you've chosen. Sign up for the Sterling monthly e-newsletter which showcases our latest product innovations. You may also call our Sterling Plumbing Answer Center from within the USA at 1-888-STERLING in addition to consulting with your local dealer. Sterling. Strong. Professional. Design.

ENSEMBLE™

Technical Information

Fixture*:	basin area	top area
Bathing well	42" (106.7 cm) x 20" (50.8 cm)	54" (137.2 cm) x 26" (66 cm)
To overflow	water depth	capacity
	13" (33 cm)	51 gal (193 L)
* Approximate measurements for comparison only.		

Model	door maximum width	door maximum height
71121112	57-11/16"	NA*
71121122	(146.5 cm)*	
* Varies with alternative walls.		

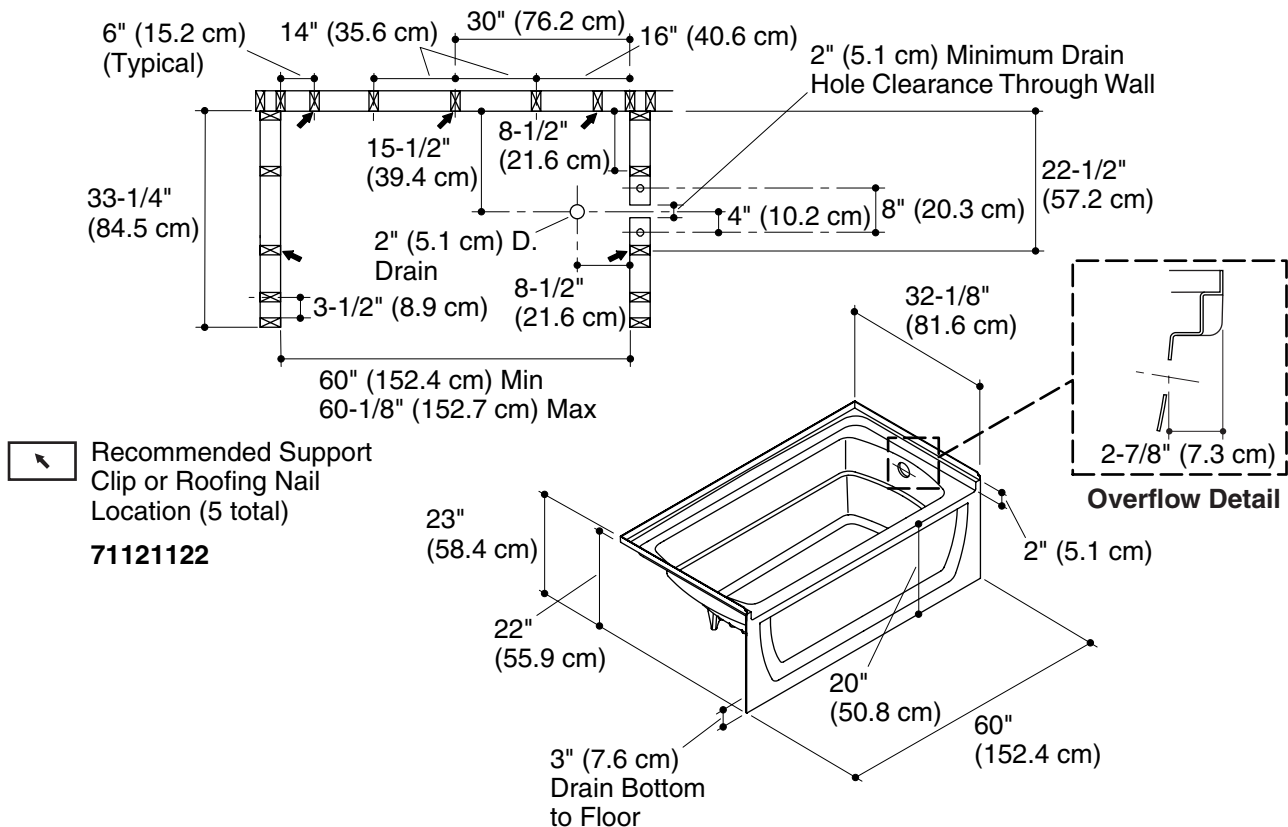
Installation Notes

Install this product according to the installation guide.

Size the drain hole clearance to fit the drain assembly that will be used.

Stud positioning is critical.

Studs should be positioned roughly as shown for support clip or roofing nail installation.



Product Diagram

ENSEMBLE™ 32" (81.3 cm) AFD BATH

Page 2 of 2
1032204-4-E



Free Manuals Download Website

<http://myh66.com>

<http://usermanuals.us>

<http://www.somanuals.com>

<http://www.4manuals.cc>

<http://www.manual-lib.com>

<http://www.404manual.com>

<http://www.luxmanual.com>

<http://aubethermostatmanual.com>

Golf course search by state

<http://golfingnear.com>

Email search by domain

<http://emailbydomain.com>

Auto manuals search

<http://auto.somanuals.com>

TV manuals search

<http://tv.somanuals.com>