



A KOHLER COMPANY

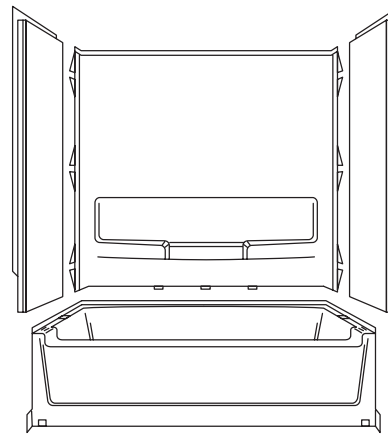
ADVANTAGE™

Features

- Compression molded from Sterling's exclusive solid Vikrell® material
- Two toiletry shelves and 18" (45.7 cm) towel bar in back wall for added convenience
- Modular 4-piece design
- Lightly pebbled bottom surface for sure footing
- Tongue-and-groove "snap together" design
- Durable swirl gloss finish
- Left or right drain
- 10 year consumer/3 year commercial limited warranty
- 15" (38.1 cm) bath depth (floor to top of dam)
- 60" (152.4 cm) x 31-1/4" (79.4 cm) x 73-1/4" (186.1 cm) complete unit rough-in dimensions include flanges
- 60" (152.4 cm) x 30" (76.2 cm) x 72" (182.9 cm) complete unit finished dimensions

60" (152.4 cm) BATH/SHOWER SYSTEM

61030110
ALSO 61030120



Codes/Standards Applicable

Specified model meets or exceeds the following:

- ASTM E162
- ASTM E662
- ANSI Z124.1.2
- HUD, UM Bulletin 73A
- NAHB Research Foundation, Inc.

Colors/Finishes

- 0: White
- Other: Refer to Price Book for additional colors/finishes

Specified Model

Model	Complete Unit Description	Colors/Finishes	
61030110	60" (152.4 cm) bath and wall surround, left drain	<input type="checkbox"/> 0	<input type="checkbox"/> Other_____
61030120	60" (152.4 cm) bath and wall surround, right drain	<input type="checkbox"/> 0	<input type="checkbox"/> Other_____
61030410	60" (152.4 cm) bath and wall surround, 4 pack, left drain	<input type="checkbox"/> 0	<input type="checkbox"/> Other_____
61030420	60" (152.4 cm) bath and wall surround, 4 pack, right drain	<input type="checkbox"/> 0	<input type="checkbox"/> Other_____

Model	Wall Component Description	Colors/Finishes	
61032100	Back wall	<input type="checkbox"/> 0	<input type="checkbox"/> Other_____
61033110	Left end wall	<input type="checkbox"/> 0	<input type="checkbox"/> Other_____
61033120	Right end wall	<input type="checkbox"/> 0	<input type="checkbox"/> Other_____
61034100	Complete wall set	<input type="checkbox"/> 0	<input type="checkbox"/> Other_____
61035100	End wall set	<input type="checkbox"/> 0	<input type="checkbox"/> Other_____

SterlingPlumbing.com

Visit us online for fixture color choices, detailed product information, color photos, installation instructions, care guides, and warranties. Sterling offers additional lines of plumbing products to complement the Sterling product you've chosen. Sign up for the Sterling monthly e-newsletter which showcases our latest product innovations. You may also call our Sterling Plumbing Answer Center from within the USA at 1-888-STERLING in addition to consulting with your local dealer. Sterling. Strong. Professional. Design.

Technical Information

Fixture*:	shipping weight
Complete bath and wall unit	125 lbs (57 kg)
Complete wall set	62 lbs (28.1 kg)
End wall set	32 lbs (14.5 kg)
Bath only, single pack	63 lbs (28.6 kg)
Bath only, four pack	210 lbs (95.3 kg)

Fixture*:	water depth	capacity
To overflow	9-3/8" (23.8 cm)	42 gal (159 L)
* Approximate measurements for comparison only.		

Model	door maximum width	door maximum height
61030110 61030120	56-3/4" (144.1 cm)	57" (144.8 cm)
* Varies with alternative walls.		

Installation Notes

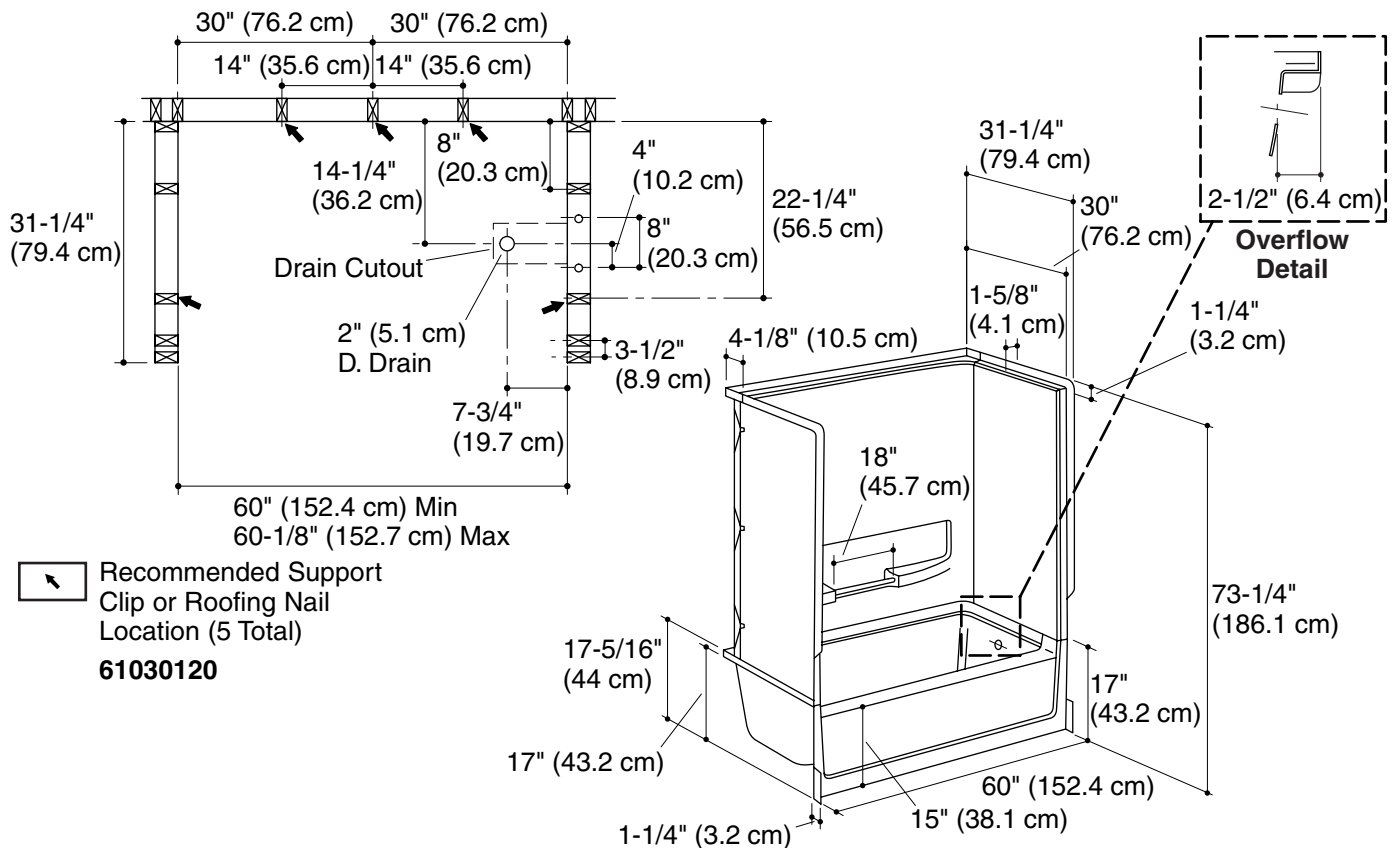
Bath only installation is not recommended. Must be installed with available walls.

Install this product according to the installation guide.

Size the drain cutout to fit the drain assembly that will be used.

Stud positioning is critical.

Studs should be positioned roughly as shown for support clip or roofing nail installation.



Product Diagram

Free Manuals Download Website

<http://myh66.com>

<http://usermanuals.us>

<http://www.somanuals.com>

<http://www.4manuals.cc>

<http://www.manual-lib.com>

<http://www.404manual.com>

<http://www.luxmanual.com>

<http://aubethermostatmanual.com>

Golf course search by state

<http://golfingnear.com>

Email search by domain

<http://emailbydomain.com>

Auto manuals search

<http://auto.somanuals.com>

TV manuals search

<http://tv.somanuals.com>