



A KOHLER COMPANY

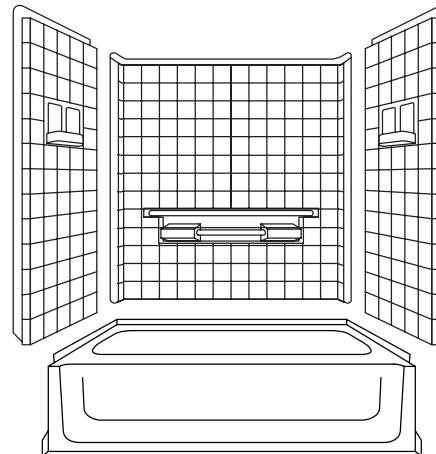
ALL PRO®

Features

- Compression molded from Sterling's exclusive solid Vikrell® material
- Convenient shelving and acrylic towel bar on back wall
- Modular 4-piece design
- Lightly pebbled bottom surface for sure footing
- Durable swirl gloss finish
- Caulk required for installation
- Tongue-and-groove "snap together" design
- 10 year consumer/3 year commercial limited warranty
- 60" (152.4 cm) x 31-1/2" (80 cm) x 74" (188 cm) complete unit rough-in dimensions include flanges
- 60" (152.4 cm) x 30" (76.2 cm) x 72-3/4" (184.8 cm) complete unit finished dimensions

60" (152.4 cm) BATH/SHOWER SYSTEM

61040110
ALSO 61040120



Codes/Standards Applicable

Specified model meets or exceeds the following:

- ASTM E162
- ASTM E662
- HUD, UM Bulletin 73A
- NAHB Research Foundation, Inc.
- ANSI Z124.1.2
- IAPMO/UPC
- CSA International
- CSA B45

Colors/Finishes

- 0: White
- Other: Refer to Price Book for additional colors/finishes

Specified Model

Model	Complete Unit Description	Colors/Finishes	
61040110	60" (152.4 cm) bath and wall surround, left drain	<input type="checkbox"/> 0	<input type="checkbox"/> Other_____
61040120	60" (152.4 cm) bath and wall surround, right drain	<input type="checkbox"/> 0	<input type="checkbox"/> Other_____
61040510	60" (152.4 cm) bath and wall surround, 5 pack, left drain	<input type="checkbox"/> 0	<input type="checkbox"/> Other_____
61040520	60" (152.4 cm) bath and wall surround, 5 pack, right drain	<input type="checkbox"/> 0	<input type="checkbox"/> Other_____

Model	Wall Component Description	Colors/Finishes	
61042100	Back wall	<input type="checkbox"/> 0	<input type="checkbox"/> Other_____
61043110	Left end wall	<input type="checkbox"/> 0	<input type="checkbox"/> Other_____
61043120	Right end wall	<input type="checkbox"/> 0	<input type="checkbox"/> Other_____
61044100	Complete wall set	<input type="checkbox"/> 0	<input type="checkbox"/> Other_____
61045100	End wall set	<input type="checkbox"/> 0	<input type="checkbox"/> Other_____

SterlingPlumbing.com

Visit us online for fixture color choices, detailed product information, color photos, installation instructions, care guides, and warranties. Sterling offers additional lines of plumbing products to complement the Sterling product you've chosen. Sign up for the Sterling monthly e-newsletter which showcases our latest product innovations. You may also call our Sterling Plumbing Answer Center from within the USA at 1-888-STERLING in addition to consulting with your local dealer. Sterling. Strong. Professional. Design.

ALL PRO®

Technical Information

Fixture*:	Complete bath/shower	shipping weight	78 lbs (35.4 kg)
-----------	----------------------	-----------------	------------------

Fixture*:	water depth	capacity
To overflow	9-3/8" (23.8 cm)	44 gal (166.6 L)
* Approximate measurements for comparison only.		

Model	door maximum width	door maximum height
All	57-1/2" (146.1 cm)*	NA*
* Varies with alternative walls		

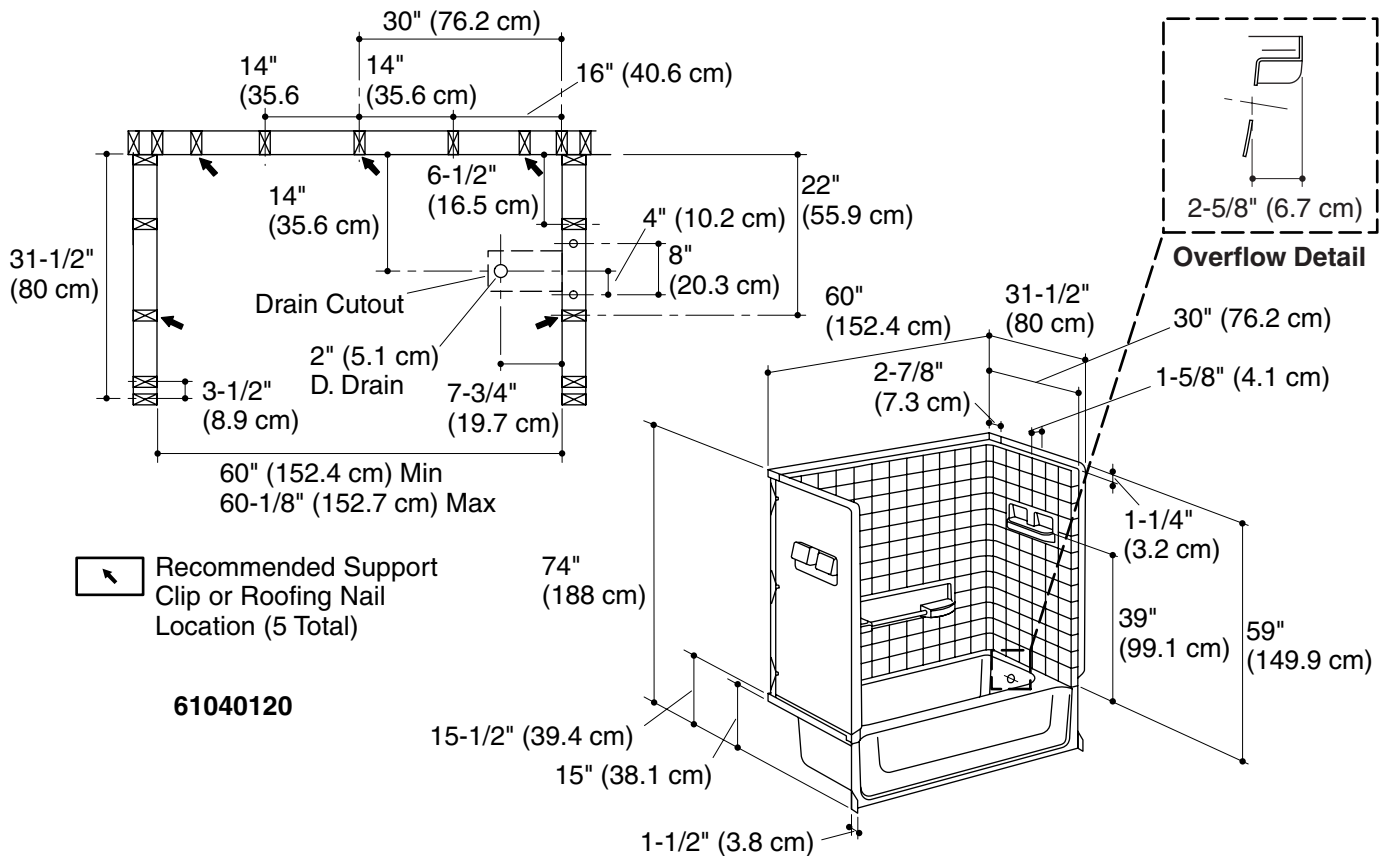
Installation Notes

Install this product according to the installation guide.

Size the drain cutout to fit the drain assembly that will be used.

Stud positioning is critical.

Studs should be positioned roughly as shown for support clip or roofing nail installation.



Free Manuals Download Website

<http://myh66.com>

<http://usermanuals.us>

<http://www.somanuals.com>

<http://www.4manuals.cc>

<http://www.manual-lib.com>

<http://www.404manual.com>

<http://www.luxmanual.com>

<http://aubethermostatmanual.com>

Golf course search by state

<http://golfingnear.com>

Email search by domain

<http://emailbydomain.com>

Auto manuals search

<http://auto.somanuals.com>

TV manuals search

<http://tv.somanuals.com>