



A KOHLER COMPANY

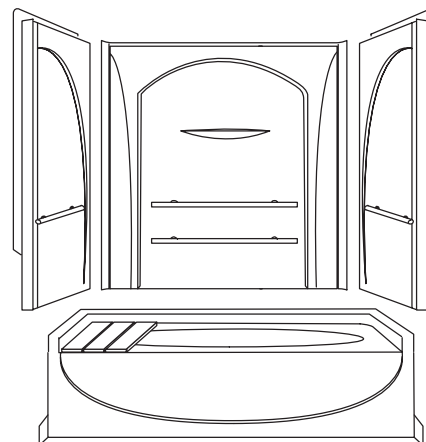
ACCLAIM™

Features

- Compression molded from Sterling's exclusive solid Vikrell® material
- Stainless steel grab bars 1-1/2" (3.8 cm) OD
- Modular 4-piece design
- Lightly pebbled bottom surface for sure footing
- Tongue-and-groove "snap together" design
- Durable high gloss finish
- Handicap seat mounts directly to back wall of bath surround and rests on dam of bath
- 10 year consumer/3 year commercial limited warranty
- 15" (38.1 cm) bath depth (floor to top of dam)
- Backwall bars: Two 42" (106.7 cm) long grab bars
Endwall bar: 24" (61 cm) long grab bar
- 60" (152.4 cm) x 31-1/2" (80 cm) x 73-1/2" (186.7 cm) complete unit rough-in dimensions include flanges
- 60" (152.4 cm) x 30" (76.2 cm) x 72" (182.9 cm) complete unit finished dimensions

60" (152.4 cm) ADA COMPLIANT BATH/SHOWER SYSTEM

71090115
ALSO 71090125



Codes/Standards Applicable

Specified model meets or exceeds the following:

- ADA
- ANSI Z124.1.2
- ASTM E162
- ASTM E662
- IAPMO/UPC
- HUD, UM Bulletin 73A
- NAHB Research Foundation, Inc.

Colors/Finishes

- 0: White
- Other: Refer to Price Book for additional colors/finishes

Specified Model

Model	ADA Compliant Complete Unit Description	Colors/Finishes	
71090115	60" (152.4 cm) ADA compliant bath and wall surround, left drain	<input type="checkbox"/> 0	<input type="checkbox"/> Other _____
71090125	60" (152.4 cm) ADA compliant bath and wall surround, right drain	<input type="checkbox"/> 0	<input type="checkbox"/> Other _____

Model	ADA Adaptable Component Description	Colors/Finishes	
71091114	60" (152.4 cm) bath only, left drain	<input type="checkbox"/> 0	<input type="checkbox"/> Other _____
71091124	60" (152.4 cm) bath only, right drain	<input type="checkbox"/> 0	<input type="checkbox"/> Other _____
71092103	Back wall, with grab bars	<input type="checkbox"/> 0	<input type="checkbox"/> Other _____
71094103	Complete wall set, with grab bars	<input type="checkbox"/> 0	<input type="checkbox"/> Other _____
71095103	End wall set, with grab bars	<input type="checkbox"/> 0	<input type="checkbox"/> Other _____

SterlingPlumbing.com

Visit us online for fixture color choices, detailed product information, color photos, installation instructions, care guides, and warranties. Sterling offers additional lines of plumbing products to complement the Sterling product you've chosen. Sign up for the Sterling monthly e-newsletter which showcases our latest product innovations. You may also call our Sterling Plumbing Answer Center from within the USA at 1-888-STERLING in addition to consulting with your local dealer. Sterling. Strong. Professional. Design.

Technical Information

Fixture*:	basin area	top area
Bathing well	42" (106.7 cm) x 16-1/4" (41.3 cm)	56" (142.2 cm) x 23-3/4" (60.3 cm)
To overflow	water depth	capacity
	13" (33 cm)	34 gal (128.7 L)

* Approximate measurements for comparison only.

Model	door maximum width	door maximum height
71090115	58-1/2" (148.6 cm)	56-1/2" (143.5 cm)
71090125		

Installation Notes

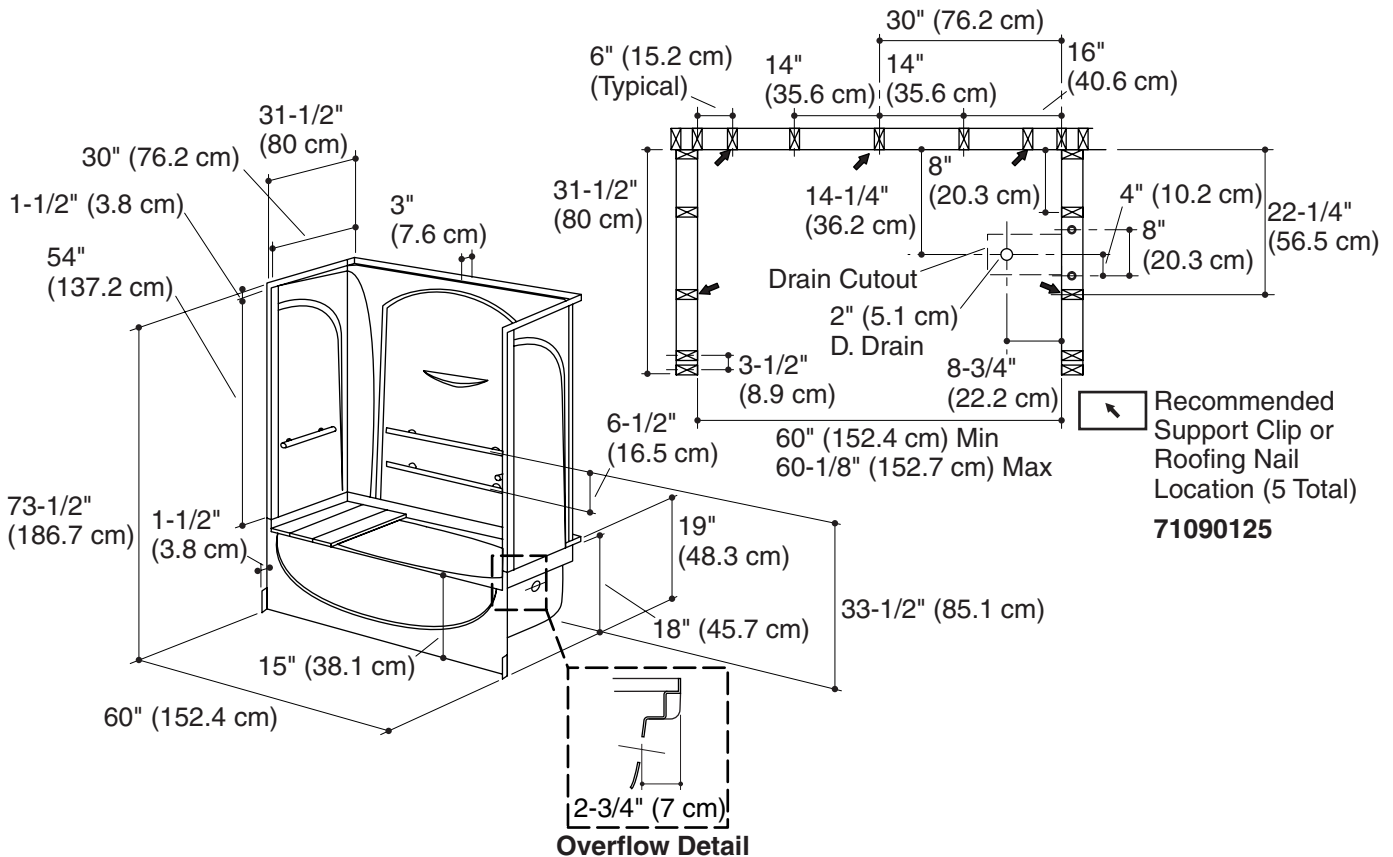
Install this product according to the installation guide.

To be ADA compliant, install according to the requirements of the Americans with Disabilities Act (ADA). Use only ADA compliant components.

Size the drain cutout to fit the drain assembly that will be used.

Stud positioning is critical.

Studs should be positioned roughly as shown for support clip or roofing nail installation.



Product Diagram

Free Manuals Download Website

<http://myh66.com>

<http://usermanuals.us>

<http://www.somanuals.com>

<http://www.4manuals.cc>

<http://www.manual-lib.com>

<http://www.404manual.com>

<http://www.luxmanual.com>

<http://aubethermostatmanual.com>

Golf course search by state

<http://golfingnear.com>

Email search by domain

<http://emailbydomain.com>

Auto manuals search

<http://auto.somanuals.com>

TV manuals search

<http://tv.somanuals.com>