



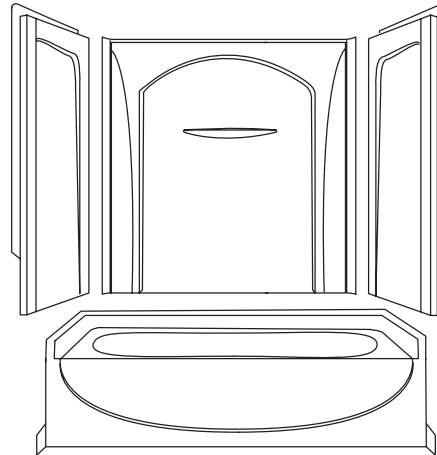
A KOHLER COMPANY

ACCLAIM™

Features

- Compression molded from Sterling's exclusive solid Vikrell® material
- Innovative design for seamless appearance
- Factory installed Vikrell® apron extension and plastic undersupport for ease of installation
- Lightly pebbled bottom surface for sure footing
- Tongue-and-groove "snap together" design
- Durable high gloss finish
- 10 year consumer/3 year commercial limited warranty, pump motor assembly has 1 year limited warranty
- Left or right drain
- Available with or without above-the-floor drain
- Wall surround allows for attachment of grab bars
- 60" (152.4 cm) x 31-1/2" (80 cm) x 75-3/4" (192.4 cm) complete unit rough-in dimensions include flange
- 60" (152.4 cm) x 30" (76.2 cm) x 74-1/4" (188.6 cm) complete unit finished dimensions

60" (152.4 cm) BATH/SHOWER SYSTEM WITH BACKER BOARDS 71090116



Codes/Standards Applicable

Specified model meets or exceeds the following:

- ANSI Z124.1.2
- IAPMO/UPC
- CSA B45

Colors/Finishes

- 0: White
- Other: Refer to Price Book for additional colors/finishes

Specified Model

Model	Complete Unit Description	Colors/Finishes	
71090116	60" (152.4 cm) bath and wall surround with backer boards, left drain	<input type="checkbox"/> 0	<input type="checkbox"/> Other_____
71090118	60" (152.4 cm) bath and wall surround with backer boards, above-the-floor left drain	<input type="checkbox"/> 0	<input type="checkbox"/> Other_____
71090126	60" (152.4 cm) bath and wall surround with backer boards, right drain	<input type="checkbox"/> 0	<input type="checkbox"/> Other_____
71090128	60" (152.4 cm) bath and wall surround with backer boards, above-the-floor right drain	<input type="checkbox"/> 0	<input type="checkbox"/> Other_____

Model	Wall Component Description	Colors/Finishes	
71094106	Complete wall set with backer board locations	<input type="checkbox"/> 0	<input type="checkbox"/> Other_____

SterlingPlumbing.com

Visit us online for fixture color choices, detailed product information, color photos, installation instructions, care guides, and warranties. Sterling offers additional lines of plumbing products to complement the Sterling product you've chosen. Sign up for the Sterling monthly e-newsletter which showcases our latest product innovations. You may also call our Sterling Plumbing Answer Center from within the USA at 1-888-STERLING in addition to consulting with your local dealer. Sterling. Strong. Professional. Design.

Technical Information

Fixture:*	basin area	top area
Bathing well	42" (106.7 cm) x 16-1/4" (41.3 cm)	56" (142.2 cm) x 23-3/4" (60.3 cm)
To overflow	water depth	capacity
	12" (33 cm)	34 gal (128.7 L)
* Approximate measurements for comparison only.		

Model	Door maximum width	Door maximum height
71090116	58-1/2" (148.4 cm)	56-1/2" (143.5 cm)
71090118		
71090126		
71090128		
71090416		
71090426		

Installation Notes

Install this product according to the installation guide.

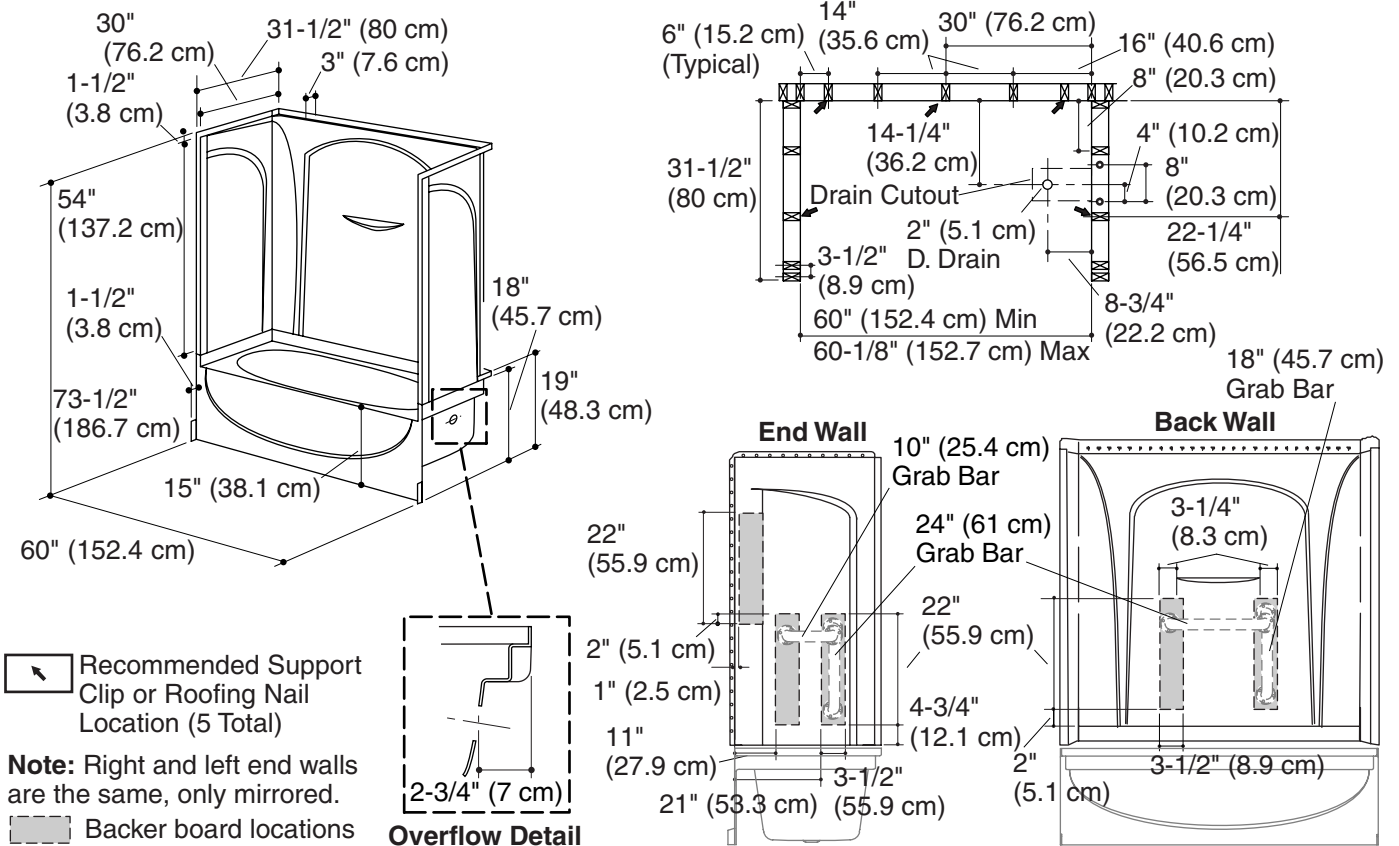
Size the drain cutout to fit the drain assembly that will be used.

End stud positioning is critical if nailing-in flanges are to be used.

Double studding is recommended for pivot shower door installations.

Studs should be positioned roughly as shown for support clip or roofing nail installation.

Attach grab bars at the specified backer board locations only.



Free Manuals Download Website

<http://myh66.com>

<http://usermanuals.us>

<http://www.somanuals.com>

<http://www.4manuals.cc>

<http://www.manual-lib.com>

<http://www.404manual.com>

<http://www.luxmanual.com>

<http://aubethermostatmanual.com>

Golf course search by state

<http://golfingnear.com>

Email search by domain

<http://emailbydomain.com>

Auto manuals search

<http://auto.somanuals.com>

TV manuals search

<http://tv.somanuals.com>