



A KOHLER COMPANY

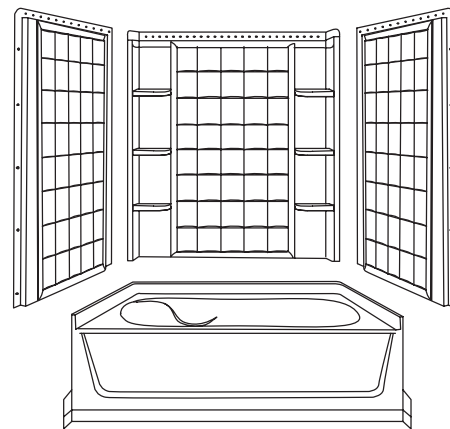
ENSEMBLE™

Features

- Compression molded from Sterling's exclusive solid Vikrell® material
- Gentle sloping back, neck, and armrest in bath design
- Above floor drain rough-in
- Factory installed Vikrell® apron extension and plastic undersupport for ease of installation
- Modular 4-piece design
- Lightly pebbled bottom surface for sure footing
- Tongue-and-groove "snap together" design
- Durable high gloss finish
- 18-1/4" (46.4 cm) bath depth (floor to top of dam)
- 60" (152.4 cm) x 43-1/2" (110.5 cm) x 75-1/2" (191.8 cm) complete unit rough-in dimensions include flanges
- 60" (152.4 cm) x 42" (106.7 cm) x 74-1/4" (188.6 cm) complete unit finished dimensions

42" (106.7 cm) AFD BATH/SHOWER SYSTEM

71110112
ALSO 71110122



Codes/Standards Applicable

Specified model meets or exceeds the following:

- ANSI Z124.1.2
- ASTM E162
- ASTM E662
- IAPMO/UPC
- CSA International
- CSA B45

Colors/Finishes

- 0: White
- Other: Refer to Price Book for additional colors/finishes

Specified Model

Model	Complete Unit Description	Colors/Finishes	
71110112	42" (106.7 cm) AFD bath and wall surround, left drain	<input type="checkbox"/> 0	<input type="checkbox"/> Other_____
71110122	42" (106.7 cm) AFD bath and wall surround, right drain	<input type="checkbox"/> 0	<input type="checkbox"/> Other_____

Model	Wall Component Description	Colors/Finishes	
71112100	Back wall	<input type="checkbox"/> 0	<input type="checkbox"/> Other_____
71113110	Left end wall	<input type="checkbox"/> 0	<input type="checkbox"/> Other_____
71113120	Right end wall	<input type="checkbox"/> 0	<input type="checkbox"/> Other_____
71114100	Complete wall set	<input type="checkbox"/> 0	<input type="checkbox"/> Other_____
71115100	End wall set	<input type="checkbox"/> 0	<input type="checkbox"/> Other_____

SterlingPlumbing.com

Visit us online for fixture color choices, detailed product information, color photos, installation instructions, care guides, and warranties. Sterling offers additional lines of plumbing products to complement the Sterling product you've chosen. Sign up for the Sterling monthly e-newsletter which showcases our latest product innovations. You may also call our Sterling Plumbing Answer Center from within the USA at 1-888-STERLING in addition to consulting with your local dealer. Sterling. Strong. Professional. Design.

ENSEMBLE™

Technical Information

Fixture*:	basin area	top area
Bathing well	40" (101.6 cm) x 27" (68.6 cm)	52" (132.1 cm) x 35" (88.9 cm)
To overflow	water depth	capacity
	11" (27.9 cm)	55 gal (208.2 L)
* Approximate measurements for comparison only.		

Model	door maximum width	door maximum height
71110112 71110122	58-1/2" (148.6 cm)	56" (142.2 cm)

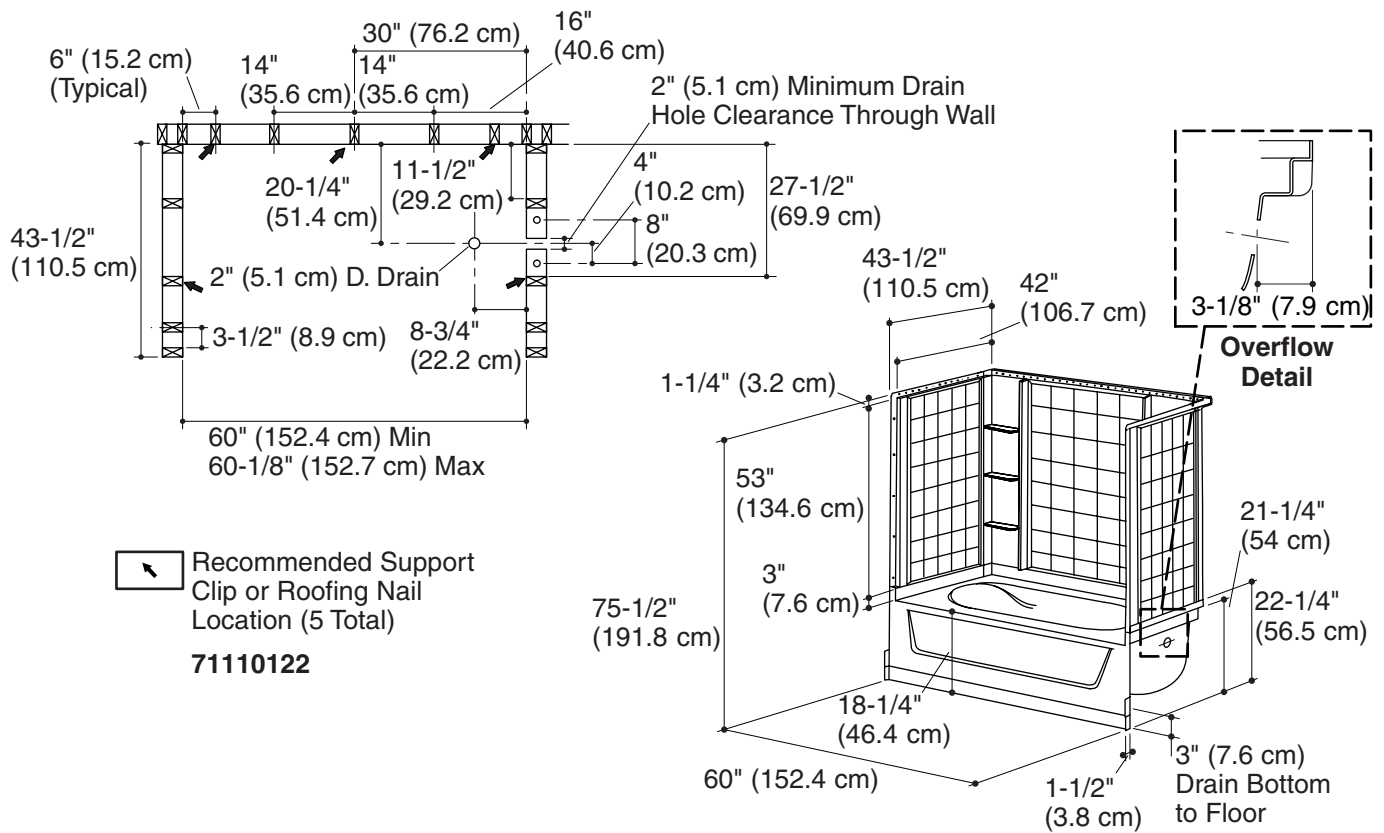
Installation Notes

Install this product according to the installation guide.

Size the drain hole clearance to fit the drain assembly that will be used.

Stud positioning is critical.

Studs should be positioned roughly as shown for support clip or roofing nail installation.



Product Diagram

ENSEMBLE™ 42" (106.7 cm) AFD BATH/SHOWER SYSTEM

Page 2 of 2
1021860-4-E



Free Manuals Download Website

<http://myh66.com>

<http://usermanuals.us>

<http://www.somanuals.com>

<http://www.4manuals.cc>

<http://www.manual-lib.com>

<http://www.404manual.com>

<http://www.luxmanual.com>

<http://aubethermostatmanual.com>

Golf course search by state

<http://golfingnear.com>

Email search by domain

<http://emailbydomain.com>

Auto manuals search

<http://auto.somanuals.com>

TV manuals search

<http://tv.somanuals.com>