



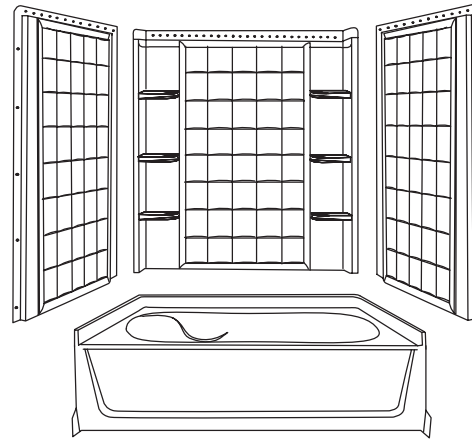
A KOHLER COMPANY

ENSEMBLE™

Features

- Compression molded from Sterling's exclusive solid Vikrell® material
- Gentle sloping back, neck, and armrest in bath design
- Bath and integral apron eliminates installation step
- Lightly pebbled bottom surface for sure footing
- Durable high gloss finish
- 10 year consumer/3 year commercial limited warranty
- Available with above-the-floor drain
- Wall surround allows for attachment of grab bars
- 60" (152.4 cm) x 43-1/2" (110.5 cm) x 73-1/4" (186.1 cm) complete unit rough-in dimensions include flange
- 60" (152.4 cm) x 42" (106.7 cm) x 72" (182.9 cm) complete unit finished dimensions

42" (106.7 cm) OVAL BATH/SHOWER SYSTEM WITH BACKER BOARDS 71110116



Codes/Standards Applicable

Specified model meets or exceeds the following:

- ASTM E84
- ANSI Z124.1.2
- IAPMO/UPC
- HUD, UM Bulletin 73A
- NAHB Research Foundation, Inc.

Colors/Finishes

- 0: White
- Other: Refer to Price Book for additional colors/finishes

Specified Model

Model	Complete Unit Description	Colors/Finishes	
71110116	42" (106.7 cm) oval bath and wall surround with backer boards, left drain	<input type="checkbox"/> 0	<input type="checkbox"/> Other _____
71110118	42" (106.7 cm) oval bath and wall surround with backer boards, above-the-floor left drain	<input type="checkbox"/> 0	<input type="checkbox"/> Other _____
71110126	42" (106.7 cm) oval bath and wall surround with backer boards, right drain	<input type="checkbox"/> 0	<input type="checkbox"/> Other _____
71110128	42" (106.7 cm) oval bath and wall surround with backer boards, above-the-floor right drain	<input type="checkbox"/> 0	<input type="checkbox"/> Other _____
Model	Wall Component Description	Colors/Finishes	
71114106	Complete wall set with backer boards	<input type="checkbox"/> 0	<input type="checkbox"/> Other _____

SterlingPlumbing.com

Visit us online for fixture color choices, detailed product information, color photos, installation instructions, care guides, and warranties. Sterling offers additional lines of plumbing products to complement the Sterling product you've chosen. Sign up for the Sterling monthly e-newsletter which showcases our latest product innovations. You may also call our Sterling Plumbing Answer Center from within the USA at 1-888-STERLING in addition to consulting with your local dealer. Sterling. Strong. Professional. Design.

ENSEMBLE™

Technical Information

Fixture:*	basin area	top area
Bathing well	40" (101.6 cm) x 27" (68.6 cm)	52" (132.1 cm) x 35" (88.9 cm)
To overflow	water depth	capacity
	16" (40.6 cm)	45 gal (170.3 L)
* Approximate measurements for comparison only.		

Model	Door maximum width	Door maximum height
71110116 71110118 71110126 71110128 71110316 71110326	58" (147.3 cm)	55-1/2" (141 cm)

Installation Notes

Install this product according to the installation guide.

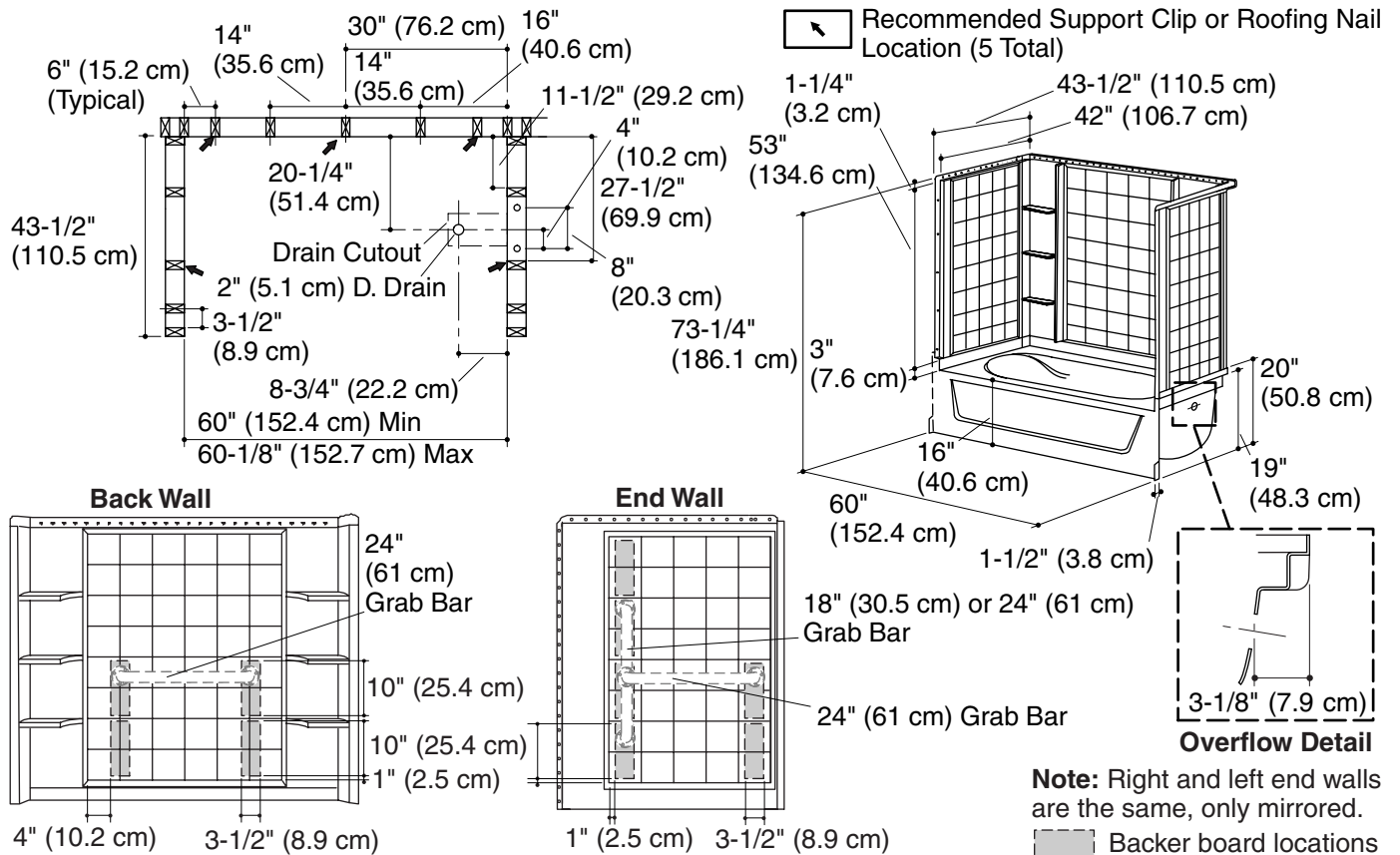
Size the drain cutout to fit the drain assembly that will be used.

End stud positioning is critical if nailing-in flanges are to be used.

Double studding is recommended for pivot shower door installations.

Studs should be positioned roughly as shown for support clip or roofing nail installation.

Attach grab bars at the specified backer board locations only.



Product Diagram

ENSEMBLE™ 42" (106.7 cm) OVAL BATH/SHOWER SYSTEM WITH BACKER BOARDS

Page 2 of 2
1065809-4-A



Free Manuals Download Website

<http://myh66.com>

<http://usermanuals.us>

<http://www.somanuals.com>

<http://www.4manuals.cc>

<http://www.manual-lib.com>

<http://www.404manual.com>

<http://www.luxmanual.com>

<http://aubethermostatmanual.com>

Golf course search by state

<http://golfingnear.com>

Email search by domain

<http://emailbydomain.com>

Auto manuals search

<http://auto.somanuals.com>

TV manuals search

<http://tv.somanuals.com>