



A KOHLER COMPANY

ACCORD™

Features

- Above floor drain rough-in
- Compression molded from Sterling's exclusive solid Vikrell® material
- Modular 4-piece design
- Pivot "snap together" installation
- Caulkless installation
- Durable high gloss finish
- Wall surround available with smooth finish or glazed tile appearance
- 10 year consumer/3 year commercial limited warranty
- 60" (152.4 cm) x 31-1/4" (79.4 cm) x 75-1/2" (191.8 cm) complete unit rough-in dimensions include flanges
- 60" (152.4 cm) x 30" (76.2 cm) x 74-1/4" (188.6 cm) complete unit finished dimensions
- 17-1/4" (43.8 cm) bath depth (floor to top of dam)

Codes/Standards Applicable

Specified model meets or exceeds the following:

- ANSI Z124.1.2
- IAPMO/UPC
- ASTM E162
- ASTM E662
- CSA B45.0
- CSA B45.5

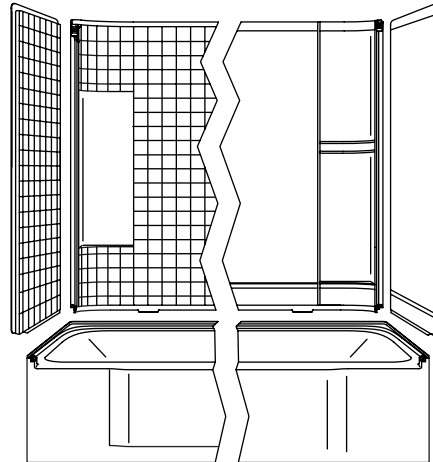
Specified Model

Model	Complete Unit Description	Colors/Finishes	
71140112	Tile finish wall surround and AFD bath with left drain	<input type="checkbox"/> 0	<input type="checkbox"/> Other_____
71140122	Tile finish wall surround and AFD bath with right drain	<input type="checkbox"/> 0	<input type="checkbox"/> Other_____
71240112	Smooth finish wall surround and AFD bath with left drain	<input type="checkbox"/> 0	<input type="checkbox"/> Other_____
71240122	Smooth finish wall surround and AFD bath with right drain	<input type="checkbox"/> 0	<input type="checkbox"/> Other_____

60" (152.4 cm) AFD BATH/SHOWER SYSTEM

71140112

ALSO 71140122, 71240112, 71240122



Colors/Finishes

- 0: White
- Other: Refer to Price Book for additional colors/finishes

SterlingPlumbing.com

Visit us online for fixture color choices, detailed product information, color photos, installation instructions, care guides, and warranties. Sterling offers additional lines of plumbing products to complement the Sterling product you've chosen. Sign up for the Sterling monthly e-newsletter which showcases our latest product innovations. You may also call our Sterling Plumbing Answer Center from within the USA at 1-888-STERLING in addition to consulting with your local dealer. Sterling. Strong. Professional. Design.

Technical Information

Fixture*:	basin area	top area
Bathing well	46-1/4" (117.5 cm) x 20-1/2" (52.1 cm)	52-1/4" (132.7 cm) x 22-1/2" (57.2 cm)
To overflow	water depth	capacity
	11" (27.9 cm)	34 gal (128.7 L)
* Approximate measurements for comparison only.		

Model	door maximum width	door maximum height
71140112 71140122 71240112 71240122	56-3/4" (144.1 cm)	56-1/2" (143.5 cm)

Installation Notes

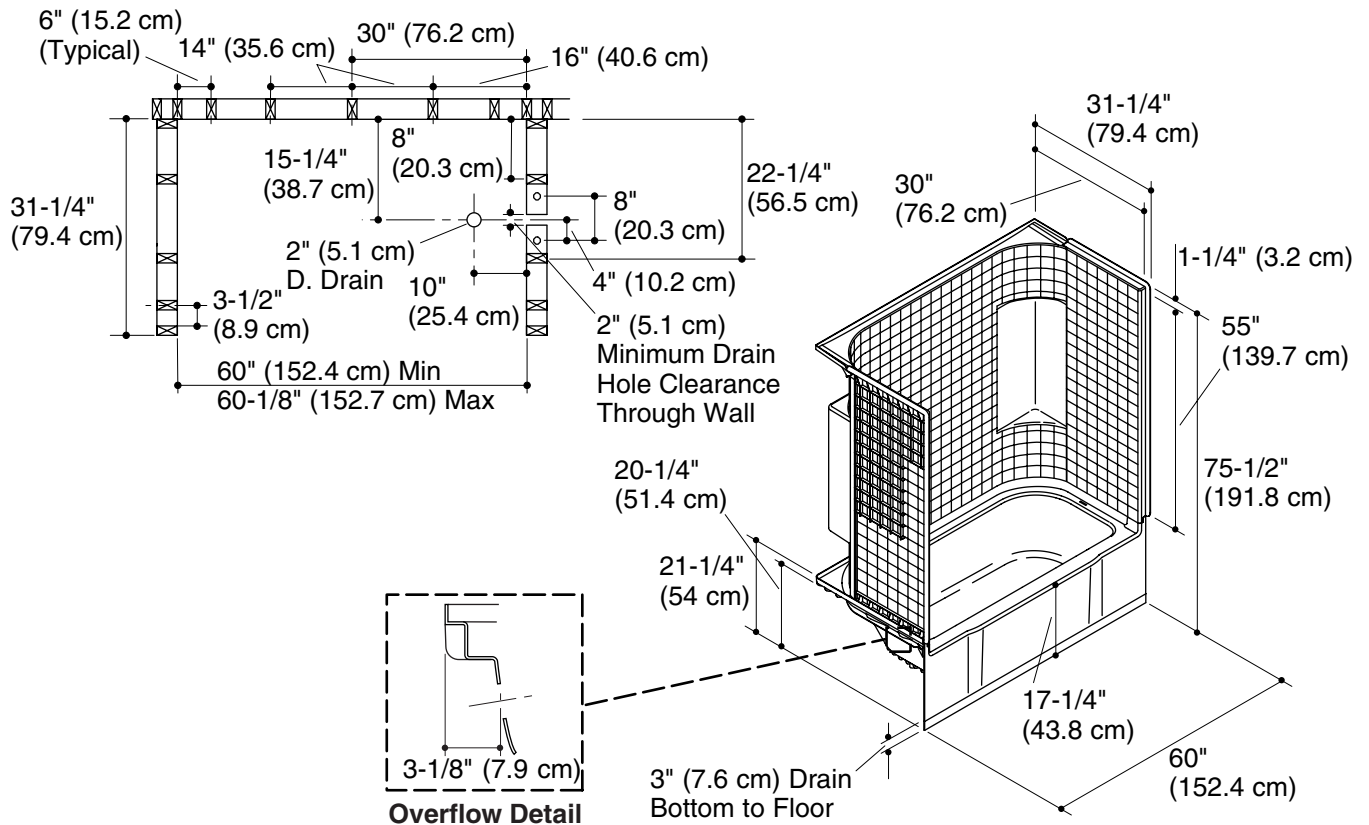
Install this product according to the installation guide.

Size the drain hole clearance to fit the drain assembly that will be used.

End stud positioning is critical.

Studs should be positioned roughly as shown for wall surround installation.

Bath cannot be installed without the wall surround.



Product Diagram

Free Manuals Download Website

<http://myh66.com>

<http://usermanuals.us>

<http://www.somanuals.com>

<http://www.4manuals.cc>

<http://www.manual-lib.com>

<http://www.404manual.com>

<http://www.luxmanual.com>

<http://aubethermostatmanual.com>

Golf course search by state

<http://golfingnear.com>

Email search by domain

<http://emailbydomain.com>

Auto manuals search

<http://auto.somanuals.com>

TV manuals search

<http://tv.somanuals.com>