



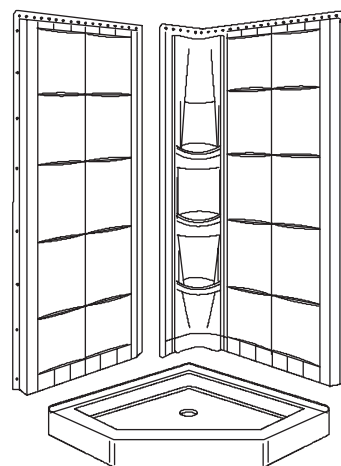
A KOHLER COMPANY

INTRIGUE™

Features

- Receptor can be ordered separately
- Compression molded from Sterling's exclusive solid VIKRELL™ material
- Modular 3-piece design
- Lightly pebbled bottom surface for sure footing
- Tongue-and-groove "snap together" design allows for easy installation
- Durable high gloss finish
- 10 year consumer/3 year commercial limited warranty
- 40-1/4" (102.2 cm) x 40-1/4" (102.2 cm) x 80-3/8" (204.2 cm) unit rough-in dimensions include flange
- 39" (99.1 cm) x 39" (99.1 cm) x 79-1/8" (201 cm) complete unit finished dimensions

39" (99.1 cm) NEO-ANGLE SHOWER RECEPTOR AND WALL SURROUND 72040100



Codes/Standards Applicable

Specified model meets or exceeds the following:

- ASTM E84
- ANSI Z124.2
- IAPMO/UPC
- HUD, UM Bulletin 73A
- NAHB Research Foundation, Inc.

Colors/Finishes

- 0: White
- Other: Refer to Price Book for additional colors/finishes

Specified Model

Model	Complete Unit Description	Colors/Finishes	
72040100	39" (99.1 cm) neo-angle shower receptor and wall surround	<input type="checkbox"/> 0 White	<input type="checkbox"/> Other_____

Model	Wall Component Description	Colors/Finishes	
72043110	Left end tile wall	<input type="checkbox"/> 0 White	<input type="checkbox"/> Other_____
72043120	Right end tile wall	<input type="checkbox"/> 0 White	<input type="checkbox"/> Other_____
72044100	Tile wall set	<input type="checkbox"/> 0 White	<input type="checkbox"/> Other_____
72044800	Tile wall set, specialty	<input type="checkbox"/> 0 White	

SterlingPlumbing.com

Visit us online for fixture color choices, detailed product information, color photos, installation instructions, care guides, and warranties. Sterling offers additional lines of plumbing products to complement the Sterling product you've chosen. Sign up for the Sterling monthly e-newsletter which showcases our latest product innovations. You may also call our Sterling Plumbing Answer Center from within the USA at 1-888-STERLING in addition to consulting with your local dealer. Sterling. Strong. Professional. Design.

INTRIGUE™

Technical Information

Model	door maximum width	door maximum height
72040100	15-7/8" (40.3 cm) x 27-3/8" (69.5 cm) x 15-7/8" (40.3 cm)	74" (188 cm)

Installation Notes

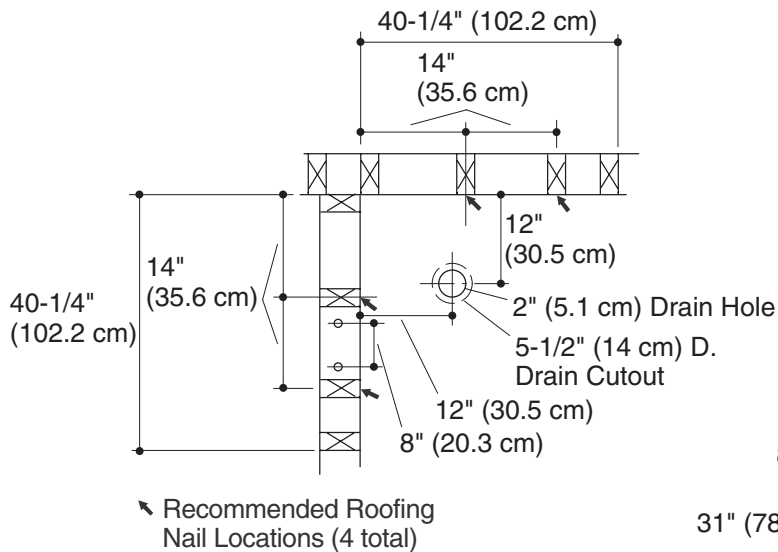
Install this product according to the installation guide.

Size the drain cutout to fit the drain assembly that will be used.

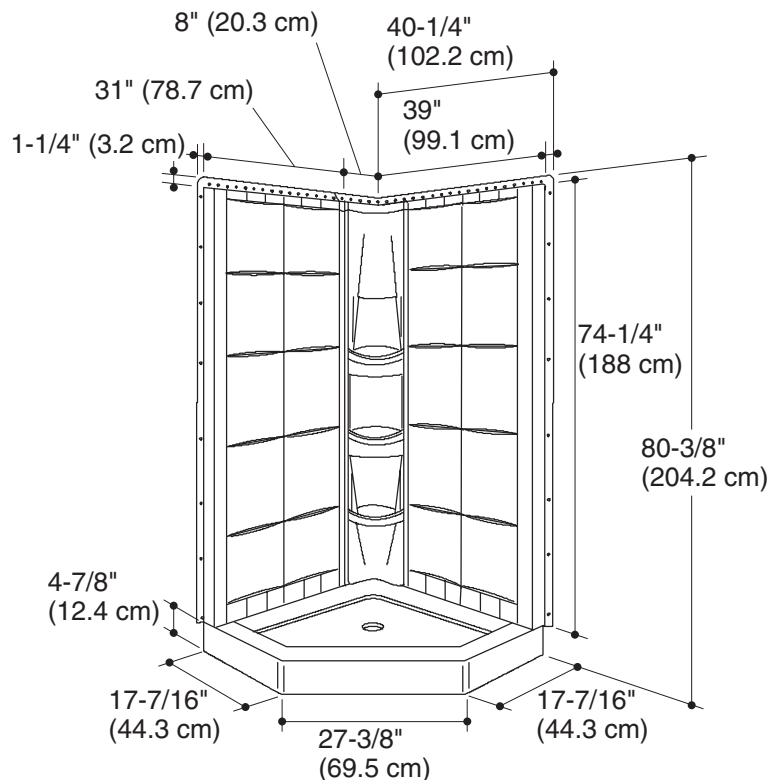
End stud positioning is critical if nailing-in flanges are to be used.

Double studding is recommended for pivot shower door installations.

Studs should be positioned roughly as shown for roofing nail installation.



72040100



Product Diagram

Free Manuals Download Website

<http://myh66.com>

<http://usermanuals.us>

<http://www.somanuals.com>

<http://www.4manuals.cc>

<http://www.manual-lib.com>

<http://www.404manual.com>

<http://www.luxmanual.com>

<http://aubethermostatmanual.com>

Golf course search by state

<http://golfingnear.com>

Email search by domain

<http://emailbydomain.com>

Auto manuals search

<http://auto.somanuals.com>

TV manuals search

<http://tv.somanuals.com>