



A KOHLER COMPANY

INTRIGUE™

Features

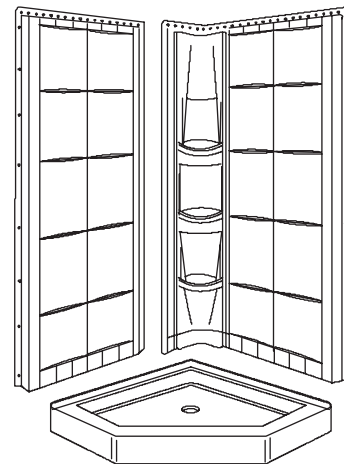
- Compression molded from Sterling's exclusive solid Vikrell® material
- Modular 3-piece design
- Lightly pebbled bottom surface for sure footing
- Tongue-and-groove "snap together" design
- Durable high gloss finish
- 10 year consumer/3 year commercial limited warranty
- Tile design
- Wall surround allows for attachment of grab bars
- 40-1/4" (102.2 cm) x 40-1/4" (102.2 cm) x 80-3/8" (204.2 cm) unit rough-in dimensions include flange
- 39" (99.1 cm) x 39" (99.1 cm) x 79-1/8" (201 cm) complete unit finished dimensions

Codes/Standards Applicable

Specified model meets or exceeds the following:

- ASTM E84
- ANSI Z124.1.2
- IAPMO/UPC
- HUD, UM Bulletin 73A
- NAHB Research Foundation, Inc.

39" (99.1 cm) NEO-ANGLE SHOWER RECEPTOR AND WALL SURROUND WITH BACKER BOARDS 72040106



Colors/Finishes

- 0: White
- Other: Refer to Price Book for additional colors/finishes

Specified Model

Model	Complete Unit Description	Colors/Finishes	
72040106	39" (99.1 cm) neo-angle shower receptor and wall surround with backer boards	<input type="checkbox"/> 0	<input type="checkbox"/> Other_____

Model	Wall Component Description	Colors/Finishes	
72044106	Complete wall set with backer boards	<input type="checkbox"/> 0	<input type="checkbox"/> Other_____
72050106	39" (99.1 cm) corner complete unit	<input type="checkbox"/> 0	<input type="checkbox"/> Other_____

SterlingPlumbing.com

Visit us online for fixture color choices, detailed product information, color photos, installation instructions, care guides, and warranties. Sterling offers additional lines of plumbing products to complement the Sterling product you've chosen. Sign up for the Sterling monthly e-newsletter which showcases our latest product innovations. You may also call our Sterling Plumbing Answer Center from within the USA at 1-888-STERLING in addition to consulting with your local dealer. Sterling. Strong. Professional. Design.

INTRIGUE™

Technical Information

Model	Door maximum width	Door maximum height
72040106	15-7/8" (40.3 cm) x 27-3/8" (69.5 cm) x 15-7/8" (40.3 cm)	74" (188 cm)

Installation Notes

Install this product according to the installation guide.

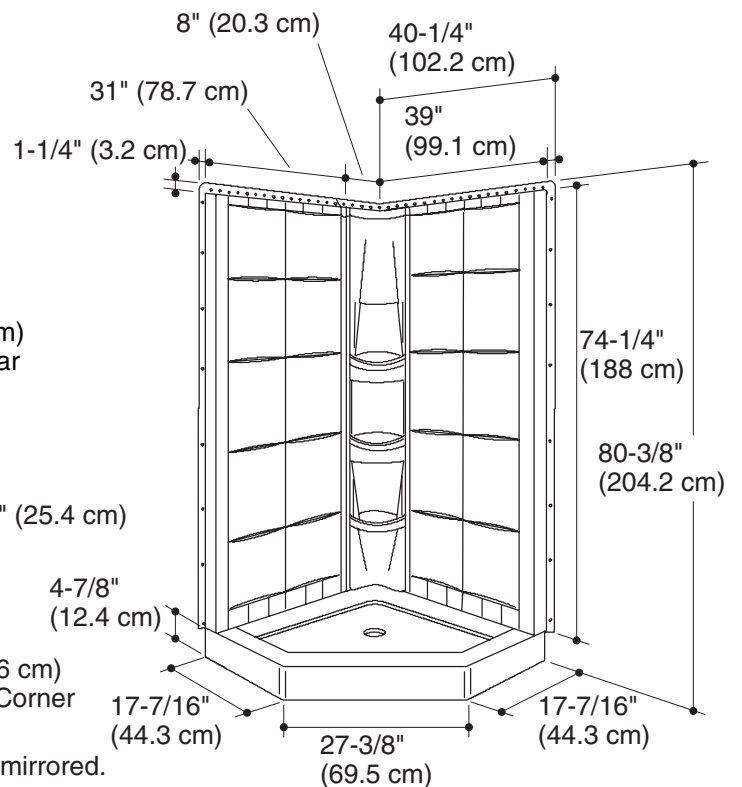
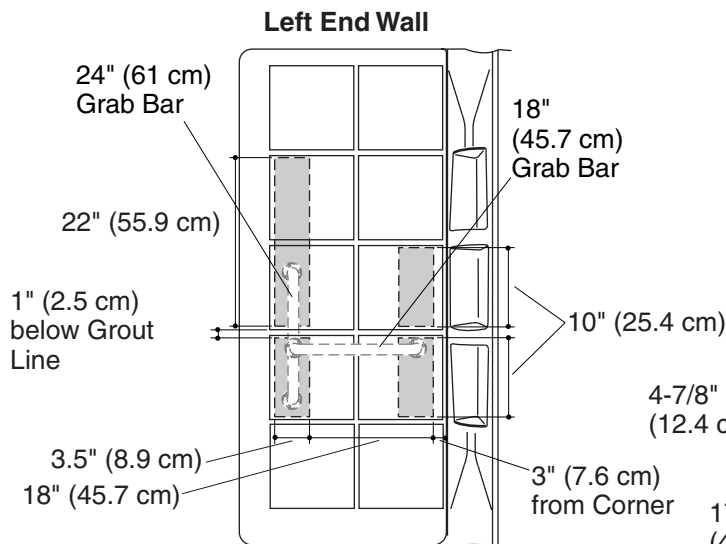
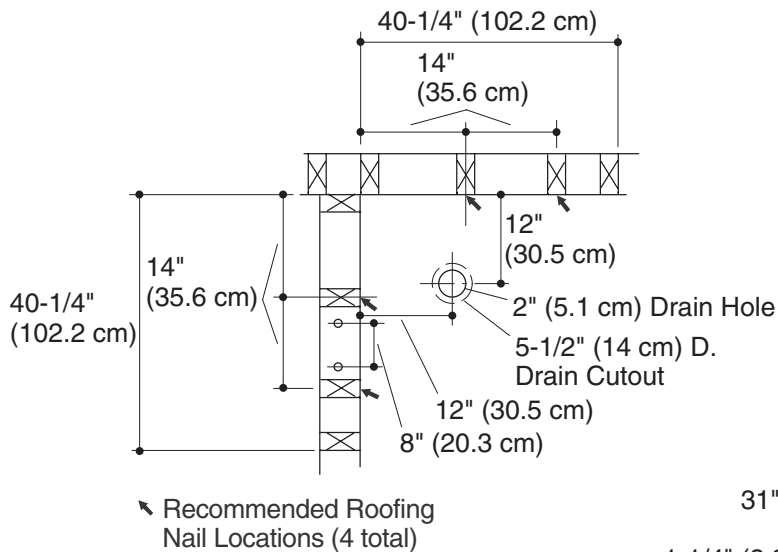
Size the drain cutout to fit the drain assembly that will be used.

End stud positioning is critical if nailing-in flanges are to be used.

Double studding is recommended for pivot shower door installations.

Studs should be positioned roughly as shown for roofing nail installation.

Attach grab bars at the specified backer board locations only.



Note: Right end wall is the same as left end wall, only mirrored.

Backer board locations

Product Diagram

INTRIGUE™ 39" (99.1 cm) NEO-ANGLE SHOWER RECEPTOR AND WALL SURROUND W

Page 2 of 2
1065818-4-A

STERLING
A KOHLER COMPANY

Free Manuals Download Website

<http://myh66.com>

<http://usermanuals.us>

<http://www.somanuals.com>

<http://www.4manuals.cc>

<http://www.manual-lib.com>

<http://www.404manual.com>

<http://www.luxmanual.com>

<http://aubethermostatmanual.com>

Golf course search by state

<http://golfingnear.com>

Email search by domain

<http://emailbydomain.com>

Auto manuals search

<http://auto.somanuals.com>

TV manuals search

<http://tv.somanuals.com>