



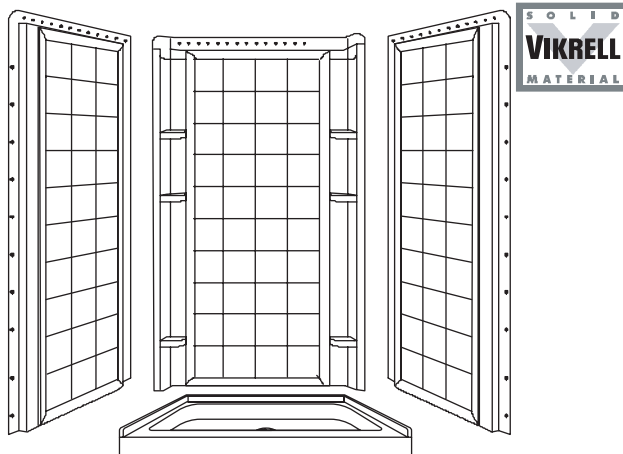
A KOHLER COMPANY

ENSEMBLE™

Features

- Compression molded from Sterling's exclusive solid Vikrell® material
- Modular 4-piece design
- Lightly pebbled bottom surface for sure footing
- Tongue-and-groove "snap together" design
- Durable high gloss finish
- 10 year consumer/3 year commercial limited warranty
- Convenient shelves provide generous storage
- Shaving ledge and foot rest added for comfort
- Tile design
- Wall surround allows for attachment of grab bars
- 48" (121.9 cm) x 35-1/4" (89.5 cm) x 77" (195.6 cm) complete unit rough-in dimensions include flange
- 48" (121.9 cm) x 34" (86.4 cm) x 75-3/4" (192.4 cm) complete unit finished dimensions

48" (121.9 cm) SHOWER SYSTEM WITH BACKER BOARDS 72120106



Codes/Standards Applicable

Specified model meets or exceeds the following:

- ANSI Z124.1.2
- IAPMO/UPC
- CSA B45
- ASTM F462 Slip Resistance

Colors/Finishes

- 0: White
- Other: Refer to Price Book for additional colors/finishes

Specified Model

Model	Complete Unit Description	Colors/Finishes	
72120106	48" (121.9 cm) shower receptor and wall surround with backer boards, center drain	<input type="checkbox"/> 0	<input type="checkbox"/> Other_____

Model	Wall Component Description	Colors/Finishes	
72122106	Back wall with backer boards	<input type="checkbox"/> 0	<input type="checkbox"/> Other_____
72105106	End walls with backer boards	<input type="checkbox"/> 0	<input type="checkbox"/> Other_____

SterlingPlumbing.com

Visit us online for fixture color choices, detailed product information, color photos, installation instructions, care guides, and warranties. Sterling offers additional lines of plumbing products to complement the Sterling product you've chosen. Sign up for the Sterling monthly e-newsletter which showcases our latest product innovations. You may also call our Sterling Plumbing Answer Center from within the USA at 1-888-STERLING in addition to consulting with your local dealer. Sterling. Strong. Professional. Design.

ENSEMBLE™

Technical Information

Model	Door maximum width	Door maximum height
72120106	44-5/8" (113.3 cm)	70-1/2" (179.1 cm)

Installation Notes

Install this product according to the installation guide.

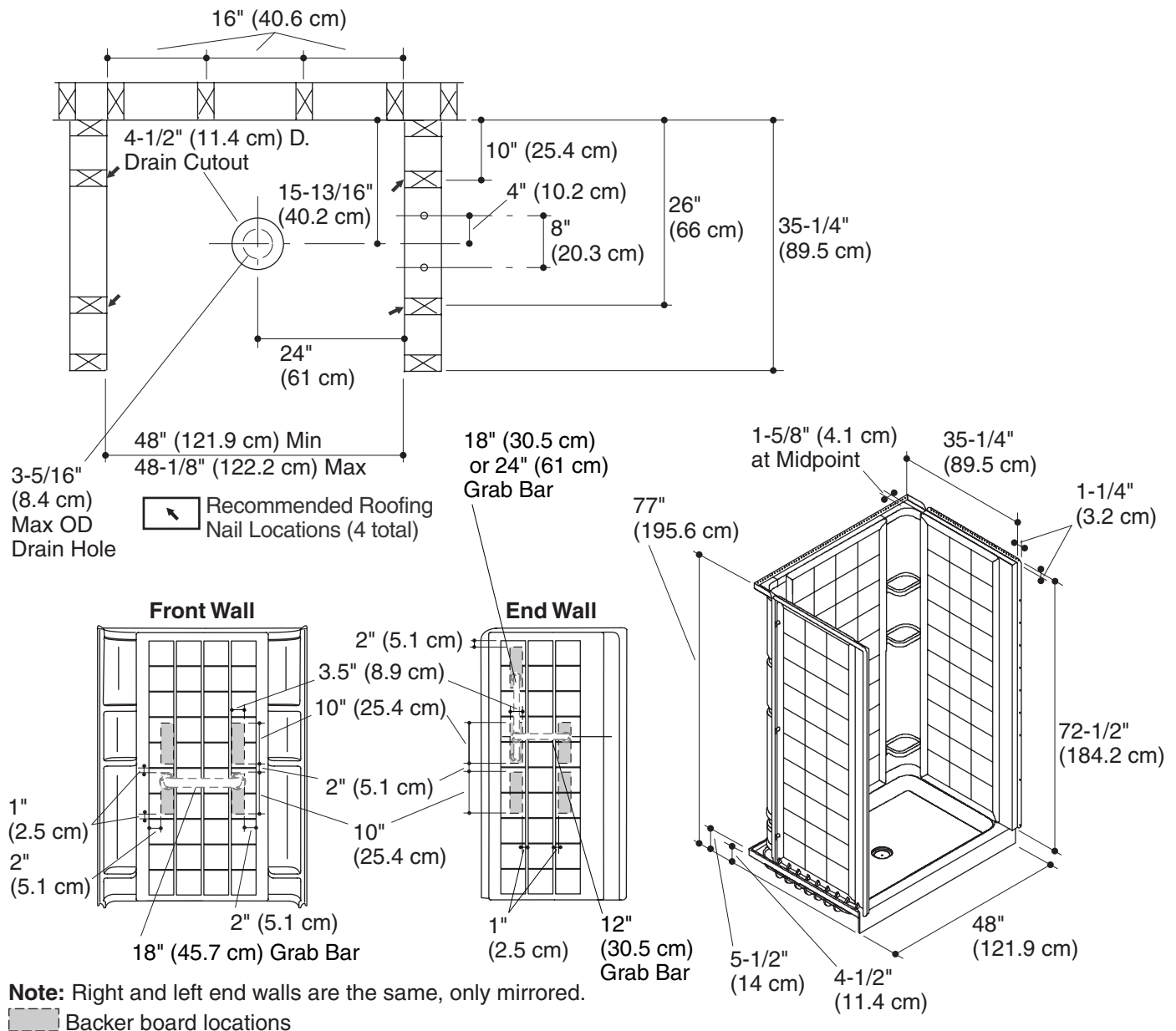
Size the drain cutout to fit the drain assembly that will be used.

End stud positioning is critical if nailing-in flanges are to be used.

Double studding is recommended for pivot shower door installations.

Studs should be positioned roughly as shown for support clip or roofing nail installation.

Attach grab bars at the specified backer board locations only.



Product Diagram

ENSEMBLE™ 48" (121.9 cm) SHOWER SYSTEM WITH BACKER BOARDS

Page 2 of 2
1065812-4-A



Free Manuals Download Website

<http://myh66.com>

<http://usermanuals.us>

<http://www.somanuals.com>

<http://www.4manuals.cc>

<http://www.manual-lib.com>

<http://www.404manual.com>

<http://www.luxmanual.com>

<http://aubethermostatmanual.com>

Golf course search by state

<http://golfingnear.com>

Email search by domain

<http://emailbydomain.com>

Auto manuals search

<http://auto.somanuals.com>

TV manuals search

<http://tv.somanuals.com>