



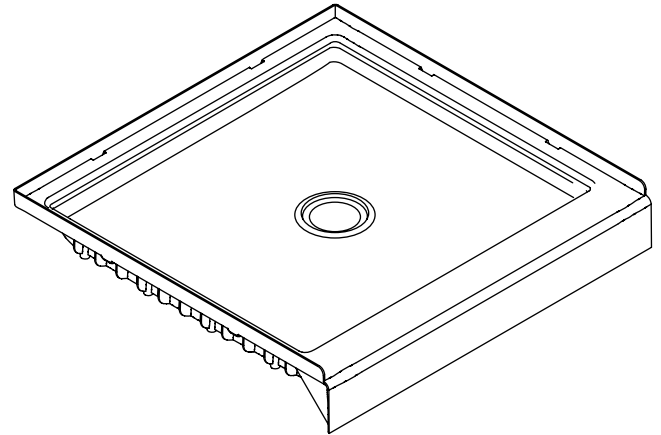
A KOHLER COMPANY

ENSEMBLE™

### Features

- Compression molded from Sterling's exclusive solid Vikrell® material
- Lightly pebbled bottom surface for sure footing
- Durable high gloss finish
- 10 year consumer/3 year commercial limited warranty
- Center drain
- 42" (106.7 cm) x 42" (106.7 cm) X 4-1/2" (11.4 cm) receptor rough-in dimensions include nailing flange
- 42" (106.7 cm) x 42" (106.7 cm) X 3-1/2" (8.9 cm) unit finished dimensions

42" (106.7 cm) x 42" (106.7 cm)  
**SHOWER RECEPTOR**  
**72151100**



### Codes/Standards Applicable

Specified model meets or exceeds the following:

- ANSI Z124.2
- IAPMO/UPC
- CSA B45
- ASTM F462 Slip Resistance

### Colors/Finishes

- 0: White
- Other: Refer to Price Book for additional colors/finishes

### Specified Model

Model	Description	Colors/Finishes	
72151100	42" (106.7 cm) x 42" (106.7 cm) shower receptor, center drain	<input type="checkbox"/> 0	<input type="checkbox"/> Other_____

### SterlingPlumbing.com

Visit us online for fixture color choices, detailed product information, color photos, installation instructions, care guides, and warranties. Sterling offers additional lines of plumbing products to complement the Sterling product you've chosen. Sign up for the Sterling monthly e-newsletter which showcases our latest product innovations. You may also call our Sterling Plumbing Answer Center from within the USA at 1-888-STERLING in addition to consulting with your local dealer. Sterling. Strong. Professional. Design.

# ENSEMBLE™

## Technical Information

Basin area	Weight	Drain Hole
33-13/16" (85.9 cm) x 36-5/16" (92.2 cm)	34 lbs (16 kg)	3-5/16" (8.4 cm)

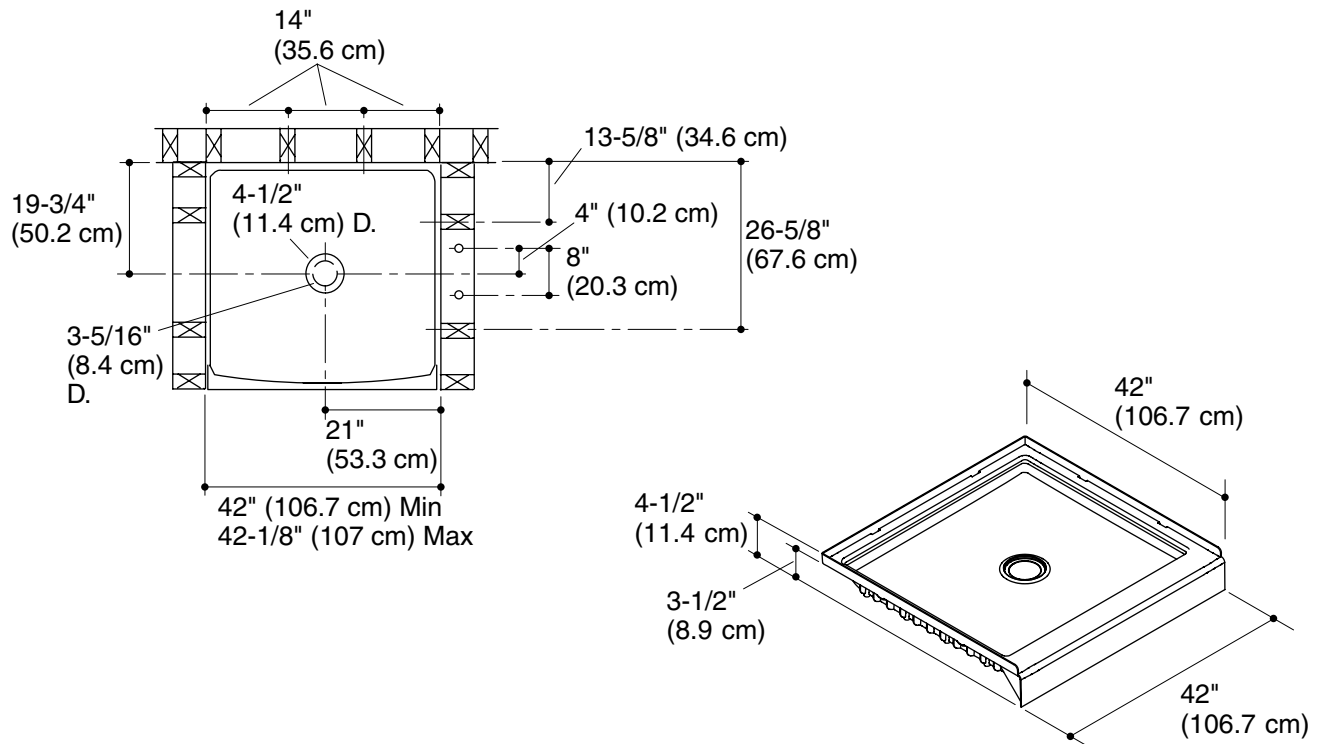
## Installation Notes

Install this product according to the installation guide.

Size the drain cutout to fit the drain assembly that will be used.

Double studding is recommended for pivot shower door installations.

Studs should be positioned as shown.



## Product Diagram

ENSEMBLE™ 42" (106.7 cm) x 42" (106.7 cm) SHOWER RECEPTOR

Page 2 of 2  
1063918-4-A



## Free Manuals Download Website

<http://myh66.com>

<http://usermanuals.us>

<http://www.somanuals.com>

<http://www.4manuals.cc>

<http://www.manual-lib.com>

<http://www.404manual.com>

<http://www.luxmanual.com>

<http://aubethermostatmanual.com>

Golf course search by state

<http://golfingnear.com>

Email search by domain

<http://emailbydomain.com>

Auto manuals search

<http://auto.somanuals.com>

TV manuals search

<http://tv.somanuals.com>