

UNDERCOUNTER KITCHEN SINK 11448

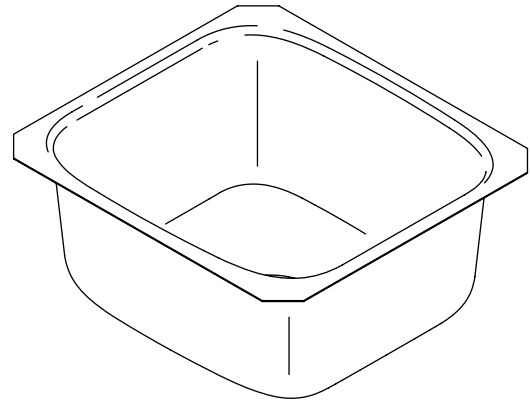
Features

- Includes SilentShield® sound-absorption technology
- Satin finish
- 18-gauge stainless steel
- Undermount rimless design
- 16-1/4" (41.3 cm) x 17-3/4" (45.1 cm) x 8" (20.3 cm)

Codes/Standards Applicable

Specified model meets or exceeds the following:

- ASME A112.19.3/CSA B45.4



Colors/Finishes

- NA: None applicable

Specified Model

| Model | Description | Colors/Finishes |
|-------|---------------------------|-----------------------------|
| 11448 | Undercounter kitchen sink | <input type="checkbox"/> NA |

SPRINGDALE®

Technical Information

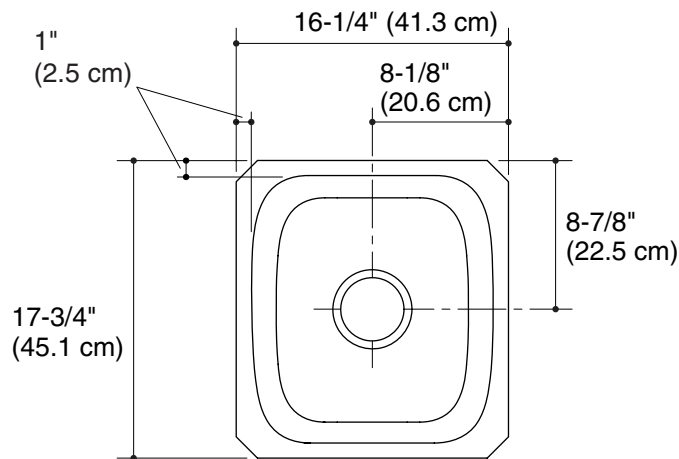
| | |
|---|-------------------------------------|
| Fixture*: | Basin area |
| Sink | 14-1/4" (36.2 cm) x 15-3/4" (40 cm) |
| Drain hole | 3-3/4" (9.5 cm) D. |
| * Approximate measurements for comparison only. | |

| | |
|----------------------|-----------|
| Included components: | |
| Hardware kit | 91915 |
| Cut-out template | 1061195-7 |

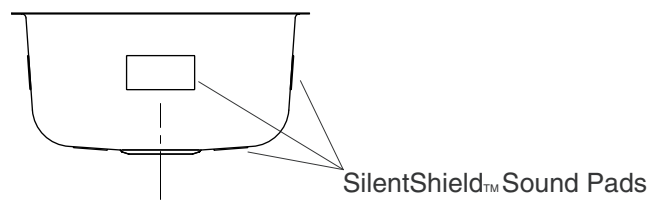
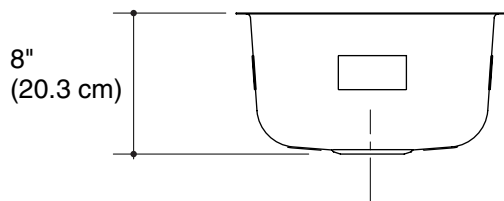
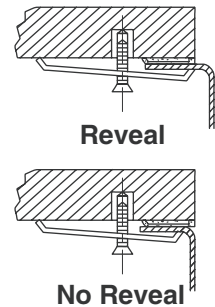
Installation Notes

Install this product according to the installation guide.

Use the supplied cut-out template to select either a hidden or exposed rim.



Mounting bracket assembly provides a secure installation.



Product Diagram

Free Manuals Download Website

<http://myh66.com>

<http://usermanuals.us>

<http://www.somanuals.com>

<http://www.4manuals.cc>

<http://www.manual-lib.com>

<http://www.404manual.com>

<http://www.luxmanual.com>

<http://aubethermostatmanual.com>

Golf course search by state

<http://golfingnear.com>

Email search by domain

<http://emailbydomain.com>

Auto manuals search

<http://auto.somanuals.com>

TV manuals search

<http://tv.somanuals.com>