

▶ Table Of Contents

Safety Instructions...	pages 3-4
ProSport Overview...	pages 4-5
Installation Guidelines...	pages 6-8
Charging Your Batteries...	page 9-10
Maintenance...	page 11
Trouble Shooting...	pages 12-13
Specifications & Accessories...	page 13
Customer Service & Warranty...	page 14

▶ Introduction

Thank you from all of us at Sterling Power Products and congratulations on your recent purchase of the ProSport On-board Marine Battery Charger.

For many years, Sterling Power Products has been a leading designer and manufacturer of marine battery chargers. We have expanded our offering to include our latest line of ProSport chargers. Designed for the sport fisherman and recreational boater, the ProSport series offers many features not seen in competitive chargers.

Please save an read this manual carefully and fully understand the safety instructions before installing your new Sterling ProSport battery charger.

▶ General Safety Instructions

Before connecting your batteries or AC power, read all instructions and cautionary markings on the battery charger and batteries.

CAUTION: To reduce the risk of injury, charge only lead-acid type rechargeable batteries (open lead-acid, sealed lead-acid, gel cell and AGM). Other types of batteries may burst, causing personal injury. The ProSport is factory set for lead-acid batteries.

Use of attachments not recommended or sold by Sterling Power Products may result in a risk of fire, electrical shock or personal injury.

Do not operate the charger if it has received a sharp blow, direct hit of force, has been dropped or otherwise damaged in any way.

Do not disassemble the charger. Call the factory directly when service or repair is required. Incorrect assembly may result in risk of electrical shock or fire.

To reduce the risk of electrical shock, remove AC power from the charger prior to any maintenance or cleaning.

WARNING: RISK OF EXPLOSIVE GASES

Working in the vicinity of a lead-acid battery is dangerous. Batteries generate explosive gases during normal battery operation.

To reduce the risk of battery explosion, follow these instructions and those published by the battery manufacturer, and of any equipment you intend to use in the vicinity of a battery. Review all cautionary markings and labels.

▶ Personal Safety Precautions

Someone should be within the range of your voice or close enough to come to your aid when working near a lead-acid battery.

Have plenty of water and soap nearby in case battery acid comes in contact with skin, clothes or eyes.

Wear complete eye protection and clothing protection. Avoid touching eyes while working with a battery.

If battery acid contacts skin or clothing, wash immediately with soap and water. If acid enters the eye(s), flood eye(s) with running cold water for at least 10 minutes and get medical attention immediately.

Never smoke or allow a spark or a flame in the vicinity of a battery or engine.

Be extra cautious to reduce the risk of dropping a metal tool onto a battery. It may spark or short-circuit the battery or other electrical parts that may cause explosion.

Remove all personal metal items such as rings, bracelets, necklaces, watches, and jewellery when working near a battery. A battery can produce a short circuit high enough to weld a ring or any metal, causing serious burns.

Use the ProSport for charging lead-acid batteries only. It is not intended to supply low voltage electrical systems other than in a marine application. Do not use the battery charger to charge dry cell batteries that are commonly used with home appliances. These batteries may burst and cause injury to persons and property.

► Safety Precautions Prior to Charging Batteries

If necessary to remove a battery from a boat to charge, always remove the grounded terminal from battery first. Make sure all accessories in the boat are off, as to not cause an arc.

Be sure the area around the charger and the batteries is well ventilated while the batteries are being charged. Gases can be forcefully blown away using a piece of cardboard or other nonmetallic material as a fan.

Clean battery terminals with full eye protection to prevent corrosion from coming in contact with eyes.

Add distilled water in each cell until electrolyte reaches levels specified by the battery manufacturer. This helps purge excessive gases from cells. Do not overfill. For batteries without caps, carefully follow the manufacturer's recharging instructions.

Study all manufacturer's specific precautions, such as removing or not removing cell caps while charging, in addition to rates of charge.

Extension cords should be industrial grade / heavy duty and grounded. Check extension cord before use for damage, bent prongs and cuts. Replace if damaged.

Never charge a frozen battery.

Always make your extension cord connection on the charger side first. After connecting the extension cord to the charger proceed to plug the extension cord to a nearby AC RCD-protected (ground fault circuit protected) outlet.

Always remove the extension cord from the AC outlet first when charging is completed, followed by unplugging the charger.

► General Overview

The ProSport charger is a fully automatic, electronic multi-stage on-board marine battery charger. It is prewired for easy installation and is 100% waterproof for fresh and salt water applications.

The ProSport incorporates an extruded aluminium housing with plastic end caps. This design offers improved durability and heat transfer while comparing it to full plastic case competitive products. The ProSport offers multi-stage charging which includes a "float" maintenance mode that is safe for long and short term storage. ProSport can be left on indefinitely without harming or overcharging your batteries.

The ProSport's DISTRIBUTED-ON-DEMAND™ multi-stage charging technology will automatically sense and distribute 100% of the available charging amp output, i.e. 8, 12 or 20 amps (model specific) to any one bank or combination of all banks. Each battery bank output is fully isolated.

Easy to view LED indicators will provide you with AC power on and charging status. The LED indicators can be seen from the front and the side of the charger when installed.

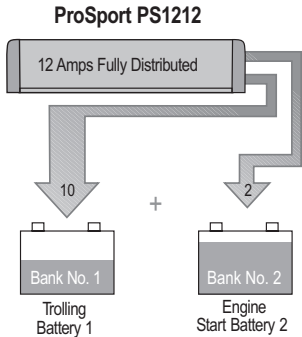
The ProSport is available in different models and can be used in 12, 24 and 36 volt configurations (model specific) without rewiring or switching. Just attach the DC output cable terminals as illustrated in the installation section of this manual.

With your ProSport plugged in properly, it will automatically and fully charge your batteries while it conditions and extends the life of your batteries. When you are not at the boat you can leave your charger plugged in to reduce sulfate buildup allowing your batteries to be fully charged and maintained until your next boat trip.

► Distributed-On-Demand™ Charging Technology

ProSport's DISTRIBUTED-ON-DEMAND™ feature will automatically distribute 100% of its available charging amps of 8, 12 or 20 amps (model specific) to any one bank or combination of all battery banks. This feature ensures all available charging amps are used unlike other 2 and 3 bank chargers with a fixed amp limit per bank.

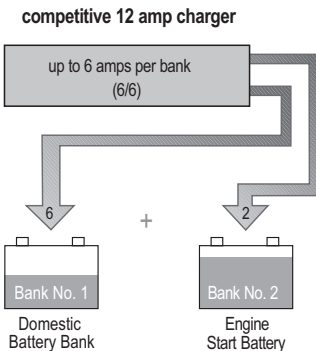
Distributed-On-Demand™ Multi-Stage Charging Overview



ProSport's DISTRIBUTED-ON-DEMAND™ charging technology ensures that 100% of the available charging amps are fully utilized. The ProSport charger will distribute its total available charging amps to meet the demand of each battery on-board.

Let's say your engine start battery only needs 2 amps from your ProSport PS1212 2-bank charger. No problem, because the unused 10 amps will be automatically distributed to the domestic battery bank. A conventional 12 amp charger could only provide a total of 6 amps to the domestic battery bank, leaving 4 amps of charging capacity unused.

Typical Leading Competitive Charging Output



Competitive conventional chargers typically have an amp limitation per battery bank. As illustrated, the 12 amp charger cannot transfer the unused 4 amps not required by the engine start battery, leaving only a maximum of 6 amps for the domestic battery bank.

Note: Above illustration reflects typical battery usage after a day of fishing. Trolling motor batteries are 50% discharged and not usable. Engine start battery is 90% charged from the engine charging system.

► Installation

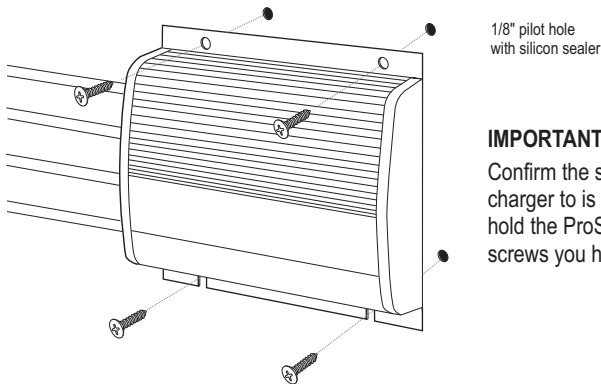
All ProSport battery chargers are designed to be permanently mounted on-board and can be mounted with the extruded fins placed vertically or horizontally. Always mount your ProSport charger in a compartment area that can be properly ventilated during use.

Do not mix battery types on-board. All batteries should be of the same age and in good operating condition.

Do not make any electrical connections to the ProSport or to the batteries until the following steps are completed:

11 Easy-to-follow Installation Steps:

1. Select a mounting location that allows for free air ventilation with a minimum of 8 inches of clear, unobstructed space around and in front of the charger. Open all battery and engine compartments and ventilate for at least 15 minutes before starting the installation of the charger.
2. Confirm the selected mounting location allows for a minimum of 8 inches of free space around the front and the sides of the charger. Do not install the charger on carpeted, upholstered, vinyl or varnished surfaces. Be sure to place the ProSport charger in an accessible area where all indicators are viewable. Confirm all battery cables can reach each of the batteries.
3. Using the ProSport charger as a template use a small awl or screwdriver to mark the position of each mounting hole.
4. Using a 1/8" drill bit, drill pilot holes in the four marked locations as described in step 3. Apply a silicon sealer in each of the mounting locations to waterproof the screw holes.
5. Position the ProSport charger over the mounting holes and secure with a power screwdriver by installing 4 marine grade or stainless steel screws (mounting screws not included).



IMPORTANT NOTICE:

Confirm the surface you will be mounting the charger to is adequate in strength and thickness to hold the ProSport in place with the mounting screws you have selected.

6. Prepare each battery in advance by cleaning each terminal post with a wire brush until a shiny surface is obtained.

IMPORTANT NOTICE:

As you prepare to attach the positive (red) and negative (yellow or black wires) to the batteries there will be a brief low power spark that is generated as you make the connection. This is due to the high frequency capacitors taking a charger.

Make sure the black (or yellow) wires are connected as illustrated to the negative side of the battery and the red wires are connected to the positive side of the battery.

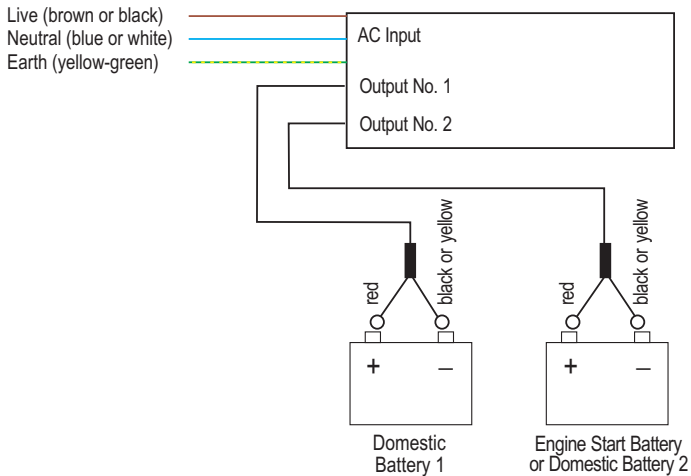
7. Run your cables free from sharp objects and hold each of them in place with cable ties. Coil excess cable, do not cut or shorten the length of the cables as there are in-line fuses located 4 inches from the end of each positive(red) cable. These fuses are in place to protect the charger and output cables in the event of a short or reverse polarity..
8. Connect the DC output cables as illustrated. Make sure the negative (black or yellow) wires are connected as illustrated to the negative side of the battery and the positive (red) wires are connected to the positive side of the battery.
9. Make sure all DC connections are tight and correct.
10. Locate the AC power cord in an open-air area of your boat at least 21 inches from the charger, batteries and fuel fill lines.
11. Connect a heavy duty extension cord to the charger first. After connecting the extension cord to the charger proceed to plug the extension cord to a nearby RCD-protected (ground fault circuit interrupt) outlet. Always remove the extension cord from the AC outlet first when charging is completed, followed by unplugging the charger.

You are now connected and charging your batteries. View the LED indicators. Assuming your batteries are discharged you should observe both the green "Power On" LED and the red "Charging" LED on, indicating charging mode is in process.

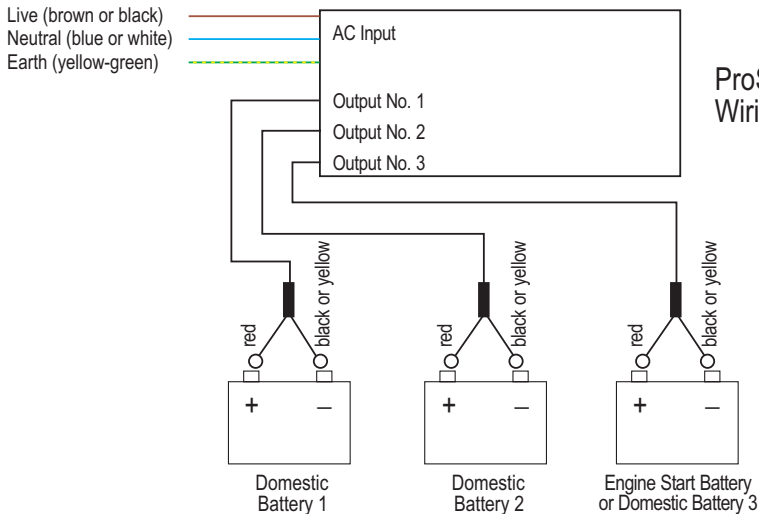
Wiring Diagrams

If only two batteries are used with a 3-bank charger, then connect the unused output cable to either one of the two batteries, as instructed in item 8 above.

Always connect each charger output to a single 12V battery even if the batteries are wired in series for 24V or 36V.



ProSport 8, 12 and 20
Wiring Diagram

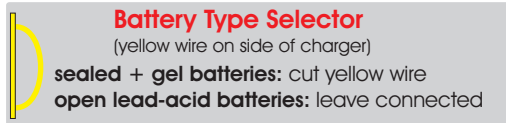


ProSport 20plus
Wiring Diagram

▶ Battery Type Selection

IMPORTANT NOTICE: Lead-Acid / Gel Battery Selector

The ProSport battery charger is factory set for lead-acid batteries. It can be reset for gel batteries by using the one-time gel selector. This selector is simply a jumper on the side of the charger where the DC cables are located. By cutting and removing the jumper the ProSport will be set for gel batteries. After cutting the jumper fill the dimpled area with a marine grade silicon sealant. Please contact Sterling Power Products if you have any questions regarding the correct battery type setting. This is a one-time selector.



▶ Charging Batteries

The Sterling ProSport series is designed to charge, condition and maintain your batteries. Please follow these steps each time you use your ProSport charger.

1. Open all battery compartments and ventilate for at least 15 minutes before applying AC power to your charger. While charging your batteries make sure to keep your battery compartment open, allowing for free air ventilation.
2. Make sure all DC battery connections are tight and clean. Follow the battery manufacturer's recommendation for battery cell caps. Loosen caps if applicable.
3. Connect a heavy duty extension cord to the ProSport charger first. After connecting the extension cord to the charger proceed to plug the extension cord to a nearby RCD-protected AC power outlet.
4. Observe the on-board LED indicators for a solid green and red indication. This will tell you the batteries are in the charging process.
5. Charge your batteries until only the green LED indicator remains on. This indicates that the charging process is completed and your batteries are fully charged and are now being maintained in a gentle float / storage mode. (Recommended while your boat is not in use.) The ProSport can be left on in this mode indefinitely and will never overcharge your batteries.
6. When ready to use your boat, unplug the extension cord from the AC power outlet first, followed by unplugging the charger.

▶ AC Power and Charging LED Status Indicators

The ProSport includes two LED indicators as shown below.

Green “AC Power” LED indicator:

When on, the green LED indicates that AC power is present.

Red “Charging” LED indicator

When on, the red LED indicates that the batteries are in the multi-stage charging mode. When charging is complete, only the green “AC Power” LED will remain on.

L.E.D. information

Green on = Power on ■
Red on = High charge on ■
Red off = Battery full, on float

▶ Multi-Stage Charging Overview

When the ProSport charger is turned on, the green AC power indicator will turn on followed by the red charging LED indicator.

The multi-stage charger will provide the following:

ProSport Charging

During this mode the ProSport will use its available charging amps (as controlled by temperature) until the battery voltage is raised to 14.6V DC (lead-acid factory setting).

ProSport Conditioning

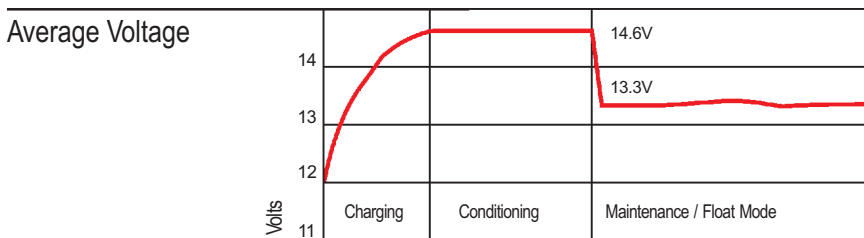
The ProSport will hold batteries at 14.6V DC (factory set for lead-acid batteries) to complete charging while conditioning batteries by desulfating each battery connected. Upon completion the ProSport will go into float mode.

3. Float / Maintenance Mode

During this mode the red “Charging” LED will turn off, indicating that the charging process is over and that the charger is now maintaining your batteries on-board. Only the green LED will remain on, indicating “Power On / Float-Maintenance Mode”.

This is a precision 13.3 volts (lead-acid factory setting) finishing voltage that maintains each battery, perfect for short or long storage periods and never overcharging your batteries (step down voltage regulation mode).

Note: The only LED indicator that will be on during the float mode will be the green “Power On” LED indicator.



Owner's Periodic Maintenance Guide

Item: Battery Connections	
Process:	Clean and tighten all battery connections. Follow battery manufacturer's instructions for cleaning a battery. Clean all battery terminals with a wire brush where required and tighten all battery connections.
When:	Monthly

Item: Battery Electrolyte	
Process:	Per battery manufacturer's instructions monitor and maintain proper levels of distilled water in each battery.
When:	Monthly

Item: ProSport DC Output Wiring	
Process:	Visually inspect all wiring for cuts and abrasions. Contact Sterling Power Products if charger needs to be serviced with new wiring.
When:	Monthly

Item: AC Power Cord and Mounting Hardware Inspection	
Process:	Visually inspect the AC power cord. Confirm ground blade is present and plug blades are in good condition and not bent out of place. Check all mounting hardware to ensure there is no loose hardware. Tighten where required.
When:	Monthly

▶ Trouble Shooting Guide

No Red or Green LED Indicator

Check for loss of power at the AC outlet. Confirm RCD has not tripped. Check with a meter or AC test light that AC is present at the end of your extension cord.

Confirm all charger cables are installed with the correct polarity connections at each battery and that all connections are clean and tight.

With the AC power removed and the engine switched off, check the charge level of each battery with a DC meter or with the Sterling DC Voltage Probe & Diagnostics Tool. If there is no charge level indication for a battery, check each battery with a hydrometer to determine if it has one or more bad cells. (Batteries should always be replaced in sets and always the same type.)

If everything above checks out okay and you still don't get any output from the charger, contact Sterling Power Products for product service.

Battery is Not Charging, Red and Green Indicator is "on"

Confirm all charger cables are installed with the correct polarity connections at each battery, and that all connections are clean and tight. *Reverse polarity connections will blow output fuse, resulting in no output voltage.*

With the charger on, read DC voltage at each battery. If any of the readings are less than 13 volts, proceed with the following:

A. Disconnect AC power at the AC outlet.

B. Remove charger cables from each battery.

C. Reconnect AC power and read DC voltage across each output cable. If output voltage is approximately 13 volts, then the charger is okay and each battery should be tested with a hydrometer with the charger and the engine off to determine if one or more batteries have bad cells. (Batteries should always be replaced in sets and always the same type.)

D. If there is no output when trying to read DC voltage, check each output fuse and replace as needed.

If the DC voltage at each charger output is less than 13.0 volts, contact Sterling Power Products for product service.

▶ Important Notice: FCC Class A Part 15 Notification

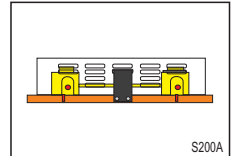
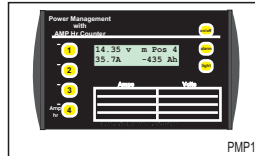
Your Sterling ProSport battery charger has been designed and tested to comply with FCC Class A part 15. These regulations are to provide adequate protection against harmful interference while operated in a commercial application. If in a residential setting you are encountering interference with TV and radio reception, simply remove AC from the ProSport to confirm if your battery charger is causing interference. As an end user you can explore the following measures to minimise interference.

- 1) Choose a different AC circuit to power your ProSport charger.
- 2) Make sure all electrical appliances are properly grounded.
- 3) Re-position receiving aerial.

► Important Notice: FCC Class A Part 15 Notification Continued

- 4) Make sure that all AC, DC and aerial cables are well apart from each other. Use shielded cables or special, separate shielding devices.
- 5) Relocate charger so that it is at the furthest point from home receiving equipment (TV, radio etc.).

► Optional Accessories



Artikel

Artikel-Nr.

DC Voltage Probe & Diagnostics Tool for 12V Systems
 DC Voltage Probe & Diagnostics Tool for 24V Systems
 Clamp-on DC/AC Amp & Volt Meter
 Power Management Panel with Amp Hour Counter
 200A Shunt for Power Management Panel

TM12V
 TM24V
 CLAMP1
 PMP1
 S200A

To place an order please contact your local Sterling dealer. A dealer directory can be found on www.sterling.power.com.

► Sterling Power Management Panel

The Sterling Power Management Panel is the perfect complimentary product for your ProSport battery charger. It measures voltages and amps independently at up to four different measuring points and, for example, keeps you informed about the charge current and the charge voltage. Moreover, it includes an amp hour counter to indicate how many amp hours you have used or recharged. Contact your local Sterling dealer for further details on this product.

► Specifications

Model	Voltage	Amps	battery banks	Size W x H x D (mm)	Weight	AC Input Voltage
ProSport8	12/24	8A max.	max. 2	184 x 64 x178	3,6kg	180V - 264V AC
ProSport12	12/24	12A max.	max. 2	184 x 64 x216	4,1kg	180V - 264V AC
ProSport20	12/24	20A max.	max. 2	184 x 64 x273	4,5kg	180V - 264V AC
ProSport20plus	12/24/36	20A max.	max. 3	184 x 64 x273	5,0kg	180V - 264V AC
ProSport20-110	12/24	20A max.	max. 2	184 x 64 x273	4,5kg	90V - 135V AC
ProSport20plus-110	12/24/36	20A max.	max. 3	184 x 64 x273	5,0kg	90V - 135V AC

► Customer Service & Warranty

We are committed to customer satisfaction and value your business. If at any time during the warranty period you experience a Problem with your Sterling ProSport charger, simply call us on +44 (0)1905 453999 for technical support.

ProSport Limited Two-Year Factory Warranty

Each ProSport model is guaranteed against defects in material and workmanship to the original consumer in normal use for 2 years from the date of purchase. Sterling Power Products Ltd. will at its discretion repair or replace free of charge any defects in material or workmanship. The following conditions apply:

- Warranty is void if unauthorised repairs attempted.
- The customer is responsible for returning the product to Sterling Power Products Ltd. Inbound shipping costs must be prepaid.
- This warranty does not cover blemishes due to normal wear and tear or damages caused by accidents, abuse, alterations or misuse.
- Repairs not covered by this warranty can be done at the customer's request and expense.

Purchase or other acceptance of the product shall be on the condition and agreement that Sterling Power Products Ltd. shall not be liable for incidental or consequential damages of any kind. (Some countries do not allow the exclusion or limitation of incidental or consequential damages, so the above limitations may not apply to you.) This warranty is made in lieu of all other obligations or liabilities on the part of Sterling Power Products Ltd. Sterling Power Products Ltd. neither assumes nor authorises any person for any obligation or liability in connection with the sale of this product.

To make a claim under warranty, contact Sterling Power Products Ltd., 86A Blackpole Trading Estate West, Worcester, WR3 8TJ, United Kingdom. The customer has to provide a proof of purchase. Sterling Power Products Ltd. will make its best effort to repair or replace the product, if found defective, within 30 days after return of the product to the company. Sterling Power Products Ltd. will ship the repaired or replaced product back to the customer.

This warranty is in lieu of all others expressed or implied.

STERLING POWER PRODUCTS LTD

Website: www.sterling-power.com

E-mail: help@sterling-power.com

Copyright 2006 by Sterling Power Products Ltd. Copying and reprinting not allowed.
Changes and errors excepted.

› Inhaltsverzeichnis

Sicherheitshinweise...	S. 17-18
ProSport Überblick...	S. 18-19
Installationshinweise...	S. 20-22
Batterien aufladen...	S. 23-24
Wartung und Pflege...	S. 25
Fehlerbeseitigung...	S. 26-27
Technische Daten und Zubehör...	S. 27
Kundendienst und Garantie...	S. 28

› Einführung

Das Mitarbeiter-Team von Sterling Power Products bedankt sich für Ihr Vertrauen und gratuliert Ihnen zum Kauf des Sterling ProSport Batterie-Lade- und Netzgerätes.

Seit vielen Jahren ist Sterling Power Products ein führender Hersteller professioneller Lade- und Energietechnik. Die hier beschriebene Baureihe wasserdichter Ladegeräte der ProSport-Serie wurde speziell für den harten Einsatz unter nassen Bedingungen entwickelt und bietet mit ihren überlegenen Produktmerkmalen eine Vielzahl von Einsatzmöglichkeiten.

Bitte lesen Sie diese Anleitung, insbesondere die Sicherheitshinweise, aufmerksam durch, bevor Sie mit der Installation Ihres Sterling ProSport Ladegerätes beginnen.

► Allgemeine Sicherheitshinweise

Bevor Sie Ihr Ladegerät mit den Batterien und/oder einer externen Wechselspannung verbinden, lesen Sie bitte diese Anleitung und die Sicherheitshinweise vollständig und aufmerksam durch.

ACHTUNG: Mit diesem Ladegerät dürfen nur wiederaufladbare Batterien mit Blei-Säure-Technik aufgeladen werden (Blei-Säure offen, Blei-Säure versiegelt, Gel und AGM). Beim Laden anderer Batterietypen besteht Explosionsgefahr! ProSport Ladegeräte sind werkseitig voreingestellt für Blei-Säure-Batterien.

Bei Benutzung von Zubehörteilen, welche nicht von Sterling Power Products verkauft oder empfohlen werden, besteht die Gefahr von Bränden, Stromschlägen oder Verletzungen.

Benutzen Sie das Ladegerät auf keinen Fall, wenn es großen äußerlichen Kräften durch Schläge, Stöße oder Hinfallen ausgesetzt oder auf andere Weise beschädigt wurde.

Öffnen Sie niemals das Gehäuse des Gerätes. Im Falle einer notwendigen Reparatur wenden Sie sich bitte direkt an Sterling Power Products. Unsachgemäßes Auseinander- und Zusammenbauen des Gerätes kann die Entstehung von Bränden oder Stromschlägen zur Folge haben.

WARNUNG: ENTSTEHUNG EXPLOSIVER GASE

Der Aufenthalt in der Nähe von Blei-Säure-Batterien kann gefährlich sein. Auch während des normalen Betriebes können explosive Gase entstehen.

Um das Risiko einer Batterieexplosion zu minimieren, folgen Sie diesen Sicherheitshinweisen sowie den für Ihre Batterien und für jedes Gerät, welches in der Nähe Ihrer Batterien betrieben werden soll, geltenden Sicherheitsrichtlinien und den darauf angebrachten Warnhinweisen.

► Persönliche Sicherheitsvorkehrungen

Wenn Sie in der Nähe einer Blei-Säure-Batterie arbeiten, sollte stets eine zweite Person in Rufweite sein, die im Bedarfsfall Hilfe leisten kann.

Für den Fall dass Batteriesäure in Kontakt mit Haut, Augen oder Kleidung kommt, sollte stets reichlich Wasser und Seife in der Nähe bereitstehen.

Tragen Sie stets Augenschutz und schützende Kleidung. Vermeiden Sie unbedingt, Ihre Augen zu berühren, während Sie mit einer Batterie hantieren.

Falls Haut oder Kleidung mit Batteriesäure in Kontakt kommen, waschen Sie diese sofort mit Wasser und Seife aus. Falls Batteriesäure in die Augen gerät, spülen Sie diese mindestens 10 Minuten unter fließendem, kalten Wasser aus und suchen unmittelbar danach einen Arzt auf.

In der Nähe von Batterien oder Verbrennungsmotoren darf weder geraucht werden, noch mit offenem Feuer hantiert werden. Jede Funkenbildung ist zu vermeiden.

Achten Sie insbesondere darauf, dass keine metallischen Teile oder Werkzeuge mit den Batterien in Kontakt kommen. Dies kann einen Kurzschluss verursachen, welcher unter ungünstigen Umständen eine Explosion auslösen könnte.

Bevor Sie mit der Arbeit an oder in der Nähe einer Batterie beginnen, entfernen Sie alle persönlichen

► Persönliche Sicherheitsvorkehrungen (Fortsetzung)

Gegenstände aus Metall, wie z.B. Ringe, Armreifen, Halsketten, Uhren und Schmuck. Eine Batterie kann bei einem Kurzschluss einen hohen Strom erzeugen, welcher einen Ring oder einen anderen Metallgegenstand stark erhitzen und schwere Verbrennungen verursachen kann.

► Sicherheitsvorkehrungen vor dem Laden von Batterien

Wenn Sie eine Batterie zum Laden aus dem Bordnetz entfernen, lösen Sie immer als erstes die Minus-Klemme von der Batterie! Zuvor stellen Sie sicher, dass alle Geräte an Bord ausgeschaltet sind, damit kein Funke entstehen kann.

Versichern Sie sich, dass die Umgebung des Ladegerätes und der Batterien während des Ladevorgangs gut belüftet sind. Falls Gase entstehen, können diese z.B. mit einem Stück Pappe oder einem anderen nichtmetallischen Fächer vertrieben werden.

Batteriepole dürfen nur mit vollständigem Augenschutz gereinigt werden, damit keine Korrosionsprodukte in die Augen gelangen können.

Bei Verwendung von offenen Blei-Säure-Batterien füllen Sie destilliertes Wasser nach, bis Sie in jeder Zelle den vom Batteriehersteller vorgeschriebenen Flüssigkeitsstand erreichen. Dadurch werden überschüssige Gase aus den Zellen entfernt. Nicht zu viel einfüllen!

Bei Verwendung von versiegelten Batterien folgen Sie der Lade-Anleitung des Batterieherstellers.

Halten Sie sich an die vom Batteriehersteller empfohlene Ladespannung sowie an dessen spezielle Sicherheitsregeln wie z.B. das Öffnen der Verschlusskappen bei offenen Blei-Säure-Batterien.

Laden Sie niemals eine gefrorene Batterie!

Bei Benutzung von Verlängerungskabeln müssen diese dem Verwendungszweck entsprechen und geerdet sein. Prüfen Sie das Verlängerungskabel vor Verwendung auf Beschädigungen, verbotene Kontakte und Risse. Beschädigte Kabel umgehend ersetzen!

Verbinden Sie ein Verlängerungskabel immer zuerst mit dem Ladegerät. Anschließend verbinden Sie das Verlängerungskabel mit einem abgesicherten Wechselstromanschluss mit Fehlerstrom-Schutzschalter. Nach Abschluss des Ladevorgangs lösen Sie zuerst das Verlängerungskabel aus dem Wechselstromanschluss und danach vom Ladegerät.

► Allgemeiner Überblick

Sterling ProSport-Ladegeräte arbeiten vollautomatisch mit einer elektronisch gesteuerten Mehrstufen-Ladung. ProSport-Ladegeräte sind zur einfachen Installation vorverkabelt und sind zu 100% wasserdicht für den Einsatz unter Süß- und Salzwasserbedingungen.

ProSport-Ladegeräte besitzen ein extrudiertes Aluminiumgehäuse mit Endkappen aus Kunststoff. Im Vergleich zu Geräten mit Vollkunststoffgehäuse bieten sie damit eine deutlich bessere Schlagfestigkeit und Wärmeableitung. ProSport-Ladegeräte arbeiten mit einer Mehrstufen-Ladetechnik und einer abschließenden Erhaltungsladestufe. Damit können ProSport-Ladegeräte ständig eingeschaltet bleiben, ohne dass die Batterien überladen werden.

Die intelligente ProSport DISTRIBUTED-ON-DEMAND™-Ladetechnik erfasst und verteilt vollautomatisch 100% der verfügbaren Ladeleistung (je nach Modell 8A, 12A oder 20A) auf die angeschlossenen Batteriebänke. Jeder Ladegerät-Ausgang ist vollständig isoliert.

► Allgemeiner Überblick (Fortsetzung)

Leicht ablesbare LED-Anzeigen informieren über die anliegende Wechselspannung und die Ladestufe. Die LED-Anzeigen können im eingebauten Zustand sowohl seitlich als auch frontal abgelesen werden.

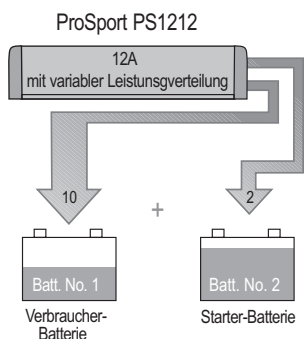
ProSport-Ladegeräte sind in verschiedenen Ausführungen lieferbar und können zum Aufladen von 12V-, 24V- und 36V-Batteriebänken (modellabhängig) eingesetzt werden. Dazu müssen die Ladekabel - abhängig von der gewünschten Ladespannung - entsprechend den Anschlussplänen mit den Batterien verbunden werden.

Wenn Ihr ProSport Ladegerät korrekt installiert ist, lädt es Ihre Batterien vollautomatisch auf, erhält deren Ladung und verlängert ihre Lebensdauer. ProSport Ladegeräte können ständig eingeschaltet und mit den Batterien verbunden bleiben, ohne dass die Gefahr eines Überladens besteht.

► DISTRIBUTED-ON-DEMAND™ Ladetechnik

Mit seiner intelligenten DISTRIBUTED-ON-DEMAND™-Ladetechnik verteilt Ihr ProSport-Ladegerät 100% der zur Verfügung stehenden Ladeleistung auf die angeschlossenen Batteriebänke. Im Vergleich zu herkömmlichen Ladegeräten wird dadurch die Ladeleistung viel besser genutzt, und die Batterien werden schneller geladen.

Variable Leistungsverteilung mit DISTRIBUTED-ON-DEMAND™

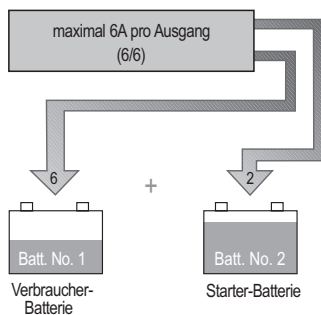


Die intelligente ProSport-Ladetechnik stellt sicher, dass stets 100% der verfügbaren Ladeleistung genutzt werden können. ProSport-Ladegeräte verteilen die Gesamt-Ladeleistung vollautomatisch, so dass jede angeschlossene Batterie bedarfsgerecht geladen wird.

Angenommen Ihre Starter-Batterie benötigt einen Ladestrom von 2A. Dann würde Ihr ProSport PS1212 Ladegerät automatisch mit den verbleibenden 10A die Verbraucher-batterien laden. Ein konventionelles 12A-Ladegerät könnte für die Verbraucherbatterie in diesem Fall nur einen Ladestrom von 6A bereitstellen.

Typische Leistungsverteilung konventioneller Ladegeräte

herkömmliches 6/6 12A-Ladegerät



Herkömmliche Ladegeräte haben häufig eine separate Leistungsbeschränkung pro Ausgang. So können etwa in dem nebenstehenden Beispiel die von der Starter-Batterie nicht benötigten 4A nicht zum Laden der Verbraucher-Batterie genutzt werden. Die Folge ist, dass die Ladung der Verbraucher-Batterie wesentlich langsamer und weniger effektiv erfolgt.

Anmerkung: Die Darstellung zeigt den typischen Batteriezustand am Ende eines Tages. Die Verbraucher-Batterien sind zu 50% entladen und nicht weiter nutzbar. Dagegen ist die Starter-Batterie noch zu 90% geladen.

► Installation

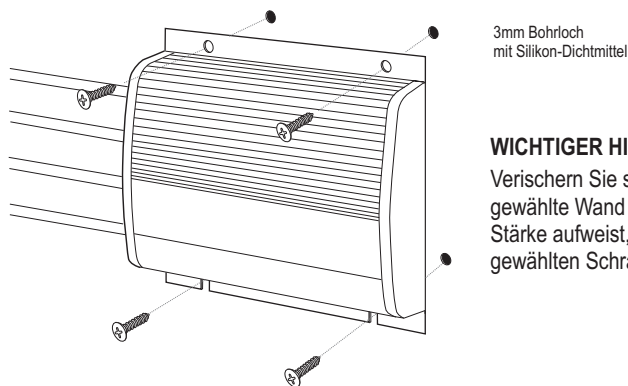
Alle ProSport Ladegeräte sind für den Dauerhaften Einbau an Bord vorbereitet und können mit Hilfe der Befestigungspunkte vertikal oder horizontal montiert werden. Der Einbauort muss so gewählt werden, dass dieser während des Betriebs gut belüftet werden kann.

Vermeiden Sie einen Mix aus unterschiedlichen Batterietypen. Alle Batterien sollten etwa gleich alt und in gutem Zustand sein.

Verbinden Sie Ihr ProSport Ladegerät erst dann mit der Eingangsspannung oder den Batterien, wenn Sie die folgenden Installationsschritte ausgeführt haben.

11 Installationsschritte:

1. Wählen Sie einen Einbauort, der eine freie Luftzirkulation mit mindestens 20cm Freiraum um das Ladegerät herum bietet. Öffnen Sie die Batteriekästen, und belüften Sie Batterie- und Maschinenraum mindestens 15 Minuten lang, bevor Sie mit der Installation des Ladegerätes beginnen.
2. Prüfen Sie, ob der gewählte Einbauort einen Freiraum von mindestens 20cm seitlich sowie oberhalb des Ladegerätes bietet. Installieren Sie das Ladegerät nicht auf textilen, lackierten oder Kunststoff-Oberflächen. Der Einbauort sollte gut zugänglich sein und ein problemloses Ablesen der Statusanzeigen ermöglichen. Prüfen Sie außerdem, ob die Länge der Ladekabel ausreicht, um das Gerät mit den Batterien verbinden zu können.
3. Benutzen Sie das ProSport Ladegerät als Schablone, um die Position der vorgesehenen Befestigungspunkte zu markieren.
4. Bohren Sie mit einem 3mm Bohrer vier Löcher in die markierten Befestigungspunkte. Um die Bohrlöcher und Schraubbefestigungen wasserfest zu machen, geben Sie ein wenig Dichtmittel aus Silikon in die Bohrlöcher.
5. Platzieren Sie das ProSport Ladegerät über den Bohrlöchern und befestigen Sie es mit Hilfe von 4 marinetauglichen bzw. rostfreien Stahlschrauben (nicht im Lieferumfang enthalten).



WICHTIGER HINWEIS:

Ver sichern Sie sich, dass die für den Einbau gewählte Wand eine ausreichende Festigkeit und Stärke aufweist, um das Ladegerät sicher mit den gewählten Schrauben zu befestigen.

6. Bereiten Sie die Batterien für den Anschluss vor, indem Sie die Batteriepole mit einer Drahtbürste reinigen, bis eine glänzende Oberfläche erkennbar ist.

► Installation (Fortsetzung)

WICHTIGER HINWEIS:

Beim Verbinden der positiven (roten) bzw. negativen (schwarzen oder gelben) Ladekabel mit den Batteriepolen kann kurzzeitig ein Funke auftreten. Dieser entsteht durch das Aufladen der im Gerät befindlichen Hochfrequenz-Kondensatoren.

Vergewissern Sie sich, dass die negativen (schwarzen oder gelben) Ladekabel ausschließlich mit den Minuspolen und die positiven (roten) Ladekabel ausschließlich mit den Pluspolen der Batterien verbunden werden. (Siehe Illustration.)

7. Verlegen Sie alle Kabel so, dass diese nicht durch scharfe Kanten beschädigt werden können, und verwenden Sie Kabelbinder zur Befestigung. Überschüssige Kabellängen dürfen nicht gekürzt werden, sondern sollten aufgewickelt werden. Die in den Kabeln integrierten Sicherungen schützen das Ladegerät und die Ladekabel im Falle eines Kurzschlusses oder bei Verpolung.

8. Verbinden Sie die Ladekabel entsprechend der auf Seite 9 dargestellten Skizze. Vergewissern Sie sich, dass die negativen (schwarzen oder gelben) Ladekabel mit den Minuspolen und die positiven (roten) Ladekabel mit den Pluspolen der Batterien verbunden sind.

9. Prüfen Sie alle Gleichstrom-Anschlüsse auf korrekten Sitz und Festigkeit.

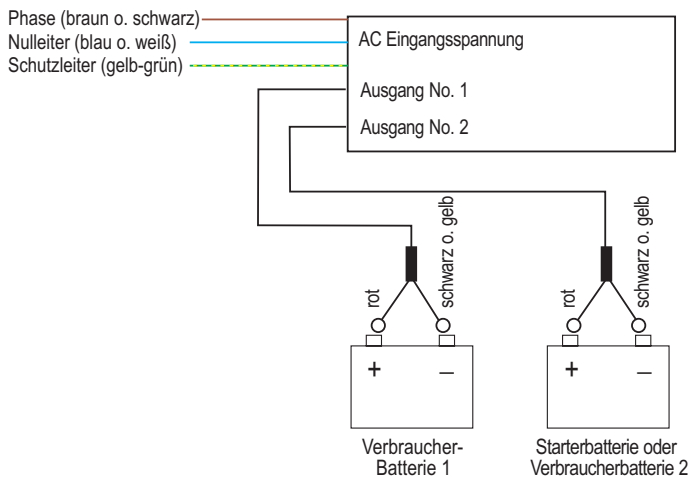
10. Verlegen Sie das Kabel für die externe Wechselspannung in einem Abstand von mindestens 50cm zum Ladegerät, zu den Batterien und den Kraftstoffleitungen.

11. Verwenden Sie eingangsseitig ausschließlich Verlängerungskabel geeigneter Stärke und mit ausreichender Isolierung. Verbinden Sie zuerst das Verlängerungskabel mit dem Ladegerät und danach mit dem Wechselspannungsanschluss; dieser muss durch einen Fehlerstrom-Schutzschalter gesichert sein. Zum Abklemmen des Verlängerungskabels trennen Sie dieses zuerst von der externen Wechselspannung und anschließend vom Ladegerät.

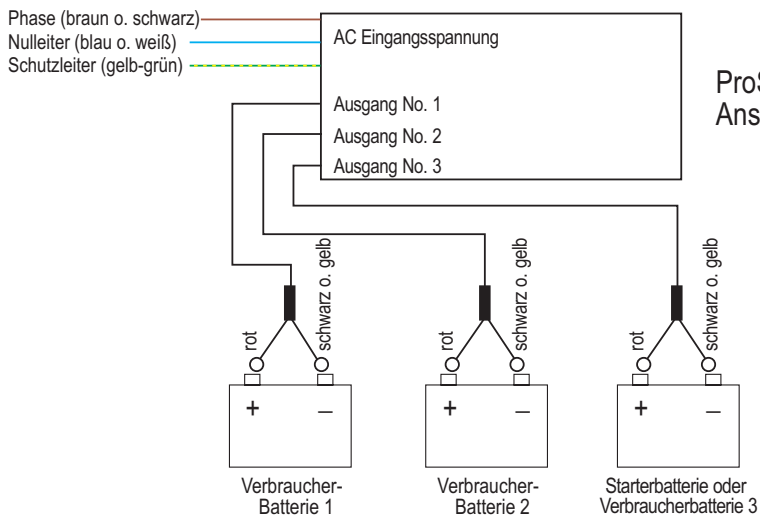
Ihr ProSport Ladegerät ist nun korrekt angeschlossen und lädt die Batterien. Beobachten Sie die LED-Anzeigen: Bei entladenen Batterien sollten jetzt sowohl die grüne LED für die Eingangsspannung als auch die rote Ladekontroll-LED brennen. Dies zeigt an, dass die Batterien geladen werden.

► Anschlusspläne

Wenn die Zahl der zu ladenden Batteriebänke kleiner ist als die Zahl der Ladekabel-Paare, müssen dennoch alle Ladekabel verwendet werden. Schalten Sie in diesem Fall das überzählige Kabel parallel mit einem der anderen Kabel. Bei einer aus zwei 12V-Batterien in Reihenschaltung bestehenden 24V-Batteriebank verbinden Sie jedes Ladekabelpaar mit einer der 12V-Batterien.



ProSport 8, 12 und 20
Anschlussplan



ProSport20plus
Anschlussplan

► Einstellung des Batterietyps

WICHTIGER HINWEIS zur BATTERIETYP-EINSTELLUNG

ProSport Ladegeräte sind werkseitig voreingestellt für Blei-Säure-Batterien. Bei Verwendung von Gel- oder AGM-Batterien muss die Einstellung geändert werden. Dies erfolgt durch das Entfernen einer Drahtbrücke, die sich an einer Seite des Ladegerätes befindet. Danach sollten die verbleibenden Enden mit einem wasserfesten Silikon-Dichtmittel versiegelt werden. Bei Zweifeln hinsichtlich der korrekten Batterietyp-Einstellung wenden Sie sich bitte an den Batteriehersteller oder direkt an Sterling Power Products. Bitte beachten Sie, dass die Umstellung des Batterietyps nur einmal vorgenommen werden kann und nicht reversibel ist.



► Aufladen der Batterien

ProSport Ladegeräte sorgen für eine optimale Ladung Ihrer Batterien und verlängern deren Lebensdauer. Bitte beachten Sie die folgenden Punkte bei der Nutzung Ihres Ladegerätes:

1. Öffnen Sie die Batteriekästen und lüften Sie den Batterieraum mindestens 15 Minuten lang bevor Sie das Ladegerät einschalten. Während des Ladevorgangs müssen die Batteriekästen offen und der Batterieraum gut belüftet sein.
2. Stellen Sie sicher, dass alle Batterieanschlüsse sauber und fest verbunden sind. Folgen Sie den Empfehlungen des Batterieherstellers, und öffnen Sie ggf. die Batteriedeckel.
3. Bei Verwendung eines Verlängerungskabels muss dieses ausreichend dimensioniert und isoliert sein. Verbinden Sie das Verlängerungskabel zuerst mit dem Ladegerät und erst danach mit einem Wechselstromanschluss. Dieser muss mit einem FI-Schutzschalter versehen sein.
4. Prüfen Sie, ob die LED-Anzeigen nach dem Einschalten des Ladegerätes deutlich grün bzw. rot leuchten. Dies zeigt an, dass das Gerät arbeitet und die Batterien aufgeladen werden.
5. Bis zum Erlöschen der roten LED sollte der Ladevorgang nicht unterbrochen werden. Sobald nur noch die grüne LED brennt, sind Haupt- und Ausgleichladung beendet und die Batterien voll geladen. Das Gerät schaltet dann automatisch auf die niedrigere Erhaltungsladespannung um. Ihr ProSport Ladegerät kann daher ständig eingeschaltet bleiben, ohne die Batterien zu überladen.
6. Bei Verwendung eines Verlängerungskabels trennen Sie dieses ggf. zuerst vom Wechselstrom-Anschluss und anschließend vom Ladegerät.

LED Statusanzeigen

ProSport Ladegeräte verfügen über zwei LED-Statusanzeigen.

1. Eingangsspannung (grüne LED):

Die grüne LED leuchtet, wenn am Eingang eine geeignete Wechselspannung anliegt.

2. Ladekontrolle (rote LED):

Die rote LED leuchtet während der ersten und zweiten Phase des Mehrstufen-Ladezyklus (Hauptladung). Sie erlischt, sobald das Gerät auf Erhaltungsladung umgeschaltet hat.

LED Information

grün = Gerät eingeschaltet ■
rot = Hochleistungsladephase ■
rot aus = Batterie voll geladen,
Erhaltungsladung

Mehrstufen-Ladung / Überblick

Nach dem Einschalten des ProSport Ladegerätes brennt zuerst die grüne LED für die anliegende Eingangsspannung und kurz danach auch die rote LED für die Ladekontrolle.

Die Mehrstufen-Ladung durchläuft folgende Phasen:

1. Hauptladung (I-Phase):

In dieser Phase lädt das Gerät (temperaturabhängig) mit dem maximalen Ladestrom, bis eine Batteriespannung von 14,6V erreicht ist (herstellereitige Voreinstellung für Blei-Säure-Batterien). Die grüne und die rote LED brennen.

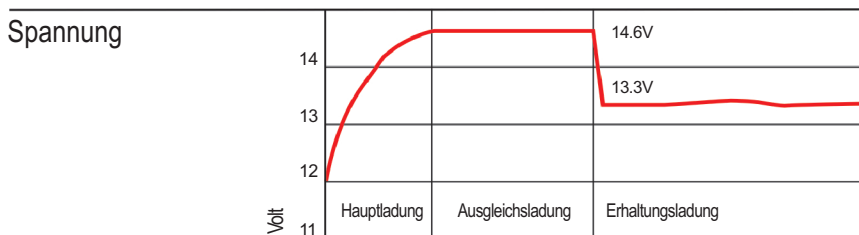
2. Ausgleichladung (Uo-Phase):

In dieser Phase wird die Ladespannung auf konstant 14,6V (herstellereitige Voreinstellung für Blei-Säure-Batterien) gehalten. Dadurch wird die volle Batteriekapazität ausgenutzt und einer Sulfatierung der Batterien vorgebeugt. Die grüne und die rote LED brennen.

3. Erhaltungsladung (U-Phase):

Nach Beendigung der Ausgleichladung schaltet das Gerät um auf Erhaltungsladung und gleicht damit die durch die Selbstentladung der Batterie entstehenden Verluste aus. Die Erhaltungsladespannung beträgt konstant 13,3V (herstellereitige Voreinstellung für Blei-Säure-Batterien). Die Batterien bleiben dadurch stets voll geladen, und es besteht keine Gefahr der Überladung.

Hinweis: Während der Erhaltungsladung brennt nur die grüne LED.



►Regelmäßige Wartung

Objekt: Batterieanschlüsse	
Vorgang:	Reinigen Sie alle Batterieanschlüsse (falls erforderlich mit einer Drahtbürste), und ziehen Sie die Klemmen fest. Beachten Sie dabei die Anleitung Ihres Batterieherstellers.
Häufigkeit:	montatlich

Objekt: Batterie-Elektrolyt	
Vorgang:	Prüfen Sie den Flüssigkeitsstand der Batterien. Falls erforderlich (und möglich), füllen Sie destilliertes Wasser nach. Beachten Sie dabei die Anleitung Ihres Batterieherstellers.
Häufigkeit:	monatlich

Objekt: Ladekabel	
Vorgang:	Prüfen Sie die Ladekabel visuell auf Beschädigungen und Abnutzung. Falls die Kabel ersetzt werden müssen, setzen Sie sich bitte direkt mit Sterling Power Products in Verbindung.
Häufigkeit:	monatlich

Objekt: Netzkabel und Befestigungselemente	
Vorgang:	<p>Prüfen Sie das Netzkabel visuell auf Beschädigungen und Abnutzung. Stellen Sie sicher, dass alle Kontakte, insbesondere die des Schutzleiters (gelb-grün), korrekt und sauber verbunden sind.</p> <p>Prüfen Sie alle Befestigungspunkte auf sicheren Halt. Lose Befestigungspunkte müssen nachgearbeitet werden.</p>
Häufigkeit:	monatlich

► Beseitigung von Störungen

Rote oder grüne LED-Anzeige brennt nicht.

Prüfen Sie, ob die anliegende Wechselspannungsquelle korrekt angeschlossen ist und Spannung liefert. Prüfen Sie ebenfalls, ob der Fehlerstrom-Schutzschalter ausgelöst hat. Wenn Sie ein Verlängerungskabel verwenden, überprüfen Sie mit einem geeigneten Voltmeter, ob dieses eventuell unterbrochen ist.

Stellen Sie sicher, dass die Ladekabel der richtigen Polung entsprechend mit den Batterien verbunden sind und dass alle Verbindungen fest und sauber sind.

Überprüfen Sie mit einem Voltmeter bei abgeschaltetem Ladegerät und Motor die Spannung der Batterien. Falls keine Ladung feststellbar ist, prüfen Sie ggf. mit einem Hydrometer, ob die Batterie eine oder mehrere defekte Zellen aufweist. (Bei einer defekten Zelle sollte immer die komplette Batterie ersetzt und immer der gleiche Batterietyp verwendet werden.)

Falls die diese Prüfungen keine Fehler ergeben, setzen Sie sich bitte mit dem Sterling Kundendienst in Verbindung.

Batterie wird nicht aufgeladen. Rote und grüne LEDs brennen.

Überprüfen Sie, ob die Ladekabel der richtigen Polung entsprechend mit den Batterien verbunden sind und dass alle Verbindungen fest und sauber sind. *Bei einer Verpolung brennt die Sicherung auf der Ausgangsseite durch, und das Ladegerät gibt keine Leistung mehr ab.*

Messen Sie bei eingeschaltetem Ladegerät die Spannung an den Batterien. Falls Sie an einer der Batterien weniger als 13V messen, gehen Sie bitte wie folgt vor:

A. Trennen Sie das Ladegerät von der Eingangswchselspannung.

B. Entfernen Sie die Ladekabel von den Batterien.

C. Schließen Sie die Eingangswchselspannung wieder an, und messen Sie die Spannung an den Ladekabeln. Wenn diese etwa 13,3V beträgt, ist das Ladegerät in Ordnung. Jede Batterie sollte dann bei ausgeschaltetem Ladegerät und Motor mit einem Hydrometer getestet werden, um festzustellen, ob eine oder mehrere Batterien defekte Zellen aufweisen. Bei einer defekten Zelle sollte immer die komplette Batterie ersetzt werden und immer der gleiche Batterietyp verwendet werden.

D. Wenn Sie keine Ausgangsspannung messen können, überprüfen Sie die Sicherung auf der Ausgangsseite, und ersetzen Sie diese wenn erforderlich.

Wenn die Ausgangsspannung an allen Ladekabeln weniger als 13V beträgt, setzen Sie sich bitte mit dem Sterling Kundendienst in Verbindung.

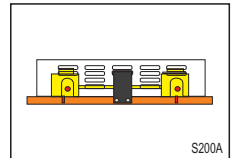
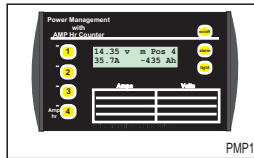
► Ein wichtiger Hinweis zu Hochfrequenzstörungen (RFI)

Ihr Sterling ProSport Ladegerät wurde in Übereinstimmung mit den Richtlinien zur Vermeidung von Hochfrequenzstörungen entwickelt und getestet (FCC Class A part 15). Es bietet damit angemessenen Schutz gegen Hochfrequenzstörungen bei kommerziellen Anwendungen. Falls Sie Störungen Ihres Funk-, Radio- oder Fernsehempfangs feststellen, gehen Sie bitte folgendermaßen vor: Um festzustellen, ob die Störungen mit dem Betrieb des Ladegerätes zusammenhängen, unterbrechen Sie die Spannungsversorgung zum Ladegerät. Wenn die Störungen danach verschwinden, ist Ihr Funkgerät, Radio oder Fernsehgerät nicht ausreichend gegen Hochfrequenzstörungen geschützt. Sie können dann die folgenden Abhilfen ausprobieren:

► Ein wichtiger Hinweis zu Hochfrequenzstörungen (RFI) (Fortsetzung)

- 1) Wählen Sie eine separate Spannungsversorgung für das Ladegerät.
- 2) Stellen Sie sicher, dass alle elektrischen Geräte an Bord korrekt geerdet sind.
- 3) Verändern Sie die Position Ihrer Antenne
- 4) Sorgen Sie dafür, dass Wechselspannungskabel, Gleichstromkabel und Antennenkabel möglichst weit voneinander entfernt verlegt sind. Verwenden Sie abgeschirmte Kabel oder spezielle, separate Abschirmelemente.
- 5) Versetzen Sie den Einbaort des Ladegerätes, so dass dieser so weit wie möglich von Ihrer Funkausrüstung, Ihrem Radio oder Ihrem Fernsehgerät entfernt liegt.

► Optionales Zubehör



Artikel

Marine-Voltmeter für 12V-Systeme
 Marine-Voltmeter für 24V-Systeme
 Marine-Zangenmultimeter
 Batterie-Management-Controller mit Amperestunden-Zähler
 200A Zusatz-Shunt für Batterie-Management-Controller

Artikel-Nr.

TM12V
 TM24V
 CLAMP1
 PMP1
 S200A

Zum Bestellen kontaktieren Sie bitte Ihren örtlichen Sterling-Händler. Ein Händlerverzeichnis finden Sie im Internet unter www.german.sterling.power.com.

► Sterling Batterie Management Controller

Ihr ProSport Ladegerät lässt sich ideal mit dem Sterling Batterie Management Controller ergänzen. Der Sterling Batterie Management Controller misst Spannung und Strom an bis zu vier verschiedenen Messpunkten und informiert Sie z.B. über Ladestrom und Ladespannung. Außerdem ist ein Amperestundenzähler im Funktionsumfang enthalten. Ihr Sterling-Händler informiert Sie gern.

► Technische Daten

Modell	Nennspannung	Ladestrom	Batteriebanken	Maße B x H x T (mm)	Gewicht	Eingangsspannung
ProSport8	12/24	8A max.	max. 2	184 x 64 x178	3,6kg	180V - 264V AC
ProSport12	12/24	12A max.	max. 2	184 x 64 x216	4,1kg	180V - 264V AC
ProSport20	12/24	20A max.	max. 2	184 x 64 x273	4,5kg	180V - 264V AC
ProSport20plus	12/24	20A max.	max. 3	184 x 64 x273	5,0kg	180V - 264V AC
ProSport20-110	12/24	20A max.	max. 2	184 x 64 x273	4,5kg	90V - 135V AC
ProSport20plus-110	12/24	20A max.	max. 3	184 x 64 x273	5,0kg	90V - 135V AC

► Kundendienst und Garantie

Vordringliches Ziel unseres Unternehmens ist die Zufriedenheit unserer Kunden. Falls Sie zu irgendeinem Zeitpunkt Schwierigkeiten mit der Funktion oder der Bedienung Ihres ProSport Ladegerätes haben sollten, erhalten Sie unter der Rufnummer +44 (0)1905 452105 technischen Support.

ProSport Zwei-Jahres-Herstellergarantie

Jedes ProSport Ladegerät ist mit einer zweijährigen Garantie gegen Material- oder Fertigungsfehler ausgestattet. Diese beginnt mit dem Tag des Verkaufs an den ersten Endkunden. In einem berechtigten Garantiefall wird Sterling Power Products Ltd. das Gerät nach eigenem Ermessen reparieren oder ersetzen. Dabei gelten die folgenden Garantiebestimmungen:

- Die Garantie erlischt im Falle nicht autorisierter Reparaturversuche.
- Es obliegt dem Kunden, ein defektes Produkt an Sterling Power Products Ltd. zurückzusenden. Der Versand muss frei erfolgen.
- Schäden, welche auf Verschleiß, Unfälle, unsachgemäße Nutzung oder bauliche Veränderungen zurückgehen, sind von der Garantie ausgeschlossen.
- Reparaturen außerhalb der Garantie werden auf Kundenwunsch gegen Berechnung durchgeführt..

Der Kauf oder sonstige Erwerb dieses Produktes erfolgt unter der Bedingung und Vereinbarung, dass Sterling Power Products Ltd. keine Haftung für Neben- oder Folgeschäden jeglicher Art übernimmt. (Dies gilt nicht in Ländern, die solche Ausschlüsse oder Beschränkungen nicht gestatten.) Gesetzliche Gewährleistungsansprüche werden hierdurch nicht berührt. Sterling Power Products Ltd. übernimmt keine Haftung für Schäden, die im Zusammenhang mit dem Verkauf dieses Produktes stehen.

Zur Geltendmachung von Garantieansprüchen schreiben Sie bitte direkt an Sterling Power Products Ltd, 86A Blackpole Trading Estate West, Worcester, WR3 8TJ, Großbritannien. Dem Schreiben ist eine Kopie des Kaufbeleges beizufügen. Sterling Power Products Ltd. wird ein fehlerhaftes Produkt im Rahmen der Garantiebedingungen in der Regel innerhalb von 30 Tagen nach Eingang reparieren oder ersetzen und an den Käufer zurücksenden.

Diese Produktgarantie ersetzt alle früheren veröffentlichten oder implizierten Garantien und Garantiebedingungen.

STERLING POWER PRODUCTS LTD

Website: www.german.sterling-power.com

E-mail: help@german.sterling-power.com

Copyright 2006 Sterling Power Products Ltd. Nachdruck und Vervielfältigung nicht gestattet.
Änderungen und Irrtum vorbehalten.

Free Manuals Download Website

<http://myh66.com>

<http://usermanuals.us>

<http://www.somanuals.com>

<http://www.4manuals.cc>

<http://www.manual-lib.com>

<http://www.404manual.com>

<http://www.luxmanual.com>

<http://aubethermostatmanual.com>

Golf course search by state

<http://golfingnear.com>

Email search by domain

<http://emailbydomain.com>

Auto manuals search

<http://auto.somanuals.com>

TV manuals search

<http://tv.somanuals.com>