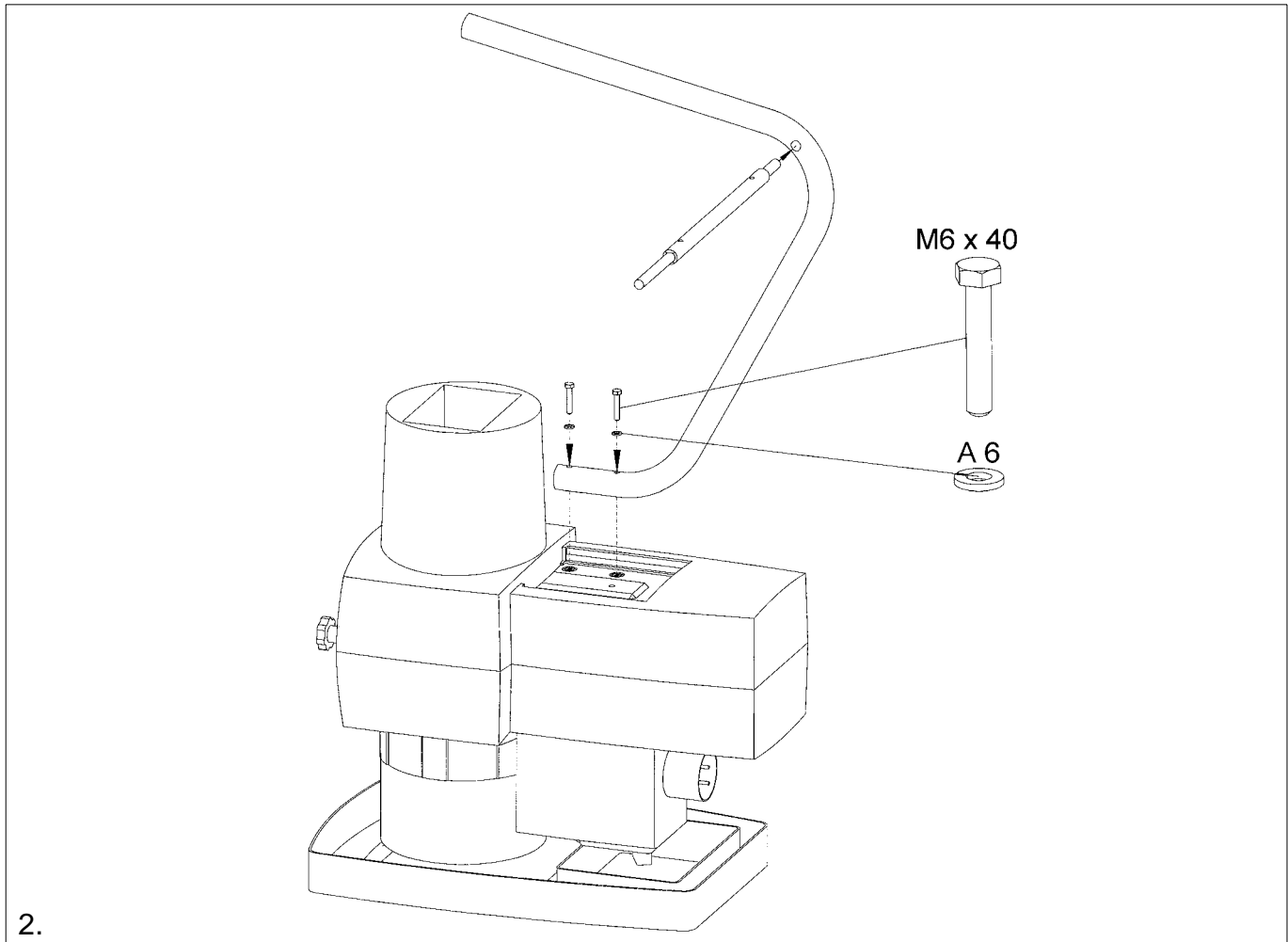
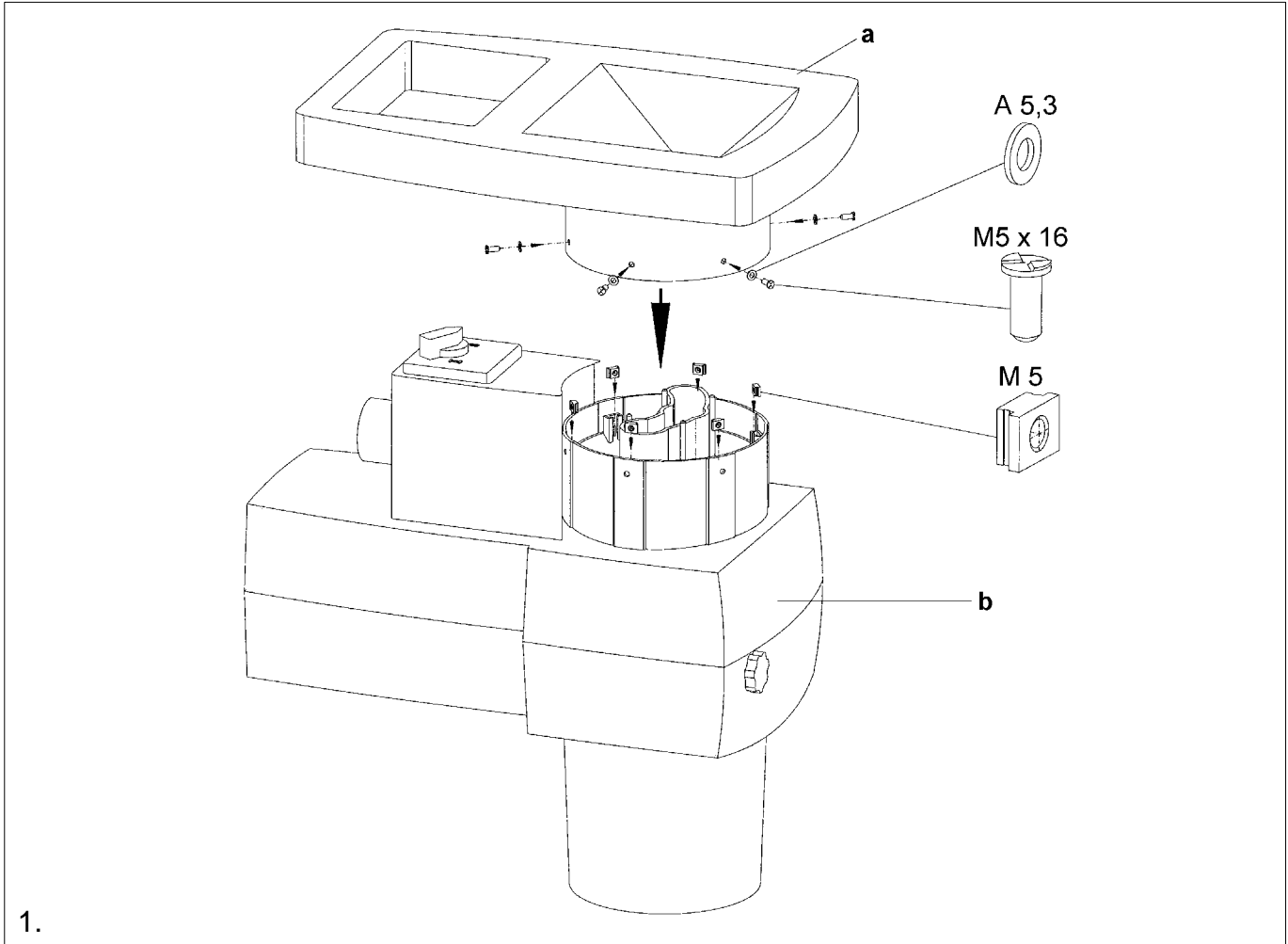


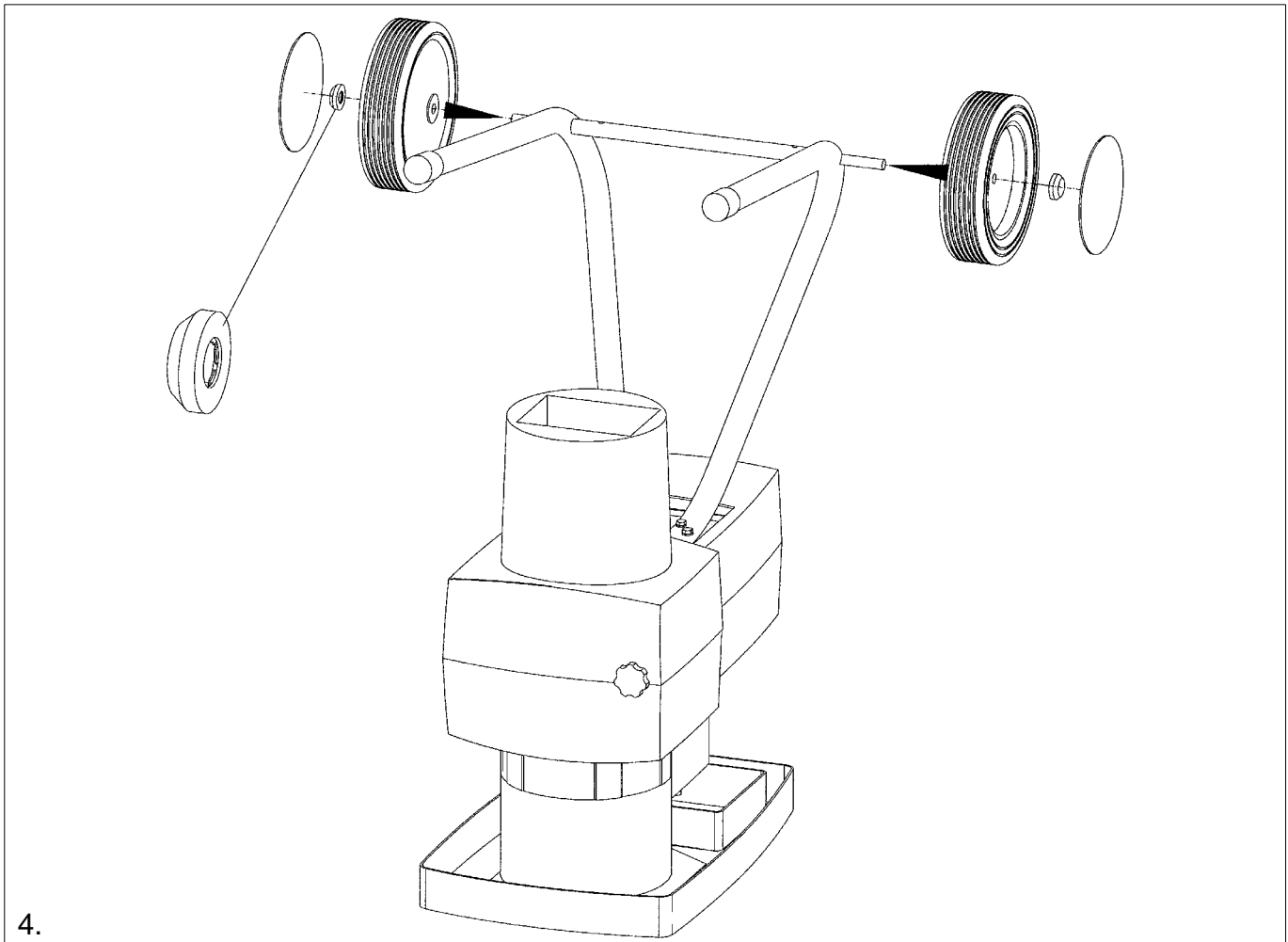
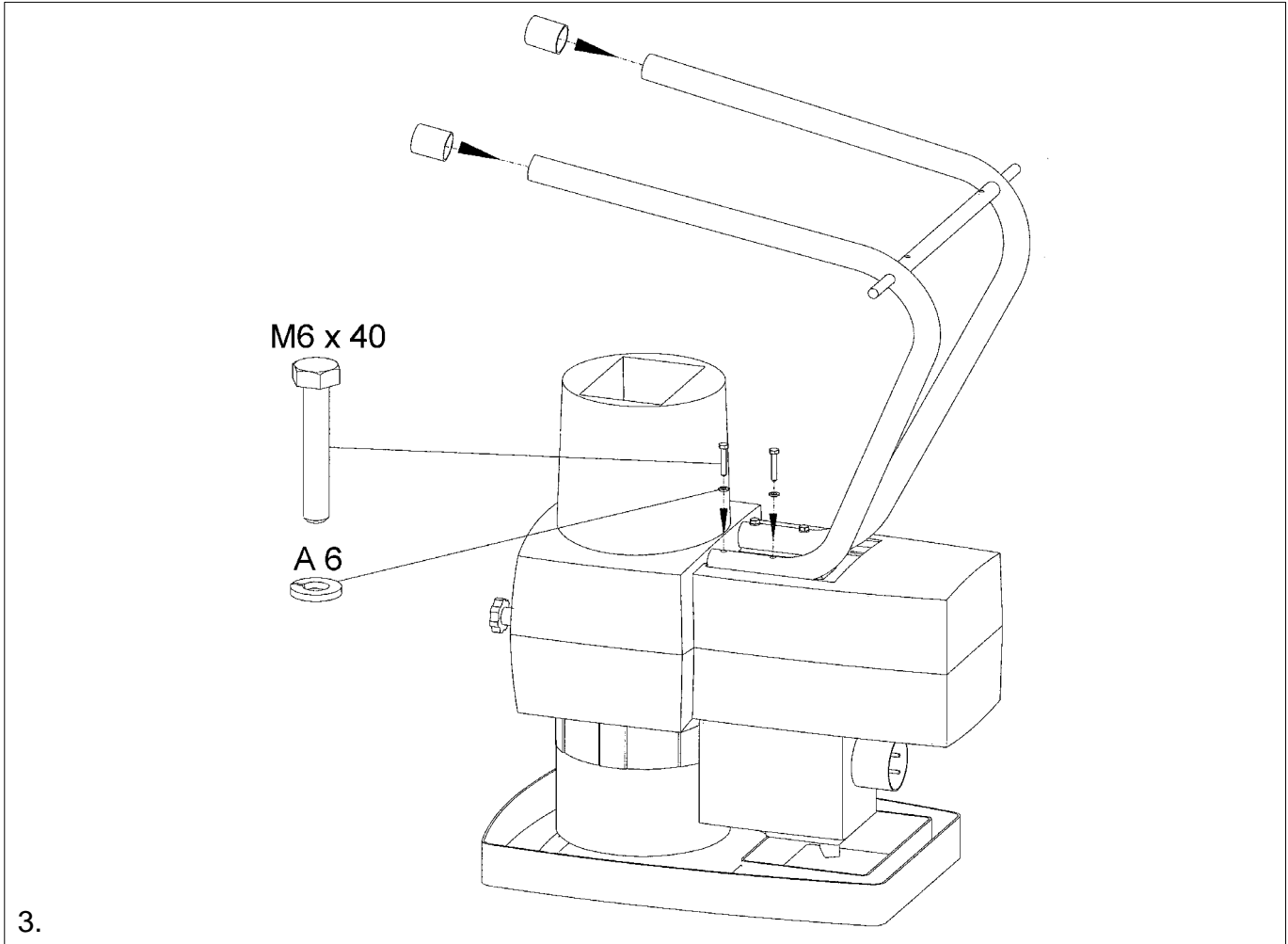
STIGA



8217-3033-01

Silencium





GENERAL

Your garden shredder is a high-quality, efficient machine.

Please read the following instructions carefully to ensure a long life of your garden shredder.



Do not operate machine before having read the operating instructions, understood all the notes and assembly the machine as described here.

PROPER USE

The garden shredders are suitable for private use in gardens and allotments.

Regarded as garden shredders for private gardens and allotments are those units which are not employed in public grounds, parks, sports grounds, and in agriculture and forestry.

SAFETY INSTRUCTIONS



Repairs on electrical parts of the machine and on the safety cut-out must be done by the producer or by a company designated by the producer.

Please read the following safety instructions carefully.

- Within his area of work the operator will be responsible to third parties.
- The machine may not be used by operators under the age of 16.
- Keep children away from machine.
- Wear protective goggles, gloves and noise protection while working with the machine.
- The connecting lead to DIN 57 282 (H 07 RN-F) should be equipped with a rubber plug. The lead section should be a minimum of 3 x 1,5 mm².
- Never use faulty connecting lines.
- Connect the machine using a fault current protection switch.
- Always switch off motor before maintenance and cleaning of shredder. Remove mains plug from socket (also during transport and when leaving machine unattended).
- Do not operate without the funnel.

- Faulty or damaged parts in the device must be replaced immediately.
- Never reach into the filling or ejection opening when the machine is running.
- Do not spray machine with water (this is hazardous due to live components).
- Wear safety gloves during assembly and cleaning work.
- Never modify the machine or parts thereof.
- Only use the machine for the purposes listed under Section "Chopping".
- Do not leave the machine standing in the rain or use when raining. Store the machine in a dry place.

ASSEMBLY

See pages 4 - 5.



Use the enclosed disposable screws (M5 x 16) to fit the funnel (a) to the pre-assembled machine (b). Otherwise no liability will be assumed!

START-UP

Check that the machine is completely and correctly assembled.

To avoid toppling, place the chopper on a firm horizontal surface.

Connect the machine to an appropriate and correctly wired electric socket.

Only use extension leads with sufficient diameters:

- cable up to 25 metres: diameter at least 1,5 mm².
- cable over 25 metres: diameter at least 2,5 mm².

Fuse protection:

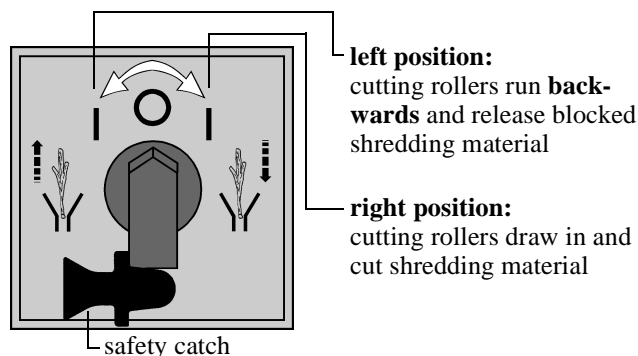
- for model 2000: 16 A inert

Before using the shredder, make sure each time that:

- there are no faulty connections (tears, cuts, etc.)
- all screws are tight.

CHANGING THE DIRECTION OF ROTATION

Always switch the device off, wait until it comes to a standstill and shift the safety catch before changing the direction of rotation.



Switch on:

Turn On-Off switch to "I".

Switch off:

Turn On-Off switch to "0".

CHOPPING

What can I chop?

Yes:

- all types of branches.
- withered garden refuse which has lain a number of days. Only shred in alternation with branches.
- hard wood, though only with sharp cutter.

No:

- glass, metal, plastic, plastic bags, stones, cloth, roots with soil.
- refuse which does not have a solid consistency, e.g. kitchen waste.

SPECIAL TIPS ON CHOPPING

Please do not exceed the maximum branch diameter specified for your appliance (see page 38).

Branches, twigs and wood should be broken down immediately after they have been cut. Material of this kind gets very hard when it is dry, and it therefore makes sense to reduce the maximum branch diameters, so that it is ready for chopping.

Remove any side shoots from branches with a large number of twigs.

The cutter automatically draws the shredding material into the machine through the slow rotation of the cutting rollers.

If the machine is overloaded, a protective motor switch ensures that the machine turns itself off automatically:

- turn the shredder on again after about 5 minutes.
- during those five minutes you cannot turn the machine on. See "Operational faults".

AUTOMATIC SWITCH-OVER IN THE DIRECTION OF ROTATION

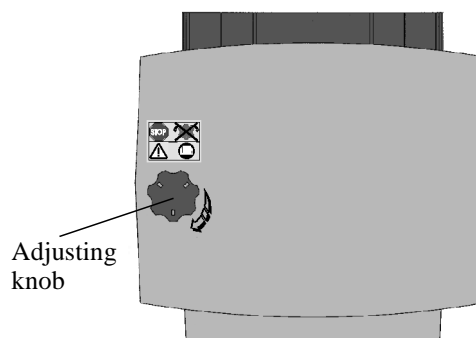
If the unit suddenly clogs, the blades may start to turn in the opposite direction and push the shredded material back out.

- switch off unit.
- wait until the blades come to a standstill.
- switch unit back on and use material which is easier to process.

ADJUSTING THE SHAVING PLATE

The cutting mechanism is adjusted in the works and does not have to be set during initial commissioning.

Switch on device (switch top right position)



Turn adjusting knob in a clockwise direction with the motor running until scraping noises are heard and fine aluminium chips fall out of the delivery chute. Worn points on the shaving plate are optimally compensated.

This improves the cutting of the shredding material.

MAINTENANCE AND CARE

Each time before starting maintenance work:

- switch off the motor and withdraw the mains plug.
- wear protective gloves to prevent injury.

Generally garden shredders require little maintenance. To maintain their efficiency and a long life, observe the following:

- keep vent slits clean and free from obstructions.
- check the locking screws (tighten where necessary).
- clean the device after shredding.
- the shredder should not be cleaned with high pressure cleaners or running water.
- treat the cutting roller after every use with a biodegradable spray oil as protection against corrosion.
- the cutting roller and shaving plate are expendable parts, though with normal use and correct adjustment they have a service life of many years.

SPECIFICATION

Model	2000
Name of model	AH 280
Motor	AC-motor 230 V, 50 Hz, S6 = 40% ED, 2800/40 min ⁻¹
Motor rating	P ₁ = 2000 W
On/Off switch	With overload protection With cutting and reverse function
Weight	26 kg
Acoustic pressure level at work L _{PA} (Measured to RAL-UZ 54, DIN 45635Teil 1/05.84)	79 dB (A)
Acoustic capacity level L _{WA} (Measured to RAL-UZ 54, DIN 45635Teil 1/05.84)	86 dB (A)
Max. branch diameter (only for fresh cut wood)	40 mm
Safety class	I

SERVICE

Authorised service agents carry out repairs and service. They use genuine spare parts.

Do you do basic repairs yourself? Then make sure you use genuine spare parts. They fit immediately and make your task easier.

When ordering spare parts please state the model, part number and serial number. This information is on the rating plate on the machine.



Do not fit any parts other than genuine spare parts. This is a requirement of the Testing Institute. The machine has been tested and approved with these parts.

The manufacturer reserves the right to modify the product without prior notice.

GUARANTEE

This guarantee is valid for one year from the date of purchase.

Any defects due to faulty materials or workmanship will be repaired free of charge at an authorised service station.

Any machine returned by the purchaser for repair must be in a clean condition.

Carriage costs to and from the service station are the responsibility of the purchaser.

This guarantee does not apply to: Routine wear. Careless use. Personal injury or damage to property. Machines that have been repaired at an unauthorised workshop.

OPERATIONAL FAULTS

Problem	Possible cause	Remedy
Motor does not start.	<ul style="list-style-type: none"> - No power supply. - Mains cable defective. - Machine overloaded. 	<ul style="list-style-type: none"> - Check fuses. - Have these checked (electrician). - Overload protection triggered Turn On-Off switch to "0" and let machine cool down.
Motor hums but does not start.	<ul style="list-style-type: none"> - Cutting roller blocked. - Capacitor faulty. 	<ul style="list-style-type: none"> - Turn On-Off switch to left, then switch machine off and remove shredding material. If the blockage cannot be removed immediately switch the On-Off switch between cutting and reverse a number of times until the cutting roller runs free. - Bring machine to manufacturer or authorised workshop for repair.
Shredding material is not drawn into the shredder.	<ul style="list-style-type: none"> - Incorrect switch position. - Shredding material caught in funnel. - Shredding material too soft or wet. - Cutting roller worn. 	<ul style="list-style-type: none"> - Turn On-Off switch to correct position. - Turn On-Off switch to left to release shredding material, remove any dirt. - Push down with a branch and shred. - Adjust shaving plate as described in "Adjusting the shaving plate", replace cutting roller if heavily worn.
Shredding material not cut cleanly.	<ul style="list-style-type: none"> - Incorrect setting of shaving plate. 	<ul style="list-style-type: none"> - Adjust shaving plate, if this cannot be adjusted it has to be replaced by the customer service department.
Device starts but blocks under as slight load and switches off via protective motor switch.	<ul style="list-style-type: none"> - Extension cable too long or cross-section too small Socket too far from mains supply and cross-section of mains cable too small. 	<ul style="list-style-type: none"> - Extension cable at least 1.5 mm², maximum 25 m long. If a longer cable is used, minimum cross-section 2.5 mm².

Free Manuals Download Website

<http://myh66.com>

<http://usermanuals.us>

<http://www.somanuals.com>

<http://www.4manuals.cc>

<http://www.manual-lib.com>

<http://www.404manual.com>

<http://www.luxmanual.com>

<http://aubethermostatmanual.com>

Golf course search by state

<http://golfingnear.com>

Email search by domain

<http://emailbydomain.com>

Auto manuals search

<http://auto.somanuals.com>

TV manuals search

<http://tv.somanuals.com>