

MODEL # SGN21

Stinger Pop Stopper (Replaces SPSON and SPSOFF)



Eliminates "Turn-on & Turn-off" pops

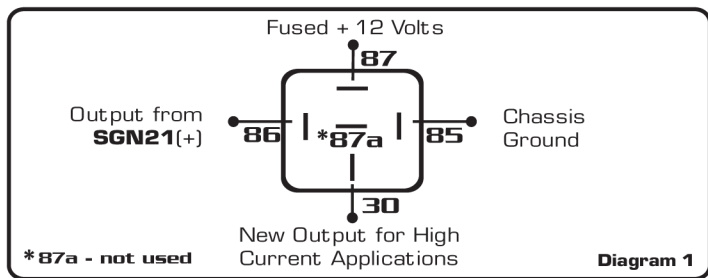
Stinger's new **SGN21** combines the tried and true functionality of the **SPSON** and **SPSOFF**. This approach allows all the features of both to be in one package and that is easy to install.

Installation Location: The **SGN21** can be installed either at the radio or with components in rear of vehicle..

Wiring Connections:

- Yellow:** +12V constant
- Black:** chassis ground
- Blue:** SPS turn-on Trigger
- White/ Blue:** SPS turn-on Output
- Red:** SPS turn-off Trigger
- White/ Red:** SPS turn-off Output

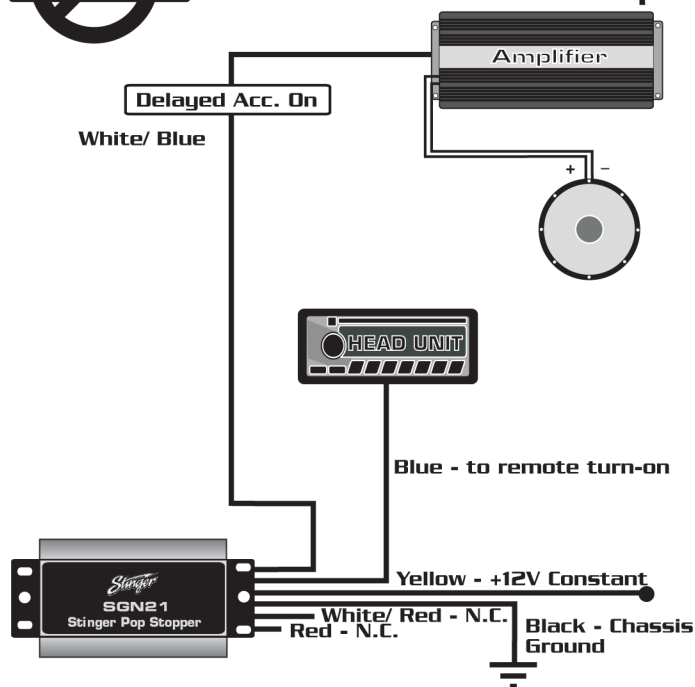
Specification: Output is rated 500mA for both White/ Blue (turn-on Output) and White/ Red (turn-off Output). If more than this is required than an optional relay is necessary (see diagram 1 below).



OPTION 1 - Amplifier On Pop STOP



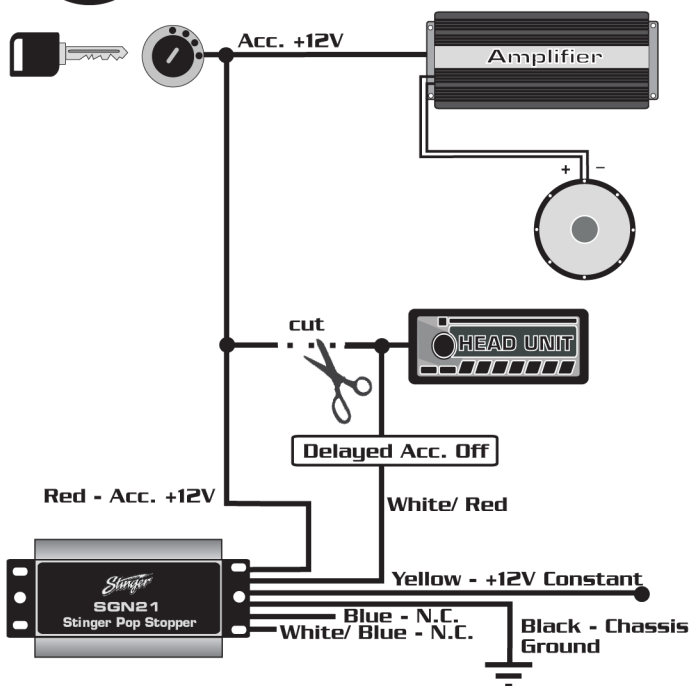
SGN21 On Time Delay Circuit Eliminates "Turn-On Pops"



OPTION 2 - Stereo Off Pop STOP



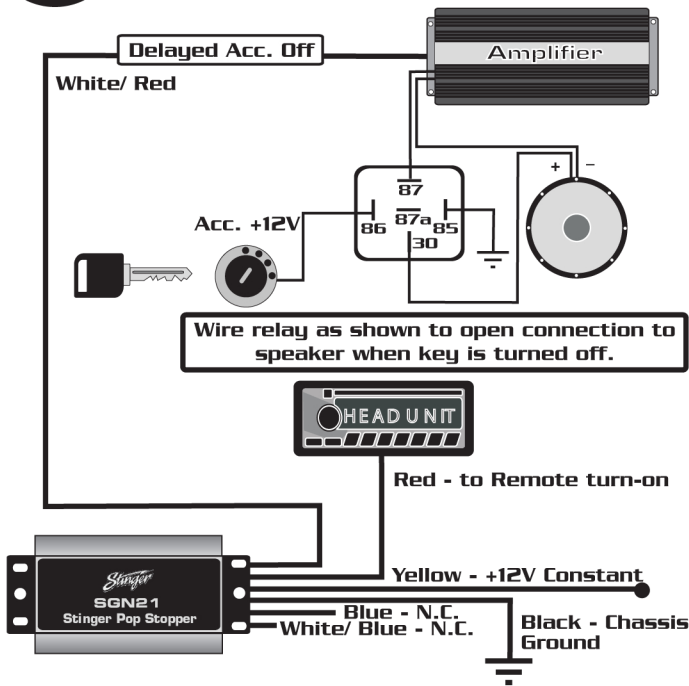
SGN21 Off Time Delay Circuit Eliminates "Stereo Off Pops"



OPTION 3 - Amplifier Off Pop STOP



SGN21 Off Time Delay Circuit Eliminates "Amplifier Off Pops"



Free Manuals Download Website

<http://myh66.com>

<http://usermanuals.us>

<http://www.somanuals.com>

<http://www.4manuals.cc>

<http://www.manual-lib.com>

<http://www.404manual.com>

<http://www.luxmanual.com>

<http://aubethermostatmanual.com>

Golf course search by state

<http://golfingnear.com>

Email search by domain

<http://emailbydomain.com>

Auto manuals search

<http://auto.somanuals.com>

TV manuals search

<http://tv.somanuals.com>