

# STOVAX

---



## *Riva Plus*

### *Wood & Multi-fuel Free Standing Stove*

MODELS:

SMALL, MIDI, MEDIUM & LARGE WOOD & MULTI-FUEL

## **Instructions for Use, Installation and Servicing**

**For use in GB & IE (Great Britain and Republic of Ireland).**



This appliance has been certified for use in countries other than those stated. To install this appliance in these countries, it is essential to obtain the translated instructions and in some cases the appliance will require modification. Contact Stovax for further information.

### **IMPORTANT**

**This appliance will become hot whilst in operation, it is therefore recommended that a suitable guard should be used for the protection of young children, the elderly or infirm. Do not attempt to burn rubbish in this appliance.**

**Please read these Instructions carefully before installation or use.  
Keep them in a safe place for future reference and when servicing the fire.**

**The commissioning sheet found on page 3 of these instructions should be completed by the Installer.**

## COVERING THE FOLLOWING MODELS:

### SMALL, MIDI, MEDIUM & LARGE WOOD & MULTI-FUEL

<b>APPLIANCE COMMISSIONING CHECKLIST</b>	<b>3</b>	<b>COMMISSIONING</b>	<b>25</b>
<b>USER INSTRUCTIONS</b>	<b>4</b>	<b>MAINTENANCE &amp; SERVICING</b>	<b>26</b>
General Points	4	Annual Service	26
Using the Appliance for the first time	5	Removal of Log Guard	27
Recommended Fuels	5	Removal of Fire Brick	27
Lighting the Fire	6	Removal of Baffle	27
Running the Appliance	6	Removal of Multi-fuel grate	27
Burning Tips	8	Fitting a New Glass Door	27
Optional Fan Kit	9	Fitting a New Door Seal	27
Optional Outside Air Kit	9	Fitting & Removal of Multi-fuel grate	27
Ash Removal	9	Fitting & Removal of Wood burning tray	27
Extended Burning	9	Adjusting Door Hinges	28
Over-Firing	9		
Chimney Fire	9		
General Cleaning	10		
Cleaning Glass	10	<b>BASIC SPARE PARTS LIST</b>	<b>29</b>
Chimney Sweeping	10	<b>SERVICE RECORDS</b>	<b>30</b>
Care of Stove	10	<b>EC DECLARATION OF CONFORMITY</b>	<b>31</b>
Seasonal Use	11		
Troubleshooting Tips	11		
<b>INSTALLATION INSTRUCTIONS</b>	<b>12</b>		
Technical Specifications	12		
Standard Features	12		
Packing List	12		
Dimensions	13		
<b>SITE REQUIREMENTS</b>	<b>14</b>		
Flue & Chimney	14		
Flue exit positions	15		
Hearth Dimensions	15		
Walls Next to Hearth	16		
<b>PRE-INSTALLATION</b>	<b>17</b>		
Flue	17		
Additional Ventilation	17		
Ventilation	18		
<b>INSTALLATION</b>	<b>19</b>		
Legal Requirements	19		
Installing the Appliance	19		
Top Flue Installation	19		
Rear Flue Installation	20		
Removal of Log Guard	21		
Fitting & Removal of Baffles	21		
Fitting & Removal of Fire Bricks	22		
Fitting & Removal of Multi-fuel grate	23		
Fitting & Removal of Wood burning tray	24		
Optional Fan Kit	25		
Optional Outside Air Kit	25		



This appliance has been approved by HETAS Ltd.

# APPLIANCE COMMISSIONING CHECKLIST

To assist us in any guarantee claim please complete the following information:-

## Dealer appliance was purchased from

Name: .....

Address: .....

.....

Telephone number: .....

## Essential Information - MUST be completed

Date installed: .....

Model Description: .....

Serial number: .....

## Installation Engineer

Company name: .....

Address: .....

.....

Telephone number: .....

## Commissioning Checks (to be completed and signed)

Is flue system correct for the appliance      YES       NO

Flue swept and soundness test complete      YES       NO

Smoke test completed on installed appliance      YES       NO

Spillage test completed      YES       NO

Use of appliance and operation of controls explained      YES       NO

Instruction book handed to customer      YES       NO

Signature: .....      Print name: .....

# USER INSTRUCTIONS

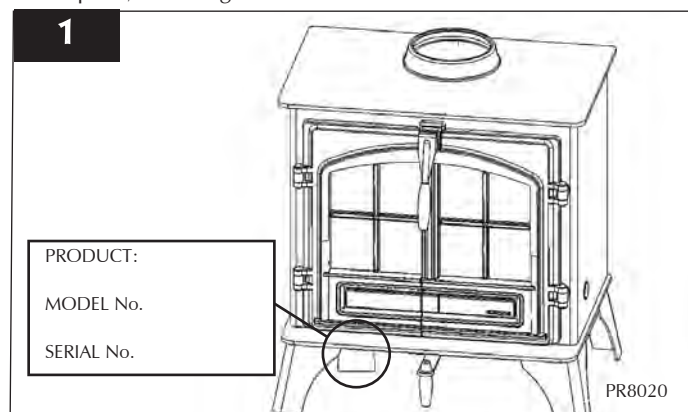
## 1. GENERAL POINTS

- 1.1 Before use of this appliance please read these instructions fully.
- 1.2 All local regulations, including those referring to national and European Standards need to be complied with when installing the appliance.
- 1.3 Only use for domestic heating in accordance with these operating instructions.
- 1.4 You must burn only approved fuels. Do not use with liquid fuels or as an incinerator.
- 1.5 Appliance surfaces become very hot when in use. Use a suitable fireguard if young children, elderly or infirm persons are present. Stovax offer firescreens, sparkguards and hearthgate systems for protection\*. Your Stovax dealer can advise you about these products.
- 1.6 Do not place photographs, TV's, paintings, porcelain or other combustible items on the wall or near the appliance. Exposure to hot temperatures will cause damage.
- 1.7 Extractor fans or cooker hoods must not be placed in the same room or space as this can cause appliance to emit fumes into the room.
- 1.8 Do not obstruct inside or outside ventilation required for the safe use of this appliance.
- 1.9 Do not make unauthorised changes to the appliance.
- 1.10 The chimney must be swept at least once a year. See Section 13
- 1.11 **Do not connect, or share, the same flue or chimney system with another appliance.**

## SERIAL NUMBER

- 1.12 This number is required when ordering spare parts or making warranty claims.

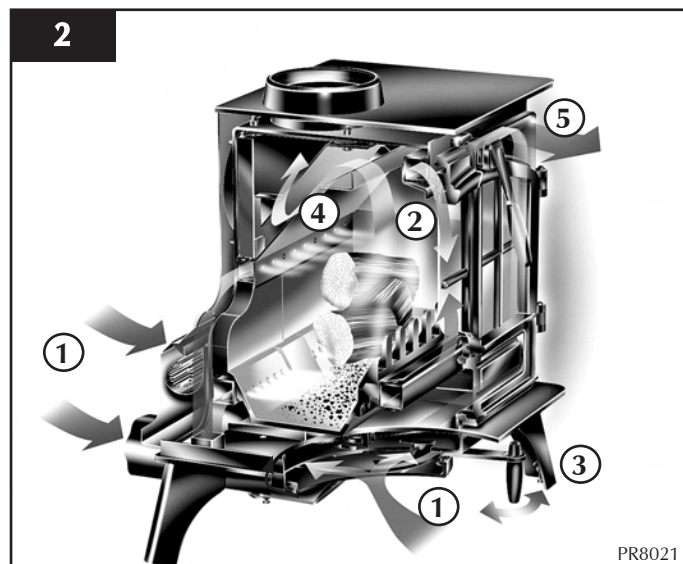
The data is located under the appliance on a swing out plate, See Diagram 1.



## AIR CONTROLS

### Cleanburn Technology and Convector Efficiency

Riva appliances incorporate the latest cleanburn technology with a unique 'Opti-Burn' setting in order to burn fuels with greater efficiency.



- 1) Primary Air - burns the fuel under the fuel bed. For use with solid fuel and initially with wood fires.
- 2) Airwash - air drawn over the window cleans the glass. The source of Primary Combustion air when burning wood.
- 3) Unique 'Opti-Burn' setting provides optimum efficiency and visual effect.
- 4) Clean burn - Secondary air is preheated through a heat exchanger to combust unburned hydrocarbons, providing a cleaner and more efficient burn.
- 5) Convector and radiant heat.

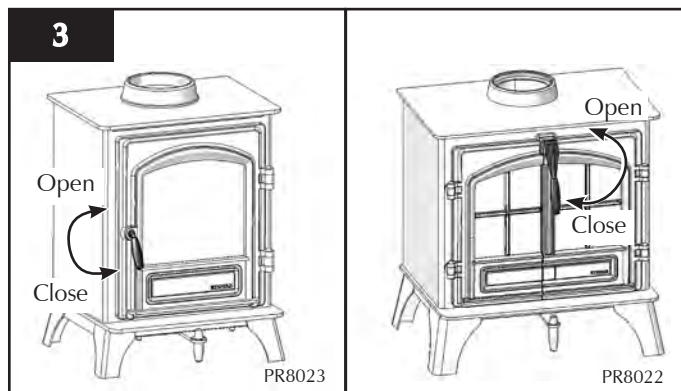
## DOOR HANDLE

- 1.12 Use a protected gloved hand to operate.

**DO NOT OPEN THE DOOR WITH BARE HANDS**

\*In the U.K: These products must conform to BS 6539, Fireguards for use with solid fuel appliances. If appliance is operating unattended they must conform to BS 3248

# USER INSTRUCTIONS



1.16 To open and close the door, See diagram 3

## WARNING

**Properly installed, operated and maintained this appliance will not emit fumes into the room.**

Occasional fumes from de-ashing and refuelling may occur.

**Persistent fume emission is potentially dangerous and must not be tolerated.**

If fume emission does persist:

- Open doors and windows to ventilate the room
- Allow fire to burn out or safely dispose of fuel from the appliance
- Check for chimney blockage and clean if required
- Do not attempt to relight until the cause of the emission has been identified and corrected  
If necessary seek expert advice.
- **All open flued appliances can be affected by temporary atmospheric conditions which may allow fumes to enter the house. Because of this it is recommended that an electronic carbon monoxide detector conforming to BSEN50291 be fitted and maintained.**

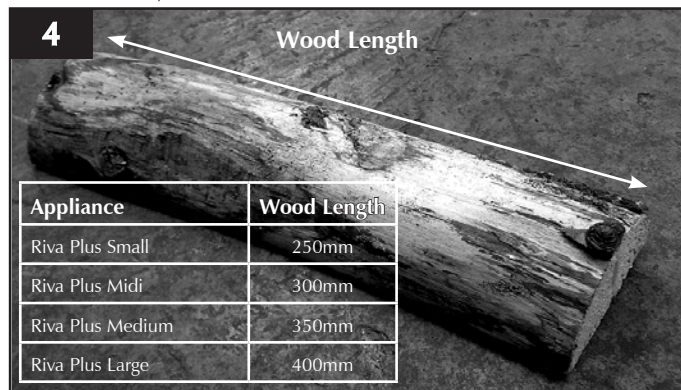
## 2. USING THE APPLIANCE FOR THE FIRST TIME

- 2.1 To allow the appliance to settle and fixing glues and paint to fully cure:
- Operate the appliance at a low output for first few days
- 2.2 **Do not touch the paint during the first period of use.**
- 2.3 During this time the appliance may give off some unpleasant odours:
- Keep the room well ventilated to avoid a build-up of fumes.

## 3. RECOMMENDED FUELS

### 3.1 Wood Logs:

- Burn only seasoned timber with a moisture content of less than 20%



- Dry newly cut wood for 12 to 18 months before use
- Poor quality timber:
  - Causes low combustion efficiency
  - Produces harmful condensation
  - Reduces effectiveness of the airwash and life of the appliance

**Do not burn construction timber, painted, impregnated / treated wood, manufactured board products or pallet wood.**

### 3.2 Solid fuel:

- Burn only anthracite or manufactured briquette smokeless fuels listed as suitable for use with closed heating appliances

**Do not burn bituminous coal, 'petro-coke' or other petroleum based fuels as this will invalidate the product guarantee.**

### 3.3 Fuel consumption.

As tested at nominal heat output to the requirements of EN 13240: 2001 for intermittent operation:

Description	Fuel Consumption	
	Kg/hour Wood	Kg/hour Briquette Smokeless fuel
Small Wood RVP-SMW	1.48	-
Small M/F RVP-SMM	-	0.75
Large Wood RVP-LAW	3.30	-
Large M/F RVP-LAM	-	1.78

\*For Great Britain:

- Ring the Solid Fuel Association advice line on 0845 601 4406 for details
- Visit their web site at [www.solidfuel.co.uk](http://www.solidfuel.co.uk)

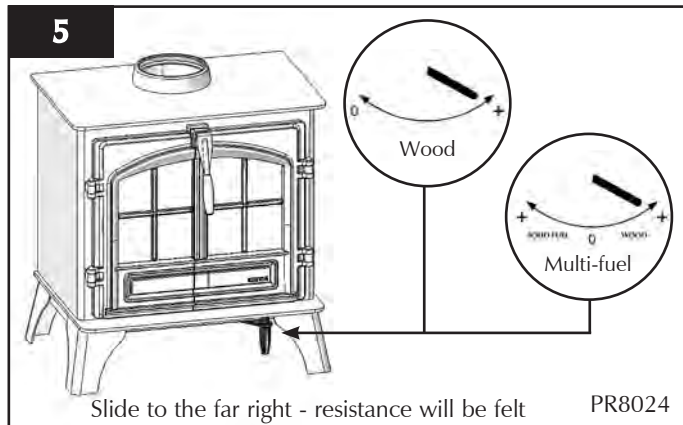
# USER INSTRUCTIONS

- 3.4 For advice on suitable solid fuels:\*
- Contact your local approved coal merchant

A number of factors can affect the performance of the appliance.  
See Section 16 for details.

## 4. LIGHTING THE FIRE

- 4.1 For best results:
- Set air controls, See Diagram 5

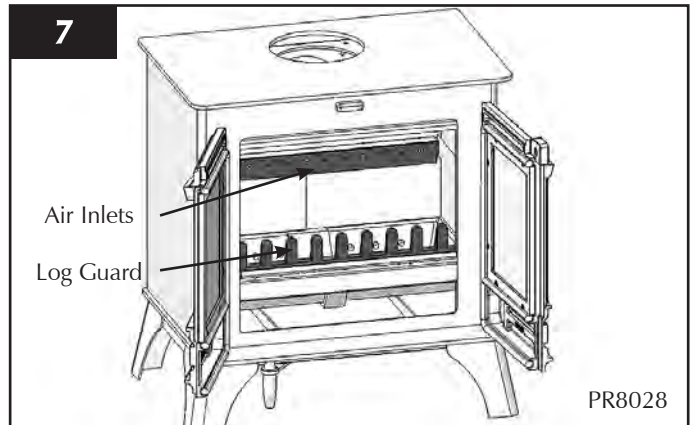


- Place firelighters or paper and dry kindling wood on the grate
- Light the paper or firelighters, See Diagram 6



- Leave the door slightly open as the fire establishes and the glass warms to avoid the build-up of condensation
- Add larger pieces of wood  
Too many logs may smother the fire.

**Do not load fuel above the log guard and the secondary combustion inlets at the back of the firebox.**  
See Diagram 7



- Close the door

**Do not leave the door open as this could over-fire and damage the appliance.**

## 5. RUNNING THE APPLIANCE

### 5.1 Wood Stove:

The Wood burning setting is:

Maximum - Right

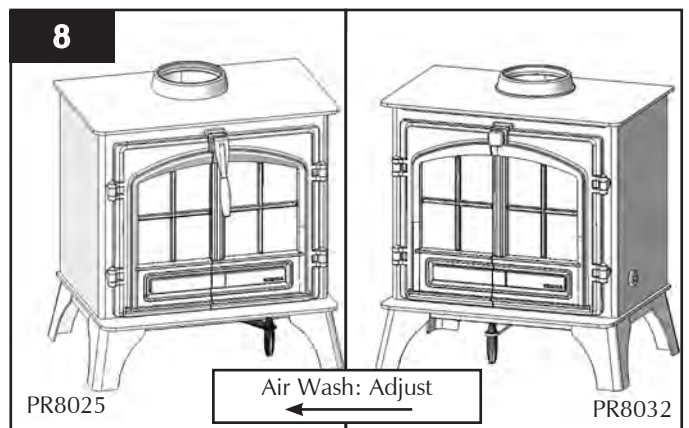
Minimum - Left

Once the fire is established:

- Move the control lever to the centre  
A de-indent ball will locate the arm in the correct position see Diagram 8.

This position is at maximum for burning wood.

The arm can be moved to the left to control the fire.



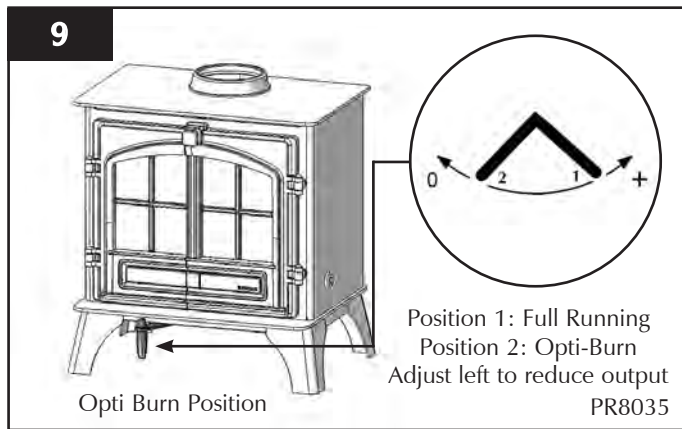
- Wood burns best on a bed of ash
- Rake the embers evenly over the fire bed and open the **Airwash control** fully for a few minutes before re-fuelling

- 5.2 Burn new logs at high output for a few minutes before adjusting the **Airwash control**.

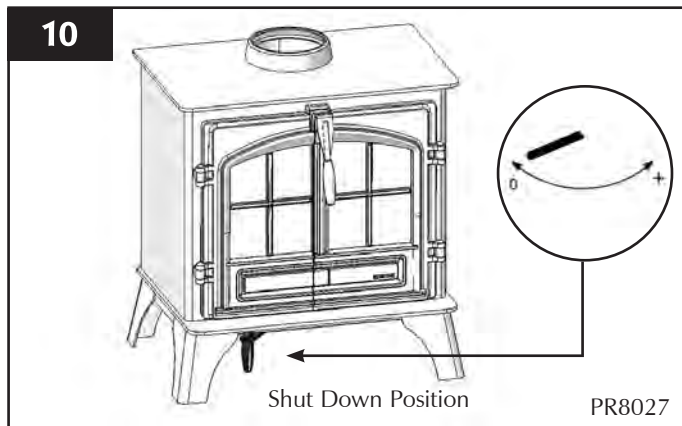
- Refuel little and often for clean, efficient burning.

# USER INSTRUCTIONS

5.3 Experience establishes settings to suit personal preferences.



- Lowest heat out put for burning wood (Opti Burn). This position helps keep the glass clean, Diagram 9



- Lowest possible heat out put for burning wood. This position does not keep the glass clean, Diagram 10

5.4 Do not burn large amounts of fuel with the **Airwash control** closed for long periods of time. This reduces the glass cleaning effect and causes tars and creosotes to build-up in the appliance and flue system.

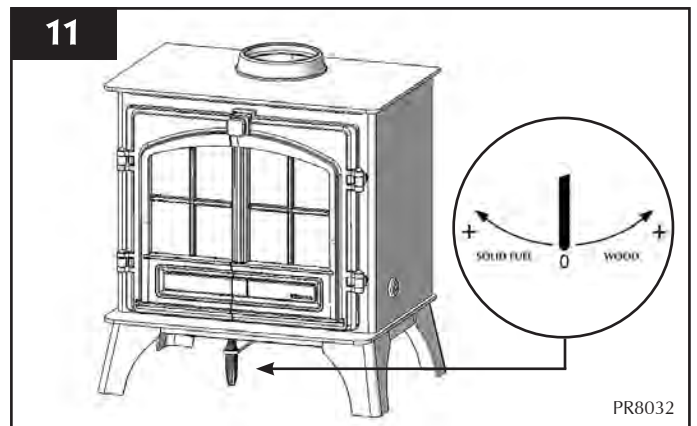
5.5 When in use, burning the appliance at high output for a short period each day also reduces tars and creosote.

## 5.6 Multi-fuel Stove:

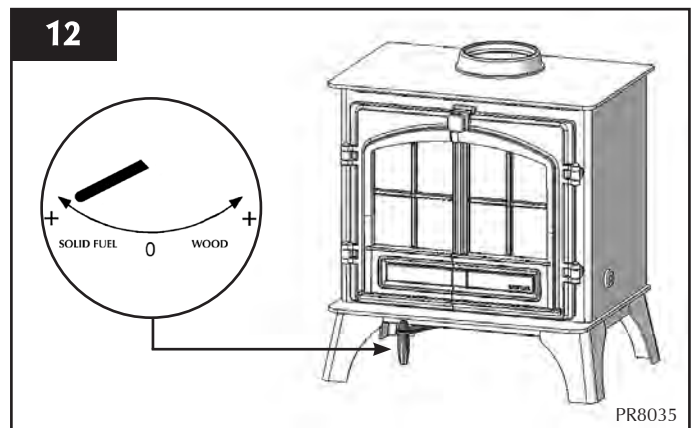
The Solid Fuel setting is from the Centre to the Left  
The Wood burning setting is from the Centre to the Right

Once the fire becomes established:

- Move the control from the wood start up position, See Diagram 6, to the Multi-fuel position on the left, Diagram 11



- Minimum position for burning solid fuel, Diagram 11

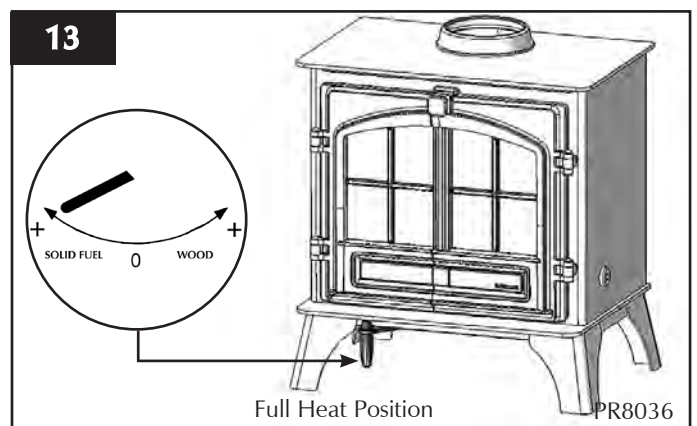


- Maximum position for burning sold fuel. This position helps keep the glass clean.  
A de-dent ball will locate the arm in the correct position see Diagram 12.

5.2 De-ash the fire bed before re-fuelling, See *Ash Removal*

- Open the **Control** fully to establish a glowing bed before adding new fuel
- Burn new fuel at high output for a few minutes before adjusting the **Control** to the desired setting
- Refuel little and often for clean, efficient burning.

5.3 Experience establishes control settings to suit personal preferences.



# USER INSTRUCTIONS

- This position gives full heat out put for burning solid fuel but may discolour the glass, Diagram 13.

5.4 Do not burn large amounts of fuel with the **Control** on low settings for long periods of time. This reduces the glass cleaning effect of the airwash and causes tars and creosotes to build-up in the appliance and flue system.

5.5 When in use, burning the appliance at high output for a short period day also reduces tars and creosote.

5.6 **You must burn only anthracite or smokeless fuels suitable for use in closed appliances.**

5.7 **Do not burn bituminous coal, 'petro-coke' or other petroleum based fuels as this invalidates the product guarantee.**

**Do not load fuel above the log guard and the secondary combustion inlets at the back of the firebox.**

See Diagram 7

## 6. BURNING TIPS

### 6.1 Fuel Quality (Wood)

Use wood with a moisture content of less than 20%. Seasoned logs have the bark beginning to lift and peel away and cracks radiating from the centre. They feel lighter than fresh cut wood of a similar size and sound hollow when struck against each other. Logs should not feel damp or have moss and fungal growths.

Symptoms related to wet wood:

- Difficulty starting and keeping a fire burning well
- Smoke and small flames
- Dirty glass and/or firebricks
- Rapid creosote build-up in the chimney
- Low heat output
- Short burn times, excessive fuel consumption and blue/grey smoke from the chimney

- Burn at high output for a short period each day to avoid large build-ups of tars and creosote within the appliance and the flue system

- Use Stovax Protector chimney cleaner to reduce this problem

### 6.2 Fuel Quality (Solid Fuel)

- Use recommended solid fuels approved for use with closed appliances.

Symptoms related to unsuitable fuels include:

- Difficulty starting and keeping a fire burning well
- Smoke and small flames
- Dirty glass and/or firebricks
- Short life span for grate, baffles and internal firebricks
- Permanent staining of glass

### 6.3 Air inlets puffing smoke

Combustion gases build up in the firebox and ignite as small explosions, causing smoke to puff out of the air inlets and other openings. This occurs if the air controls are shut soon after adding new fuel to a very hot fire. Stop by opening the air controls to increase combustion air and burning rate.

### 6.4 Flue Draught

The chimney has two main functions:

- 1) To safely remove the smoke, gases and fumes from the house.
- 2) To provide a sufficient amount of draught (suction) in the appliance ensuring the fire keeps burning.

Draught is caused by the rising hot air in the chimney when the appliance is lit.

Symptoms of poor performance related to flue draught include:

- Excessive fuel consumption (high flue draught)
- Poor burning control, overheating (high flue draught)
- Wind noise from air controls (high flue draught)
- Difficulty getting a fire going and keeping it burning well (low flue draught)
- Low heat output (low flue draught)
- Smoke entering room when doors opened (low flue draught)

The construction, position, size and height of the chimney all affect the performance of the flue draught.

Other factors effecting the flue draught include:

- Trees or other buildings nearby causing turbulence
- High and gusty winds
- Outside temperature
- Outside weather conditions
- Incorrect additional ventilation to building
- Blocked flue / chimney

For advice on the correction of persistent flue problems consult a qualified solid fuel heating engineer before continuing to use the appliance.

### 6.5 Weather conditions

The weather conditions outside the building can effect the burning performance of the appliance. These could include:

Weather Conditions	Problem	Effect
Windy days	Buildings/Obstacles cause turbulent air around chimney.	Smoky Appliance
Calm days	Oversized Chimney.	Smoky Appliance
Damp / Rainy days	Flue temperature not hot enough. Rain water inside chimney.	Lighting and burning problems



# USER INSTRUCTIONS

To reduce these problems:

- Use good quality kindling wood to start the fire
- Burn initially at a high temperature for a short period
- Fit a rain cowl to the chimney

Your installer should advise you on possible solutions.

If the appliance emits smoke into the room continuously:

- Close the air controls and allow the appliance to go out
- Ventilate the room to clear the fumes

**Do not re-light the appliance until the problem is solved.**

## 7. FAN KIT

- 7.1 This appliance can be fitted with an optional convection fan kit. For installation and operating procedures you must refer to the instructions supplied with the fan kit.

## 8. OUTSIDE AIR KIT

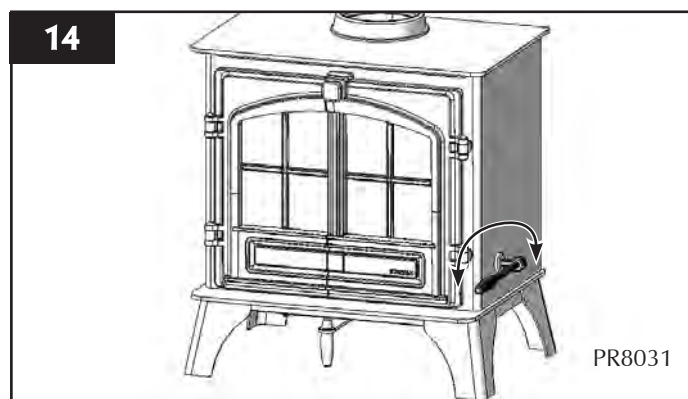
- 7.1 This appliance can be fitted with an optional kit to help bring air directly into the appliance from outside. For installation and operating procedures you must refer to the instructions supplied with the kit.

## 9. ASH REMOVAL

### 9.1 All fuels:

To riddle the appliance:

- Insert the Riddling tool into the socket as shown in Diagram 14



- Move the Riddling tool vigorously backwards and forwards

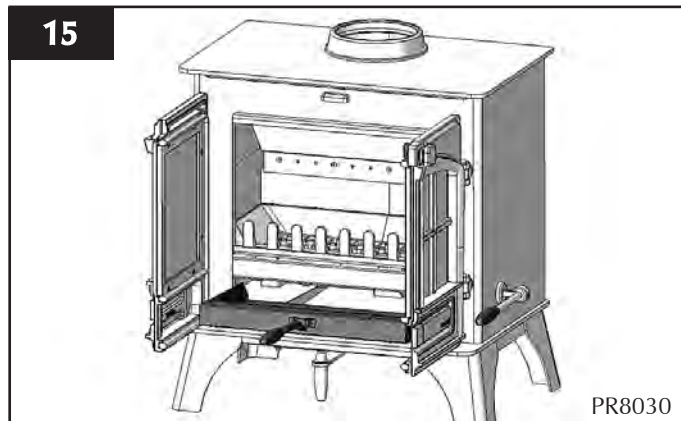
The ash falls into the ashpan

### 9.2

- Open the doors

- Remove Ashpan carefully using tool supplied
- Heat can remain long after use.

15



- Use gloves, or place the ash into a Stovax Ash Caddy (Stovax Part No. 4227)
- Remove ash at least once every week when burning wood
- Do not place hot ash in a bin made from plastic or any other combustible material.

## 10. EXTENDED BURNING

- 10.1 It is possible to get the appliance to burn for extended periods of time. In order to do this:

- De-ash prior to final refuelling
- Set air controls to low combustion settings  
This will blacken the glass but it will clear when operated at high output for a short period.
- Use smokeless fuel or small, thick logs depending on fuel desired

## 11. OVER-FIRING

- 11.1 Do not over-fill with fuel or use at maximum output for long periods or over-firing can occur. If the flue pipe, flue collar or top plate glow red the appliance is over-firing:
- Close the air controls to reduce the output
- 11.2 Over-firing can cause permanent damage to the appliance.

## 12. CHIMNEY FIRE

- 12.1 If a chimney fire occurs:
- Shut all air controls immediately
  - Evacuate the building
  - Call the fire brigade
  - Do not re-enter the building until it is confirmed safe

# USER INSTRUCTIONS

## 12.2 Do not use the appliance after a chimney fire until:

- a) **It has been inspected by a registered installer, confirming the appliance is safe to use\***
- b) The chimney system inspected and swept by a chimney sweep, confirming the system is structurally sound and free from obstruction before re-use.\*\*
- c) **It is repaired as required before re-use.** Use only genuine Stovax replacement parts to keep your appliance in safe and efficient working order.

## 13. GENERAL CLEANING

### 13.1 Allow appliance to cool thoroughly to avoid risk of burns:

- Clean regularly, according to the level of use
  - Give attention to the baffle system, flue ways and removing ash
- Regular cleaning and maintenance will help give many years of safe use.
- Clean matt black appliances using Stovax Collodial black or Stovax Grate Polish
- To refresh painted finishes use Stovax Thermolac paint.
- Clean enamel finishes using warm soapy water and a soft clean cloth
  - Do not use aerosol sprays near an operating appliance

Wipe dry with a soft clean cloth before re-lighting. Do not leave unit without drying, as this may cause rust.

**Do not use abrasive cleaner or cleaning pads to clean enamel finishes.**

## 14. CLEANING GLASS

- Keep the glass clean with correct use of the Airwash system and good quality fuel
- Sometimes additional cleaning may be required.

### 14.1 This can be done as follows:

- Allow appliance to cool fully
- Do not clean hot glass.
- Use a soft cloth and Stovax Glass Cleaner

### 14.2 Before re-lighting the appliance:

- Dry the glass fully

### 14.3 Do not use abrasive cleaner or cleaning pads.

In the U.K:

\* registered with HETAS (GB only)/INFO (Republic of Ireland only)  
\*\*This should be done by a NACS registered (UK only)/INFO registered (Eire only) chimney sweep, who will issue you with a certificate.

## 15. CHIMNEY SWEEPING

- 15.1 To maintain safe and efficient use of the appliance the chimney/flue must be inspected and swept at least once a year by a qualified chimney sweep.\*

If the appliance is used continuously throughout the year or it is used to burn wood or smokeless fuel, more frequent sweeping is recommended.

The best time to have the chimney swept is at the start of the heating season.

The above applies even if burning smokeless fuels.

- 15.2 The chimney, any connecting flue pipe and the appliance flue ways if incorporated, must be regularly cleaned.
- 15.3 Ensure adequate access to cleaning doors where it is not possible to sweep through the chimney.
- 15.4 If the appliance is believed to have previously served an open fire the chimney must be swept a second time within a month of regular use after installation.

## 16. CARE OF STOVE

Stovax has a range of cleaning and maintenance products and accessories to keep your appliance in good working condition. Your Stovax retailer can provide full details but here is a brief list of useful items:

Product Code	Description
3047	Extra long matches
5039	Gas lighter
4052	Log basket
3048	Wood sling - for easy carrying of logs
3016	Log tongs
4027	Extra long protective gloves
5038	Hearthgate - 5 section (for areas 1780x610mm)
5044	Hearthgate - 7 section (for areas 1780x405mm)
4227	Ash caddy - 382x102x306mm
4228	Ash caddy - 446x102x306mm
4229	Ash caddy - 382x102x459mm
4230	Ash caddy - 637x127x408mm
4231	Ash caddy - 306x178x459mm
2091	Ashclean vacuum cleaner attachment
4232	Steel brush

# USER INSTRUCTIONS

Your retailer can provide genuine spare parts such as replacement glass, door sealing rope and fire bricks when required. An annual service by a competent engineer is recommended to keep your appliance in best possible condition.

## 17. SEASONAL USE

- 17.1 Clean and service the appliance if it is not used during the warmer periods of the year as detailed in the *Maintenance and Servicing* section
- 17.2 Set the air controls 50% open to keep the appliance ventilated and stop the build-up of any moisture inside.
- 17.3 Before re-lighting the appliance:
  - Remove the baffles
  - Clear any debris that may have accumulated
  - Check the flue is clear of any blockages

## 18. TROUBLESHOOTING TIPS

### 18.1 Stove glass blackening:

This has four possible causes:

1. **Incorrect use of airwash** – See Sections 1, 4 and 5 for the correct use of the air controls.
2. **Burning unseasoned wood** – See Section 3 to identify when wood is ready for burning.
3. **Stove operated at too low a temperature** - good working temperature is 300-500° F (120 – 250° C). A stove pipe thermometer can identify this problem (Stovax part no 3046)
  - Burn with the airwash control fully open for approximately 20 minutes to cure thisThe problem may be caused by damping your appliance down overnight.
4. **Problems with the flue** – in particular insufficient air pull. If the flue is not working efficiently the glass can blacken. A flue which has too much downdraft may be too short or needs lining or has too many bends. This can also cause blackening of your stove glass. Contact the installer or a flue specialist for advice.

### 18.2 Riddling mechanism jamming:

This occurs when fine ash builds up under the riddling bars preventing movement. To prevent this:

- Follow a regular cleaning routine for the inside of your appliance
- Lift out the riddling mechanism and remove all ash
- Replace riddling mechanism when cleaning is complete

### 18.3 Glass cracking:

Do not over tighten the screws on the glass clips when replacing the glass as this causes stress and the intense temperature changes can cause the glass to crack. For replacement glass contact your local Stovax dealer.

### 18.4 Appliance is producing tar:

This is identified by:

- A very strong pungent smell shortly after the appliance is lit and heats up
- Glass blackening
- Thick, brown and sticky tar oozes from the pipe joints

This is caused by burning damp wood and burning your appliance at too low a temperature;

- Use well seasoned wood and operate the appliance in the ideal temperature range

Tar is a major cause of chimney fires - if you experience problems with tar build up consult a chimney sweep before continued use of your appliance.

**Ideal working temperature** range is 130°C and 240°C (270°F – 465°F). Failing to close down the primary air control once the appliance has heated up to this range may cause the appliance to over-fire and to exceed the ideal temperature range. Over-firing can cause permanent damage to the appliance and invalidates your warranty.

# TECHNICAL SPECIFICATION

## RIVA APPLIANCE

MODEL: Riva Plus Small RVP-SMM/RVP-SMW  Riva Plus Large RVP-LAM/RVP-LAW			Riva Plus Small RVP-SMM/RVP-SMW			Riva Plus Large RVP-LAM/RVP-LAW
Nominal Heat Output	Wood	kW	5.0			11.0
	Solid Fuel	kW	5.0			11.0
Flue Draught at Nominal Heat Output	All	mm Wg	1.5			1.5
		inch Wg	0.05			0.05
		Pa	12.5			12.5
Flue Gas Mass Flow	Wood	g/s	4.5			7.9
	Solid Fuel	g/s	4.4			6.0
Flue Gas Temperature at Spigot / Socket	Wood	C	290			326
	Solid Fuel	C	251			408
Flue Outlet Six (Top/Rear Option)		mm	128			153
		inch	5			6
Weight		Kg	95			175
Recommended Fuels	Wood	Seasoned wood (less than 20% moisture content)				
	Solid Fuel	Briquette smokeless fuel suitable for closed appliances (Ancit-Phuracite-Taybrite-Homefire Ovals)				
As tested to the requirements of EN 13240 for intermittent operation						

### 1. STANDARD FEATURES

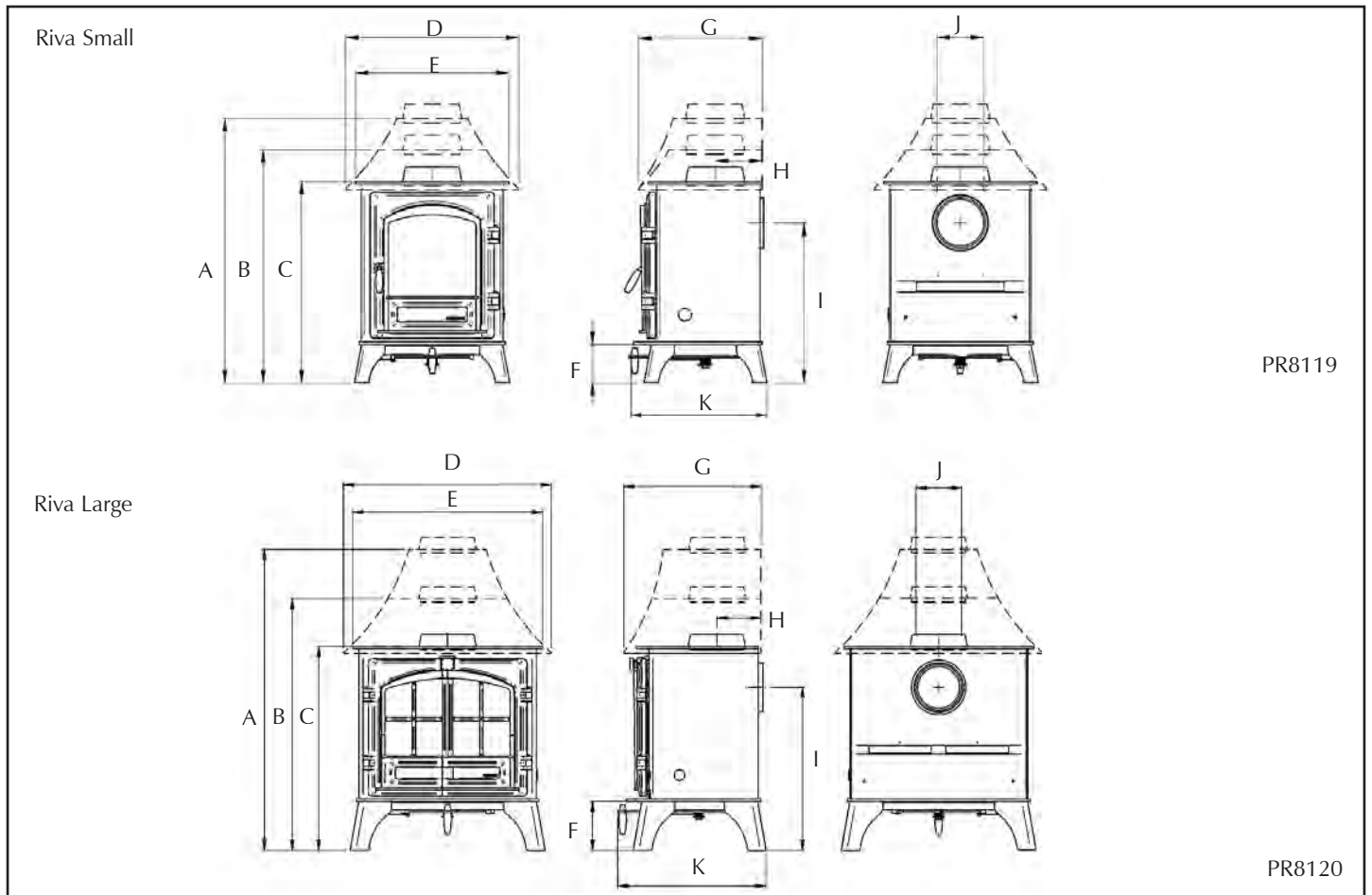
- Primary air
- Airwash
- Secondary air control (to ensure complete burning of flue gases)
- Riddling grate system for clean de-ashing – (Multi-fuel appliances only)
- Top or rear flue exit option

### 2. PACKING LIST

- Instructions
- Guarantee card
- Flue Collar
- Tools: Hex Keys
- Gloves
- Blanking Plate
- Door Tool - Double Door Only
- Ash Pan Tool - Multi-fuel
- Accessories Catalogue
- Thermic Seal
- Riddling Tool - Multi-fuel

# SITE REQUIREMENTS

## RIVA DIMENSIONS



Description	Model	A	B	C	D	E	F (dia)	G	H	I	J	K
Riva Plus Small	RVP-SMM/ RVP-SMW	723	637	551	474	420	105	338	128	438	128	378
Riva Plus Large	RVP-LAM/ RVP-LAW	1013	848	687	700	640	166	463	150	549	153	499

All dimensions in mm. (25.4 mm = 1")

# SITE REQUIREMENTS

## 1. FLUE OR CHIMNEY

- 1.1 The flue or chimney system must be in good condition. It must be inspected by a competent person and passed for use with the appliance before installation

**Products of combustion entering the room can cause serious health risks.**

- 1.2 You must check the following:

— The construction of the masonry chimneys, flue block chimneys and connecting flue pipe system must meet the requirements of the Building Regulations†

— A flexible flue liner system can be used if certified for use with solid fuel systems and installation complies with manufacturer's instructions and Building Regulations. The flue liner must be replaced when an appliance is replaced unless proven to be recently installed and in good condition.

— If it is necessary to fit a register plate it must conform to the Building Regulations†

— The minimum height of the flue or chimney must be 4.5m from the hearth to the top of the flue, with no horizontal sections, a maximum of 4 bends with angles of less than 45 degrees

— Ensure the connecting flue pipe it kept a suitable distance from any combustible material and does not form part of the supporting structure of the building

— Make provision to remove the appliance without the need to dismantle the chimney

— Any existing flue must be confirmed as suitable for the new intended use as defined in the Building Regulations

— The flue or chimney systems must be inspected and swept to confirm the system is structurally sound and free from obstructions\*\*

— If the appliance is believe to have previously served an open fire the chimney must be swept a second time within a month of regular use after installation to clear any soots falls that may occurred due to difference in combustion levels.

— The flue exit from the building must comply with local building control rules.†

— Do not connect or share the flue or chimney system with another heating appliance

- 1.3 Do not connect to systems containing large voids or over 230mm square.

- 1.4 You must provide suitable access to enable the collection and removal of debris.

- 1.5 You must sweep and inspect the flue when the appliance is installed.

- 1.6 You must check the flue draught with all windows and doors closed and any extraction fans in this or adjoining rooms running at maximum speed. (See next section for additional ventilation requirements)

**Max. Draught = 2.0mm Wg**

**Min. Draught = 1.0mm Wg**

### In the U.K:

\*BS 6461: Part 1, and the requirements of Building Regulations

\*\*This should be done by a NACS registered (UK only)/ INFO registered (Eire only) chimney sweep, who will issue you with a certificate.

† Building Regulations Document J

### Flue Plate:

Where a hearth, fireplace, flue or chimney is provided or extended (including cases where a flue is provided as part of refurbishment work), information essential to the correct appliance and use of these should be permanently posted in the building, to meet Requirement J4 of the Building Regulations (England and Wales), F3.12 (Scotland).

† Building Regulations Document J

### Additional:

A new factory made system that complies to EN 1856; Part 1 can be used providing installation is to the requirements of:

- i) BS 7566 Parts 1 -4
- ii) the manufacturer's instructions
- iii) Building Regulations.

For a guide containing information on Chimneys and Flues contact:

The British Flue & Chimney Manufacturers' Association,  
FETA

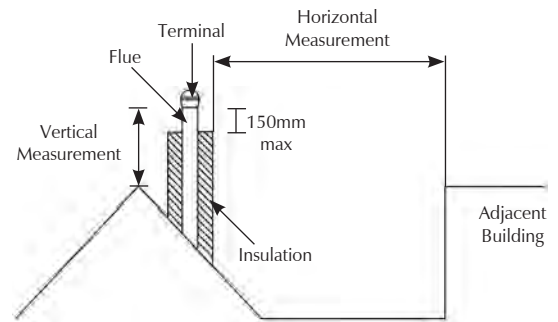
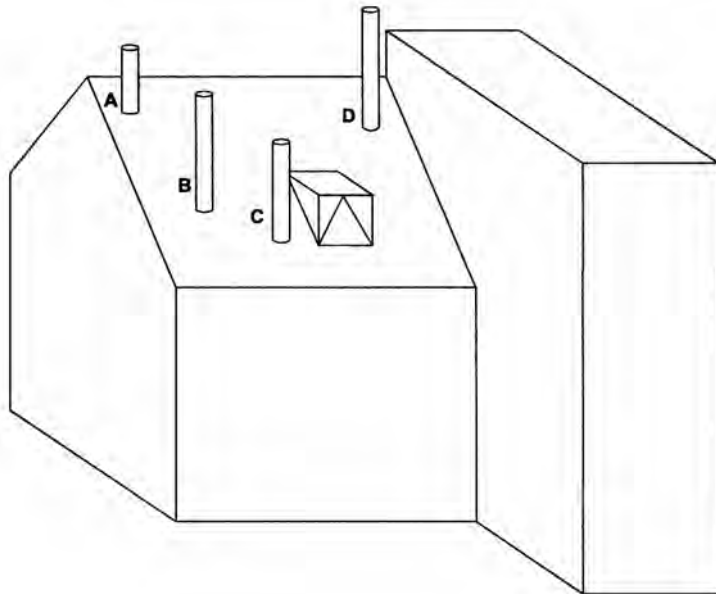
2 Waltham Court  
Milley Lane  
Hare Hatch  
Reading  
Berkshire RG10 9TH

Tel: 0118 9403416

e-mail: info@feta.co.uk

# SITE REQUIREMENTS

## 1. FLUE OUTLET POSITIONS

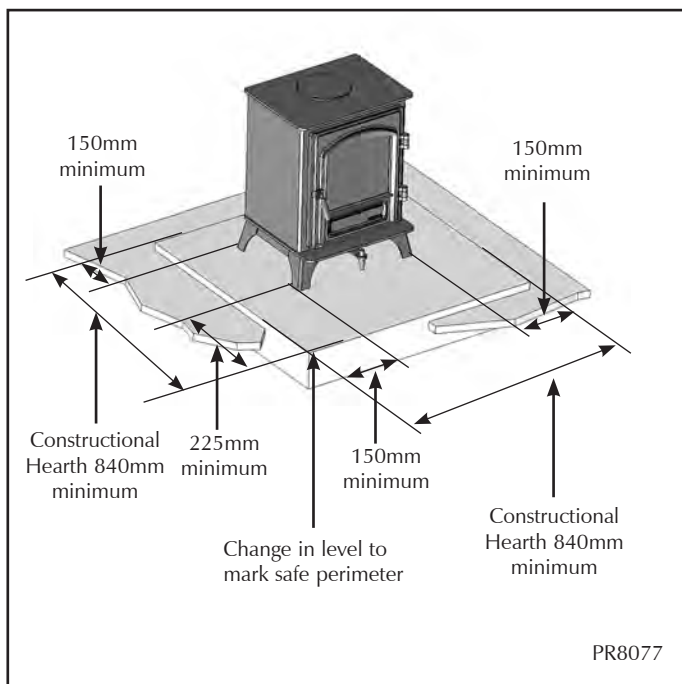


The vertical measurement is the lowest from either the point of discharge or 150mm above insulation.

	Position On Roof	Minimum Clearances
A	On ridge or within 600mm	600mm above ridge
B	Elsewhere on roof	2300mm horizontally from roof surface and: a) 1000mm above highest point of flue exit from roof or b) as high as the ridge
C	On pitched, within 2300mm horizontally to openable window, dormer	1000mm above top of opening
D	Within 2300mm of another building	600mm above top of building

IMPORTANT: Seek specialist advice if installing in a dwelling with a thatched roof

## 2. HEARTH DIMENSIONS

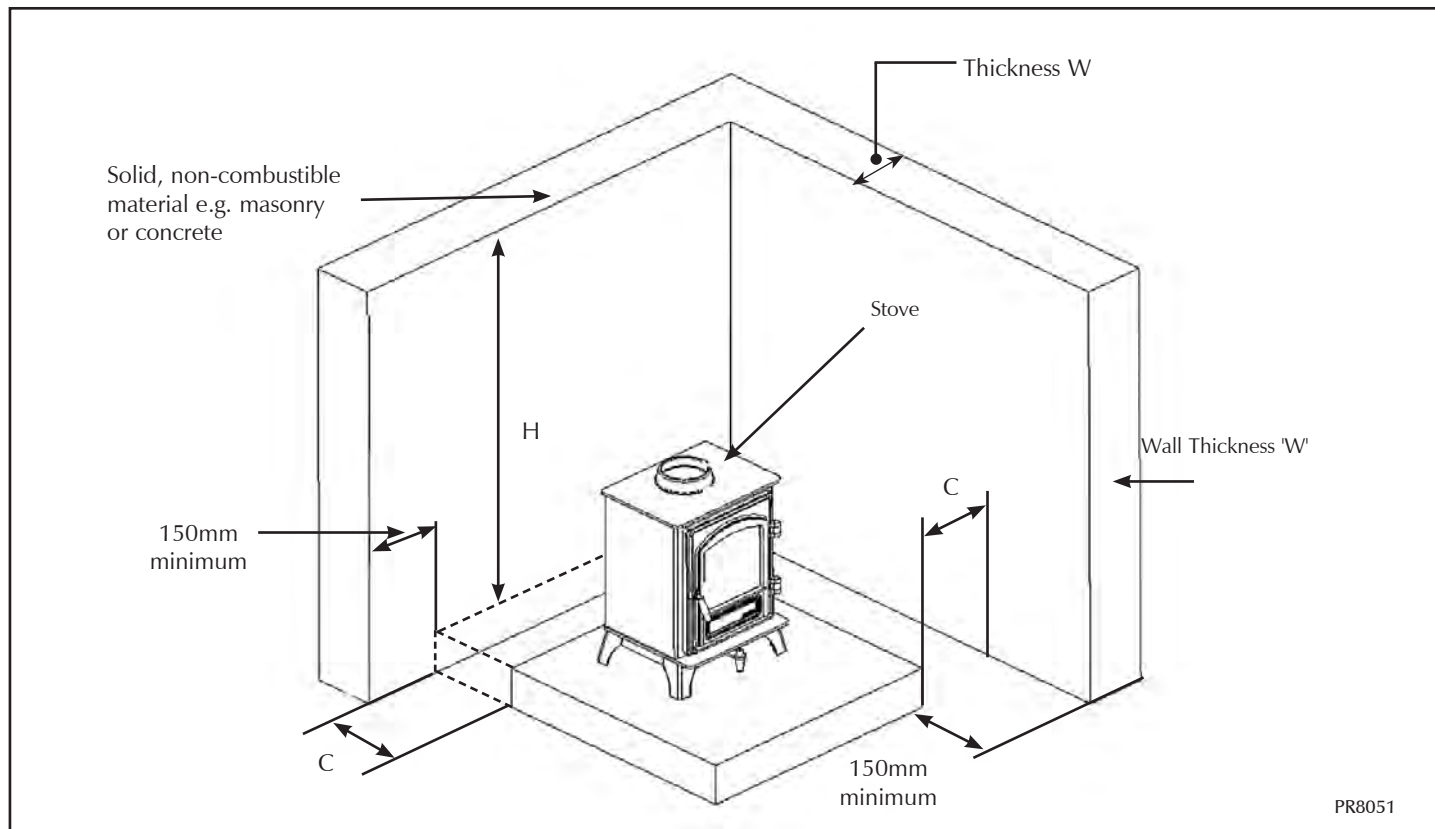


- 2.1 The appliance must stand on a constructional hearth with the minimum dimensions as shown in the diagram below.
- 2.2 The building must have a suitable load-bearing capacity for the hearth and appliance.
  - Consult a structural engineer for advice before proceeding
- 2.3 When fitting into an existing hearth check:
  - that the appliance complies with current construction regulations and is at least the minimum sizes shown
- 2.4 If there is no existing fireplace or chimney it is possible to construct a suitable non-combustible housing and hearth setting. The flue must be installed in accordance with all local and national regulations and current rules in force .
  - Check if adding a new chimney to your property requires planning permission

PR8077

# SITE REQUIREMENTS

## 3. WALLS NEXT TO A HEARTH



PR8051

Position of Appliance & Hearth in relation to walls		Requirement for the walls	
Distance of hearth from wall 'C'	Distance of Appliance to wall	Min thickness of Wall 'W'	Min height of wall 'H'
0mm	0mm - 50mm	200mm	Height of appliance + 300mm Or 1200mm from the hearth (take largest dimension)
0mm	51mm - 300mm	75mm	
0 - 150mm	150mm +	75mm	1200mm
150mm +	300mm +	No Minimum Requirement	

**Suitable clearance should be allowed around the stove to enable the correct fitting and maintenance of the appliance. Any clearances should be confirmed by making a site survey and a physical check of wall thickness and dimensions.**



# PRE-INSTALLATION CHECKS

## 1. FLUE

MODEL: Riva Plus Small RVP-SMM/RVP-SMW  Riva Plus Large RVP-LAM/RVP-LAW			Riva Traditional Small RVP-SMM/RVP-SMW			Riva Traditional Large RVP-LAM/RVP-LAW
Flue/Chimney Size	Without flue liner Round (diameter)	mm	150			150
		inch	6			6
	Without flue liner system Square (diameter)	mm	135			135
		inch	5½			5½
	With liner or Factory made system (diameter) <small>installed in accordance with manufacturer's instructions</small>	mm	†150			†150
		inch	†6			†6
Flue/Chimney <small>(*minimum height)</small>	All products	metre	4.5			4.5
		feet	13			13
* When measured from the top of the stove to the top of the flue, with no horizontal sections and a maximum of 4 bends with angles of less than 45°						
†May be 125mm (5") if only burning low volatiles (smokeless) fuels approved for use in Smoke Control Areas. See website <a href="http://uksmokecontrolareas.co.uk">http://uksmokecontrolareas.co.uk</a> for more information about approved fuel						

## 2. ADDITIONAL VENTILATION

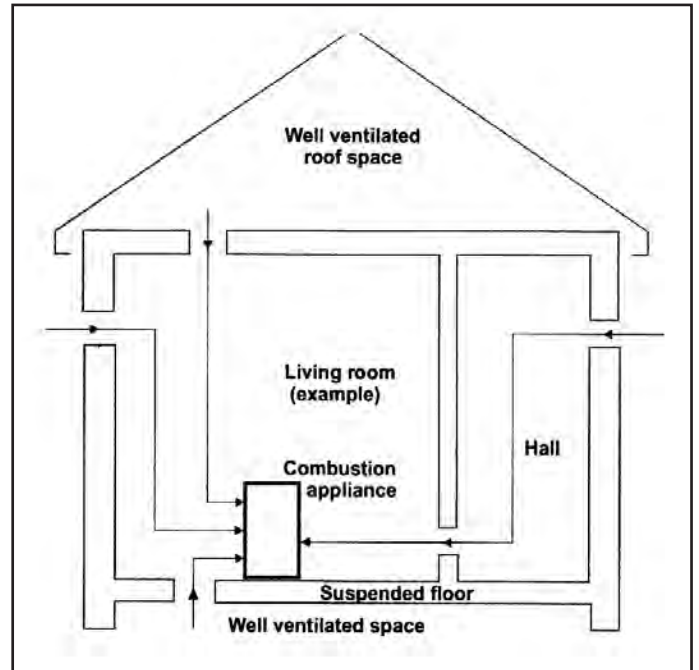
- 2.1 Additional ventilation is required to comply with the requirements of the Building Regulations. This must be provided using a permanently open air vent, of the size listed, which is positioned so that it is not liable to be blocked both inside and outside the building.
- 2.2 Extractor fans or cooker hoods must not be placed in the same room or space as this can cause the appliance to emit fumes into the room.
- 2.3 **If any of these checks reveal problems do not proceed with the fitting of the appliance until they have been rectified.**

MODEL: Riva Plus Small RVP-SMM/RVP-SMW  Riva Plus Large RVP-LAM/RVP-LAW			Riva Traditional Small RVP-SMM/RVP-SMW	Riva Traditional Large RVP-LAM/RVP-LAW
Additional Ventilation	mm <sup>2</sup>	NONE	3300	
	cm <sup>2</sup>	NONE	33.0	
	in <sup>2</sup>	NONE	5.12	

# PRE-INSTALLATION CHECKS

## 3. VENTILATION

- 3.1 This appliance requires ventilation to supply combustion air. Any room containing the appliance must have a permanent air vent opening with a total free area of at least  $550\text{mm}^2$  per kW of appliance rated output above 5kW.
- 3.2 Increase air supply provisions where a room contains multiple appliances.
- 3.3 If vents open into adjoining rooms or spaces there must be an air vent of at least the same size direct to the outside.
- 3.4 Permanent air vents should be non-adjustable and positioned where they are unlikely to become blocked.
- 3.5 Site the vents where cold draught is unlikely to cause discomfort. This can be avoided by placing vents near ceilings or close to the appliance, see Diagram opposite.
- 3.6 This appliance can be fitted with an optional kit to help bring air directly into the appliance from outside. For installation and operating procedures you must refer to the instructions supplied with the kit.



# INSTALLATION INSTRUCTIONS

## LEGAL REQUIREMENTS

**Before installation of this product please read these instructions fully.**

It is very important to understand the requirements of the national Building Regulations\* and standards\*\*, along with any local regulations and working practices that may apply. Should any conflict occur between these instructions and these regulations then the regulations must apply.

Your local Building Control Office can advise regarding the requirements of the regulations.

The appliance must be fitted by a registered installer, or approved by your local building control officer.

Works must be carried out with care to meet the requirements of Health and Safety† and comply with the Health and Safety rules, and any new regulations introduced during the lifetime of these instructions.. Particular attention should be drawn to:

- **Handling:** The appliance is heavy. Adequate facilities must be available for loading, unloading and site handling.
- **Fire Cement:** Some fire cement is caustic and must not come into contact with the skin. Protective gloves must be worn. Wash hands thoroughly with plenty of water after contact with skin.
- **Asbestos:** This appliance contains no asbestos. If there is the possibility of disturbing any asbestos in the course of installation seek specialist guidance and use appropriate equipment.
- **Metal Parts:** Take care when installing or servicing the stove to avoid personal injury.

**A faulty installation can cause danger to the inhabitants and structure of the building.**

**For users of this appliance:**

Your building insurance company may require you to inform them that you have installed a new heating appliance. Check that your cover is still valid after installing the appliance.

## 1. INSTALLING THE APPLIANCE

Each installation is unique to the property so it is not possible to give details to suit every setting. The installation must comply with Building Regulations and be made using "best practice" construction methods.

Many fireplace openings have a supporting lintel. Do not remove without supporting the remaining structure of the building. **Do not support the structure with the appliance or the flue system.**

In The U.k:

\* England and Wales – Document J / Scotland - Part F/ Document J (Republic of Ireland only)

\*\* In the U.K BS 8303, BS 6461, BS 7566

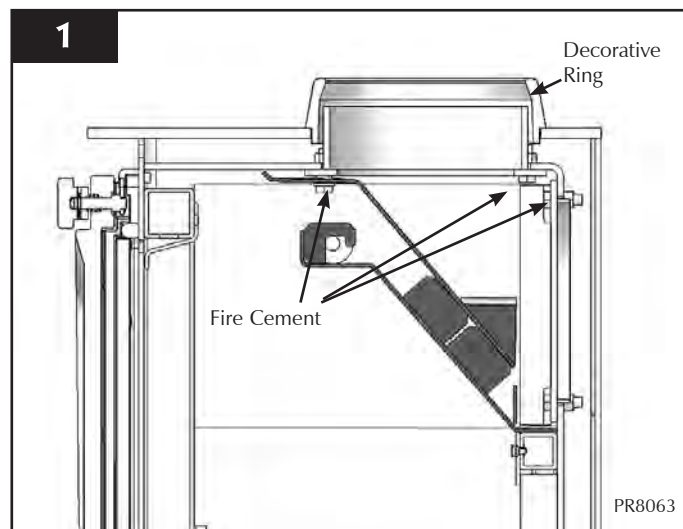
† registered body: HETAS (GB only)/INFO (Eire)

‡ Health and Safety at Work Act 1974

1.1 **Take care when installing the appliance. Careless handling and use of tools can damage the finish and/or area.**

- Select and fit the required flue option

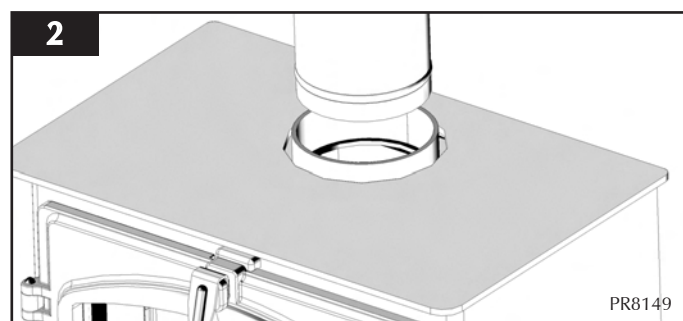
1.2 The appliance is factory supplied with a top flue outlet but the flue collar and blanking plate require sealing with Fire Cement before use, Diagram 1



## 2. TOP FLUE INSTALLATION

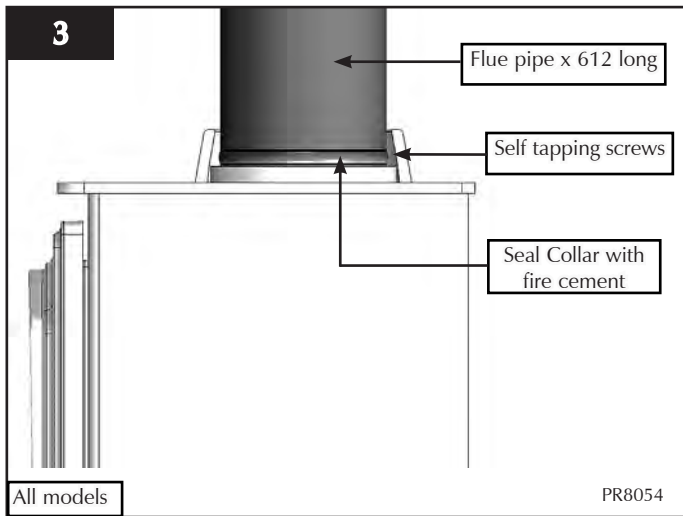
2.1 To fit the pipe to the collar:

- Lift appliance into position
- Take care not to damage the hearth finish
- Connect appliance to the chimney using flue pipe
- Secure with self tapping screw
- Seal the connecting joints

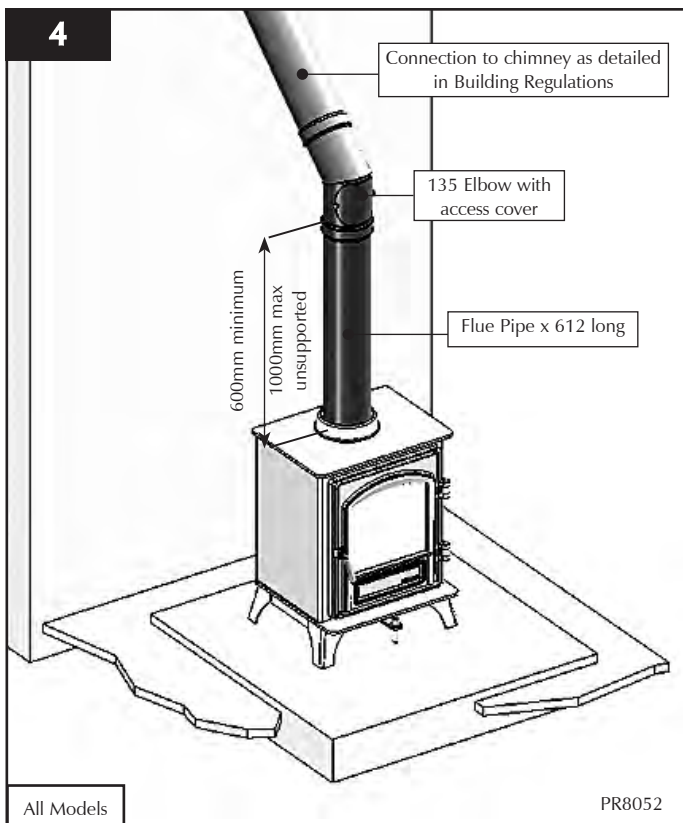


The Flue must be installed in accordance with manufacturers instructions.

# INSTALLATION INSTRUCTIONS



2.2 Connect a flue pipe 612mm long by inserting it into the flue spigot and seal using fire cement. Fit the cast iron finishing collar over the flue pipe and locate into recess in the top cover

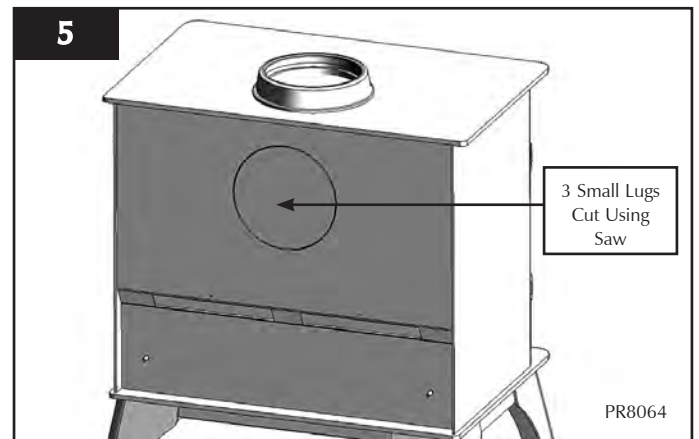


## 3. REAR FLUE INSTALLATION

Because the stove is supplied for top flue exit, you need to move the blanking plate to the top of the appliance and fit the collar and flue pipe to the rear:

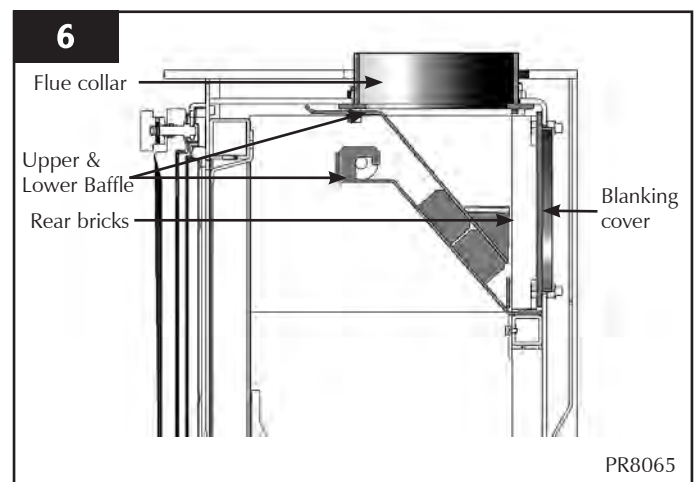
3.1 (Tools required - cross-headed screw driver, 10mm A/F spanner/socket wrench and a key hole saw).

- Remove the flue break-out cover using a small key hole saw to cut the 3 securing lugs



3.2 To change from top to rear exit flue, reverse the flue spigot and blanking plate using the method detailed.

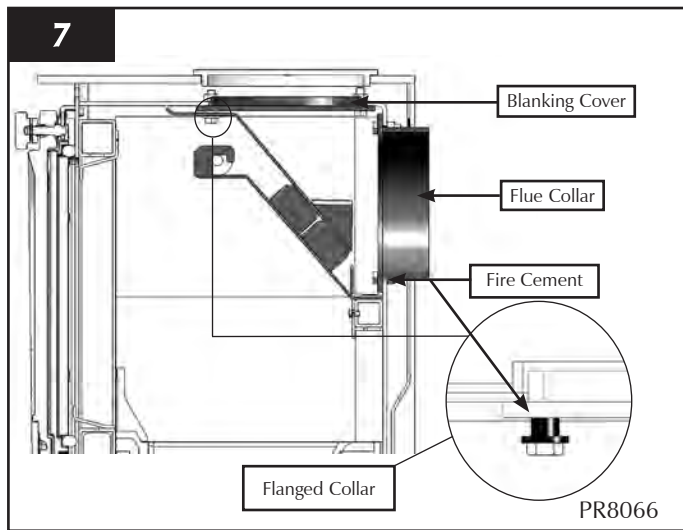
- Remove the upper and lower baffle, see Section XX



- Remove the top bricks, see Section 5
- Remove the flue collar using a 10mm A/F spanner/socket wrench to remove the 4 fixing bolts including the 2 flanged spacers
- Remove the blanking plate using a 10mm A/F spanner/socket wrench to take out the 4 bolts

# INSTALLATION INSTRUCTIONS

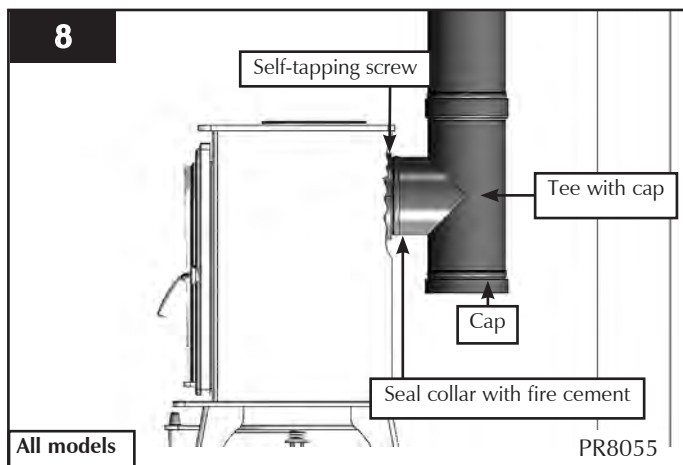
## 3.3 Fitting the flue collar and blanking plate to the top



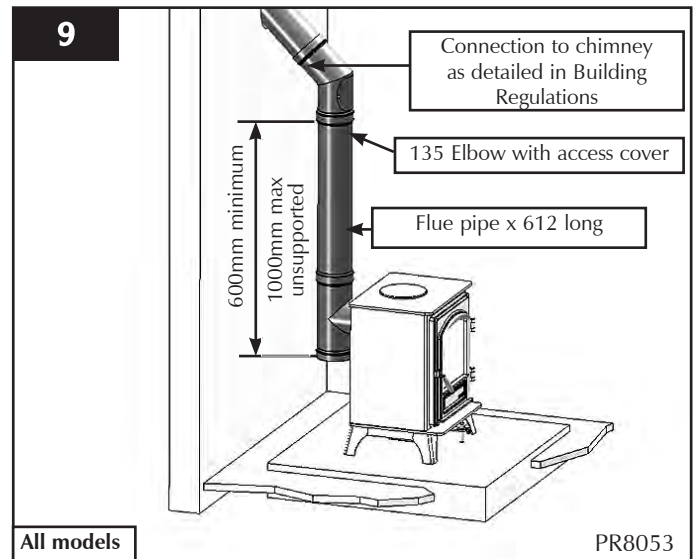
- Fit the blanking plate to the top flue outlet
- Use the 4 bolts (including the 2 flanged spacers as shown), seal to the firebox as shown using fire cement
- Fit the flue collar to the rear flue outlet using the 4 bolts from the cover plate
- Seal to the firebox using fire cement
- Do not replace the top, rear or centre firebricks
- Re-install upper and rear baffle

## 3.4 The following flue pipe is available to ensure safe installation:

5" Tee	Stovax Product Code 4516
6" Tee	Stovax Product Code 4616
5" 135° Bend	Stovax Product Code 4512
6" 135° Bend	Stovax Product Code 4512
5" Flue Pipe x 612mm long	Stovax Product Code 4501
6" Flue Pipe x 612mm Long	Stovax Product Code 4601



## 3.5 Typical Top Flue Pipe Installation



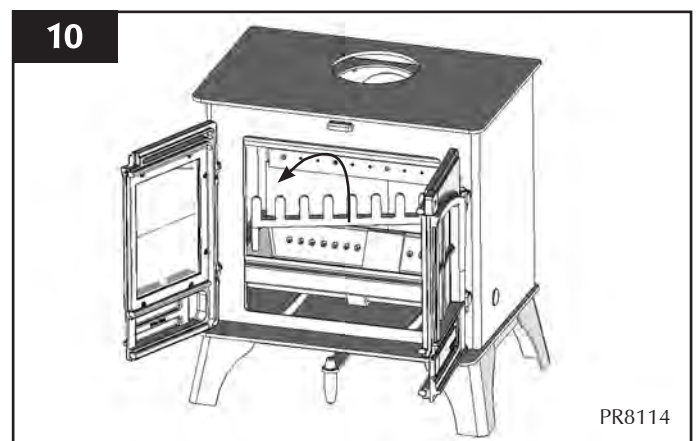
All models

PR8053

## 4. REMOVAL OF THE LOG GUARD

### 4.1 To remove the Log guard:

- Lift Log Guard clear of the supporting brackets
  - Rotate to clear the sides of the door opening.
- Do not use appliance without the log guard in position.**



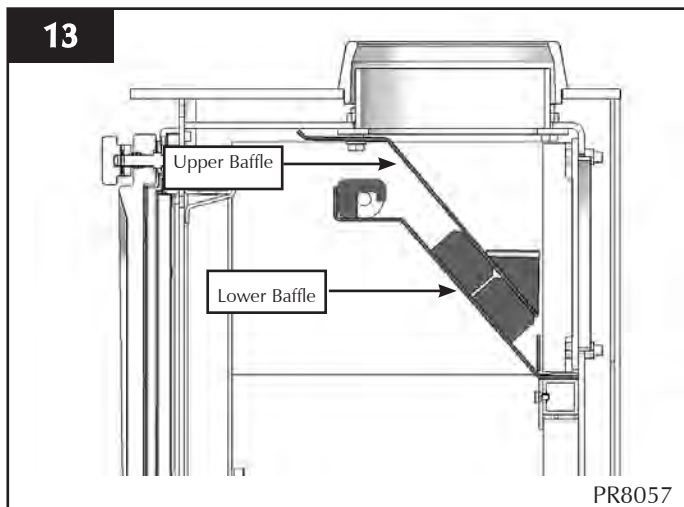
## 5. FITTING AND REMOVAL OF THE BAFFLES

No tools are required.

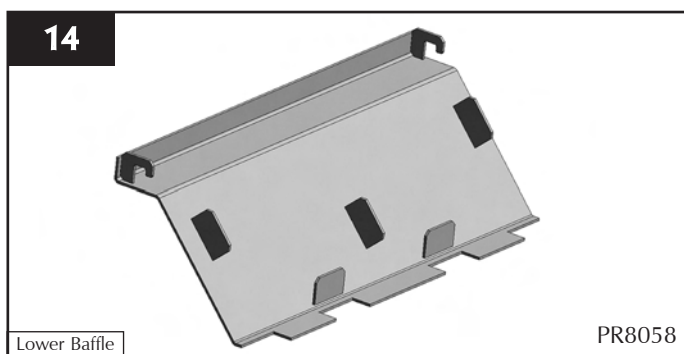
### 5.1 To maintain efficient combustion the Riva Stove is fitted with a twin baffle system, consisting of upper and lower baffles.

### 5.2 First remove the Log Guard from the stove to give access to the firebox.

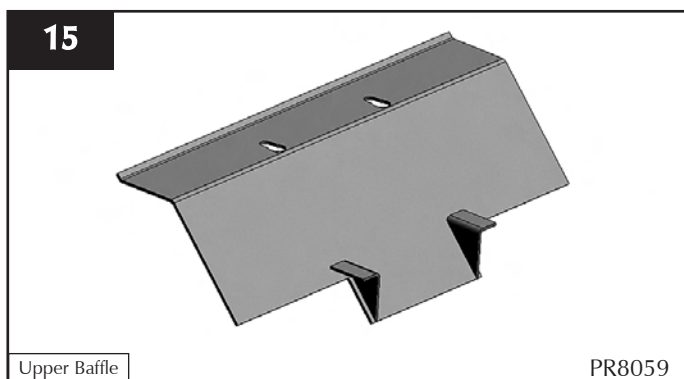
# INSTALLATION INSTRUCTIONS



- 5.3 Remove the **Lower Baffle** (see diagram) by lifting the front edge to unhook it from the support bars
- Pull the baffle forward to disengage the rear edge from the location above air inlet holes
  - Rotate the baffle to remove from the firebox through the door opening.



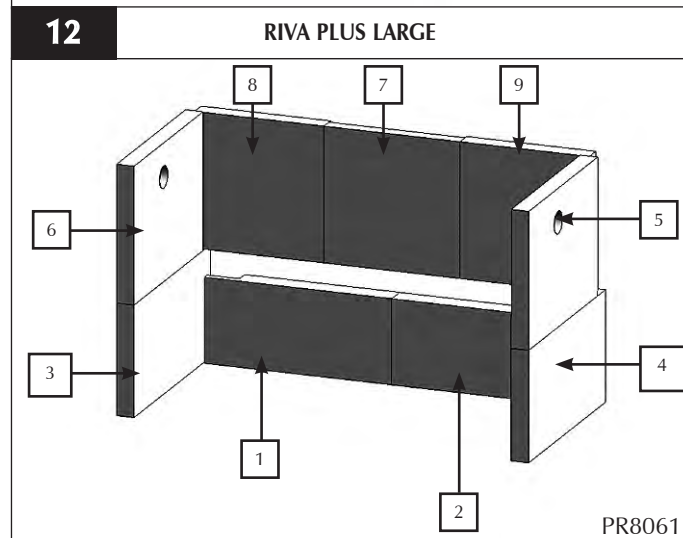
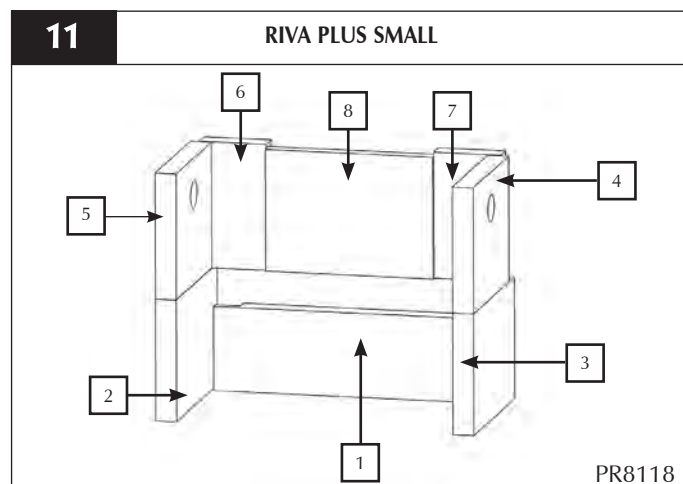
- 5.4 **Next**, remove the **Upper Baffle** (see diagram) by pulling forward to disengage it from the hanging points at the top of the firebox
- Rotate the baffle to remove it from the firebox through the door opening.
- 5.5 Reverse the above process to replace the baffles



**Do not modify the baffle**

## 6. FITTING AND REMOVAL OF THE FIRE BRICKS

- 6.1 Remove the firebricks as part of the routine maintenance. This can be carried out without the use of tools.
- 6.2 Allow the appliance to cool fully before removing firebricks.
- 6.3 Take care when handling, as bricks can become fragile after use. Life span depends on the type of fuels burnt and the level of use.
- Replace damaged bricks as soon as possible
- 6.4 Remove the baffles and grate system
- Remove secondary air facia plate screws using a pozidrive screwdriver
  - Remove the bricks in the correct order as shown in Diagrams 11 and 12



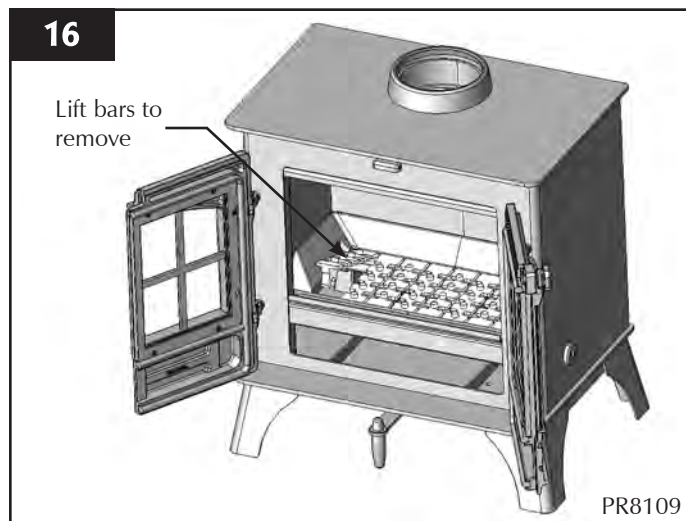
# INSTALLATION INSTRUCTIONS

## 7. FITTING AND REMOVAL OF THE MULTI-FUEL GRATE

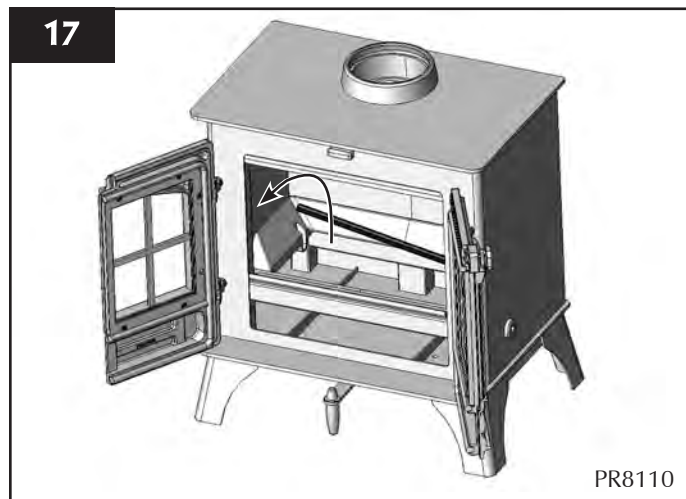
7.1 The Multi-fuel grate can be removed for cleaning to maintain good working condition.

To remove the grate:

- Remove the log guard to enable access, See Section 4
- Remove the ashpan
- Remove the Riddling Bars, Diagram 16

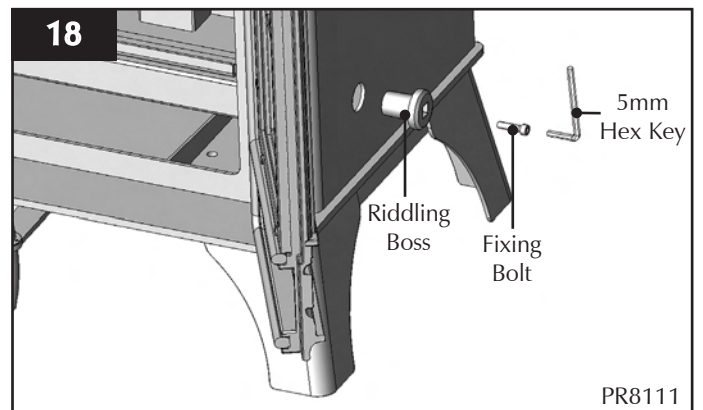


- Remove Rear Bar, Diagram 17

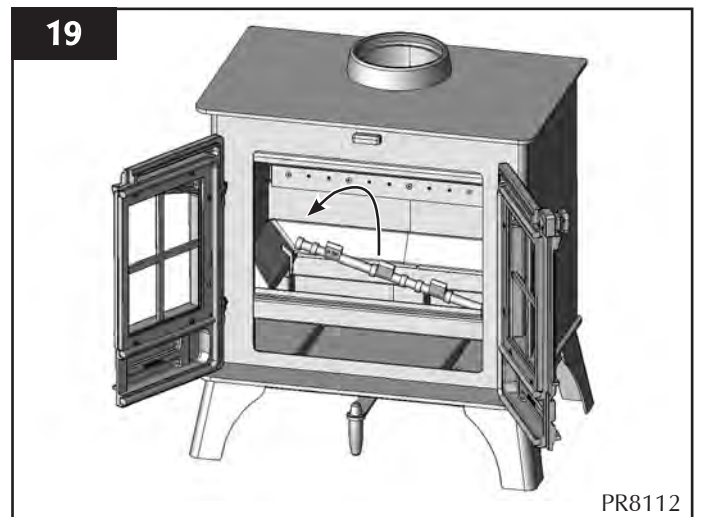


To remove the Riddling Boss:

- Use the 5mm Hex Key as shown in Diagram 18
- Unscrew the Boss

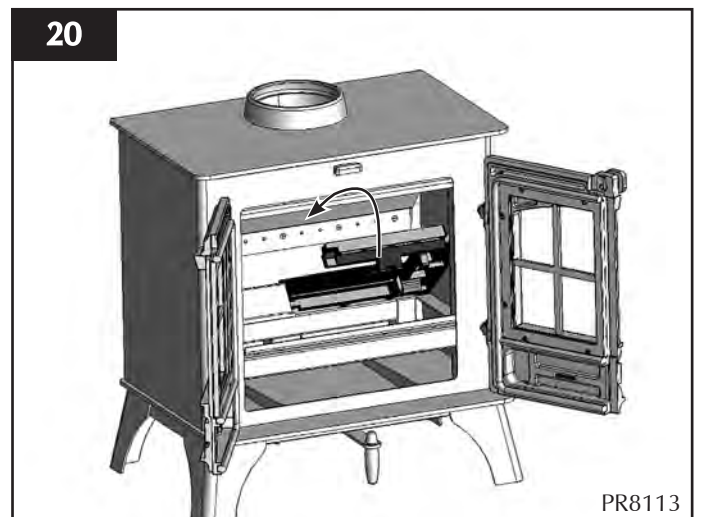


- Remove Riddling Cam Bar, Diagram 19



To remove Multi-fuel frames:

- Remove bricks, see Section 3
- Lift frames from the front
- Remove Right Hand Side first through the front of the stove
- Repeat for the Left Hand Side



- Replace in reverse order

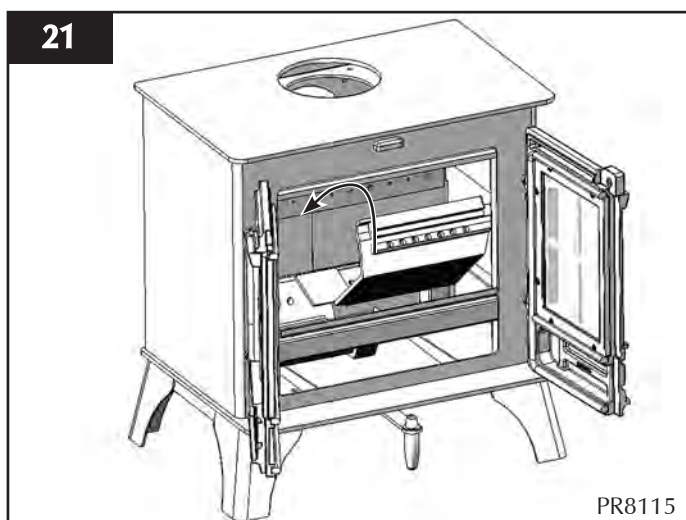
# INSTALLATION INSTRUCTIONS

## 8. FITTING AND REMOVAL OF THE WOOD BURNING TRAY

8.1 The Wood Burning tray can be removed for cleaning to maintain good working condition.

To remove the Wood tray:

- Remove the Log guard, see Section 4
- Remove the bricks, see Section 5
- Remove Right Hand Side first through the front of the stove
- Repeat for the Left Hand Side



- Replace in reverse order

## 9. FAN KIT

9.1 This appliance can be fitted with an optional convection fan kit. For installation and operating procedures you must refer to the instructions supplied with the fan kit.

## 10. OUTSIDE AIR KIT

10.1 This appliance can be fitted with an optional kit to help bring air directly into the appliance from outside. For installation and operating procedures you must refer to the instructions supplied with the kit.



# COMMISSIONING

## COMMISSIONING

### 1.1 To commission:

- Replace the firebricks, baffle, and log retainer
- Check the door alignment and catch operation, adjust if required, see Installation Section 6. Adjusting Door hinges
- Check the soundness of door seals, castings and joints
- Check the operation of the air controls

### 1.2 Now carry out a final smoke draw test:

- First warming the flue with a blowlamp, or similar, for about 10 minutes
- Place a smoke pellet on the centre of the grate, with the air controls open
- Close the door  
Smoke should now be drawn up the flue and be seen to exit from the flue terminal
- Complete test with all doors and windows closed in the room where the appliance is fitted
- If there are any extractor fans in adjacent rooms, the test must be repeated with the fans running on maximum and interconnecting doors open
- Check the effect of ceiling fans during the test

If the test fails, re-check the suitability of the flue system and ventilation. An inadequate air supply to the room is potentially dangerous.

- Light the appliance and slowly increase the temperature to operating levels
- Ensure no combustion products enter the room
- Open the main fire door when the appliance reaches operating condition and carry out a spillage test with a smoke match or pellet around the door opening

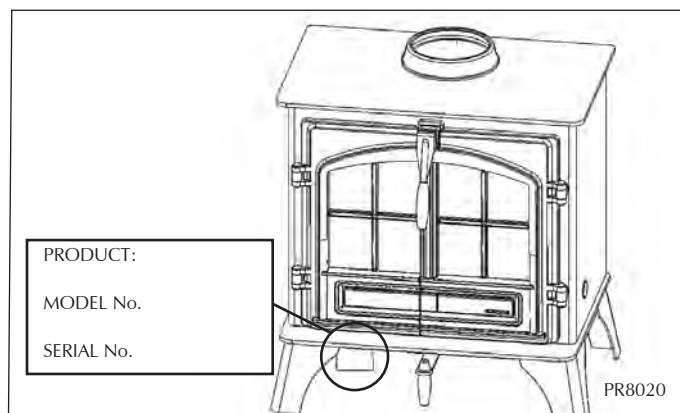
### 1.3 If excessive spillage occurs:

- Allow the appliance to cool and re-check the flue system and ventilation

### 1.7 Finally:

- **Explain the safe operation of the appliance and the use of the controls to the user and the importance of only using suitable fuels**
- **All open flued appliances can be affected by temporary atmospheric conditions which may allow fumes to enter the house. Because of this it is recommended that an electronic carbon monoxide detector conforming to BSEN50291 be fitted and maintained.**

- **Explain the cleaning and routine maintenance requirements**



- **Record dealer/supplier details and installer details in *Instructions***

- **Record serial number in page 3 of *Instructions***  
This number is required when ordering spare parts and making warranty claims

- **Give the copy of the *Instructions* to the customer**

# MAINTENANCE and SERVICING

For a complete list of spare parts and accessories contact your Stovax or call 01392 474011

## 1. ANNUAL SERVICE

1.1 At the end of the heating season strip, inspect and clean the appliance as detailed:

- Allow appliance to cool

- Remove all of the following internal parts; baffle, firebricks, complete grate, and ash pan. For Multi-fuel versions remove the complete grate and ash pan.

See sections 3 and 4 on how to remove the baffles and firebricks. Take care handling firebricks, as they can become fragile after a period of use.

- Vacuum clean any remaining ash and debris from the inside of the appliance.

Stovax offer a filter/collection attachment for your vacuum cleaner to protect it from fire ash. Ash Clean (Stovax Part No. 2091).

- Clean the internal surfaces of the appliance using a wire brush and scraper as required  
Vacuum and brush the resulting debris from the appliance.

- Clean the grate parts with a wire brush, and check the parts for any damage

- Replace any damaged parts

- Check and clean the firebricks with a soft brush

- Replace broken bricks

Some surface damage will occur during use. The life of the bricks will depend on the type of fuels burnt and the level of use. Damaged bricks should be replaced as soon as possible.

- Re-fit cleaned internal parts

- Remove the glass from the door and discard all old rope seals

- Remove the door rope seal from the outer edge of the door and clean the old glue from the door sealing rope groove

- Clean the door glass using Stovax Glass cleaner and a soft cloth

Do not use abrasive cleaners to remove tar or soot deposits from the glass.

- Replace the glass edge seal with new and re-fit the glass into place in the door

- Fit new door rope seal, gluing it in place with Stovax Thermic Seal rope adhesive

- Press the new door sealing rope into the locating groove, placing the joint in the middle of the lower edge of the door.

When fitting new door seals, close the appliance door and leave for at least 12 hours before using. This allows the adhesive to fully bond to the seal before use.

- Lightly oil the door catch mechanism and hinge pins  
Avoid getting oil onto the door seals and glass.

To refresh painted finishes use Stovax Thermolac paint.

1.2 Use genuine Stovax replacement parts to keep your appliance in safe and efficient working order. Your local Stovax dealer can provide you with the parts you require.

This is a list of the maintenance products you may need to use

Task	Product name	Stovax Code Number
Glass cleaning	Stove glass cleaner 500ml (wipe on)	4111
	Stove glass cleaner (spray on)	4103
Preventing build-up of creosote in flue	Protector (15 sachets)	7002
	Protector (1kg tub)	7025
Sealing flue pipe joints	Fire Cement (500g tub)	2020
	Fire Cement (600g cartridge)	2021
Re-painting	Thermolac Black (400ml aerosol)	2019
	Thermolac Black (200ml brush-on)	2057
Cleaning matt black Appliances	Colloidal black (85ml)	7000
Protecting your hands	Heat resistant leather gloves	4008
Door sealing rope	14mm Black rope seal (handy pack)	5000
	14mm Black rope seal (25m reel)	4670
Glass sealing tape	3mm Black rope seal (handy pack)	4975
	3mm Black rope seal (25m reel)	4974
Thermic seal glue	(50ml bottle)	5037
Soft rope	10mm diameter	4965
Ash Clean	Vacuum Cleaner Attachment	2091

These products, available from your local Stovax dealer, along with regular maintenance and use of correct fuels, will keep your appliance in the best possible condition.

1.3 If you require more information about Stovax group products visit our web site [www.stovax.com](http://www.stovax.com)

# MAINTENANCE and SERVICING

- 1.4 Using the appliance for the first time:
- Burn at a low output for the first day of use  
This allows the seals, fixing glues and paint to fully cure.
- 1.5 During this time the appliance may give off some unpleasant odours:
- Keep the room well ventilated to avoid a build-up of fumes.
- 1.6 Your Stovax dealer can carry out service and maintenance.

## 2. REMOVAL OF THE LOG GUARD

- 2.1 See *Section 4, Installation Instructions*, to remove and replace the log guard:

## 3. REMOVAL OF FIRE BRICKS

- 3.1 See *Section 5, Installation Instructions*, to remove and replace fire bricks

## 4. FITTING AND REMOVAL OF BAFFLE

- 4.1 See *Section 6, Installation Instructions*, to remove and replace the baffles.

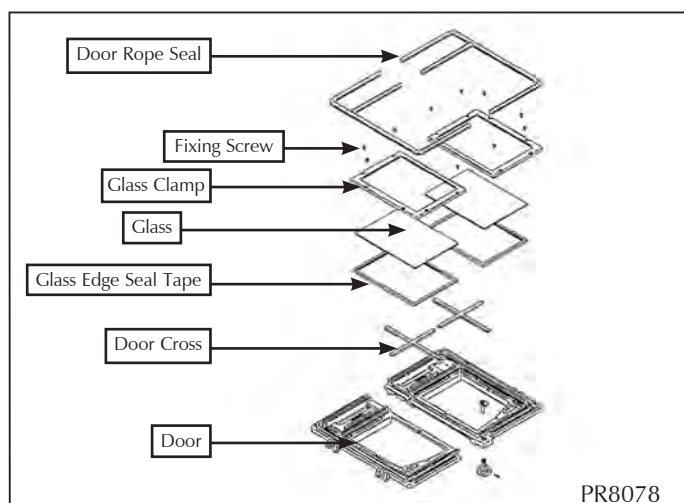
## 5. REMOVAL OF MULTI-FUEL GRATE

- 5.1 See *Section 5, Installation Instructions*, to remove and replace the multi-fuel grate.

## 6. REMOVAL OF WOOD BURNING TRAY

- 6.1 See *Section 7, Installation Instructions*, to remove and replace the wood burning tray.

## 7. FITTING A NEW DOOR GLASS ALL MODELS



- 7.1 To maintain the safe use of your stove you may need to replace a damaged door glass. To complete this operation:

- Lift the door free of the hinge blocks on the right of the single door or both side for the double door
- Lie the door on a soft flat surface, to protect the glass and the paintwork
- Use a 2.5mm A/F hexagon key to remove the exposed fixing screws in the glass clamp, see Diagram

The old glass can then be lifted clear of the door. (Note how the edge sealing tape is fixed.) Remember to dispose of the old glass safely.

- Clean, and re-paint, the rear of the door if required
- Clean the screws with light oil or WD40® to aid future removal
- Fit the edge sealing tape to the new glass
- Place the glass into position in the door
- Place the door glass clamp back in to position and re-fix with the clean fixing screws

- 7.2 Fit only Stovax Ceramic Glass, which is suitable to use in high temperature applications.

- 7.3 Using the appliance with a damaged door glass could cause dangerous fumes to enter the room, or the stove to over fire, resulting in damage.

## 8. FITTING A NEW DOOR SEAL ALL MODELS

- 8.1 To maintain the safe use of your appliance you need to replace damaged or worn door sealing rope. To complete this operation:

- Remove the door from the appliance, by opening, removing the hinge pins and lifting the door free of the hinge blocks
- Lay the door face down on a soft flat surface, to protect the paintwork and glass
- Remove the old rope and scrape old glue from the locating groove  
Clean the locating groove with a clean dry cloth to remove all old dust and debris.
- Squeeze a generous bead of fresh Stovax Thermic Seal glue into the rope locating groove

# MAINTENANCE and SERVICING

- Press the new Stovax rope into the locating groove, placing the joint in the middle of the lower edge of the door
- Refit the door and close the door to apply pressure to the new rope
- Leave the appliance closed for at least 12 hours before lighting the appliance and using at a low output for approximately one day

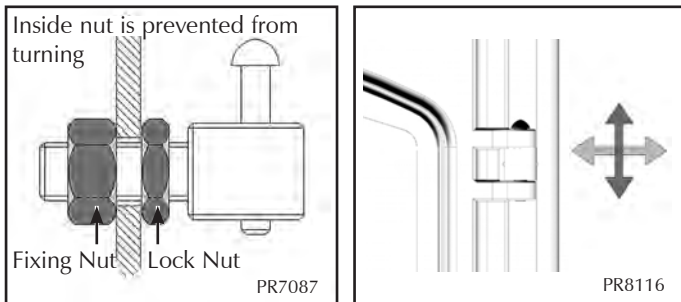
8.2 Using the appliance with a damaged door seal can cause dangerous fumes to enter the room, or the appliance to over fire, resulting in damage.

## 9. ADJUSTING DOOR HINGES

9.1 To maintain the safe use of your appliance, you may need to adjust the door hinges to ensure the door closes safely and correctly.

9.2 To complete this operation:

- Open the door to give access to the fixed part of the door hinge as shown



- Use a 19mm A/F spanner to loosen the fixing nuts
- Reposition the hinge blocks to achieve a correct fit  
This may require several adjustments to find the correct position.

# BASIC SPARE PARTS LIST

## RIVA PLUS SMALL

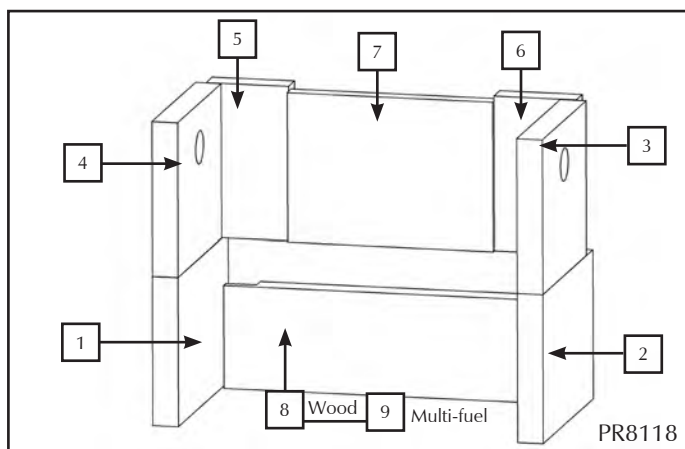


Diagram No	Part No.	Description
1	RVPX-CE 7213	Side bottom LH/RH
2	RVPX-CE 7213	Side bottom LH/RH
3	RVPX-CE 7206	Side Top LH/RH
4	RVPX-CE 7206	Side Top LH/RH
5	RVPX-CE 7397	Top Rear LH/RH
6	RVPX-CE 7397	Top Rear LH/RH
7	RVPX-CE 7396	Top Rear Middle
8	RVPX-CE 7210	Bottom Rear (Wood)
9	RVPX-CE 7262	Bottom Rear (Multi-fuel)

## RIVA PLUS LARGE

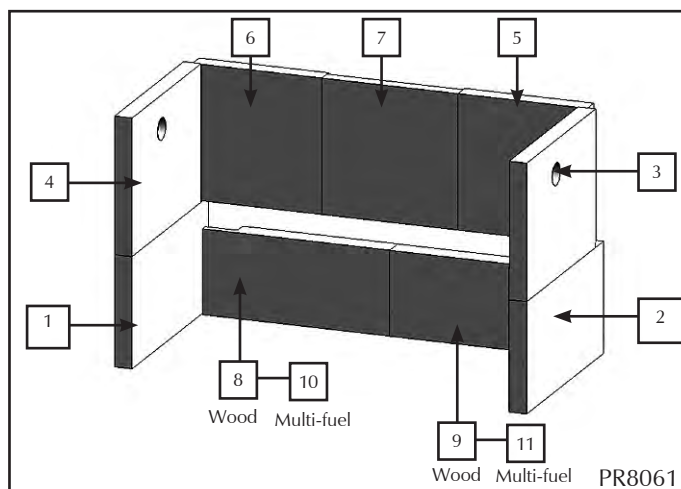
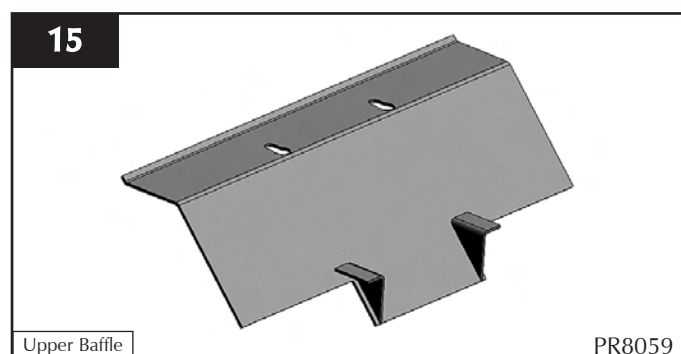
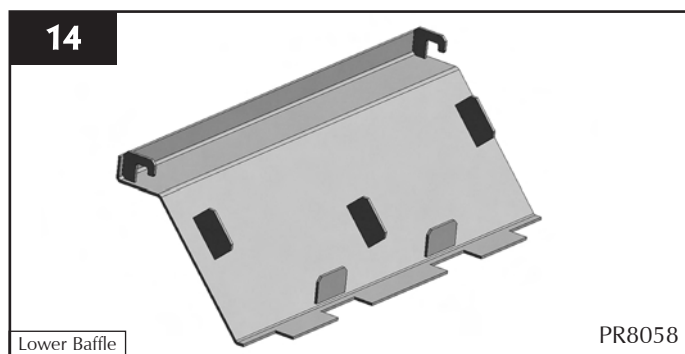


Diagram No	Part No.	Description
1	RVPX-CE 7168	Side bottom LH/RH
2	RVPX-CE 7168	Side bottom LH/RH
3	RVPX-CE 7204	Top Side LH/RH
4	RVPX-CE 7204	Top Side LH/RH
5	RVPX-CE 7398	Top Rear LH/RH
6	RVPX-CE 7398	Top Rear LH/RH
7	RVPX-CE 7399	Top Rear Middle
8	RVPX-CE 7169	Bottom Rear LH/RH (Wood)
9	RVPX-CE 7169	Bottom Rear LH/RH (Wood)
10	RVPX-CE 7263	Bottom Rear LH/RH (Multi-fuel)
11	RVPX-CE 7263	Bottom Rear LH/RH (Multi-fuel)



Appliance	Part No.	Description
Riva Plus Small	MEC8185	Top Baffle
	MEC 8117	Lower Baffle
Riva Plus Large	MEC 8116	Top Baffle
	MEC 8119	Lower Baffle

# SERVICE RECORDS

## 1ST SERVICE

Date of Service:.....

Next Service Due:.....

Signed:.....

Dealer's Stamp/HETAS Registration Number

## 3RD SERVICE

Date of Service:.....

Next Service Due:.....

...

Signed:.....

Dealer's Stamp/HETAS Registration Number

## 5TH SERVICE

Date of Service:.....

Next Service Due:.....

Signed:.....

Dealer's Stamp/HETAS Registration Number

## 7TH SERVICE

Date of Service:.....

Next Service Due:.....

Signed:.....

Dealer's Stamp/HETAS Registration Number

## 9TH SERVICE

Date of Service:.....

Next Due:.....

Signed:.....

Dealer's Stamp/HETAS Registration Number

## 2ND SERVICE

Date of Service:.....

Next Service Due:.....

Signed:.....

Dealer's Stamp/HETAS Registration Number

## 4TH SERVICE

Date of Service:.....

Next Service Due:.....

Signed:.....

Dealer's Stamp/HETAS Registration Number

## 6TH SERVICE

Date of Service:.....

Next Service Due:.....

Signed:.....

Dealer's Stamp/HETAS Registration Number

## 8TH SERVICE

Date of Service:.....

Next Due:.....

Signed:.....

Dealer's Stamp/HETAS Registration Number

## 10TH SERVICE

Date of Service:.....

Next Service Due:.....

Signed:.....

Dealer's Stamp/HETAS Registration Number

# EC Declaration of Conformity



The undersigned, representing the following :

Manufacturer
<b>Stovax Ltd</b>
Falcon Road, Sowton Industrial Estate Exeter EX2 7LF

Herewith declare that the products :

Description	Product code
Small Riva Plus	RVP-SMM / RVP-SMW
Large Riva Plus	RVP-LMM / RVP-LMW

Description of product : Riva Plus domestic wood and multifuel heating stove product range  
Steel fabricated stove body fitted with cast iron door sets, various decorative trim and firegrate options. Supplied in various sizes to give a range of heat output options.

are in conformity with the provisions of the following EC Directive(s) when installed in accordance with the installation instructions in the product documentation :

98/106/EEC Construction Products Directive

and the standards referenced below have been applied :

EN 13240 : 2001 Roomheaters fired by solid fuel – Requirements and test methods

Product : Roomheater fired by solid fuel as covered under the scope of the standards listed. Intended use : Space heating in residential buildings.		
Characteristic	Performance	Report
Fire safety	Satisfies	
Emission of combustion products	Small Riva Plus (RVP-SMM / RVP-SMW) CO @ 13% O <sub>2</sub> Wood 0.15% - Briquetted fuel 0.19% Large Riva Plus (RVP-LAM / RVP-LAW) CO @ 13% O <sub>2</sub> Wood 0.30% - Briquetted fuel 0.25%	
Release of dangerous substance	None	
Surface temperature	Satisfies	
Mechanical resistance (to carry a chimney/flue)	Maximum weight to be supported 25Kg	
Thermal output / Efficiency	Small Riva Plus (RVP-SMM / RVP-SMW) Wood 5.0Kw @ 77% - Briquetted fuel 5.0Kw @ 79% Large Riva Plus (RVP-LAM / RVP-LAW) Wood 11.0Kw @ 78% - Briquetted fuel 11.0Kw @ 70%	

Test laboratory : 0558

Name : D. J. Saunders

Position : Design Engineer

Signature :

Date : 02 / 06 / 2008

Sheet 1 of 1

# STOVAX

Stovax Ltd, Falcon Road, Sowton Industrial Estate, Exeter, Devon, England EX2 7LF

Tel: (01392) 474011 Fax: (01392) 219932 E-mail: [info@stovax.com](mailto:info@stovax.com) [www.stovax.com](http://www.stovax.com)



## Free Manuals Download Website

<http://myh66.com>

<http://usermanuals.us>

<http://www.somanuals.com>

<http://www.4manuals.cc>

<http://www.manual-lib.com>

<http://www.404manual.com>

<http://www.luxmanual.com>

<http://aubethermostatmanual.com>

Golf course search by state

<http://golfingnear.com>

Email search by domain

<http://emailbydomain.com>

Auto manuals search

<http://auto.somanuals.com>

TV manuals search

<http://tv.somanuals.com>