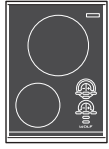
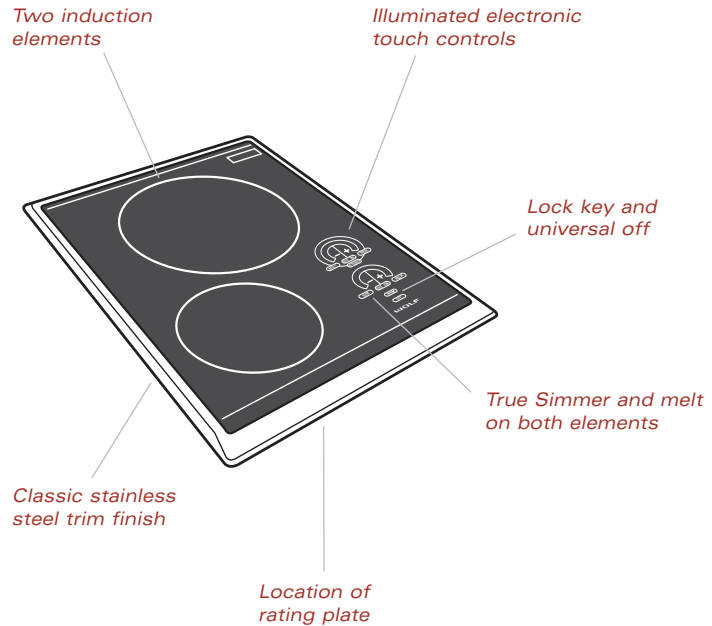


Integrated Induction Cooktop

MODEL CT15I/S



Model CT15I/S
Classic Stainless Steel



► The Wolf Model CT15I/S 15" (381) integrated induction cooktop is available with classic stainless steel trim finish.

While induction cooking is new to North America, it has been used in Europe for decades by professionals and homeowners demanding the best in performance.

Cooking with this sleek 15-inch powerhouse is simply the best way to cook. Electricity flows through a coil to produce a magnetic field under the sleek black ceramic top. When an iron or magnetic stainless steel pan is placed on the surface, the magnetic field creates a current in the pan, exciting the molecules and heating the pan and not the cooktop. That's why the cooktop stays cool to the touch and the food cooks efficiently.

In fact this unit is so efficient that it outperforms gas and electric cooktops. There is no wasted heat because energy is supplied directly to the cooking vessel so nearly 90 percent of the energy gets used to cook.

You can keep sauces and chocolates melted at 50 watts of power, or with the touch of a finger, activate the Hi-Power boost feature and boil water in half the time you normally do.

The Wolf induction cooktop has it all.

Dimensions in parentheses are in millimeters unless otherwise specified.

7/06

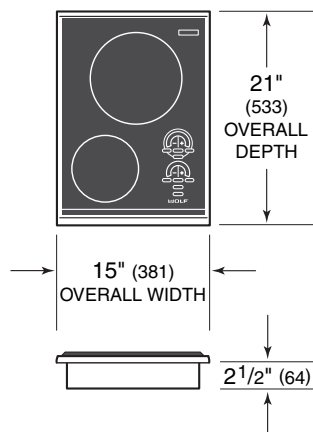
Integrated Induction Cooktop

MODEL CT15I/S

FEATURES

- ▶ Integrated design allows for installation of multiple cooktops or modules
- ▶ Classic stainless steel trim finish
- ▶ Easy-to-clean black ceramic glass surface is resistant to scratching, staining, impact and heat
- ▶ Induction elements heat cookware, not the glass, for a cooler, safer cooking surface
- ▶ Cookware sensing—elements will not be energized without an iron or magnetic stainless steel pan on the cooktop surface
- ▶ Illuminated electronic touch controls with graduated control lighting
- ▶ High-efficiency elements deliver power and control
- ▶ Hi-Power mode boosts power on rear element to 2200 W maximum power output by diverting power from front element
- ▶ Simultaneous operation of both elements at 1800 W power output each
- ▶ True Simmer setting on both elements
- ▶ Melt setting on both elements
- ▶ Temperature limiter to ensure that safe operating temperature of ceramic glass is never exceeded
- ▶ Child safety lock key and universal off
- ▶ CSA certified for US and Canada
- ▶ Two and five year residential warranty – exclusions apply; warranty information can be found on our website, wolfappliance.com

OVERALL DIMENSIONS ▼

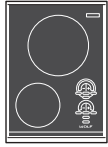


Dimensions may vary by $\pm 1/8$ " (3).

Dimensions in parentheses are in millimeters unless otherwise specified.

Integrated Induction Cooktop

MODEL CT15I/S



Model CT15I/S
Classic Stainless Steel

MODEL OPTION

Classic Stainless Trim CT15I/S

VENTILATION OPTIONS

- ▶ 30" (762) Cooktop or Pro wall hood or liner
- ▶ 30" (762) or 45" (1143) downdraft ventilation system
- ▶ 36" (914) Cooktop or Pro island hood

For additional information, refer to the Wolf Cooktop Ventilation or Pro Ventilation sections of our website, wolfappliance.com.

ACCESSORIES

- ▶ Filler strip
- ▶ Bracket supports for installation of two integrated modules with downdraft (Model DD30 only)

Accessories are available through your Wolf dealer. To obtain local dealer information, visit the Locator section of our website, wolfappliance.com.

SPECIFICATIONS

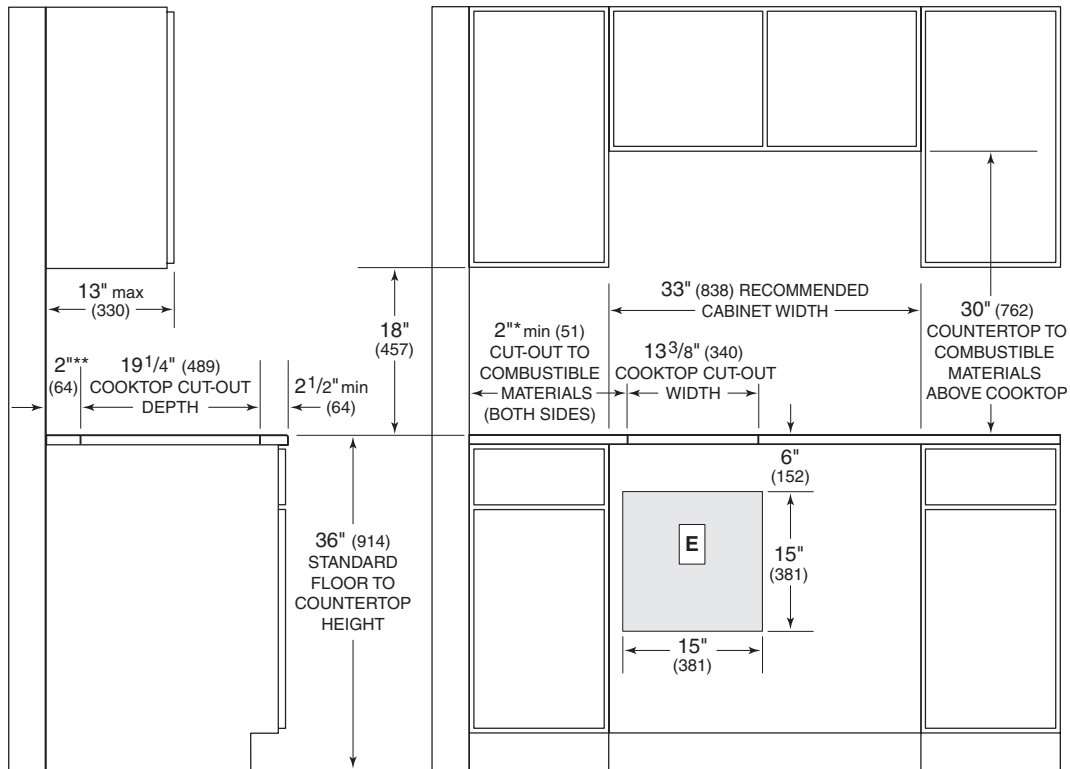
Overall Cooktop Width	15" (381)
Overall Cooktop Height	2 ¹ / ₂ " (64)
Overall Cooktop Depth	21" (533)
Cooktop Cut-Out Width	13 ³ / ₈ " (340)
Cooktop Cut-Out Depth	19 ¹ / ₄ " (489)
Minimum Cabinet Depth	22 ³ / ₄ " (578)
Minimum Height Clearance	6" (152)
Element Maximum Power	(front) 1800 W (rear) 2200 W
Electrical Supply Requirements	240/208 V AC, 60 Hz 20 amp dedicated circuit
Conduit	4 ft (1.2 m) flexible 3-wire
Electrical Rating	3.4 kW at 240 V 2.6 kW at 208 V
Shipping Weight	30 lbs (14 kg)
Special Note	Cooktop can be installed in combination with other cooktops or modules

Specifications are subject to change without notice.

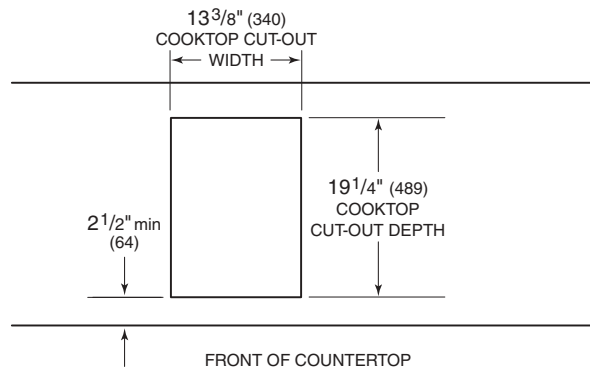
Integrated Induction Cooktop

MODEL CT15I/S

INSTALLATION SPECIFICATIONS



NOTE: Application shown allows for installation of two 15" (381) modules side-by-side with 33" (838) recommended cabinet width. 18" (457) recommended cabinet width for installation of single 15" (381) cooktop or module. *Minimum clearance from both side edges of cooktop cut-out to combustible materials up to 18" (457) above countertop. **Minimum clearance from rear edge of cooktop cut-out to combustible materials up to 18" (457) above countertop.



DIMENSIONS

Cooktop Cut-Out Width	13 ³ / ₈ " (340)
Cooktop Cut-Out Depth	19 ¹ / ₄ " (489)
Minimum Height Clearance	6" (152)
Minimum Cabinet Depth	22 ³ / ₄ " (578)
Location of Electrical	Within shaded area

See Installation Instructions shipped with unit for detailed specifications.

Dimensions in parentheses are in millimeters unless otherwise specified.

Integrated Induction Cooktop

MODEL CT15I/S

INSTALLATION NOTES

▶ Refer to the illustrations and specifications for overall dimensions, cut-out dimensions and installation specifics.

▶ Wolf recommends using 33" (838) wide cabinets for installation of two 15" (381) modules side by side. An 18" (457) wide cabinet is recommended for installation of a single 15" (381) cooktop or module.

IMPORTANT NOTE: Review specific installation instructions for product to product capabilities

▶ If the 15" (381) integrated induction cooktop is to be used with any combination of additional cooktop units or modules with a filler strip, the cut-out width increases to 14" (356). When multiple cooktops or modules are installed side by side, refer to the countertop cut-out dimensions on page 6.

IMPORTANT NOTE: A minimum height clearance of 6" (152) is required. If a shelf is installed below the unit, a 1" (25) gap at the rear of the cabinet shelf is necessary to allow for proper ventilation. Failure to do so could result in decreased performance or product damage.

▶ A Wolf downdraft system, Cooktop or Pro ventilation hood is recommended. When installing a ventilation hood, refer to the specific requirements of the hood for the minimum dimension to countertop. Also refer to Ventilation Recommendations in the Cooktop Ventilation or Pro Ventilation sections of our website, wolfappliance.com.

▶ The Wolf 15" (381) integrated induction cooktop requires a separate, grounded 3-wire 240/208 V AC, 60 Hz, 20 amp service with its own circuit breaker. It has a 4' (1.2 m) flexible 3-wire conduit for connection at the electrical supply. Locate electrical within the shaded area shown in the Installation illustration on page 4.

▶ You must follow all National Electrical Code regulations. In addition, be aware of local codes and ordinances when installing your service.

▶ Refer to the installation instructions shipped with each Wolf product for detailed specifications.

⚠ WARNING

This cooktop is intended for indoor use only.

Integrated Induction Cooktop

MODEL CT151/S

INTEGRATED MODULES— MULTIPLE UNIT INSTALLATION

With Wolf's integrated modules, you have the ultimate in customization. You can create your own design by mixing and matching the various components within this system. And when you couple these modules with other cooktops within the Wolf inventory you and your client will truly understand freedom of choice.

Some Wolf integrated modules can be installed together or with a 30" (762) or 36" (914) cooktop. When multiple units are installed side by side, the cut-out dimensions that are shown in the illustration are derived by adding 1 1/4" (32) additional space for each additional unit, to give you your total cut-out width. Refer to the illustration below for countertop cut-out dimensions for installation of multiple cooktops.

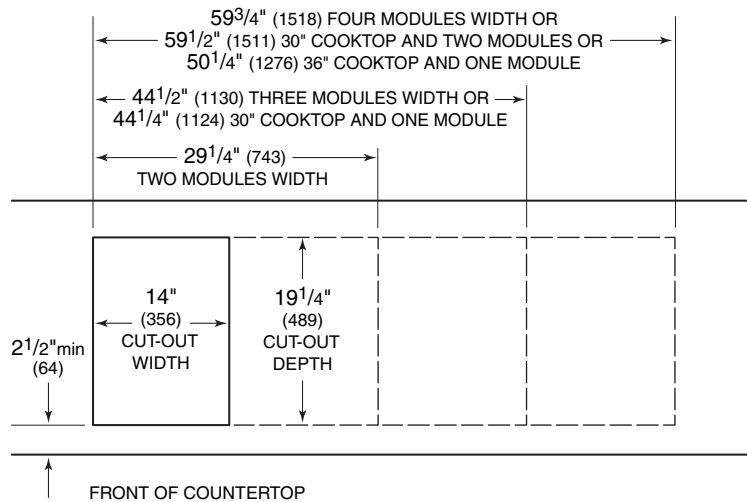
IMPORTANT NOTE: Refer to the pages for each specific integrated module for installation limitations.

IMPORTANT NOTE: Where multiple cooktops and/or modules are installed side by side, each unit must have its own separate recommended electrical circuit. When multiple gas cooktops and/or modules are installed next to one another, they can receive their gas supply from a common line. However, each unit **must** have its own regulator installed between the mainline and the cooktop or module.

When two or more cooktops or modules are installed together, an integrated module filler strip is recommended. Contact your Wolf dealer for information on this accessory component.

For electrical requirements, additional specifications and installation limitations, refer to the Installation Notes on page 5.

IMPORTANT NOTE: Review specific installation instructions for product to product capabilities.



Countertop cut-out dimensions for installation of multiple cooktop units.

Dimensions in parentheses are in millimeters unless otherwise specified.

Free Manuals Download Website

<http://myh66.com>

<http://usermanuals.us>

<http://www.somanuals.com>

<http://www.4manuals.cc>

<http://www.manual-lib.com>

<http://www.404manual.com>

<http://www.luxmanual.com>

<http://aubethermostatmanual.com>

Golf course search by state

<http://golfingnear.com>

Email search by domain

<http://emailbydomain.com>

Auto manuals search

<http://auto.somanuals.com>

TV manuals search

<http://tv.somanuals.com>