

**SV Sound**

# **OWNERS' GUIDE**

**SVS PB10-NSD Powered Box —  
NSD 10" Woofer**



## Contents:

- Chapter 2 Safety instructions
- Chapter 3 SVS Welcome
- Chapter 4 About your SVS subwoofer
- Chapter 5 General subwoofer features
- Chapter 6 Setup, integration, and calibration
- Chapter 7 Subwoofer specifications
- Chapter 8 Terms and Conditions

Last update: 27 April, 2008

## IMPORTANT SAFETY INSTRUCTIONS

1. Read these instructions.
2. Keep these instructions.
3. Heed all warnings.
4. Follow all instructions.
5. Do not use this apparatus near water.
6. Clean only with dry cloth.
7. Do not block any ventilation openings. Install in accordance with the manufacturer's instructions.
8. Do not install near any heat sources such as radiators, heat registers, stoves, or other apparatus (including amplifiers) that produce heat.
9. Do not defeat the safety purpose of any polarized or grounding-type plug. A polarized plug has two blades with one wider than the other. A grounding type plug has two prongs and a third grounding point. The wide blade or the third prong are provided for your safety. If the provided plug does not fit into your outlet, consult an electrician for replacement of the obsolete outlet.
10. Protect the power cord from being walked on or pinched particularly at plugs, convenience receptacles, and the point where they exit from the apparatus.
11. Only use attachments/accessories specified by the manufacturer.

Use only with the cart, stand, tripod, bracket, or table specified by the manufacturer, or sold with the apparatus. When a cart is used use caution when moving the cart/apparatus combination to avoid injury from tip-over.



13. Unplug this apparatus during lightning storms or when unused for long periods of time.
14. Refer all servicing to qualified service personnel. Servicing is required when the apparatus has been damaged in any way, such as power-supply cord or plug is damaged, liquid has been spilled or objects have fallen into the apparatus, the apparatus has been exposed to rain or moisture, does not operate normally, or has been dropped.
15. **WARNING:** To reduce the risk of fire or electric shock, this apparatus should not be exposed to rain or moisture and objects filled with liquids, such as vases, should not be placed on this apparatus.
16. To completely disconnect this equipment from the mains, disconnect the power supply cord plug from the receptacle.
17. The mains plug of the power supply cord shall remain readily operable.



The lightning flash with arrowhead symbol within an equilateral triangle, is intended to alert the user to the presence of un-insulated "dangerous voltage " within the product's enclosure that may be of sufficient magnitude to constitute a risk of electric shock to persons.



The exclamation point within an equilateral triangle is intended to alert the user to the presence of important operating and maintenance (servicing) instructions in the literature accompanying the product.

## Welcome!

---



At SVS, you can actually *hear* the tireless research and design efforts built in to our subwoofers and speakers. Years are spent developing any SVS product — with work typically spanning from our Ohio headquarters... to US west coast technology centers... and over to the finest component suppliers in Asia, USA and Europe as well. Nothing in our lineup is an “off the shelf” product. SVS is committed to making better sound systems with elegant looks, robust construction and world-class technology and materials. We believe you deserve nothing less.

This manual and the printed “Quick Start” sheet will help you integrate speakers and subwoofer quickly and with professional results.

Armed with only a few basic tools, such a sound pressure level (SPL) meter, and the test tones built in to most audio/video receivers (AVR), you will achieve smooth, detailed and powerful reproduction of all your favorite music and movie audio. Expect to hear things you never heard before... and expect *not* to hear some of the artifacts you might have accepted in the past with inferior brands.

**Have a question about your surround sound system?** For more information about SVS products check out our US website, or the exclusive dealer for your region, contact us via phone or e-mail should you have questions regarding our products.

SVS was founded by audio enthusiasts — our commitment to service is the only thing that rivals the products we create. Our resellers around the world feel the same way.

**The SVS Team, Ohio, USA**  
**September, 2008**  
[www.svsound.com](http://www.svsound.com)

**SVS**  
The Sound Authority

## About your SVS Subwoofer

**There maybe be other subwoofers that look like them,** but virtually none **work** like them. SVS subwoofers are decidedly different in how they are designed, produced, sold, and the exceptionally high quality components we use. You could have spent much more on other brands and *still* not come close to the performance our products provide. What makes a subwoofer an SVS?

**Quality components, sane prices.** You might be surprised at how inexpensive the components in some *not-so-inexpensive* subwoofers are. At SVS, performance is king... not cutting a few dollars from our "cost to build".

**Innovative designs, rich materials.** We test all our materials, and features in the real world, and test size and shape, before any design is deemed ready. Cabinet construction must ensure rigid and durable products. All our subwoofers offer computer controlled panel cutting, steel fasteners, and recessed components. Tap the side of your sub, look at the solid construction or remove your grill, and you'll know what we mean.

**Sealed, or vented, down-firing or front-firing cabinets.** An SVS tradition is to offer a variety of "form factors" which provide exceptional performance yet also a compact "foot print" which complements your room style.

**Features and controls.** Variable phase, crossovers which can be defeated, and on select models, variable tuning, equalizers or other advanced controls are built in to allow customers to make their SVS fit their needs. Spend time exploring this guide and contact your dealer if you require assistance on any feature.

**World class power.** Our advanced amplifiers are designed and manufactured with a level of fit and finish, and genuine power which is rare at our competitive prices. Loaded with comprehensive of easy to use controls, and our tremendously efficient Ohio-built woofers, all our subs achieve exceptional depth, tremendous power and flat, natural sound. Hear *everything* on your music CD's and DVD's with SVS products.

**Powered Box Basic Common Features.** SVS subwoofer amps use the most durable and accurate designs possible. Get familiar with yours!

**Volume/Gain** Use “gain” (in conjunction with your Audio Video Receiver (AVR) subwoofer output level control) to achieve bass level calibration to your liking. Start your setup with the sub’s volume/gain no more than 1/4 to 1/3 of the way up (turned clockwise from the left).

**Phase.** Think of long bass waves as conflicting or enhancing each other, depending on the timing of their arrival at your listening location (either together, or not). Set phase to zero if your AVR offers settings for the distance from your seat to your subwoofer. Adjust in small steps for smooth sound with music playing if your AVR lacks a subwoofer distance setting.

**Line In/Out.** Use the sub’s “Line In” jack (RCA) to connect the subwoofer to the output jack of your AVR. A simple RCA signal cable is all you need for either type configuration.

**Auto-On.** Your Powered Box allows itself to be in an “Auto-On” mode... or “On” all the time. With the former setting (the switch in the “Auto” position) your subwoofer will “sense” that a DVD or CD etc. has begun and switch its audio circuits on immediately (the “hard” power switch mentioned below must be set to “on”, naturally). A few minutes after a movie, the Auto-On light will turn from Green to Red, switching portions of the sub’s power supply back off.

Sometimes, with very low listening levels, your subwoofer might not get enough of a bass signal from your AVR to “trip” the Auto-On circuit. Should you ever find this to be the case you may leave this switch to “On”, or turn up the AVR’s subwoofer level some (be sure to recalibrate channels levels with your sound meter afterwards).

**Power.** This heavy-duty two-position switch next to the power cord will completely cut the power to your sub amp. Flip this switch to off before you ever move the sub or change inputs or outputs. Do not plug this sub into receiver convenience power outlets. Allow five minutes of “off” time before switching back “on”.

**Fuse.** User replaceable, contact your dealer if you have trouble finding one. The fuse can be accessed by a small door immediately next to the power cord fitting (where you should also find a spare one for your use).

## Setup, calibrating and integration

**What's to know?** Setup is easy! However, there are key steps which must be done carefully and correctly, read on:

**Unpacking.** Take a few moments to carefully unpack everything. Save the box and shipping materials, just in case you need to return the sub for any reason.

**Location.** Where you put a sub is important to how it will sound. Use a corner if you can, and avoid putting your sub where it might adjoin large open areas. Studies have shown that the deepest and flattest bass response is typically attained when a subwoofer is placed within a few feet of one of your room's corners (leave about 3" in the back for cable clearance with any wall or other surface). Whether you put the sub in front or to the rear of your room makes surprisingly little difference.

**Hook-up** (see Fig. 1). There are a variety of ways to configure your new sub. Usually, a simple mono, shielded 75 Ohm A/V RCA type cable (a.) is used to take the subwoofer output of your AVR (b.) and feed the low-level input of the sub's amp (c.).

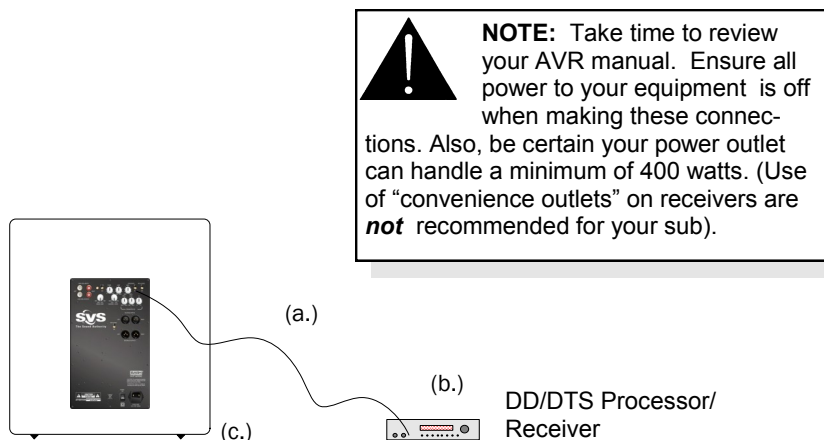


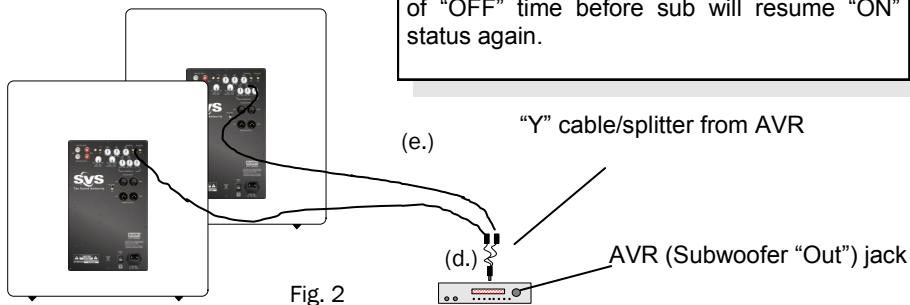
Fig. 1

## More Setup, calibrating and integration

If you are running a pair of SVS subwoofers (Fig. 2), you will need to use an inexpensive “Y” cable adapter (d.) From the “Y” cable you can run a standard 75 Ohm RCA signal cable (e.) to each sub, thus “splitting” the Low Frequency Effects (LFE) and other bass from your receiver, and effectively feeding both subwoofers with the same signal (when phase is properly adjusted, achieving a significant 6dB of added “headroom” versus only one sub).



**NOTES:** Determine if you want “ON” (always on) or “AUTO ON” which turns your sub on only when a bass signal is present. High power amp designs can require **five minutes** of “OFF” time before sub will resume “ON” status again.



“**Calibration**” isn’t only for technically minded sound enthusiasts. It is’s **critical** to a proper configuration of your home audio system. Fortunately, adjusting channel balance (essentially all “calibration” amounts to) is simple to do.

The first requirement is to ensure your AVR is ready. Thus we recommend you consult your AVR manual to review the choices you have regarding setup. Generally, this requires your receiver’s test tones play back at the same volume from each of your system’s speakers. Of course this can include speakers at left, center, right, left surround and right surround plus the subwoofer itself.

### Some things to check as you get ready to calibrate:

- **Are your speakers set correct to the correct “size”?** Your AVR should allow you to your speakers be set to “Small” or “Large”. Selecting the size accordingly will ensure bass goes to most appropriate speakers, and use the subwoofer correctly too. “Small” is nearly always the best configuration with a good subwoofer and all but the largest speakers.



- Also, is your subwoofer turned “ON”? We don’t mean “is your subwoofer **amplifier** on?” but rather, **is your AVR sending a bass signal to your sub amp?** This can only happen if you say “Yes” (or “ON”) in the “Subwoofer” selection during the setup of your AVR’s setup menu.
- **Is your receiver connected to the sub amp?** Use a well-shielded “RCA” cable (sometimes called a “patch cord”) to connect the subwoofer output of your AVR to the RCA input on the subwoofer’s amp. Again, you’ll need to “split” the bass signal with a “Y Cable” if you have a pair of subs.
- **Is your Radio Shack® sound pressure level (SPL) meter ready?** This tool is absolutely essential to proper home audio setup. It’s akin to a tire pressure gauge for your car. Set the meter to “Slow” and “C-weighting” (and turn the dial to 70dB. If using Avia for calibration tones, set your meter to 80dB instead.)



**Getting ready to start now:** Make sure your receiver or processor’s master volume is set to “00 dB” **or some other easy to remember “reference level”**. Then, ensure your sub’s volume/gain control is set no more than 1/4 to 1/3rd up, for now, leaving plenty of adjustment “up”.

It’s also critical to check the subwoofer output level control of your AVR before you begin the test tones. Set the AVR’s subwoofer output to about 1/3rd up too. Turn off any sound-field processing schemes, “Mid-night Mode”, “DRC” (dynamic range control), “Movie Mode” etc. If it is an option in your system, route your LFE to the “subwoofer only”, not “mains + sub”.

**Now play your AVR’s internal test noise “tones” so you have something to measure with your SPL meter.** When the tones start alternating from speaker to speaker (watch your sound meter now), set each speaker’s volume to about 75 dB by using the receiver’s dedicated **channel level controls** (leaving your AVR’s master volume the same).

We recommend you turn down the AVR’s subwoofer channel output level before you significantly lower your subwoofer’s gain control. This helps keep distortion sent **to** your SVS to a minimum. **Note:** You should **not** set the AVR’s subwoofer level control much lower than the first 1/4th of the receiver’s control range. Some downward adjustment may be needed to fine tune levels later. If your subwoofer’s SPL meter reading is still too high, then turn down the sub’s amp volume a little with each run of the test noise signal, as it cycles from speaker to speaker and the subwoofer.

**But what's "too high"??** Tastes vary, and do movie soundtracks, but your SVS subwoofer is capable of tremendous levels of low distortion, low frequency bass — far more than most subs in this size or price class. Take advantage of this, especially if you like action movies with lots of ".1" channel (LFE) bass action, and give the sub a bit extra gain during calibration. Keep in mind too that the human ear is relatively insensitive to low frequencies. This, coupled with the fact most folks don't watch movies at full "theater levels" means raising the bass up a few decibels (dBs) usually yields a more satisfying movie and music experience.

**What bass levels do we recommend?** If you watch movies at moderate sound levels, a good start is a range of +1dB to +3dB above your other channels (as measured with your sound meter). This means the test tone will waiver about 78 dB for the subwoofer portion of the calibration run using your receiver test tones.

Note too that many modern A/V receivers allow a variety of subwoofer level settings, depending on the "listening mode" you are in. With "Dolby Digital" as your "mode" use the above calibration routine. You may well find that CD "Stereo" music calls for a lower bass settings. The above is a guide... experiment! The louder your master AVR volume however, the more you should reduce the subwoofer's playback level to compensate. You should always avoid your driver "bottoming", resulting in a loud "clack"!

**Location and measurement.** You should take the above measurements from your typical preferred seat for watching movies. Be advised, strong bass levels can vary tremendously simply by moving your seat, or your subwoofer, just a short distance. Such is the nature of long wavelength, deep bass sound. Do not hesitate to try different locations and different levels for your subwoofer.

Setting playback levels on the sub which are too high (and often, too low) is the most common theater/music setup error.

## Specifications

<b>Model Name:</b>	<b>PB10-NSD</b>
<b>Configuration:</b>	Powered Box, front-firing 10" woofer
<b>Design:</b>	Vented
<b>Dimensions:</b>	19" High x 15" Wide x 21" Deep
	H x W x D 48 cm H. x 38 cm W. x 53 cm D.
<b>Weight:</b>	60 lbs (27 kg)
<b>Voltage (fixed):</b>	110~120V/60hz (US/Canada/South America)
	220~240V/50hz (Europe, Russia, other)
<b>Driver:</b>	10" SVS designed/built "NSD" woofer with high - excursion synthetic surround, polypropylene cone with cast basket, high-temp US voice coil and integral cooling vents
<b>Frequency Response:</b>	20Hz - 150Hz ± 3dB (typical in-room response (quasi-anechoic) 3-5Hz deeper) .
<b>Inputs/Outputs:</b>	RCA
<b>Controls:</b>	Gain, continuously variable phase, auto on, replaceable fuse.
<b>Power Handling:</b>	325 watt RMS
<b>Crossover:</b>	Not applicable (N/A)
<b>Enclosure Material:</b>	.75" - 1" Medium Density Fiber-board (MDF) with internal CNC'd bracing, and charcoal black finish

## Terms and Conditions

**Terms and Conditions:** Details are available on request, please contact your Dealer for more. Note that these terms and conditions do not affect your statutory rights.

**Shipping:** When you receive your new subwoofer, please check to ensure there is no damage. If after unpacking you discover any damage that may have been caused by transportation on your product, we request you contact SVS or if outside the USA your Dealer immediately and if possible, provide a photo of damage in question to them to ensure the fastest possible correction to the situation.

**Warranty:** The product has a 3 year warranty against defects in materials and workmanship. Upon return, the products will be repaired, and redelivered. Naturally, this warranty does not cover any product subjected to misuse or accidental damage.

**The bottom line:** We're proud of these subwoofers and want you to be as happy owning one, as we are selling one (or more) to you. E-mail your [Dealer](#) if you have any warranty question or contact [SVS directly if in North America](#).

### SV Sound

SV Sound International LLC  
6420 Belmont Ave.  
Liberty, Ohio 44420

Fax: 703-997-2603  
Phone: 703-845-1472  
Email: [custservice@svsound.com](mailto:custservice@svsound.com)



## Free Manuals Download Website

<http://myh66.com>

<http://usermanuals.us>

<http://www.somanuals.com>

<http://www.4manuals.cc>

<http://www.manual-lib.com>

<http://www.404manual.com>

<http://www.luxmanual.com>

<http://aubethermostatmanual.com>

Golf course search by state

<http://golfingnear.com>

Email search by domain

<http://emailbydomain.com>

Auto manuals search

<http://auto.somanuals.com>

TV manuals search

<http://tv.somanuals.com>