

**FEATURES**

- Upper cabinet freezer and two freezer drawers.
- Custom front panels and hardware allow for infinite design options.
- Point-of-use refrigeration that can be placed anywhere in the home.
- Self-contained compartments preserves food’s goodness.
- Redesigned sleek, minimalist interior is lit by LEDs to reduce heat.
- Interactive control panel with touch screen and precise temperature control.
- Advanced water filtration system.
- Automatic ice maker with max ice feature to increase ice production up to 30 percent.
- Dampened hinges.
- Smart Grid ready.
- ENERGY STAR® qualified.
- Star-K certified.



**MODEL OPTIONS**

<b>FREEZER</b>	
Model	IT-30FI

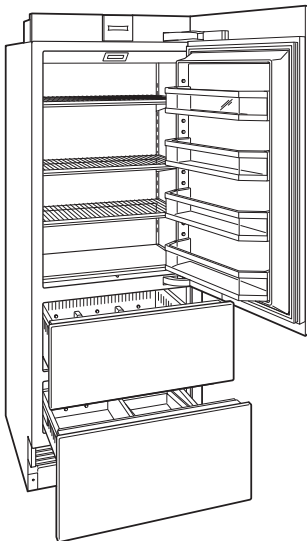
**INTERIOR FEATURES**

<b>FREEZER</b>
3 Adjustable wire shelves
4 Adjustable door shelves
3 Adjustable drawer dividers
Removable ice container

**ACCESSORIES**

- Stainless steel front panels with tubular or pro handles and 4" or 6" toe kick.
- Stainless steel tubular and pro handles.
- Dual installation kit.

Accessories available through an authorized Sub-Zero dealer. For local dealer information, visit the find a showroom section of our website, subzero.com.



SPECIFICATIONS	
<b>PRODUCT</b>	
Dimensions	30"W x 84"H x 24"D
Weight	400 lb
<b>CAPACITY</b>	
Freezer	15.1 cu ft
<b>ELECTRICAL</b>	
Supply	115 VAC, 60 Hz
Service	15 amp circuit
<b>PLUMBING</b>	
Supply	1/4" OD copper, braided stainless steel or PEX tubing
Pressure	35–120 psi

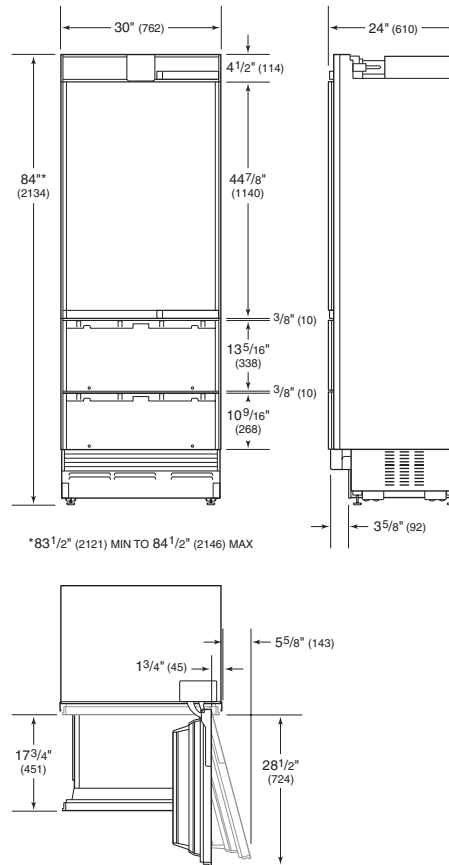
Overall dimensions do not include panels or handles. Dimensions will vary with panel thickness.

The depth of each integrated model is 24". Allow for panel thickness when planning the finished opening depth.

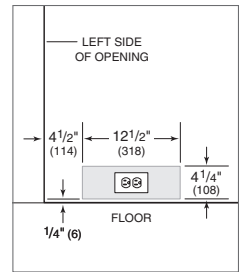
Specifications are subject to change without notice. Visit [subzero.com/specs](http://subzero.com/specs) for the most up-to-date information.

Dimensions may vary  $\pm 1/8"$  (3). Dimensions in parentheses are millimeters unless otherwise specified.

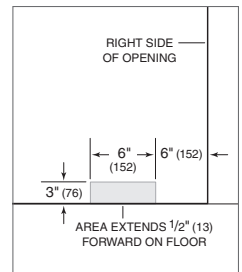
## DIMENSIONS



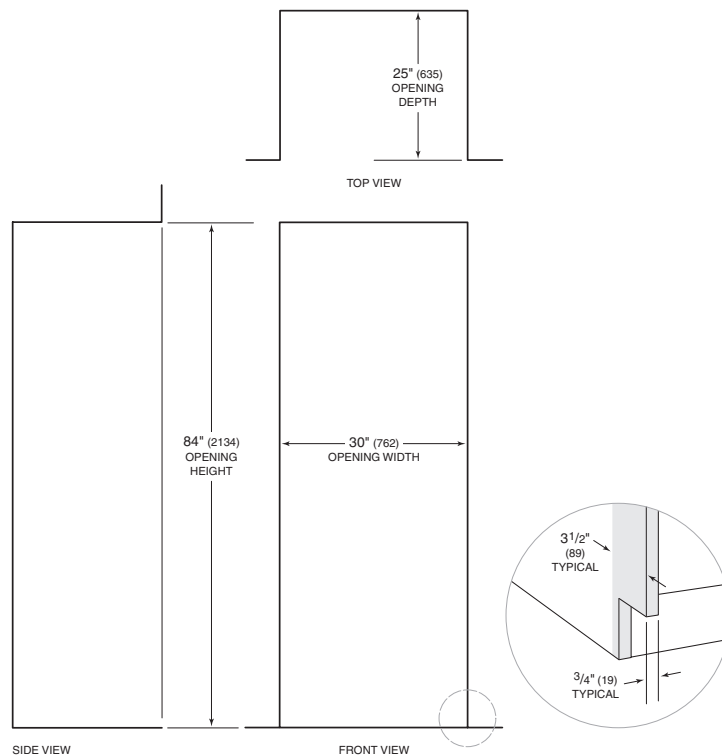
## ELECTRICAL



## PLUMBING



## INSTALLATION



NOTE: Shaded areas will be visible and should be finished to match cabinetry.

## Free Manuals Download Website

<http://myh66.com>

<http://usermanuals.us>

<http://www.somanuals.com>

<http://www.4manuals.cc>

<http://www.manual-lib.com>

<http://www.404manual.com>

<http://www.luxmanual.com>

<http://aubethermostatmanual.com>

Golf course search by state

<http://golfingnear.com>

Email search by domain

<http://emailbydomain.com>

Auto manuals search

<http://auto.somanuals.com>

TV manuals search

<http://tv.somanuals.com>