

# INTERNATIONAL DESIGN GUIDE





## CONTENTS

<b>Built-In Refrigeration</b>	<b>4</b>
<b>Integrated Refrigeration</b>	<b>27</b>
<b>Wine Storage</b>	<b>46</b>
<b>Undercounter Refrigeration</b>	<b>63</b>

*Features and specifications indicated herein and on our website are subject to change at any time without notice. Check our website, [subzero.com](http://subzero.com), for the most up-to-date specifications.*

## IMPORTANT NOTE

**International models from the factory designed without a transformer require a 220/240 V AC, 50/60 Hz electrical supply, fused at the correct rating for the unit. If required by local or national codes, the power cord can be easily replaced using the power inlet device.**

**International models using a factory installed transformer require a 220/240 V AC, 50/60 Hz electrical supply, fused at the correct rating for the unit. These models will come equipped with Schuko power cords. The power cord may need to be replaced depending on local and national codes. The USA power cord that is supplied with the product must be disconnected with the appropriate transformer output to be connected in its place.**

The information and images in this guide are the copyright property of Sub-Zero Freezer Company, Inc. Neither this book nor any information or images contained herein may be copied or used in whole or in part without the express written permission of Sub-Zero Freezer Company, Inc.

©Sub-Zero Freezer Company, Inc. all rights reserved.

## WELCOME TO SUB-ZERO

We make the ultimate built-in, integrated and undercounter refrigerators, freezers and wine storage units. We offer more solutions to your daily design problems of trying to work the largest appliance into a home without being obtrusive. Placing refrigeration in the home is no longer a problem, but, rather, an opportunity to exercise your creativity.

Sub-Zero has rethought traditional built-in refrigeration, a category it pioneered, with over 60 years of experience. When our complete line of configurations—all refrigerator and all freezer, over-and-under, or side-by-side—are coupled with overlay or stainless steel design alternatives, the result is unlimited flexibility in satisfying your client's needs for residential refrigeration.

Created to blend invisibly into your home's decor, the Integrated line lets you incorporate refrigeration anywhere in the house—the kitchen, master suite, media room or workout room. These tall units or two-drawer base refrigerators, freezers and combination units can be hidden inside the furniture or cabinetry of your choosing.

Sub-Zero is breaking with conventional ways of offering Wine Storage for designers and their clients. Our Built-In and Integrated models, along with the free-standing Model I424FS, offer unlimited design and storage capabilities.

Comprehensive installation instructions are shipped with each model. Refer to those instructions in preparing and installing all Sub-Zero products. These instructions along with product specifications and downloadable 2D and 3D CAD files, as well as pdf files can be found on our website, [subzero.com](http://subzero.com).

## CONTACT INFORMATION

Website:  
[subzero.com](http://subzero.com)

As you follow these instructions, you will notice warning and caution symbols. This blocked information is important for the safe and efficient installation of Sub-Zero equipment. There are two types of potential hazards that may occur during installation.

### ⚠ CAUTION

signals a situation where minor injury or product damage may occur if you do not follow instructions.

### ⚠ WARNING

states a hazard that may cause serious injury or death if precautions are not followed.

Another footnote we would like to identify is **IMPORTANT NOTE**: This highlights information that is especially relevant to a problem-free installation.



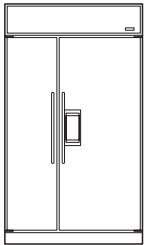
BUILT-IN

## BUILT-IN REFRIGERATION

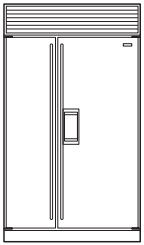
Sub-Zero's Built-In line offers you the most complete set of design options in built-in refrigeration for all of its models, from the beauty of the overlay models to the professional treatment of the wrapped stainless steel doors.

Glass doors are available on our Models I601R, I611 and I650. They each come in a framed, overlay and stainless steel design. Model ICB648PROG also features a glass door in its classic stainless steel look.

In the illustrations, we have shown the two different design configurations of the overlay and stainless steel units applied to Model I695. Please note how we qualify the different looks with the model number.



**Model I695/O**  
Overlay



**Model I695/S**  
Classic  
Stainless Steel

Overlay models will come with no handle hardware, because the beauty of this design is that you can match the surrounding cabinetry hardware; however, we do offer optional handles as sales accessories. The new ice and water dispensing Models I685 and I695 are able to accept overlay panels. Overlay models will come with a standard 279 mm panel grille that will accept decorative panel inserts. Models I601R, I601RG and I601F are only available with the louvered grille. No panel grille option is available.

All stainless steel models are offered in the classic stainless steel finish. Stainless steel models come with a standard 279 mm heavy-duty grille, 25 mm diameter stainless steel handles and a stainless steel kickplate.

All grilles will be offered as options in 25 mm increments from 254 mm to 381 mm and can be ordered as sales accessories. Models I601R, I601RG, I601F, ICB648PRO and ICB648PROG are the exception and are available only with a 279 mm grille.

An important step in assuring a successful plan is to make sure that the actual equipment shipped to your installation site matches the design you have ordered. Each of these design options has specific installation requirements, which means it is vital that the unit match your planning and space needs.



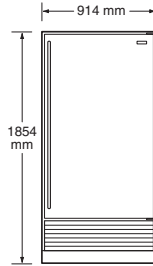
BUILT-IN

### BUILT-IN REFRIGERATION

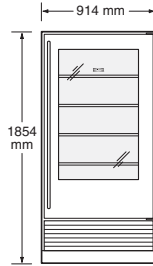
These illustrations represent the full line of Sub-Zero Built-In models shown in the stainless steel design application with heavy-duty grille. Models ICB648PRO and ICB648PROG are available as built-in or free-standing units in classic stainless steel only.

For information regarding specific Built-In models, refer to the illustrations in this section. Regardless of the specific design application, overlay or stainless steel, the interior specifications of each model are identical.

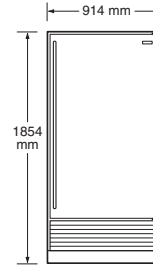
### ALL REFRIGERATOR | ALL FREEZER



**MODEL I601R**  
*All Refrigerator*

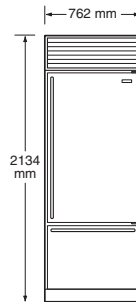


**MODEL I601RG**  
*All Refrigerator with Glass Door*

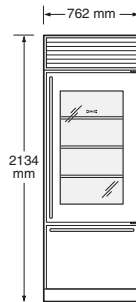


**MODEL I601F**  
*All Freezer*

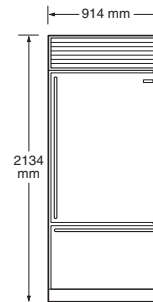
### OVER-AND-UNDER



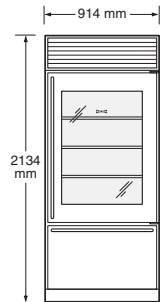
**MODEL I611**



**MODEL I611G**  
*with Glass Door*



**MODEL I650**

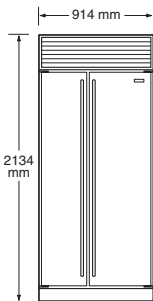


**MODEL I650G**  
*with Glass Door*

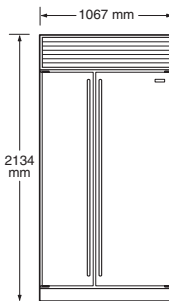


With the installation of a harness kit, these appliances are Star-K compliant to meet strict religious regulations in conjunction with specific instructions found on [www.star-k.org](http://www.star-k.org). Models ICB648PRO and ICB648PROG are Star-K certified from the factory with no extra wiring harness required. For details about the harness kit, contact your Sub-Zero dealer.

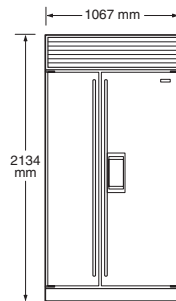
### SIDE-BY-SIDE



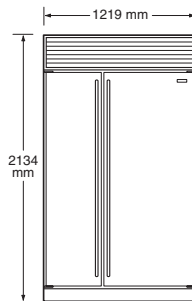
**MODEL I661**



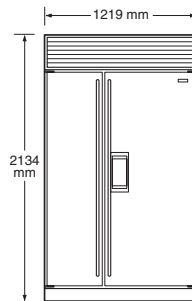
**MODEL I642**



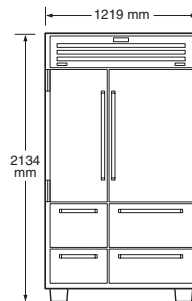
**MODEL I685**  
*Ice / Water Dispensing*



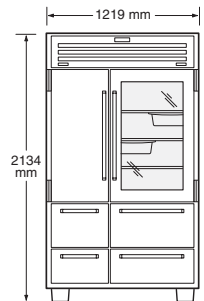
**MODEL I632**



**MODEL I695**  
*Ice / Water Dispensing*



**MODEL ICB648PRO**  
*Free-Standing or Built-In*



**MODEL ICB648PROG**  
*Free-Standing or Built-In*

Comprehensive installation instructions are shipped with each model. Refer to those instructions in preparing and installing all Sub-Zero products. The instructions can also be found on our website, [subzero.com](http://subzero.com).



BUILT-IN

## BUILT-IN FEATURES

**Overlay** models blend seamlessly into your overall room design and complement surrounding cabinetry. You add decorative hardware. Overlay models come with a panel grille that will accept decorative panel inserts. The new ice and water dispensing Models I685 and I695 are also available in the overlay application.

**Stainless steel** models feature wrapped doors, 25 mm diameter stainless steel handles and a heavy-duty grille designed specifically to enhance the aesthetics of today's professional looking kitchens. All Built-In stainless steel models are offered in the classic stainless steel finish.

**Dual Refrigeration System.** All Built-In combination models have the Sub-Zero dual refrigeration system, which ensures the freshest food and energy efficiency at the same time. You have precise independent control of the refrigerator and freezer compartments. In addition to two compressors, the PRO 48 has three separate evaporators to keep foods fresher longer and prevent odor transfer.

**Glass Door.** Model I601RG is an all refrigerator unit featuring a glass door. Models I611G and I650G are over-and-under combination units with a glass door on the refrigerator. These glass door models come in overlay and stainless steel designs. The side-by-side Model ICB648PROG features a glass door on the refrigerator side and comes in classic stainless steel only.

**Stainless Steel.** The PRO 48 (Models ICB648PRO and ICB648PROG) feature stainless steel construction inside and out with classic finish for professional strength and beauty.

**Ice and Water Dispensing.** Models I685 and I695 feature a dispenser that gives you both ice and chilled water through the refrigerator door.

**Built-In Design.** True cabinet depth design means every inch of the interior is easy to see and to reach. The PRO 48 can be built in or, with the free-standing accessory kit, used in a free-standing application.

**Fresh Food.** High-humidity crisper drawer with removable dividers is large and deep, with smooth sides for easy cleaning. The top refrigerated drawer on the PRO 48 features a tight-seal, retracting glass crisper lid that keeps produce exceptionally humid and fresh.

**Electronic Controls.** Up-front touch controls give you digital readings for quick, easy-to-read reference. The microprocessor provides supreme control, accurate to within one degree of preset temperatures, automatic defrosting that senses, then adapts to your use patterns, and a service indicator light. The PRO 48 also features exterior temperature displays.

**Advanced Lighting.** Bright lighting spreads even illumination throughout the compartment. The source of the illumination is concealed. The PRO 48 top LED lights bathe upper compartments in a soft glow. On the refrigerator side, channeled sidewall LEDs can even serve as a door-area night-light for Model ICB648PROG.

**Adjustable Shelves.** Cantilevered glass shelves make repositioning quick and easy. They are easy to clean, spill proof and steel reinforced for durability. The PRO 48 features glass shelves with stainless steel trim in the refrigerator and 100% stainless steel shelves in the freezer.

**Slide-Out Bins.** An exclusive PRO 48 feature—these versatile stainless steel bins hold small items, remove easily, and fit neatly under any shelf.

**Door Shelves.** All door shelves are adjustable for complete flexibility and convenience.

**Dairy Storage.** Dairy compartment is adjustable, with easy, one-door access, compartment dividers and a clean design. The dairy shelf is magnetically sealed to maintain freshness.

**Automatic Ice.** Ice maker provides high-quality, crescent-shaped ice that won't stick to the side of the glass.

**Energy Efficient.** Our solid core doors improve insulation and structural integrity. Magnetic gaskets around all doors give extra-tight seals.

**Kickplate.** Solid, adjustable kickplate gives a true built-in look and conforms to American Institute of Architects standards.

## ACCESSORIES

Optional accessories are available through your Sub-Zero dealer.



BUILT-IN

### MODEL I601R

ALL REFRIGERATOR

#### MODEL OPTIONS

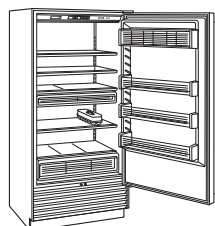
Overlay Design	<b>I601R/O</b>
Classic Stainless Steel	<b>I601R/S</b>

#### SPECIFICATIONS

Overall Width	<b>914 mm</b>
Overall Height	<b>1854 mm</b>
Overall Depth	<b>610 mm</b>
Refrigerator Capacity	<b>564 L</b>
Min Height Required	<b>1848 mm</b>
Door Swing Clearance	<b>916 mm</b>
Specify Door Swing	<b>LH or RH</b>
Shipping Wt (O)	<b>177 kg</b>
Shipping Wt (S)	<b>191 kg</b>

#### REFRIGERATOR FEATURES

- 4 Adjustable Glass Shelves
- 1 Stationary Glass Shelf
- High-Humidity Compartment with Dividers
- Adjustable Roll-Out Deli Basket
- 3 Adjustable Door Shelves
- Adjustable Dairy Compartment
- Egg Container



MODEL I601R

### MODEL I601RG

ALL REFRIGERATOR WITH GLASS DOOR

#### MODEL OPTIONS

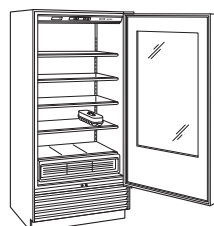
Overlay Design	<b>I601RG/O</b>
Classic Stainless Steel	<b>I601RG/S</b>

#### SPECIFICATIONS

Overall Width	<b>914 mm</b>
Overall Height	<b>1854 mm</b>
Overall Depth	<b>610 mm</b>
Refrigerator Capacity	<b>569 L</b>
Min Height Required	<b>1848 mm</b>
Door Swing Clearance	<b>916 mm</b>
Specify Door Swing	<b>LH or RH</b>
Shipping Wt (O)	<b>181 kg</b>
Shipping Wt (S)	<b>195 kg</b>

#### REFRIGERATOR FEATURES

- 4 Adjustable Glass Shelves
- 1 Stationary Glass Shelf
- High-Humidity Compartment with Dividers
- Triple-Pane UV Resistant Glass Door
- Optional Accessory Roll-Out Deli Basket Available
- Egg Container



MODEL I601RG

### MODEL I601F

ALL FREEZER

#### MODEL OPTIONS

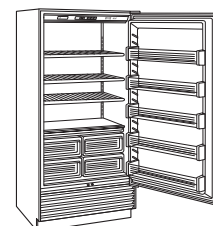
Overlay Design	<b>I601F/O</b>
Classic Stainless Steel	<b>I601F/S</b>

#### SPECIFICATIONS

Overall Width	<b>914 mm</b>
Overall Height	<b>1854 mm</b>
Overall Depth	<b>610 mm</b>
Freezer Capacity	<b>547 L</b>
Min Height Required	<b>1848 mm</b>
Door Swing Clearance	<b>916 mm</b>
Specify Door Swing	<b>LH or RH</b>
Shipping Wt (O)	<b>171 kg</b>
Shipping Wt (S)	<b>184 kg</b>

#### FREEZER FEATURES

- Automatic Ice Maker
- 3 Adjustable Wire Shelves
- 1 Stationary Glass Shelf
- 3 Freezer Storage Drawers
- 5 Adjustable Door Shelves



MODEL I601F

All models are shown in the stainless steel design application.

#### ACCESSORIES

Contact your Sub-Zero Dealer

Side panels in white and classic stainless steel

Full-length framed handles

Decorative overlay handles

90° and 105° door stop kits

Roll-out deli basket (Model I601RG)

Dozen egg container with lid

Harness kit for Star-K compliance



BUILT-IN

All models are shown in the stainless steel design application.

### MODEL I611

OVER-AND-UNDER

#### MODEL OPTIONS

Overlay Design	<b>I611/O</b>
Classic Stainless Steel	<b>I611/S</b>

#### SPECIFICATIONS

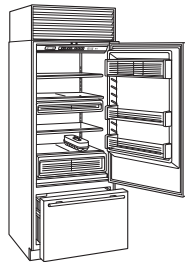
Overall Width	<b>762 mm</b>
Overall Height	<b>2134 mm</b>
Overall Depth	<b>610 mm</b>
Refrigerator Capacity	<b>360 L</b>
Freezer Capacity	<b>110 L</b>
Min Height Required	<b>2108 mm</b>
Door Swing Clearance	<b>765 mm</b>
Shipping Wt (O)	<b>195 kg</b>
Shipping Wt (S)	<b>210 kg</b>

#### REFRIGERATOR (DOOR)

- 3 Adjustable Glass Shelves
- 1 Stationary Glass Shelf
- High-Humidity Compartment with Divider
- Adjustable Roll-Out Deli Basket
- 2 Adjustable Door Shelves
- Adjustable Dairy Compartment
- Egg Container

#### FREEZER (DRAWER)

- Full-Extension Roll-Out Freezer Drawer
- Two-Tier Wire Storage Baskets
- Automatic Ice Maker



MODEL I611

### MODEL I611G

OVER-AND-UNDER  
WITH GLASS DOOR

#### MODEL OPTIONS

Overlay Design	<b>I611G/O</b>
Classic Stainless Steel	<b>I611G/S</b>

#### SPECIFICATIONS

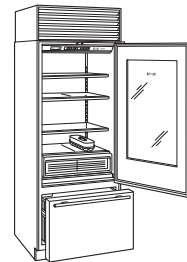
Overall Width	<b>762 mm</b>
Overall Height	<b>2134 mm</b>
Overall Depth	<b>610 mm</b>
Refrigerator Capacity	<b>365 L</b>
Freezer Capacity	<b>110 L</b>
Min Height Required	<b>2108 mm</b>
Door Swing Clearance	<b>765 mm</b>
Shipping Wt (O)	<b>214 kg</b>
Shipping Wt (S)	<b>216 kg</b>

#### REFRIGERATOR (DOOR)

- 3 Adjustable Glass Shelves
- 1 Stationary Glass Shelf
- High-Humidity Compartment with Divider
- Triple-Pane UV Resistant Glass Door
- Optional Accessory Roll-Out Deli Basket Available
- Egg Container

#### FREEZER (DRAWER)

- Full-Extension Roll-Out Freezer Drawer
- Two-Tier Wire Storage Baskets
- Automatic Ice Maker



MODEL I611G





BUILT-IN

## MODEL I650

OVER-AND-UNDER

### MODEL OPTIONS

Overlay Design	<b>I650/O</b>
Classic Stainless Steel	<b>I650/S</b>

### SPECIFICATIONS

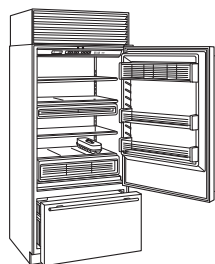
Overall Width	<b>914 mm</b>
Overall Height	<b>2134 mm</b>
Overall Depth	<b>610 mm</b>
Refrigerator Capacity	<b>445 L</b>
Freezer Capacity	<b>139 L</b>
Min Height Required	<b>2108 mm</b>
Door Swing Clearance	<b>916 mm</b>
Shipping Wt (O)	<b>219 kg</b>
Shipping Wt (S)	<b>234 kg</b>

### REFRIGERATOR (DOOR)

- 3 Adjustable Glass Shelves
- 1 Stationary Glass Shelf
- High-Humidity Compartment with Dividers
- Adjustable Roll-Out Deli Basket
- 2 Adjustable Door Shelves
- Adjustable Dairy Compartment
- Egg Container

### FREEZER (DRAWER)

- Full-Extension Roll-Out Freezer Drawer
- Two-Tier Wire Storage Baskets
- Automatic Ice Maker



MODEL I650

## MODEL I650G

OVER-AND-UNDER  
WITH GLASS DOOR

### MODEL OPTIONS

Overlay Design	<b>I650G/O</b>
Classic Stainless Steel	<b>I650G/S</b>

### SPECIFICATIONS

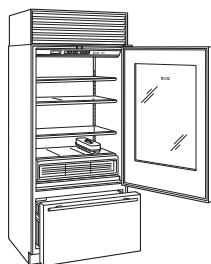
Overall Width	<b>914 mm</b>
Overall Height	<b>2134 mm</b>
Overall Depth	<b>610 mm</b>
Refrigerator Capacity	<b>453 L</b>
Freezer Capacity	<b>139 L</b>
Min Height Required	<b>2108 mm</b>
Door Swing Clearance	<b>916 mm</b>
Shipping Wt (O)	<b>237 kg</b>
Shipping Wt (S)	<b>240 kg</b>

### REFRIGERATOR (DOOR)

- 3 Adjustable Glass Shelves
- 1 Stationary Glass Shelf
- High-Humidity Compartment with Dividers
- Triple-Pane UV Resistant Glass Door
- Optional Accessory Roll-Out Deli Basket Available
- Egg Container

### FREEZER (DRAWER)

- Full-Extension Roll-Out Freezer Drawer
- Two-Tier Wire Storage Baskets
- Automatic Ice Maker



MODEL I650G

## ACCESSORIES

Optional accessories are available through your Sub-Zero dealer.

## ACCESSORIES

Contact your Sub-Zero Dealer

Side panels in white and classic stainless steel

Panel, louvered or stainless steel grilles in 25 mm increments from 254 mm to 381 mm high

Full-length framed handles

Decorative overlay handles

Roll-out deli basket (Models I611G and I650G)

Dozen egg container with lid

Harness kit for Star-K compliance



BUILT-IN

### MODEL I661

SIDE-BY-SIDE

#### MODEL OPTIONS

Overlay Design	<b>I661/O</b>
Classic Stainless Steel	<b>I661/S</b>

#### SPECIFICATIONS

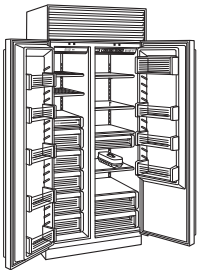
Overall Width	<b>914 mm</b>
Overall Height	<b>2134 mm</b>
Overall Depth	<b>610 mm</b>
Refrigerator Capacity	<b>354 L</b>
Freezer Capacity	<b>249 L</b>
Min Height Required	<b>2108 mm</b>
Door Swing Clearance	<b>527 mm</b>
Shipping Wt (O)	<b>227 kg</b>
Shipping Wt (S)	<b>244 kg</b>

#### REFRIGERATOR FEATURES

- 4 Adjustable Glass Shelves
- 1 Stationary Glass Shelf
- High-Humidity Compartment
- 1 Storage Drawer
- Adjustable Roll-Out Deli Basket
- 3 Adjustable Door Shelves
- Adjustable Dairy Compartment
- Egg Container

#### FREEZER FEATURES

- Automatic Ice Maker
- 2 Adjustable Wire Shelves
- 1 Stationary Solid Shelf
- 4 Storage Drawers
- 5 Adjustable Door Shelves



MODEL I661

### MODEL I642

SIDE-BY-SIDE

#### MODEL OPTIONS

Overlay Design	<b>I642/O</b>
Classic Stainless Steel	<b>I642/S</b>

#### SPECIFICATIONS

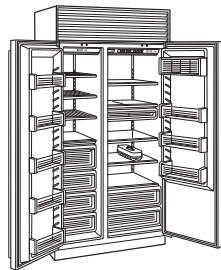
Overall Width	<b>1067 mm</b>
Overall Height	<b>2134 mm</b>
Overall Depth	<b>610 mm</b>
Refrigerator Capacity	<b>459 L</b>
Freezer Capacity	<b>232 L</b>
Min Height Required	<b>2108 mm</b>
Door Swing Clearance	<b>649 mm</b>
Shipping Wt (O)	<b>245 kg</b>
Shipping Wt (S)	<b>264 kg</b>

#### REFRIGERATOR FEATURES

- 4 Adjustable Glass Shelves
- 1 Stationary Glass Shelf
- High-Humidity Compartment
- 1 Storage Drawer
- Adjustable Roll-Out Deli Basket
- 3 Adjustable Door Shelves
- Adjustable Dairy Compartment
- Egg Container

#### FREEZER FEATURES

- Automatic Ice Maker
- 3 Adjustable Wire Shelves
- 1 Stationary Solid Shelf
- 3 Storage Drawers
- 5 Adjustable Door Shelves



MODEL I642

### MODEL I685

SIDE-BY-SIDE  
ICE | WATER DISPENSING

#### MODEL OPTIONS

Overlay Design	<b>I685/O</b>
Classic Stainless Steel	<b>I685/S</b>

#### SPECIFICATIONS

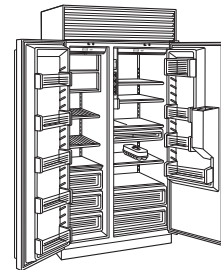
Overall Width	<b>1067 mm</b>
Overall Height	<b>2134 mm</b>
Overall Depth	<b>610 mm</b>
Refrigerator Capacity	<b>442 L</b>
Freezer Capacity	<b>232 L</b>
Min Height Required	<b>2108 mm</b>
Door Swing Clearance	<b>649 mm</b>
Shipping Wt (O)	<b>258 kg</b>
Shipping Wt (S)	<b>276 kg</b>

#### REFRIGERATOR FEATURES

- 4 Adjustable Glass Shelves
- 1 Stationary Glass Shelf
- High-Humidity Compartment
- 1 Storage Drawer
- Adjustable Roll-Out Deli Basket
- 3 Adjustable Door Shelves
- Adjustable Dairy Compartment
- Egg Container

#### FREEZER FEATURES

- Automatic Ice Maker
- 2 Adjustable Wire Shelves
- 1 Stationary Wire Shelf
- 3 Storage Drawers
- 5 Adjustable Door Shelves
- 2 Juice Can Shelves



MODEL I685



BUILT-IN

## MODEL I632

SIDE-BY-SIDE

### MODEL OPTIONS

Overlay Design	<b>I632/O</b>
Classic Stainless Steel	<b>I632/S</b>

### SPECIFICATIONS

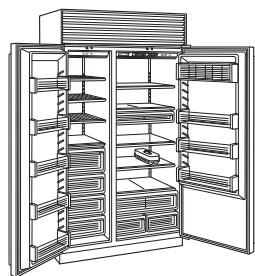
Overall Width	<b>1219 mm</b>
Overall Height	<b>2134 mm</b>
Overall Depth	<b>610 mm</b>
Refrigerator Capacity	<b>535 L</b>
Freezer Capacity	<b>278 L</b>
Min Height Required	<b>2108 mm</b>
Door Swing Clearance	<b>743 mm</b>
Shipping Wt (O)	<b>264 kg</b>
Shipping Wt (S)	<b>286 kg</b>

### REFRIGERATOR FEATURES

- 4 Adjustable Glass Shelves
- 1 Stationary Glass Shelf
- High-Humidity Compartment with Divider
- 2 Storage Drawers
- Adjustable Roll-Out Deli Basket
- 3 Adjustable Door Shelves
- Adjustable Dairy Compartment
- Egg Container

### FREEZER FEATURES

- Automatic Ice Maker
- 3 Adjustable Wire Shelves
- 1 Stationary Solid Shelf
- 3 Storage Drawers
- 5 Adjustable Door Shelves



MODEL I632

## MODEL I695

SIDE-BY-SIDE  
ICE | WATER DISPENSING

### MODEL OPTIONS

Overlay Design	<b>I695/O</b>
Classic Stainless Steel	<b>I695/S</b>

### SPECIFICATIONS

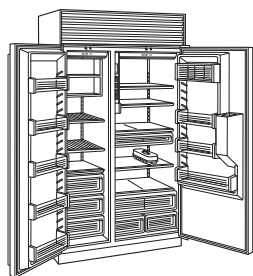
Overall Width	<b>1219 mm</b>
Overall Height	<b>2134 mm</b>
Overall Depth	<b>610 mm</b>
Refrigerator Capacity	<b>515 L</b>
Freezer Capacity	<b>278 L</b>
Min Height Required	<b>2108 mm</b>
Door Swing Clearance	<b>743 mm</b>
Shipping Wt (O)	<b>277 kg</b>
Shipping Wt (S)	<b>298 kg</b>

### REFRIGERATOR FEATURES

- 4 Adjustable Glass Shelves
- 1 Stationary Glass Shelf
- High-Humidity Compartment with Divider
- 2 Storage Drawers
- Adjustable Roll-Out Deli Basket
- 3 Adjustable Door Shelves
- Adjustable Dairy Compartment
- Egg Container

### FREEZER FEATURES

- Automatic Ice Maker
- 2 Adjustable Wire Shelves
- 1 Stationary Wire Shelf
- 3 Storage Drawers
- 5 Adjustable Door Shelves
- 2 Juice Can Shelves



MODEL I695

*All models are shown in the stainless steel design application.*

### ACCESSORIES

Contact your Sub-Zero Dealer

Side panels in white and classic stainless steel

Panel, louvered or stainless steel grilles in 25 mm increments from 254 mm to 381 mm high

Full-length framed handles

Decorative overlay handles

90° and 105° door stop kits

Dozen egg container with lid

Harness kit for Star-K compliance



BUILT-IN

### MODEL ICB648PRO

SIDE-BY-SIDE  
BUILT-IN OR FREE-STANDING

#### SPECIFICATIONS

Overall Width	<b>1219 mm</b>
Overall Height	<b>2134 mm</b>
Overall Depth	<b>657 mm</b>
Refrigerator Capacity	<b>521 L</b>
Freezer Capacity	<b>331 L</b>
Min Height Required	<b>2121 mm</b>
Door Swing Clearance	<b>730 mm</b>
Shipping Weight	<b>390 kg</b>

#### REFRIGERATOR

*(Door and Two Drawers)*

- 3 Adjustable Glass Shelves
- 1 Stationary Glass Shelf
- 2 Adjustable Slide-Out Stainless Steel Bins
- 1 Crisper Lid
- Dividers for Drawers Included

#### FREEZER

*(Door and Two Drawers)*

- Automatic Ice Maker
- 3 Adjustable Stainless Steel Shelves
- 1 Stationary Stainless Steel Shelf
- 1 Stainless Steel Ice Bucket

### MODEL ICB648PROG

SIDE-BY-SIDE  
WITH GLASS DOOR  
BUILT-IN OR FREE-STANDING

#### SPECIFICATIONS

Overall Width	<b>1219 mm</b>
Overall Height	<b>2134 mm</b>
Overall Depth	<b>657 mm</b>
Refrigerator Capacity	<b>521 L</b>
Freezer Capacity	<b>331 L</b>
Min Height Required	<b>2121 mm</b>
Door Swing Clearance	<b>730 mm</b>
Shipping Weight	<b>397 kg</b>

#### REFRIGERATOR

*(Door and Two Drawers)*

- 3 Adjustable Glass Shelves
- 1 Stationary Glass Shelf
- 2 Adjustable Slide-Out Stainless Steel Bins
- 1 Crisper Lid
- Dividers for Drawers Included
- Triple-Pane UV Resistant Glass Door

#### FREEZER

*(Door and Two Drawers)*

- Automatic Ice Maker
- 3 Adjustable Stainless Steel Shelves
- 1 Stationary Stainless Steel Shelf
- 1 Stainless Steel Ice Bucket

#### ACCESSORIES

Contact your Sub-Zero Dealer

90° door stop kit—right or left hinge

Dozen egg container with lid

Slide-out stainless steel refrigerator bin

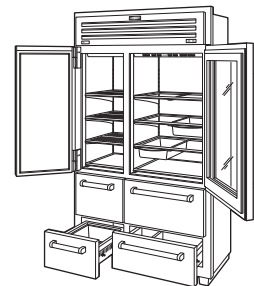
Refrigerator drawer dividers

Classic stainless steel side panel

Free-standing kit—includes two stainless steel side panels and top lid



MODEL ICB648PRO



MODEL ICB648PROG



BUILT-IN

## PLANNING INFORMATION

Although the Sub-Zero Built-In line offers a wide range of designs and configurations, the basic planning considerations for all models have much in common. As you integrate Built-In models into your overall plan, review installation requirements for your particular model(s). The Installation Specifications illustrations provide planning information for all Built-In models—overlay and stainless steel.

Allow the door(s) to open a minimum of 90° or you'll have problems removing drawers. With the door opening at 90°, you may have to move drawers slightly to clear the door interior.

For corner installations, allow for a minimum 76 mm filler so that the door can open to 90°. If you're using raised panels, consider using a wider filler.

When units are installed side by side, a filler strip is recommended. The width of this filler strip will vary depending on the configuration and panels you use.

Be sure to add the filler strip width to your finished rough opening dimension. In any installation of two units side by side without a filler strip, add an additional 13 mm to your combined numbers. This will allow for the proper width.

**IMPORTANT NOTE:** Refer to the full-scale illustrations at the end of this section for specifics on door openings and filler size alternatives.

## ELECTRICAL REQUIREMENTS

International models from the factory designed without a transformer require a 220/240 V AC, 50/60 Hz electrical supply, fused at the correct rating for the unit. If required by local or national codes, the power cord can be easily replaced using the power inlet device.

International models using a factory installed transformer require a 220/240 V AC, 50/60 Hz electrical supply, fused at the correct rating for the unit. These models will come equipped with Schuko power cords. The power cord may need to be replaced depending on local and national codes. The USA power cord that is supplied with the product must be disconnected with the appropriate transformer output to be connected in its place.

**IMPORTANT NOTE:** The electrical outlet must be grounded. The outlet must be flush with the back wall. Refer to the Installation Specifications illustration for your model for exact placement.

**IMPORTANT NOTE:** A ground fault circuit interrupter (GFCI) is not recommended and may cause interruption of operation.

## PLUMBING CONSIDERATIONS

For Built-In models with an automatic ice maker, rough in the water supply line. Connect a 6.35 mm OD copper line to the house supply, being sure to use an easily accessible shut-off valve between the supply and the refrigerator.

Do not use self-piercing valves. A saddle valve kit (4200880) is available from your Sub-Zero dealer.

For Built-In models, a line filter is required when water conditions have a high sediment content. The ice maker operates on water pressure of 1.4 bar to 6.9 bar.

**IMPORTANT NOTE:** In some cases a reverse osmosis water filter system may not be able to maintain the minimum water pressure consistently.

**IMPORTANT NOTE:** A reverse osmosis system can be used with Models ICB648PRO and ICB648PROG, provided there is constant water pressure of 1.4 bar to 8.3 bar supplied to the unit at all times.

The water line should be routed up through the floor within 13 mm from the back wall and no higher than 76 mm off the floor. If you have to come through the wall, make sure the water line is no more than 76 mm from the floor.

Regardless of the routing, allow 1 m of excess copper tubing to remain outside the wall or floor for easy connection to the unit. Refer to Installation Specification illustrations.

## MODEL OPTIONS

**Model I601R**  
914 mm  
*All Refrigerator*

**Model I601RG**  
914 mm  
*All Refrigerator with Glass Door*

**Model I601F**  
914 mm  
*All Freezer*

**Model I611**  
762 mm  
*Over-and-Under*

**Model I611G**  
762 mm  
*Over-and-Under with Glass Door*

**Model I650**  
914 mm  
*Over-and-Under*

**Model I650G**  
914 mm  
*Over-and-Under with Glass Door*

**Model I661**  
914 mm  
*Side-by-Side*

**Model I642**  
1067 mm  
*Side-by-Side*

**Model I685**  
1067 mm  
*Side-by-Side Ice | Water Dispensing*

**Model I632**  
1219 mm  
*Side-by-Side*

**Model I695**  
1219 mm  
*Side-by-Side Ice | Water Dispensing*

**Model ICB648PRO**  
1219 mm  
*Side-by-Side Built-In or Free-Standing*

**Model ICB648PROG**  
1219 mm  
*Side-by-Side with Glass Door Built-In or Free-Standing*



BUILT-IN

### OVERALL DIMENSIONS

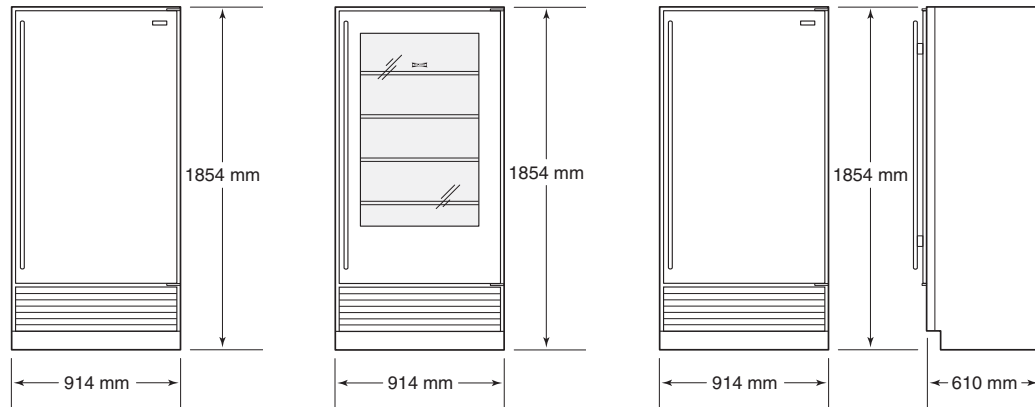
All Refrigerator | All Freezer Models

ALL REFRIGERATOR  
ALL FREEZER

**Model I601R**  
All Refrigerator

**Model I601RG**  
All Refrigerator  
with Glass Door

**Model I601F**  
All Freezer



**Model I601R**  
All Refrigerator

Width **914 mm**  
Height **1854 mm**  
Depth **610 mm**

**Model I601RG**  
All Refrigerator  
with Glass Door

Width **914 mm**  
Height **1854 mm**  
Depth **610 mm**

**Model I601F**  
All Freezer

Width **914 mm**  
Height **1854 mm**  
Depth **610 mm**

Illustrations shown in stainless steel design.

### INSTALLATION

Refer to the installation instructions shipped with each Sub-Zero product for detailed specifications.

Refer to the full-scale illustrations at the end of this section for specifics on door openings and other specifications.

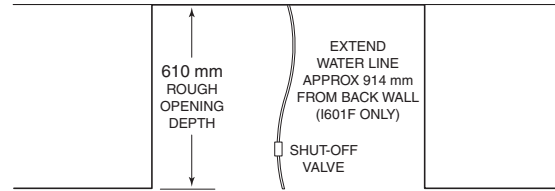
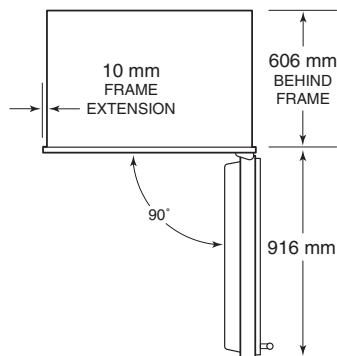
### INSTALLATION SPECIFICATIONS

All Refrigerator | All Freezer Models

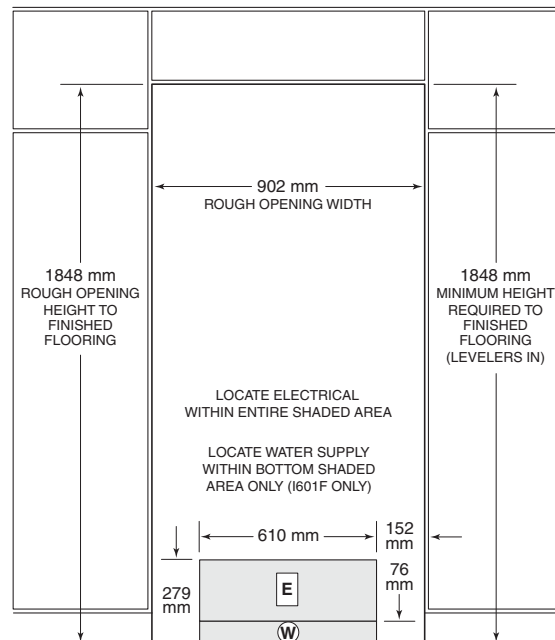
Models I601R and I601RG, which do not have an ice maker, will not require the water line connection.

Dimensions are for finished rough openings.

Door swing clearances are based on stainless steel door and handle dimensions.



TOP VIEW



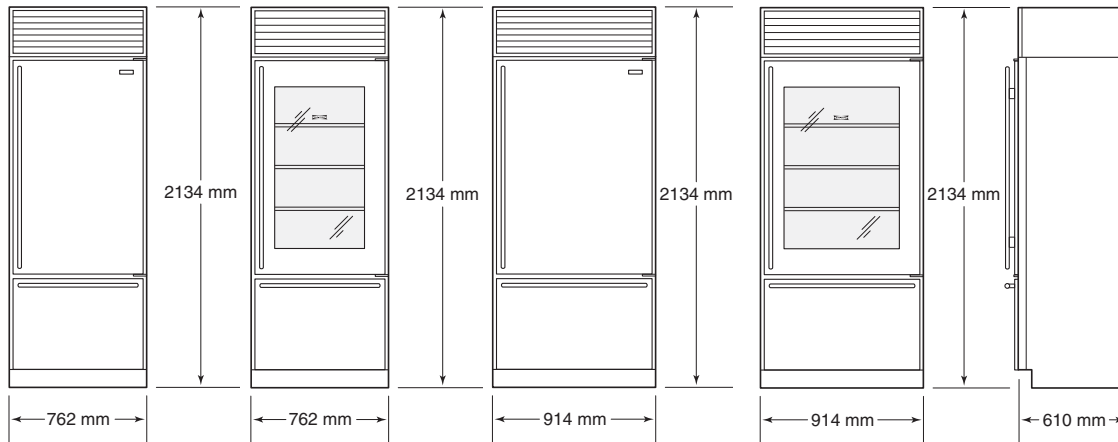
FRONT VIEW



BUILT-IN

## OVERALL DIMENSIONS

Over-and-Under Refrigerator/Freezer Models



OVER-AND-UNDER

**Model I611**

**Model I611G**  
with Glass Door

**Model I650**

**Model I650G**  
with Glass Door

### Model I611

Width **762 mm**  
Height **2134 mm**  
Depth **610 mm**

### Model I611G with Glass Door

Width **762 mm**  
Height **2134 mm**  
Depth **610 mm**

### Model I650

Width **914 mm**  
Height **2134 mm**  
Depth **610 mm**

### Model I650G with Glass Door

Width **914 mm**  
Height **2134 mm**  
Depth **610 mm**

Illustrations shown in stainless steel design.

## INSTALLATION SPECIFICATIONS

Over-and-Under Refrigerator/Freezer Models

### Model I611

**A) Rough Opening Width 749 mm**  
**B) Min Door Clearance 765 mm**

### Model I611G

**A) Rough Opening Width 749 mm**  
**B) Min Door Clearance 765 mm**

### Model I650

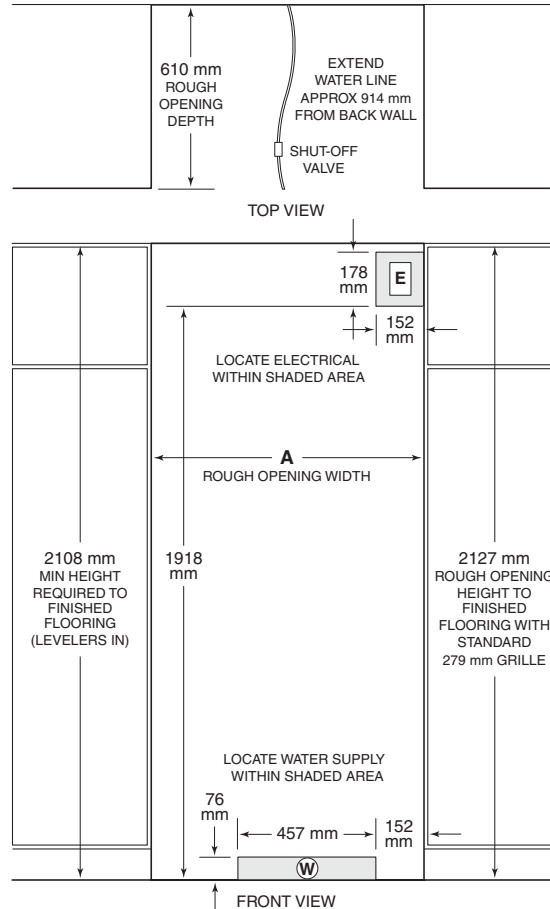
**A) Rough Opening Width 902 mm**  
**B) Min Door Clearance 916 mm**

### Model I650G

**A) Rough Opening Width 902 mm**  
**B) Min Door Clearance 916 mm**

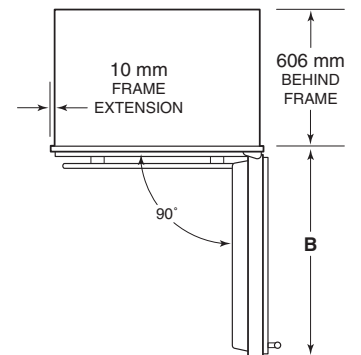
Dimensions are for finished rough openings.

Door swing clearances are based on stainless steel door and handle dimensions.



## INSTALLATION

Refer to the installation instructions shipped with each Sub-Zero product for detailed specifications.

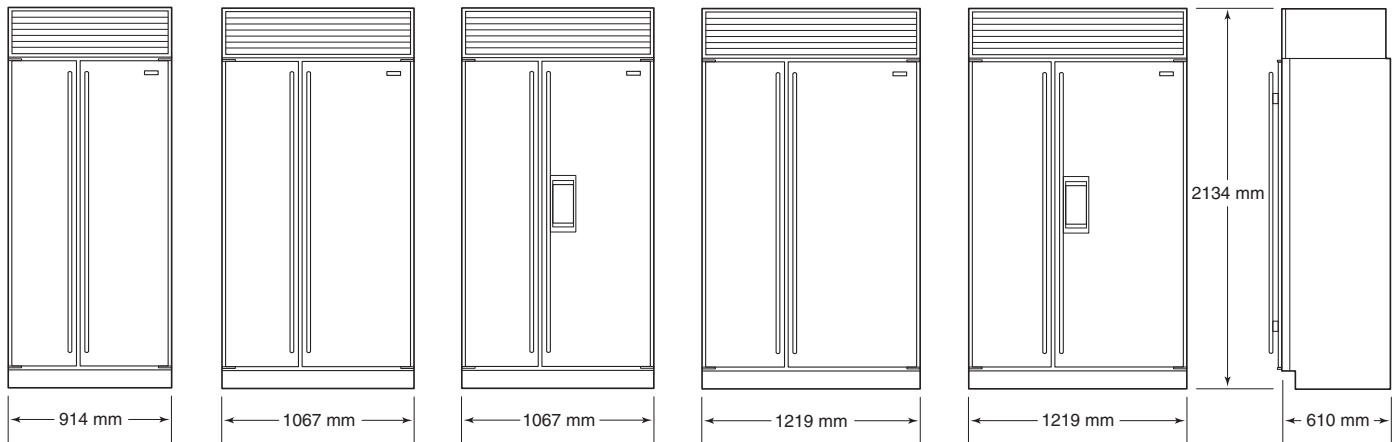


Refer to the full-scale illustrations at the end of this section for specifics on door openings and other specifications.



OVERALL DIMENSIONS

Side-by-Side Refrigerator / Freezer Models



**Model I661**

Width **914 mm**  
Height **2134 mm**  
Depth **610 mm**

**Model I642**

Width **1067 mm**  
Height **2134 mm**  
Depth **610 mm**

**Model I685**

*Ice / Water Dispensing*

Width **1067 mm**  
Height **2134 mm**  
Depth **610 mm**

**Model I632**

Width **1219 mm**  
Height **2134 mm**  
Depth **610 mm**

**Model I695**

*Ice / Water Dispensing*

Width **1219 mm**  
Height **2134 mm**  
Depth **610 mm**

Illustrations shown in stainless steel design.

SIDE-BY-SIDE

**Model I661**

**Model I642**

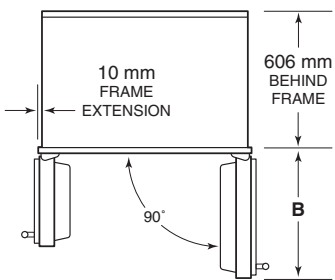
**Model I685**

*Ice / Water Dispensing*

**Model I632**

**Model I695**

*Ice / Water Dispensing*



INSTALLATION SPECIFICATIONS

Side-by-Side Refrigerator / Freezer Models

**Model I661**

- A) Rough Opening Width 902 mm**
- B) Min Door Clearance 527 mm**

**Model I642**

- A) Rough Opening Width 1054 mm**
- B) Min Door Clearance 649 mm**

**Model I685**

- A) Rough Opening Width 1054 mm**
- B) Min Door Clearance 649 mm**

**Model I632**

- A) Rough Opening Width 1206 mm**
- B) Min Door Clearance 743 mm**

**Model I695**

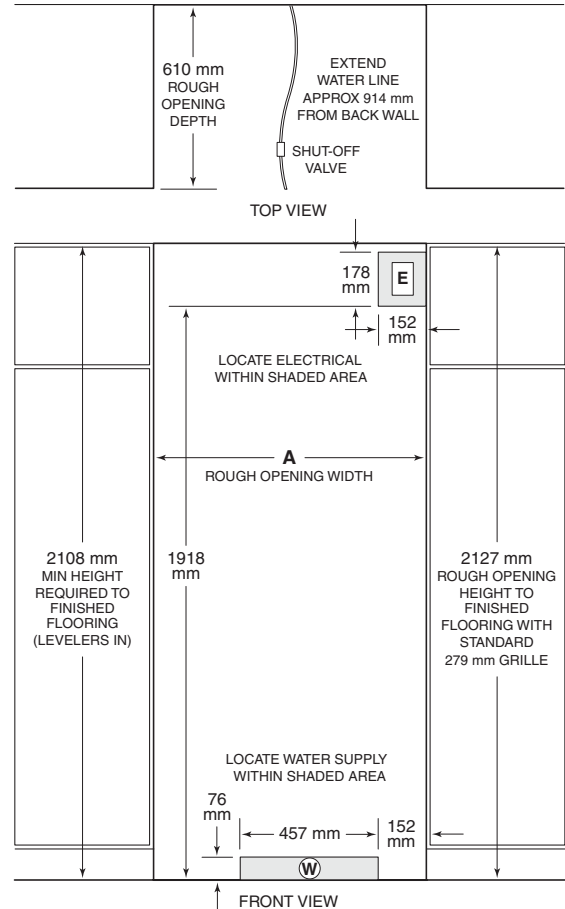
- A) Rough Opening Width 1206 mm**
- B) Min Door Clearance 743 mm**

Dimensions are for finished rough openings.

Door swing clearances are based on stainless steel door and handle dimensions.

INSTALLATION

Refer to the installation instructions shipped with each Sub-Zero product for detailed specifications.



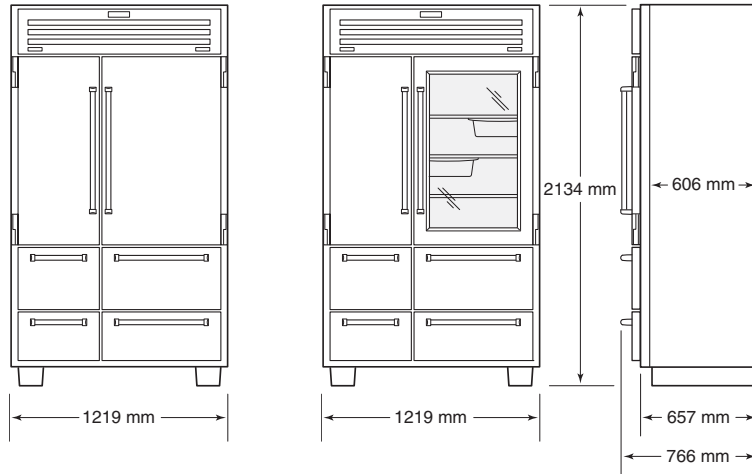




BUILT-IN

### OVERALL DIMENSIONS

PRO 48 Side-by-Side Refrigerator / Freezer Models



#### Model ICB648PRO

Width **1219 mm**  
 Height **2134 mm**  
 Depth **606 mm\***  
**657 mm\*\***

#### Model ICB648PROG with Glass Door

Width **1219 mm**  
 Height **2134 mm**  
 Depth **606 mm\***  
**657 mm\*\***

\*Depth from behind face frame to back of unit for standard installation.  
 \*\*Depth from front of face frame to back of unit for flush installation.

PRO 48  
SIDE-BY-SIDE

Model ICB648PRO  
Built-In or Free-Standing

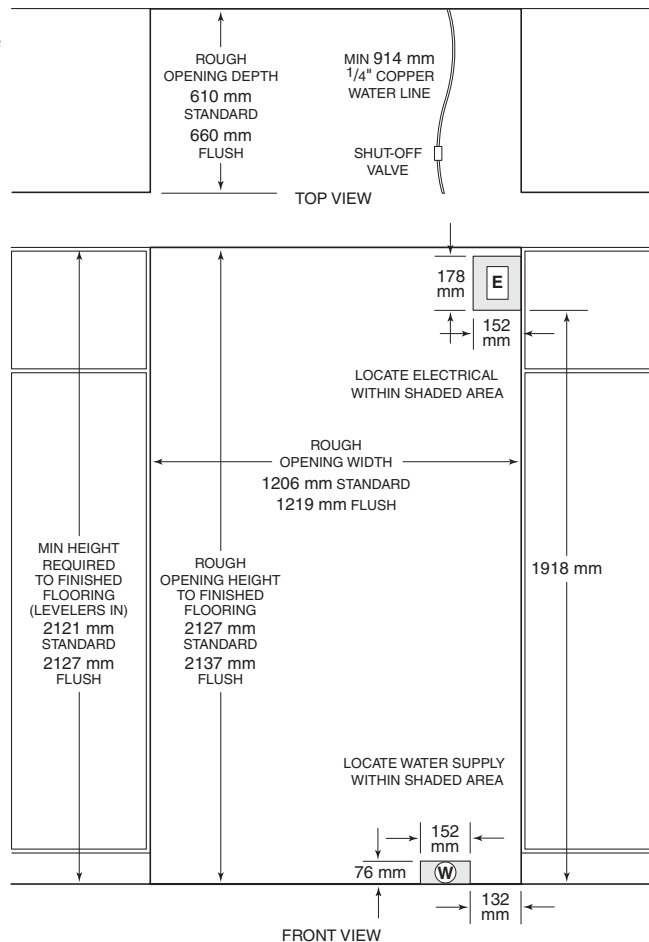
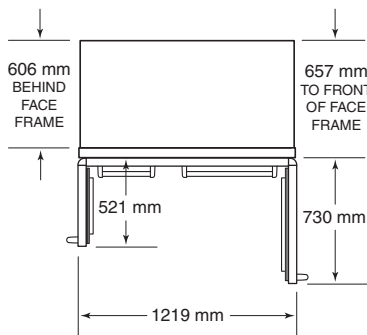
Model ICB648PROG  
with Glass Door  
Built-In or Free-Standing

### INSTALLATION SPECIFICATIONS

PRO 48 Side-by-Side Refrigerator / Freezer Models  
Built-In or Free-Standing

Models ICB648PRO and ICB648PROG can be used free-standing or installed as a standard or flush built-in application. For standard built-in installations, the face frame of the unit will extend 51 mm beyond cabinetry. In flush built-in installations, the front of the face frame will be flush with surrounding cabinetry.

Dimensions are for finished rough openings.



### INSTALLATION

Refer to the installation instructions shipped with each Sub-Zero product for detailed specifications.



BUILT-IN

## ACCESSORIES

**Optional accessories are available through your Sub-Zero dealer.**

### ANTI-TIP BLOCKING KIT

To prevent the unit from tipping forward and to provide a stable installation, the unit must be secured in place with an anti-tip blocking kit. If there is a solid soffit above the unit with clearance between the unit and the soffit of 25 mm or less, you won't need to block the unit. But for installations with clearances of more than 25 mm, you must block the unit with the anti-tip blocking kit (wood block and hardware) provided with each Sub-Zero Built-In model. Refer to the Built-In Installation Guide packed with the appliance, which provides step-by-step procedures for making sure the unit is installed properly.

### ADDING PANELS

In your plan for panels, be sure you are working with the Sub-Zero panel design family called for in your design. If you have chosen the stainless steel design, the unit will be shipped complete with wrapped stainless steel doors and handle hardware. You will not have to install door panels.

Specifications on the following pages provide panel dimensions and installation considerations for overlay door panels.

Side panels can be used with the overlay and stainless steel design applications. Refer to specifications on page 20.



BUILT-IN

## OVERLAY DOOR PANELS

If you and your client have ordered an overlay design model, you will be adding panels to give the unit the custom Sub-Zero look. The overlay panel design option is available on all Built-In units except Models ICB648PRO and ICB648PROG.

For exact door panel dimensions for Built-In overlay models, refer to the Overlay Panel Specifications on pages 22-23.

The overlay design allows decorative panels to cover the door trim for a more seamless appearance that blends with the design of the room. To achieve this look, the most common way is to work with three panels—the decorative overlay panel, a 3 mm spacer panel and a 6 mm backer panel. Depending on your cabinet manufacturer, this could be one panel routed for different dimensions or, more likely, three different panels.

Regardless of the physical construction of the panels (routing or three-panel assembly), you will need to follow the Overlay Panel Specifications on the following pages for exact sizing and panel placement to ensure a proper fit.

Illustration 3 is a cross section view of the three-panel assembly showing placement of the door, drawer or grille trim. Illustration 4 shows a rear view of the three-panel assembly and critical dimensions, standard for all models.

**IMPORTANT NOTE:** Keep in mind that the Sub-Zero door panels have the potential for hitting adjacent cabinets and/or countertops when they are opened. You need to be aware of your surrounding cabinetry and space limitations when using the overlay models. Refer to the full-scale illustrations at the end of this section.

If you are using an overlay door panel with Model I611, I611G, I650 or I650G, it is necessary to rout a space for the unit's lower hinge plate so it does not strike the door panel. Refer to illustration 5.

For Models I611, I611G, I650 and I650G, you will minimize the reveal between the bottom of the overlay door panel and the top of the overlay drawer panel. Refer to illustration 6.

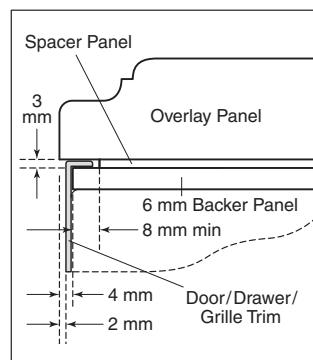
**IMPORTANT NOTE:** If you choose not to rout a space for the lower hinge plate, you can reduce the total height of the overlay panel (decorative panel only) by 13 mm.

## PANEL REQUIREMENTS

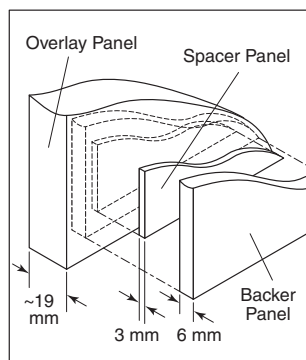
The overlay door panel assembly must be a minimum of 16 mm thick and cannot exceed 23 kg.

### CAUTION

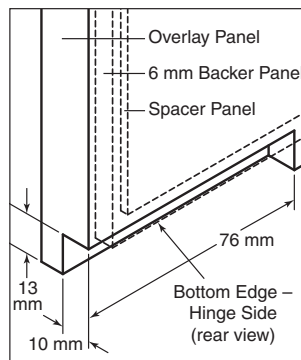
Do not exceed the overlay decorative panel dimensions for Models I611, I611G, I650 or I650G listed on page 22. If you try to make the reveal tighter between the door and drawer panels, the panels may hit when opening and closing, causing possible damage to the panels and the Sub-Zero unit.



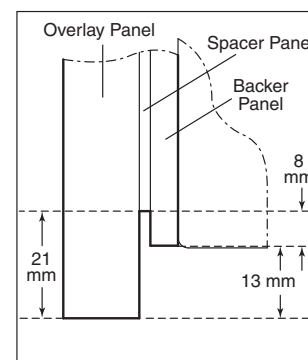
Illus. 3



Illus. 4



Illus. 5



Illus. 6



BUILT-IN

## OVERLAY DOOR PANELS

For glass door Models I601RG, I611G and I650G, the refrigerator door panel must include a cut-out to accommodate the window. Refer to the Overlay Panel Specifications for Models I601RG, I611G and I650G on page 22.

**IMPORTANT NOTE:** On glass door models, the glass portion of the door must be exposed and not covered by any part of the panel.

For Models I685 and I695, the refrigerator door panel must include a cut-out to accommodate the glasswell and bezel. The thickness of the panel in this area can range from 6 mm to a maximum of 29 mm.

**IMPORTANT NOTE:** Regardless of the thickness of the overlay panel for Model I685 or I695, you must plan for a flat 'landing' space for the decorative bezel surrounding the glasswell area. Refer to page 23 for exact cut-out dimensions of the glasswell area in the overlay, spacer and backer panels. This 'landing' area can be accomplished in a number of different ways. We are showing two in Illustrations 7 and 8 below.

Illustration 7 shows how you can recess the bezel to the inset panel. You must rout out a space to accommodate the 327 mm height of the bezel. Also keep in mind that the amount of material you will rout out of the stile will vary because of the thickness of this element. However, the width of the stile immediately adjacent to the bezel must be 37 mm. DO NOT cut the entire stile to this dimension. In this illustration you can see that rails above and below the bezel give this a finished look. Make sure that the bezel is not supporting weight from the panel.

Illustration 8 shows how you can box out a landing space for the bezel using stiles and rails to create this space. Again, keep in mind, that the total thickness of the panel at this level must not exceed 29 mm.

## OVERLAY PANEL GRILLE

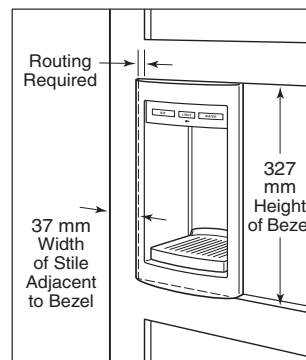
Overlay grille panels for the panel grille match the design of the door panels. Overlay units, except Models I601R, I601RG and I601F, come standard with an 279 mm panel grille. Optional grilles are available in 25 mm height increments from 254 mm to 381 mm. Overlay grille panel specifications for the panel grille are listed on page 23. Also refer to illustration 4 on page 19 for additional overlay panel dimensions.

### CAUTION

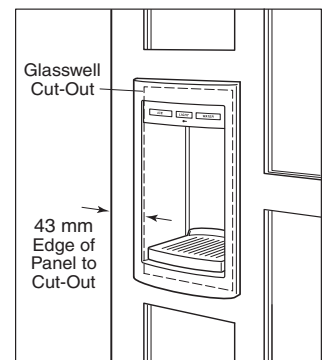
**Do not exceed the panel dimensions listed for the appropriate overlay grille panel you are specifying. The decorative panel cannot be any larger or it may restrict the airflow to the compressor area and cause problems with the operation of the Sub-Zero unit.**

## INSTALLATION

To install overlay panels, see the detailed procedures outlined in the Sub-Zero Built-In Installation Guide.



Illus. 7



Illus. 8



BUILT-IN

## HANDLE HARDWARE

Overlay models come without handle hardware. The beauty of this design is that you can match the surrounding cabinet hardware. You or the cabinet manufacturer must provide handle hardware to match the overall decorating scheme.

The handle hardware must be installed before installing the panel assembly. Use larger D-style handles. If screws with thick heads are used, the screws will need to be countersunk into the door before the panel is put into place.

**IMPORTANT NOTE:** Sub-Zero does not recommend using single pull knobs on any of its Built-In models.

For overlay Models I685 and I695, mounting placement of the refrigerator door handle must assure proper access to the glasswell and adequate clearance under the handle. Illustration 8 shows placement of the refrigerator door handle in relationship to the glasswell bezel on stainless steel models.

Optional stainless steel handles are available in a variety of diameters and lengths, as are handles to match the color and style of Wolf ovens. Contact your Sub-Zero dealer for specifics.

Refer to the full-scale illustrations at the end of this section for handle hardware considerations.

## SIDE PANELS

Side panels can be used with the overlay and stainless steel design applications. When planning for side panels with the installation of a Built-In model, you need to be aware of space configuration to achieve a pleasing fit. Depending on the exact panel you are using with your unit, the height of the panel will vary.

Cut-outs around the toe kick and grille area are required if a 6 mm thick panel will be inserted into the main frame channel. The panel will need to be 610 mm deep. If a 10 mm thick panel is used, the panel will abut the main frame and should be 606 mm deep. Refer to illustrations 9–11 below for placement of toe kick and grille area cut-outs for your specific model. These dimensions do not apply to Models ICB648PRO and ICB648PROG.

The toe kick area may or may not be cut out depending on the look you want to achieve.

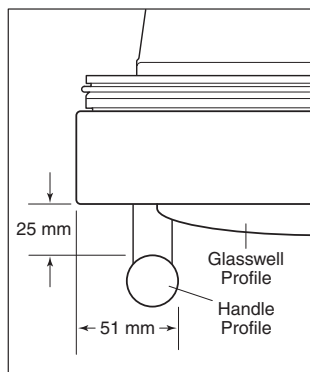
**IMPORTANT NOTE:** The use of side panels may change the width of your rough opening.

## ACCESSORIES

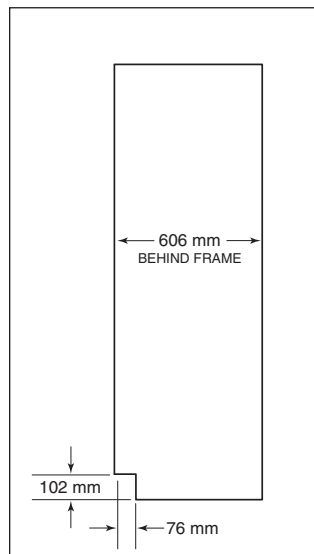
Optional accessories are available through your Sub-Zero dealer.

## INSTALLATION

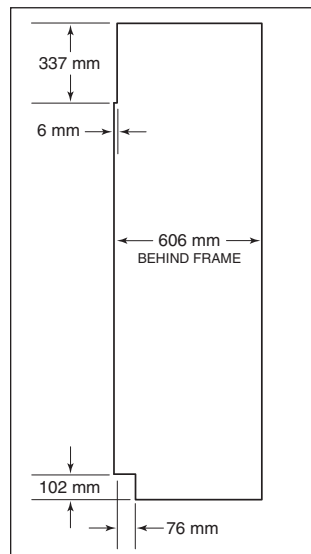
To install overlay panels, see the detailed procedures outlined in the Sub-Zero Built-In Installation Guide.



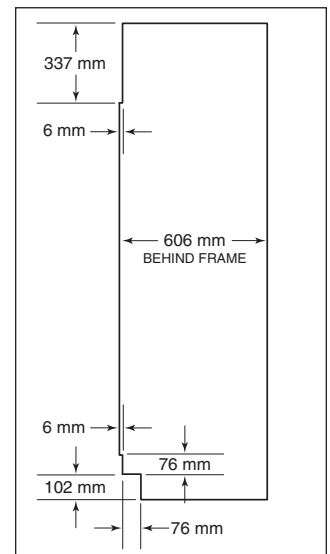
Illus. 8



Illus. 9—Models I601R, I601RG and I601F



Illus. 10—Models I611, I611G, I650 and I650G



Illus. 11—Models I661, I642, I632, I685 and I695



OVERLAY DOOR PANEL SPECIFICATIONS

All Refrigerator | All Freezer Overlay (O) Models

Model I601R	W	H
Refrigerator Overlay Panel	875 mm	1505 mm
Refrigerator Spacer Panel	851 mm	1481 mm
Refrigerator Backer Panel	867 mm	1497 mm

Model I601RG	W	H
Refrigerator Overlay Panel	875 mm	1505 mm
Refrigerator Spacer Panel	851 mm	1481 mm
Refrigerator Backer Panel	867 mm	1497 mm
Window Cut-out Dimensions	646 mm	1048 mm
Window Cut-out Location	C) 114 mm	D) 343 mm

Model I601F	W	H
Freezer Overlay Panel	875 mm	1505 mm
Freezer Spacer Panel	851 mm	1481 mm
Freezer Backer Panel	867 mm	1497 mm

**IMPORTANT NOTE:** Panel specifications are for Built-In overlay (O) models.

OVERLAY DOOR PANEL SPECIFICATIONS

Over-and-Under Overlay (O) Models

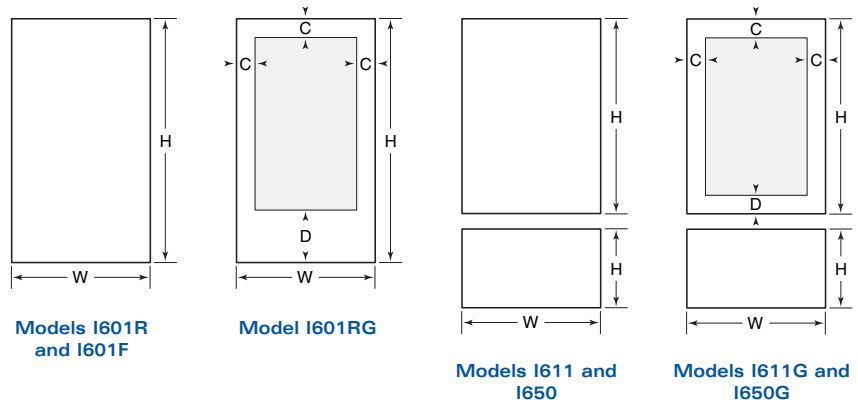
Model I611	W	H
Refrigerator Overlay Panel	722 mm	1241 mm
Refrigerator Spacer Panel	699 mm	1205 mm
Refrigerator Backer Panel	714 mm	1221 mm
Freezer Overlay Panel	722 mm	475 mm
Freezer Spacer Panel	699 mm	451 mm
Freezer Backer Panel	714 mm	467 mm

Model I611G	W	H
Refrigerator Overlay Panel	722 mm	1241 mm
Refrigerator Spacer Panel	699 mm	1205 mm
Refrigerator Backer Panel	714 mm	1221 mm
Freezer Overlay Panel	722 mm	475 mm
Freezer Spacer Panel	699 mm	451 mm
Freezer Backer Panel	714 mm	467 mm
Window Cut-out Dimensions	494 mm	1000 mm
Window Cut-out Location	C) 114 mm	D) 127 mm

Model I650	W	H
Refrigerator Overlay Panel	875 mm	1241 mm
Refrigerator Spacer Panel	851 mm	1205 mm
Refrigerator Backer Panel	867 mm	1221 mm
Freezer Overlay Panel	875 mm	475 mm
Freezer Spacer Panel	851 mm	451 mm
Freezer Backer Panel	867 mm	467 mm

Model I650G	W	H
Refrigerator Overlay Panel	875 mm	1241 mm
Refrigerator Spacer Panel	851 mm	1205 mm
Refrigerator Backer Panel	867 mm	1221 mm
Freezer Overlay Panel	875 mm	475 mm
Freezer Spacer Panel	851 mm	451 mm
Freezer Backer Panel	867 mm	467 mm
Window Cut-out Dimensions	646 mm	1000 mm
Window Cut-out Location	C) 114 mm	D) 127 mm

**IMPORTANT NOTE:** Panel specifications are for Built-In overlay (O) models.





BUILT-IN

### OVERLAY DOOR PANEL SPECIFICATIONS

#### Side-by-Side Overlay (O) Models

Model I661	W	H
Refrigerator Overlay Panel	494 mm	1727 mm
Refrigerator Spacer Panel	470 mm	1703 mm
Refrigerator Backer Panel	486 mm	1719 mm
Freezer Overlay Panel	379 mm	1727 mm
Freezer Spacer Panel	356 mm	1703 mm
Freezer Backer Panel	371 mm	1719 mm

Model I642	W	H
Refrigerator Overlay Panel	618 mm	1727 mm
Refrigerator Spacer Panel	594 mm	1703 mm
Refrigerator Backer Panel	610 mm	1719 mm
Freezer Overlay Panel	405 mm	1727 mm
Freezer Spacer Panel	381 mm	1703 mm
Freezer Backer Panel	397 mm	1719 mm

Model I685	W	H
Refrigerator Overlay Panel	618 mm	1727 mm
Refrigerator Spacer Panel	594 mm	1703 mm
Refrigerator Backer Panel	610 mm	1719 mm
Freezer Overlay Panel	405 mm	1727 mm
Freezer Spacer Panel	381 mm	1703 mm
Freezer Backer Panel	397 mm	1719 mm

Glasswell Cut-out Dimensions	W	H
Glasswell Location (Overlay)	E) 43 mm	F) 730 mm
Glasswell Location (Spacer)	E) 31 mm	F) 718 mm
Glasswell Location (Backer)	E) 39 mm	F) 726 mm

Model I632	W	H
Refrigerator Overlay Panel	711 mm	1727 mm
Refrigerator Spacer Panel	687 mm	1703 mm
Refrigerator Backer Panel	703 mm	1719 mm
Freezer Overlay Panel	464 mm	1727 mm
Freezer Spacer Panel	440 mm	1703 mm
Freezer Backer Panel	456 mm	1719 mm

Model I695	W	H
Refrigerator Overlay Panel	711 mm	1727 mm
Refrigerator Spacer Panel	687 mm	1703 mm
Refrigerator Backer Panel	703 mm	1719 mm
Freezer Overlay Panel	464 mm	1727 mm
Freezer Spacer Panel	440 mm	1703 mm
Freezer Backer Panel	456 mm	1719 mm

Glasswell Cut-out Dimensions	W	H
Glasswell Location (Overlay)	E) 43 mm	F) 730 mm
Glasswell Location (Spacer)	E) 31 mm	F) 718 mm
Glasswell Location (Backer)	E) 39 mm	F) 726 mm

**IMPORTANT NOTE:** Panel specifications are for Built-In overlay (O) models.

For Models I685 and I695, panel thickness in the glasswell area can range from 6 mm to a maximum of 29 mm. If the panel is thicker, you must rout out a minimum 6 mm flat landing area to accommodate the bezel surrounding the glasswell.

### OVERLAY GRILLE PANEL

#### Overlay (O) Models Width Dimensions

Models I611 and I611G	W
Overlay Panel Width	722 mm
Spacer Panel Width	699 mm
Backer Panel Width	714 mm

Models I650, I650G, I661	W
Overlay Panel Width	875 mm
Spacer Panel Width	851 mm
Backer Panel Width	867 mm

Models I642 and I685	W
Overlay Panel Width	1027 mm
Spacer Panel Width	1003 mm
Backer Panel Width	1019 mm

Models I632 and I695	W
Overlay Panel Width	1180 mm
Spacer Panel Width	1156 mm
Backer Panel Width	1172 mm

#### Height Dimensions

254 mm Grille	H
Overlay Panel Height	235 mm
Spacer Panel Height	211 mm
Backer Panel Height	227 mm

279 mm Grille (standard)	H
Overlay Panel Height	260 mm
Spacer Panel Height	237 mm
Backer Panel Height	252 mm

305 mm Grille Height	H
Overlay Panel Height	286 mm
Spacer Panel Height	262 mm
Backer Panel Height	278 mm

330 mm Grille	H
Overlay Panel Height	311 mm
Spacer Panel Height	287 mm
Backer Panel Height	303 mm

356 mm Grille	H
Overlay Panel Height	337 mm
Spacer Panel Height	313 mm
Backer Panel Height	329 mm

381 mm Grille	H
Overlay Panel Height	362 mm
Spacer Panel Height	338 mm
Backer Panel Height	354 mm

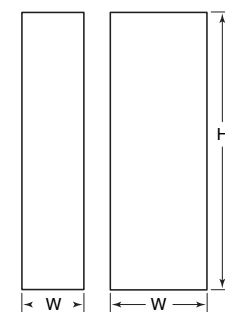
For grille panel size, use width dimensions listed for your model and height dimensions for grille option. 279 mm grille is standard.

Panel grille is available for all overlay units except Models I601R, I601RG and I601F.

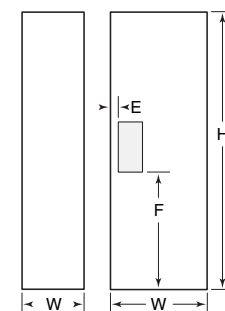
### OVERLAY PANELS

Panel specifications are for Built-In overlay (O) models.

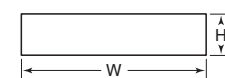
To install overlay panels, see the detailed procedures outlined in the Sub-Zero Built-In Installation Guide.



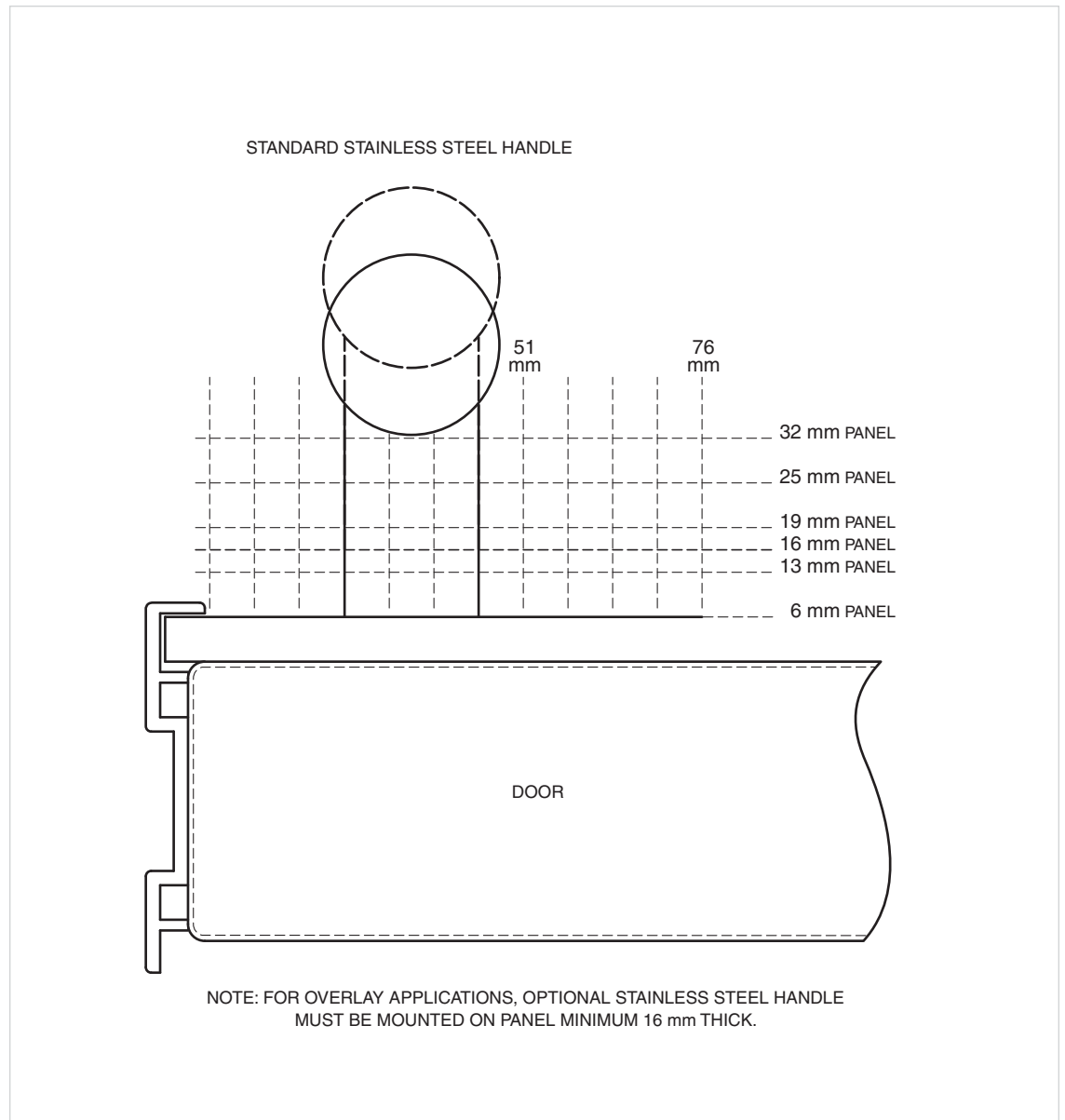
Models I661, I642 and I632



Models I685 and I695



Overlay grille panel



The full-scale illustration above shows handle placement for the standard stainless steel handle on the wrapped stainless steel door and on overlay panel applications shown in the dashed line.

**IMPORTANT NOTE:** For overlay applications, the panel must be a minimum of 16 mm thick to support mounting the handle hardware.

For overlay applications, mount door handles close to the opening edge of the door for ease of opening.



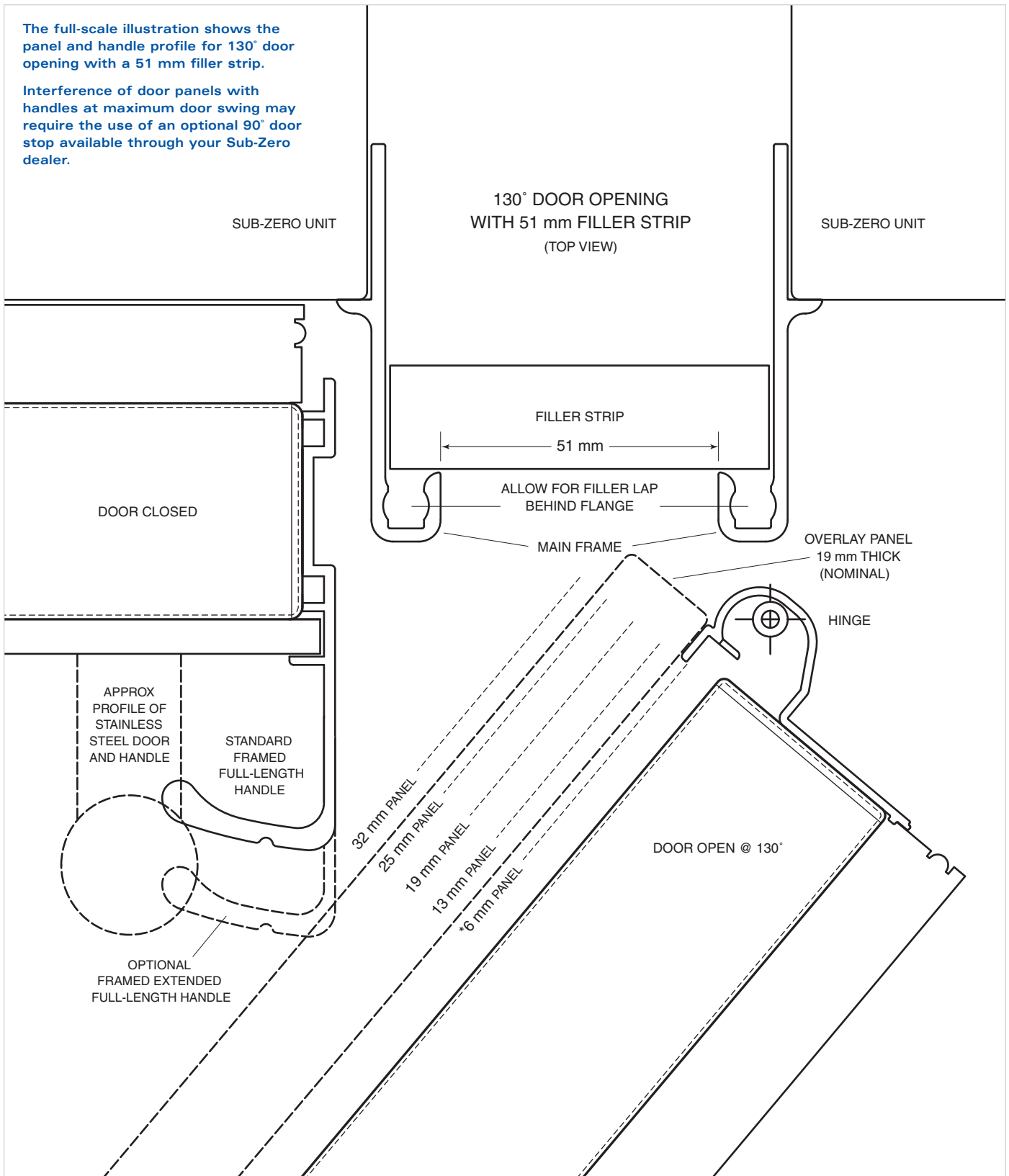


BUILT-IN

## PANEL AND HANDLE PROFILE – 130° DOOR OPENING

The full-scale illustration shows the panel and handle profile for 130° door opening with a 51 mm filler strip.

Interference of door panels with handles at maximum door swing may require the use of an optional 90° door stop available through your Sub-Zero dealer.



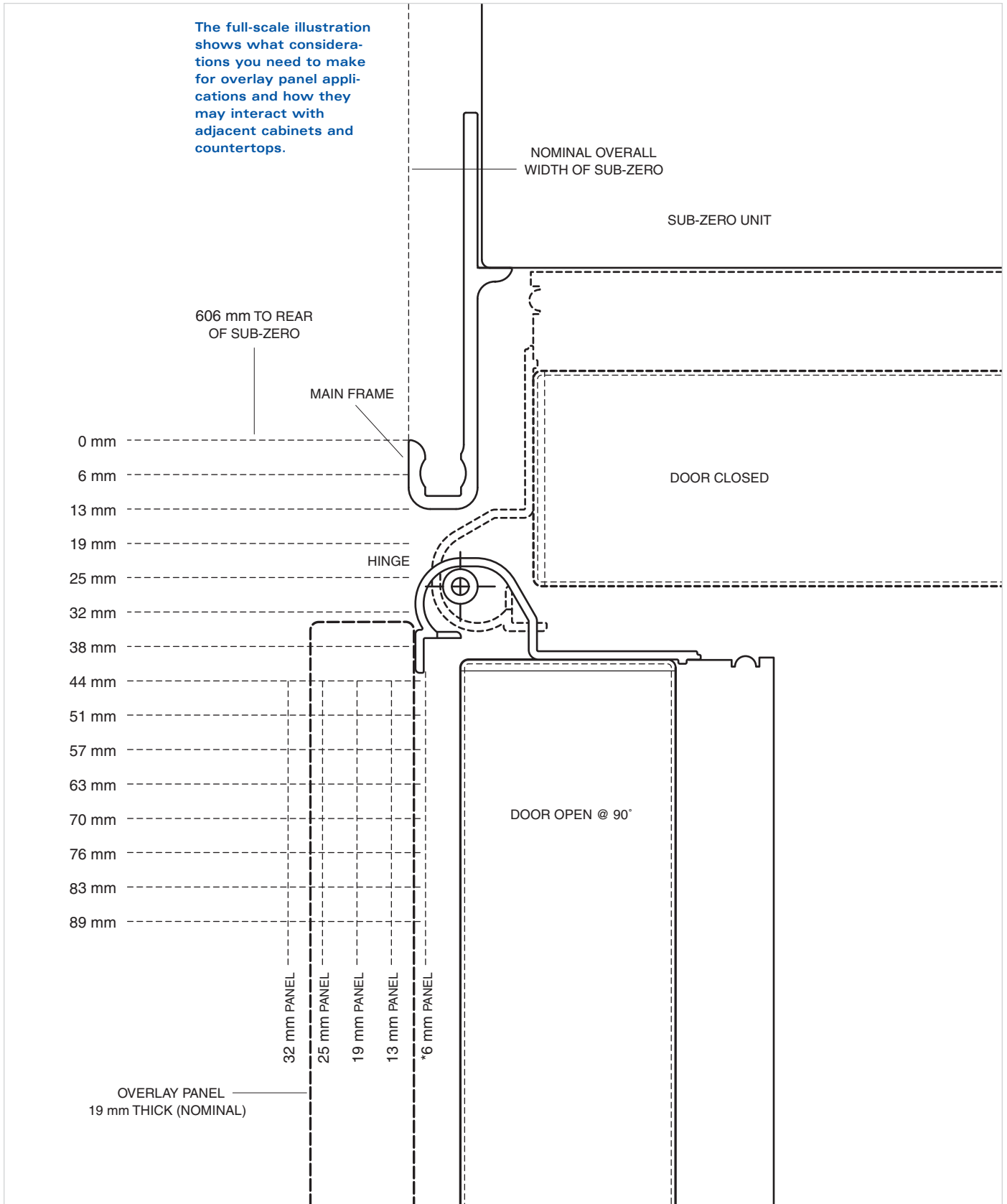
\*Approximate thickness of wrapped stainless steel door.



BUILT-IN

### OVERLAY PANEL APPLICATION - 90° DOOR OPENING (TOP VIEW)

The full-scale illustration shows what considerations you need to make for overlay panel applications and how they may interact with adjacent cabinets and countertops.



\*Approximate thickness of wrapped stainless steel door.



INTEGRATED

## INTEGRATED REFRIGERATION

For generations, the Sub-Zero name has been synonymous with built-in refrigeration. With the Integrated line, we've taken the idea a step further—refrigerators and freezers you can hide anywhere in the house, inside the furniture or cabinetry of your choosing.

Created to blend invisibly into your home's decor, the Integrated line lets you integrate refrigeration into the kitchen, master suite, media room or workout room. Available as tall units or two-drawer base units, the Integrated line expands the possibilities for the way you shape your home.

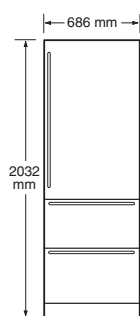
Tall units are 2032 mm high and offered in two different widths—686 mm and 914 mm. The 686 mm wide tall unit can be ordered as an all refrigerator, all freezer or combination refrigerator (upper cabinet) and freezer (drawers). The 914 mm wide tall unit is offered as an all refrigerator or combination unit. All of these models are 610 mm deep.

Base units are offered in the 686 mm width only. They can be ordered as an all refrigerator, all freezer or combination refrigerator (top drawer) and freezer (bottom drawer). Base units are 876 mm high and 610 mm deep.

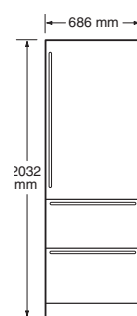
You just need to add whatever beautiful cabinetry you want to use. Optional classic stainless steel panels with tubular handles are available as sales accessories.

For information regarding specific Integrated models, refer to the illustrations in this section.

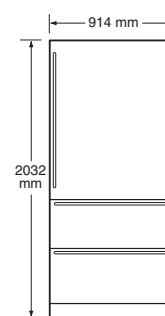
## ALL REFRIGERATOR | ALL FREEZER



**MODEL 1700TR**  
*All Refrigerator*



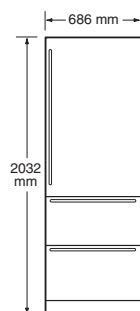
**MODEL 1700TFI**  
*All Freezer*



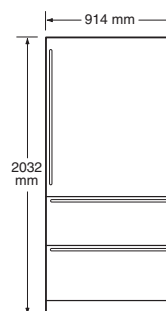
**MODEL 1736TR**  
*All Refrigerator*

NEW

## OVER-AND-UNDER

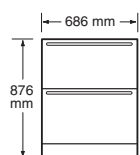


**MODEL 1700TCI**  
*Refrigerator | Freezer*

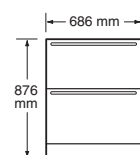


**MODEL 1736TCI**  
*Refrigerator | Freezer*

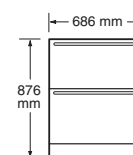
## DRAWERS



**MODEL 1700BR**  
*All Refrigerator*



**MODEL 1700BFI**  
*All Freezer*



**MODEL 1700BCI**  
*Refrigerator | Freezer*

Comprehensive installation instructions are shipped with each model. Refer to those instructions in preparing and installing all Sub-Zero products. The instructions can also be found on our website, [subzero.com](http://subzero.com).



With the installation of a harness kit, tall models are Star-K compliant to meet strict religious regulations in conjunction with specific instructions found on [www.star-k.org](http://www.star-k.org). Drawer models are Star-K certified from the factory with no extra wiring harness required. For details about the harness kit, contact your Sub-Zero dealer.



INTEGRATED

### MODEL I700TR

ALL REFRIGERATOR

#### SPECIFICATIONS

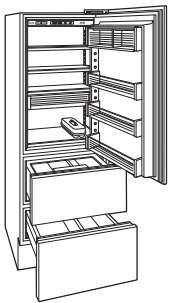
Overall Width	<b>686 mm</b>
Overall Height	<b>2032 mm</b>
Overall Depth	<b>610 mm</b>
Refrigerator Capacity	<b>439 L</b>
Min Height Required	<b>2019 mm</b>
Door Swing Clearance	<b>648 mm</b>
Specify Door Swing	<b>LH or RH</b>
Drawer Clearance	<b>495 mm</b>
Shipping Weight	<b>163 kg</b>

#### REFRIGERATOR FEATURES

- Dual Refrigeration
- 2 Temperature Zones
- 3 Adjustable Glass Shelves
- 1 Stationary Shelf
- 2 Storage Drawers
- Removable Crisper Cover
- 2 Removable Drawer Dividers
- Adjustable Deli Drawer
- 3 Adjustable Door Shelves
- Adjustable Dairy Compartment
- Egg Container

#### PANEL OPTIONS

- Integrated
- Classic stainless steel finish (includes handles)\*



MODEL I700TR

### MODEL I736TR

NEW

ALL REFRIGERATOR

#### SPECIFICATIONS

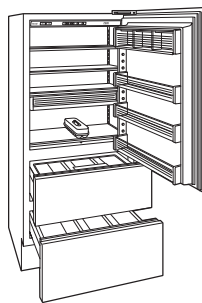
Overall Width	<b>914 mm</b>
Overall Height	<b>2032 mm</b>
Overall Depth	<b>610 mm</b>
Refrigerator Capacity	<b>595 L</b>
Min Height Required	<b>2019 mm</b>
Door Swing Clearance	<b>876 mm</b>
Specify Door Swing	<b>LH or RH</b>
Drawer Clearance	<b>495 mm</b>
Shipping Weight	<b>218 kg</b>

#### REFRIGERATOR FEATURES

- Dual Refrigeration
- 2 Temperature Zones
- 3 Adjustable Glass Shelves
- 1 Stationary Shelf
- 2 Storage Drawers
- Removable Crisper Cover
- 4 Removable Drawer Dividers
- Adjustable Deli Drawer
- 3 Adjustable Door Shelves
- Adjustable Dairy Compartment
- Egg Container

#### PANEL OPTIONS

- Integrated
- Classic stainless steel finish (includes handles)\*



MODEL I736TR

### MODEL I700TFI

ALL FREEZER

#### SPECIFICATIONS

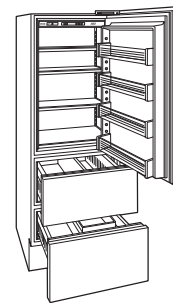
Overall Width	<b>686 mm</b>
Overall Height	<b>2032 mm</b>
Overall Depth	<b>610 mm</b>
Freezer Capacity	<b>433 L</b>
Min Height Required	<b>2019 mm</b>
Door Swing Clearance	<b>648 mm</b>
Specify Door Swing	<b>LH or RH</b>
Drawer Clearance	<b>495 mm</b>
Shipping Weight	<b>163 kg</b>

#### FREEZER FEATURES

- 1 Temperature Zone
- 3 Adjustable Glass Shelves
- 1 Stationary Shelf
- 2 Storage Drawers
- 1 Removable Drawer Divider
- 4 Adjustable Door Shelves
- Automatic Defrost
- Automatic Ice Maker

#### PANEL OPTIONS

- Integrated
- Classic stainless steel finish (includes handles)\*



MODEL I700TFI



INTEGRATED

## MODEL I700TCI

OVER-AND-UNDER

### SPECIFICATIONS

Overall Width	<b>686 mm</b>
Overall Height	<b>2032 mm</b>
Overall Depth	<b>610 mm</b>
Refrigerator Capacity	<b>289 L</b>
Freezer Capacity	<b>144 L</b>
Min Height Required	<b>2019 mm</b>
Door Swing Clearance	<b>648 mm</b>
Specify Door Swing	<b>LH or RH</b>
Drawer Clearance	<b>495 mm</b>
Shipping Weight	<b>163 kg</b>

### REFRIGERATOR (DOOR)

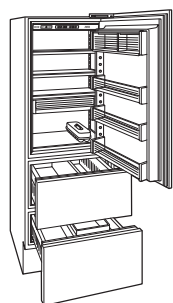
Dual Refrigeration  
**3** Adjustable Glass Shelves  
**1** Stationary Shelf  
 Adjustable Deli Drawer  
**3** Adjustable Door Shelves  
 Adjustable Dairy Compartment  
 Egg Container

### FREEZER (DRAWERS)

**1** Removable Drawer Divider  
 Automatic Defrost  
 Automatic Ice Maker

### PANEL OPTIONS

Integrated  
 Classic stainless steel finish  
 (includes handles)\*



MODEL I700TCI

## MODEL I736TCI

OVER-AND-UNDER

### SPECIFICATIONS

Overall Width	<b>914 mm</b>
Overall Height	<b>2032 mm</b>
Overall Depth	<b>610 mm</b>
Refrigerator Capacity	<b>383 L</b>
Freezer Capacity	<b>195 L</b>
Min Height Required	<b>2019 mm</b>
Door Swing Clearance	<b>876 mm</b>
Specify Door Swing	<b>LH or RH</b>
Drawer Clearance	<b>495 mm</b>
Shipping Weight	<b>218 kg</b>

### REFRIGERATOR (DOOR)

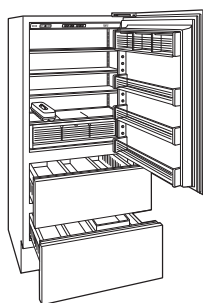
Dual Refrigeration  
**3** Adjustable Glass Shelves  
**1** Stationary Shelf  
 High-Humidity Crisper Drawer with Dividers  
**3** Adjustable Door Shelves  
 Adjustable Dairy Compartment  
 Egg Container

### FREEZER (DRAWERS)

**1** Removable Drawer Divider  
 Automatic Defrost  
 Automatic Ice Maker

### PANEL OPTIONS

Integrated  
 Classic stainless steel finish  
 (includes handles)\*



MODEL I736TCI

*\*Optional stainless steel panels and handles are ordered and shipped as sales accessories.*

### ACCESSORIES

Contact your Sub-Zero Dealer

**Classic stainless steel front panels**

**Tubular handles in classic stainless steel**

**High-humidity crisper drawer and shelf assembly\***

**Adjustable deli drawer and shelf assembly\***

**Crisper cover with lid\***

**Dozen egg container with lid\***

**Dual installation heater kit**

**Harness kit for Star-K compliance**

*\*Accessory is not available for every model.*



INTEGRATED

### MODEL I700BR

REFRIGERATOR DRAWERS

#### SPECIFICATIONS

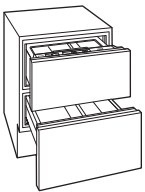
Overall Width	<b>686 mm</b>
Overall Height	<b>876 mm</b>
Overall Depth	<b>610 mm</b>
Refrigerator Capacity	<b>150 L</b>
Min Height Required	<b>864 mm</b>
Drawer Clearance	<b>495 mm</b>
Shipping Weight	<b>86 kg</b>

#### REFRIGERATOR FEATURES

- 1 Temperature Zone
- 2 Storage Drawers
- Removable Crisper Cover
- 2 Removable Drawer Dividers

#### PANEL OPTIONS

Integrated  
 Classic stainless steel finish  
 (includes handles)\*



MODEL I700BR

### MODEL I700BFI

FREEZER DRAWERS

#### SPECIFICATIONS

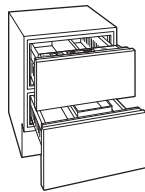
Overall Width	<b>686 mm</b>
Overall Height	<b>876 mm</b>
Overall Depth	<b>610 mm</b>
Freezer Capacity	<b>144 L</b>
Min Height Required	<b>864 mm</b>
Drawer Clearance	<b>495 mm</b>
Shipping Weight	<b>86 kg</b>

#### FREEZER FEATURES

- 1 Temperature Zone
- 2 Storage Drawers
- 1 Removable Drawer Divider
- Automatic Defrost
- Automatic Ice Maker

#### PANEL OPTIONS

Integrated  
 Classic stainless steel finish  
 (includes handles)\*



MODEL I700BFI

### MODEL I700BCI

REFRIGERATOR | FREEZER DRAWERS

#### SPECIFICATIONS

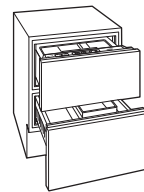
Overall Width	<b>686 mm</b>
Overall Height	<b>876 mm</b>
Overall Depth	<b>610 mm</b>
Refrigerator Capacity	<b>82 L</b>
Freezer Capacity	<b>59 L</b>
Min Height Required	<b>864 mm</b>
Drawer Clearance	<b>495 mm</b>
Shipping Weight	<b>86 kg</b>

#### FEATURES

- 2 Temperature Zones
- 2 Storage Drawers
- Removable Crisper Cover
- 1 Removable Drawer Divider
- Automatic Ice Maker

#### PANEL OPTIONS

Integrated  
 Classic stainless steel finish  
 (includes handles)\*



MODEL I700BCI

*\*Optional stainless steel panels and handles are ordered and shipped as sales accessories.*

ACCESSORIES  
 Contact your Sub-Zero Dealer

**Front panels in classic stainless steel**

**Tubular handles in classic stainless steel**

**Crisper cover with lid\***

**Dozen egg container with lid\***

**Dual installation heater kit**

*\*Accessory is not available for every model.*



## INTEGRATED FEATURES

All Integrated models accept wood or stainless steel panels. The optional stainless steel panels and handles are available in classic stainless steel at the 2032 mm and 2134 mm height. Stainless steel panels are ordered and shipped as sales accessories.

**Functional Design.** These models can be placed anywhere in the home. Think about “point-of-use refrigeration” when planning where to place your units.

**Integrated Design.** All Sub-Zero models are 610 mm deep. Tall Integrated units are 2032 mm high and are offered in two different widths—686 mm and 914 mm. All base units are 686 mm wide and 876 mm high.

**Microprocessor.** The “brains” of the Integrated units, this computer allows the best in temperature control, efficiency and food preservation.

**Temperature Zones.** On tall refrigerator and combination units, you have the flexibility of having two temperatures within the same unit.

**Automatic Defrost.** Depending on usage and exact climate, the Integrated unit will adapt to the unique situation and adjust accordingly to offer greater efficiency. Integrated freezer and combination units have an automatic defrost system.

**Kickplate.** The adjustable solid kickplate meets standards of the American Institute of Architects. The toe kick area for a solid, decorative kickplate is 102 mm high by 76 mm deep. You can show a 254 mm toe kick, but you cannot cover the louvers of the kickplate. If you choose, the kickplate can be painted.

**Front Venting.** All models have the mechanical equipment in an area below the lower drawer. The lower drawer panel can extend to cover these louvers, but a removable decorative kickplate cannot cover the fins.

**Lighting.** Flat to the ceiling, superior lighting provides white, efficient light in cabinet and drawer units.

**Door/Drawer Alarm.** When activated, if your door or drawer is accidentally left open for more than 30 seconds, an audible alarm will sound.

**Spill-Proof Shelves.** The cabinet section of the tall units features adjustable spill-proof one-piece glass shelves that are easily removed for cleaning.

**Dairy Shelf.** This magnetically sealed compartment is fully adjustable on the tall refrigerator and combination units.

**Crisper Cover.** On the tall and base refrigerator units and the base combination unit, a removable crisper cover is offered for one of the drawer sections.

**Deli Drawer.** Smaller items are not lost in this handy feature of the Models I700TR and I700TCI. Available as a sales accessory for Model I736TCI.

**Crisper—Model I736TCI.** Model I736TCI is equipped with a sealed crisper. It is large and deep, with smooth sides for easy cleaning. The space features removable dividers.

**Egg Container.** You can store a dozen eggs in this removable egg container with lid in the tall refrigerator and tall combination units.

**Ice Maker.** An automatic ice maker, providing crescent-shaped ice, is available as an option on the tall and base freezers as well as the tall and base combination units. This optional equipment must be factory installed.

**Door Swing.** You can choose left or right door swing on the tall units. This option must be ordered when requesting the unit. You cannot reverse the door in the field.

**Dual-Action Hinge.** An exclusive dual-action hinge is featured on all of the tall units, allowing for a fully integrated look.

**Door Stop.** On all of the tall units, a 90° door stop is built in to the hinge. Normal door swing is 105°.

**Temperature Zones.** With the microprocessor in the Integrated models, you have the capability of setting different optimum temperatures.

## ACCESSORIES

Optional accessories are available through your Sub-Zero dealer.

## TEMPERATURE ZONES

**Model I700BR – One zone,  
1°C to 7°C**

**Models I700TR and I736TR –  
Two zones, 1°C to 7°C**

**Models I700BFI and I700TFI –  
One zone, -21°C to -15°C**

**Model I700TFI – One zone,  
-21°C to -15°C**

**Model I700BCI – Two zones,  
1°C to 7°C top drawer;  
-21°C to -15°C bottom drawer**

**Models I700TCI and I736TCI –  
Two zones, 1°C to 7°C cabinet;  
-21°C to -15°C drawers**



INTEGRATED

## PLANNING INFORMATION

Before moving the Integrated unit into place, be sure that the finished opening dimensions, electrical and plumbing locations and minimum door and drawer clearances are accurate. Refer to the Installation Specifications illustration for your model on the following pages. Be sure your installer has this information before finishing work is completed.

## INSTALLATION

Refer to the installation instructions shipped with each Sub-Zero product for detailed specifications.

Integrated models without an automatic ice maker will not require the plumbing connections shown in the illustrations.

The height of the tall unit is set at 2032 mm. You can allow the top of the door panel to exceed this dimension with caution. If you are working with 2134 mm or 2438 mm neighboring panels, you can utilize door panels to match this height. Other critical dimensions regarding the door swing, drawer openings and toe kick clearance are noted in the Overall Dimensions illustrations on the following pages. Also refer to the full-scale illustrations at the end of this section for specifics on door openings and other specifications.

**IMPORTANT NOTE:** The anti-tip bracket must be installed to prevent the unit from tipping forward.

## ELECTRICAL REQUIREMENTS

International models from the factory designed without a transformer require a 220/240 V AC, 50/60 Hz electrical supply, fused at the correct rating for the unit. If required by local or national codes, the power cord can be easily replaced using the power inlet device.

International models using a factory installed transformer require a 220/240 V AC, 50/60 Hz electrical supply, fused at the correct rating for the unit. These models will come equipped with Schuko power cords. The power cord may need to be replaced depending on local and national codes. The USA power cord that is supplied with the product must be disconnected with the appropriate transformer output to be connected in its place.

**IMPORTANT NOTE:** The electrical outlet must be grounded. The outlet must be flush with the back wall. Refer to the Installation Specifications illustration for your model for exact placement.

**IMPORTANT NOTE:** A ground fault circuit interrupter (GFCI) is not recommended and may cause interruption of operation.

## ⚠ WARNING

**Do not use an extension cord or 2-prong adapter. Electrical ground is required.**

**Do not under any circumstances remove the power supply cord ground prong.**

## PLUMBING CONSIDERATIONS

For models with an automatic ice maker, rough in the water supply line. Connect a 6.35 mm OD copper line to the house supply, being sure to use an easily accessible shut-off valve between the supply and the unit. This shut-off valve should not be installed behind the unit.

Do not use self-piercing valves. A saddle valve kit (4200880) is available from your Sub-Zero dealer. An in-line filter is required when water conditions have a high sediment content. The ice maker operates on constant water pressure between 1.4 bar and 6.9 bar.

**IMPORTANT NOTE:** In some cases, a reverse osmosis water filter system may not be able to maintain the minimum pressure consistently.

The Installation Specifications illustration for your model on the following pages shows the precise placement of the water line. When routing the water through the side walls, you must place the water line within 13 mm of the floor and as close as possible to the back wall. The line must be routed around the anti-tip bracket so it clears the bracket and the leveling feet of the unit as shown in the top view of the illustration. Regardless of the routing, allow for 686 mm of excess copper tubing to remain outside the wall or floor for easy connection to the unit.

**IMPORTANT NOTE:** Do not route water supply line in front of the compressor tray. The tray must be slid forward for service.

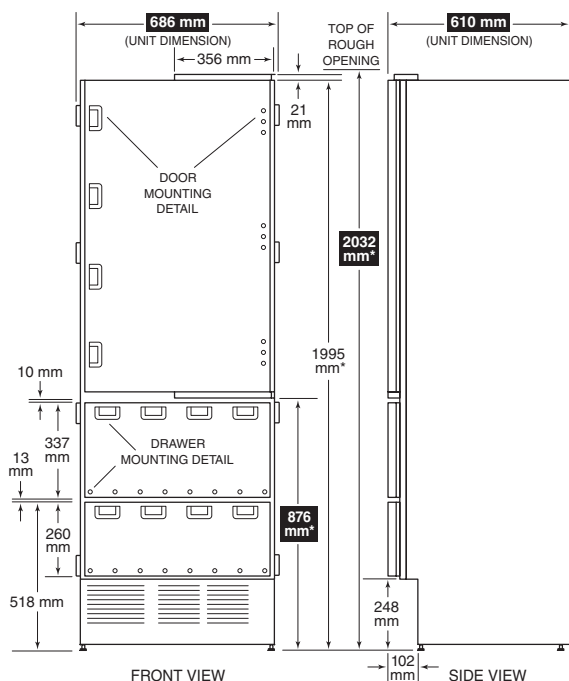




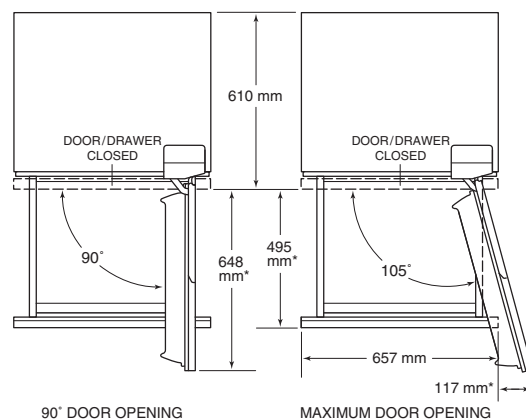
INTEGRATED

## OVERALL DIMENSIONS

Models 1700TR, 1700TFI and 1700TCI



\*13 mm ± ADJUSTMENT IN LEVELING LEGS



\*DOOR/DRAWER PANEL THICKNESS NOT INCLUDED - DIMENSION WILL VARY WITH INSTALLATION

ALL REFRIGERATOR  
ALL FREEZER

**Model 1700TR**  
All Refrigerator

**Model 1700TFI**  
All Freezer  
with Ice Maker

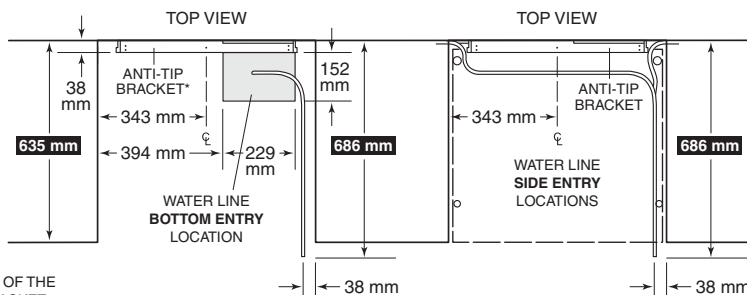
OVER-AND-UNDER  
Refrigerator / Freezer

**Model 1700TCI**  
with Ice Maker

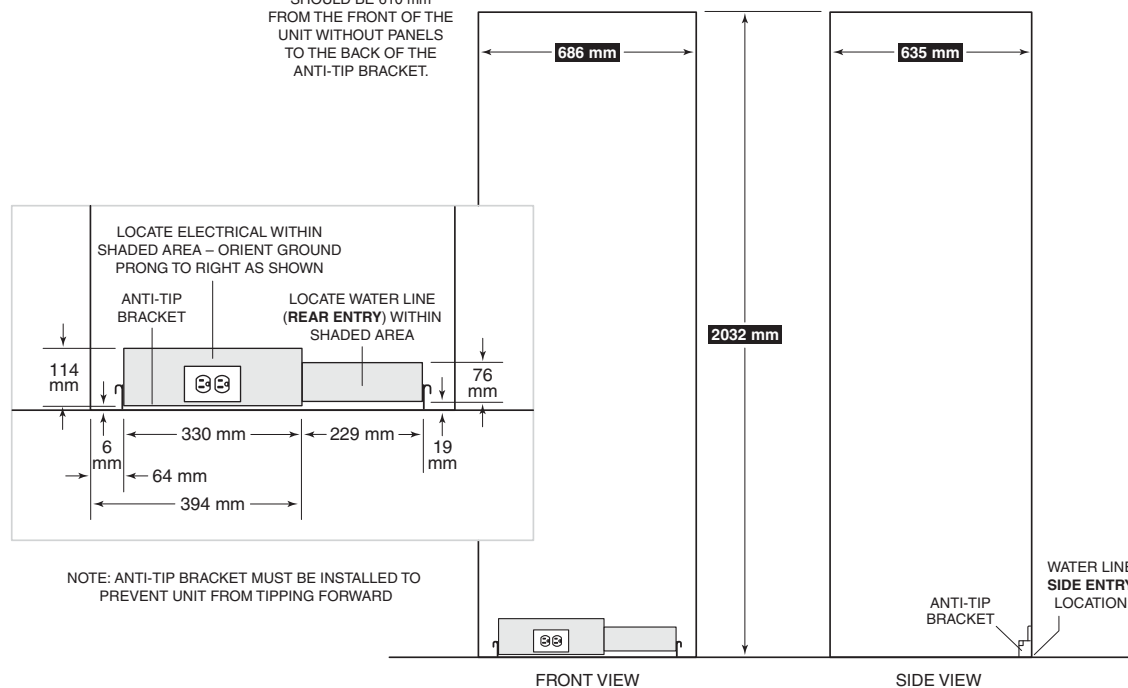
## INSTALLATION SPECIFICATIONS

Models 1700TR, 1700TFI and 1700TCI

Models without an ice maker will not require the water line connection.



\*PLACEMENT OF THE ANTI-TIP BRACKET SHOULD BE 610 mm FROM THE FRONT OF THE UNIT WITHOUT PANELS TO THE BACK OF THE ANTI-TIP BRACKET.



NOTE: ANTI-TIP BRACKET MUST BE INSTALLED TO PREVENT UNIT FROM TIPPING FORWARD

MODEL 1700TR  
MODEL 1700TFI  
MODEL 1700TCI

### Overall Dimensions

Width 686 mm  
Height 2032 mm  
Depth 610 mm

### Finished Opening

Width 686 mm  
Height 2032 mm  
Depth 635 mm\*

\*The depth of the unit is 610 mm from the front of the unit to its back. Your design may necessitate moving the unit back or cabinets forward to achieve a flush fit. This will require a minimum rough opening depth of 635 mm.



INTEGRATED

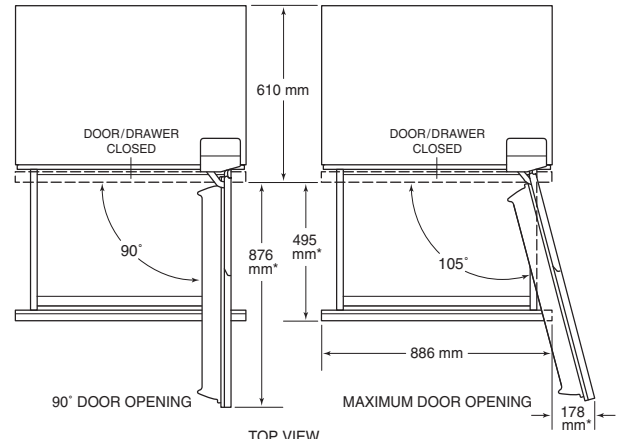
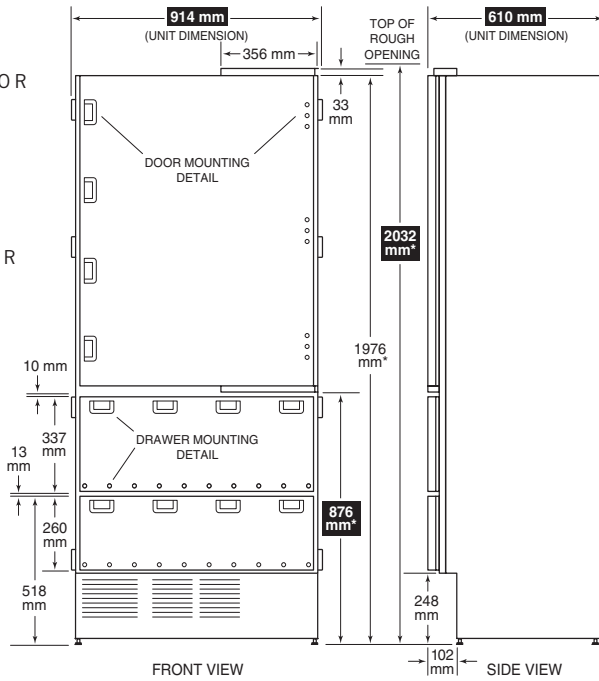
OVERALL DIMENSIONS  
Models I736TR and I736TCI

ALL REFRIGERATOR

Model I736TR  
All Refrigerator

OVER-AND-UNDER  
Refrigerator / Freezer

Model I736TCI  
with Ice Maker



\*DOOR/DRAWER PANEL THICKNESS NOT INCLUDED - DIMENSION WILL VARY WITH INSTALLATION

\*13 mm ± ADJUSTMENT IN LEVELING LEGS

MODEL I736TR  
MODEL I736TCI

Overall Dimensions

Width 914 mm  
Height 2032 mm  
Depth 610 mm

Finished Opening

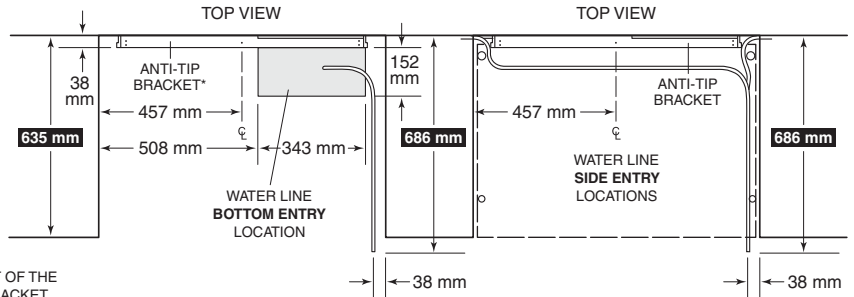
Width 914 mm  
Height 2032 mm  
Depth 635 mm\*

\*The depth of the unit is 610 mm from the front of the unit to its back. Your design may necessitate moving the unit back or cabinets forward to achieve a flush fit. This will require a minimum rough opening depth of 635 mm.

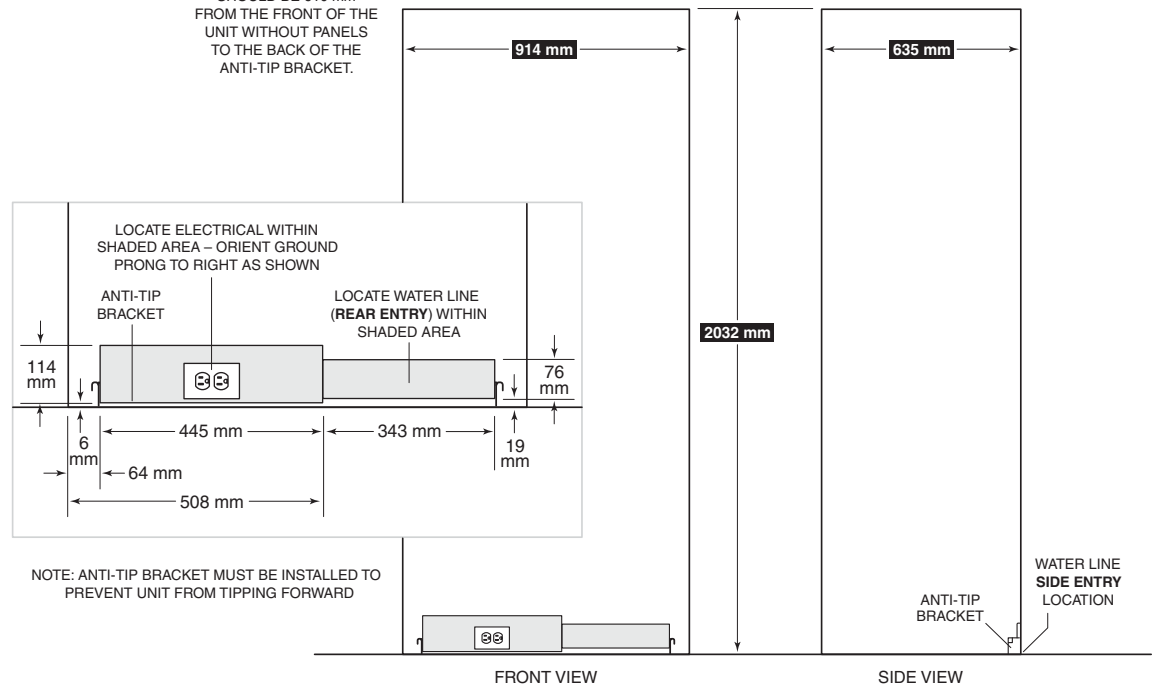
INSTALLATION  
SPECIFICATIONS

Models I736TR and I736TCI

Models without an ice maker will not require the water line connection.



\*PLACEMENT OF THE ANTI-TIP BRACKET SHOULD BE 610 mm FROM THE FRONT OF THE UNIT WITHOUT PANELS TO THE BACK OF THE ANTI-TIP BRACKET.



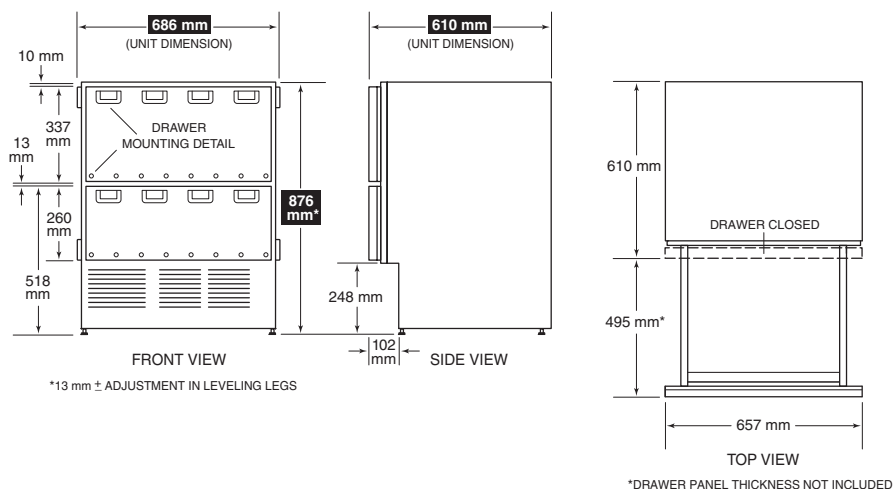
NOTE: ANTI-TIP BRACKET MUST BE INSTALLED TO PREVENT UNIT FROM TIPPING FORWARD



INTEGRATED

## OVERALL DIMENSIONS

Models I700BR, I700BFI and I700BCI



## DRAWERS

**Model I700BR**  
All Refrigerator

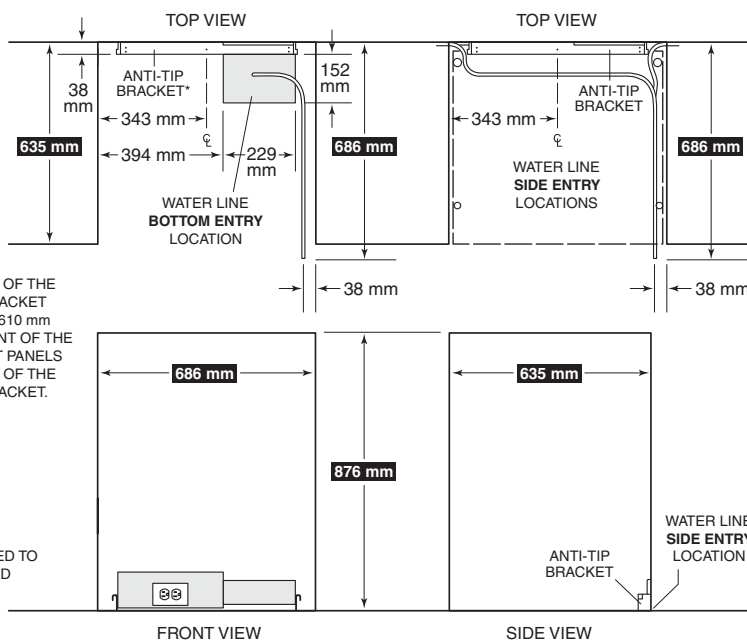
**Model I700BFI**  
All Freezer  
with Ice Maker

**Model I700BCI**  
Refrigerator / Freezer  
with Ice Maker

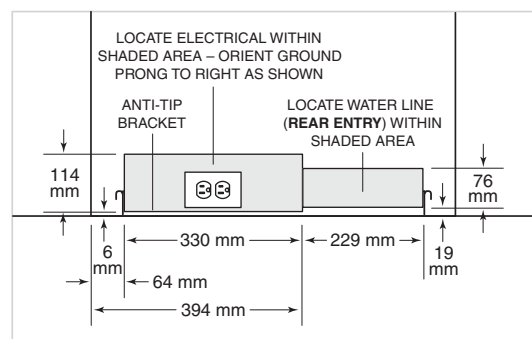
## INSTALLATION SPECIFICATIONS

Models I700BR, I700BFI and I700BCI

Models without an ice maker will not require the water line connection.



NOTE: ANTI-TIP BRACKET MUST BE INSTALLED TO PREVENT UNIT FROM TIPPING FORWARD



MODEL I700BR  
MODEL I700BFI  
MODEL I700BCI

## Overall Dimensions

Width **686 mm**  
Height **876 mm**  
Depth **610 mm**

## Finished Opening

Width **686 mm**  
Height **876 mm**  
Depth **635 mm\***

\*The depth of the unit is 610 mm from the front of the unit to its back. Your design may necessitate moving the unit back or cabinets forward to achieve a flush fit. This will require a minimum rough opening depth of 635 mm.

## INSTALLATION

Refer to the installation instructions shipped with each Sub-Zero product for detailed specifications.



### CABINETY APPLICATIONS

Integrated refrigeration is compatible with virtually any style and look of cabinetry. The models can be used with framed as well as frameless cabinets. Because of the precise application and the look you may want to achieve, there are important questions you need to answer before ordering panels for the doors/drawers. As you look at styles of cabinets, keep some important facts in mind:

#### PANEL REQUIREMENTS

Door and drawer panels must be a minimum of 16 mm thick.

The door panel cannot exceed 18 kg and each drawer panel must not exceed 5 kg for 686 mm wide units. For 914 mm wide units, the door panel weight limit is 24 kg and 7 kg for each drawer panel.

**IMPORTANT NOTE:** The depth of each Integrated model is 610 mm from the front of the unit to its back. You **must** allow for the thickness of the panel you are applying when planning for the finished rough opening depth if you want the front panel to be flush with surrounding cabinetry. You **must** move the unit back into drywall or bring the cabinets forward to achieve a flush fit.

The height of the door panel can grow beyond 1153 mm and exceed the 2032 mm overall height as long as you stay below the recommended door panel weight limit.

The toe kick clearance can vary with the height of the lower drawer panel; the maximum panel height is 424 mm. You must keep a minimum space of 102 mm clear below the bottom edge of the lower drawer panel so the unit can be properly vented.

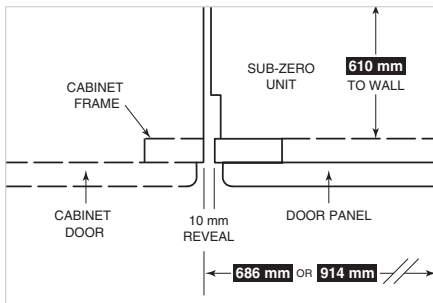
We recommend using D-style handles. For the cabinet door, handles must be located near the edge of the panel opposite the hinge, centered top to bottom. Locate handles in the top center area of the drawer panels.

**IMPORTANT NOTE:** The inside edges of the rough opening, as well as the sides and a portion of the backside of the decorative panels will need to be finished, as they will be exposed when the doors are open.

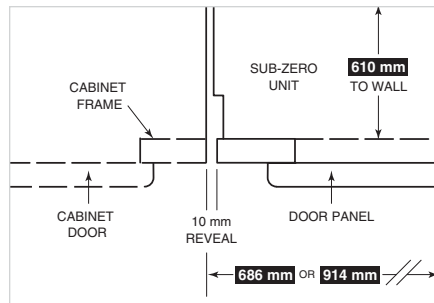
### FRAMED CABINETY

Framed cabinetry applications present you with different questions to address. The illustrations below show common applications of framed cabinetry. These are not meant to be the only alternatives, but are suggestions from designers around the country. Also refer to the full-scale illustrations at the end of this section for specifics on door openings.

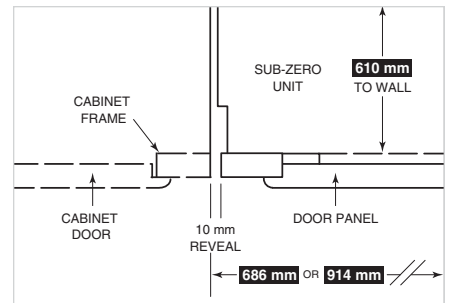
**NOTE:** In the illustrations below, the first width dimension shown is for 686 mm wide units and the second dimension is for 914 mm wide units.



Traditional frame - full overlay (top view)



Traditional frame - standard overlay (top view)



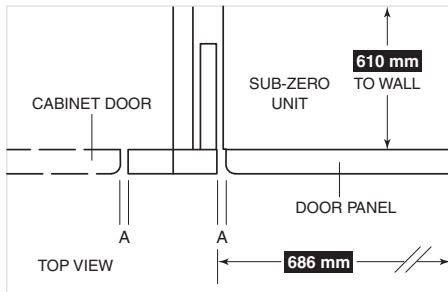
Traditional frame - 10 mm offset (top view)



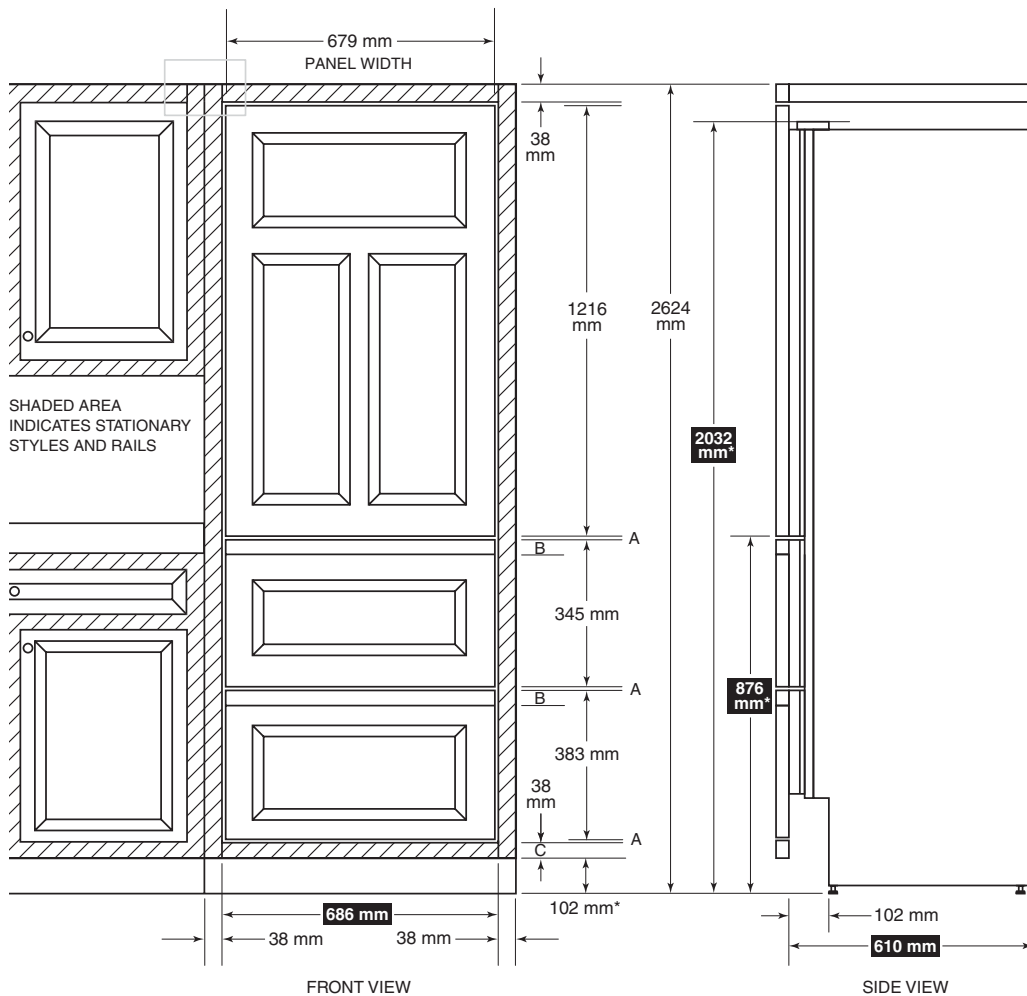
INTEGRATED

## FRAMED CABINETRY – BEADED INSET APPLICATION

The illustration below shows a 686 mm wide Integrated base or tall unit installed within a framed cabinetry, beaded inset application. Review, giving particular attention to the overall panel specifications. Also refer to the full-scale illustrations at the end of this section for specifics on door openings.



- A) ALL REVEALS ARE 3 mm
- B) DRAWER RAILS ARE ATTACHED TO DRAWER FRONTS
- C) BOTTOM RAIL MUST BE REMOVABLE



686 mm  
WIDE MODELS

**Installation of a 686 mm wide Integrated base or tall unit within framed cabinetry.**

*\*Dimensions may vary.*

*Dimensions are based on a 3 mm reveal. A reveal of up to 6 mm is possible, but panel dimensions need to be adjusted accordingly.*

### INSTALLATION

**To install integrated panels, see the detailed procedures outlined in the Sub-Zero Integrated Installation Guide.**



INTEGRATED

## FRAMED CABINETRY – BEADED INSET APPLICATION

The illustration below shows 914 mm wide Integrated tall unit installed within a framed cabinetry, beaded inset application. Review, giving particular attention to the overall panel specifications. Also refer to the full-scale illustrations at the end of this section for specifics on door openings.

914 mm  
WIDE MODELS

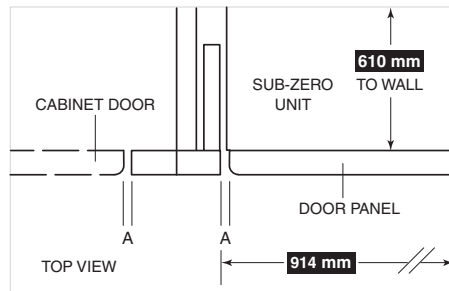
**Installation of a 914 mm wide Integrated tall unit within framed cabinetry.**

*\*Dimensions may vary.*

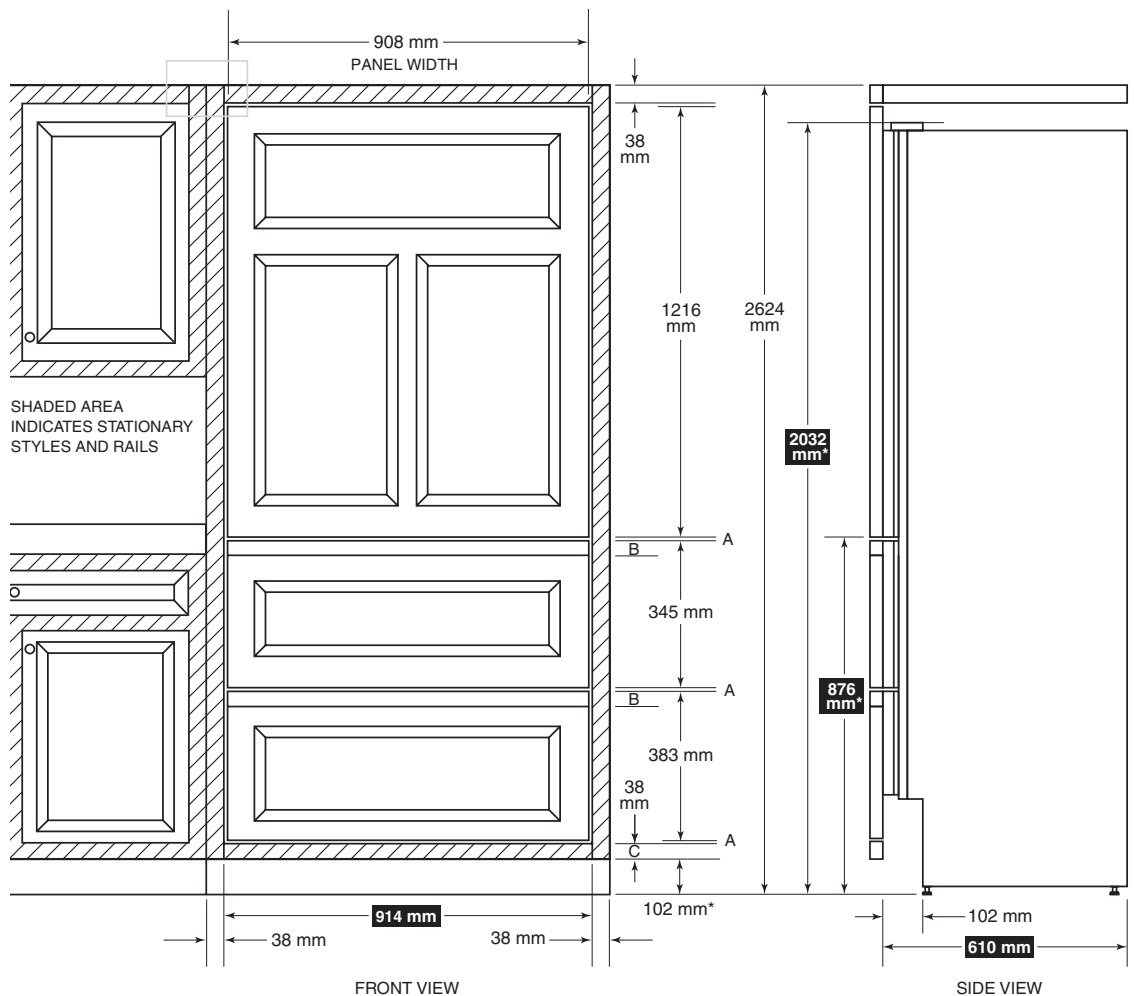
*Dimensions are based on a 3 mm reveal. A reveal of up to 6 mm is possible, but panel dimensions need to be adjusted accordingly.*

### INSTALLATION

**To install integrated panels, see the detailed procedures outlined in the Sub-Zero Integrated Installation Guide.**



- A) ALL REVEALS ARE 3 mm
- B) DRAWER RAILS ARE ATTACHED TO DRAWER FRONTS
- C) BOTTOM RAIL MUST BE REMOVABLE

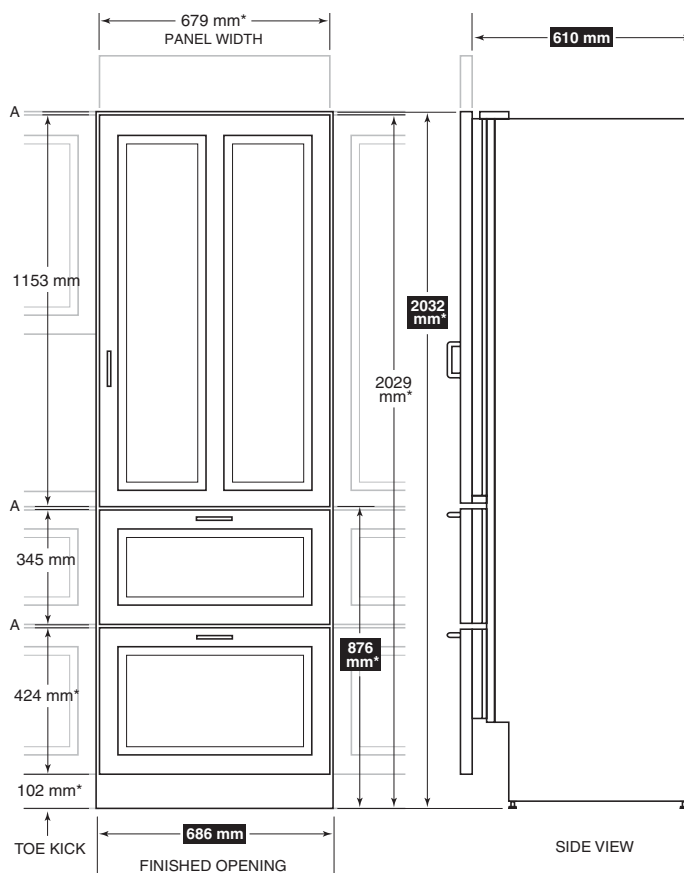




INTEGRATED

### FRAMELESS CABINETRY

The illustrations show hypothetical installations of Integrated base or tall units within frameless cabinetry. Review, giving particular attention to the overall panel specifications. Also refer to the full-scale illustrations at the end of this section for specifics on door openings.



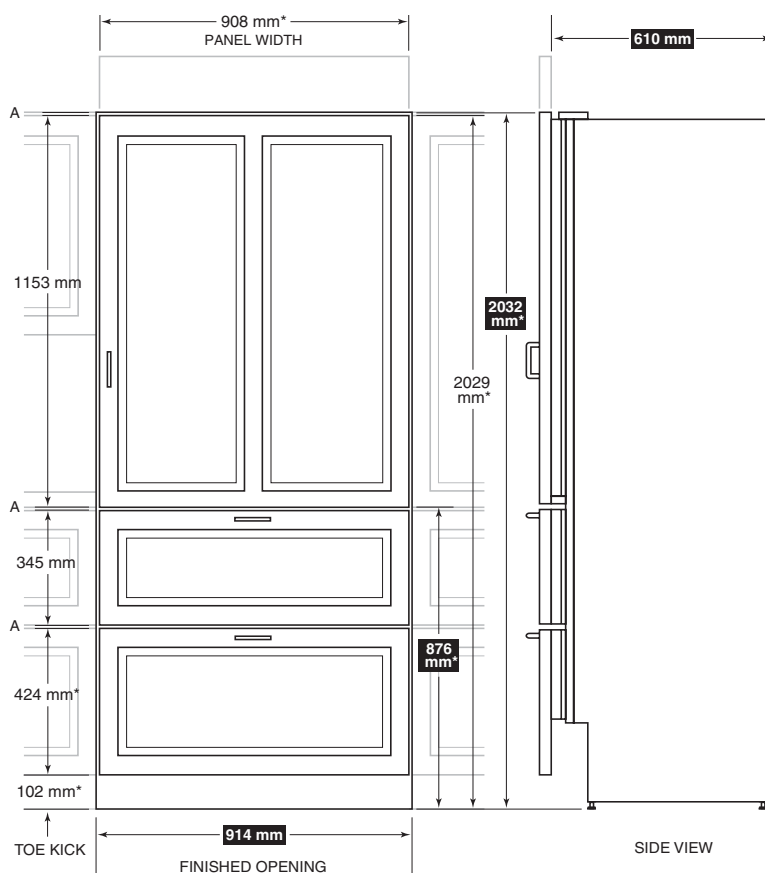
A) ALL REVEALS ARE 3 mm

686 mm  
WIDE MODELS

Installation of a 686 mm wide Integrated base or tall unit within frameless cabinetry.

\*Dimensions may vary.

Dimensions are based on a 3 mm reveal. A reveal of up to 6 mm is possible, but panel dimensions need to be adjusted accordingly.



A) ALL REVEALS ARE 3 mm

914 mm  
WIDE MODELS

Installation of a 914 mm wide Integrated tall unit within frameless cabinetry.

\*Dimensions may vary.

Dimensions are based on a 3 mm reveal. A reveal of up to 6 mm is possible, but panel dimensions need to be adjusted accordingly.



INTEGRATED

## PANEL CONSIDERATIONS

The illustrations below provide panel width dimensions for installation of a single tall unit, 686 mm and 914 mm wide models.

Illustrations on the following page provide panel width dimensions for installing two tall units side by side, 686 mm wide models and 914 mm wide models.

**IMPORTANT NOTE:** The depth of each Integrated model is 610 mm from the front of the unit to its back. You **must** allow for the thickness of the panel you are applying when planning for the finished rough opening depth if you want the front panel to be flush with surrounding cabinetry. You may have to move the unit back into drywall or bring the cabinets forward to achieve a flush fit.

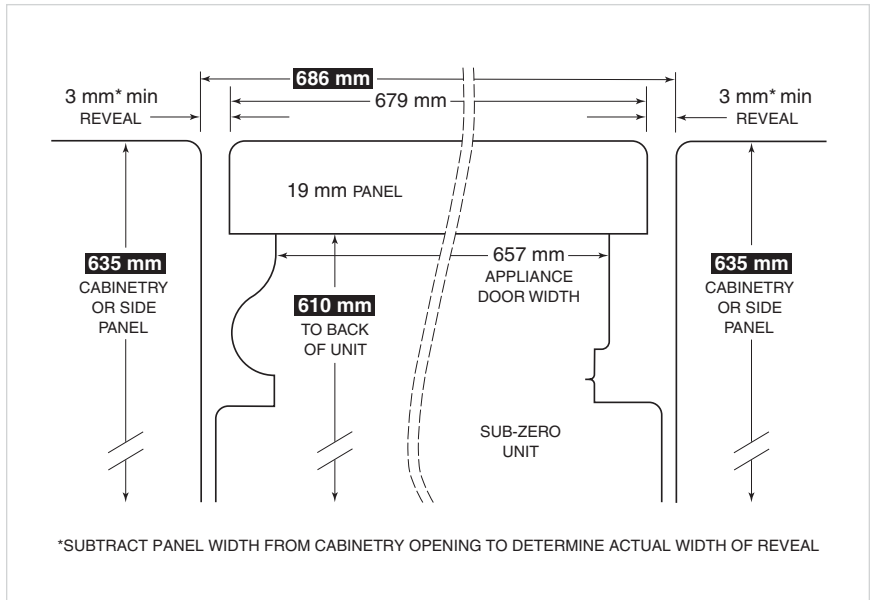
## INSTALLATION

To install integrated panels, see the detailed procedures outlined in the Sub-Zero Integrated Installation Guide.

### 686 mm WIDE MODELS

Panel width dimensions for installation of a 686 mm wide tall unit.

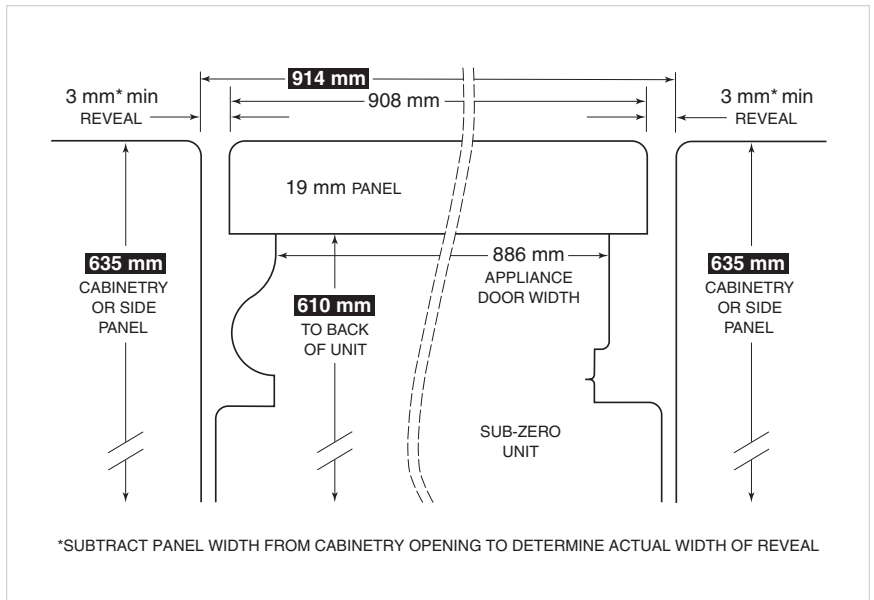
Dimensions are based on a 3 mm reveal. A reveal of up to 6 mm is possible, but panel dimensions need to be adjusted accordingly.



### 914 mm WIDE MODELS

Panel width dimensions for installation of a 914 mm wide tall unit.

Dimensions are based on a 3 mm reveal. A reveal of up to 6 mm is possible, but panel dimensions need to be adjusted accordingly.







INTEGRATED

**CAUTION**

As the reveal between cabinets and the Integrated unit decreases, the potential exists for severe finger pinching or crushing if a hand or fingers are placed in the opening when the door is closing.

**CAUTION**

When 19 mm or thicker panels are used and a reveal less than 6 mm is maintained, the door panels may cause damage to the Sub-Zero unit when the door is open at the maximum 105° stop. You should use the built-in 90° stop to prevent damage.

PANEL REQUIREMENTS

Door and drawer panels must be a minimum of 16 mm thick.

The door panel cannot exceed 18 kg and each drawer panel must not exceed 5 kg for 686 mm wide units. For 914 mm wide units, the door panel weight limit is 24 kg and 7 kg for each drawer panel.

686 mm WIDE MODELS

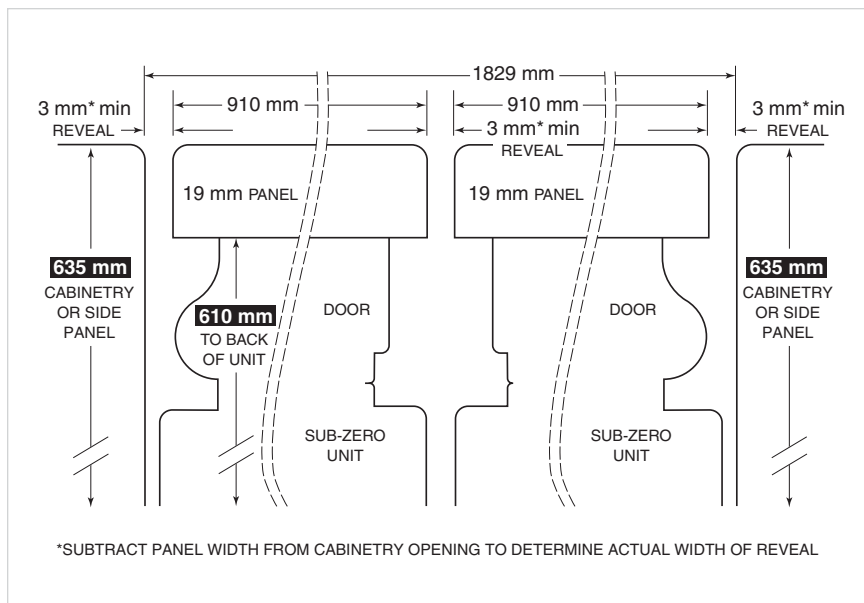
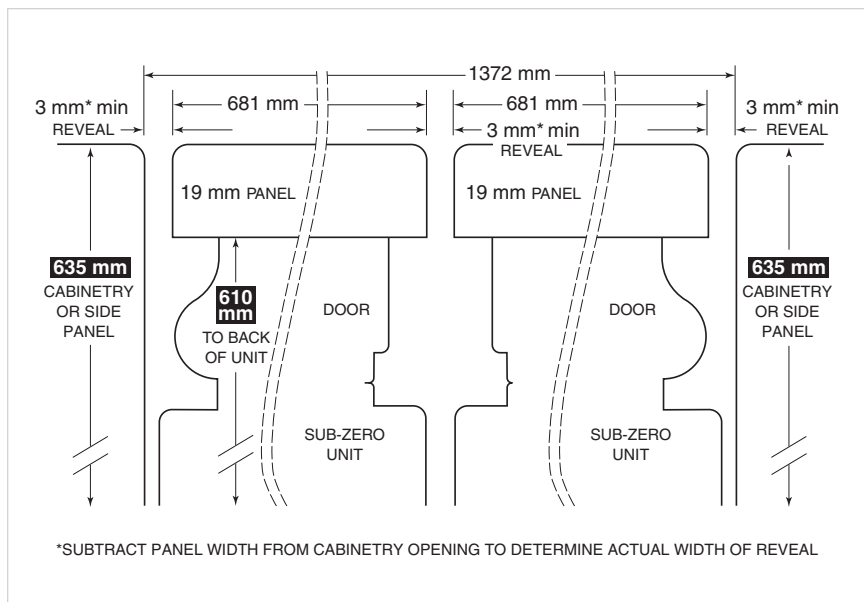
Panel width dimensions for installation of two 686 mm wide tall units side by side.

Dimensions are based on a 3 mm reveal. A reveal of up to 6 mm is possible, but panel dimensions need to be adjusted accordingly.

914 mm WIDE MODELS

Panel width dimensions for installation of two 914 mm wide tall units side by side.

Dimensions are based on a 3 mm reveal. A reveal of up to 6 mm is possible, but panel dimensions need to be adjusted accordingly.





INTEGRATED

## INSTALLATION OPTIONS

The illustrations show some typical installations and their dimension considerations. The depth dimension in the illustrations may vary depending on cabinet styles, treatment of countertops or other design options.

**IMPORTANT NOTE:** The depth of each Integrated model is 610 mm from the front of the unit to its back. Your design may necessitate moving the unit back or cabinets forward to achieve a flush fit. This will require a minimum rough opening depth of 635 mm. Refer to the illustrations.

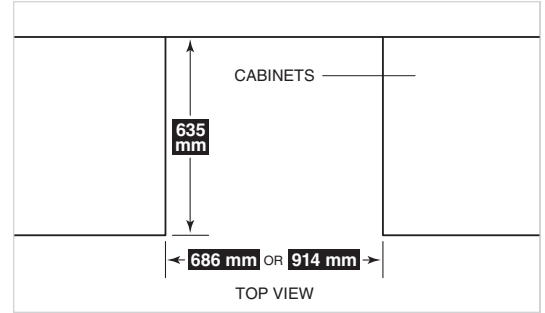
**NOTE:** In the Installation Options illustrations, the first width dimension shown is for 686 mm wide units and the second dimension is for 914 mm wide units.

## DUAL INSTALLATIONS

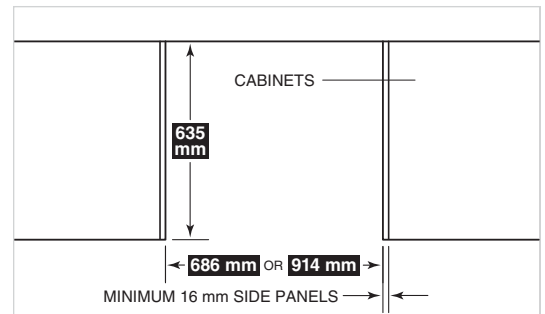
If two or more Integrated models are installed side by side where there is 51 mm or less of space between the units, a heater kit is recommended—TTDUAL for two tall units installed side by side and BBDUAL for two base units or a base unit and a tall unit installed side by side. These optional components are available through your Sub-Zero dealer.

## ACCESSORIES

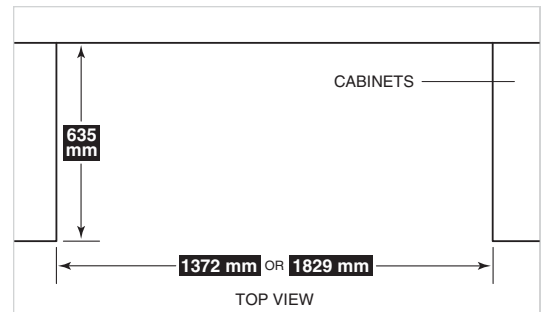
Optional accessories are available through your Sub-Zero dealer.



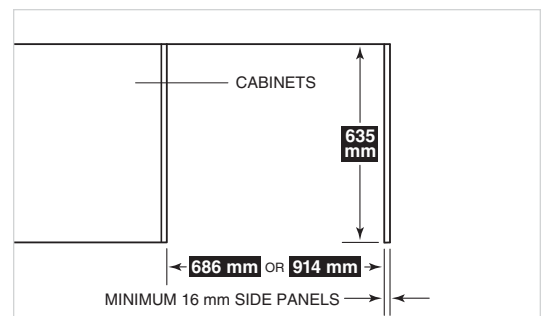
Installation without side panels



Installation with side panels



Installation of two units side by side



Installation at end of run



INTEGRATED

## DOOR PANEL HEIGHT

The height of the door panel can grow beyond 1153 mm and exceed the 2032 mm overall height, as long as you stay below the recommended door panel weight limit.

The top illustration shows how the panel may grow and what you need to consider doing to finish the area in back of the door panel.

**IMPORTANT NOTE:** The valance you use to finish the area behind the door panel must stay behind the front plane of the finished molding.

## TOE KICK CLEARANCE

The toe kick clearance can vary with the height of the lower drawer panel; the maximum panel height is 424 mm.

**IMPORTANT NOTE:** You must keep a minimum space of 102 mm clear below the bottom edge of the lower drawer panel so the unit can be properly vented. In addition, any decorative base molding must be removable for possible servicing and cleaning of the condenser.

The bottom illustration shows the area below the lower drawer where the operating mechanical equipment of the Integrated unit is housed.

## PANEL REQUIREMENTS

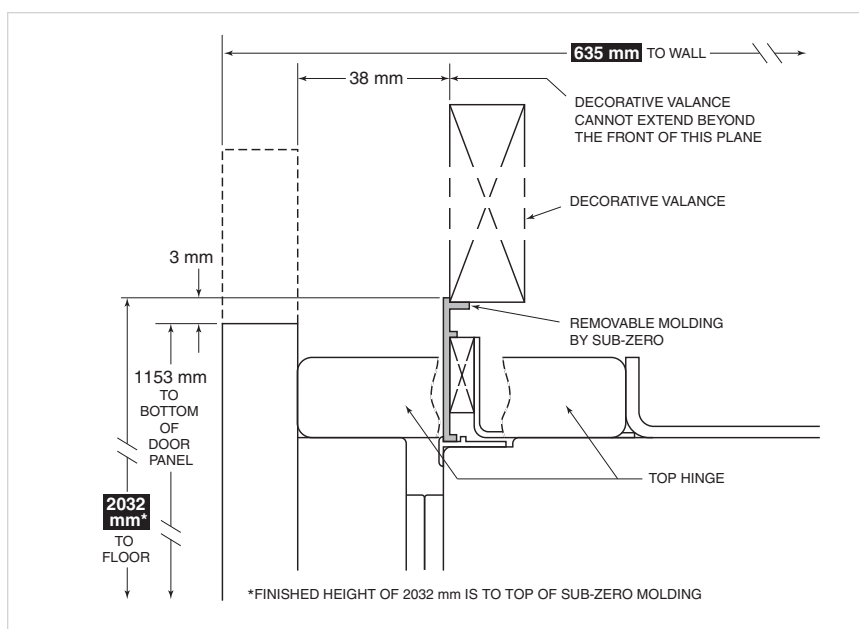
Door and drawer panels must be a minimum of 16 mm thick.

The door panel cannot exceed 18 kg and each drawer panel must not exceed 5 kg for 686 mm wide units. For 914 mm wide units, the door panel weight limit is 24 kg and 7 kg for each drawer panel.

### UPPER VALANCE

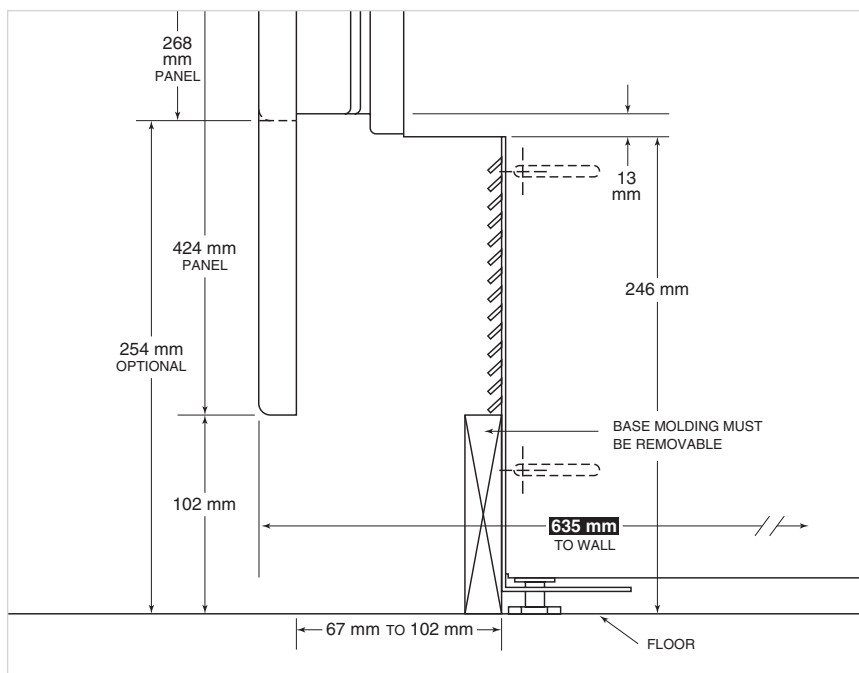
Tall Models

The depth of each Integrated model is 610 mm from the front of the unit to its back. Your design may necessitate moving the unit back or cabinets forward to achieve a flush fit. This will require a minimum rough opening depth of 635 mm.



### KICKPLATE AREA

Base and Tall Models





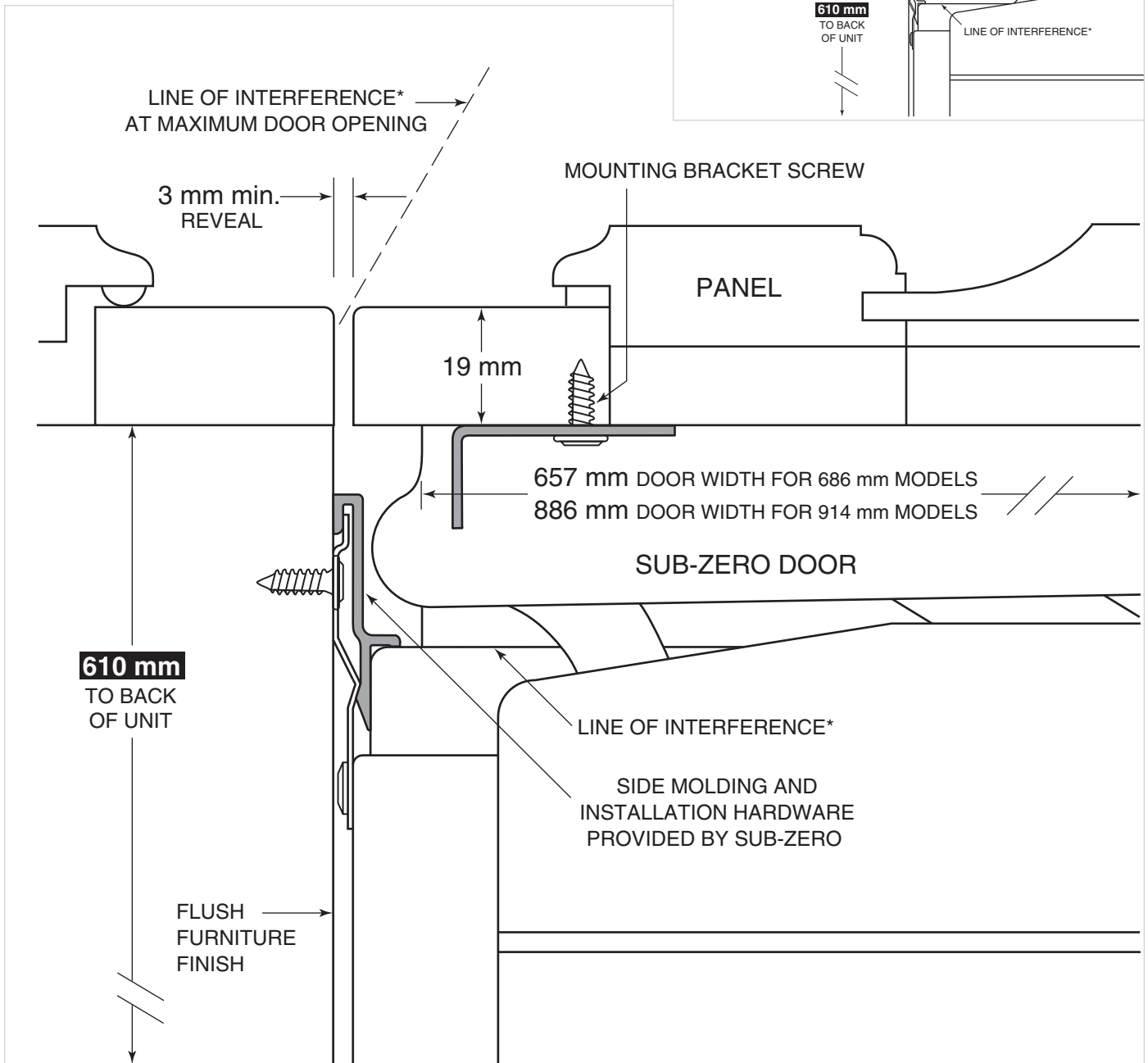
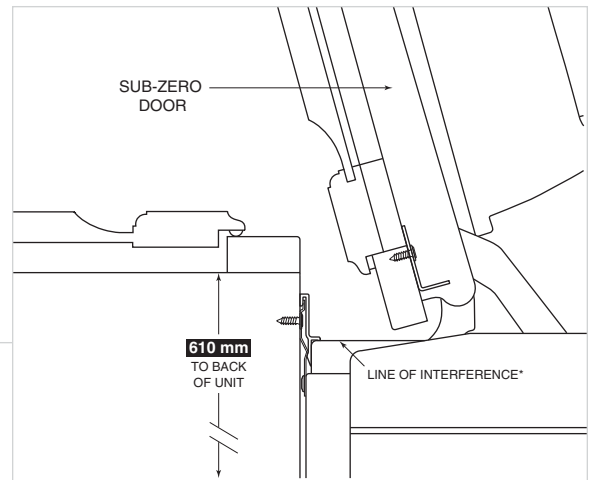
INTEGRATED

## FRAMED CABINETRY

**IMPORTANT NOTE:** The depth of each Integrated model is 610 mm from the front of the unit to its back. Your design may necessitate moving the unit back or cabinets forward to achieve a flush fit.

DOOR CLOSED  
Full-scale (top view)

105° MAXIMUM  
DOOR OPENING  
1/4 scale (top view)



*\*If the panel is thicker than 19 mm, it is recommended that you utilize the built-in 90° door stop to prevent damage to the panel and face frame.*



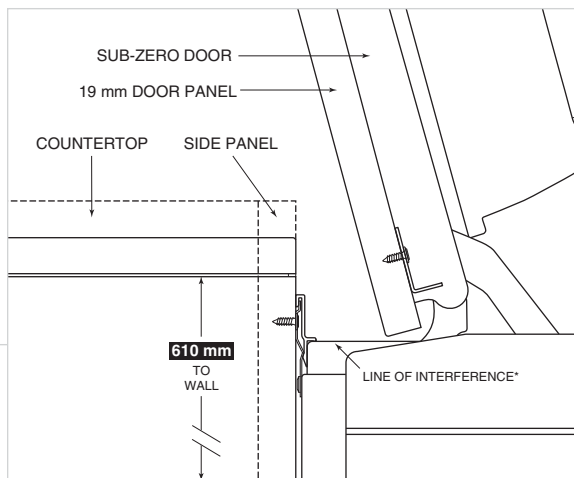
INTEGRATED

## FRAMELESS CABINETS

**IMPORTANT NOTE:** The depth of each Integrated model is 610 mm from the front of the unit to its back. Your design may necessitate moving the unit back or cabinets forward to achieve a flush fit.

DOOR CLOSED

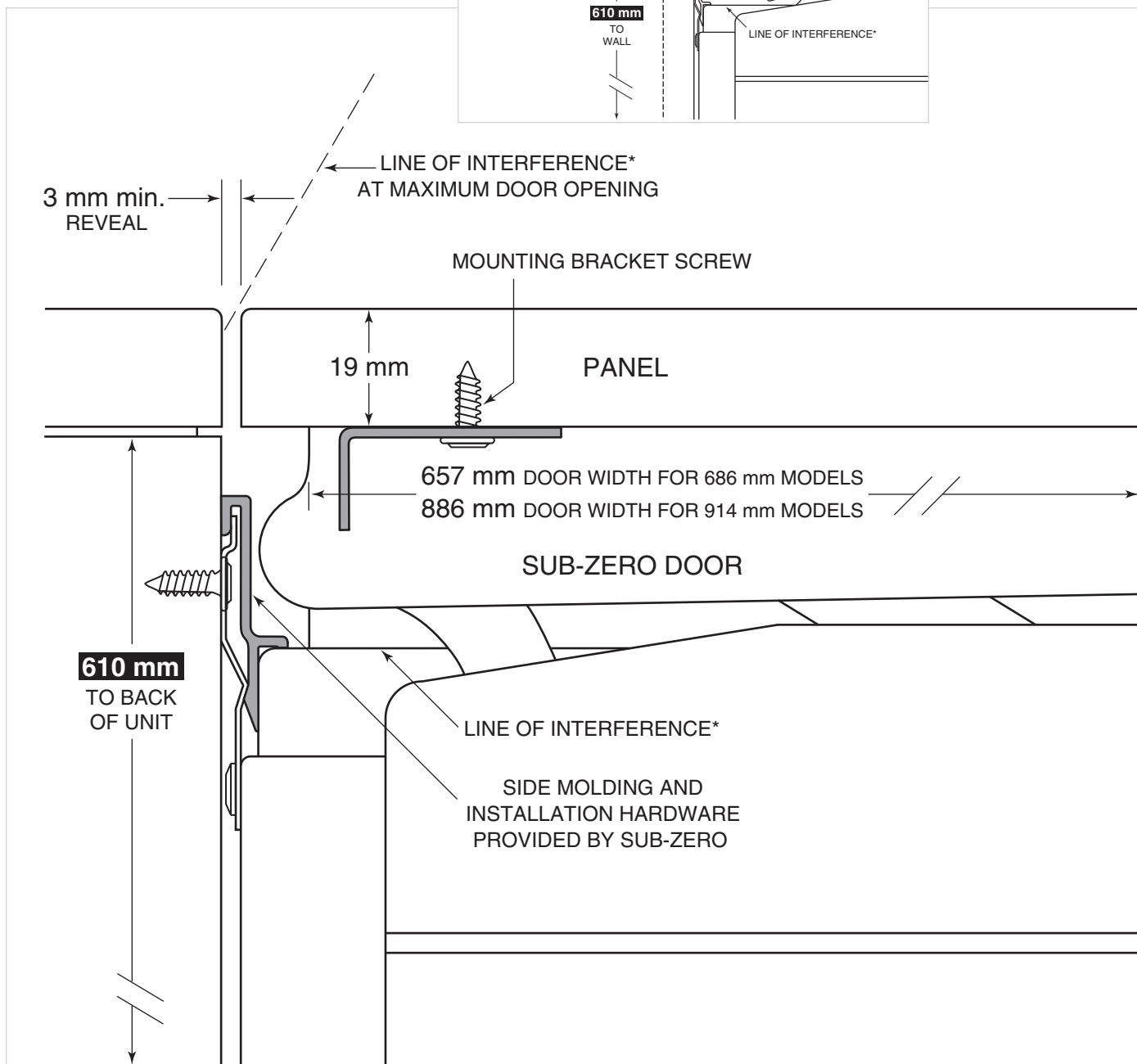
Full-scale (top view)



105° MAXIMUM DOOR OPENING

1/4 scale (top view)

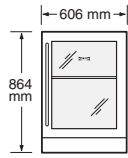
Adjacent side panel and countertop application.



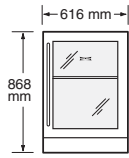
*\*If the panel is thicker than 19 mm, it is recommended that you utilize the built-in 90° door stop to prevent damage to the panel and face frame.*



UNDERCOUNTER

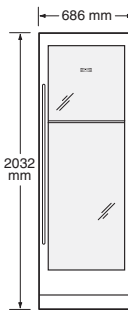


**MODEL I424**  
*Built-In*

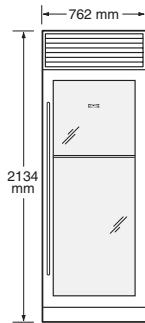


**MODEL I424FS**  
*Free-Standing*

ALL WINE STORAGE

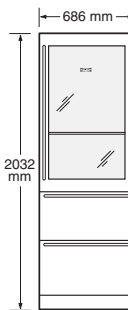


**MODEL I427**  
*Integrated*



**MODEL I430**  
*Built-In*

WINE STORAGE | REFRIGERATOR



**MODEL I427R**  
*Integrated*



With the installation of a harness kit, Wine Storage models are Star-K compliant to meet strict religious regulations in conjunction with specific instructions found on [www.star-k.org](http://www.star-k.org). For details about the harness kit, contact your Sub-Zero dealer.

WINE STORAGE

Sub-Zero’s innovative addition to its complete line of residential refrigeration is wine storage equipment—the ultimate in beauty, engineering, and attention to detail. From the exterior and the smooth lines of the free-standing Model I424FS classic stainless steel to the ability to use wood on the Built-In and Integrated models, each unit is beautiful.

With the exception of the free-standing Model I424FS, each model will have the capability of having wood panels applied to the doors. With the Model I427R, you can also apply the wood to the drawers.

The free-standing Model I424FS does not require any panels or surrounding cabinetry; it comes with classic stainless steel exterior.

All models will be shipped with glass doors as standard equipment. The glass doors allow one to see the wine that is being stored.

Stainless steel models will be shipped with tubular stainless steel handles, while the overlay models will come with no handle hardware.

Accessory overlay handles are available. Optional stainless steel panels and handles for Models I427 and I427R are offered in the classic stainless steel finish and are ordered and shipped as sales accessories.

Standard grille assemblies for the Model I430 will be provided in 25 mm increments from 254 mm to 381 mm. The standard height will be 279 mm. The overlay model will have the panel grille, which accepts decorative panel inserts.

For information regarding specific Wine Storage models, refer to the illustrations in this section.

The illustrations represent the full line of Wine Storage models. The Model I424FS free-standing unit comes with a classic stainless steel exterior.

Comprehensive installation instructions are shipped with each model. Refer to those instructions in preparing and installing all Sub-Zero products. The instructions can also be found on our website, [subzero.com](http://subzero.com).



## FEATURES AND OPTIONS

When looking for wine storage, you no longer have to think only about an undercounter application. Sub-Zero offers you complete flexibility from the perspective of design applications and storage capabilities.

Model I424 comes in the overlay and stainless steel door panel configurations. Model I424FS (free-standing) is identical to the Model I424 but with classic stainless steel exterior and is designed to be attractive in a stand-alone setting.

Models I427 and I427R are offered as integrated or stainless steel. Optional classic stainless steel panels and handles are offered at the 2032 mm and 2134 mm height. Stainless steel panels are available as sales accessories.

Model I430 comes in overlay and stainless steel. Stainless steel Model I430 comes with a standard 279 mm heavy-duty grille, 25 mm diameter stainless steel handles and a stainless steel kickplate.

**Built-In Look.** Sub-Zero offers you a host of design alternatives to choose from when selecting the look you want. Wood or stainless steel, overlay or integrated.

**Dual Zone System.** All Wine Storage models allow you to have precise temperature control within one degree of your pre-set temperature in each of the two wine compartments.

**Dual Refrigeration System.** In a similar fashion to our Built-In, each Wine Storage model has dual refrigeration so your client will have specific, individual temperature control of the two wine compartments.

**Electronic Controls.** Microprocessor offers touch pad controls that are easy to understand and that set the temperatures accurately.

**Display Shelf.** This beautiful shelf offers your clients the opportunity to display those prize bottles or magnums of wine in their collection. It is illuminated with discreet lighting mounted in the control panel. (Not available with Models I424 and I424FS.)

**Storage Shelves.** The sturdy, rustproof wire shelves can easily accommodate standard 750 ml bottles, half bottles, as well as magnums. All the shelves are finished off with a natural cherry wood facing. In addition, all shelves will enable you to be sure the wine is stored properly and that the corks are in contact with the bottles' contents.

**Roller Assembly.** All shelves have a roller assembly, which enables you to have a three-quarter extension for easy access to all bottles of stored wine.

**Service Alert.** An indicator light will let you know if service may be necessary.

**Home Alarm.** Wiring connections give you the option of hooking the Wine Storage unit up to your home security system.

**Discreet Lighting.** Our soft low-wattage lighting is independent of door opening.

**Correct Temperature.** The range of each temperature zone is 3°C to 18°C, and your set temperature is digitally displayed in the control panel.

**Humidity.** Proper humidity is maintained throughout the entire unit.

**UV Protection.** The tinted glass minimizes the amount of ultraviolet light entering the unit.

**Lock.** A lock will be offered as an option for all Wine Storage models. The lock is offered as a sales accessory and should be ordered through your Sub-Zero dealer. Special planning is necessary when ordering locks for Models I427 and I427R; see page 57 for details.

**Tight Seal.** Magnetic gaskets around the doors give extra-tight seals.

**Kickplate.** The solid, adjustable kickplate gives a true built-in look and conforms to American Institute of Architects standards.

**Front Venting.** All Sub-Zero Wine Storage models are designed for mechanical system airflow at the front of the appliance. Decorative panels must not cover louvered surfaces or prevent removal of louvered components.

## ACCESSORIES

**Optional accessories are available through your Sub-Zero dealer.**



WINE STORAGE

**MODEL I424**

UNDERCOUNTER  
BUILT-IN

**MODEL OPTIONS**

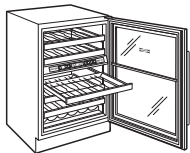
Overlay Design **I424/O**  
Classic Stainless Steel **I424/S**

**SPECIFICATIONS**

Overall Width **606 mm**  
Overall Height **864 mm**  
Overall Depth **610 mm**  
Wine Storage Capacity **46 bottles\***  
Min Height Required **870 mm**  
Door Swing Clearance **645 mm**  
Specify Door Swing **LH or RH**  
Shipping Wt (glass) **86 kg**  
Shipping Wt (glass/S) **88 kg**

**FEATURES**

2 Temperature Zones  
8 (750 ml) Bottles per Standard Shelf  
2 Top Zone Shelves (16 bottles\*)  
3 Bottom Zone Shelves (24 bottles\*)  
1 Fixed Bottle Holder (6 bottles\*)  
Full-View Glass Door



**MODEL I424**

**MODEL I424FS**

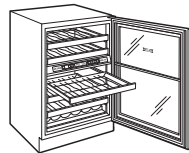
UNDERCOUNTER  
FREE-STANDING

**SPECIFICATIONS**

Overall Width **616 mm**  
Overall Height **868 mm**  
Overall Depth **625 mm**  
Wine Storage Capacity **46 bottles\***  
Door Swing Clearance **645 mm**  
Specify Door Swing **LH or RH**  
Shipping Wt **100 kg**

**FEATURES**

2 Temperature Zones  
8 (750 ml) Bottles per Standard Shelf  
2 Top Zone Shelves (16 bottles\*)  
3 Bottom Zone Shelves (24 bottles\*)  
1 Fixed Bottle Holder (6 bottles\*)  
Full-View Glass Door  
Classic Stainless Steel Exterior  
and Door Frame



**MODEL I424FS**

**MODEL I427**

ALL WINE STORAGE

**SPECIFICATIONS**

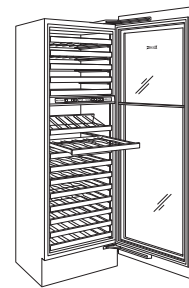
Overall Width **686 mm**  
Overall Height **2032 mm**  
Overall Depth **610 mm**  
Wine Storage Capacity **132 bottles\***  
Min Height Required **2019 mm**  
Door Swing Clearance **648 mm**  
Specify Door Swing **LH or RH**  
Shipping Wt **179 kg**

**FEATURES**

2 Temperature Zones  
9 (750 ml) Bottles per Standard Shelf  
5 Top Zone Shelves (45 bottles\*)  
9 Bottom Zone Shelves (81 bottles\*)  
1 Display Shelf (6 bottles\*)  
Full-View Glass Door

**PANEL OPTIONS**

Integrated  
Classic stainless steel finish  
(includes handle)\*\*



**MODEL I427**



**MODEL I430**

ALL WINE STORAGE

**MODEL OPTIONS**

Overlay Design	<b>I430/O</b>
Classic Stainless Steel	<b>I430/S</b>

**SPECIFICATIONS**

Overall Width	<b>762 mm</b>
Overall Height	<b>2134 mm</b>
Overall Depth	<b>610 mm</b>
Wine Storage Capacity	<b>147 bottles*</b>
Min Height Required	<b>2108 mm</b>
Door Swing Clearance	<b>765 mm</b>
Specify Door Swing	<b>LH or RH</b>
Shipping Wt	<b>197 kg</b>
Shipping Wt (glass/S)	<b>202 kg</b>

**FEATURES**

- 2 Temperature Zones
- 10 (750 ml) Bottles per Standard Shelf
- 5 Top Zone Shelves (50 bottles\*)
- 9 Bottom Zone Shelves (90 bottles\*)
- 1 Display Shelf (7 bottles\*)
- Full-View Glass Door

**MODEL I427R**

WINE STORAGE | REFRIGERATOR

**SPECIFICATIONS**

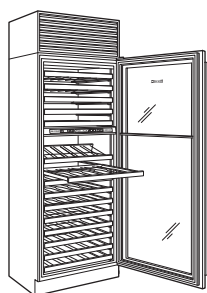
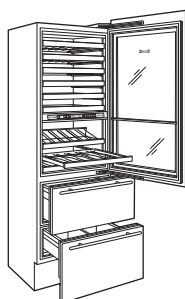
Overall Width	<b>686 mm</b>
Overall Height	<b>2032 mm</b>
Overall Depth	<b>610 mm</b>
Wine Storage Capacity	<b>78 bottles*</b>
Refrigerator Capacity	<b>150 L</b>
Min Height Required	<b>2019 mm</b>
Door Swing Clearance	<b>648 mm</b>
Specify Door Swing	<b>LH or RH</b>
Drawer Clearance	<b>495 mm</b>
Shipping Wt	<b>186 kg</b>

**FEATURES**

- 3 Temperature Zones
- 2 Refrigerated Drawers
- 9 (750 ml) Bottles per Standard Shelf
- 6 Top Zone Shelves (54 bottles\*)
- 2 Bottom Zone Shelves (18 bottles\*)
- 1 Display Shelf (6 bottles\*)
- Full-View Glass Door

**PANEL OPTIONS**

- Integrated
- Classic stainless steel finish (includes handles)\*\*

*\*750 ml bottles.**\*\*Optional stainless steel panels and handles are ordered and shipped as sales accessories.***MODEL I430****MODEL I427R****ACCESSORIES***Contact your Sub-Zero Dealer***Classic stainless steel front panels (Models I427 and I427R)\*****Tubular handles in classic stainless steel****Side and grille panels (Model I430)\*****Panel, louvered or stainless steel grilles in varied heights (Model I430)\*****Dual installation heater kit (Models I427 and I427R)\****\*Accessory is available only for models listed.*



## PLANNING INFORMATION

Review the Overall Dimensions and Installation Specifications illustrations for your Wine Storage model on the following pages. These specifications cover all the details you need to know about space allocation and placement of electrical, whether the models are overlay, stainless steel or integrated.

All Wine Storage models must be installed so that the door can open a minimum of 90° or you will have problems pulling the wine shelves out. Refer to the door clearance and door swing information.

For corner installations, you need allow for a minimum 76 mm filler so the door can open to 90°. If you are using larger handle hardware, you will also need to take that into account.

For a maximum 90° door opening, use the door stop built into the hinge system of Model I427. An optional 90° door stop kit for Model I430 is available from your Sub-Zero dealer.

If you will be connecting the unit to a home security system, you must allow a minimum of 914 mm of the system's wiring to be routed in the electrical area designated for your model.

**IMPORTANT NOTE:** The anti-tip bracket must be installed to prevent the unit from tipping forward.

## DUAL INSTALLATIONS

If you are installing a Wine Storage unit next to an existing Sub-Zero unit, you may have to allow for a filler strip.

If you are installing a Model I427 or I427R Wine Storage unit next to an existing Integrated Sub-Zero unit, with 51 mm or less between the units, an optional heater kit (BBDUAL or TTDUAL) will need to be installed to prevent moisture from forming between the units. This optional kit is available through your Sub-Zero dealer.

## ELECTRICAL REQUIREMENTS

International models from the factory designed without a transformer require a 220/240 V AC, 50/60 Hz electrical supply, fused at the correct rating for the unit. If required by local or national codes, the power cord can be easily replaced using the power inlet device.

International models using a factory installed transformer require a 220/240 V AC, 50/60 Hz electrical supply, fused at the correct rating for the unit. These models will come equipped with Schuko power cords. The power cord may need to be replaced depending on local and national codes. The USA power cord that is supplied with the product must be disconnected with the appropriate transformer output to be connected in its place.

**IMPORTANT NOTE:** The electrical outlet must be grounded. The outlet must be flush with the back wall. Refer to the Installation Specifications illustration for your model for exact placement.

**IMPORTANT NOTE:** A ground fault circuit interrupter (GFCI) is not recommended and may cause interruption of operation.

## ACCESSORIES

Optional accessories are available through your Sub-Zero dealer.

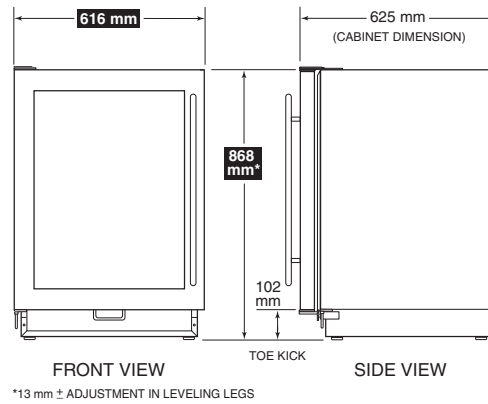
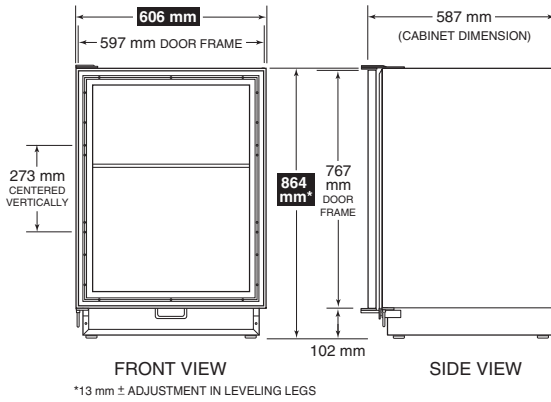
## INSTALLATION

Refer to the installation instructions shipped with each Sub-Zero product for detailed specifications.



### OVERALL DIMENSIONS

#### Undercounter Wine Storage



### UNDERCOUNTER

**Model I424**  
*Built-In*

**Model I424FS**  
*Free-Standing*

#### MODEL I424

*Built-In*

Width **606 mm**  
Height **864 mm**  
Depth **610 mm**

#### MODEL I424FS

*Free-Standing*

Width **616 mm**  
Height **868 mm**  
Depth **625 mm**

*Note the location of pre-drilled holes for optional handle hardware.*

### INSTALLATION SPECIFICATIONS

#### Undercounter Models

##### Model I424

- A) Rough Opening Width 610 mm**
- B) Rough Opening Height 876 mm**
- C) Min Door Clearance 644 mm**
- D) Min Clearance at 90° 660 mm**

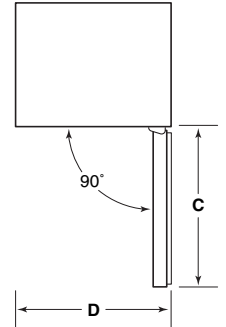
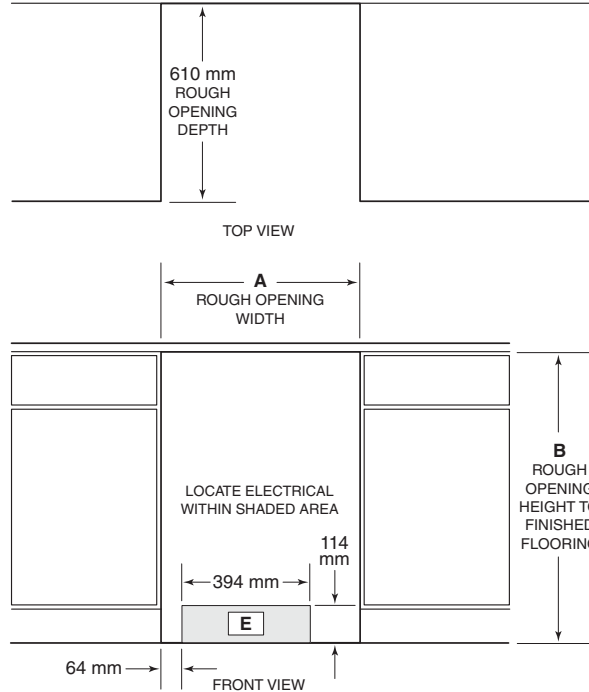
##### Model I424FS\*

- C) Min Door Clearance 644 mm**
- D) Min Clearance at 90° 660 mm**

*\*Free-standing Model I424FS requires no surrounding cabinetry.*

*Dimensions are for finished rough openings.*

*Door swing clearances are based on stainless steel door and handle dimensions.*





WINE STORAGE

OVERALL DIMENSIONS  
All Wine Storage - Model I427

Wine Storage | Refrigerator - Model I427R

INTEGRATED

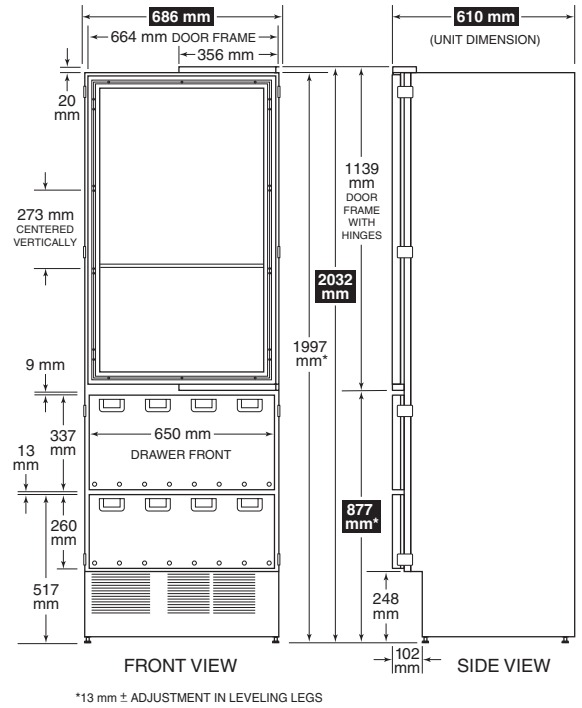
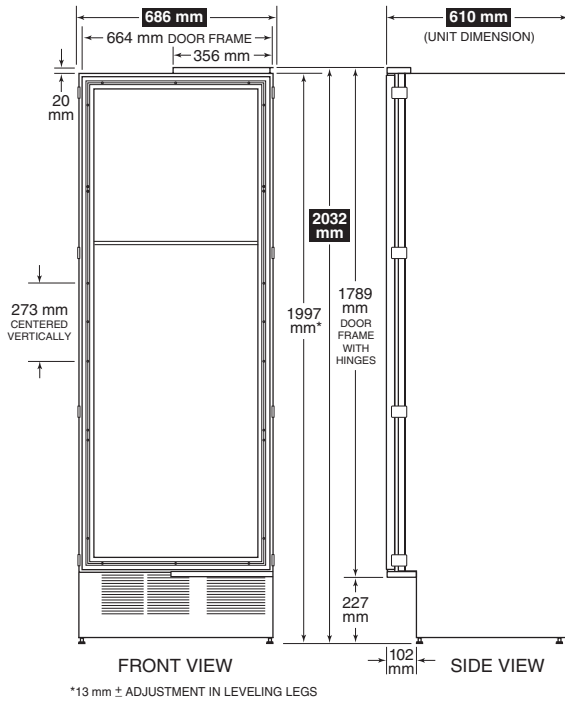
Model I427  
All Wine Storage

Model I427R  
Wine Storage | Refrigerator

OVERALL DIMENSIONS  
Model I427 | I427R

Width 686 mm  
Height 2032 mm  
Depth 610 mm

Note the location of pre-drilled holes for optional handle hardware.



\*13 mm ± ADJUSTMENT IN LEVELING LEGS

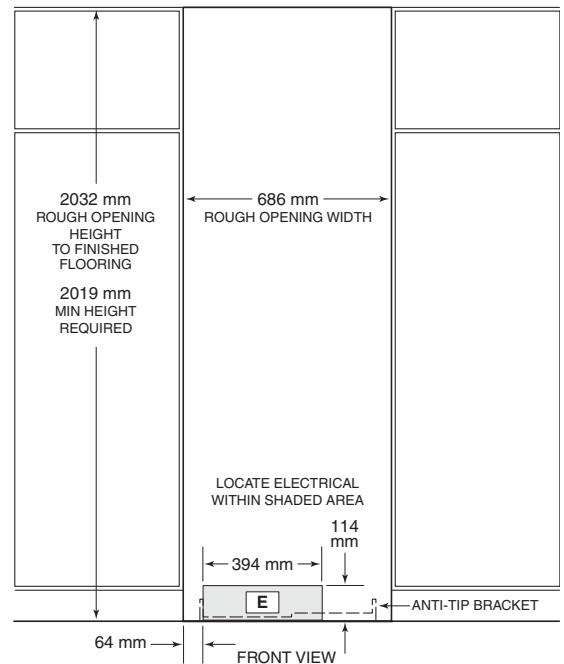
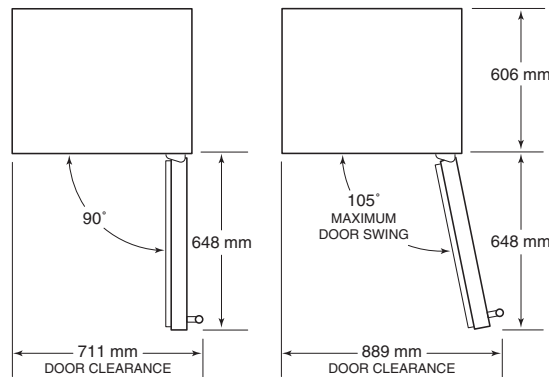
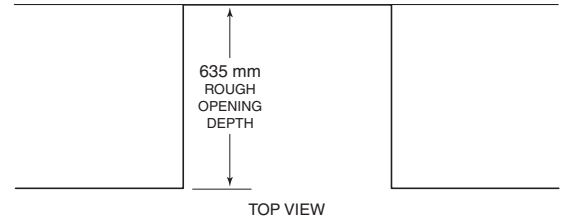
\*13 mm ± ADJUSTMENT IN LEVELING LEGS

INSTALLATION SPECIFICATIONS  
Models I427 | I427R

Dimensions are for finished rough openings.

Door swing clearances are based on stainless steel door and handle dimensions.

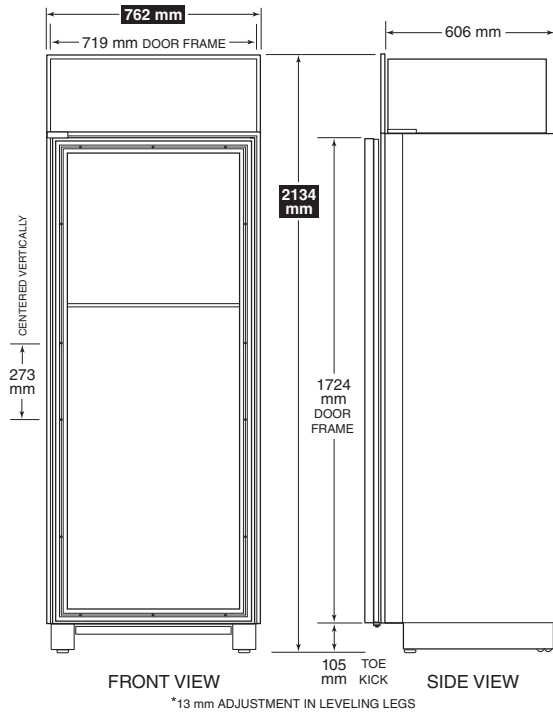
IMPORTANT NOTE: The depth of Models I427 and I427R is 610 mm from the front of the unit to its back. Your design may necessitate moving the unit back or cabinets forward to achieve a flush fit. This will require a minimum rough opening depth of 635 mm.





WINE STORAGE

### OVERALL DIMENSIONS All Wine Storage - Model I430



ALL WINE STORAGE

Model I430  
Built-In

OVERALL DIMENSIONS  
Model I430

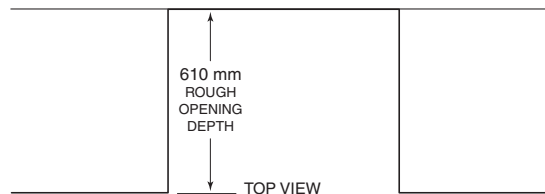
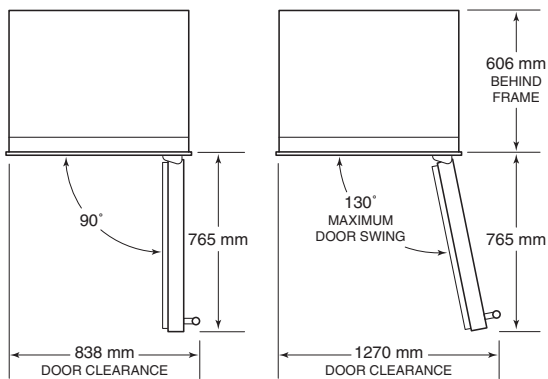
Width 762 mm  
Height 2134 mm  
Depth 610 mm

Note the location of pre-drilled holes for optional handle hardware.

### INSTALLATION SPECIFICATIONS All Wine Storage - Model I430

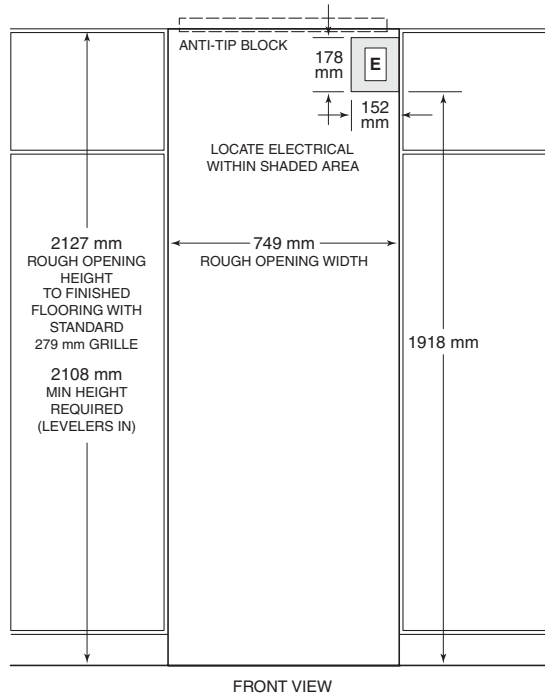
Dimensions are for finished rough openings.

Door swing clearances are based on stainless steel door and handle dimensions.



### INSTALLATION

Refer to the installation instructions shipped with each Sub-Zero product for detailed specifications.





WINE STORAGE

## DOOR PANELS

Unless you are installing a stainless steel model, you will need to provide a frame for the glass door. If you order a stainless steel unit, Models I424, I424FS and I430 will be shipped with their panels and hardware installed and you will merely install the Sub-Zero. However, for Models I427 and I427R, you will have to have the stainless steel panels and handles installed.

## ACCESSORIES

**Optional accessories are available through your Sub-Zero dealer.**

## MODEL I424FS – FREE-STANDING

The free-standing Model I424FS does not require any panels or surrounding cabinetry. It has a beautiful classic stainless steel exterior, door frame and handle. Refer to the Overall Dimensions illustration for the Model I424FS.



### OVERLAY PANELS – MODEL I424

The overlay panel applied to Model I424 should not be confused with the Built-In overlay panel application. The overlay panel will consist of only a frame and would be either the 16 mm or 19 mm thick panel you may be using. It is affixed directly to the door itself with screws through a series of pre-drilled holes in the perimeter of the door itself. You do not need any backer or spacer panel.

Refer to the Overall Dimensions and Cabinetry Dimensions illustrations for Model I424 to give you a better idea of the exact space our unit needs and how the panel fits in relationship with the unit.

The glass door opening of the standard Model I424 is designed to be exposed to room air circulation. Decorative overlays on the glass should be kept to a minimum. Also, rails and stiles can be increased in size but should not exceed cabinet manufacturers' standard width. They cannot exceed overall door panel dimensions specified, as they would interfere with the operation of the door. The back sides of rails and stiles that will be visible through the glass door will need to be finished. Also, the inside edges of the frames must be finished to match the front surface.

The Overall Dimensions illustrations show the location of predrilled holes for optional handle hardware. Refer to page 60 for specifics about installing handles on this overlay application.

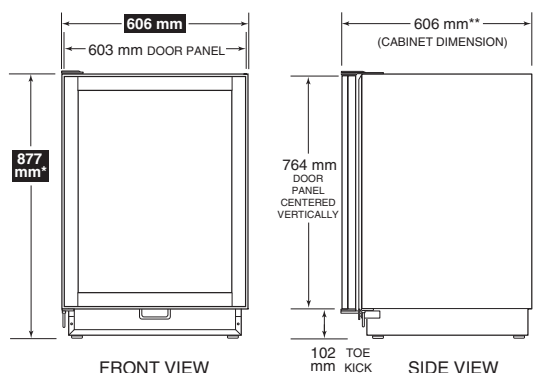
**IMPORTANT NOTE:** When planning to install the Model I424 next to adjoining cabinetry, you must make provisions to allow the door to open to a maximum of 145° and not interfere with the door panel. Refer to the full-scale illustration at the end of this section.

### INSTALLATION

To install overlay panels, see the detailed procedures outlined in the Sub-Zero Wine Storage Installation Guide.

### CABINETRY DIMENSIONS

Model I424



\*13 mm ADJUSTMENT IN LEVELING LEGS  
\*\* MODEL I424/S (STAINLESS STEEL WRAPPED DOOR) FINISHES OFF AT 606 mm DEEP

### OVERLAY PANEL SPECIFICATIONS

Model I424

Door Panel Width	<b>603 mm</b>
Door Panel Height	<b>764 mm</b>
Min Width of Rails and Stiles	<b>57 mm</b>
Door Frame Panel Weight Limit	<b>5 kg</b>
Min Panel Thickness	<b>16 mm</b>



### INTEGRATED PANELS – MODELS I427 | I427R

The integrated frame panels for glass doors for these models will follow some of the identical planning processes used with the Integrated line. The installation of the door panels is completely different, however. Rather than using the mounting hardware we used with the Integrated line, door panels for both Models I427 and I427R will be applied with screws applied through our door.

The drawer panels for the Model I427R will be applied using the Integrated technique of mounting brackets.

Refer to the Overall Dimensions and Cabinetry Dimensions illustrations for Models I427 and I427R to give you a better idea of the exact space our unit needs and how the panel fits in relationship with the unit.

**IMPORTANT NOTE:** The depth of Models I427 and I427R is 610 mm from the front of the unit to its back. You **must** allow for the thickness of the panel you are applying when planning for the finished rough opening depth if you want the front panel to be flush with surrounding cabinetry. You may have to move the unit back into the drywall or bring the cabinets forward. Refer to pages 37–43 of the Integrated section.

**IMPORTANT NOTE:** The glass door opening of the standard Models I427 and I427R is designed to be exposed to room air circulation. Decorative overlays on the glass should be kept to a minimum. While the cabinet front stiles are a minimum of 57 mm for both Models I427 and I427R, the top and bottom rails are different.

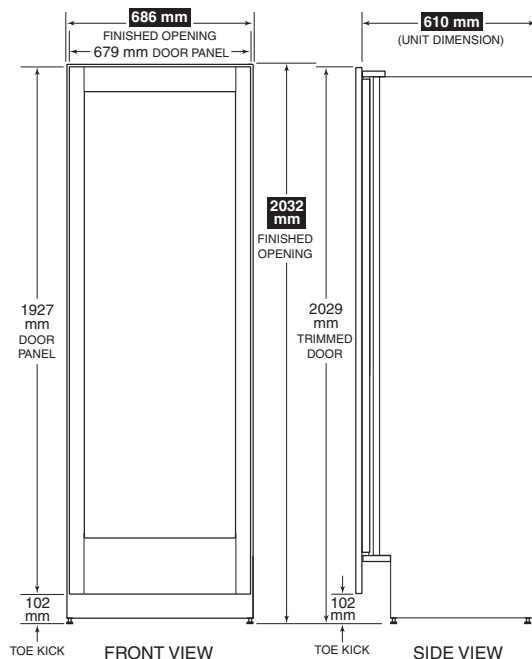
Rails and stiles can be increased in size but should not exceed cabinet manufacturers' standard width. They cannot exceed overall door panel dimensions specified, as they would interfere with the operation of the door. The back sides of rails and stiles that will be visible through the glass door will need to be finished. Also, the inside edges of the frames must be finished to match the front surface.

**IMPORTANT NOTE:** The inside edges of the rough opening will need to be finished as they will be exposed when the doors are open.

#### ACCESSORIES

Optional accessories are available through your Sub-Zero dealer.

#### CABINETRY DIMENSIONS Model I427



#### INTEGRATED PANEL SPECIFICATIONS Model I427

Door Panel Width	679 mm
Door Panel Height	1927 mm
Min Width of Top Rail	95 mm
Min Width of Bottom Rail	203 mm
Min Width of Stiles	57 mm
Door Frame Panel Weight Limit	9 kg
Min Panel Thickness	16 mm





**IMPORTANT NOTE:** The dimensions of these panels and stiles are assuming the models finish off at 2032 mm in height overall and have a 102 mm toe kick for the Model I427. If you finish off at 2134 mm, for instance, you must add 102 mm additional to the overall height of the panel and remember to add 102 mm to the top rail. Likewise, if you allow for a 152 mm toe kick for the Model I427, you must subtract 51 mm from the bottom rail.

Door panels for Models I427 and I427R can grow beyond the 2032 mm height to accommodate any size door as long as you stay below door panel weight limit of 9 kg. Refer to the specifications under Door Panel Height on page 43 of the Integrated section.

**IMPORTANT NOTE:** The toe kick area on the Model I427 cannot be larger than 152 mm, and no larger than 229 mm for the 427R. The toe kick area for either model cannot be less than 102 mm.

Please note in the Overall Dimensions illustrations the location of pre-drilled holes for optional handle hardware. Refer to page 60 for specifics about installing handle hardware on this overlay application.

**IMPORTANT NOTE:** If you are installing Sub-Zero's optional lock kit on a Model I427 or I427R, you may have to order door panels that exceed the 2032 mm finished height. Consult the lock kit installation instructions and see if your panels will allow for an adequate installation.

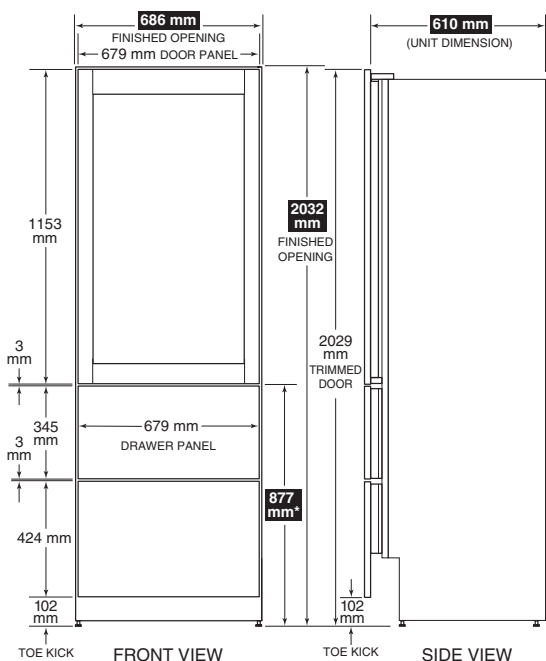
**IMPORTANT NOTE:** In the panel specifications for Model I427R, the bottom drawer panel height is based on a 102 mm toe kick. If you want to show a 152 mm toe kick, you must subtract 51 mm from the bottom drawer panel height.

### INSTALLATION

To install integrated panels, see the detailed procedures outlined in the Sub-Zero Wine Storage Installation Guide.

### CABINERY DIMENSIONS

Model I427R



\*13 mm ADJUSTMENT IN LEVELING LEGS

### INTEGRATED PANEL SPECIFICATIONS

Model I427R

Door Panel Width	679 mm
Door Panel Height	1153 mm
Min Width of Top Rail	95 mm
Min Width of Bottom Rail	76 mm
Min Width of Stiles	57 mm
Door Frame Panel Weight Limit	9 kg
Top Drawer Panel Width	679 mm
Top Drawer Panel Height	345 mm
Bottom Drawer Panel Width	679 mm
Bottom Drawer Panel Height	424 mm
Drawer Panel Weight Limit	5 kg each
Min Panel Thickness	16 mm



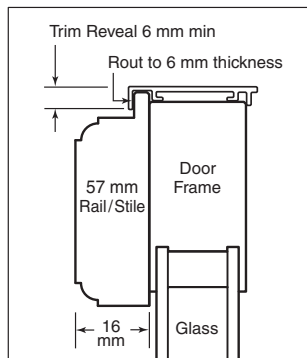
### OVERLAY PANELS – MODEL I430

Your overlay model will be shipped without handle hardware and with an 279 mm overlay panel grille as standard equipment. You will need to order a panel for the grille and hardware to complement your surrounding cabinetry.

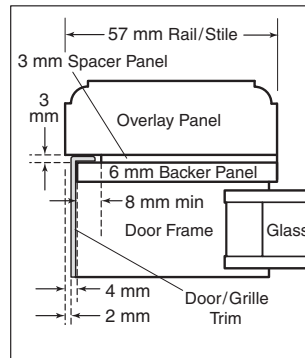
While the overlay panel design offers you a more seamless appearance, you need to be aware of adjacent cabinets and/or countertops when the door is opened. Refer to the full-scale illustrations at the end of the Built-In section.

To achieve the overlay look, you need three different panels—the decorative overlay panel, a 3 mm spacer panel and a 6 mm backer panel. Depending on your cabinet manufacturer, this could be one panel routed for different dimensions or more likely, three different panels. Refer to the Overlay Panel Specifications for complete details on the overlay sizing. In addition, illustrations 2 and 3 will give you a better idea of the panel construction and how it interacts with our frame.

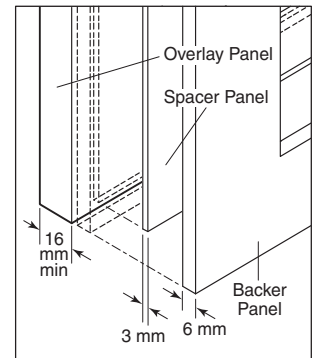
The glass door opening of the standard Model I430 is designed to be exposed to room air circulation. Decorative overlays on the glass should be kept to a minimum. Also, rails and stiles can be increased in size but should not exceed cabinet manufacturers' standard width. They cannot exceed overall door panel dimensions specified, as they would interfere with the operation of the door.



Illus. 1



Illus. 2



Illus. 3



The back sides of rails and stiles that will be visible through the glass door will need to be finished. Also, the inside edges of the frames must be finished to match the front surface.

As with the Sub-Zero Built-In models, you have the flexibility of ordering grilles in a variety of heights for the overlay application. Overlay grille panel dimensions for the overlay Model I430, standard 279 mm grille, are listed below. Refer to page 23 for optional grille height dimensions. The width of the overlay grille, spacer and backer panel will be the same regardless of the height.

In addition, side panel information for a Model I430 is available on page 21 of the Built-In section. Refer to illustration 11 on page 21 for placement of toe kick and grille area cut-outs.

INSTALLATION

To install overlay panels, see the detailed procedures outlined in the Sub-Zero Wine Storage Installation Guide.

CABINETY DIMENSIONS

Model I430



OVERLAY PANEL SPECIFICATIONS

Model I430 - Overlay (O)

Overlay Door Panel Width	<b>722 mm</b>
Overlay Door Panel Height	<b>1727 mm</b>
Spacer Panel Width	<b>699 mm</b>
Spacer Panel Height	<b>1073 mm</b>
Backer Panel Width	<b>714 mm</b>
Backer Panel Height	<b>1719 mm</b>
Min Width of Rails and Stiles	<b>57 mm</b>
Door Frame Panel Weight Limit	<b>11 kg</b>
Min Panel Thickness	<b>16 mm</b>

GRILLE PANEL SPECIFICATIONS

Model I430 - Overlay (O)

Overlay Grille Panel Width	<b>722 mm</b>
Overlay Grille Panel Height*	<b>260 mm</b>
Spacer Panel Width	<b>699 mm</b>
Spacer Panel Height*	<b>236 mm</b>
Backer Panel Width	<b>714 mm</b>
Backer Panel Height*	<b>252 mm</b>
Grille Panel Weight Limit	<b>7 kg</b>
Min Panel Thickness	<b>16 mm</b>

\*Grille panel dimensions are for standard 279 mm grille. Refer to page 22 for optional grille heights.



ACCESSORIES

Optional accessories are available through your Sub-Zero dealer.

## HARDWARE CONSIDERATIONS

With Model I424 (overlay), Models I427 and I427R (integrated) and Model I430 (overlay), you must supply your own handle hardware. It is recommended you use our optional handles and use the pre-drilled holes supplied to locate the handles within the frame of our unit. The metal frame on the door has numerous mounting holes on each side to accommodate Sub-Zero accessory handles. This will allow you to provide the best possible handle alignment and not take away from the strength of the stile in this area after the unit is used a number of times. We recommend using a pull handle and not a pull knob.

If you elect to place different hardware on these units, we encourage you to fasten the hardware by passing through our door and attaching the hardware through the Sub-Zero door's frame.

Optional stainless steel handles are available in a variety of diameters and lengths, as are handles to match the style of Wolf ovens. Contact your Sub-Zero dealer for specifics.

### **⚠ CAUTION**

When planning for hardware, refer to the Door Frame Profile full-scale illustration on the following page to give you a better understanding of the unit's frame and positioning of the glass for the door. You must not drill through this glass.

## WINE SHELF WOOD FACING

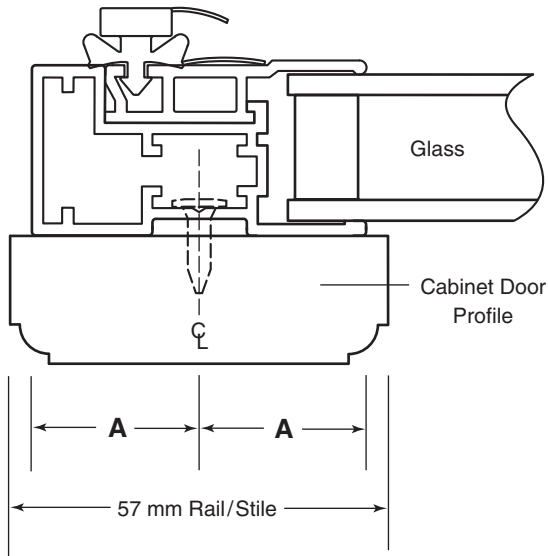
Sub-Zero has provided a natural cherry wood facing to its wine storage shelves in each model. You can also replace these strips with wood more complementary to your design and surrounding cabinetry.

The Wine Shelf Wood Facing illustration on the following page can be used as a full-scale template. You must follow the layout of this format to accommodate the shelves properly. To remove the cherry strips, take the shelves out and remove the screws. Reverse the procedure to affix the new wood.

If you choose to stain or seal the wood facing, be aware that some of these substances are hazardous and will damage stored wine.



## DOOR FRAME PROFILE



### DOOR FRAME HANDLE OFFSET *Wine Storage Models*

#### Dimension A

Model I424	25 mm
Model I427	22 mm
Model I427R	22 mm
Model I430	24 mm

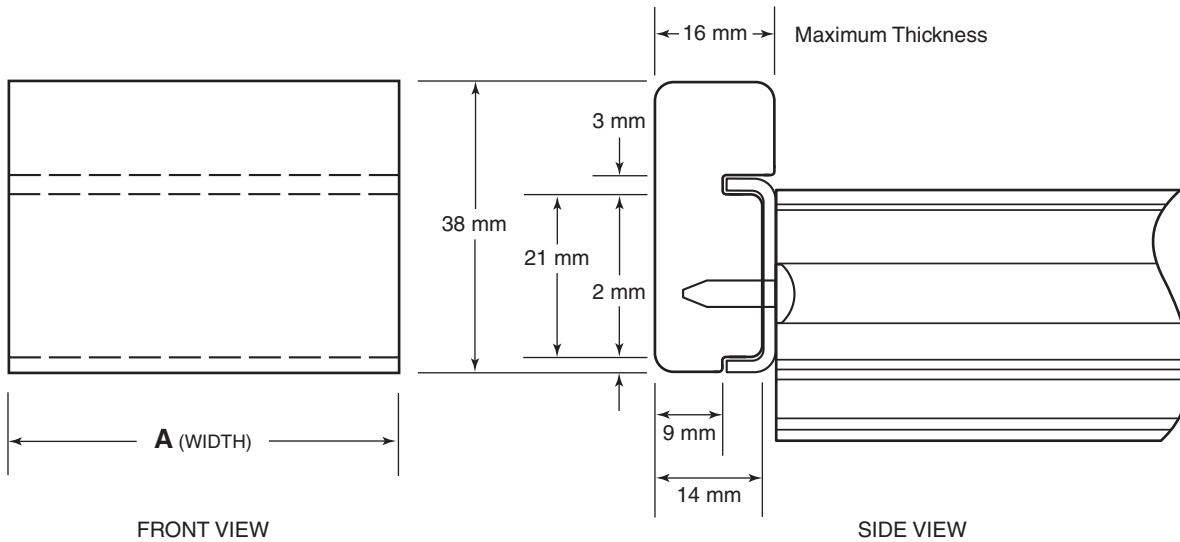
### FULL-SCALE TEMPLATES

**IMPORTANT NOTE:** Rails and stiles must be a minimum of 57 mm wide (except for the rails of Models I427 and I427R, which must be wide enough to cover the door hinges). The back sides of rails and stiles that will be visible through the glass door will need to be finished.

The full-scale illustrations on the following pages enable you to understand some of the unique situations you may face as you plan for the installation of the Wine Storage units. Use these illustrations as templates.

This full-scale illustration is typical of the Model I424 door frame profile; details of the other Wine Storage door frames will vary slightly.

## WINE SHELF WOOD FACING



This full-scale illustration provides the dimensions you will need should you choose to replace the natural cherry wood facing of each wine shelf with wood more complementary to your design and surrounding cabinetry.

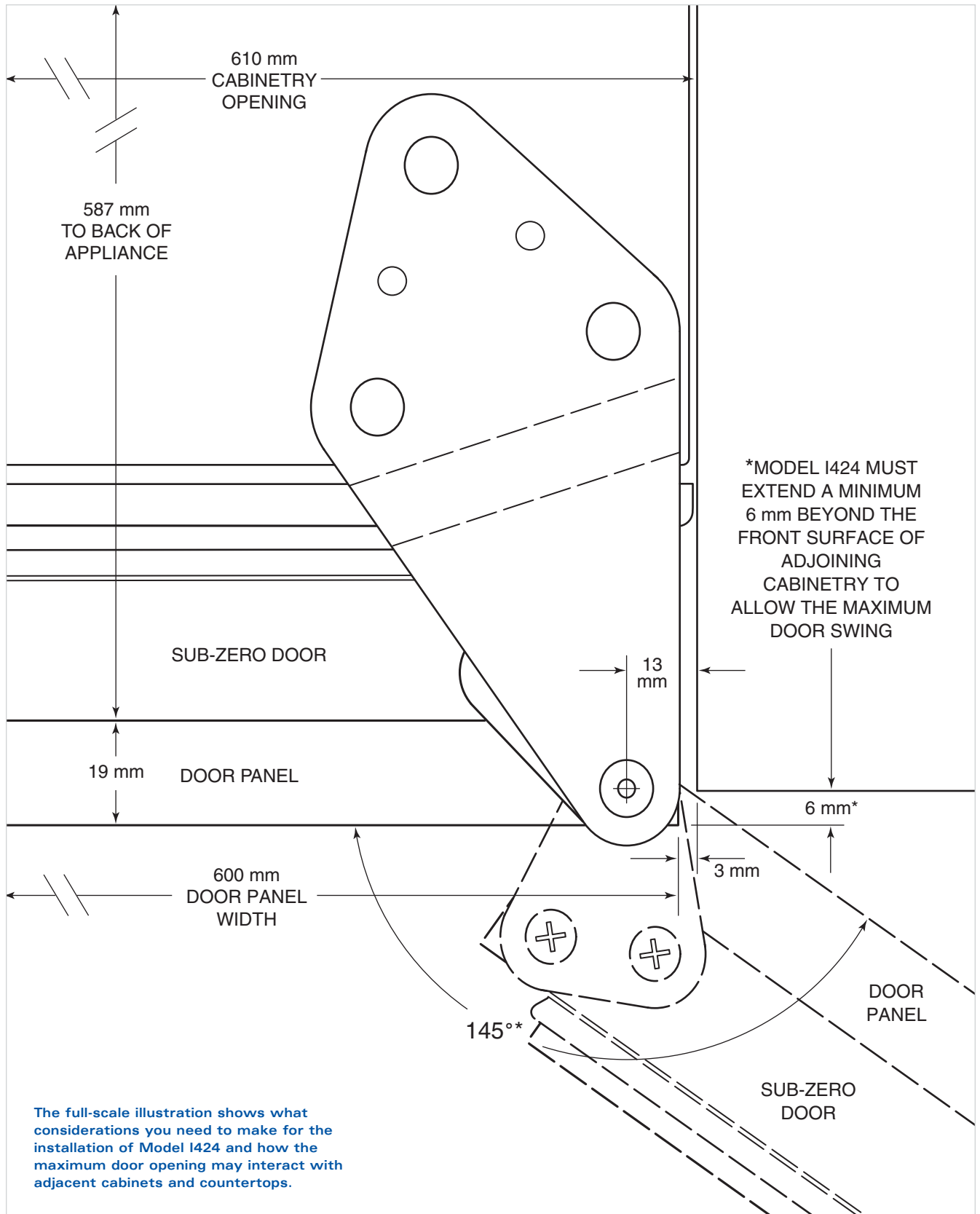
### WINE SHELF WOOD FACING *Wine Storage Models*

#### Dimension A

Model I424	495 mm
Model I424FS	495 mm
Model I427	532 mm
Model I427R	532 mm
Model I430	624 mm



MODEL I424 - DOOR CLOSED AND 145° MAX OPENING





## NEW UNDERCOUNTER REFRIGERATION

Available in 2007

Aside from the full-size models that Sub-Zero offers in its Built-In and Integrated lines of refrigeration and its Wine Storage equipment, we round out our product line-up with a new line of Undercounter refrigeration available in 2007.

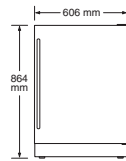
Our new Undercounter line consists of an all refrigerator model, an all refrigerator beverage center, a refrigerator/freezer combination model and an all refrigerator model designed for outdoor applications. The existing ice maker Model 315IP will continue to be offered.

The Undercounter models accept a decorative door panel for an overlay or stainless steel application and can be built in to fit flush with virtually any base cabinet style. The outdoor Model UC-24RO is available in classic stainless steel only and comes with door panel and handle in place. Model UC-24RO must also be built-in into cabinetry and is not designed to be a free-standing unit.

A classic stainless steel door panel with handle is available as a sales accessory for Models UC-24R and UC-24C. Contact your Sub-Zero dealer for information on accessory panels and handles. Model UC-24B must be ordered as overlay (UC24-B/O) or stainless steel (UC-24B/S). Optional stainless steel panels and handles for Model 315IP are offered in classic stainless steel.

NEW

### ALL REFRIGERATOR

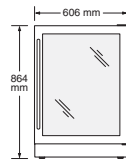


#### MODEL UC-24R

All Refrigerator

NEW

### BEVERAGE CENTER

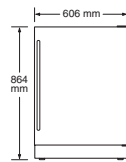


#### MODEL UC-24B

All Refrigerator

NEW

### COMBINATION

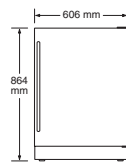


#### MODEL UC-24C

Combination Refrigerator/Freezer

NEW

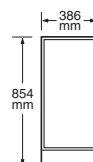
### OUTDOOR MODEL



#### MODEL UC-24RO

All Refrigerator

### ICE MAKER



#### MODEL 315IP

Ice Maker

Comprehensive installation instructions are shipped with each model. Refer to those instructions in preparing and installing all Sub-Zero products. The instructions can also be found on our website, [subzero.com](http://subzero.com).



UNDERCOUNTER

**MODEL UC-24R**

**NEW**

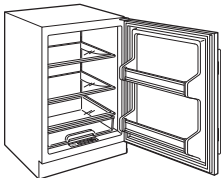
ALL REFRIGERATOR

**SPECIFICATIONS**

Overall Width	<b>606 mm</b>
Overall Height	<b>864 mm</b>
Overall Depth	<b>610 mm</b>
Refrigerator Capacity	<b>161 L</b>
Min Height Required	<b>870 mm</b>
Door Swing Clearance	<b>645 mm</b>
Specify Door Swing	<b>LH or RH</b>
Shipping Weight	<b>59 kg</b>

**FEATURES**

- 2 Adjustable Glass Shelves
- 1 Utility Bin
- 2 Door Shelves



**MODEL UC-24R**

**MODEL UC-24B**

**NEW**

BEVERAGE CENTER

**MODEL OPTIONS**

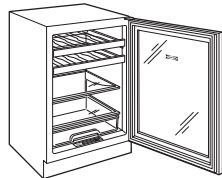
Overlay Design	<b>UC-24B/O</b>
Classic Stainless Steel	<b>UC-24B/S</b>

**SPECIFICATIONS**

Overall Width	<b>606 mm</b>
Overall Height	<b>864 mm</b>
Overall Depth	<b>610 mm</b>
Refrigerator Capacity	<b>161 L</b>
Wine Storage Capacity	<b>16 bottles*</b>
Min Height Required	<b>870 mm</b>
Door Swing Clearance	<b>645 mm</b>
Specify Door Swing	<b>LH or RH</b>
Shipping Weight (O)	<b>59 kg</b>
Shipping Weight (S)	<b>61 kg</b>

**FEATURES**

- 2 Wine Storage Shelves
- 1 Adjustable Glass Shelf
- 1 Utility Bin
- Full-View Glass Door



**MODEL UC-24B**

**MODEL UC-24C**

**NEW**

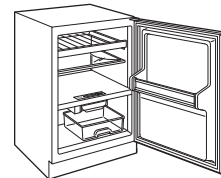
COMBINATION REFRIGERATOR | FREEZER

**SPECIFICATIONS**

Overall Width	<b>606 mm</b>
Overall Height	<b>864 mm</b>
Overall Depth	<b>610 mm</b>
Refrigerator Capacity	<b>102 L</b>
Wine Storage Capacity	<b>8 bottles*</b>
Freezer Capacity	<b>31 L</b>
Min Height Required	<b>870 mm</b>
Door Swing Clearance	<b>645 mm</b>
Specify Door Swing	<b>LH or RH</b>
Shipping Weight	<b>59 kg</b>

**FEATURES**

- 1 Wine Storage Shelf
- 1 Adjustable Glass Shelf
- 1 Door Shelf
- Automatic Defrost
- Automatic Ice Maker



**MODEL UC-24C**

*\*750 ml bottles*

*Optional stainless steel panels and handles are ordered and shipped as sales accessories for Models UC-24R, UC-24C and 315IP.*





UNDERCOUNTER

**MODEL UC-24RO** **NEW**

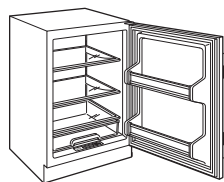
ALL REFRIGERATOR  
OUTDOOR MODEL

**SPECIFICATIONS**

Overall Width	<b>606 mm</b>
Overall Height	<b>864 mm</b>
Overall Depth	<b>610 mm</b>
Refrigerator Capacity	<b>161 L</b>
Min Height Required	<b>870 mm</b>
Door Swing Clearance	<b>645 mm</b>
Specify Door Swing	<b>LH or RH</b>
Shipping Weight	<b>59 kg</b>

**FEATURES**

- 2 Adjustable Glass Shelves
- 1 Utility Bin
- 2 Door Shelves
- Door Lock
- Classic Stainless Steel Finish



**MODEL UC-24RO**

**MODEL 315IP**

ICE MAKER

**SPECIFICATIONS**

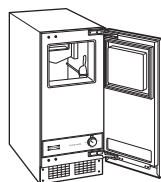
Overall Width	<b>386 mm</b>
Overall Height	<b>854 mm</b>
Overall Depth	<b>610 mm</b>
Ice Storage Capacity	<b>12 kg</b>
Min Height Required	<b>857 mm</b>
Door Swing Clearance	<b>387 mm</b>
Shipping Weight	<b>45 kg</b>

**FEATURES**

- Automatic Ice Maker
- Automatic Defrost
- Reversible Door Swing
- Drain Pump

**PANEL OPTIONS**

- Custom Wood Panel
- Classic stainless steel finish (includes handle)



**MODEL 315IP**

**ACCESSORIES**

**Optional accessories are available through your Sub-Zero dealer.**

**ACCESSORIES**

*Contact your Sub-Zero Dealer*

**Classic stainless steel door front panel with tubular handle**

**Classic stainless steel tubular handle for overlay application**

**UL approved door lock**



## UNDERCOUNTER FEATURES

**Overlay Application.** The overlay application blends seamlessly into your overall room design and complements surrounding cabinetry. You add the decorative door front panel and hardware. Sub-Zero accessories handles are available. The overlay application is available for all Undercounter models except Model UC-24RO. Model UC-24B must be ordered specifically as overlay (UC24-B/O).

**Stainless Steel Application.** Classic stainless steel door front panel and handle is available as an accessory for Models UC-24R, UC-24C and 315IP. Model UC-24B must be ordered specifically as stainless steel (UC24-B/S). Model UC-24RO is available as a classic stainless steel model only and comes with door panel and handle in place.

## ACCESSORIES

Optional accessories are available through your Sub-Zero dealer.

## UNDERCOUNTER MODEL FEATURES

**Electronic Controls.** The electronic controls with digital readout LCD display are up front and easy to access.

**Glass Shelves.** The cantilevered glass shelves are adjustable, easy to clean and spill proof. The glass floor is also spill proof.

**Utility Bin.** All units except Model UC-24C feature a clear utility bin for storage of smaller items.

**Wine Storage.** Models UC-24B and UC-24C feature wine storage of 16 and 8 (750 ml) bottles, respectively. The roller-glide wine storage shelves faced with natural cherry wood have a three-quarter extension for easy access.

**Glass Door—Model UC-24B.** The full-view glass door and accent lighting of Model UC-24B matches the appearance of Wine Storage Model I424.

**Ice Maker.** Model UC-24C refrigerator/freezer features an automatic ice maker with clear ice bucket. The ice maker provides high-quality, crescent-shaped ice that won't stick to the side of the glass.

**Two-Litre Bottle Storage.** All units except Model UC-24B feature two-litre bottle storage in the bottom door shelf.

**Door Lock.** A UL approved lock is standard on Model UC-24RO and available as a sales accessory for all other models.

**Sabbath Feature.** The Sabbath feature will allow the lights to remain off during certain religious observances.

## 315IP MODEL FEATURES

Built-in pump to allow water to drain into an adjacent sink.

Ice storage capacity of up to 11.8 kg.

## PLANNING INFORMATION

Refer to the Installation Specifications for information regarding area requirements, minimum door clearance, placement of electrical and plumbing (Models UC-24C and 315IP).

## PLUMBING REQUIREMENTS

For Models UC-24C and 315IP, rough in the water supply line. Connect a 6.35 mm OD copper line to the house supply with an easily accessible shut-off valve between the supply and the unit. A minimum of 660 mm of copper tubing is required for the water line.

Do not use self-piercing valves. A saddle valve kit (4200880) is available from your Sub-Zero dealer. An in-line filter is required when water conditions have a high sediment content.

The ice maker operates on constant water pressure between 1.4 bar and 6.9 bar.

**IMPORTANT NOTE:** In some cases, a reverse osmosis water filter system may not be able to maintain the minimum pressure consistently.

## ELECTRICAL REQUIREMENTS

A 115 V AC, 60 Hz, 15 amp circuit breaker and electrical supply are required. A separate circuit, servicing only this appliance is required.

All Undercounter models are equipped with a power supply cord with a 3-prong grounding plug, which must be plugged into a mating 3-prong grounding-type wall receptacle. Follow local codes and ordinances when installing the receptacle. Refer to the Installation Specifications illustrations.

**IMPORTANT NOTE:** The Model UC-24RO is designed and safe for use in outdoor applications. When installed outdoors, a ground fault circuit interrupter (GFCI) is required to reduce the risk of electrical shock. A GFCI is not recommended for use with other Undercounter models and may cause interruption of operation.

## MODEL OPTIONS

**Model UC-24R**  
All Refrigerator

**Model UC-24B**  
All Refrigerator  
Beverage Center

**Model UC-24C**  
Refrigerator / Freezer  
with Ice Maker

**Model UC-24RO**  
All Refrigerator  
Outdoor Model

**Model 315IP**  
Ice Maker with  
Drain Pump

## INSTALLATION SPECIFICATIONS

### Undercounter Models

#### Overall Dimensions

Overall Width	<b>606 mm</b>
Overall Height	<b>864 mm</b>
Overall Depth	<b>610 mm</b>

#### Finished Opening Dimensions

Opening Width	<b>610 mm</b>
Opening Height	<b>876 mm</b>
Opening Depth	<b>610 mm</b>
Door Swing Clearance	<b>645 mm</b>

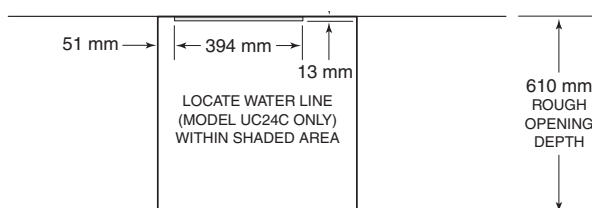
#### Model 315IP

Min Door Clearance	<b>387 mm</b>
Water Supply	<b>203 mm</b>

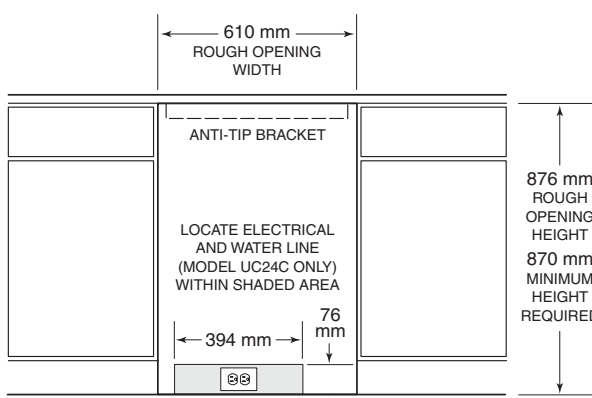
Models without an ice maker will not require the water line connection.

For Model 315I(P), the electrical supply can be located anywhere on the back wall.

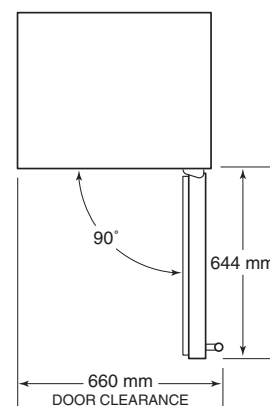
Door swing clearance based on stainless steel door panel and handle dimensions.



TOP VIEW



FRONT VIEW





UNDERCOUNTER

### DRAIN PUMP – MODEL 3151P

This ice maker comes with a built-in drain pump. The drain and inlet water tubes must be plumbed before connecting to the ice maker. An air gap will likely be required between the ice maker drain tube and the drain/waste receptacle. A stand pipe with a trap below it would be acceptable for the drain/waste receptacle. Refer to the illustrations below.

**IMPORTANT NOTE:** Poor drainage will cause a high rate of ice melting in the bin.

### DOOR PANEL – MODEL 3151P

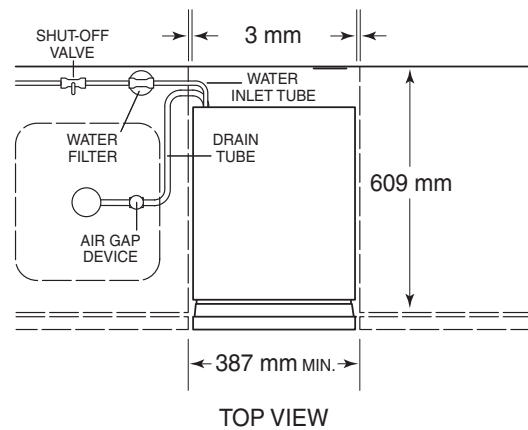
It is important to understand the differences in mounting any wood panel to the Model 3151P. Refer to the installation instructions packaged with the unit to understand how the panel is installed. It does not require a 6 mm backer. Door panel dimensions are 381 mm wide by 772 mm high and must be a minimum of 16 mm thick. The maximum door panel weight is 7 kg. No handle recess is required.

## INSTALLATION

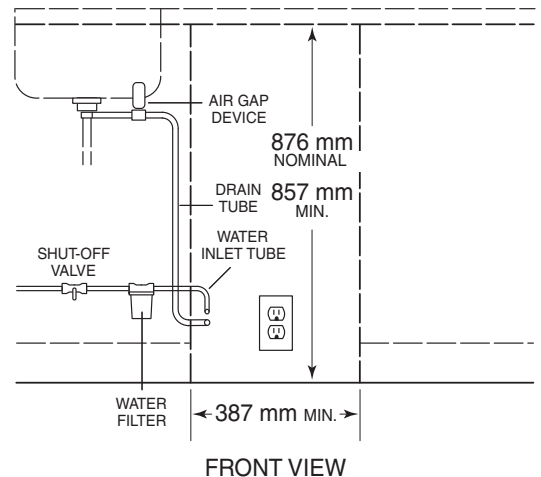
Refer to the installation instructions shipped with each Sub-Zero product for detailed specifications.

## INSTALLATION SPECIFICATIONS

### Model 3151P - Drain Pump



TOP VIEW



FRONT VIEW



### OVERLAY DOOR PANEL – MODELS UC-24R AND UC-24C

The overlay door panel design allows for a decorative panel to cover the door trim for a seamless appearance that will compliment surrounding cabinetry. You may also choose to match the handle hardware of surrounding cabinetry.

Refer to the Overlay Panel Specifications below for your specific model. Illustration 1 below applies to Models UC-24R and UC-24C. Illustration 2 applies to Model UC-24B. Outdoor Model UC-24RO is available as a classic stainless steel model only and comes with door panel and handle in place.

### OVERLAY DOOR PANEL – MODEL UC-24B

The overlay door panel applied to the Model UC-24B will consist of only a frame and will affix directly to the door with screws through a series of predrilled holes in the perimeter of the door.

The glass door opening of the Model UC-24B is designed to be exposed to room air circulation. Decorative overlays on the glass should be kept to a minimum. Rails and stiles must be a minimum of 57 mm wide. They can be increased in size but should not exceed cabinet manufacturers standard width. Rails and stiles cannot exceed the overall door panel dimensions specified in the Overlay Panel Specifications, as they would interfere with the operation of the door. The back sides of rails and stiles that will be visible through the glass door will need to be finished. Also, the inside edges of the frames must be finished to match the front surface.

#### INSTALLATION

To install framed or overlay panels, see the detailed procedures outlined in the Sub-Zero Undercounter Installation Guide.

Refer to the full-scale illustrations at the end of this section for specifics on door openings and other specifications.

#### OVERLAY PANEL SPECIFICATIONS

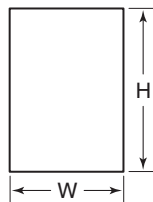
##### Undercounter Models

##### Models UC-24R and UC-24C

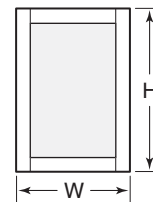
Door Panel Width	603 mm
Door Panel Height	764 mm
Panel Thickness	16 mm min
Panel Weight Limit	9 kg max

##### Model UC-24B

Door Panel Width	603 mm
Door Panel Height	764 mm
Width of Rails and Stiles	57 mm min
Panel Thickness	16 mm min
Panel Weight Limit	5 kg max



Illus. 1



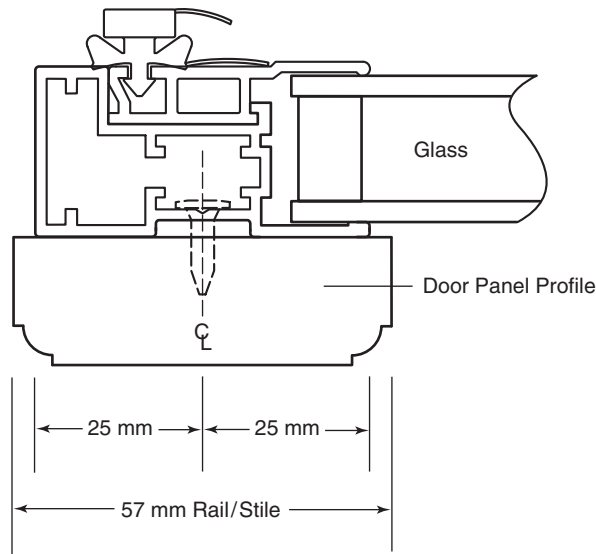
Illus. 2



### DOOR FRAME PROFILE - MODEL UC-24B

#### FULL-SCALE TEMPLATES

The full-scale illustrations on the following pages enable you to understand some of the unique situations you may face as you plan for the installation of the Undercounter units. Use these illustrations as templates.

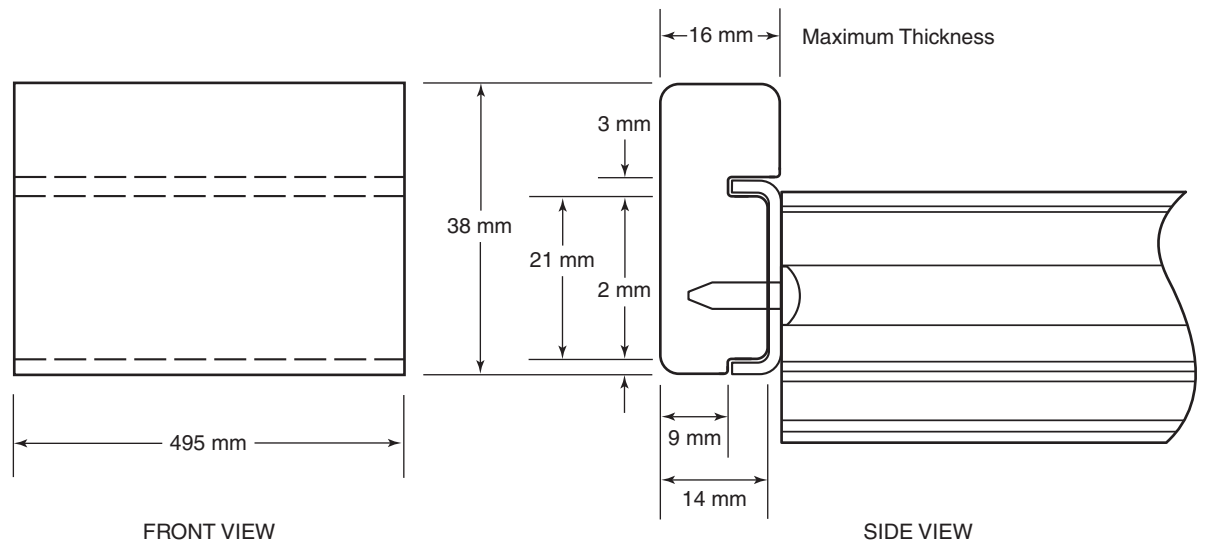


The full-scale illustration shows the door frame profile for Model UC-24B.

**IMPORTANT NOTE:** Rails and stiles must be a minimum of 57 mm wide. The back sides of rails and stiles that will be visible through the glass door will need to be finished.

DOOR FRAME PROFILE

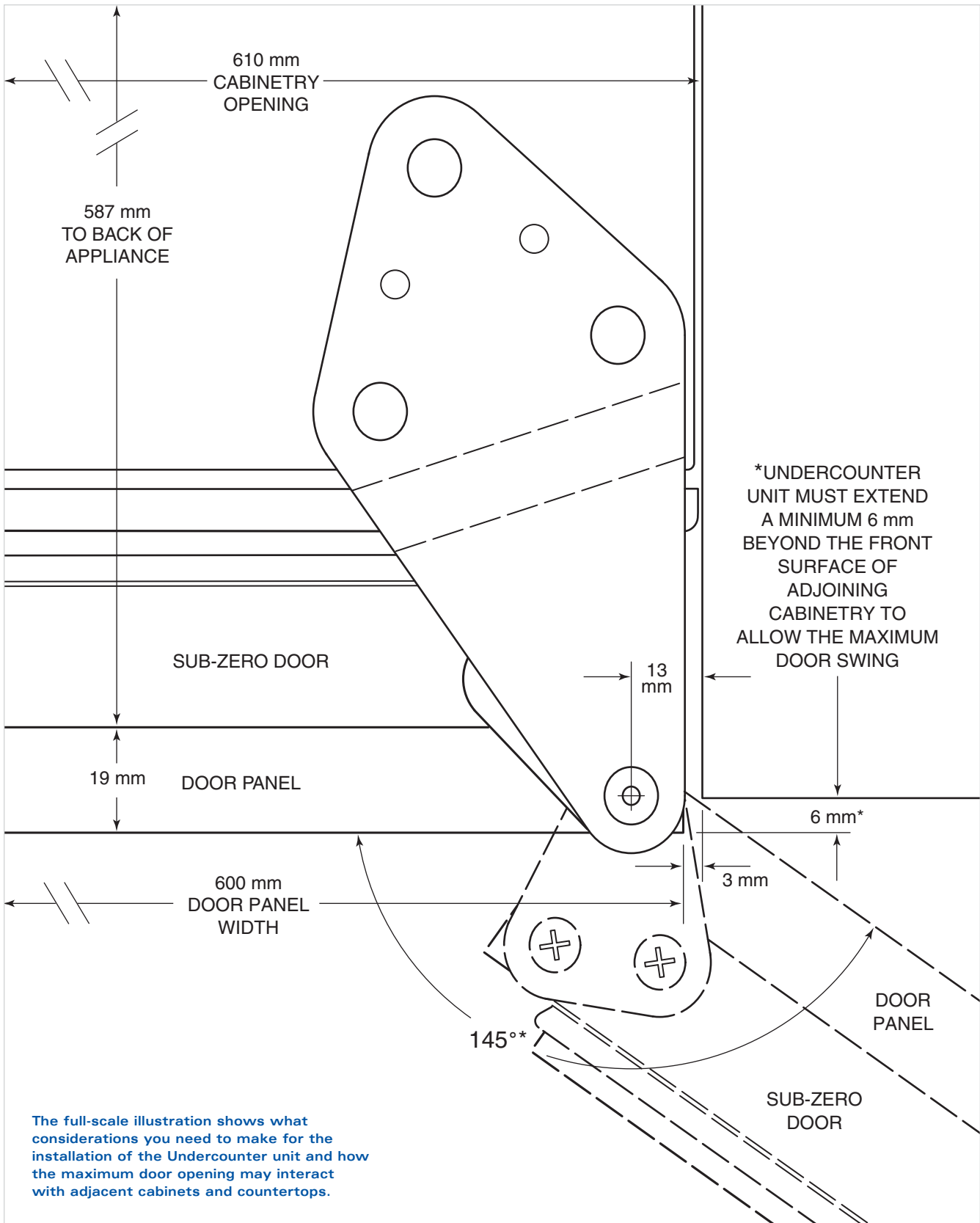
### WINE SHELF WOOD FACING - MODELS UC-24B AND UC-24C



For Models UC-24B and UC-24C, use the full-scale illustration above as a template if you choose to replace the natural cherry wood facing with wood more complementary to your design and surrounding cabinetry.



### UNDERCOUNTER DOOR CLOSED AND 145° MAX OPENING



SUB-ZERO, INC.  
PO BOX 44130  
MADISON, WI 53744 USA  
SUBZERO.COM

7001871 2/2007





## Free Manuals Download Website

<http://myh66.com>

<http://usermanuals.us>

<http://www.somanuals.com>

<http://www.4manuals.cc>

<http://www.manual-lib.com>

<http://www.404manual.com>

<http://www.luxmanual.com>

<http://aubethermostatmanual.com>

Golf course search by state

<http://golfingnear.com>

Email search by domain

<http://emailbydomain.com>

Auto manuals search

<http://auto.somanuals.com>

TV manuals search

<http://tv.somanuals.com>