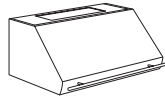


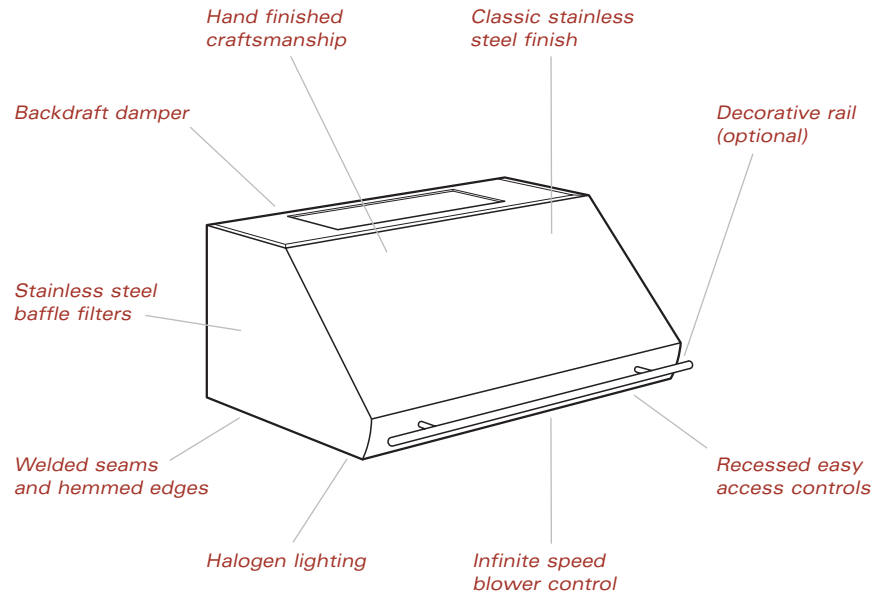
Model W362418(R) Pro Wall Hood



Model W362418



Model W362418R
- Rail Option



Model W362418R shown with standard classic stainless steel decorative rail, platinum or brass rail available as a sales accessory

► Wolf Pro 24" (610) deep wall hoods are available in the classic stainless steel finish. Rail option hoods (R) come with a classic stainless steel decorative rail and stand-offs. Optional platinum or brass rails match dual fuel range bezels. Pro wall hoods are sold as a shell only; internal, in-line and remote blower options are available

Wolf Pro wall hoods provide the ultimate in ventilation. With standard elements like heat sentry and dual setting halogen lighting, Wolf elevates the need for ventilation to an enjoyable perk.

Pro 24" (610) deep wall hoods are available in the classic stainless steel finish. You also have the option of a decorative rail. While a classic stainless steel rail is standard on (R) models, platinum or brass rails are available to match the bezels of our dual fuel ranges and sealed burner rangetops.

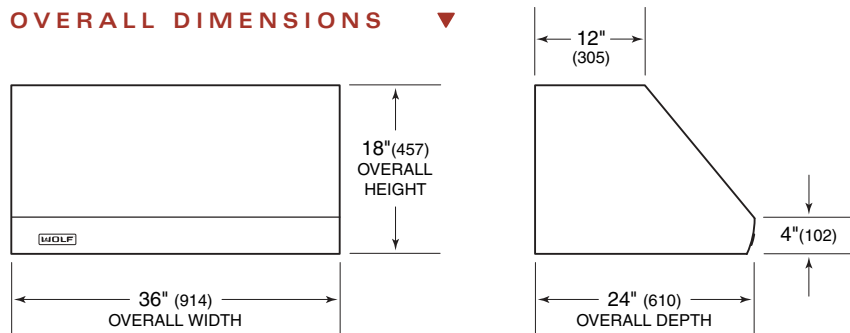
Pro wall ventilation hoods are recommended for use with all Wolf cooking appliances. For optimal performance, a Pro 27" (686) deep wall hood is recommended for use with ranges and rangetops that contain a charbroiler or griddle.

Model W362418(R) Pro Wall Hood

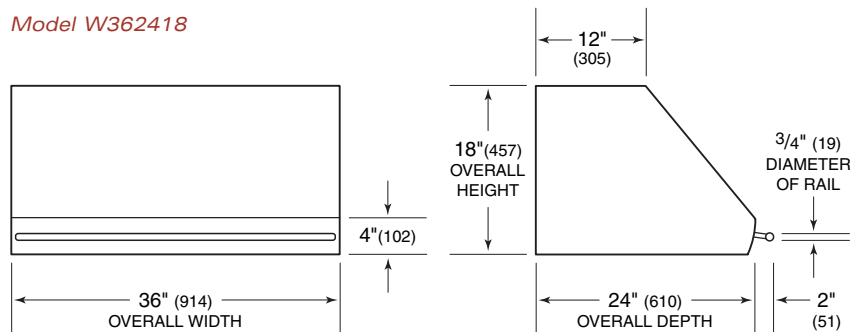
FEATURES

- ▶ 36" (914) wide by 24" (610) deep wall ventilation hood with classic stainless steel finish
- ▶ Rail option hoods (R) come with a classic stainless steel decorative rail and stand-offs – optional platinum or brass rail to match dual fuel range and sealed burner rangetop bezels is available as a sales accessory
- ▶ Internal, in-line and remote blower options
- ▶ Heavy-duty 16-gauge brushed stainless steel construction
- ▶ Stainless steel enclosed liner
- ▶ Continually welded seams, hemmed edges and sides and hand finished craftsmanship
- ▶ Recessed easy access controls
- ▶ Infinite speed blower control
- ▶ Heat sentry feature automatically turns unit on when heat is sensed and automatically adjusts blower speed
- ▶ Halogen lighting with two settings
- ▶ Removable, dishwasher-safe, restaurant-grade stainless steel baffle filters
- ▶ Transition with backdraft damper included
- ▶ UL listed to US and Canadian safety standards
- ▶ UL approved for covered outdoor applications
- ▶ Two and five year residential warranty – exclusions apply; warranty information can be found on our website, wolfappliance.com

OVERALL DIMENSIONS ▼



Model W362418



Model W362418R with Rail

Dimensions may vary by $\pm 1/8$ " (3).

Dimensions in parentheses are in millimeters unless otherwise specified.

Model W362418(R) Pro Wall Hood

BLOWER OPTIONS ▼

600 CFM Internal Blower	807614
900 CFM Internal Blower	805086
1100 CFM In-Line Blower	808332
900 CFM Remote Blower	801641
1200 CFM Remote Blower	801642
1500 CFM Remote Blower	804701

Refer to the Pro Ventilation Recommendations chart at the end of this section.

ACCESSORIES

- ▶ Platinum or brass decorative rail and stand-offs
- ▶ 38" (965) high stainless steel backsplash with or without warming rack
- ▶ 6" (152) and 12" (305) duct covers
- ▶ Recirculating kit

Contact your Wolf dealer for additional information on accessories.

SPECIFICATIONS ▼

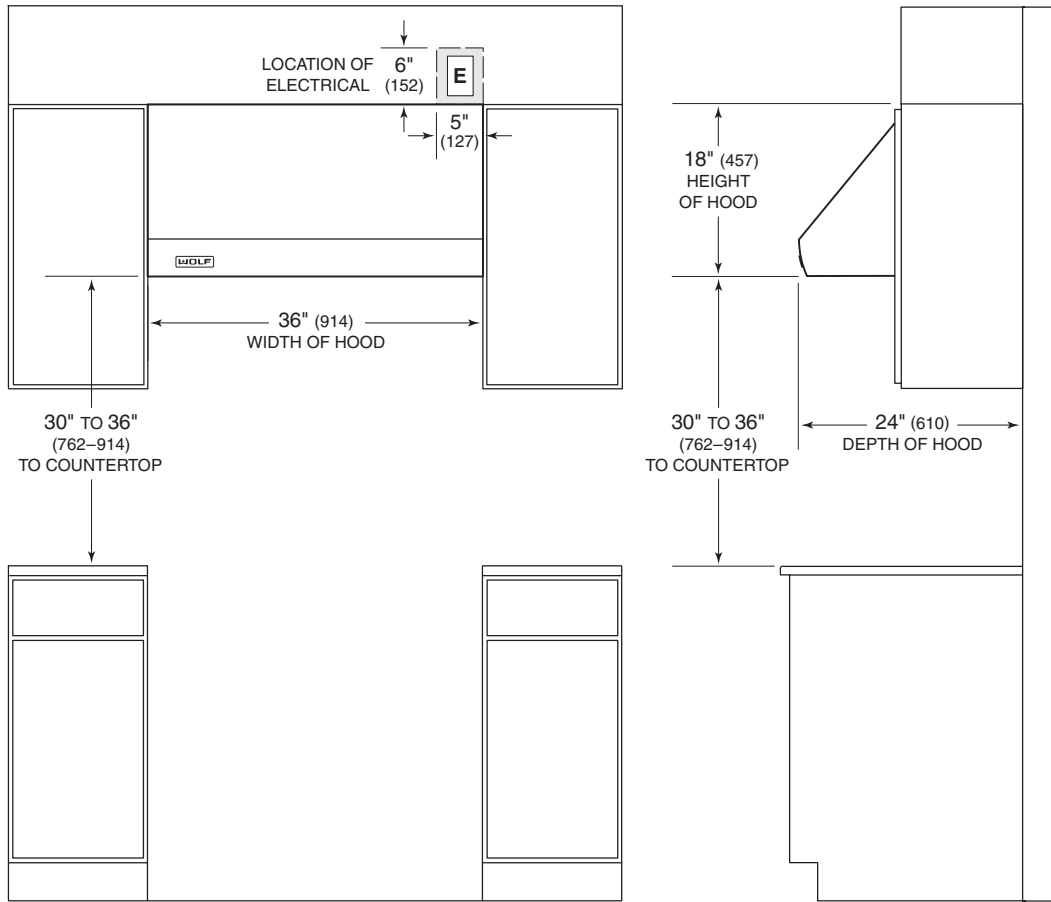
Overall Width of Hood	36" (914)
Overall Height of Hood	18" (457)
Overall Depth of Hood - W362418	24" (610)
W362418R (including rail)	26" (660)
Duct Size	10" (254) Round
Discharge	Vertical (internal and in-line blowers) Vertical or Horizontal (remote blowers)
Electrical Supply Requirements	110/120 V AC, 60 Hz 15 amp dedicated circuit
Shipping Weight	78 lbs (35 kg)

For optimal performance, a Pro 27" (686) deep wall hood is recommended for use with ranges and rangetops that contain a charbroiler or griddle.

Specifications are subject to change without notice.

Model W362418(R) Pro Wall Hood

INSTALLATION SPECIFICATIONS



NOTE: Horizontal discharge is applicable on 24" (610) deep wall hoods used with WBLOWER-60INT or any remote blower. WBLOWER-90INT is not for use in horizontal discharge applications. 27" (686) deep wall hoods are vertical discharge only.

DIMENSIONS

Overall Width of Hood	36" (914)
Overall Height of Hood	18" (457)
Overall Depth of Hood (excluding rail)	24" (610)
Countertop to Bottom of Hood	30" (762) to 36" (914)
Location of Electrical	Within shaded area

See Installation Instructions shipped with unit for detailed specifications.

Dimensions in parentheses are in millimeters unless otherwise specified.

Model W362418(R) Pro Wall Hood

INSTALLATION NOTES

▶ Refer to the illustrations and specifications for overall dimensions and installation specifics.

▶ Wolf Pro wall ventilation hoods are recommended for use with any Wolf cooking appliance, and should be at least as wide as the cooking surface. It is recommended that the hood overlap the cooking surface by 3" (76) on either side.

▶ For optimal performance, a Pro 27" (686) deep wall hood is recommended for use with ranges and rangetops that contain a charbroiler or griddle.

▶ Installation of all Pro wall hoods should be 30" (762) to 36" (914) from the bottom of the hood to the countertop. Follow the dimensions shown in the Installation illustration.

▶ Wolf Pro wall hoods are shipped without a blower assembly. Internal, in-line and remote blower assemblies are available. Blower options also vary with the volume of air that needs to be moved and the length of the duct run. Refer to the end of this section for Pro ventilation recommendations and blower options.

IMPORTANT NOTE: Install this ventilation hood only with a Wolf blower.

▶ Pro wall hoods require a separate, grounded 110/120 V AC, 60 Hz power supply. The service should have its own 15 amp circuit breaker.

Placement of the electrical supply is not critical, as long as you provide a minimum of 6" (152) of 120 V AC, 60 Hz power cable. Locate electrical within the shaded area shown in the Installation illustration. Note that the location of the electrical supply will differ between vertical and horizontal discharge blowers.

▶ You must follow all National Electrical Code regulations. In addition, be aware of local codes and ordinances when installing your service.

▶ Refer to the installation instructions shipped with each Wolf product for detailed specifications. This information can also be found on our website, wolfappliance.com.

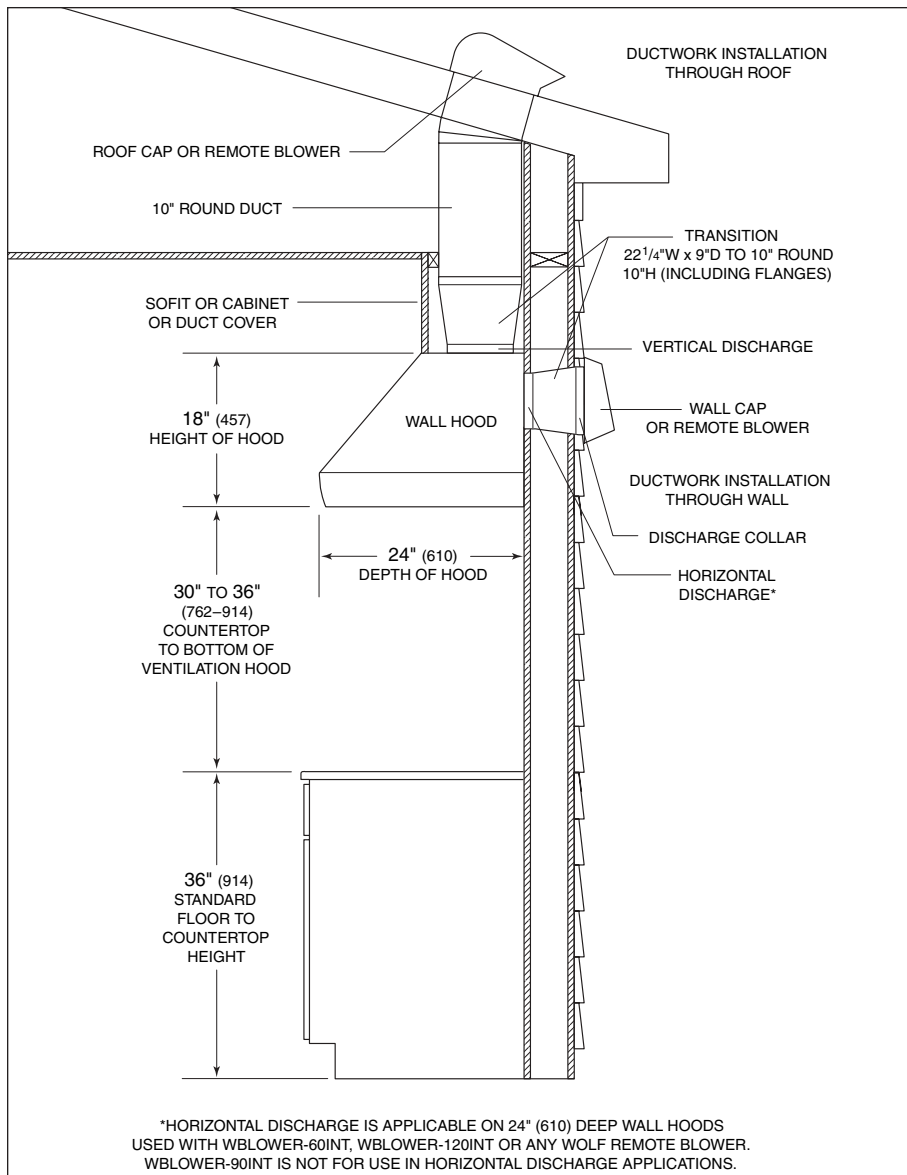
Model W362418(R) Pro Wall Hood

DUCTING CONSIDERATIONS

Wolf Pro 24" (610) deep wall hoods are shipped without the blower assembly. Internal, in-line or remote blower assemblies are available. The remote blower can be mounted on the roof or an exterior wall. Refer to the illustration below for ducting options.

Pro 24" (610) deep wall hoods have an adjustable discharge location that can run vertically or horizontally. Horizontal discharge is applicable on 24" (610) deep hoods used with WBLOWER-60INT or WBLOWER-120INT or any remote blower. WBLOWER-90INT is not for use in horizontal discharge applications.

Refer to the Pro ventilation charts at the end of this section for recommendations and blower options.



Ducting considerations for Pro 24" (610) deep wall hoods.

Dimensions in parentheses are in millimeters unless otherwise specified.

Wolf Ventilation Recommendations

WOLF BLOWER ASSEMBLIES

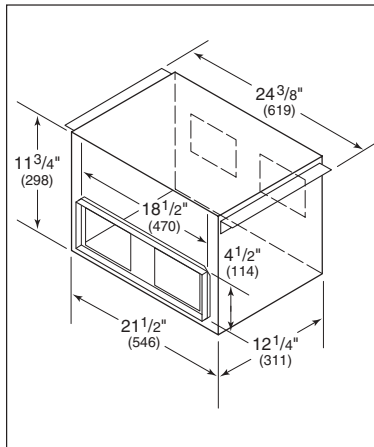
A ventilation system must include a blower assembly. With a few exceptions where internal blowers are included, Wolf ventilation hoods and downdrafts are shipped without the blower assembly. An internal, in-line or remote blower assembly must be selected to accommodate the cooking appliance, CFM requirements and homeowner preferences. Internal, in-line and remote blower assemblies are available as sales accessories through your Wolf dealer.

Wolf internal, in-line and remote blowers are for use with Wolf cooktop hoods, downdraft systems and Pro ventilation hoods and hood liners.

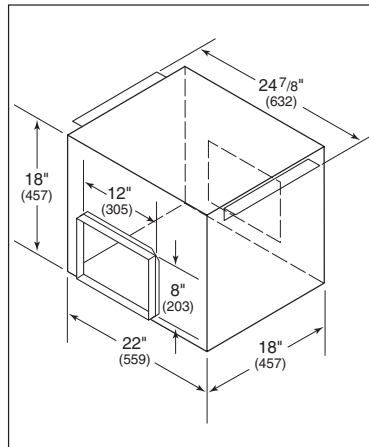
IMPORTANT NOTE: Use only a Wolf blower with all Wolf ventilation products.

Internal blowers are mounted inside the hood canopy or downdraft blower box. In-line blowers are mounted in between the hood and the exterior of the home. Remote blowers can be mounted on the roof or in some cases, on an exterior wall. Refer to the illustrations below for dimensions of Wolf in-line and remote blowers.

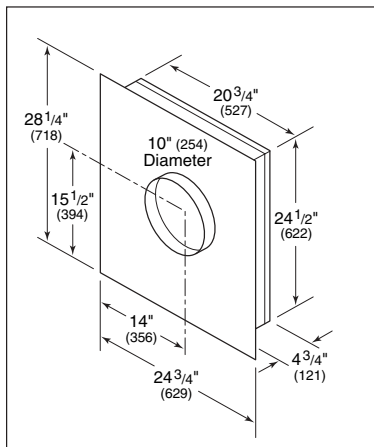
Ventilation recommendation charts on the following pages provide minimum CFM recommendations according to the cooking appliance and ventilation system used and blower options for each specific ventilation hood or downdraft.



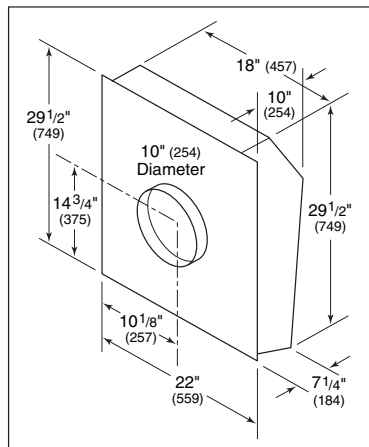
► In-line BLOWER-60IL



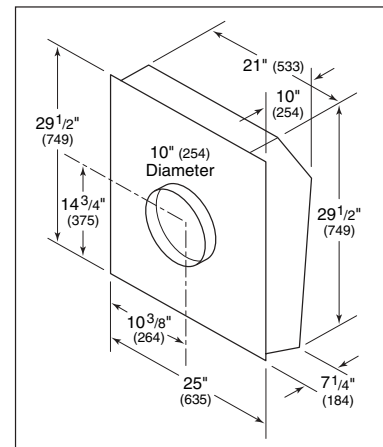
► In-line BLOWER-110IL



► Remote BLOWER-60REM and BLOWER-90REM



► Remote BLOWER-120REM



► Remote BLOWER-150REM

Dimensions may vary by $\pm 1/8$ " (3).

Dimensions in parentheses are in millimeters unless otherwise specified.

Wolf Ventilation Recommendations

PRO VENTILATION CFM RECOMMENDATIONS

Pro 24" (610) Deep Wall Hoods

	W302418	W362418	W422418	W482418	W542418	W602418	W662418
DF304 / R304 / SRT304	600	600					
DF366 / R366 / SRT366 / RT366		900	900				
DF364 / R364 / SRT364 / RT364		900	900				
RT362		900	900				
R488 / RT488				1100	1100		
DF486 / R486 / SRT486 / RT486				1100	1100		
DF484 / R484 / SRT484 / RT484				1100	1100		
R482 / RT482				1100	1100		
DF606 / R606						1500	1500
DF604 / R604						1500	1500

NOTE: For optimal performance, a Pro 27" (686) deep wall hood is recommended for use with ranges and rangetops that contain a charbroiler or griddle.

Model numbers for dual fuel ranges, gas ranges, sealed burner rangetops and gas rangetops indicate width and number of surface burners. Features such as a charbroiler, griddle and/or French Top will vary.

CFM recommendations are based on total Btu/hr output. Wolf recommends 1 CFM per 100 Btu/hr (.03 kW). Additional CFM may be required for long duct runs.

PRO VENTILATION BLOWER OPTIONS

Pro 24" (610) Deep Wall Hoods

Blower Description	Blower Number	Wall Hood Models
600 CFM Internal	WBLOWER-60INT (807614)	W302418 / W362418 / W422418
900 CFM Internal*	WBLOWER-90INT (805086)	W302418 / W362418 / W422418
1200 CFM Internal	WBLOWER-120INT (804702)	W482418 / W542418 / W602418 / W662418
600 CFM In-Line*	BLOWER-60IL (808331)	W302418
1100 CFM In-Line*	BLOWER-110IL (808332)	All 24" (610) Deep Wall Hoods
600 CFM Remote	BLOWER-60REM (801640)	W302418
900 CFM Remote	BLOWER-90REM (801641)	W302418 / W362418 / W422418 / W482418 / W542418
1200 CFM Remote	BLOWER-120REM (801642)	All 24" (610) Deep Wall Hoods
1500 CFM Remote	BLOWER-150REM (804701)	All 24" (610) Deep Wall Hoods

**Vertical discharge with 10" (254) round duct. All other blowers are adjustable discharge with 10" (254) round duct. NOTE: For optimal performance, a Pro 27" (686) deep wall hood is recommended for use with ranges and rangetops that contain a charbroiler or griddle.*

Wall hood models without decorative rail listed; blower options are the same for (R) models. Transition with backdraft damper included with all wall hoods. Blower configurations are for reference only. Refer to minimum CFM recommendations for your specific cooking product. Always consult a qualified HVAC Engineer for specific applications.

Dimensions in parentheses are in millimeters unless otherwise specified.

Free Manuals Download Website

<http://myh66.com>

<http://usermanuals.us>

<http://www.somanuals.com>

<http://www.4manuals.cc>

<http://www.manual-lib.com>

<http://www.404manual.com>

<http://www.luxmanual.com>

<http://aubethermostatmanual.com>

Golf course search by state

<http://golfingnear.com>

Email search by domain

<http://emailbydomain.com>

Auto manuals search

<http://auto.somanuals.com>

TV manuals search

<http://tv.somanuals.com>