

# **PARTS MANUAL**

**Models**

**EH722 LP  
ENGINES**

PUB-EP  
Rev. 05/10

Robin America, Inc.

905 Telser Road, Lake Zurich, IL 60047 • Phone: 847-540-7300 • Fax: 847-438-5012  
e-mail: [sales@robinamerica.com](mailto:sales@robinamerica.com) • [www.subarupower.com](http://www.subarupower.com)

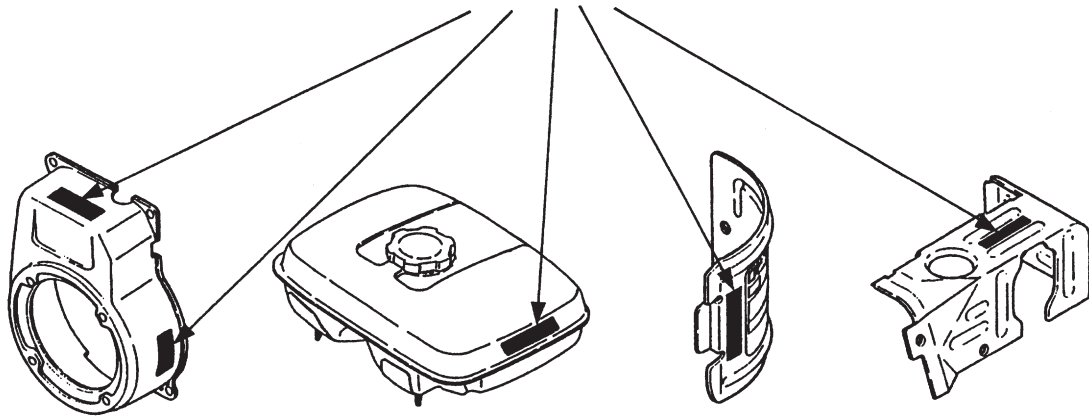
© Copyright 2010 Robin America, Inc.

## HOW TO USE THIS MANUAL

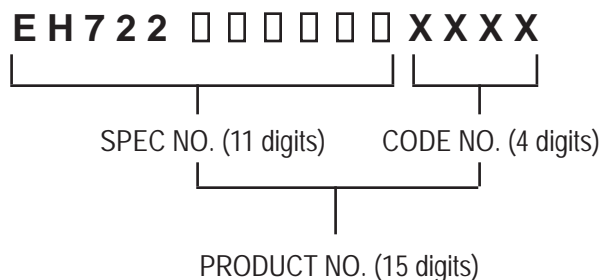
Robin engines are identified by MODEL, SPECIFICATION, and CODE NUMBER. For each model there may be many different versions called specifications. Each specification will be unique in some way. The difference may only be the paint color or it may have a different type of PTO or some other significant difference.

In order to identify the correct service part number, it is important to confirm the specification and code numbers for your engine. The specification and code number together are known as the PRODUCT NUMBER.

All Robin 4 cycle engines have a Product Number label similar to the label illustrated below.



The Product Number Label has a 15 digit alphanumeric string that consists of the SPECIFICATION (SPEC) number (11 digits) and the CODE number (4 digits). Please note the illustration below:



# MANUAL LAYOUT

1— SECTION 6 FUEL GROUP

2— FIG. 600

3

4

5

6

7

8

9

10

15

20,27

30

31

40

50

DETAIL A

1—SECTION 6 FUEL GROUP

REF.	PART NO.	DESCRIPTION	QTY.	REMARKS	FROM-TO	FIG.
10	267-60103-01	FUEL TANK CP	1	YD, YS TYPE, BLACK		600
27	267-60101-01	FUEL TANK CP	1	YELLOW		600
27	073-20039-00	LABEL, WARNING	1	YD, YS TYPE		600
30	043-04300-15	FUEL TANK CAP CP	1			600
31	267-95201-03	LABEL, EMISSION	1	YD, YS TYPE		600
40	064-13600-10	FUEL FILTER	1			600
50	064-20021-01	FUEL STRAINER AY	1			600
-1	064-20002-20	FILTER	1			600
-2	064-20002-30	GASKET	1			600
-3	064-20019-10	CUP	1			600

1. SECTION NAME Parts are broadly classified according to their functions. Refer to the Group Index (table of contents) for respective section name.
2. FIG. No. The FIG. number indexes the reference and part numbers to the illustration. Figure numbers that vary only in the tens place (i.e.: 700 and 710) are in a group of the same section (i.e.:Electrical Device Group).
3. REF. No. The Reference number identifies the part illustration with the corresponding part number in the part list.
4. SUBASSEMBLY SUBASSEMBLY parts of part assembly are listed below the assembly part. The subassembly part reference number is indicated by the number led by "-" such as "-1", "-2".
5. PART NUMBER It is the number assigned for sales unit. Use the PART No. when making an order.
6. DESCRIPTION It is designation of the part.
7. QTY. Quantity of each part used for each product.
8. REMARKS This gives a distinctive feature and/or a supplementary comment for the type, the specification, and the part concerned. It also shows part number(s) interchangeable for the part.
9. FROM-TO This section shows the CODE No. to indicate the history of progress in which improved parts have been introduced in the product. The FROM-TO CODE No. helps to identify PART No. being employed in the product concerned. See the examples below:
  - The part is used in the product irrespective of CODE No.
  - 2101- The part is used in the products with CODE No. of 2101 and after this number.
  - 2100 The part is used in the products with CODE No. of 2100 and before this number.

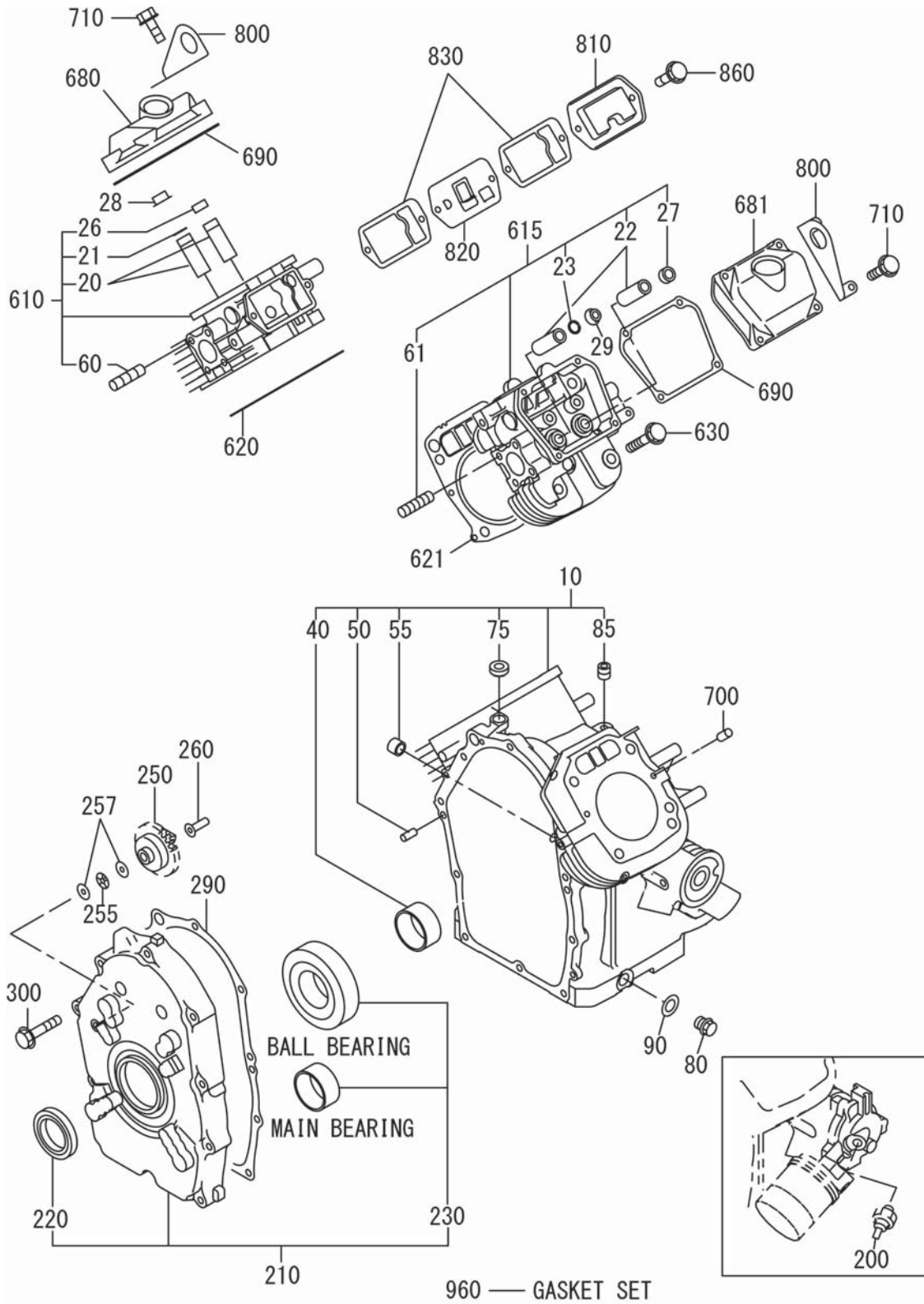
# GROUP INDEX

Group Name	Page
CRANKCASE GROUP .....	6
CRANKSHAFT GROUP .....	8
INTAKE and EXHAUST GROUP .....	10
GOVERNOR GROUP .....	14
COOLING and STARTING GROUP .....	16
FUEL, LUBRICANT GROUP .....	18
CARBURETOR GROUP .....	20
ELECTRIC DEVICE GROUP .....	24
ACCESSORY GROUP .....	26

INDEX OF DESCRIPTION SYMBOLS			
SYMBOL	DESCRIPTION	SYMBOL	DESCRIPTION
AY .....	ASSEMBLY	P= .....	PITCH (in mm)
CP .....	COMPLETE	P.T.O. (PTO) .....	POWER TAKE OFF
EX .....	EXPORT (from Japan)	REF .....	REFERENCE
FIG .....	FIGURE	R.H. (RH) .....	RIGHT HAND SIDE
FR .....	FRONT	RR .....	REAR
" .....	INCH	STD. ....	STANDARD
INCL. ....	INCLUDE	SW .....	SWITCH
-L .....	LITER	T= .....	THICKNESS (in mm)
L= .....	LENGTH (in. mm)	UN .....	UNIT
L.H. (LH) .....	LEFT-HAND SIDE	U.S. ....	UNDER SIZE
MECH .....	MECHANICAL	~V .....	VOLTAGE
NO (NON) .....	NONE	~W .....	WATT
OPT .....	OPTIONAL	W/ .....	WITH
O.S. ....	OVER SIZE	W/O .....	WITHOUT

**SECTION 1 CRANKCASE GROUP**

**FIG. 100**

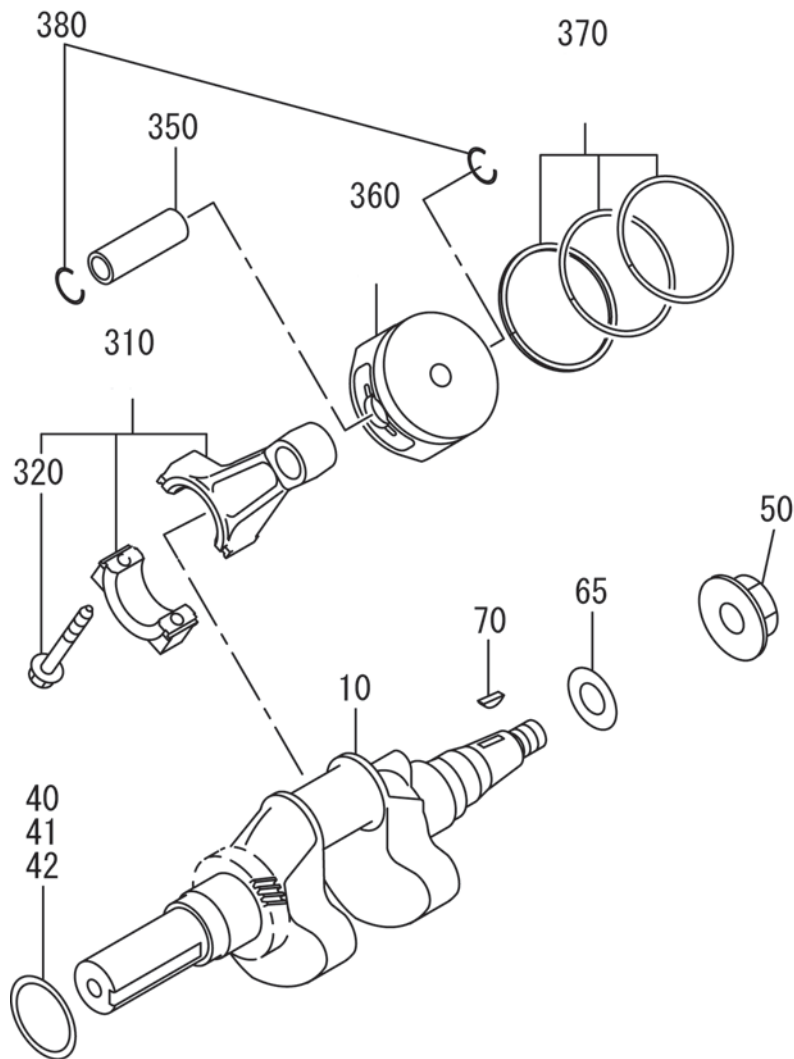


## SECTION 1 CRANKCASE GROUP

Ref.	Part Number	Description	Qty	Remarks	To-From	Fig.
10	280-10102-C1	Crankcase Cp	1			100
20	263-14203-03	Valve Guide	2			100
21	056-51000-50	Clip	1			100
22	263-14203-03	Valve Guide	2			100
23	056-51000-50	Clip	1			100
26	132-11AA1-10	Seal, exhaust valve	1			100
27	132-11AA1-10	Seal, exhaust valve	1			100
28	263-35341-03	Retainer Plate	1			100
29	263-35341-03	Retainer Plate	1			100
40	263-15802-03	Main Bearing	1			100
50	X31-00800-80	Dowel Pin	2			100
55	263-55601-03	Pipe	2			100
60	010-50802-90	Stud	4			100
61	010-50802-90	Stud	4			100
75	044-00800-10	Oil Seal	1			100
80	X40-11400-30	Plug	2			100
85	263-15911-A1	Blind Plug Cp	1			100
90	021-11400-20	Gasket	2			100
200	263-76102-H1	Switch, oil pressure	1			100
210	263-11002-F1	Main Bearing Cover Cp	1			100
220	044-04200-30	Oil Seal	1			100
230	X60-04500-10	Ball Bearing	1			100
250	263-45001-C1	Governor Gear Cp	1			100
255	263-46215-A3	Thrust Bearing	1			100
257	263-46214-A3	Washer	2			100
260	277-41901-03	Governor Sleeve	1			100
290	263-16002-A3	Gasket, main bearing cover	1			100
300	X11-00802-20	Flange Bolt	10			100
610	280-13011-B1	Cylinder Head 1 Cp	1			100
615	280-13111-B1	Cylinder Head 2 Cp	1			100
620	280-15001-13	Gasket 1, cylinder head	1			100
621	280-15101-13	Gasket 2, cylinder head	1			100
630	X11-01000-70	Flange Bolt	8			100
680	280-15501-A3	Rocker Cover	1			100
681	263-15501-A3	Rocker Cover	1			100
690	263-16101-A3	Gasket, rocker cover	1			100
700	X31-00600-20	Dowel Pin	4			100
710	X11-00601-01	Flange Bolt	8			100
800	280-19001-A3	Hook	2			100
810	263-14301-03	Breather Cover	1			100
820	280-14401-A1	Breather Plate Cp	1			100
830	263-16006-03	Gasket, breather plate	2			100
860	X11-00600-30	Flange Bolt	2			100
960		Gasket Set	1			100

SECTION 2 CRANKSHAFT GROUP

FIG. 200

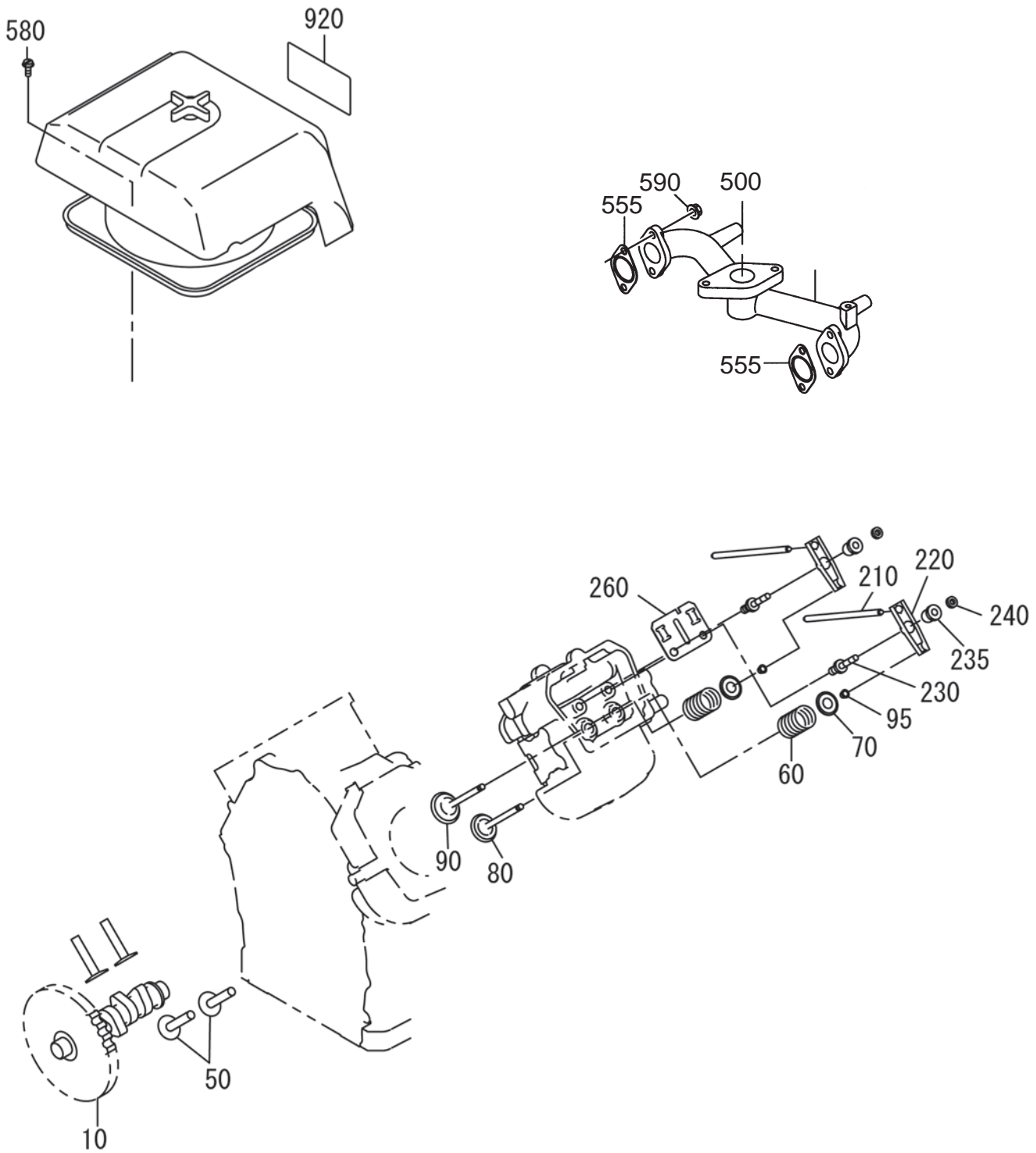






SECTION 3 INTAKE and EXHAUST GROUP

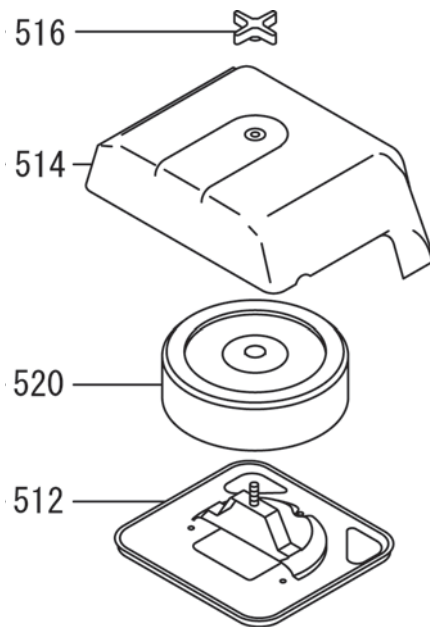
FIG. 300





SECTION 3 INTAKE and EXHAUST GROUP

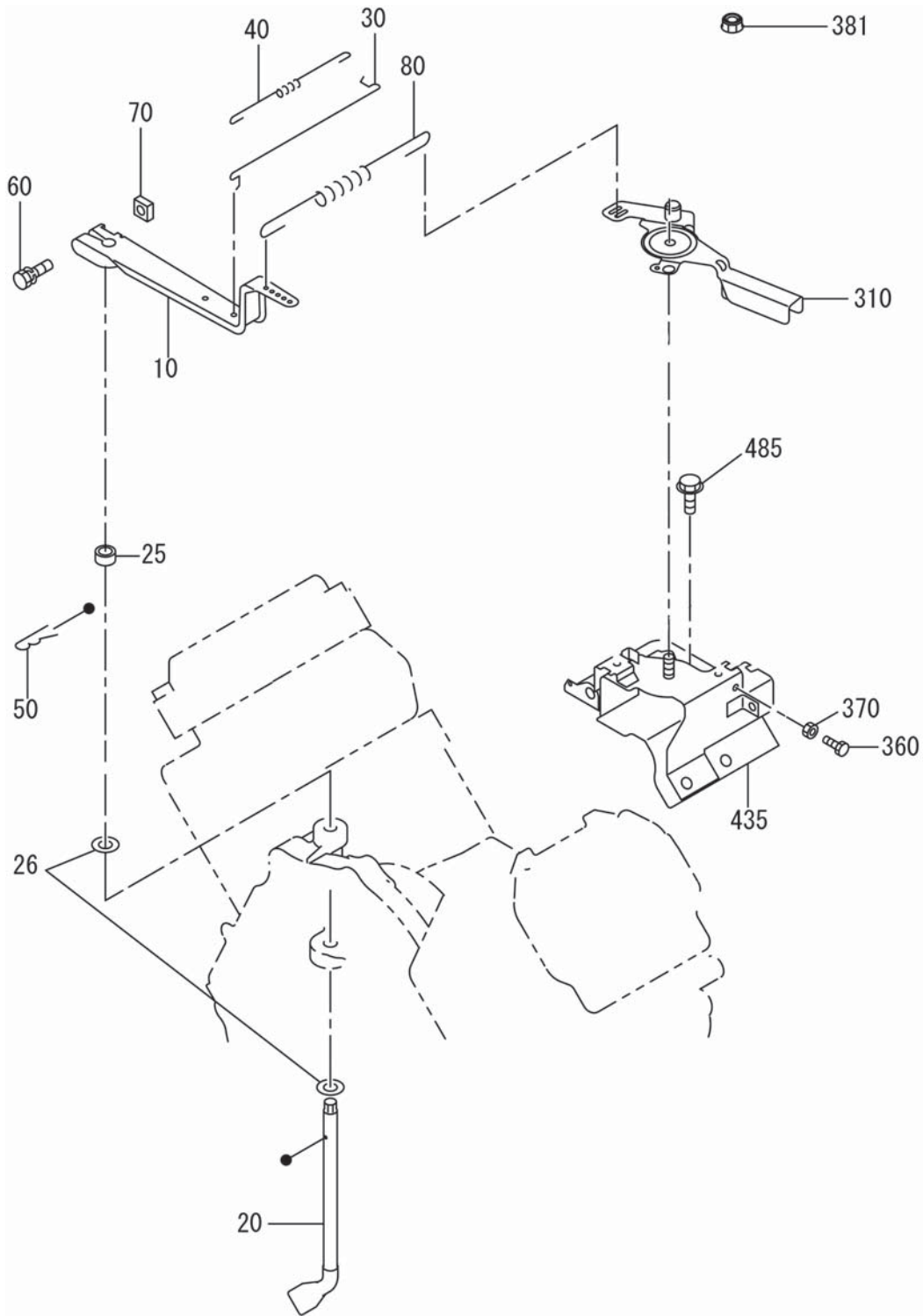
FIG. 330





SECTION 4 GOVERNOR GROUP

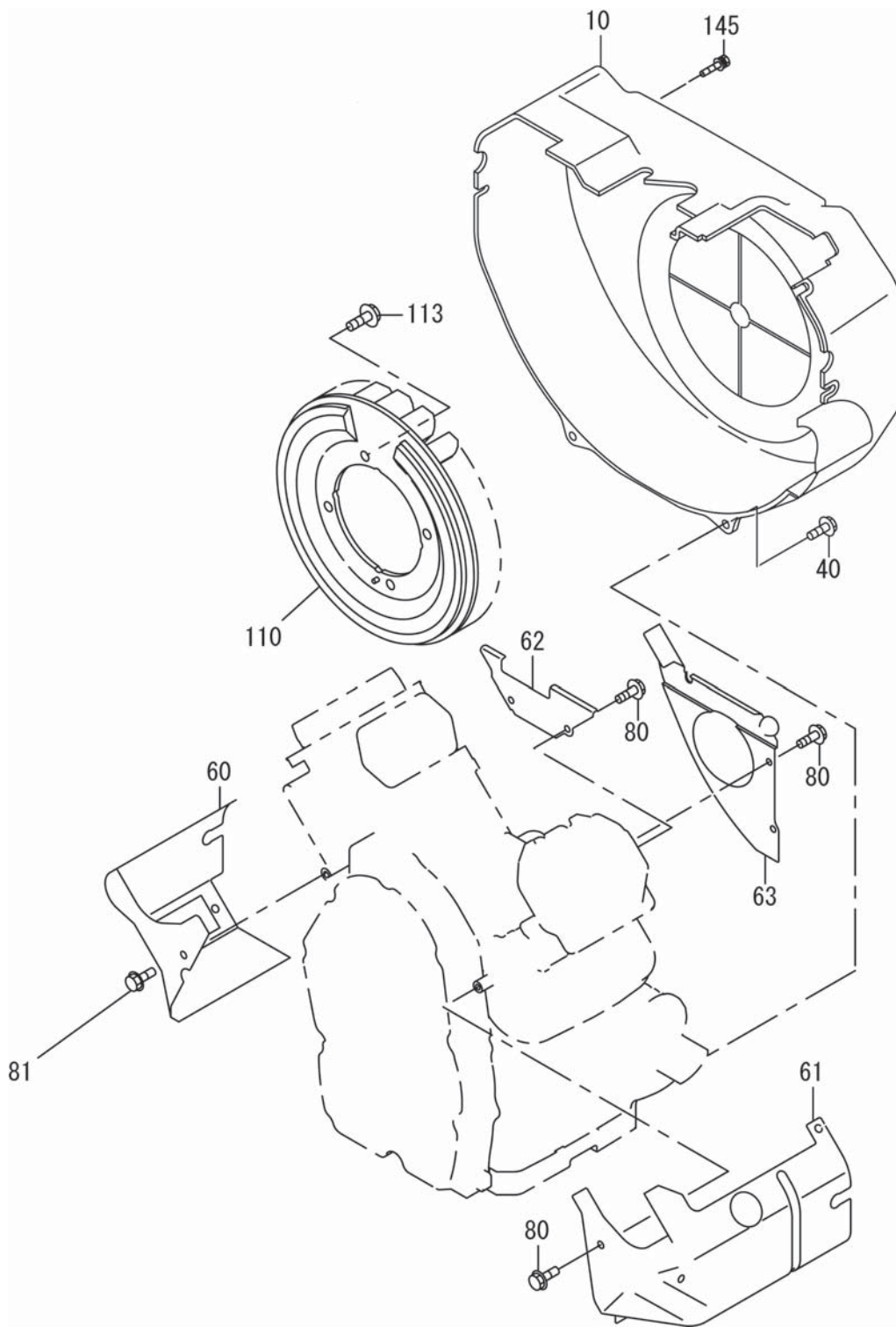
FIG. 400





SECTION 5 COOLING and STARTING GROUP

FIG. 500

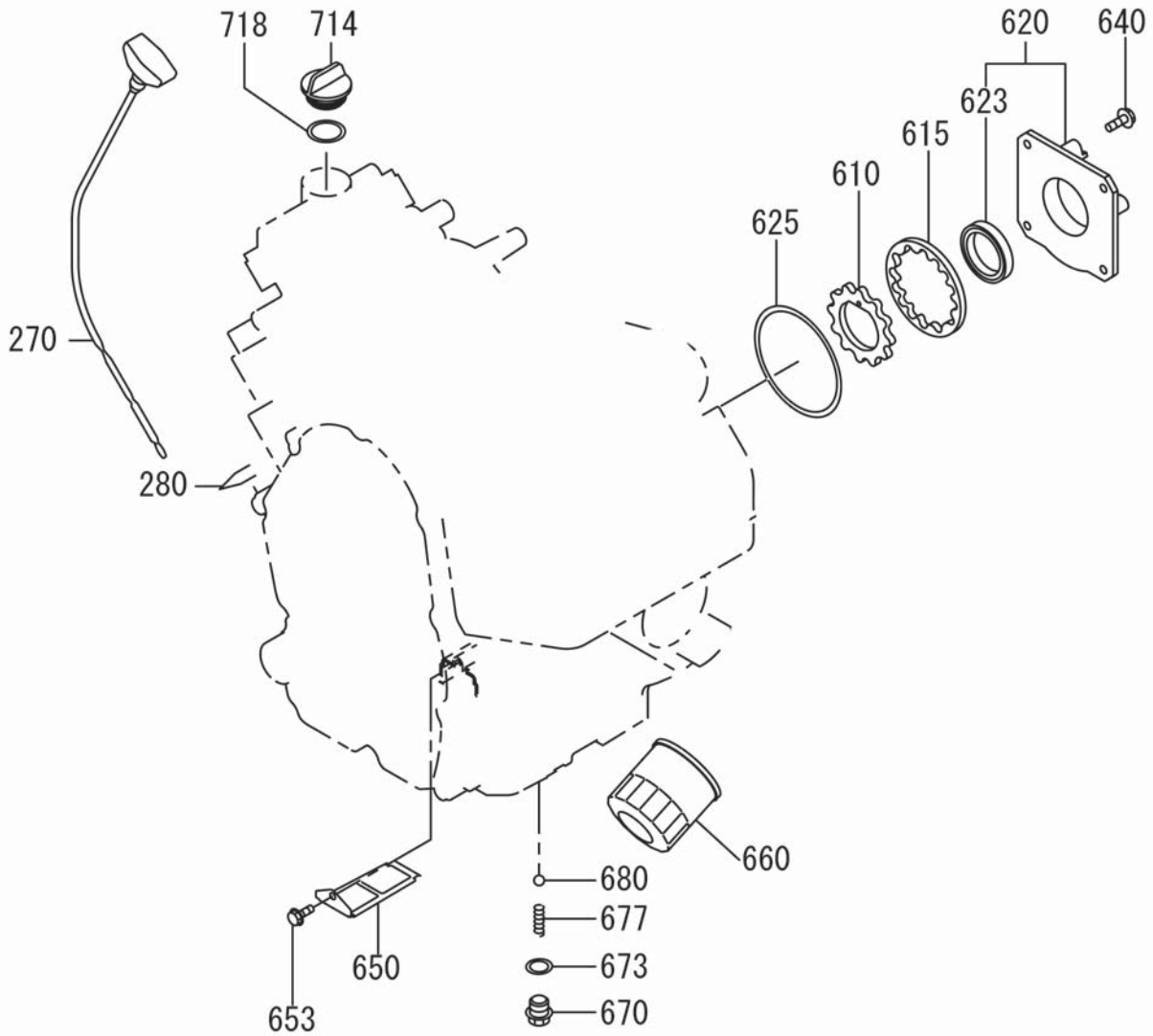






SECTION 6 FUEL, LUBRICATION GROUP

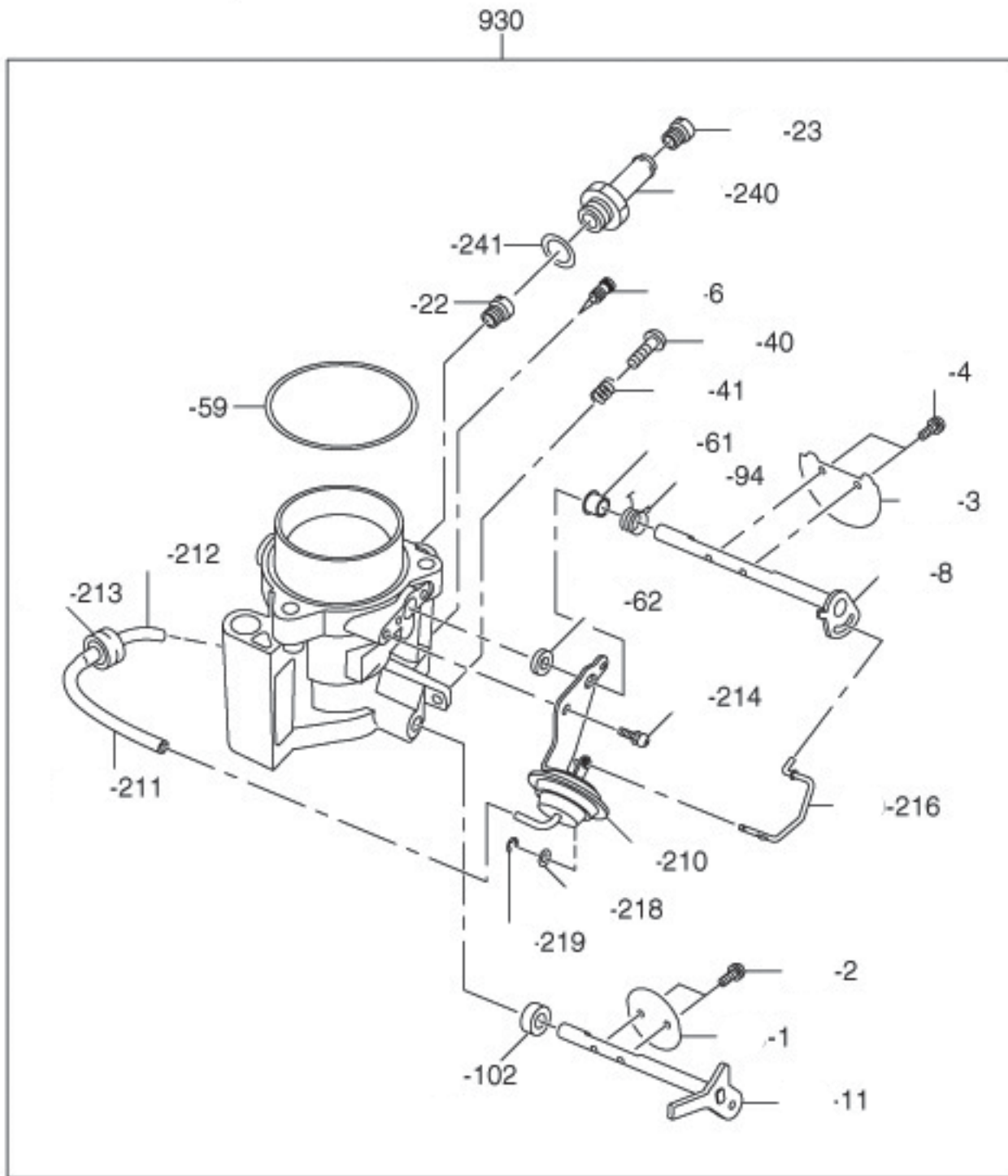
FIG. 600





SECTION 6 FUEL, LUBRICATION GROUP

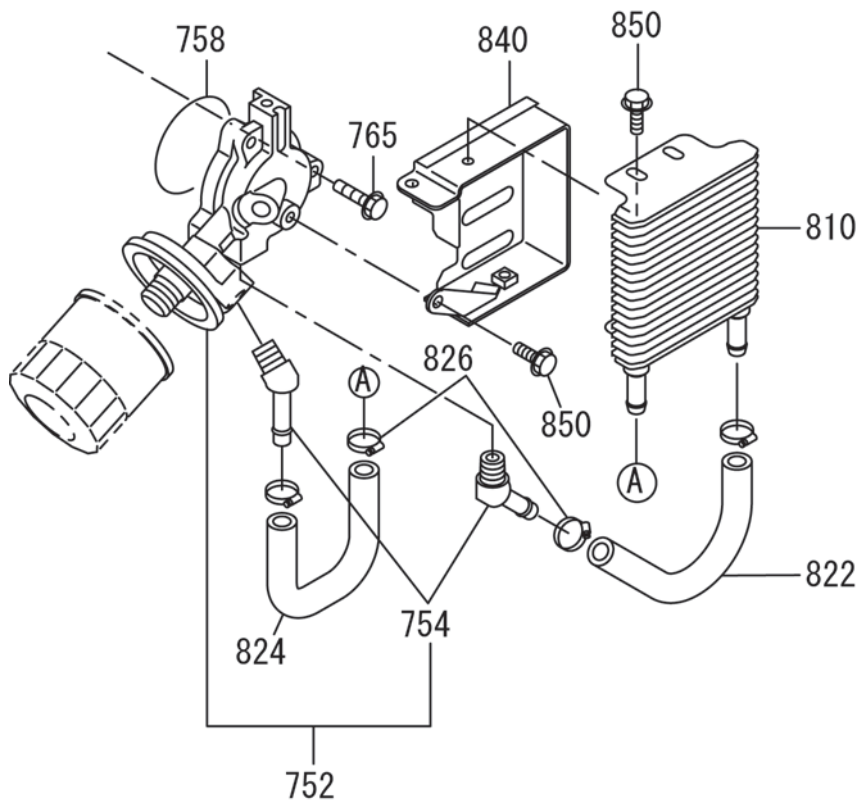
FIG. 660





SECTION 6 FUEL, LUBRICATION GROUP

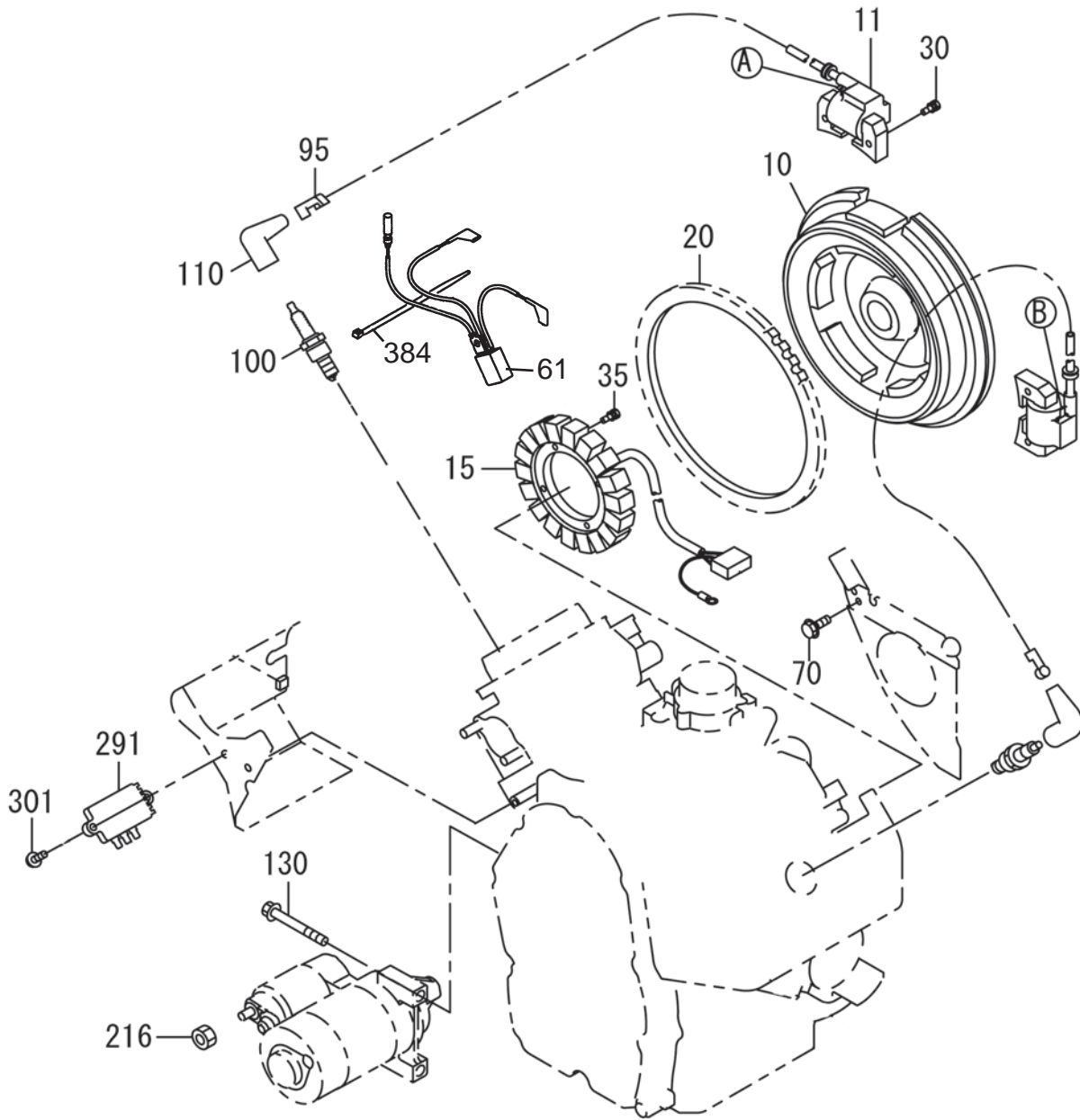
FIG. 685





SECTION 7 ELECTRIC DEVICE GROUP

FIG. 700







SECTION 7 ELECTRIC DEVICE GROUP

FIG. 770

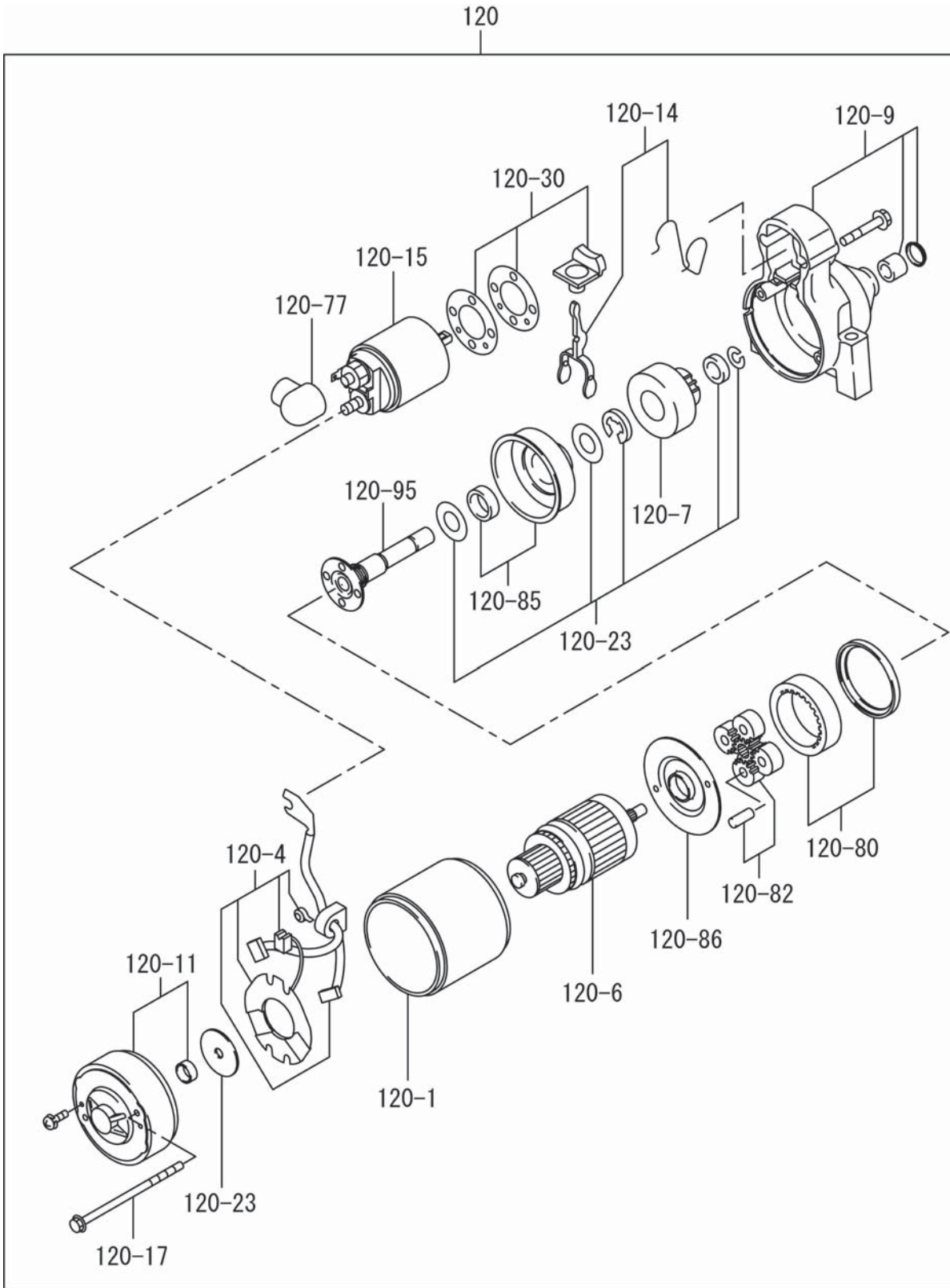




FIG. 800

**(Illustrations are excluded)**



PRINTED IN THE USA

## Free Manuals Download Website

<http://myh66.com>

<http://usermanuals.us>

<http://www.somanuals.com>

<http://www.4manuals.cc>

<http://www.manual-lib.com>

<http://www.404manual.com>

<http://www.luxmanual.com>

<http://aubethermostatmanual.com>

Golf course search by state

<http://golfingnear.com>

Email search by domain

<http://emailbydomain.com>

Auto manuals search

<http://auto.somanuals.com>

TV manuals search

<http://tv.somanuals.com>