

Robin Industrial Engines®

PARTS MANUAL

Model

PKX301T

PUMP

PUB-PP5880
Rev. 07/03

Robin
SUBARU

Robin America, Inc.

940 Lively Blvd. • Wood Dale, IL 60191 • Phone: 630-350-8200 • Fax: 630-350-8212
e-mail: sales@robinamerica.com • www.robinamerica.com

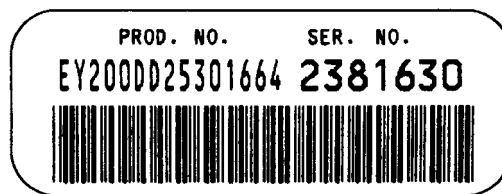
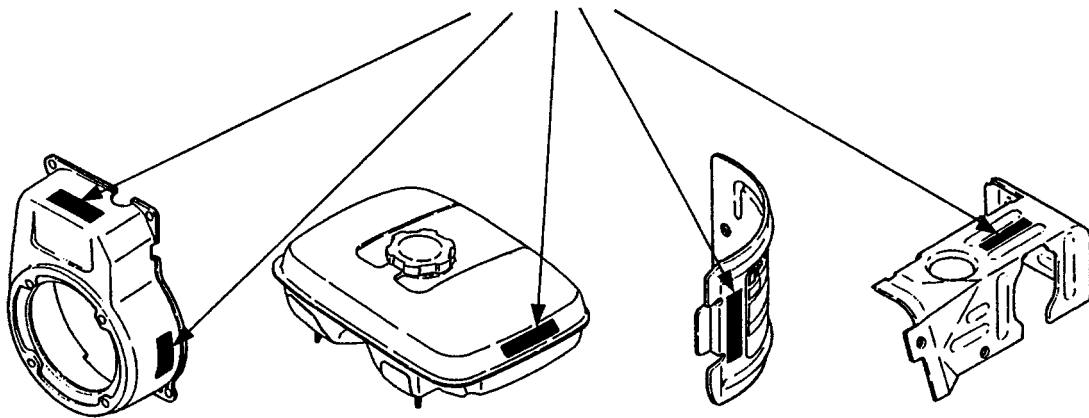
© Copyright 2003 Robin America, Inc.

HOW TO USE THIS MANUAL

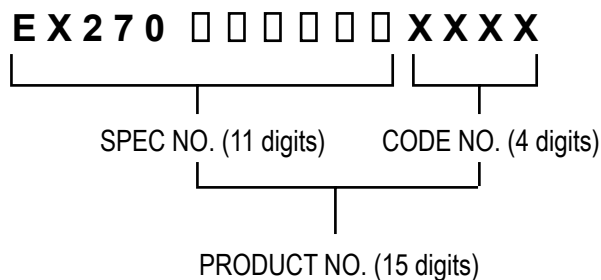
Robin engines are identified by MODEL, SPECIFICATION, and CODE NUMBER. For each model there may be many different versions called specifications. Each specification will be unique in some way. The difference may only be the paint color or it may have a different type of PTO or some other significant difference.

In order to identify the correct service part number, it is important to confirm the specification and code numbers for your engine. The specification and code number together are known as the PRODUCT NUMBER.

All Robin 4 cycle engines have a Product Number label similar to the label illustrated below.



The Product Number Label has a 15 digit alphanumeric string that consists of the SPECIFICATION (SPEC) number (11 digits) and the CODE number (4 digits). Please note the illustration below:



MANUAL LAYOUT

1— SECTION 6 FUEL GROUP

2— FIG. 600

3

4

5

6

7

8

9

10

15

20,27

30

31

40

50

DETAIL A

1—SECTION 6 FUEL GROUP

REF.	PART NO.	DESCRIPTION	QTY.	REMARKS	FROM-TO	FIG.
10	267-60103-01	FUEL TANK CP	1	YD, YS TYPE, BLACK		600
27	267-60101-01	FUEL TANK CP	1	YELLOW		600
27	073-20039-00	LABEL, WARNING	1	YD, YS TYPE		600
30	043-04300-15	FUEL TANK CAP CP	1			600
31	267-95201-03	LABEL, EMISSION	1	YD, YS TYPE		600
40	064-13600-10	FUEL FILTER	1			600
50	064-20021-01	FUEL STRAINER AY	1			600
-1	064-20002-20	FILTER	1			600
-2	064-20002-30	GASKET	1			600
-3	064-20019-10	CUP	1			600

1. SECTION NAME Parts are broadly classified according to their functions. Refer to the Group Index (table of contents) for respective section name.
2. FIG. No. The FIG. number indexes the reference and part numbers to the illustration. Figure numbers that vary only in the tens place (i.e.: 700 and 710) are in a group of the same section (i.e.: Electrical Device Group).
3. REF. No. The Reference number identifies the part illustration with the corresponding part number in the part list.
4. SUBASSEMBLY SUBASSEMBLY parts of part assembly are listed below the assembly part. The subassembly part reference number is indicated by the number led by "-" such as "-1", "-2".
5. PART NUMBER It is the number assigned for sales unit. Use the PART No. when making an order.
6. DESCRIPTION It is designation of the part.
7. QTY. Quantity of each part used for each product.
8. REMARKS This gives a distinctive feature and/or a supplementary comment for the type, the specification, and the part concerned. It also shows part number(s) interchangeable for the part.
9. FROM-TO This section shows the CODE No. to indicate the history of progress in which improved parts have been introduced in the product. The FROM-TO CODE No. helps to identify PART No. being employed in the product concerned. See the examples below:
 - The part is used in the product irrespective of CODE No.
 - 2101- The part is used in the products with CODE No. of 2101 and after this number.
 - 2100 The part is used in the products with CODE No. of 2100 and before this number.

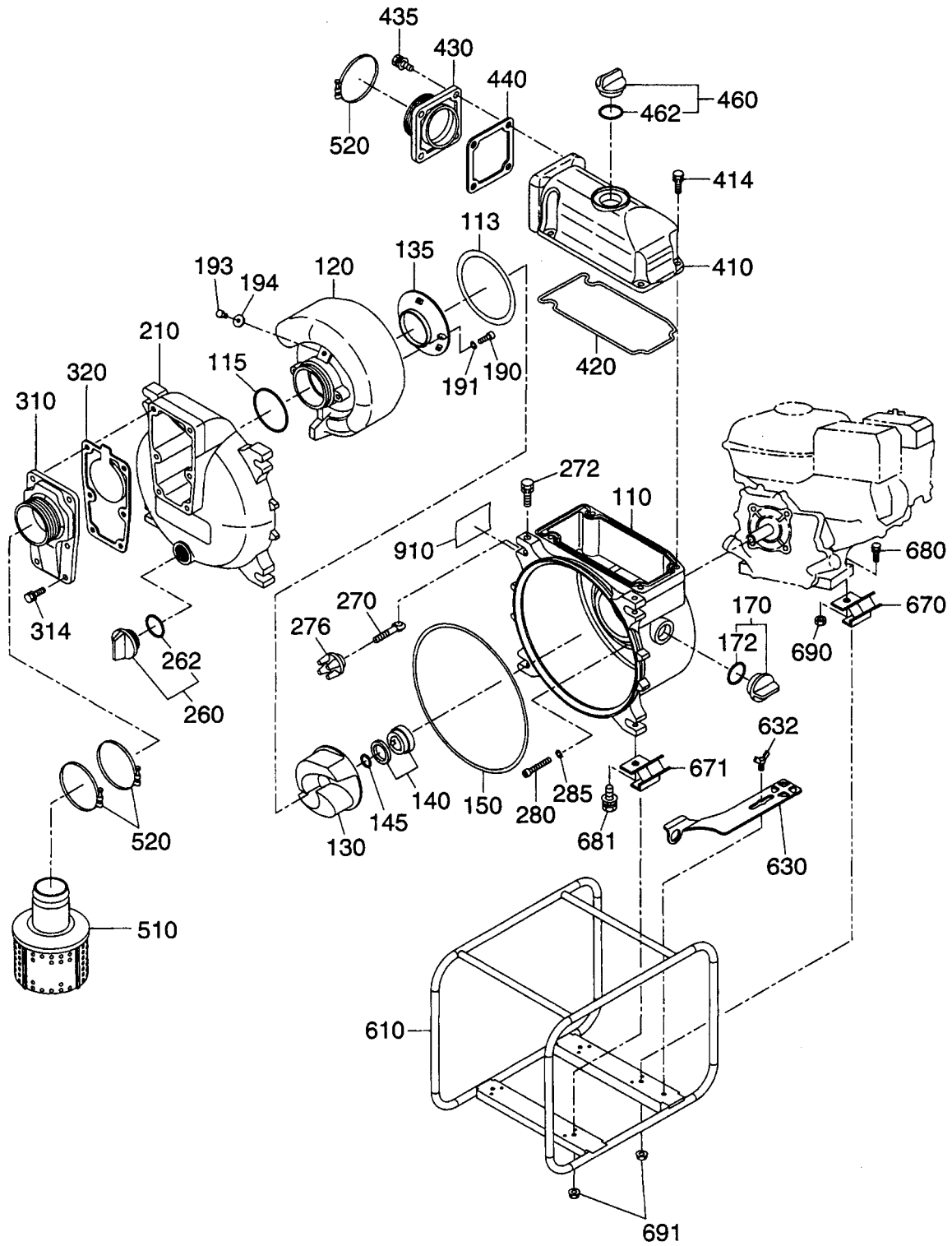
GROUP INDEX

Group Name	Page
PUMP GROUP	6
CRANKCASE GROUP	8
CRANKSHAFT GROUP	10
INTAKE and EXHAUST GROUP	12
GOVERNOR GROUP	16
COOLING and STARTING GROUP	18
FUEL, LUBRICANT GROUP	20
CARBURETOR GROUP	22
ELECTRIC DEVICE GROUP	24
ACCESSORY GROUP	26

INDEX OF DESCRIPTION SYMBOLS			
SYMBOL	DESCRIPTION	SYMBOL	DESCRIPTION
AY	ASSEMBLY	P=	PITCH (in mm)
CP	COMPLETE	P.T.O. (PTO)	POWER TAKE OFF
EX	EXPORT (from Japan)	REF	REFERENCE
FIG	FIGURE	R.H. (RH)	RIGHT HAND SIDE
FR	FRONT	RR	REAR
"	INCH	STD.	STANDARD
INCL.	INCLUDE	SW	SWITCH
~L	LITER	T=	THICKNESS (in mm)
L=	LENGTH (in. mm)	UN	UNIT
L.H. (LH)	LEFT-HAND SIDE	U.S.	UNDER SIZE
MECH	MECHANICAL	~V	VOLTAGE
NO (NON)	NONE	~W	WATT
OPT	OPTIONAL	W/	WITH
O.S.	OVER SIZE	W/O	WITHOUT

SECTION 1 PUMP GROUP

FIG. 100

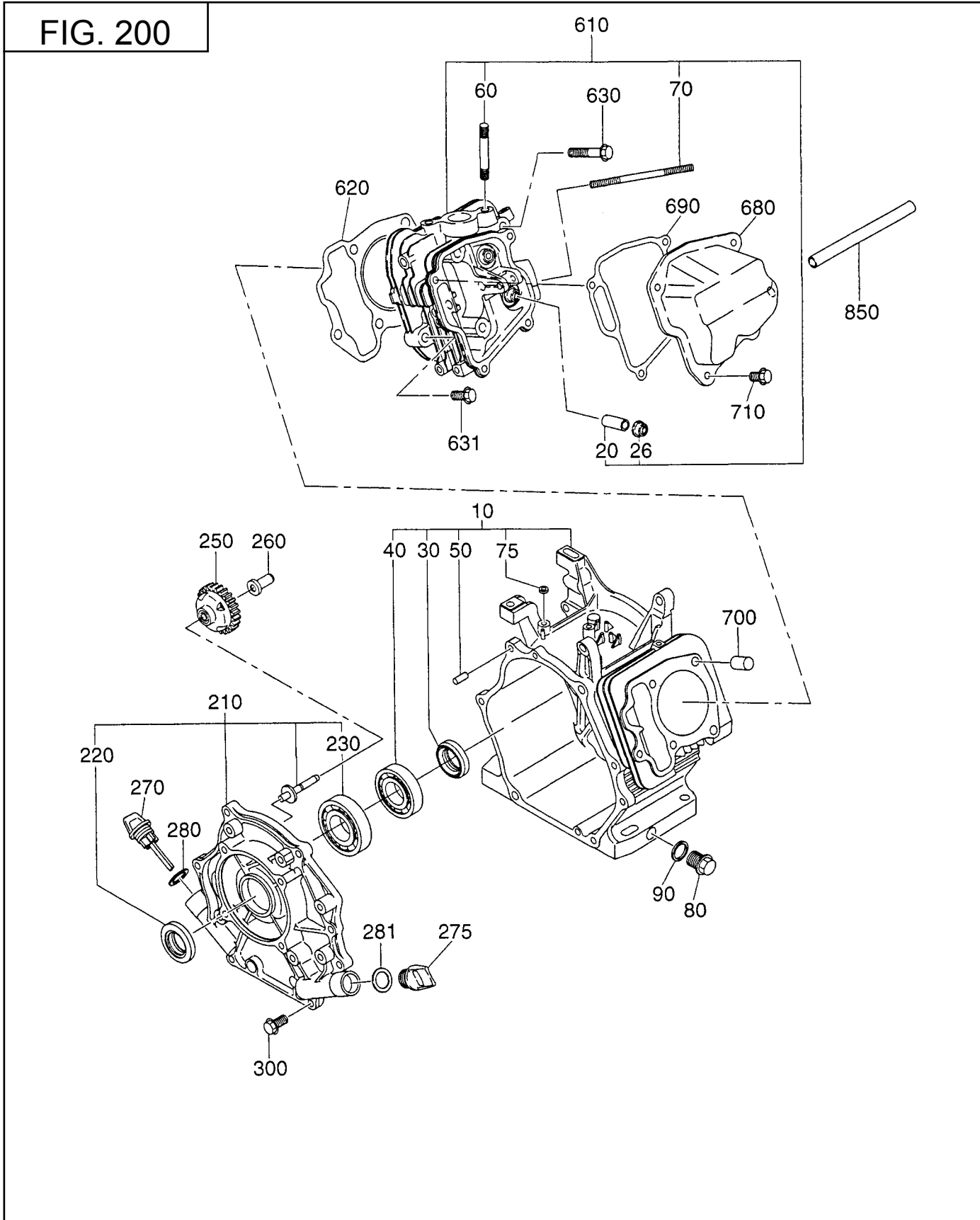


SECTION 1 PUMP GROUP

REF.	PART NO.	DESCRIPTION	QTY.	REMARKS	FROM-TO	FIG.
110	470-01154-46	CASING	1			100
113	470-01155-78	CASING PACKING	1			100
115	470-01156-76	ORING	1			100
120	470-01161-64	INNER CASING	1			100
130	470-01155-58	IMPELLER	1			100
135	470-01160-86	WEAR PLATE	1			100
140	470-01156-78	MECHANICAL SEAL	1			100
145	470-01100-81	ADJUSTING WASHER	3			100
150	470-01155-79	FRONT COVER PACKING	1			100
170	470-01180-79	PLUG AY	1			100
172	471-00000-09	O RING	1			100
190	471-00000-74	SOCKET BOLT	2			100
191	471-00000-02	SEAL WASHER	2			100
193	471-00000-75	BOLT AND WASHER	3			100
194	470-01161-73	WASHER	3			100
210	470-01158-82	FRONT COVER PACKING	1			100
260	470-01180-78	PLUG AY	1			100
262	471-00000-09	O RING	1			100
270	470-01155-80	COVER BOLT	4			100
272	471-00000-73	BOLT AND WASHER	4			100
276	470-01155-90	KNOB	4			100
280	470-01165-17	SOCKET BOLT	4			100
285	470-01164-93	WASHER	4			100
310	470-01113-60	SUCTION FLANGE	1			100
314	471-00000-50	BOLT AND WASHER	6			100
320	470-01156-92	CHECK VALVE	1			100
410	470-01155-47	DELIVERY BODY	1			100
414	471-00000-34	BOLT AND WSHER	4			100
420	470-01155-48	HEAD PACKING	1			100
430	470-01158-37	DELLIVERY FLANGE	1			100
435	471-00000-34	BOLT AND WASHER	4			100
440	470-01105-84	PACKING, DELIVERY	1			100
460	470-01184-50	PLUG AY	1			100
462	471-00000-20	O RING	1			100
510	470-01109-78	STRAINER	1			100
520	471-00000-39	HOSE BAND	3			100
610	470-01177-17	FRAME	1			100
630	470-01157-78	TOOL	1			100
632	471-00000-79	WING BOLT	1			100
370	470-01161-72	CUSHION RUBBER	1			100
371	470-01161-72	CUSHION RUBBER	2			100
380	471-00000-80	BOLT AND WASHER	2			100
381	471-00000-73	BOLT AND WASHER	4			100
390	471-00000-38	NUT	2			100
391	471-00000-76	NUT	4			100
910	471-01165-80	LABEL, PUMP NAME	1			100

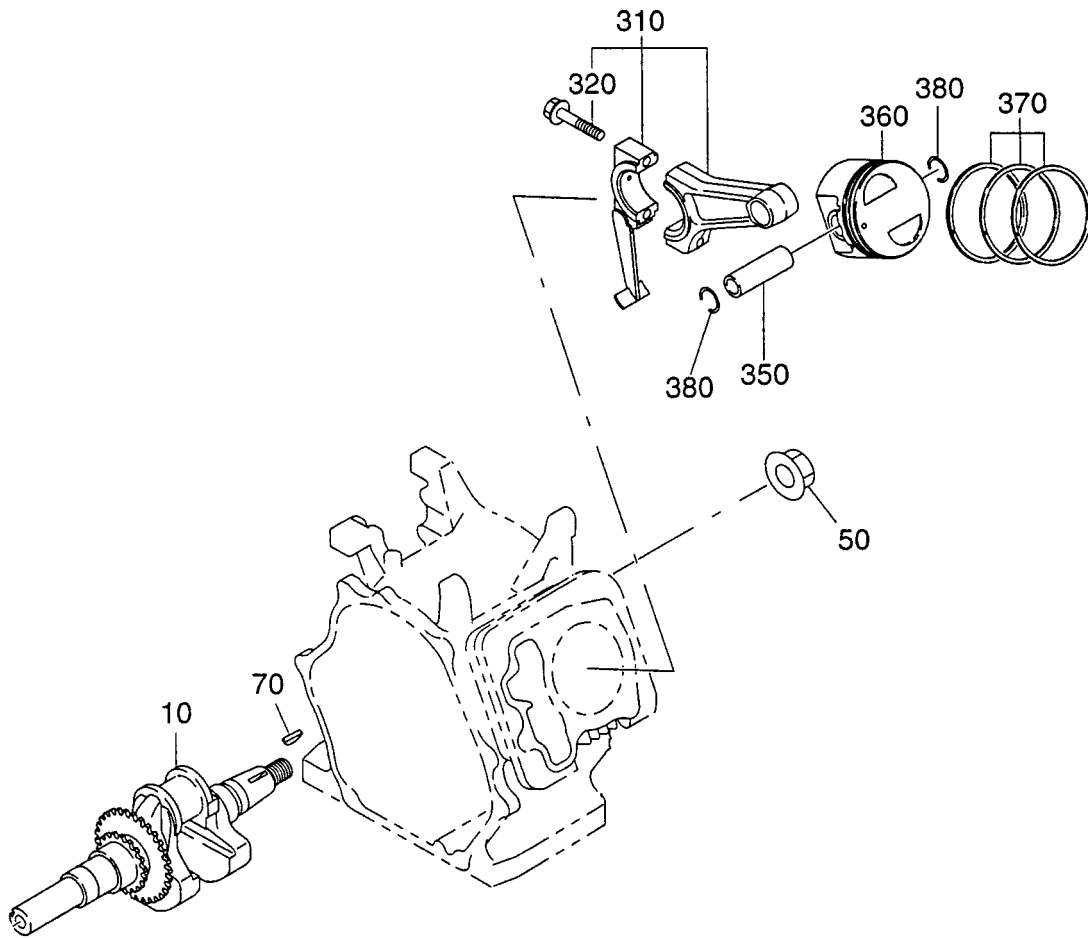
SECTION 2 CRANKCASE GROUP

FIG. 200



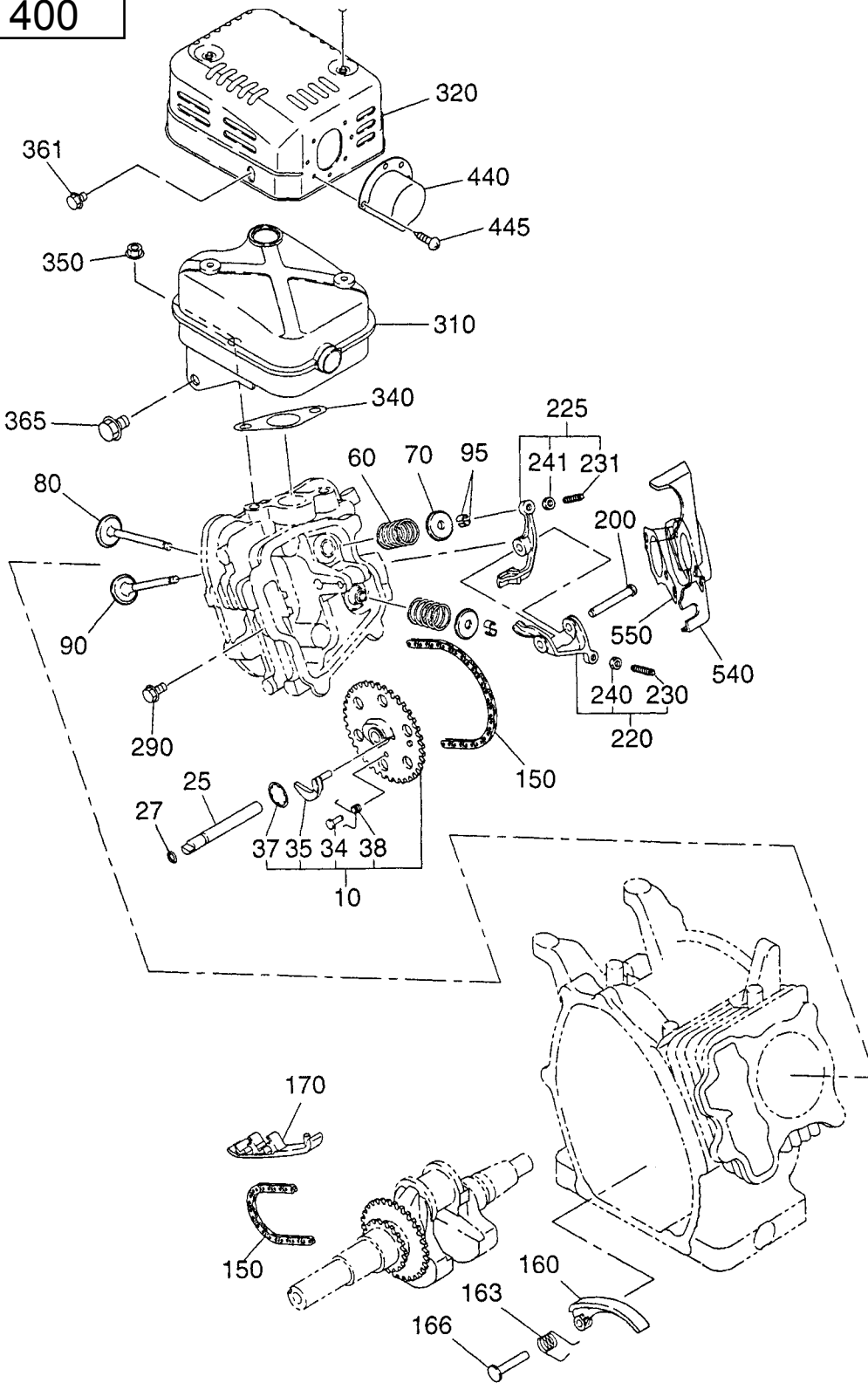
SECTION 3 CRANKSHAFT GROUP

FIG. 300



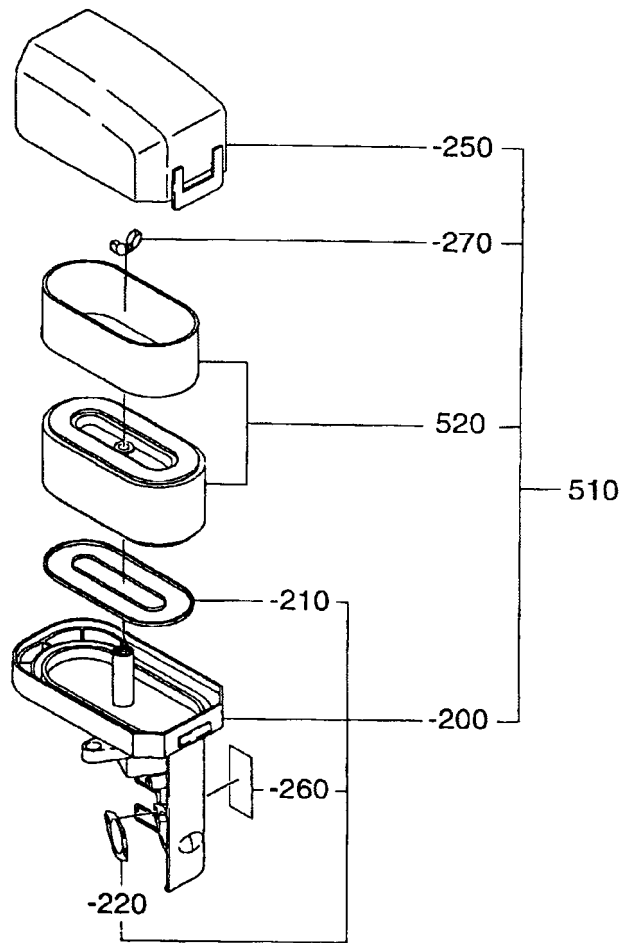
SECTION 4 INTAKE and EXHAUST GROUP

FIG. 400



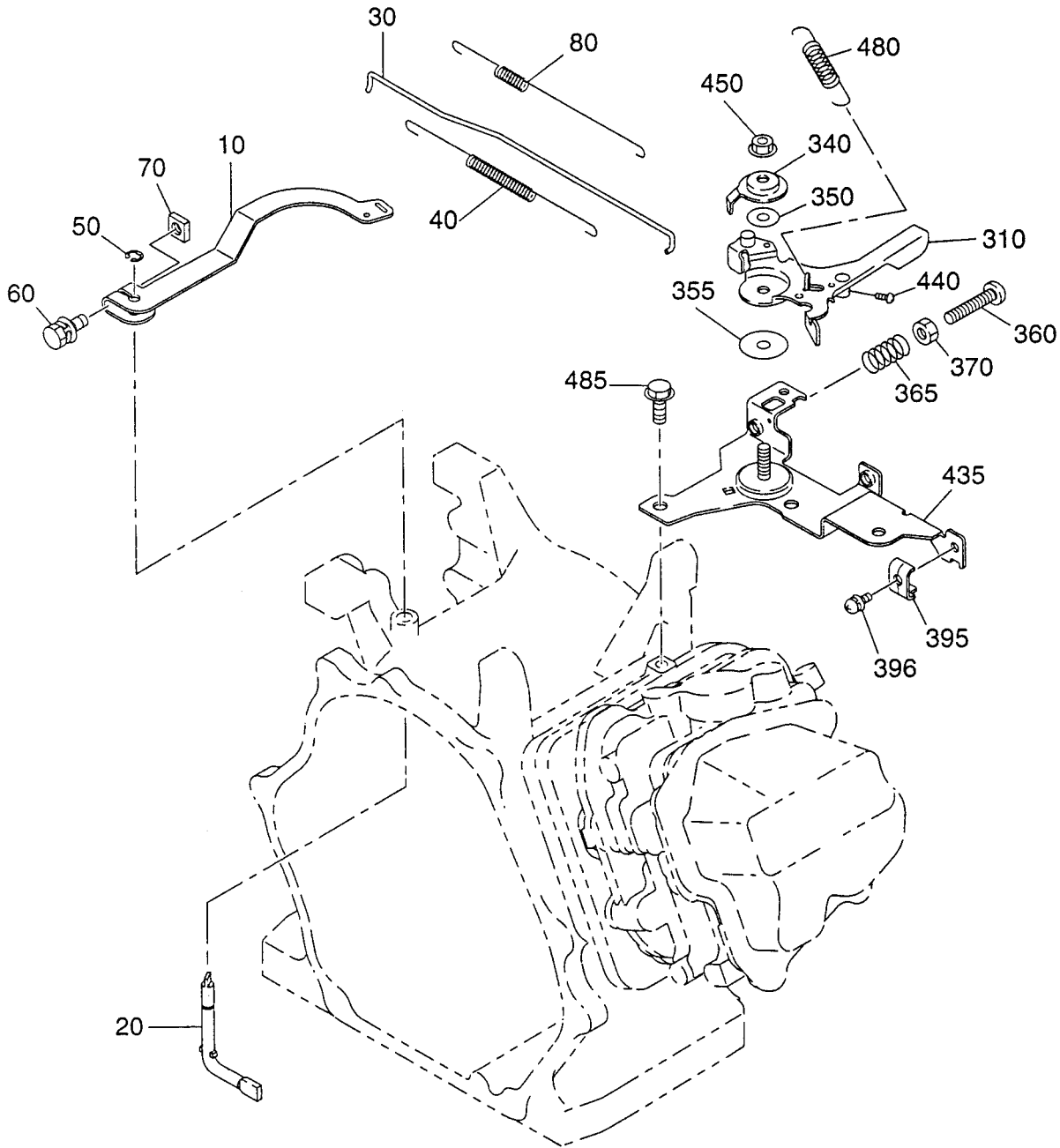
SECTION 4 INTAKE and EXHAUST GROUP

FIG. 410



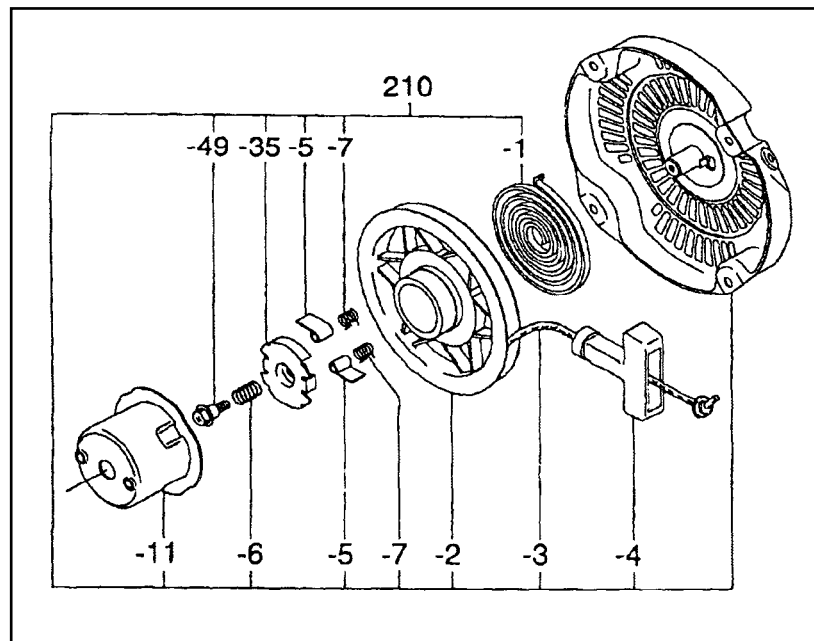
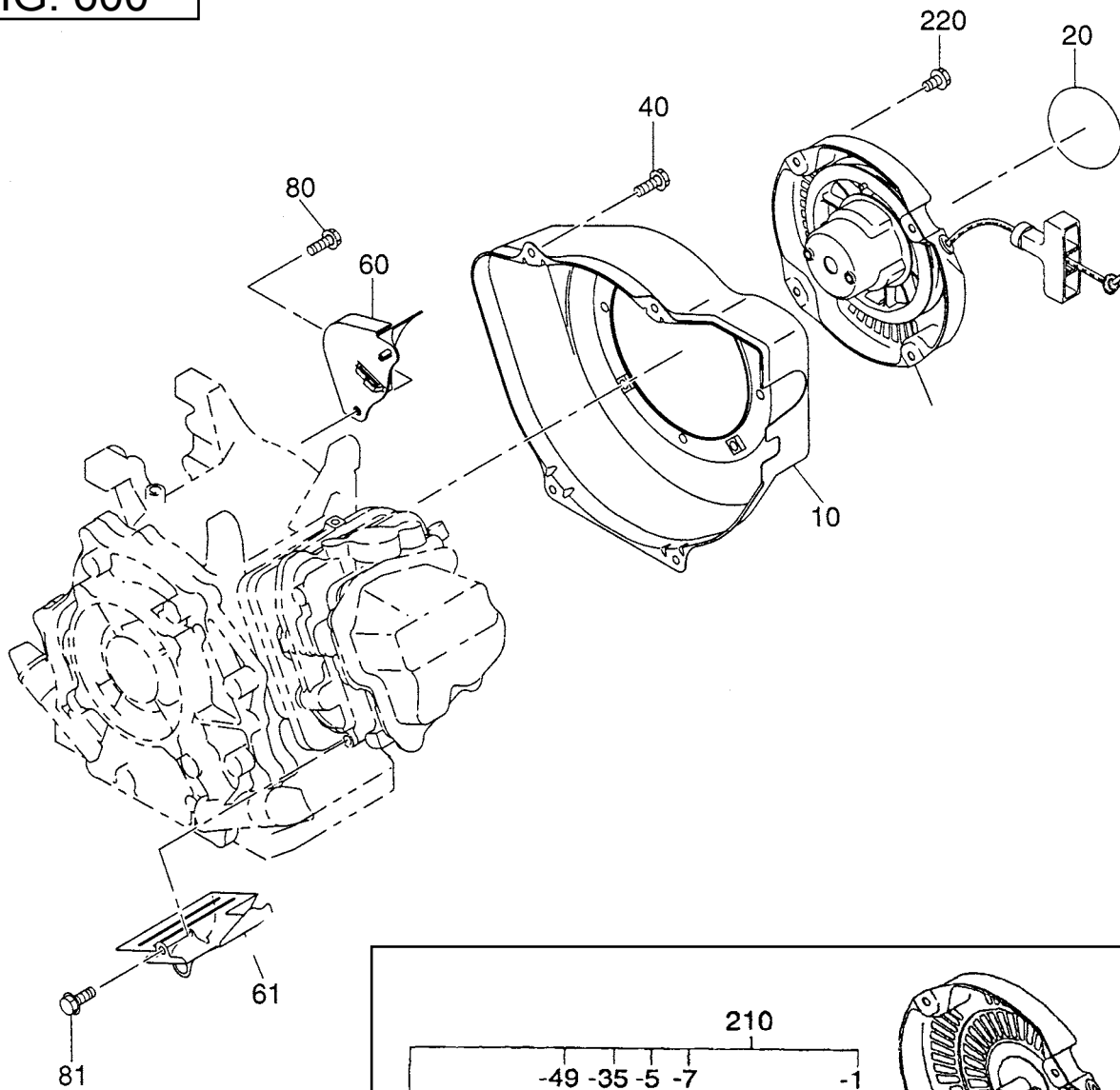
SECTION 5 GOVERNOR GROUP

FIG. 500



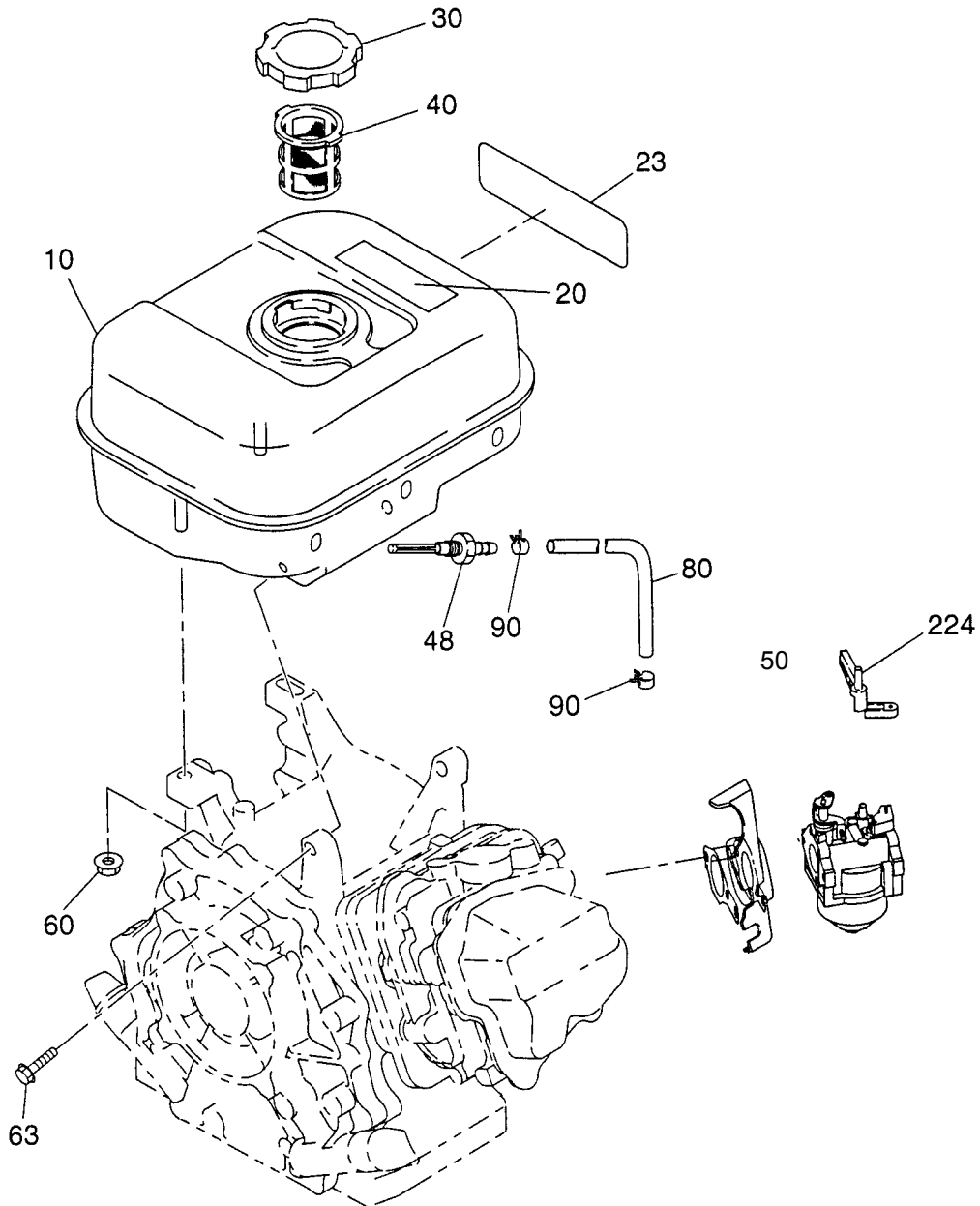
SECTION 6 COOLING and STARTING GROUP

FIG. 600



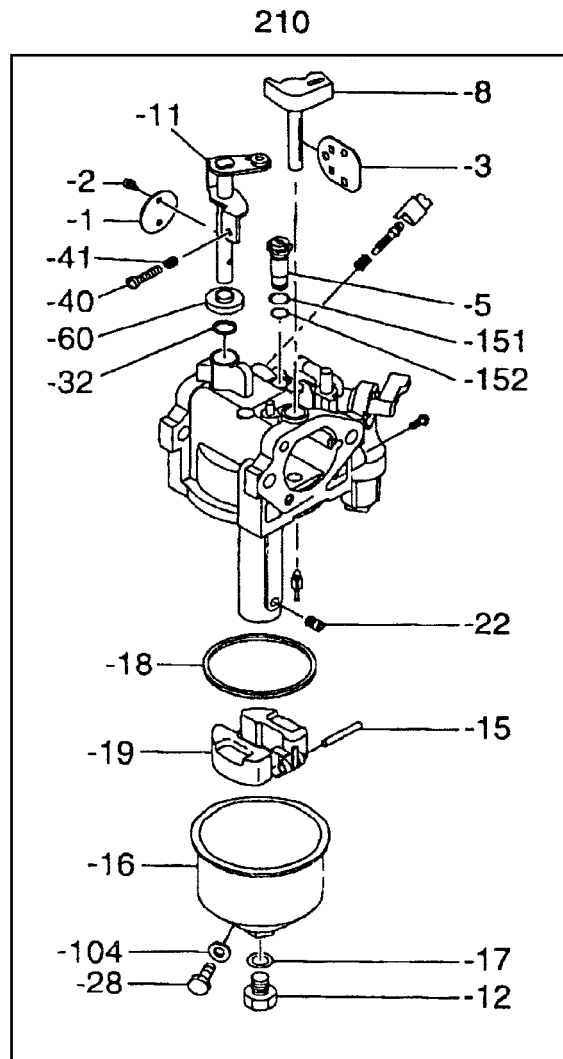
SECTION 7 FUEL, LUBRICATION GROUP

FIG. 700



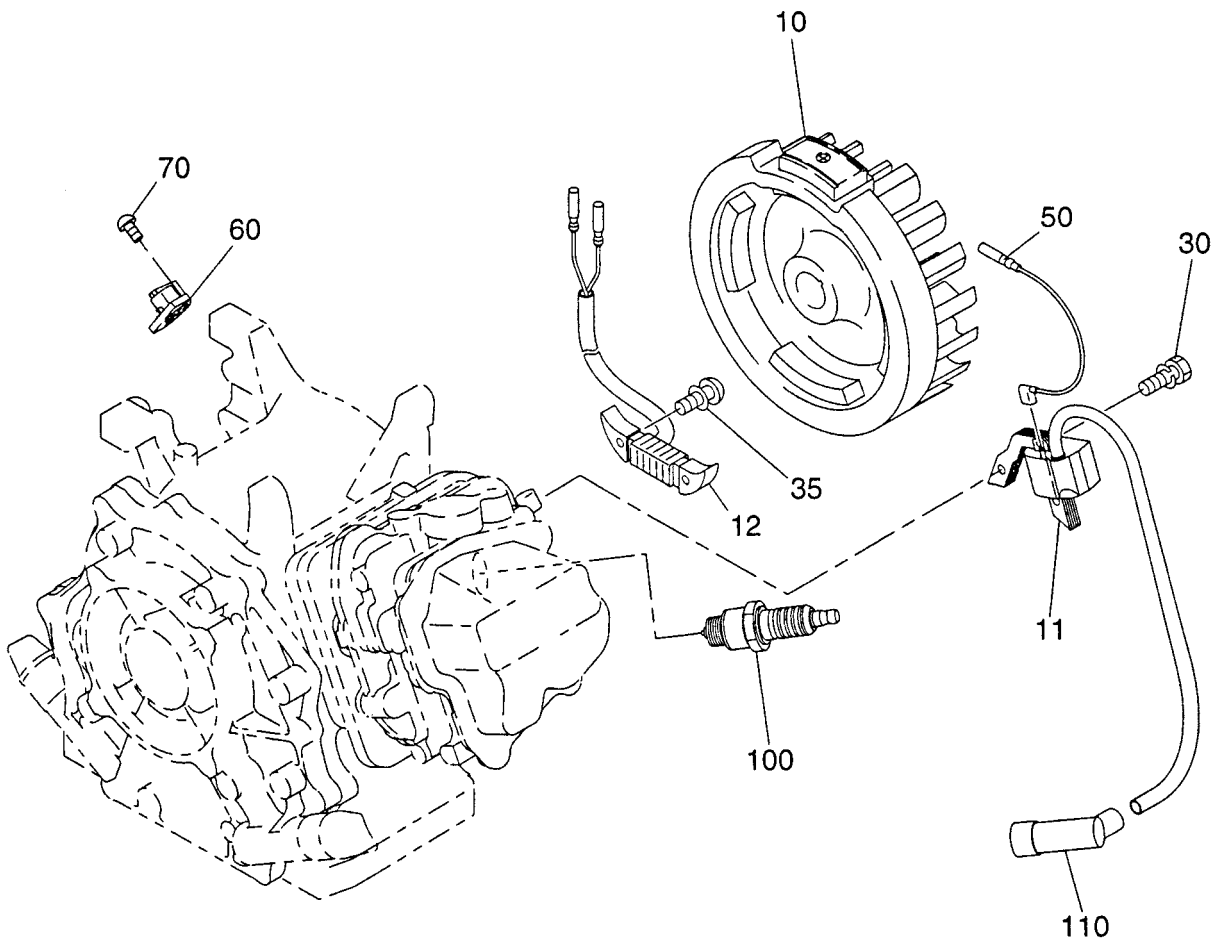
SECTION 7 FUEL, LUBRICATION GROUP

FIG. 710



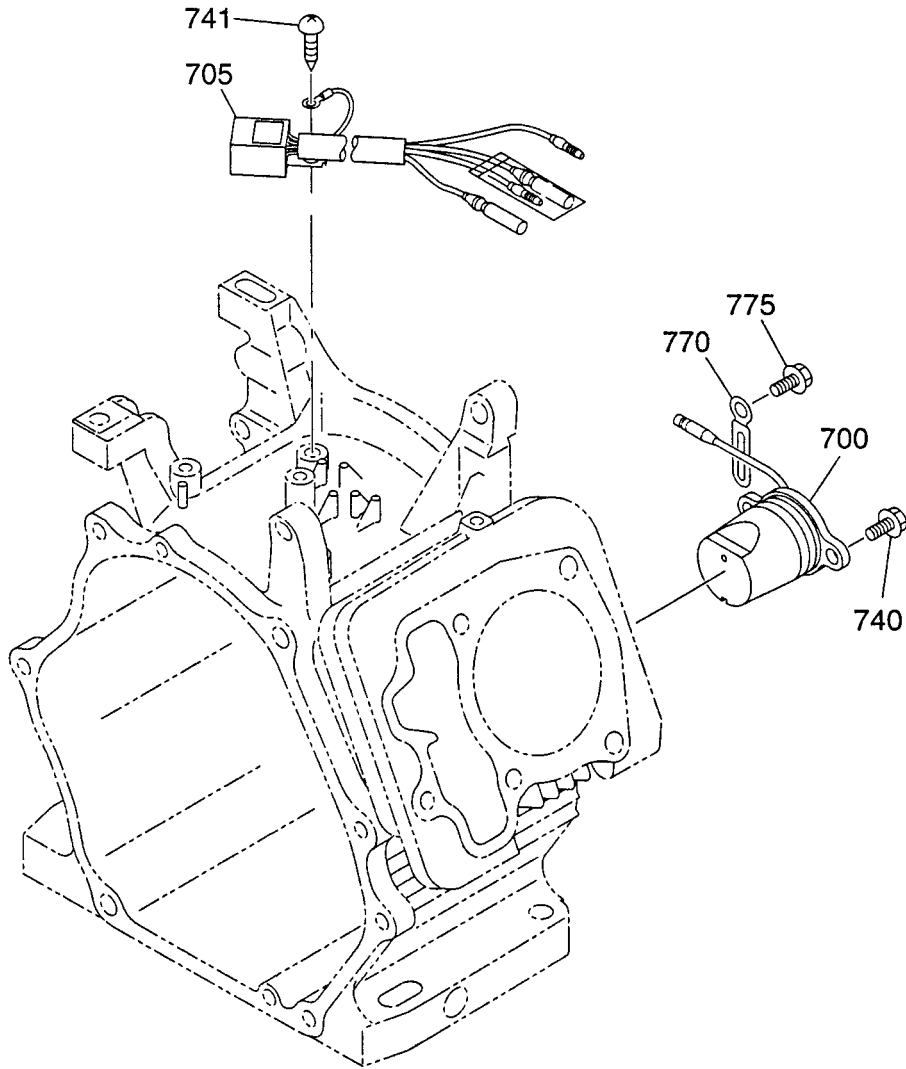
SECTION 8 ELECTRIC DEVICE GROUP

FIG. 800



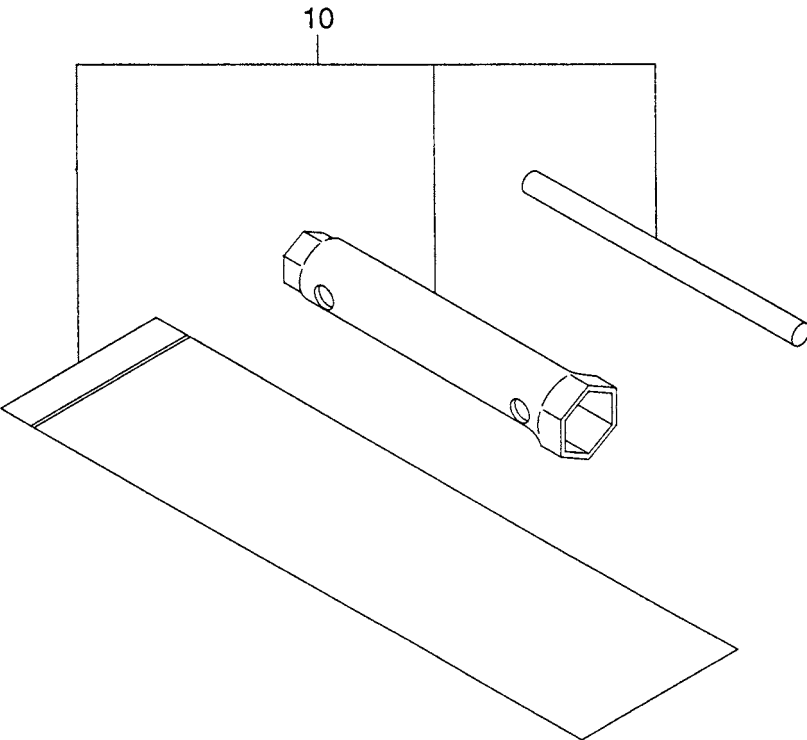
SECTION 8 ELECTRIC DEVICE GROUP

FIG. 810



SECTION 9 ACCESSORY GROUP

FIG. 900



PRINTED IN THE USA

Free Manuals Download Website

<http://myh66.com>

<http://usermanuals.us>

<http://www.somanuals.com>

<http://www.4manuals.cc>

<http://www.manual-lib.com>

<http://www.404manual.com>

<http://www.luxmanual.com>

<http://aubethermostatmanual.com>

Golf course search by state

<http://golfingnear.com>

Email search by domain

<http://emailbydomain.com>

Auto manuals search

<http://auto.somanuals.com>

TV manuals search

<http://tv.somanuals.com>