

PARTS MANUAL

Model

**SGX5000 - 50 State
GENERATORS**

PUB-EP
Rev. 03/12



SUBARU

Industrial Power Products

Robin America, Inc.

905 Telsler Road • Lake Zurich, IL 60047 • Phone: 847-540-7300 • Fax: 847-438-5012
e-mail: sales@subarupower.com • www.subarupower.com

© Copyright 2012 Robin America, Inc.

GROUP INDEX

Group Name	Page
CRANKCASE GROUP	4
CRANKSHAFT GROUP	8
INTAKE and EXHAUST GROUP	10
GOVERNOR GROUP	14
COOLING and STARTING GROUP	16
FUEL, LUBRICATION GROUP	18
ELECTRIC.....	22

FIG. 1 CRANKCASE GROUP

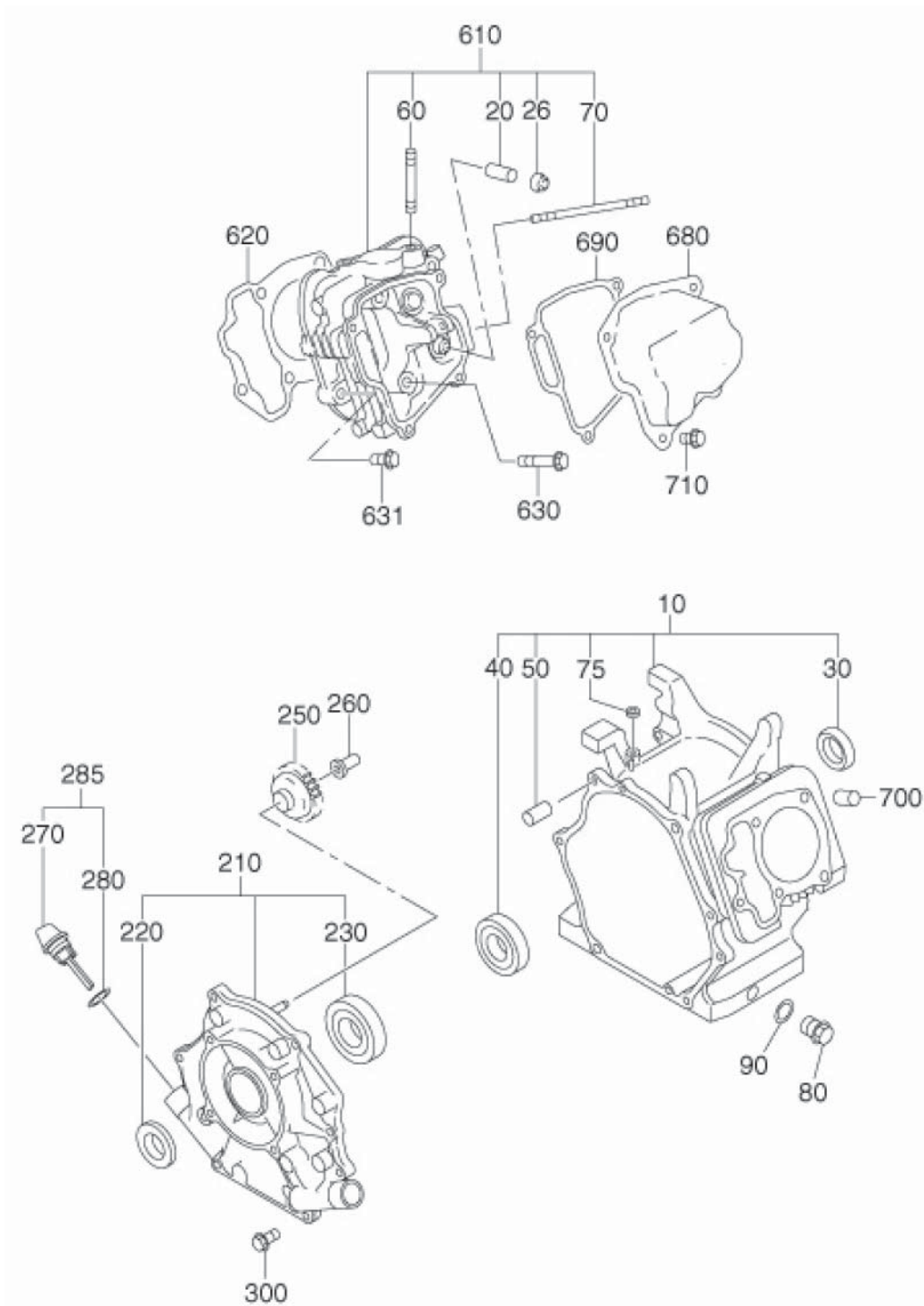


FIG. 2 CRANKSHAFT GROUP

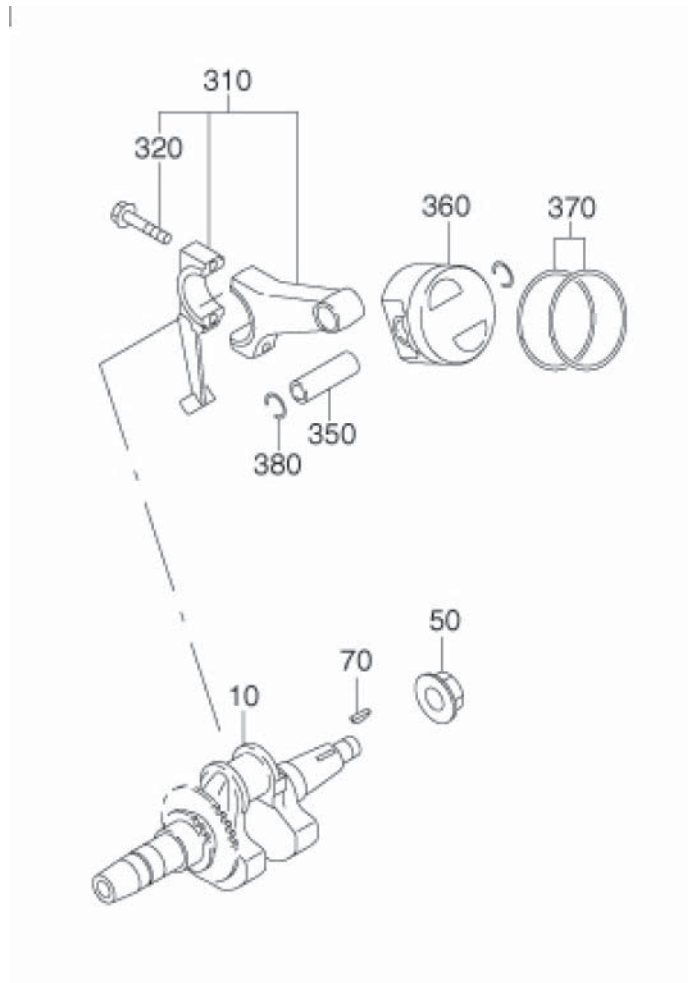


FIG. 2 CRANKSHAFT GROUP

Ref.	Part Number	Description	Qty	Remarks	To-From	Fig.
10	291-21201-11	CRANK SHAFT CP	1		8826-	200
	291-21201-01	CRANK SHAFT CP	1	L=342 22.1DX1/5.3TAP	-8825	200
50	018-01800-10	FLANGE NUT	1	M18X1.5X31DX14H	-	200
70	032-30300-10	WOODRUFF KEY	1	3BX6HX16D	-	200
310	291-22501-00	CONNECTING ROD AY	1	104.5CDX26B 34.5D-18	-	200
320	279-23001-03	CONNECTING ROD BOLT	2	M7X1.0X13.8DX40L	-	200
350	279-23301-13	PISTON PIN	1	18DX13DX53L	-	200
360	291-23401-H3	PISTON	1	STD (75DX38.5H)	-	200
370	291-23501-17	PISTON RING SET	1	STD (75D)	-	200
380	056-51800-10	CLIP	2		-	200

FIG. 3 INTAKE and EXHAUST GROUP

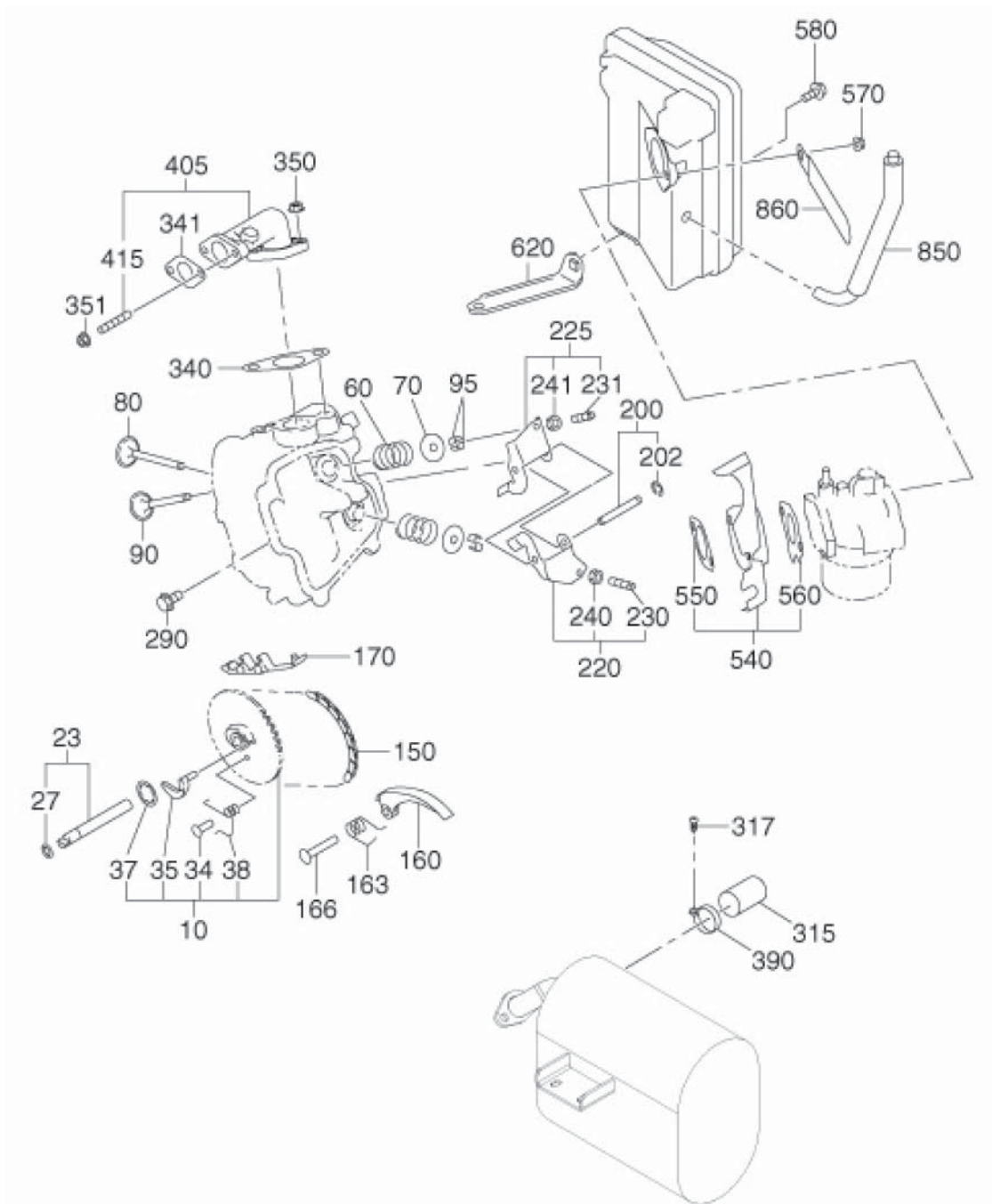


FIG. 3 INTAKE and EXHAUST GROUP

Ref.	Part Number	Description	Qty	Remarks	To-From	Fig.
10	279-31602-31	CAM SHAFT CP	1		9098-	301
	279-31602-21	CAM SHAFT CP	1		-9097	301
23	277-35101-01	PIN(CAM SHAFT)CP	1		-	301
27	024-00600-30	O RING	1	5.8DX9.6D	-	301
34	277-38601-03	PIN(SPRING)	1	4DX8DX9L	-	301
35	279-36401-13	RELEASE LEVER	1		9098-	301
	279-36401-03	RELEASE LEVER	1		-9097	301
37	277-36501-03	CLIP	1	13.8DX20.3DX0.4T	-	301
38	277-38703-13	RETURN SPRING	1		9098-	301
	277-38703-03	RETURN SPRING	1		-9097	301
60	279-33601-03	VALVE SPRING	2	19.2DX2.3DX27.4L	-	301
70	269-33701-03	SPRING RETAINER	2		-	301
80	279-33401-H3	INTAKE VALVE	1	28.5DX5.5DX67.8L	-	301
90	279-33501-H3	EXHAUST VALVE	1	26.5DX5.5DX67.8L	-	301
95	132-10KA0-31	COLLET-VALVE	4		-	301
150	279-35602-H1	TIMING CHAIN CP	1	100 LINK	-	301
160	277-36911-03	TENTIONER	1		-	301
163	277-37101-03	SPRING(TENTIONER)	1	10DX1.8DX14L N=4.5	-	301
166	277-36902-03	PIN(TENTIONER)	1	6DX13DX34L	-	301
170	277-36913-13	CHAIN GUIDE	1		-	301
200	277-35004-01	PIN(ROCKER) CP	1		-	301
202	003-13050-00	CLIP	1	5DX11DX0.6T	-	301
220	277-36201-00	ROCKER ARM(IN) AY	1		-	301
225	277-36202-00	ROCKER ARM(EX) AY	1		-	301
230	014-90500-20	ADJUST SCREW	1	M5X0.5X23L	-	301
231	014-90500-20	ADJUST SCREW	1	M5X0.5X23L	-	301
240	017-00500-30	NUT	1	M5X0.5X4.1H	-	301
241	017-00500-30	NUT	1	M5X0.5X4.1H	-	301
290	011-00600-10	FLANGE BOLT	1	M6X1.0X14DX8L	-	301
340	277-35201-13	GASKET(MUFFLER)	1	T=0.2 26D 9DX58P	-	301
341	270-35201-01	GASKET CP (MUFFLER)	1	T=0.4 30D 8.5DX52P	-	301
350	002-38080-00	FLANGE NUT	2	M8X1.25X17DX7.5H	-	301
351	002-38080-00	FLANGE NUT	2	M8X1.25X17DX7.5H	-	301
405	277-34001-01	EXHAUST PIPE CP	1		-	301
415	010-50802-90	STUD	2	M8X1.25X30L	-	301
540	279-32902-J1	INSULATOR CP	1	W/GASKET	-	301
550	279-35903-J3	GASKET2(INSULATOR)	1	T=0.5	-	301
560	279-35902-J3	GASKET1(INSULATOR)	1	T=0.5	-	301
570	002-38060-00	FLANGE NUT	2	M6X1.0X13DX6H	-	301
580	001-04062-00	FLANGE BOLT	1	M6X1.0X13DX20L	-	301
620	279-39001-01	BRACKET(A/C) CP	1		-	301
850	291-66001-H0	RUBBER PIPE AY	1		-	301
860	056-60002-50	CLAMP	1	6.5DX10BX95LX0.6T	-	301

FIG. 3 INTAKE and EXHAUST GROUP

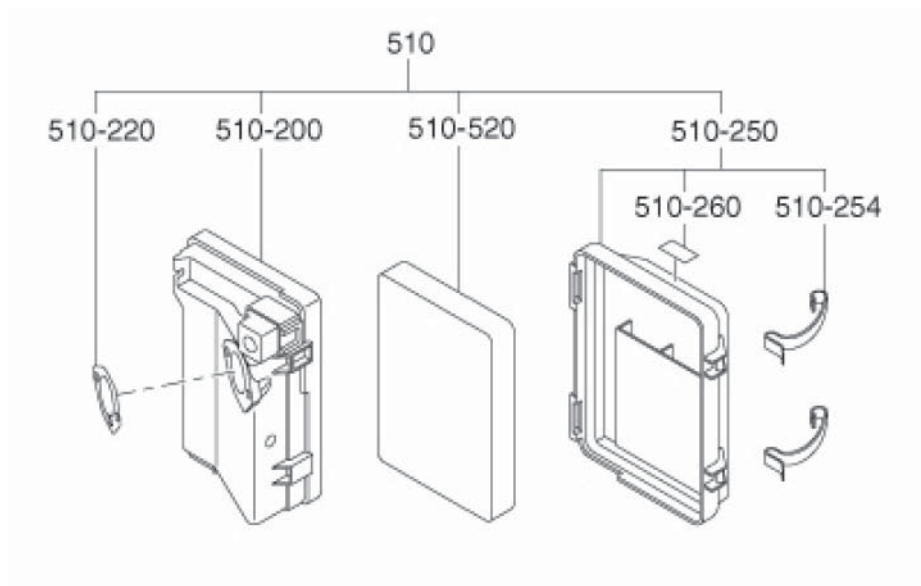


FIG. 4 GOVERNOR GROUP

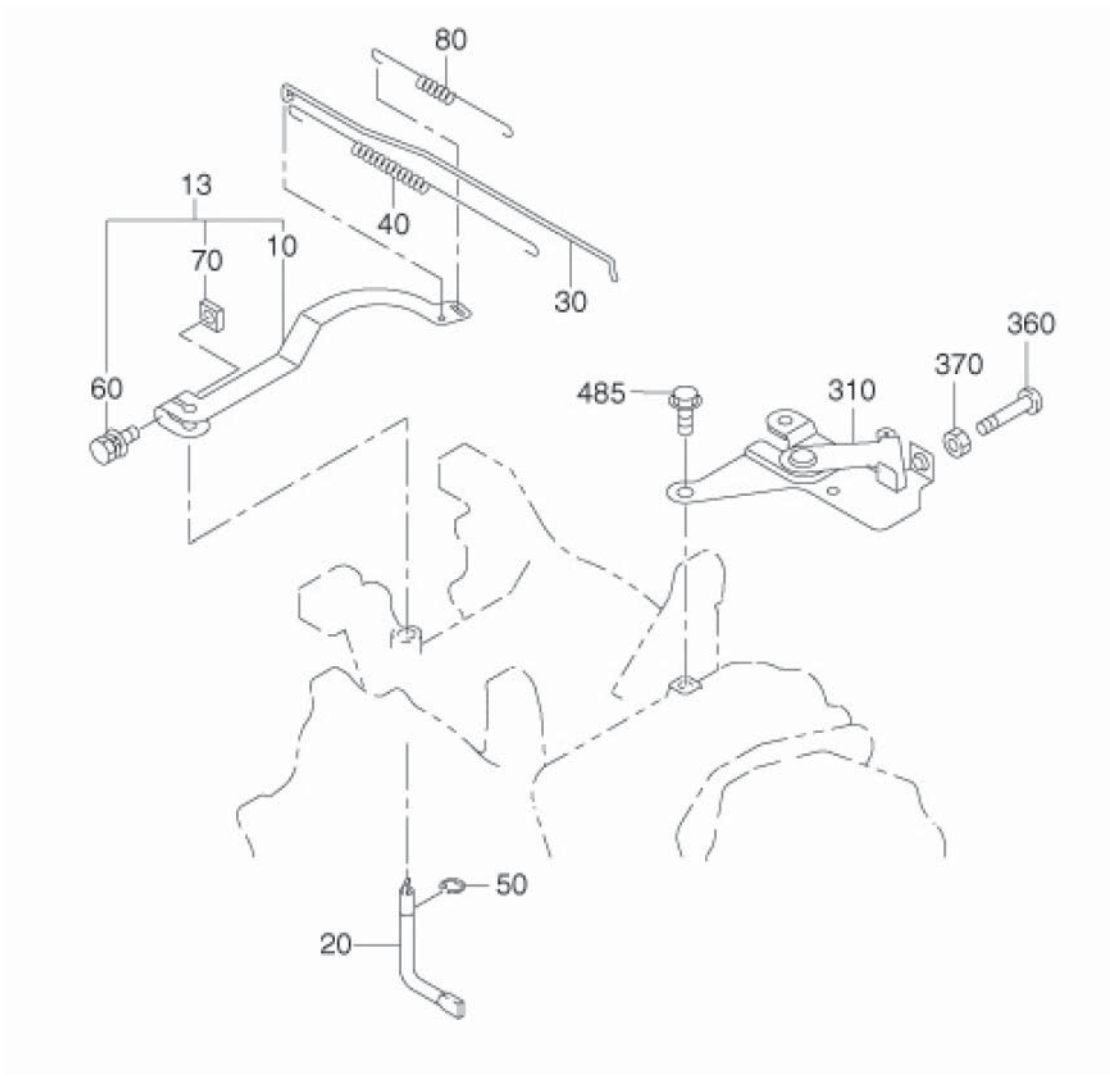


FIG. 4 GOVERNOR GROUP

Ref.	Part Number	Description	Qty	Remarks	To-From	Fig.
13	279-42301-60	GOVERNOR LEVER AY	1		-	400
20	277-42201-33	GOVERNOR SHAFT	1		-	400
30	279-42701-23	GOVERNOR ROD	1		-	400
40	277-42801-23	ROD SPRING	1	7DX0.5DX182L N=16	-	400
50	003-13050-00	CLIP	1	5DX11DX0.6T	-	400
60	001-14062-50	BOLT AND WASHER AY	1	M6X1.0X25L W/W,SW	-	400
70	018-60600-20	NUT	1	M6X1.0X4.9H SQUARE	-	400
80	279-42502-73	GOVERNOR SPRING	1		-	400
310	277-46501-11	SPEED CONTROL CP	1		-	400
360	004-31064-00	SCREW	1	M6X1.0X40L	-	400
370	002-17060-00	NUT	1	M6X1.0X5H	-	400
485	011-00600-20	FLANGE BOLT	2	M6X1.0X14DX12L	-	400

FIG. 5 COOLING and STARTING GROUP

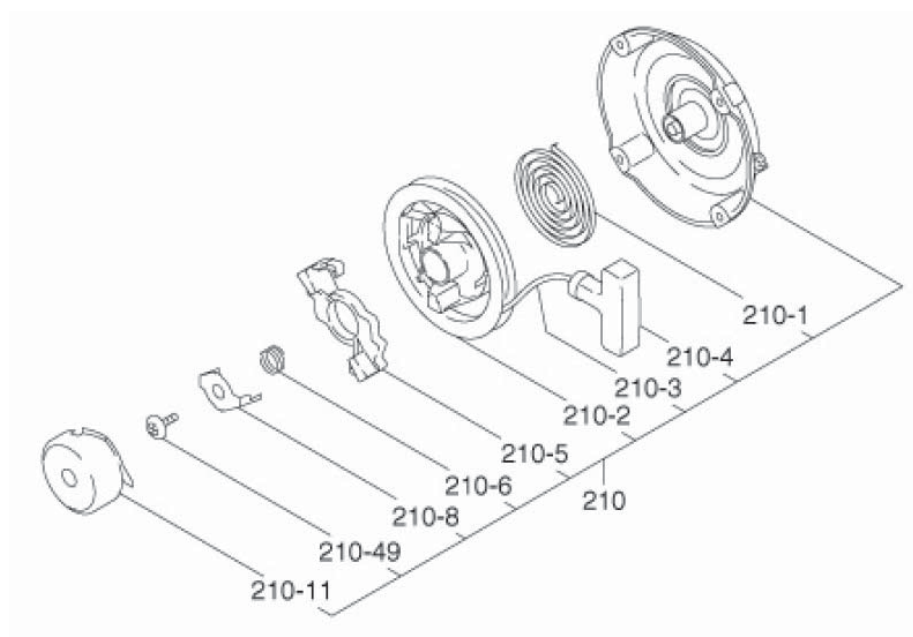
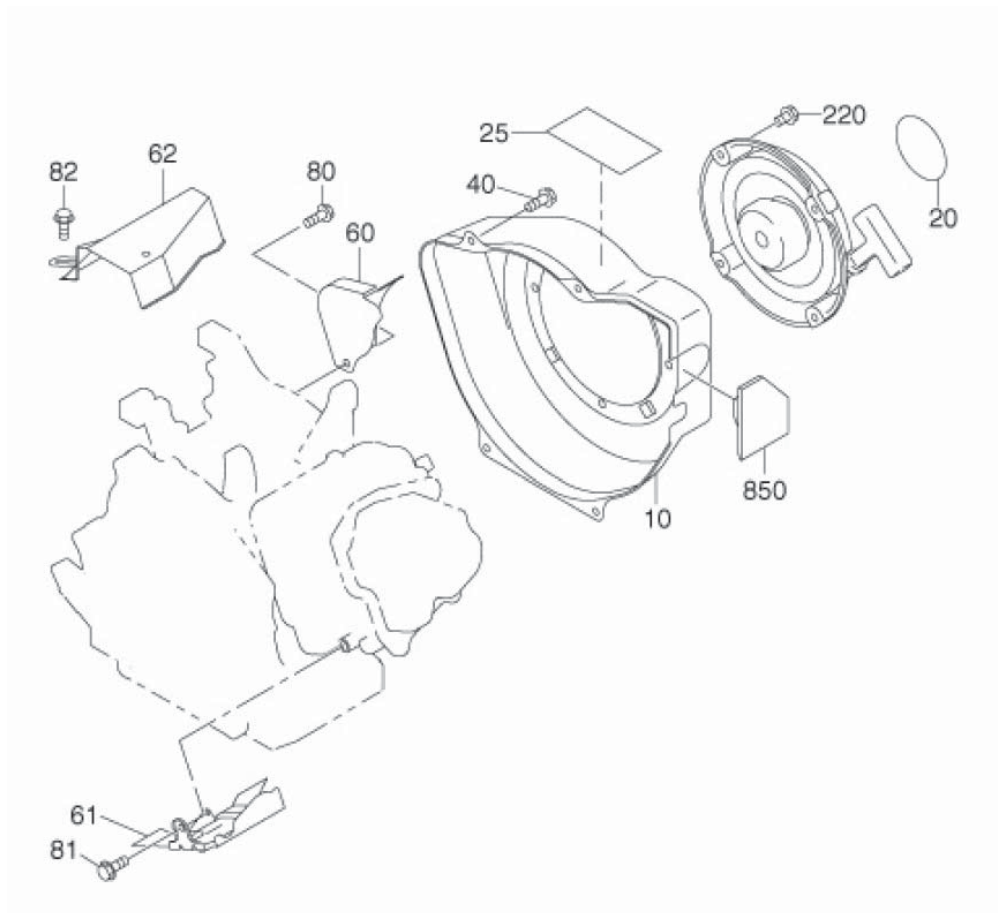


FIG. 5 COOLING and STARTING GROUP

Ref.	Part Number	Description	Qty	Remarks	To-From	Fig.
10	279-51402-01	BLOWER HOUSING CP	1		8948-	500
	279-51202-01	BLOWER HOUSING CP	1	BLACK	-8947	500
20	073-20058-20	LABEL(TRADE MARK)	1	60D	-	500
25	073-20058-50	LABEL(WARNING)	1		-	500
40	011-00600-30	FLANGE BOLT	4	M6X1.0X14DX14L	-	500
60	279-52711-11	BAFFLE 1(CASE) CP	1		-	500
61	279-52702-13	BAFFLE 2(HEAD)	1		-	500
62	277-55002-03	DUCT (CASE)	1		-	500
80	001-65081-20	BOLT	1	M8X1.25X12L	-	500
81	011-00600-20	FLANGE BOLT	1	M6X1.0X14DX12L	-	500
82	011-00600-20	FLANGE BOLT	3	M6X1.0X14DX12L	-	500
210	279-50301-20	RECOIL STARTER AY	1		-	520
	226-50716-08	SPIRAL SPRING	1		-	520
-2	277-50121-08	REEL	1		-	520
-3	279-50110-08	STARTER ROPE	1		-	520
-4	226-50701-18	STARTER KNOB	1		-	520
-5	281-50325-08	RATCHET	1		-	520
-6	281-50330-08	FRICTION SPRING	1		-	520
-8	281-50340-08	FRICTION PLATE	1		-	520
-11	279-50148-08	STARTER PULLEY	1		-	520
-49	281-50351-08	CENTER SCREW	1		-	520
220	013-00602-81	BOLT AND WASHER AY	4	M6X1.0X14L W/SW	-	500
850	279-59604-13	SPONGE 4	1	90X70X5T	-	500

FIG. 6 FUEL LUBRICANT GROUP

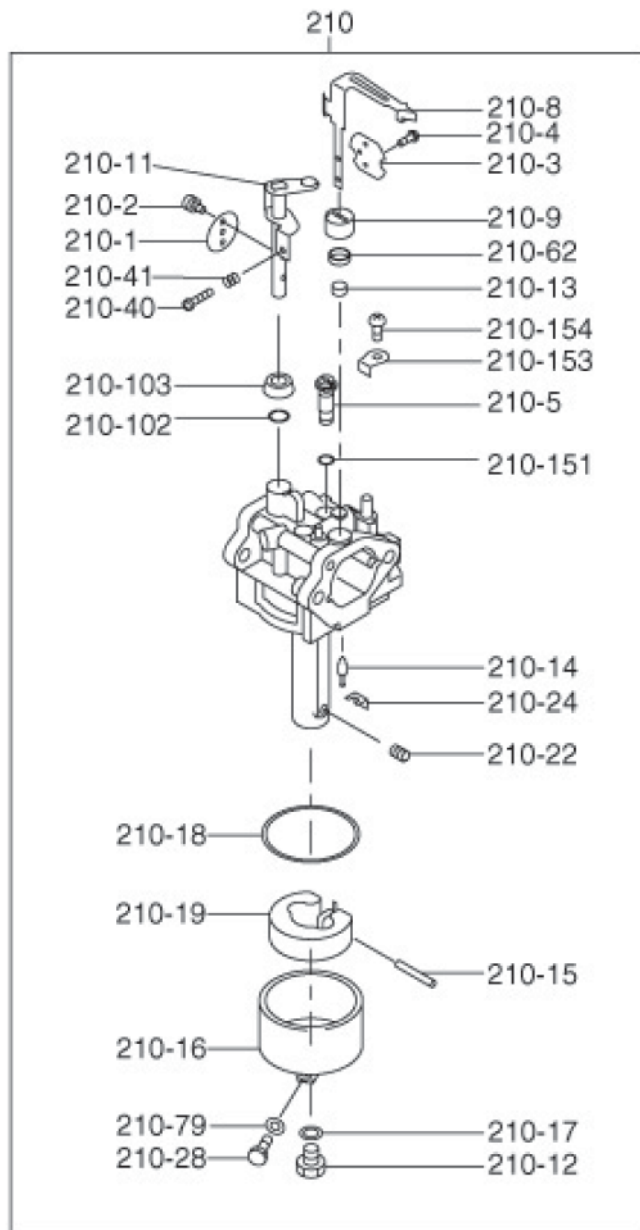


FIG. 6 FUEL LUBRICANT GROUP

Ref.	Part Number	Description	Qty	Remarks	To-From	Fig.
210	279-62364-20	CARBURETOR AY	1		9132-	641
	279-62364-10	CARBURETOR AY	1		9014-9131	641
	279-62364-00	CARBURETOR AY	1		-9013	641
	279-62536-08	THROTTLE VALVE	1		-	641
-2	209-62351-08	SCREW	1		-	641
-3	279-62528-08	CHOKE VALVE	1		-	641
-4	237-62451-08	SCREW	2		-	641
-5	279-62422-08	PILOT JET	1	#38.8	-	641
-8	279-62523-08	CHOKE LEVER	1		-	641
-9	279-62554-08	RING	1		-	641
-11	279-62533-08	THROTTLE SHAFT-A	1		-	641
-12	150-62358-08	BOLT	1		-	641
-13	277-62571-08	RING	1		-	641
-14	224-62305-08	NEEDLE VALVE	1		-	641
-15	214-62515-08	PIN	1		-	641
-16	279-62506-08	FLOAT BODY-A	1		-	641
-17	207-62345-08	INSERT WASHER	1		-	641
-18	206-62540-08	PACKING	1		-	641
-19	234-62506-08	FLOAT-A	1		-	641
-22	279-62408-08	MAIN JET	1	#92.5	-	641
-24	226-62701-18	CLIP	1		-	641
-28	279-62361-08	BOLT	1		-	641
-40	106-62556-08	SCREW	1		-	641
-41	283-62357-08	SPRING	1		-	641
-62	236-62680-08	SEAL	1		-	641
-79	279-62541-08	WASHER	1		-	641
-102	246-62390-08	SEAL	1		-	641
-103	279-62551-08	RING	1		-	641
-151	106-62384-08	O-RING	1		-	641
-153	279-62360-08	PLATE	1		-	641
-154	279-62351-08	SCREW	1		-	641

FIG. 7 ELECTRIC GROUP

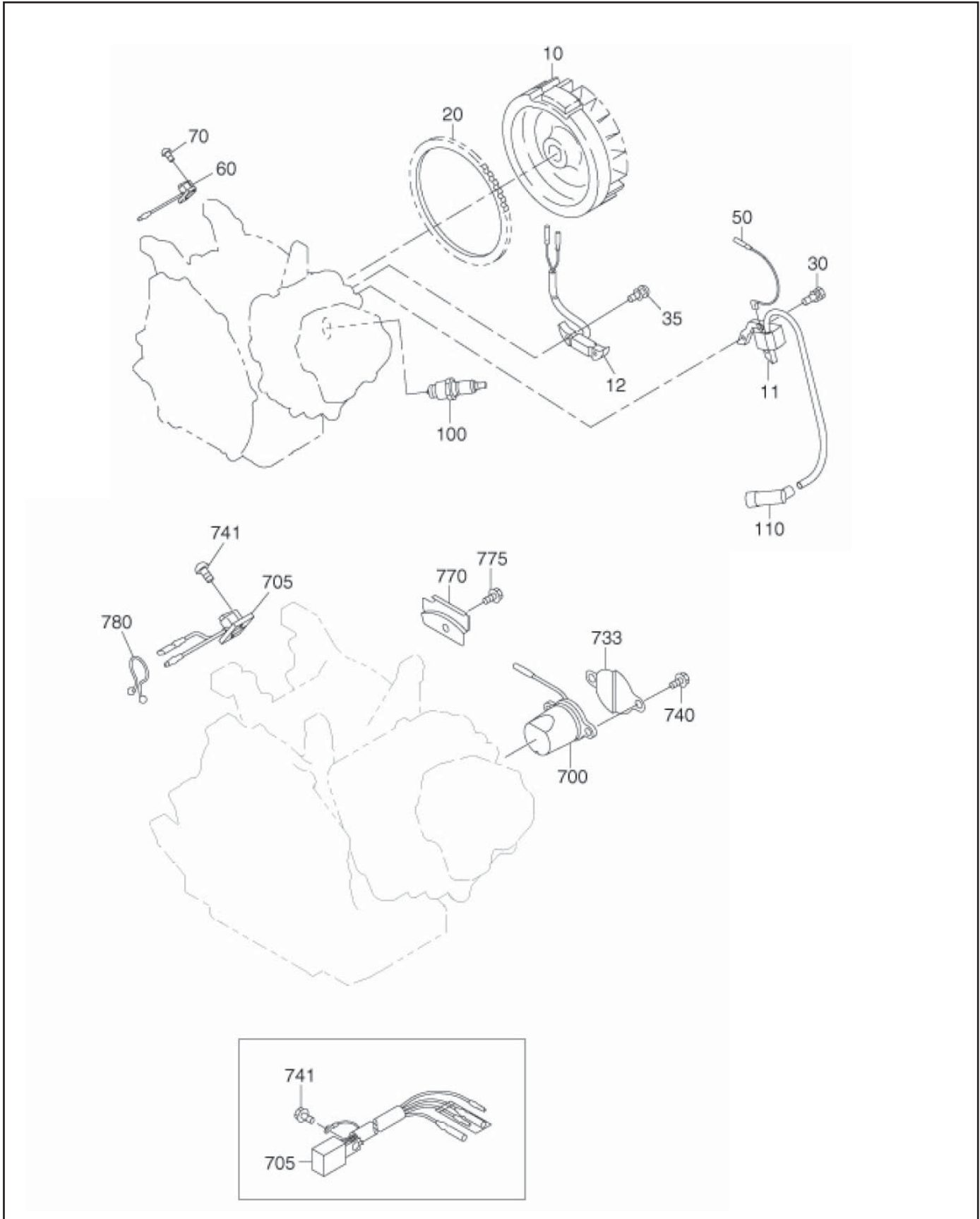


FIG. 7 ELECTRIC GROUP

Ref.	Part Number	Description	Qty	Remarks	To-From	Fig.
10	279-79230-11	FLYWHEEL CP	1	MARK FA AP02	-	700
11	279-79430-01	IGNITION COIL CP	1	MARK AB	-	700
30	001-04062-00	FLANGE BOLT	2	M6X1.0X13DX20L	-	700
50	277-73102-H1	WIRE 2 CP	1	L=360 BLACK	-	700
60	066-00004-91	SWITCH AY	1		-	700
70	015-00400-90	TAPPING SCREW	2	M4X12L	-	700
100	065-01401-50	SPARK PLUG	1	NGK BR6HS	-	700
110	065-50002-70	SPARK PLUG CAP	1		-	700
700	279-76301-51	OIL SENSOR CP	1		-	770
705	KU3-11075-01	FLOAT C/U CP9	1		-	770
733	277-75801-03	SHIELD PLATE(O/S)	1		-	770
740	001-04061-40	FLANGE BOLT	2	M6X1.0X13DX14L	-	770
741	013-00602-81	BOLT AND WASHER AY	1	M6X1.0X14L W/SW	-	770
770	279-75501-23	WIRE CLAMP	1		9002-	770
	279-75501-13	WIRE CLAMP	1		-9001	770
775	015-20600-50	TAPPING BOLT	1	M6X13DX10L	-	770

FIG. 22 GROUP

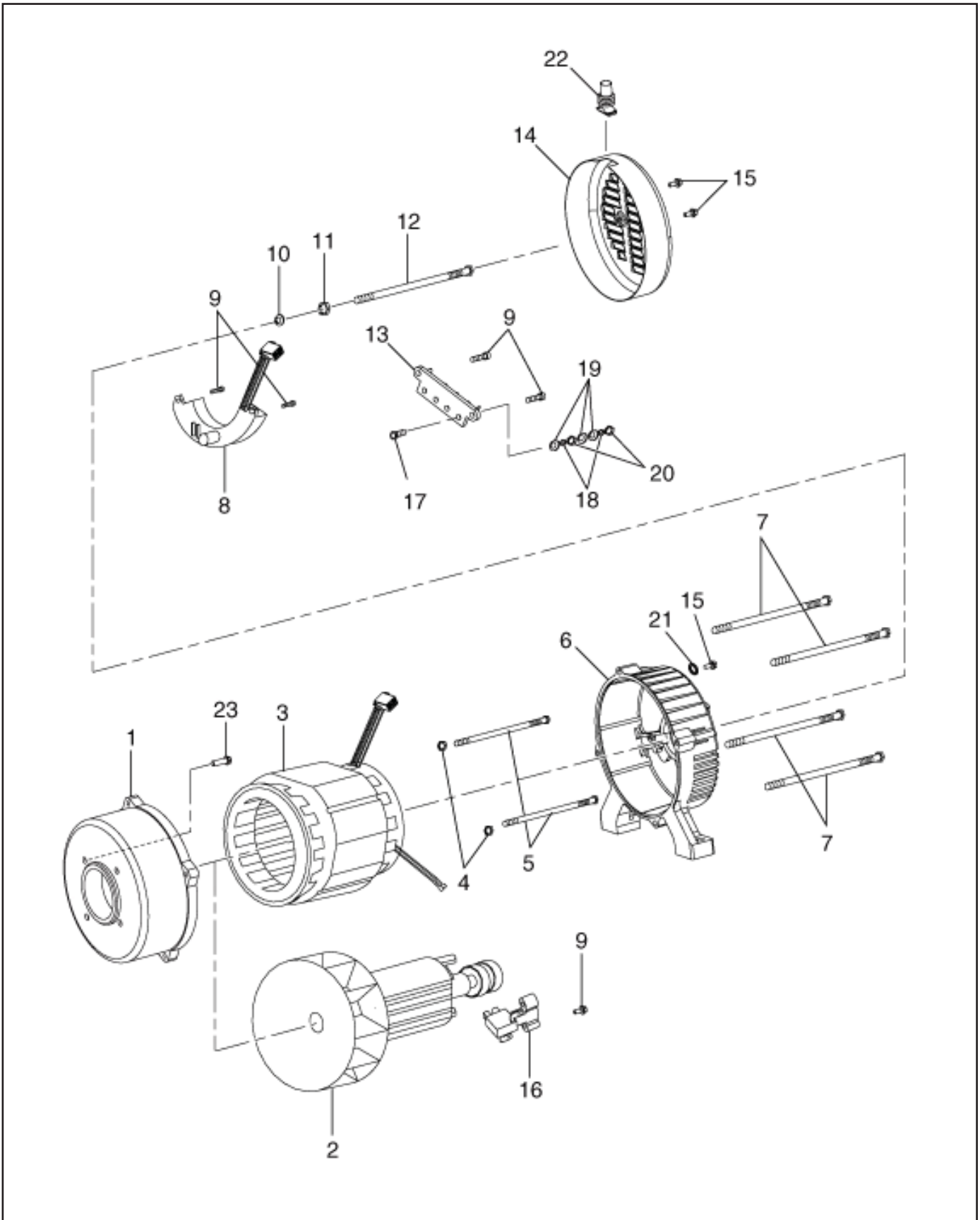


FIG. 22 GROUP

Ref.	Part Number	Description	Qty	Remarks	To-From	Fig.
1	RGR40020004	ENGINE ADAPTOR	1		-	2200
2	RGR40020002	ROTOR ASSY	1		-	2200
3	RGR40020003	STATOR ASSY	1		-	2200
4	RGRGBT8891NF5	NUT HEX FLANGE	2		-	2200
5	RGRGB5782B5	BOLT HEX	2		-	2200
6	RGR40010005	BEARING ADAPTOR	1		-	2200
7	RGRGB16674BF62	BOLT HEX FLANGE	4		-	2200
8	RGR40020005	AVR	1		-	2200
9	RGRGB5789BF516	BOLT HEX FLANGE	5		-	2200
10	RGRGBT971W10	WASHER FLAT	1		-	2200
11	RGRGB93WL10	WASHER LOCK	1		-	2200
12	RGR40020006	BOLT HEX	1		-	2200
13	RGR40010009	WIRING BOARD ASSY	1		-	2200
14	RGR40010006	MOTOR COVER	1		-	2200
15	RGRGB5789BF58	BOLT HEX FLANGE	3		-	2200
16	RGR40010007	BRUSH	1		-	2200
17	RGRGB5789BF520	BOLT HEX FLANGE	4		-	2200
18	RGRGB93WL5	WASHER LOCK	8		-	2200
19	RGRGBT971W5	WASHER FLAT	12		-	2200
20	RGRGB6170N5	NUT HEX	8		-	2200
21	RGRGB8622WS5	WASHER STAR	1		-	2200
22	RGR5001008	RUBBER SLEEVE	1		-	2200
23	RGR660596002	BOLT HEX FLANGE	4		-	2200

FIG. 23 GROUP

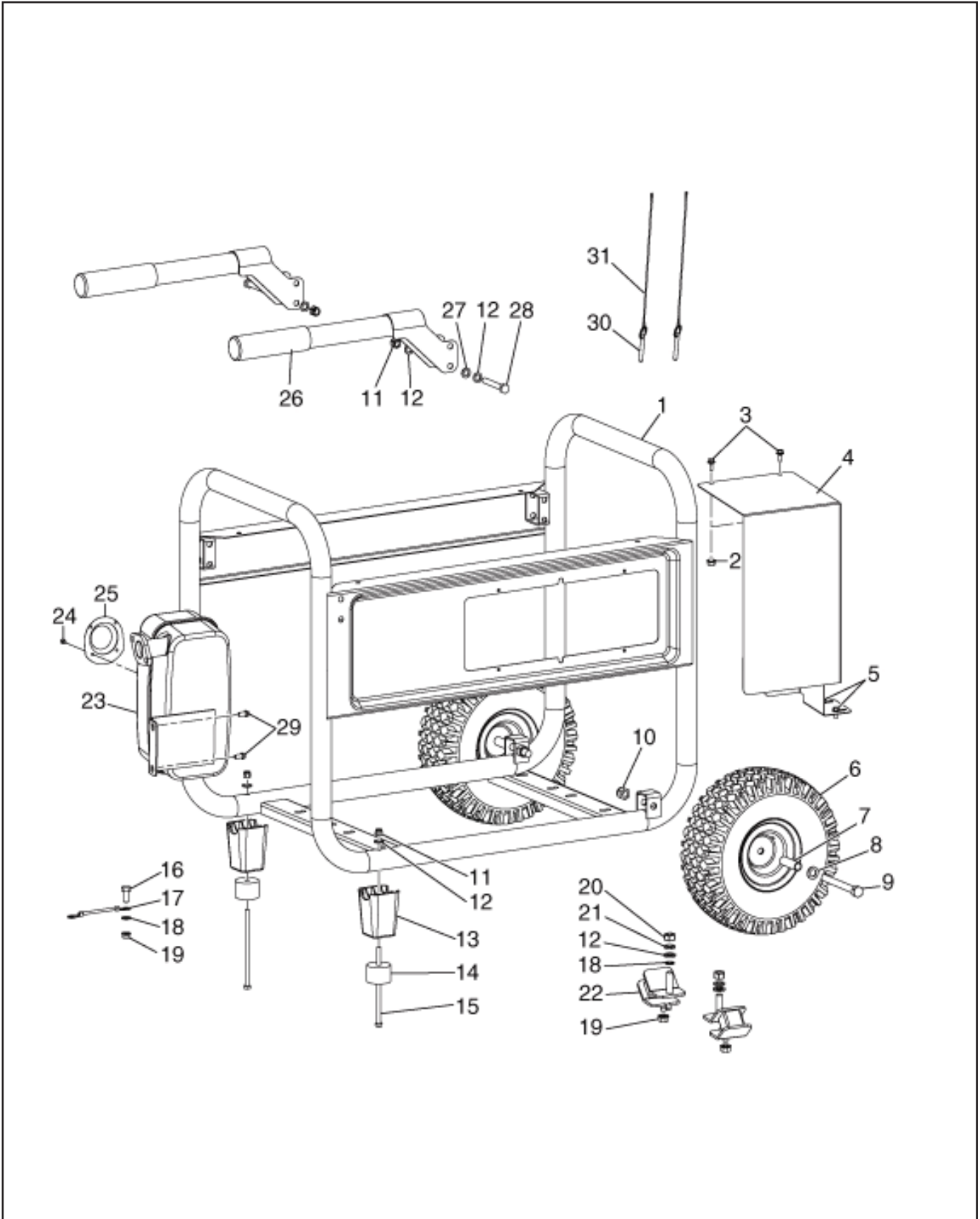


FIG. 23 GROUP

Ref.	Part Number	Description	Qty	Remarks	To-From	Fig.
1	RGR30020001	CARRIER ASSY	1		-	2300
2	RGR325491002	NUT HEX FLANGE	2		-	2300
3	RGRGB166741BF5	BOLT HEX FLANGE	2		-	2300
4	RGR30020014	HEATSHIELD	1		-	2300
5	RGRGB158564SF4	TAPPING SCREW	2		-	2300
6	RGR310223001	WHEEL	2		-	2300
7	RGR638498001	SPACER	2		-	2300
8	RGRGBT971W10	WASHER FLAT	2		-	2300
9	RGR661558002	BOLT HH	2		-	2300
10	RGR678659001	NUT LOCK	2		-	2300
11	RGR678259003	NUT LOCK	4		-	2300
12	RGRGBT971W8	WASHER FLAT	10		-	2300
13	RGR80010012	PLASTIC FOOT	2		-	2300
14	RGR570355001	RUBBER FOOT	2		-	2300
15	RGR0501620115	BOLT HEX	1		-	2300
16	RGR661502005	BOLT HEX	1		-	2300
17	RGR290404001	ASSY WIRE GROUND	1		-	2300
18	RGRGB8622WS8	WASHER STAR	2		-	2300
19	RGR678145002	BOLT HEX	5		-	2300
20	RGR30020015	NUT HEX	4		-	2300
21	RGRGB93WL8	WASHER LOCK	6		-	2300
22	RGR30020007	ISOLATOR GENERATOR	4		-	2300
23	RGR30020011	MUFFLER ASSY	1		-	2300
24	RGR661306001	TAPPING SCREW	4		-	2300
25	RGR30010011	SPARK ARRESTOR	1		-	2300
26	RGR310224002	HANDLE ASSY	2		-	2300
27	RGR80010014	WASHER NYLON	2		-	2300
28	RGR660591004	BOLT HEX	2		-	2300
29	RGR660599002	BOLT HEX FLANGE	2		-	2300
30	RGR310712001	RELEASE PIN	2		-	2300
31	RGR310715001	LANYARD	2		-	2300

FIG. 24 GROUP

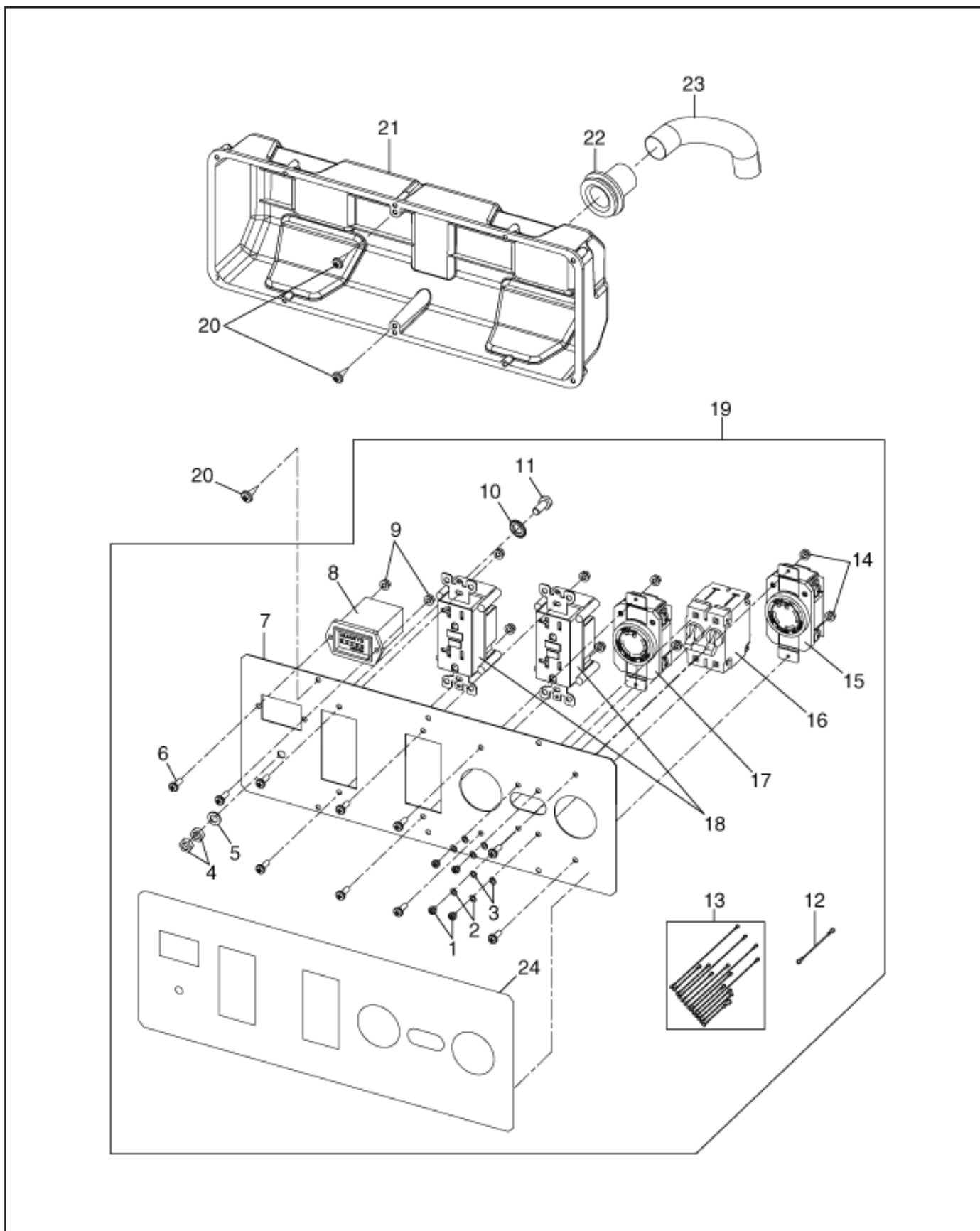


FIG. 24 GROUP

Ref.	Part Number	Description	Qty	Remarks	To-From	Fig.
1	RGRGBT818S3	SCREW	4		-	2400
2	RGRGBT971W3	WASHER FLAT	4		-	2400
3	RGRGB93WL3	WASHER LOCK	4		-	2400
4	RGR678810002	NUT HEX	2		-	2400
5	RGRGBT971W6	WASHER FLAT	1		-	2400
6	RGRGBT818S4	SCREW	10		-	2400
7	RGR50020004	FRONT PANEL	1		-	2400
8	RGR50010016	HOUR METER	1		-	2400
9	RGRGB6170N4	NUT HEX	2		-	2400
10	RGRGB8622WS6	WASHER STAR	1		-	2400
11	RGR661503011	BOLT HEX	1		-	2400
12	RGR1010350001	WIRE ASSY	1		-	2400
13	RGR50020005	PANEL WIRE ASSY	1		-	2400
14	RGR50010017	NUT HEX FLANGE	8		-	2400
15	RGR50010013	RECEPTACLE	1		-	2400
16	RGR50020006	CIRCUIT BREAKER	1		-	2400
17	RGR50010014	RECEPTACLE	1		-	2400
18	RGR50010012	RECEPTACLE GFCI	2		-	2400
19	RGR50020002	FR.CONTROL BOX ASSY	1		-	2400
20	RGR660598001	TAPPING SCREW	6		-	2400
21	RGR50020003	BA.CONTROL BOX	1		-	2400
22	RGR50010018	WIRE PROTECT SLEEVE	1		-	2400
23	RGR1033350001	CORRUGATED PIPE	1		-	2400
24	RGR10115001001	LABEL POWER-OUTLET	1		-	2400

FIG. 26 GROUP

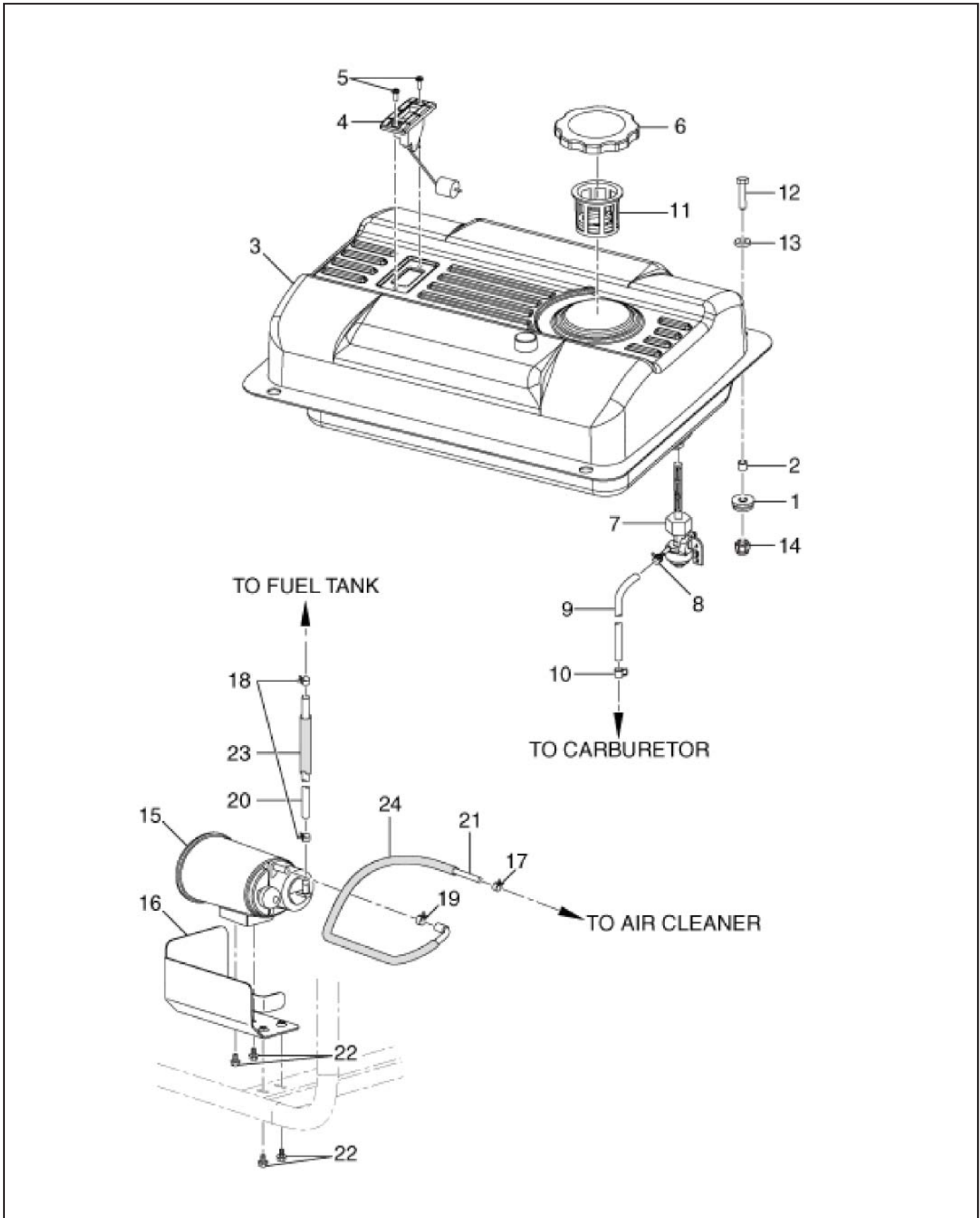
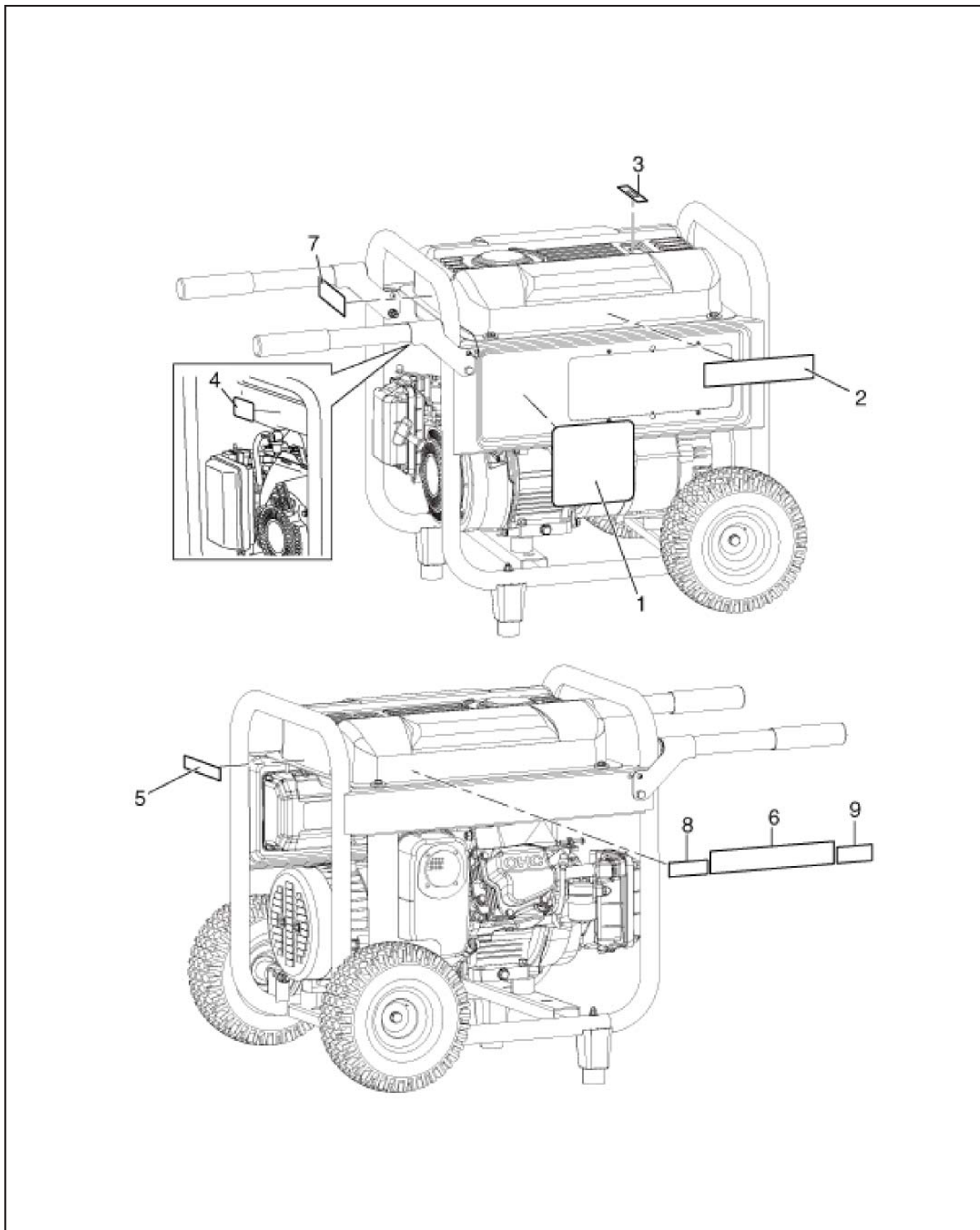


FIG. 26 GROUP

Ref.	Part Number	Description	Qty	Remarks	To-From	Fig.
1	RGR60010007	MOUNTING BUSHING	4		-	2601
2	RGR60010008	METAL INSERT	4		-	2601
3	RGR60020002	FUEL TANK	1		-	2601
4	RGR60020003	FUEL GUAGE ASSY	1		-	2601
5	RGRGBT8191S5	SCREW	2		-	2601
6	RGR1004350001	FUEL TANK CAP	1		-	2601
7	RGR60010004	FUEL VALVE	1		-	2601
8	RGR60010009	CLAMP	1		-	2601
9	RGR60020004	FUEL HOSE	1		-	2601
10	RGR60010006	CLAMP	1		-	2601
11	RGR1009350001	FUEL TANK SCREEN	1		-	2601
12	RGR661503005	BOLT HEX	4		-	2601
13	RGR638387002	WASHER FLAT	4		-	2601
14	RGR678656001	NUT LOCK	4		-	2601
15	RGR1030500001	CANISTER	1		-	2601
16	RGR1019500001	COVER CANISTER	1		-	2601
17	RGRQ673HC7	CLAMP	1		-	2601
18	RGR60010009	CLAMP	2		-	2601
19	RGRQ673HC10	CLAMP	1		-	2601
20	RGR1005500001	FUEL HOSE	1		-	2601
21	RGR1005500002	FUEL HOSE	1		-	2601
22	RGRGBT166741BF6	BOLT HEX FLANGE	4		-	2601
23	RGR1031350004	FUEL HOSE SLEEVE	1		-	2601
24	RGR1031350003	FUEL HOSE SLEEVE	1		-	2601

FIG. 29 GROUP



PRINTED IN THE USA

Robin America, Inc

905 Telsler Road • Lake Zurich, IL 60047
Phone: 847-540-7300 • Fax: 847-438-5012
e-mail: sales@subarupower.com • www.subarupower.com

Free Manuals Download Website

<http://myh66.com>

<http://usermanuals.us>

<http://www.somanuals.com>

<http://www.4manuals.cc>

<http://www.manual-lib.com>

<http://www.404manual.com>

<http://www.luxmanual.com>

<http://aubethermostatmanual.com>

Golf course search by state

<http://golfingnear.com>

Email search by domain

<http://emailbydomain.com>

Auto manuals search

<http://auto.somanuals.com>

TV manuals search

<http://tv.somanuals.com>