

PARTS MANUAL

Model

**SGX7500 - 50 State
GENERATORS**

PUB-EP
Rev. 03/12



SUBARU

Industrial Power Products

Robin America, Inc.

905 Telsler Road • Lake Zurich, IL 60047 • Phone: 847-540-7300 • Fax: 847-438-5012
e-mail: sales@subarupower.com • www.subarupower.com

© Copyright 2012 Robin America, Inc.

GROUP INDEX

Group Name	Page
CRANKCASE GROUP	4
CRANKSHAFT GROUP	8
INTAKE and EXHAUST GROUP	10
GOVERNOR GROUP	14
COOLING and STARTING GROUP	16
FUEL, LUBRICATION GROUP	18
ELECTRIC.....	22

FIG. 1 CRANKCASE GROUP

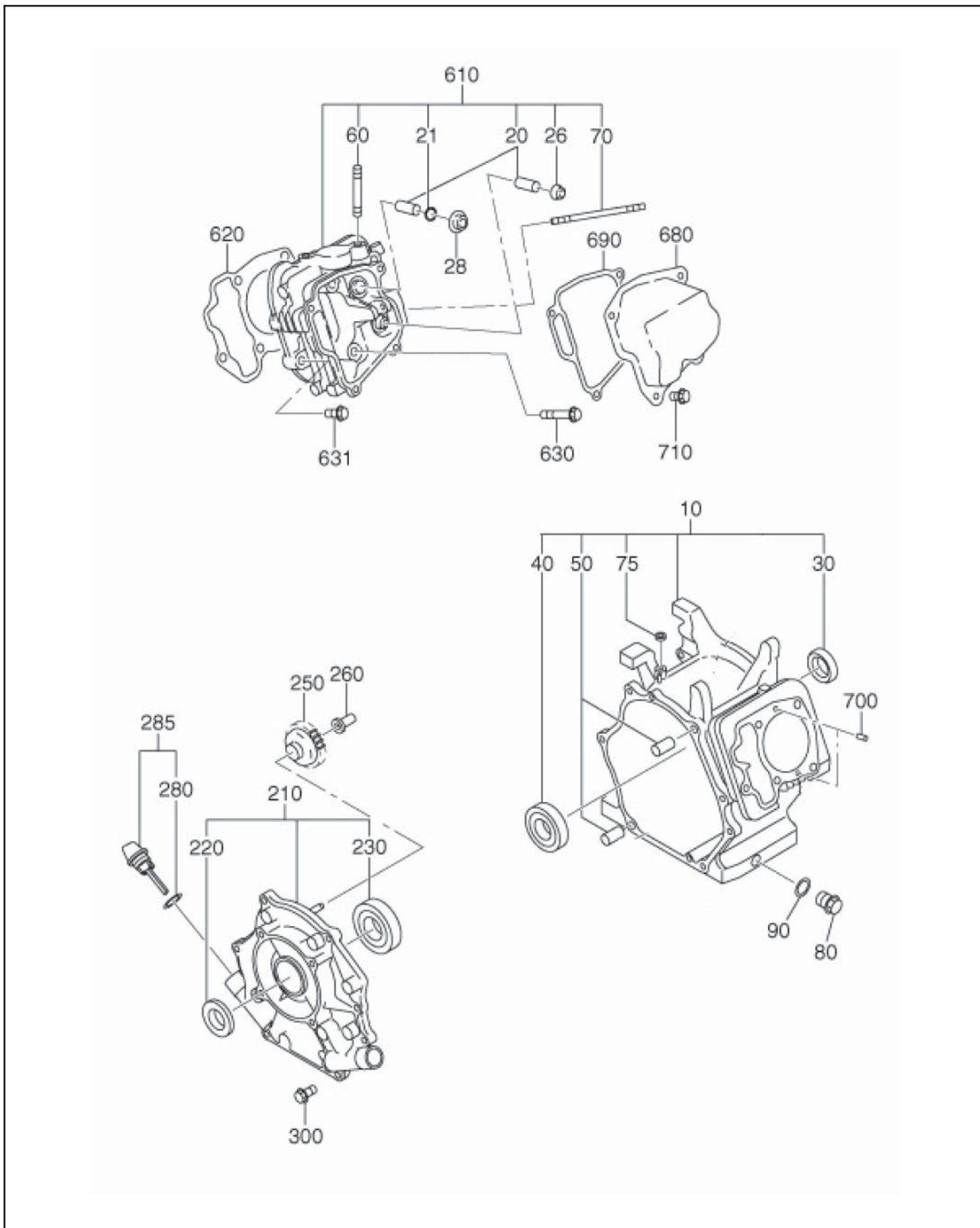


FIG. 1 CRANKCASE GROUP

Ref.	Part Number	Description	Qty	Remarks	To-From	Fig.
10	20B-10104-41	CRANK CASE CP	1		9025-	100
10	20B-10104-31	CRANK CASE CP	1		-9024	100
20	20B-14202-03	VALVE GUIDE	2		-	100
21	056-51000-50	CLIP	1	10.7DX0.9D	-	100
26	132-11AA1-10	SEAL-EXH VALVE	1		-	100
28	263-35341-03	RETAINER PLATE	1	11DX17.3DX27DX4.7H	-	100
30	044-03500-91	OIL SEAL	1	35DX48DX8B	-	100
40	X60-03502-40	BALL BEARING	1		-	100
50	277-15011-03	PIPE KNOCK	2	10.3DX8.5DX14L	-	100
60	010-50802-90	STUD	2	M8X1.25X30L	-	100
70	010-50603-51	STUD	2	M6X1.0X98L	-	100
75	044-00800-10	OIL SEAL	1	8DX14DX4B	-	100
80	040-11400-30	PLUG	2	M14X1.5X20DX12L	-	100
90	021-11400-20	GASKET	2	14.1DX19DX2.3T	-	100
210	20B-11005-21	MAINBEARING COVER CP	1		-	100
220	044-03500-91	OIL SEAL	1	35DX48DX8B	-	100
230	X60-03502-40	BALL BEARING	1		-	100
250	20B-45003-11	GOVERNOR GEAR CP	1		-	100
260	277-41902-01	GOVERNOR SLEEVE CP	1		-	100
280	021-32000-50	GASKET	2	20DX27DX1.5T RUBBER	-	100
285	279-63601-30	OIL GAUGE AY	2		-	100
300	011-00803-40	FLANGE BOLT	8	M8X1.25X17DX38L	-	100
610	20B-13001-00	CYLINDER HEAD AY	1		-	100
620	20B-15001-33	GASKET(HEAD)	1		8966-	100
620	20B-15001-23	GASKET(HEAD)	1		8780-8965	100
620	20B-15001-03	GASKET(HEAD)	1		-8779	100
630	011-01000-40	FLANGE BOLT	4	M10X1.25X19DX75L	-	100
631	001-04083-50	FLANGE BOLT	2	M8X1.25X16DX35L	-	100
680	20B-15501-01	ROCKER COVER CP	1		-	100
690	20B-16001-03	GASKET(ROCKER COVER)	1	T=0.5	-	100
700	031-00600-10	DOWEL PIN	2	6DX14.8L	-	100
710	011-00600-20	FLANGE BOLT	4	M6X1.0X14DX12L	-	100
960	20B-99001-07	GASKET SET				100

FIG. 2 CRANKSHAFT GROUP

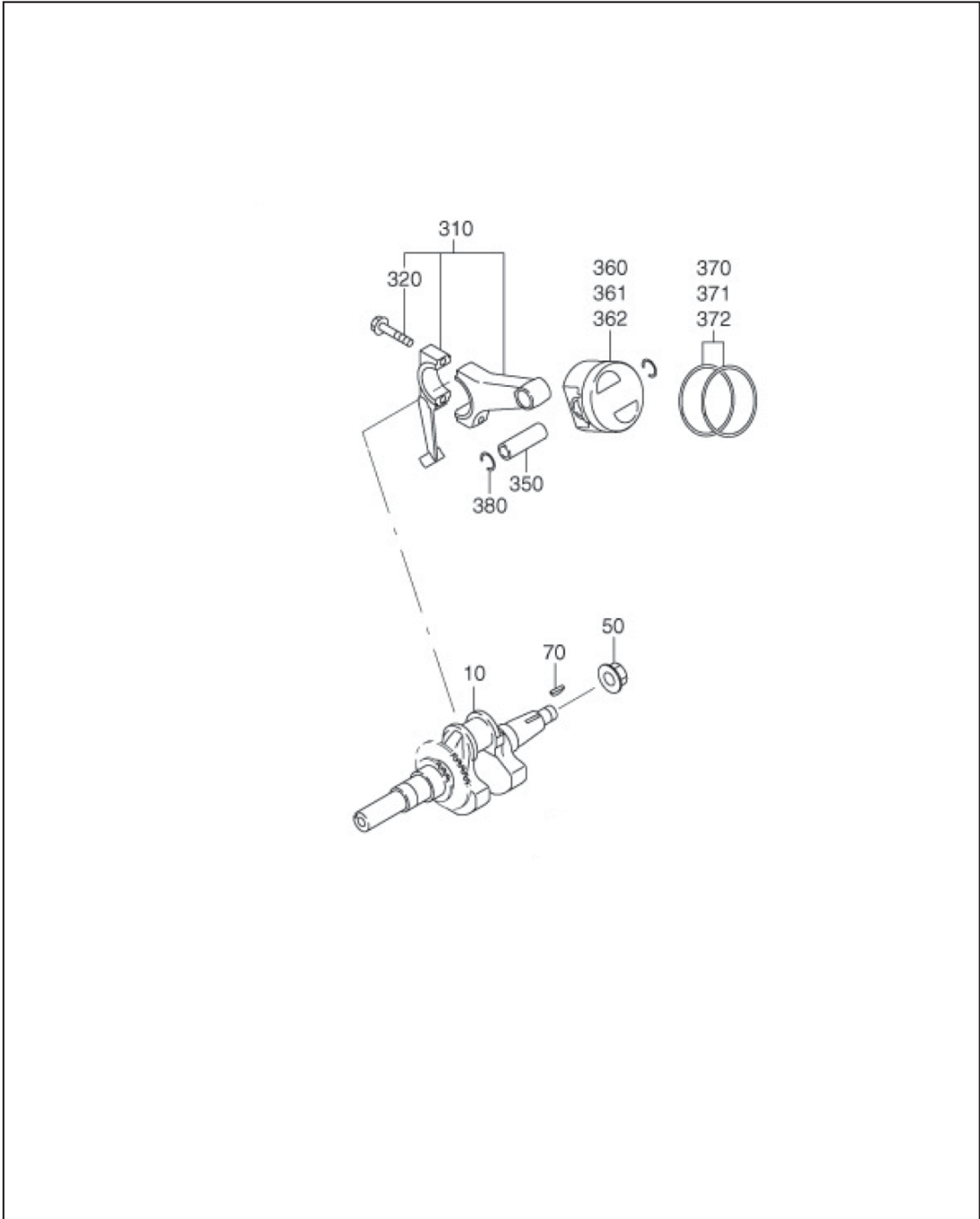


FIG. 2 CRANKSHAFT GROUP

Ref.	Part Number	Description	Qty	Remarks	To-From	Fig.
10	20B-21201-11	CRANK SHAFT CP	1		-	200
50	018-01800-10	FLANGE NUT	1	M18X1.5X31DX14H	-	200
70	005-32054-01	WOODRUFF KEY	1	5BX7.5HX19D	-	200
310	20B-22503-00	CONNECTING ROD AY	1		9100-	200
310	20B-22501-00	CONNECTING ROD AY	1		-9099	200
320	001-05084-00	FLANGE BOLT	2	M8X1.25X16DX40L	-	200
350	263-23301-33	PISTON PIN	1	21DX15DX64.2L	-	200
360	20B-23401-H3	PISTON	1	STD	-	200
361	20B-23403-H3	PISTON	1	0.25 O.S.	-	200
362	20B-23404-H3	PISTON	1	0.50 O.S.	-	200
370	20B-23501-07	PISTON RING SET	1	STD	-	200
371	20B-23502-07	PISTON RING SET	1	0.25 O.S.	-	200
372	20B-23503-07	PISTON RING SET	1	0.50 O.S.	-	200
380	056-52100-20	CLIP	2	22.1DX1.4D	-	200

FIG. 3 INTAKE and EXHAUST GROUP

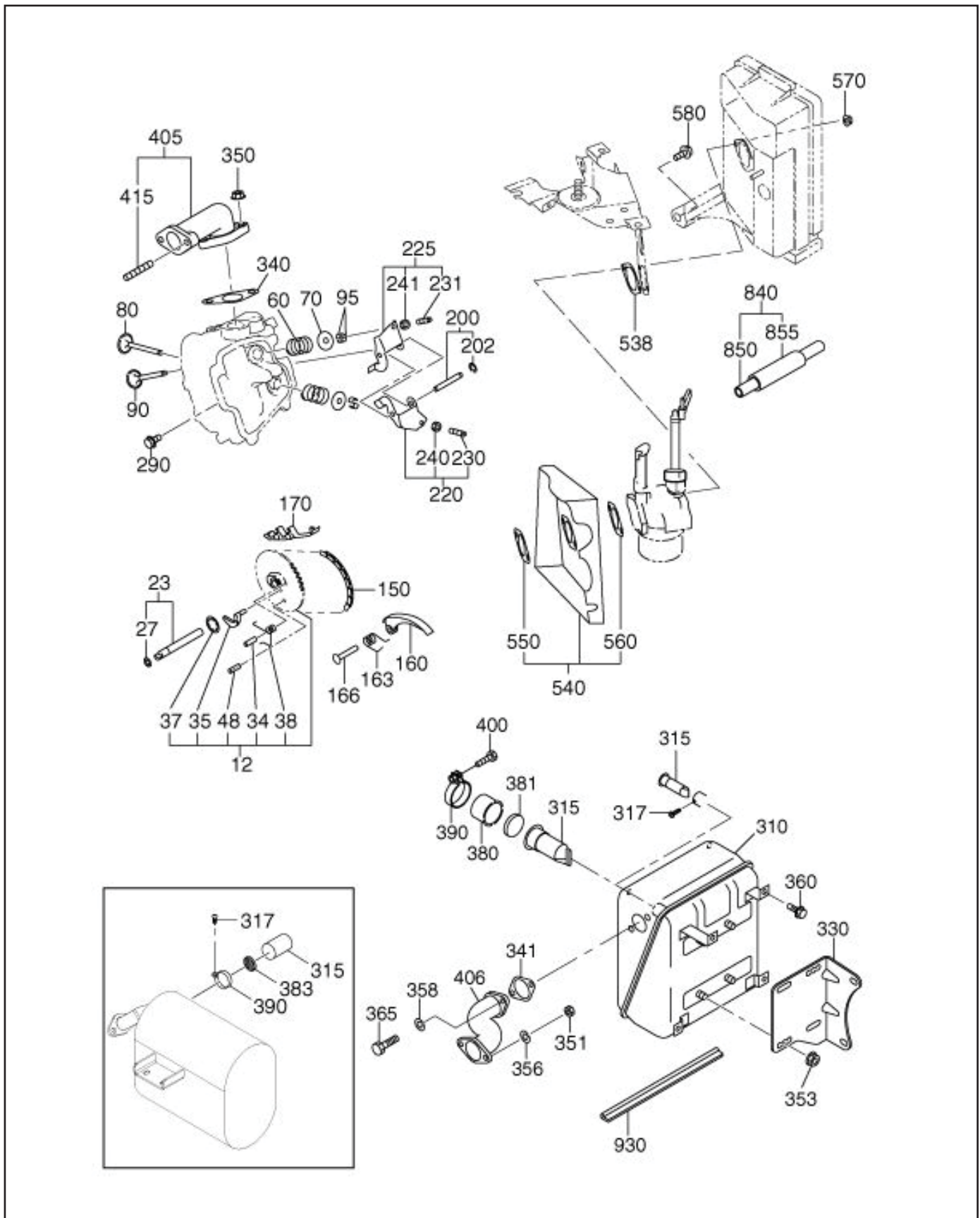


FIG. 3 INTAKE and EXHAUST GROUP

Ref.	Part Number	Description	Qty	Remarks	To-From	Fig.
12	20B-31601-20	CAMSHAFT AY	1		9115-	301
12	20B-31601-10	CAMSHAFT AY	1		-9114	301
23	20B-35101-21	PIN(CAM SHAFT)CP	1		-	301
27	024-00700-21	O-RING	1		-	301
34	005-19041-00	SPRING PIN	1	4.4DX10LX0.8T	-	301
35	277-36401-13	RELEASE LEVER	1		9115-	301
35	277-36401-03	RELEASE LEVER	1		-9114	301
37	20B-36501-03	CLIP	1		-	301
38	277-38702-03	RETURN SPRING	1	5.1DX0.6DX4.4L N=7	-	301
48	031-80500-20	ROLL PIN	1		-	301
60	246-33611-03	VALVE SPRING	2	22.2DX2.9DX37L N=6.5	-	301
70	246-33711-13	SPRING RETAINER	2	7.6DX26DX8T	-	301
80	20B-33401-H3	INTAKE VALVE	1		-	301
90	20B-33501-H3	EXHAUST VALVE	1		-	301
95	246-35501-03	COLLET-VALVE	4		-	301
150	20B-35601-H1	TIMING CHAIN CP	1		-	301
160	277-36911-03	TENTIONER	1		-	301
163	277-37101-03	SPRING(TENTIONER)	1	10DX1.8DX14L N=4.5	-	301
166	277-36902-03	PIN(TENTIONER)	1	6DX13DX34L	-	301
170	277-36913-13	CHAIN GUIDE	1		-	301
200	20B-35001-01	PIN(ROCKER)CP	1		-	301
202	003-13060-00	CLIP	1	6DX12DX0.8T	-	301
220	20B-36101-00	ROCKER ARM(IN) AY	1		-	301
225	20B-36102-10	ROCKER ARM(EX) AY	1		-	301
230	014-90500-20	ADJUST SCREW	1	M5X0.5X23L	-	301
231	014-90500-20	ADJUST SCREW	1	M5X0.5X23L	-	301
240	017-00500-30	NUT	1	M5X0.5X4.1H	-	301
241	017-00500-30	NUT	1	M5X0.5X4.1H	-	301
290	011-00600-10	FLANGE BOLT	1	M6X1.0X14DX8L	-	301
340	20B-35201-13	GASKET(MUFFLER)	1		8966-	301
340	20B-35201-03	GASKET(MUFFLER)	1		-8965	301
341	270-35201-01	GASKET CP (MUFFLER)	1	T=0.4 30D 8.5DX52P	9163-	301
341	277-35201-01	GASKET CP(EXHAUST)	1	T=1.6 28D 8.5DX52P	-9162	301
350	002-38080-00	FLANGE NUT	2	M8X1.25X17DX7.5H	-	301
351	002-38080-00	FLANGE NUT	2	M8X1.25X17DX7.5H	-	301
405	20B-34001-01	EXHAUST PIPE CP	1		-	301
415	010-50802-90	STUD	2	M8X1.25X30L	-	301
538	20B-35903-13	GASKET 3	1		-	301
540	20B-32901-K1	INSULATOR CP	1		9163-	301
540	20B-32901-J1	INSULATOR CP	1		-9162	301
550	20B-35902-H3	GASKET 2	1	T=0.5	-	301
560	20B-35901-H3	GASKET 1	1		-	301
570	002-38060-00	FLANGE NUT	2	M6X1.0X13DX6H	-	301
580	001-04061-60	FLANGE BOLT	1	M6X1.0X13DX16L	-	301
850	X85-11001-70	RUBBER PIPE	1		-	301

FIG. 3 INTAKE and EXHAUST GROUP

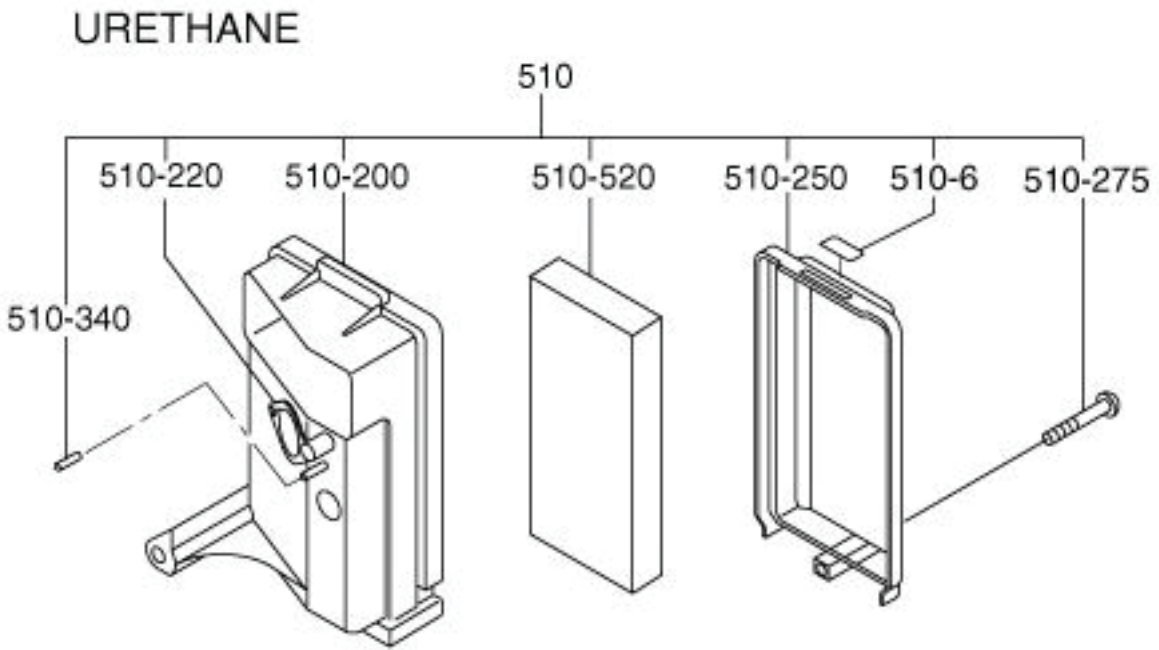


FIG. 4 GOVERNOR GROUP

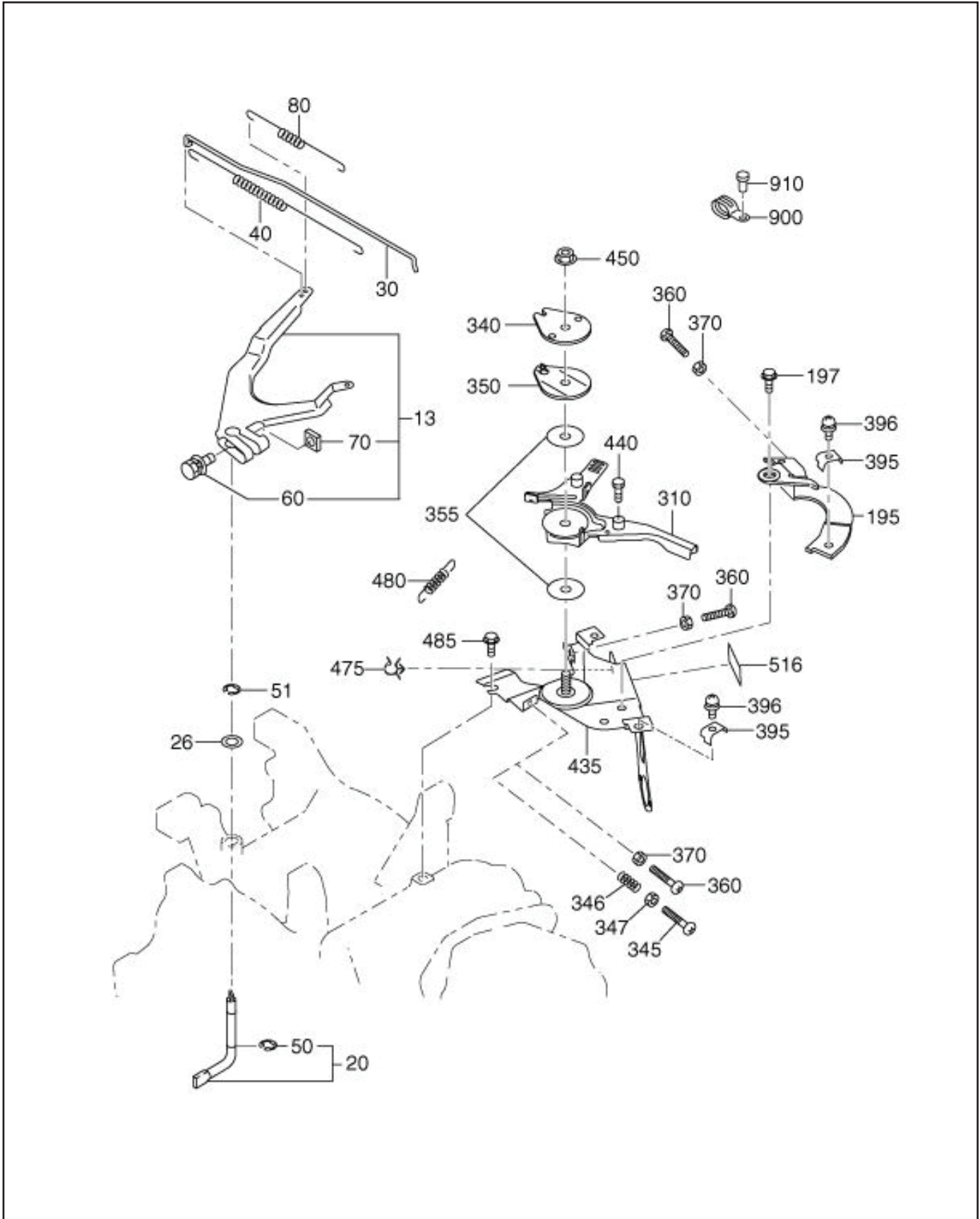


FIG. 5 COOLING and STARTING GROUP

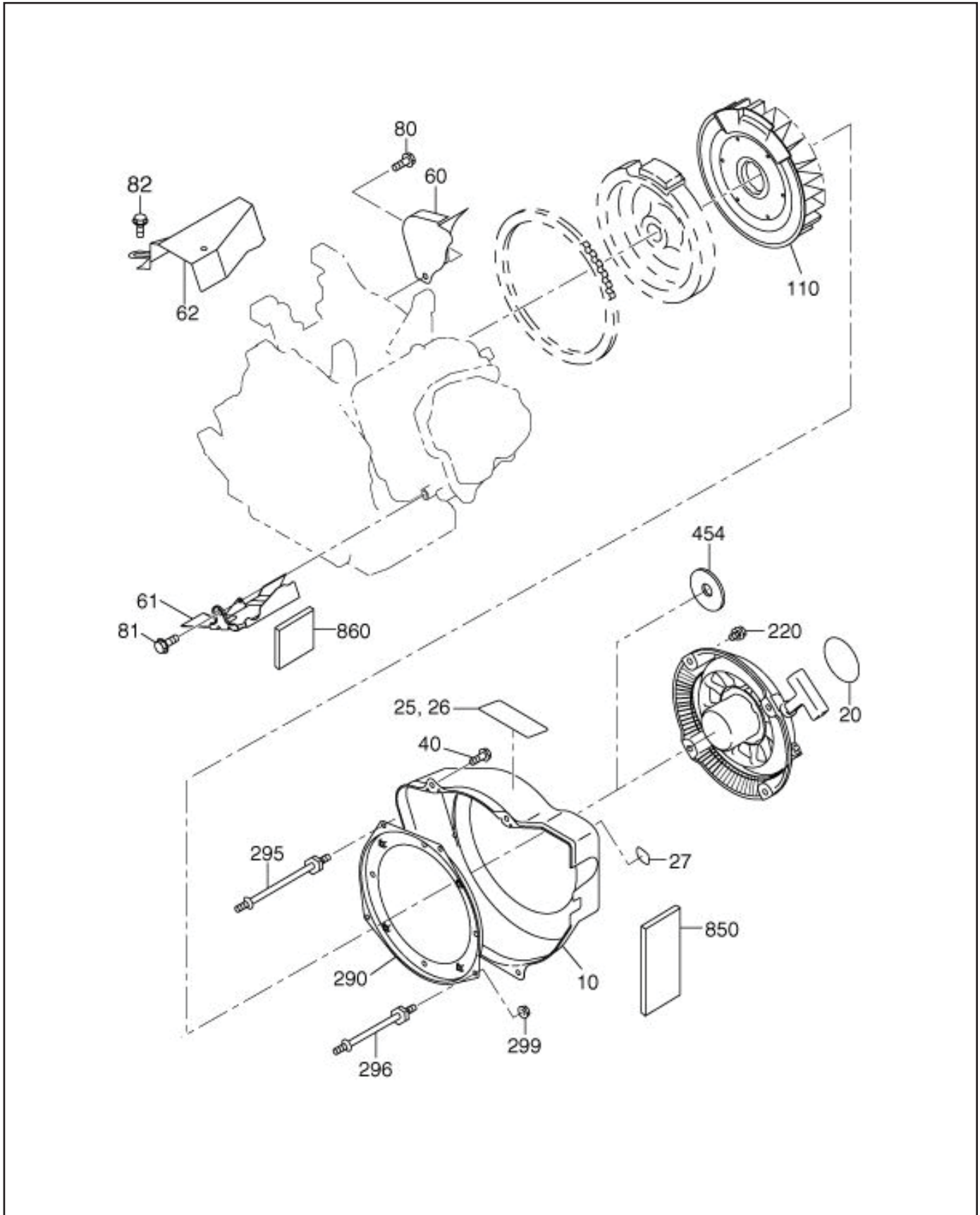


FIG. 5 COOLING and STARTING GROUP

Ref.	Part Number	Description	Qty	Remarks	To-From	Fig.
10	20B-51302-01	BLOWER HOUSING CP	1		-	500
20	073-20058-20	LABEL(TRADE MARK)	1	60D	-	500
25	073-20058-50	LABEL(WARNING)	1		-	500
40	011-00600-20	FLANGE BOLT	4	M6X1.0X14DX12L	-	500
61	20B-52704-13	BAFFLE 2(HEAD)	1		-	500
62	20B-55001-03	DUCT(CASE)	1		-	500
81	011-00600-10	FLANGE BOLT	2	M6X1.0X14DX8L	-	500
82	011-00600-20	FLANGE BOLT	3	M6X1.0X14DX12L	-	500
110	20B-54101-H3	COOLING BLOWER	1		-	500
220	013-00602-81	BOLT AND WASHER AY	4	M6X1.0X14L W/SW	-	500

FIG. 5 COOLING and STARTING GROUP

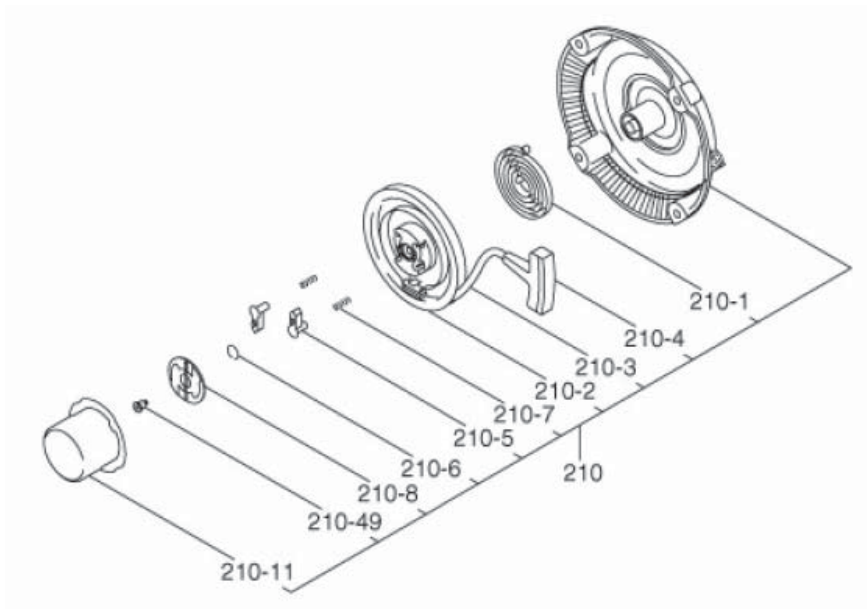


FIG. 6 FUEL LUBRICANT GROUP



FIG. 6 FUEL LUBRICANT GROUP

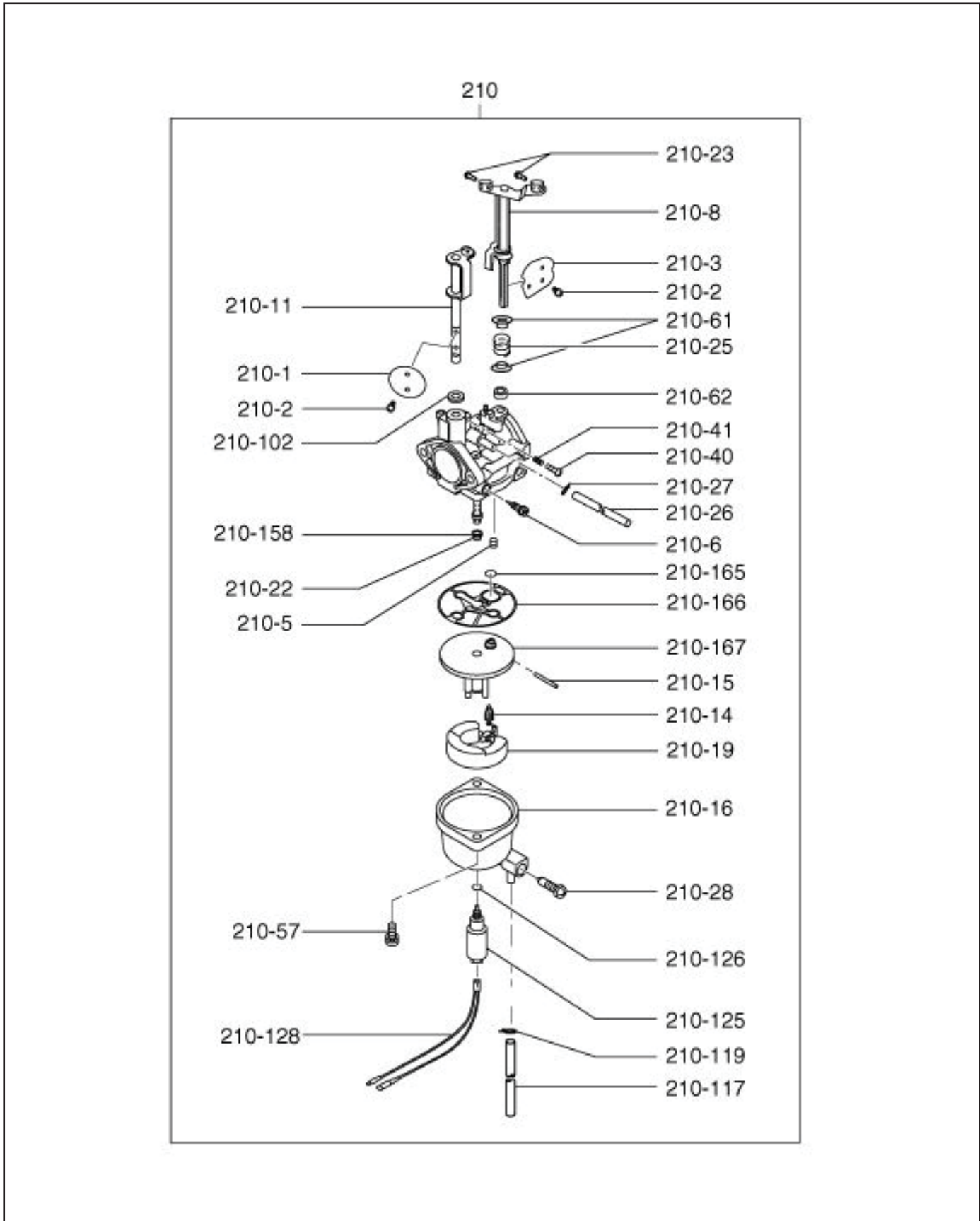


FIG. 6 FUEL LUBRICANT GROUP

Ref.	Part Number	Description	Qty	Remarks	To-From	Fig.
210	20B-62302-20	CARBURETOR AY	1		9042-	640
	20B-62302-10	CARBURETOR AY	1		-9041	640
	20B-62535-08	VALVE,THROTTLE	1		-	640
-2	261-62352-08	SCREW,VALVE SET	2		-	640
-3	20B-62526-08	VALVE,CHOKE	1		-	640
-14	20B-62500-08	VALVE AY FLOAT	1		-	640
-15	263-62515-08	PIN,FLOAT	1		-	640
-16	20B-62550-08	CHAMBER CP,FLOAT	1		-	640
-19	20B-62505-08	FLOAT AY	1		-	640
-28	20B-62354-08	SCREW,DRAIN	1		-	640
-40	20B-62353-08	SCREW,THRO.ADJUST	1		-	640
-41	20B-62445-08	SPRING,THRO.ADJUST	1		-	640
-57	20B-62453-08	SCREW	2		-	640
-62	258-62554-08	FILTER(CHOKE SHAFT)	1		-	640
-102	226-62580-08	FILTER,AIR	1		-	640
-158	20B-62542-08	O RING	1		-	640
-165	20B-62541-08	O RING	1		-	640
-166	20B-62540-08	SPACER	1		-	640
-167	20B-62520-08	SPACER	1		-	640

FIG. 7 ELECTRIC GROUP

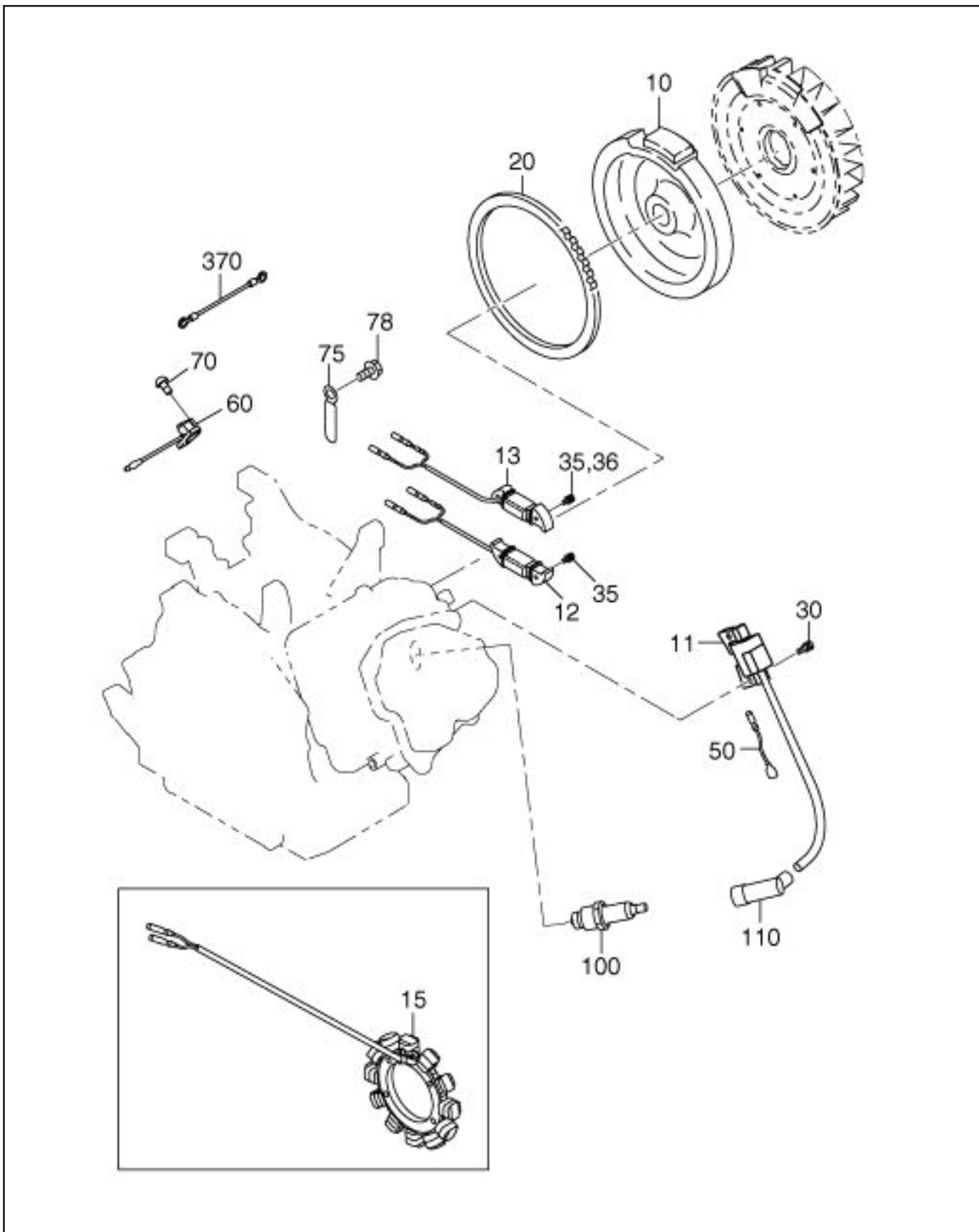


FIG. 7 ELECTRIC GROUP

Ref.	Part Number	Description	Qty	Remarks	To-From	Fig.
10	20B-79241-H1	FLYWHEEL CP	1		-	700
11	20B-79430-H1	IGNITION COIL CP	1		-	700
12	20B-79301-H1	CHARGE COIL CP	1		-	700
20	20B-71002-H3	RING GEAR	1		8968-	700
	20B-71002-03	RING GEAR	1		-8967	700
30	001-14063-00	BOLT AND WASHER AY	2	M6X1.0X30L W/W,SW	-	700
35	004-35062-00	SCREW AND WASHER AY	2	M6X1.0X20L W/SW	-	700
50	20B-73101-01	WIRE 1 CP	1		-	700
75	214-79006-01	CLAMP CP	1	5DXM6X12BX0.4T	-	700
78	011-00600-10	FLANGE BOLT	1	M6X1.0X14DX8L	-	700
100	065-01401-50	SPARK PLUG	1	NGK BR6HS	-	700
110	065-50003-11	SPARK PLUG CAP	1		-	700

FIG. 7 ELECTRIC GROUP

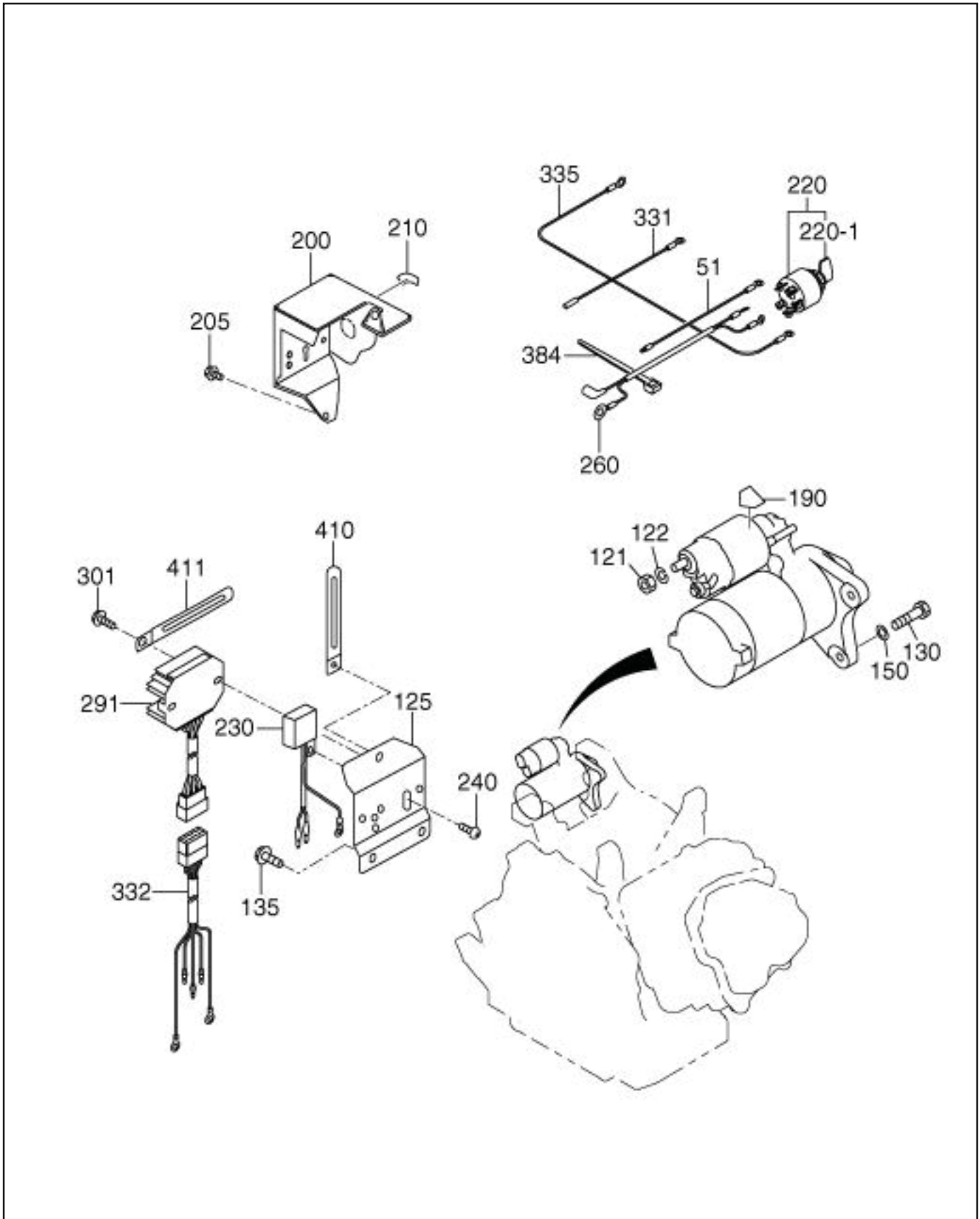


FIG. 7 ELECTRIC GROUP

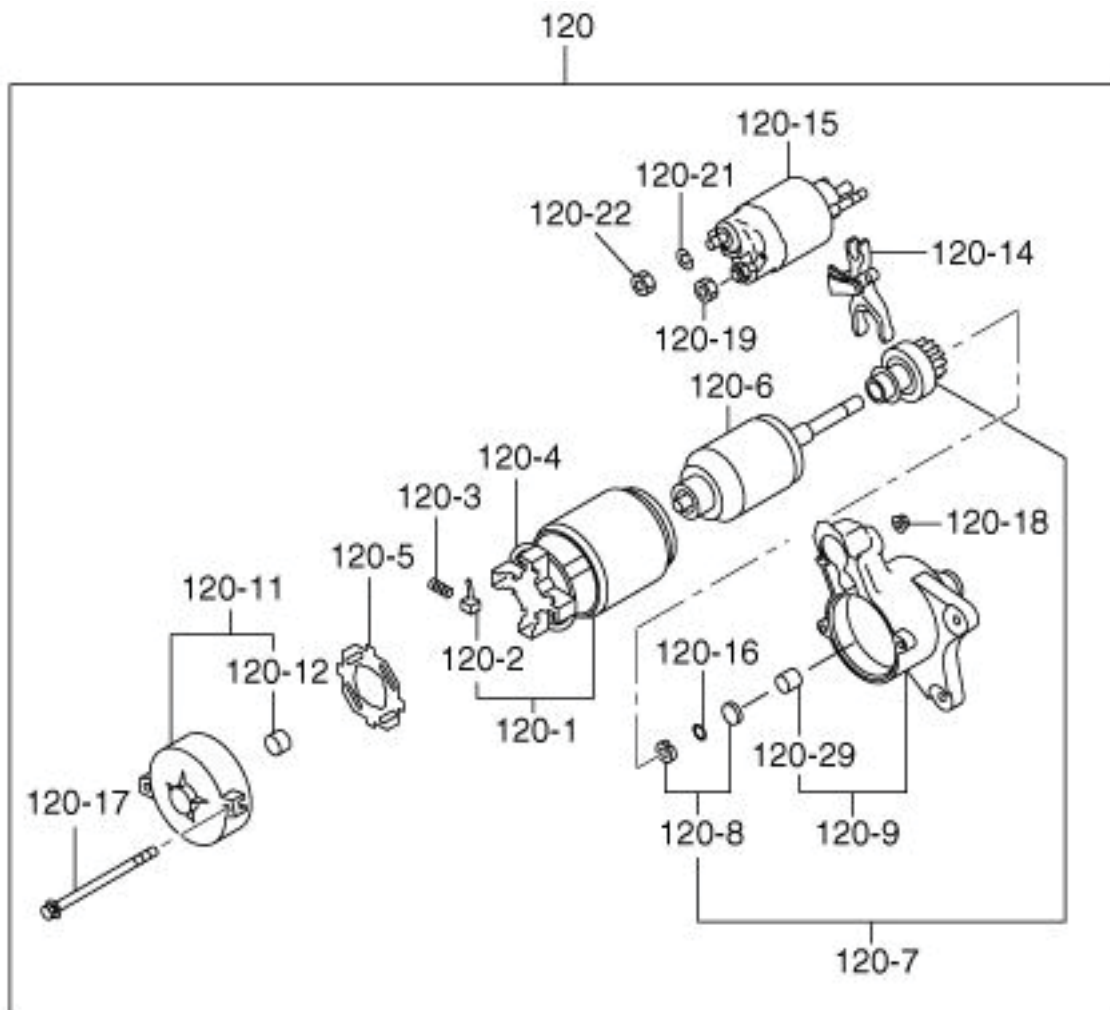


FIG. 7 ELECTRIC GROUP

Ref.	Part Number	Description	Qty	Remarks	To-From	Fig.
120	279-70502-00	STARTING MOTOR AY	1		-	730
-1	209-70550-08	YOKE CP	1		-	730
-2	209-70551-08	BRUSH	4		-	730
-3	209-70545-08	BRUSH SPRING	4		-	730
-4	209-70530-08	BRUSH HOLDER	1		-	730
-5	209-70552-08	INSULATOR	1		-	730
-6	209-70554-08	ARMATURE AY	1		-	730
-7	209-70521-08	OVER RUNNING CLUT CP	1		-	730
-8	234-70555-08	PINION STOPPER	1		-	730
-9	279-70550-08	HOUSING CP	1		-	730
-11	209-70505-18	FRAME CP	1		-	730
-12	209-70510-08	BUSH	1		-	730
-14	209-70525-08	LEVER	1		-	730
-15	279-70515-18	MAGNET SWITCH CP	1		-	730
-16	209-70557-18	SNAP RING	1		-	730
-17	209-70558-08	THROUGH BOLT	2		-	730
-18	949-29970-02	NUT	2		-	730
-19	209-70560-08	NUT	1		-	730
-21	107-70652-08	SPRING WASHER	1		-	730
-22	211-70584-08	NUT	1		-	730
-29	209-70511-08	BUSH	1		-	730

FIG. 7 ELECTRIC GROUP

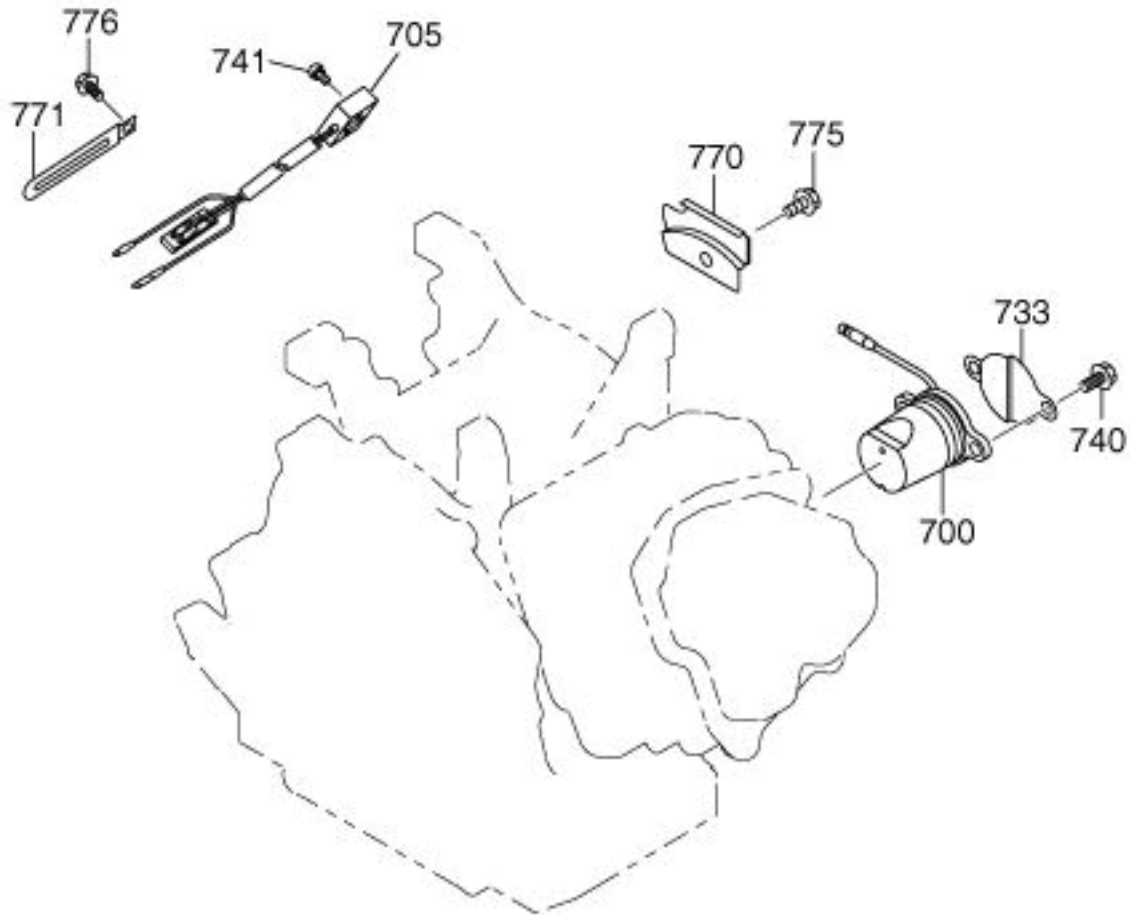


FIG. 22 GROUP

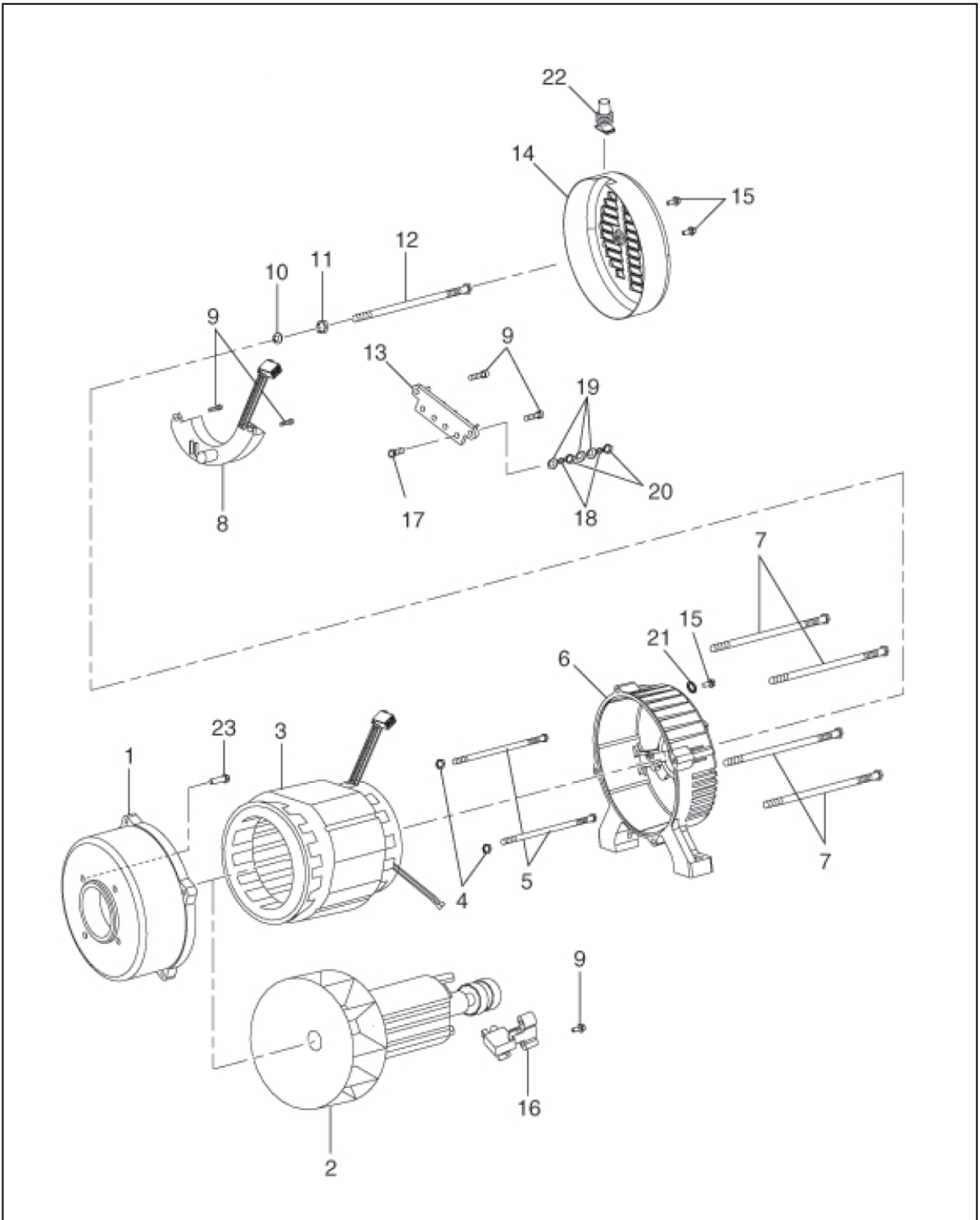


FIG. 23 GROUP

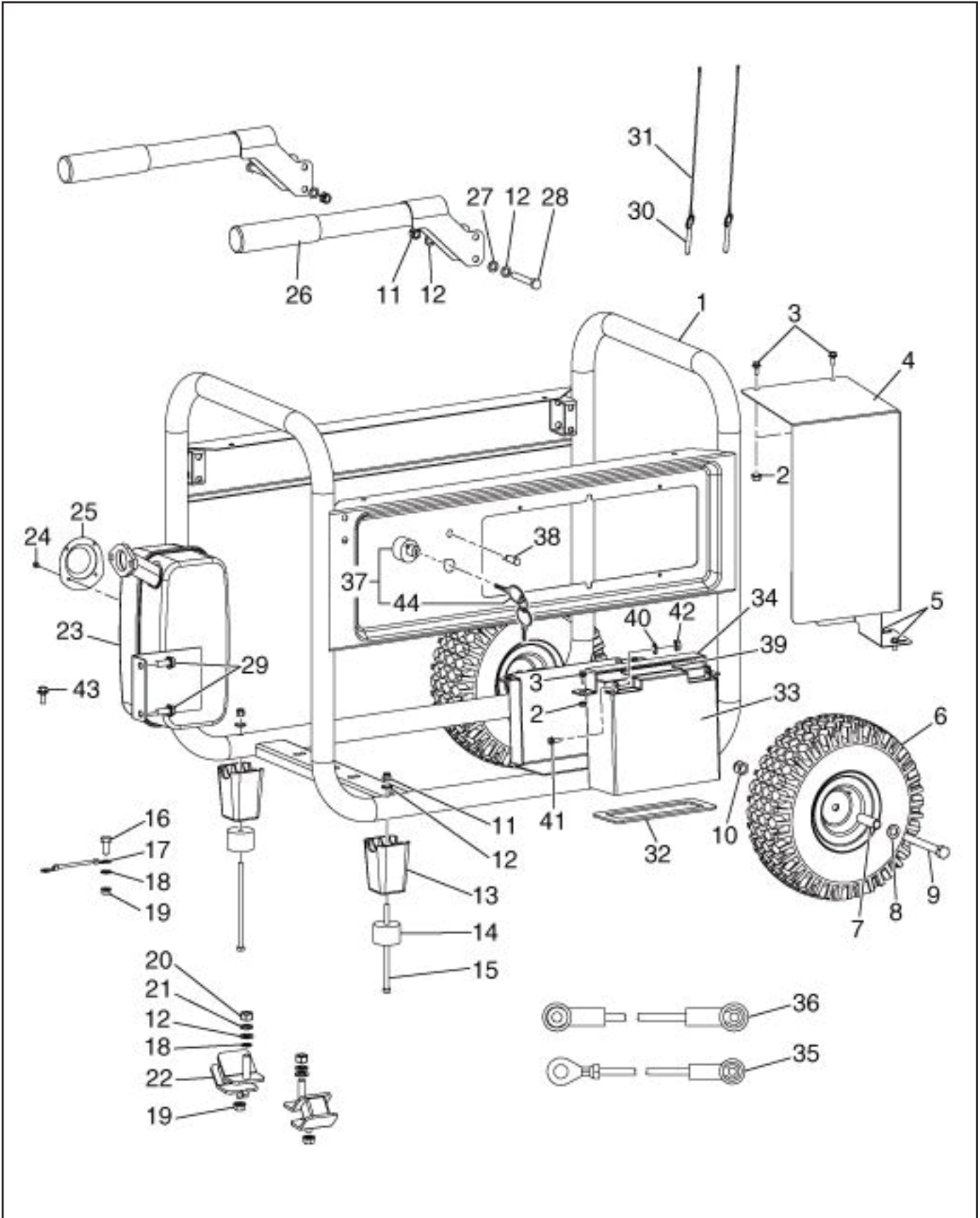


FIG. 23 GROUP

Ref.	Part Number	Description	Qty	Remarks	To-From	Fig.
1	RGR30030001	CARRIER ASSY	1		-	2300
2	RGR325491002	NUT HEX FLANGE	4		-	2300
3	RGRGB166741BF5	BOLT HEX FLANGE	4		-	2300
4	RGR30020014	HEATSHIELD	1		-	2300
5	RGRGB158564SF4	TAPPING SCREW	2		-	2300
6	RGR310223001	WHEEL	2		-	2300
7	RGR638498001	SPACER	2		-	2300
8	RGRGBT971W10	WASHER FLAT	2		-	2300
9	RGR661558002	BOLT HH	2		-	2300
10	RGR678659001	NUT LOCK	2		-	2300
11	RGR678259003	NUT LOCK	4		-	2300
12	RGRGBT971W8	WASHER FLAT	10		-	2300
13	RGR80010012	PLASTIC FOOT	2		-	2300
14	RGR570355001	RUBBER FOOT	2		-	2300
15	RGR0501620115	BOLT HEX	2		-	2300
16	RGR661502005	BOLT HEX	1		-	2300
17	RGR290404001	ASSY WIRE GROUND	1		-	2300
18	RGRGB8622WS8	WASHER STAR	2		-	2300
19	RGR678145002	BOLT HEX	5		-	2300
20	RGR30020015	NUT HEX	4		-	2300
21	RGRGB93WL8	WASHER LOCK	4		-	2300
22	RGR30020007	ISOLATOR GENERATOR	4		-	2300
23	RGR30030011	MUFFLER ASSY	1		-	2300
24	RGR661306001	TAPPING SCREW	4		-	2300
25	RGR30010011	SPARK ARRESTOR	1		-	2300
26	RGR310224002	HANDLE ASSY	2		-	2300
27	RGR80010014	WASHER NYLON	2		-	2300
28	RGR660591004	BOLT HEX	2		-	2300
29	RGR660599002	BOLT HEX FLANGE	2		-	2300
30	RGR310712001	RELEASE PIN	2		-	2300
31	RGR310715001	LANYARD	2		-	2300
32	RGR7001002	GASKET	1		-	2300
33	RGR75040001	BATTERY	1		-	2300
34	RGR678714006	BRACKET	1		-	2300
35	RGR290419001	BATTERY CABLE	1		-	2300
36	RGR290418001	BATTERY CABLE	1		-	2300
37	RGR30030012	SWITCH	1		-	2300
38	227-77002-00	LED LAMP AY	1		-	2300
39	RGR570630002	GASKET	1		-	2300
40	RGRGBT95W5	WASHER FLAT	2		-	2300
41	RGRGBT292B5	BOLT	2		-	2300
42	RGRGBT61771	NUT HEX FLANGE	2		-	2300
43	RGRGB5789BF616	BOLT HEX FLANGE	1		-	2300
44	RGR1036350001	KEY	2		-	2300

FIG. 24 GROUP

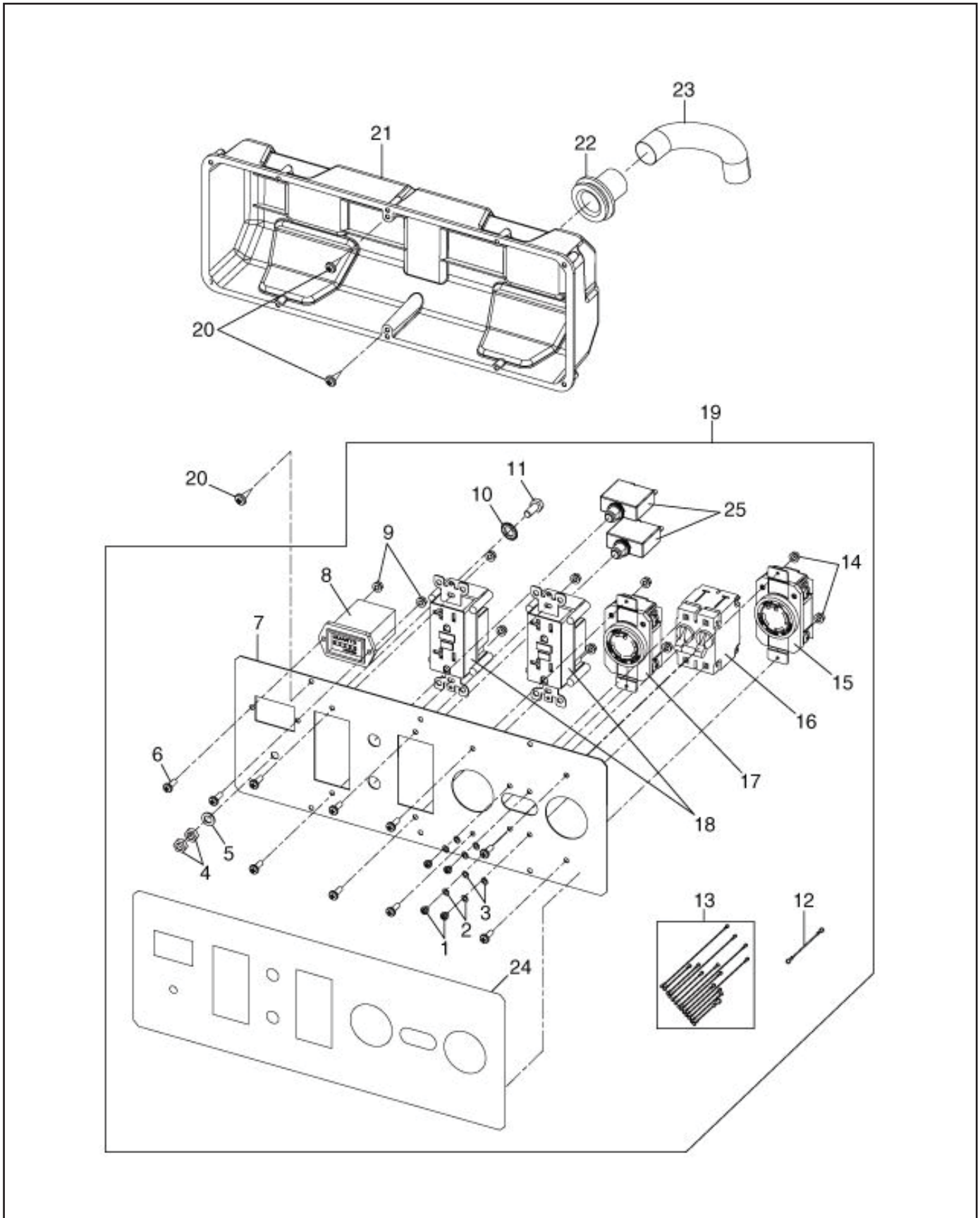


FIG. 26 GROUP

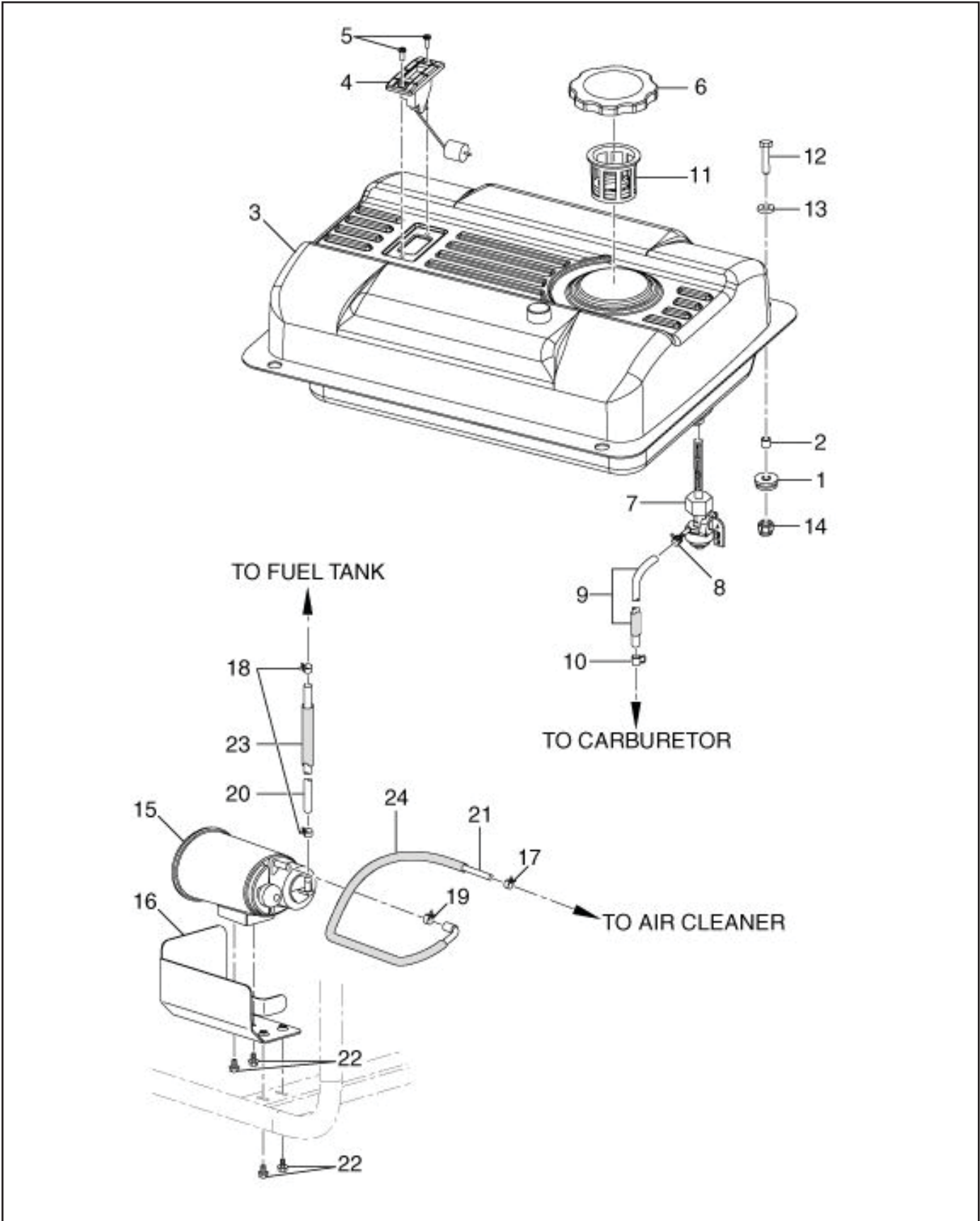
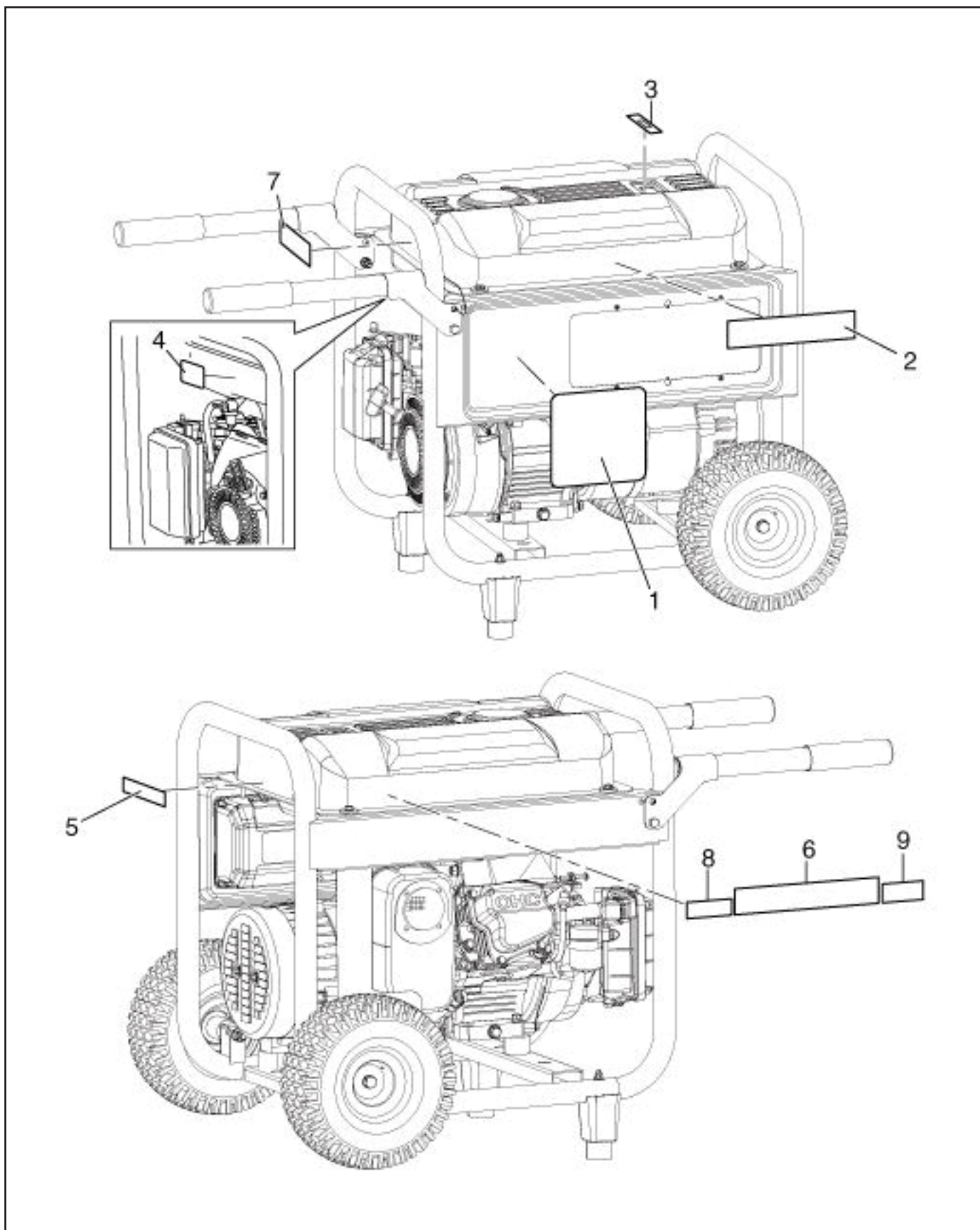


FIG. 29 GROUP



PRINTED IN THE USA

Robin America, Inc

905 Telsler Road • Lake Zurich, IL 60047
Phone: 847-540-7300 • Fax: 847-438-5012
e-mail: sales@subarupower.com • www.subarupower.com

Free Manuals Download Website

<http://myh66.com>

<http://usermanuals.us>

<http://www.somanuals.com>

<http://www.4manuals.cc>

<http://www.manual-lib.com>

<http://www.404manual.com>

<http://www.luxmanual.com>

<http://aubethermostatmanual.com>

Golf course search by state

<http://golfingnear.com>

Email search by domain

<http://emailbydomain.com>

Auto manuals search

<http://auto.somanuals.com>

TV manuals search

<http://tv.somanuals.com>