



Sun™ Dual 10GbE XFP PCI Express Card User's Guide

Sun Microsystems, Inc.
www.sun.com

Part No. 820-0184-13
January 2009, Revision A

Submit comments about this document at: <http://www.sun.com/hwdocs/feedback>

Copyright 2009 Sun Microsystems, Inc., 4150 Network Circle, Santa Clara, California 95054, U.S.A. All rights reserved.

Sun Microsystems, Inc. has intellectual property rights relating to technology embodied in the product that is described in this document. In particular, and without limitation, these intellectual property rights may include one or more of the U.S. patents listed at <http://www.sun.com/patents> and one or more additional patents or pending patent applications in the U.S. and in other countries..

Sun, Sun Microsystems, the Sun logo, SunVTS, and Solaris are trademarks or registered trademarks of Sun Microsystems, Inc. in the U.S. and other countries.

UNIX is a registered trademark in the U.S. and other countries, exclusively licensed through X/Open Company, Ltd.

UNIX®. PCI-Express®. The Adobe. logo and the PostScript logo are trademarks or registered trademarks of Adobe Systems, Incorporated.

Products covered by and information contained in this service manual are controlled by U.S. Export Control laws and may be subject to the export or import laws in other countries. Nuclear, missile, chemical biological weapons or nuclear maritime end uses or end users, whether direct or indirect, are strictly prohibited. Export or reexport to countries subject to U.S. embargo or to entities identified on U.S. export exclusion lists, including, but not limited to, the denied persons and specially designated nationals lists is strictly prohibited.

Use of any spare or replacement CPUs is limited to repair or one-for-one replacement of CPUs in products exported in compliance with U.S. export laws. Use of CPUs as product upgrades unless authorized by the U.S. Government is strictly prohibited.

DOCUMENTATION IS PROVIDED "AS IS" AND ALL EXPRESS OR IMPLIED CONDITIONS, REPRESENTATIONS AND WARRANTIES, INCLUDING ANY IMPLIED WARRANTY OF MERCHANTABILITY, FITNESS FOR A PARTICULAR PURPOSE OR NON-INFRINGEMENT, ARE DISCLAIMED, EXCEPT TO THE EXTENT THAT SUCH DISCLAIMERS ARE HELD TO BE LEGALLY INVALID.

Copyright 2009 Sun Microsystems, Inc., 4150 Network Circle, Santa Clara, Californie 95054, Etats-Unis. Tous droits réservés.

Sun Microsystems, Inc. détient les droits de propriété intellectuels relatifs à la technologie incorporée dans le produit qui est décrit dans ce document. En particulier, et ce sans limitation, ces droits de propriété intellectuelle peuvent inclure un ou plus des brevets américains listés à l'adresse <http://www.sun.com/patents> et un ou les brevets supplémentaires ou les applications de brevet en attente aux Etats - Unis et dans les autres pays.

Sun, Sun Microsystems, le logo Sun, SunVTS, et Solaris sont des marques de fabrique ou des marques déposées de Sun Microsystems, Inc. aux Etats-Unis et dans d'autres pays.

Toutes les marques SPARC sont utilisées sous licence et sont des marques de fabrique ou des marques déposées de SPARC International, Inc. aux Etats-Unis et dans d'autres pays. Les produits portant les marques SPARC sont basés sur une architecture développée par Sun Microsystems, Inc.

UNIX est une marque déposée aux Etats-Unis et dans d'autres pays et licenciée exclusivement par X/Open Company, Ltd.

UNIX®. PCI-Express®. Le logo Adobe. et le logo PostScript sont des marques de fabrique ou des marques déposées de Adobe Systems, Incorporated.

Ce produit est soumis à la législation américaine en matière de contrôle des exportations et peut être soumis à la réglementation en vigueur dans d'autres pays dans le domaine des exportations et importations. Les utilisations, ou utilisateurs finaux, pour des armes nucléaires, des missiles, des armes biologiques et chimiques ou du nucléaire maritime, directement ou indirectement, sont strictement interdites. Les exportations ou reexportations vers les pays sous embargo américain, ou vers des entités figurant sur les listes d'exclusion d'exportation américaines, y compris, mais de manière non exhaustive, la liste de personnes qui font objet d'un ordre de ne pas participer, d'une façon directe ou indirecte, aux exportations des produits ou des services qui sont régis par la législation américaine en matière de contrôle des exportations et la liste de ressortissants spécifiquement désignés, sont rigoureusement interdites. L'utilisation de pièces détachées ou d'unités centrales de remplacement est limitée aux réparations ou à l'échange standard d'unités centrales pour les produits exportés, conformément à la législation américaine en matière d'exportation. Sauf autorisation par les autorités des Etats-Unis, l'utilisation d'unités centrales pour procéder à des mises à jour de produits est rigoureusement interdite.

LA DOCUMENTATION EST FOURNIE "EN L'ETAT" ET TOUTES AUTRES CONDITIONS, DECLARATIONS ET GARANTIES EXPRESSES OU TACITES SONT FORMELLEMENT EXCLUES, DANS LA MESURE AUTORISEE PAR LA LOI APPLICABLE, Y COMPRIS NOTAMMENT TOUTE GARANTIE IMPLICITE RELATIVE A LA QUALITE MARCHANDE, A L'APTITUDE A UNE UTILISATION PARTICULIERE OU A L'ABSENCE DE CONTREFAÇON.



Contents

Preface xiii

1. Product Overview 1

Components 1

Product Description 1

Hardware and Software Requirements 2

Features 3

2. Installing and Setting Up the Driver 5

Downloading and Installing the Driver on a Solaris SPARC or x86 Platform 5

▼ To Download the Driver on a Solaris Platform 5

▼ To Remove the Driver from a Solaris Platform 8

Downloading and Installing the Driver on a Linux Platform 9

▼ To Remove the Driver From a Linux Platform 10

3. Installing the Adapter 11

Installing the Adapter 11

▼ To Install the Adapter 12

Installing an Optical Transceiver 15

▼ To Install an Optical Transceiver 16

Verifying the Hardware Installation 18

- ▼ To Verify the Hardware Installation 18
- Rebooting the System 20

- 4. Network Configuration 21**
 - Configuring the Network Host Files 21
 - Setting Up a 10-Gigabit Ethernet Network on a Diskless Client System 23
 - ▼ To Set Up a 10-Gigabit Ethernet Port on a Diskless Client 24
 - Installing the Solaris Operating System Over a 10-Gigabit Ethernet Network 25
 - ▼ To Install the Solaris Operating System Over a 10-Gigabit Ethernet Network 25
 - Booting Over the 10-Gigabit Ethernet Network for Solaris x86 and Linux Systems 29
 - ▼ To Boot Over the Network on Solaris x86 and Linux Systems 29

- 5. Configuring the `nxge` Device Driver Parameters 33**
 - `nxge` Hardware and Software Overview 33
 - Setting `nxge` Driver Parameters on a Solaris Platform 34
 - Setting Parameters Using the `ndd` Utility 34
 - Noninteractive and Interactive Modes 34
 - ▼ To Specify Device Instances for the `ndd` Utility 35
 - ▼ To Specify Parameter Values Using the `ndd` Utility 35
 - ▼ To Use the `ndd` Utility in Interactive Mode 35
 - Setting Parameters Using the `nxge.conf` File 36
 - ▼ To Set Driver Parameters Using an `nxge.conf` File 37
 - Tuning for Maximum Performance on a Solaris Platform 41
 - ▼ To Improve Performance on an UltraSPARC CPU Based Sun Platform 41
 - ▼ To Improve Performance on an AMD CPU Based Sun Platform 42
 - ▼ To Obtain Higher Throughput Using the Generic Tunables for the Solaris TCP/IP Stack 43
 - Setting Parameters on a Linux Platform 44

- ▼ To Set Parameters Using the `ethtool` Utility 44
- ▼ To Set Parameters Using the Bundled `configtool` Utility 48
- Tuning for Maximum Performance on a Linux Platform 49
- 6. Configuring the Jumbo Frames Feature 51**
 - Jumbo Frames Overview 51
 - Checking Jumbo Frames Configurations 51
 - ▼ To Show the Driver Statistics in a Solaris Environment 52
 - Enabling Jumbo Frames in a Solaris Environment 53
 - ▼ To Enable Jumbo Frames in a Solaris Environment Using `nxge.conf` 54
 - ▼ To Check Layer 2 Configuration 54
 - ▼ To Check Layer 3 Configuration 55
 - Enabling Jumbo Frames in a Linux Environment 55
 - ▼ To Enable Jumbo Frames in a Linux Environment 55
 - ▼ To Show the Driver Statistics in a Linux Environment 56
- 7. Configuring Link Aggregation 59**
 - Overview of Link Aggregation 59
 - Configuring Link Aggregation in a Solaris Environment 59
 - ▼ To Configure Link Aggregation in a Solaris Environment 60
 - Configuring Link Aggregation in a Linux Environment 62
 - ▼ To Configure Bonding for Multiple `nxge` Interfaces 62
- 8. Configuring VLANs 65**
 - Overview of VLANs 65
 - Configuring VLANs in a Solaris Environment 67
 - ▼ To Configure Static VLANs 69
 - Configuring VLANs in a Linux Environment 70
 - ▼ To Configure VLANs in a Linux Environment 70

A. Specifications	71
Connectors	71
Performance Specifications	72
Physical Characteristics	73
Power Requirements	73
B. Diagnostic Software	75
SunVTS Diagnostic Software	75
Updating SunVTS to Recognize the Adapter	76
▼ To Update SunVTS to Recognize the Adapter	76
Using the SunVTS netlbttest	77
▼ To Use the netlbttest	77
Index	79

Tables

TABLE 1-1	Hardware and Software Requirements for Sun SPARC and X64 Servers	2
TABLE A-1	XFP Connector Characteristics	72
TABLE A-2	Performance Specifications	72
TABLE A-3	Physical Characteristics	73
TABLE A-4	Low-Profile Power Requirements	73
TABLE B-1	SunVTS Documentation	76

Figures

- [FIGURE 1-1](#) Sun x8 Express Dual 10 Gigabit Ethernet Fiber XFP Low Profile Adapter 2
- [FIGURE 8-1](#) Example of Servers Supporting Multiple VLANs With Tagging Adapters 68
- [FIGURE 8-2](#) Ethernet Tag Header Format 70
- [FIGURE A-1](#) Sun x8 Express Dual 10 Gigabit Ethernet XFP Low Profile Adapter Connectors 73

Declaration of Conformity

Compliance Model Number: ATLS2XGF
Product Family Name: Sun x8 Express Dual 10 Gigabit Ethernet Fiber XFP Low Profile Adapter

EMC

USA—FCC Class A

This equipment complies with Part 15 of the FCC Rules. Operation is subject to the following two conditions:

1. This equipment may not cause harmful interference.
2. This equipment must accept any interference that may cause undesired operation.

European Union

This equipment complies with the following requirements of the EMC Directive 89/336/EEC:

As Information Technology Equipment (ITE) Class A per (as applicable):

EN 55022:1994 +A1:1995 +A2:1997	Class A
EN 61000-3-2:2000	Pass
EN 61000-3-3:1995 +A1:2000	Pass
EN 55024:1998 +A1:2001 +A2:2003	Required Limits:
IEC 61000-4-2	4 kV (Direct), 8kV (Air)
IEC 61000-4-3	3 V/m
IEC 61000-4-4	1 kV AC Power Lines, 0.5 kV Signal and DC Power Lines
IEC 61000-4-5	1 kV AC Line-Line and Outdoor Signal Lines, 2 kV AC Line-Gnd, 0.5 kV DC Power Lines
IEC 61000-4-6	3 V
IEC 61000-4-8	1 A/m
IEC 61000-4-11	Pass

Safety

This equipment complies with the following requirements of the Low Voltage Directive 73/23/EEC:

EC Type Examination Certificates:

EN 60950-1:2001, 1st Edition

IEC 60950-1:2001, 1st Edition

CB Scheme Certificate No.

Evaluated to all CB Countries

UL and cUL/CSA 60950-1:2001, CSA C22.2 No. 60950-00 File:E138989-A82 Vol. 54

FDA DHHS Accession Number (Monitors Only)

Supplementary Information

This equipment was tested and complies with all the requirements for the CE Mark.

This equipment complies with the Restriction of Hazardous Substances (RoHS) directive 2002/95/EC.

/S/

Dennis P. Symanski
Worldwide Compliance Engineering
Sun Microsystems, Inc.
4150 Network Circle, MPK15-102
Santa Clara, CA 95054 U.S.A.
Tel: 650-786-3255
Fax: 650-786-3723

DATE

/S/

Donald Cameron
Program Manager/Customer Quality
Sun Microsystems Scotland, Limited
Blackness Road, Phase I, Main Bldg.
Springfield, EH49 7LR
Scotland, United Kingdom
Tel: +44 1 506 672 539 Fax: +44 1 506 670 011

DATE

Preface

This guide provides instructions for installing both the hardware and software for the Sun Dual 10GbE XFP PCI Express card. This manual also describes how to configure the `nxge` driver, which controls the card.

These instructions are designed for enterprise system administrators with experience installing network hardware and software.

Note – In this document the term `x86` refers to 64-bit and 32-bit systems manufactured using processors compatible with the AMD64 or Intel Xeon/Pentium product families. For supported systems, see the *Solaris Hardware Compatibility Guide*.

How This Document Is Organized

[Chapter 1](#) provides an overview of the Sun x8 Express Dual 10 Gigabit Ethernet Fiber XFP Low Profile Adapter.

[Chapter 2](#) explains how to install the `nxge` device driver software in a Solaris SPARC, Solaris x86, or Linux environment.

[Chapter 3](#) describes how to install the Sun x8 Express Dual 10 Gigabit Ethernet Fiber XFP Low Profile Adapter in your system and verify that it has been installed correctly.

[Chapter 4](#) describes how to edit the network host files after the adapter has been installed on your system.

[Chapter 5](#) explains how to set the `nxge` device driver parameters to customize each device in your system.

[Chapter 6](#) describes how to configure the Jumbo Frame feature.

[Chapter 7](#) describes how to configure link aggregation.

[Chapter 8](#) explains Virtual Local Area Networks (VLANs) in detail and provides configuration instructions and examples.

[Appendix A](#) lists the specifications for the Sun x8 Express Dual 10 Gigabit Ethernet Fiber XFP Low Profile Adapter.

[Appendix B](#) provides an overview of the SunVTS™ diagnostic application and instructions for updating the SunVTS software to recognize the adapter.

Using UNIX Commands

This document might not contain information about basic UNIX® commands and procedures such as shutting down the system, booting the system, and configuring devices. Refer to the following for this information:

- Software documentation that you received with your system
- Solaris™ Operating System documentation, which is at:

<http://docs.sun.com>

Shell Prompts

Shell	Prompt
C shell	<i>machine-name%</i>
C shell superuser	<i>machine-name#</i>
Bourne shell and Korn shell	\$
Bourne shell and Korn shell superuser	#

Typographic Conventions

Typeface*	Meaning	Examples
AaBbCc123	The names of commands, files, and directories; on-screen computer output	Edit your <code>.login</code> file. Use <code>ls -a</code> to list all files. <code>% You have mail.</code>
AaBbCc123	What you type, when contrasted with on-screen computer output	<code>% su</code> <code>Password:</code>
<i>AaBbCc123</i>	Book titles, new words or terms, words to be emphasized. Replace command-line variables with real names or values.	Read Chapter 6 in the <i>User's Guide</i> . These are called <i>class</i> options. You <i>must</i> be superuser to do this. To delete a file, type <code>rm filename</code> .

* The settings on your browser might differ from these settings.

Related Documentation

The documents listed as online are available at:

<http://www.sun.com/documentation/>

Application	Title	Part Number	Format	Location
Release Notes	<i>Sun x8 Express Dual 10 Gigabit Ethernet XFP Low Profile Adapter Release Notes</i>	820-0185	PDF HTML	Online
Safety and compliance	<i>Safety and Compliance Manual</i>	816-7190	PDF HTML	Online

Documentation, Support, and Training

Sun Function	URL
Documentation	http://www.sun.com/documentation/
Support	http://www.sun.com/support/
Training	http://www.sun.com/training/

Third-Party Web Sites

Sun is not responsible for the availability of third-party web sites mentioned in this document. Sun does not endorse and is not responsible or liable for any content, advertising, products, or other materials that are available on or through such sites or resources. Sun will not be responsible or liable for any actual or alleged damage or loss caused by or in connection with the use of or reliance on any such content, goods, or services that are available on or through such sites or resources.

Sun Welcomes Your Comments

Sun is interested in improving its documentation and welcomes your comments and suggestions. You can submit your comments by going to:

<http://www.sun.com/hwdocs/feedback>

Please include the title and part number of your document with your feedback:

Sun Dual 10GbE XFP PCI Express Card User's Guide, part number 820-0184-13

Product Overview

This chapter provides an overview of the Sun x8 Express Dual 10 Gigabit Ethernet Fiber XFP Low Profile Adapter, including:

- “Components” on page 1
- “Product Description” on page 1
- “Hardware and Software Requirements” on page 2
- “Features” on page 3

Components

The carton in which your Sun x8 Express Dual 10 Gigabit Ethernet Fiber XFP Low Profile Adapter was shipped should contain the following items:

- Sun x8 Express Dual 10 Gigabit Ethernet Fiber XFP Low Profile Adapter with a low profile bracket attached.
- Standard height bracket
- *Sun x8 Express Dual 10 Gigabit Ethernet Fiber XFP Low Profile Adapter Getting Started Guide.*

Product Description

The Sun x8 Express Dual 10 Gigabit Ethernet Fiber XFP Low Profile Adapter is a low profile x8 lane PCI-Express 10 gigabit Ethernet card utilizing the Sun ASIC with XFP-based 10-gigabit Ethernet optics. The Sun x8 Express Dual 10 Gigabit Ethernet Fiber XFP Low Profile Adapter requires an optical transceiver.

FIGURE 1-1 shows the adapter.

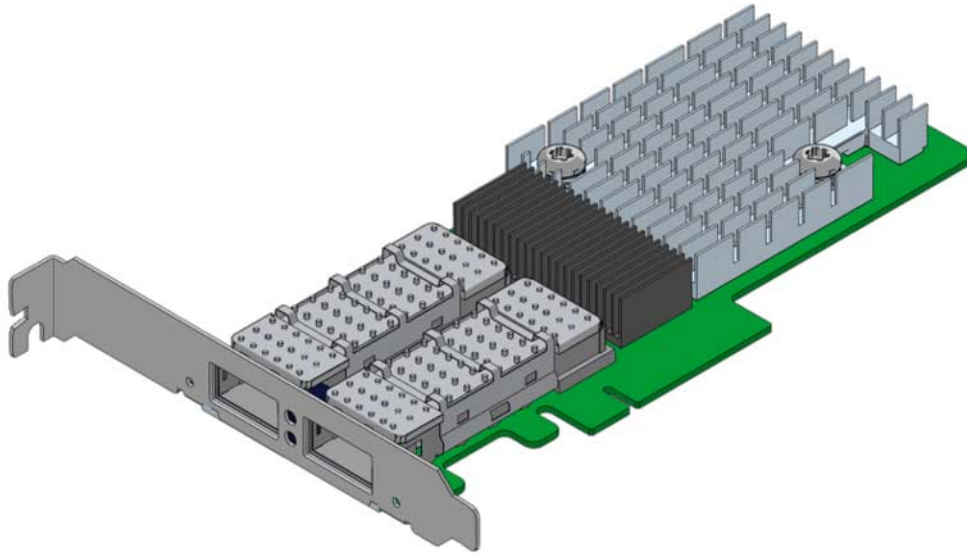


FIGURE 1-1 Sun x8 Express Dual 10 Gigabit Ethernet Fiber XFP Low Profile Adapter

Hardware and Software Requirements

Before installing the adapter, make sure your system meets the hardware and software requirements. [TABLE 1-1](#) lists the supported hardware and software.

TABLE 1-1 Hardware and Software Requirements for Sun SPARC and X64 Servers

Requirements	Hardware or Software
Hardware	Sun Fire™ T1000, Sun Fire T2000, Sun Fire V445, Sun Fire V245, Sun Fire V215, Sun Fire U45, Sun Fire X4600, Sun Fire X4200, Sun Fire X4100, Sun Fire X2100
Operating System	Solaris 10 01/07 Operating System SuSE Linux Enterprise Server 10, RedHat Enterprise Linux 4.0_u4, RedHat Enterprise Linux 4.0_u3
Optical transceivers	X5558A SR (Short Reach) XFP Transceiver for the base board X5560A-z LR (Long Reach) XFP Transceiver for the base board

Features

The Sun x8 Express Dual 10 Gigabit Ethernet Fiber XFP Low Profile Adapter provides the following features:

- Two full-duplex 10 gigabit Ethernet interface that use a 10 gigabit Ethernet small form factor pluggable (XFP), optical transceiver with duplex LC fiber connector
- IEEE 802.3ae 2002 compliant
- Uses Sun's own ASIC and software for innovative throughput networking design
- Networking I/O virtualization supporting Solaris LDOM 1.0. (VMware support planned for mid 07)
- Hardware-based flow classification for extending parallelism and virtualization to networking
- Up to 16 Receive DMA channels and up to 24 Transmit DMA channels, multiple receive and transmit Descriptor Rings and dedicated networking hardware resources (DMA, interrupts, buffer, and more) for each thread or strand
- CPU/thread affinity and CPU load balancing at L1,L2,L3 and L4
- Dynamic Reconfiguration (DR)
- Jumbo frame support (up to 9KBytes)
- IPv4/IPv6 and IPMP support
- TCP/UDP/IP checksum and CRC32C support
- IEEE 802.1Q VLAN support

Installing and Setting Up the Driver

This chapter explains how to download and install the `nxge` driver. The `nxge` gigabit Ethernet driver (`nxge(7D)`) is a multi-threaded, loadable, clonable, GLD-based STREAMS driver. The `nxge` driver is managed by the `dladm(1M)` command line utility, which allows VLANs to be defined on top of `nxge` instances and for `nxge` instances to be aggregated. See the `dladm(1M)` man page for more details on configuring the data-link interfaces and link aggregations.

This chapter contains the following sections:

- “[Downloading and Installing the Driver on a Solaris SPARC or x86 Platform](#)” on page 5
- “[Downloading and Installing the Driver on a Linux Platform](#)” on page 9

Downloading and Installing the Driver on a Solaris SPARC or x86 Platform

If your system uses the Solaris SPARC or x86 operating system you will need to download and install the `nxge` device driver for Solaris platforms.

▼ To Download the Driver on a Solaris Platform

1. **Locate and download the `nxge` device driver software at the following web site:**
<http://www.sun.com/products/networking/ethernet/index.html>

2. Uncompress the gzipped tar file:

```
# gunzip nxge.tar.gz
```

3. Unpack the tar file:

```
# tar xvf nxge.tar
```

a. For SPARC systems, change to the following directory:

```
# cd 10_GigabitEthernet/Solaris_10/sparc/Packages
```

b. For x86 systems:

```
# cd 10_GigabitEthernet/Solaris_10/i386/Packages
```

4. For SPARC systems, determine which architecture your system is running:

```
# uname -m
```

a. For sun4v systems, install the software packages by typing the following at the command line:

```
# /usr/sbin/pkgadd -d SUNWnxge.v SUNWnxgem
```

b. For sun4u systems, install the software packages by typing the following at the command line:

```
# /usr/sbin/pkgadd -d SUNWnxge.u SUNWnxgem
```


5. For x86 systems, install the software packages by typing the following at the command line:

```
# /usr/sbin/pkgadd -d
```

A menu similar to the following displays:

```
The following packages are available:

1 SUNWnxge Sun PCI-E 10G/1G Ethernet Adapter Driver (i386)
1.0,REV=2006.12.05.10.0

Select package(s) you wish to process (or 'all' to process
all packages). (default: all) [?,??,q]:
```

6. Select the packages you want to install:

- Press Return or type **a11** to accept the default and install all packages.
- Type the specific numbers, separated by a space, if you prefer not to install any optional packages.

7. Verify that the `nxge` driver is installed on the system:

```
Sun PCI-E 10G/1G Ethernet Adapter Driver(i386)
1.0,REV=2006.12.05.10.0 Copyright 2006 Sun Microsystems,
Inc. All rights reserved. Use is subject to license terms.
## Executing checkinstall script. Using as the package base directory.
## Processing package information.
## Processing system information.
4 package pathnames are already properly installed.
## Verifying package dependencies.
## Verifying disk space requirements.
## Checking for conflicts with packages already installed.
## Checking for setuid/setgid programs. This package contains
scripts which will be executed with super-user permission
during the process of installing this package.

Do you want to continue with the installation of [y,n,?] y

Installing Sun PCI-E 10G/1G Ethernet Adapter Driver as

## Installing part 1 of 1.

/kernel/drv/amd64/nxge [ verifying class ]

# Executing postinstall script.
# Installation of was successful.
```

▼ To Remove the Driver from a Solaris Platform

1. To discover the driver packages run the `pkginfo` command:

```
# pkginfo | grep SUNWnxge
SUNWnxge Sun PCI-E 10G/1G Ethernet Adapter Driver
```

2. To remove the driver packages run the `pkgrm` command:

```
# pkgrm SUNWnxge plus any other packages from the previous command
```

Downloading and Installing the Driver on a Linux Platform

1. Login to your system.

2. Download the driver RPM for your operating system:

<http://www.sun.com/download/products.xml?id=44eb1efd>

For example:

```
nxge-1.0-1.x86_64.rpm
```

3. Discover the network interfaces before adding the package by using the `ifconfig -a` command:

```
# ifconfig -a |grep eth
eth0      Link encap:Ethernet  HWaddr 00:14:4F:20:F1:DC
eth1      Link encap:Ethernet  HWaddr 00:14:4F:20:F1:DD
eth2      Link encap:Ethernet  HWaddr 00:14:4F:20:F1:DE
eth3      Link encap:Ethernet  HWaddr 00:14:4F:20:F1:DF
```

4. Use the `rpm` tool to install the driver on SuSe and RedHat Linux.

```
# rpm -ivh /tmp/RHEL4U4-large/RPMS/x86_64/nxge-1.0-1.x86_64.rpm
Preparing...      #####
1:nxge            #####
```

Note – In RHEL5.0 and later releases, the driver is packaged in the `kmod` driver binary package format. This packaging allows forward and backward driver binary compatibility within the same flavors of RHEL5 releases. Driver packages `nxge` version 2.0.0 and later are not compatible with the earlier `nxge-1.x-x` releases. To upgrade from `1.x-x` to `2.x.x` rpm package, it is necessary to remove `nxge-1.x-x` package before installing the `2.x.x` package.

The RHEL5 `nxge 2.x.x` `kmod` package contains two separate packages: One for the driver and another one for applications like `nxge_config`. You must install both of the following packages:

```
kmod-nxge-rhel-2.0-1.x86_64.rpm    (driver binary package)
nxge-apps-rhel-2.0-1.x86_64.rpm  (application package)
```

To install the complete package, enter the following:

```
# rpm -ivh nxge-apps-rhel-2.0-1.x86_64.rpm kmod-nxge-rhel-2.0-1.x86_64.rpm
```

To ensure that the driver is loaded after the rpm installation, enter the following:

```
# modprobe nxge
```

5. Verify the new network interface instances corresponding to the Sun x8 Express Dual 10 Gigabit Ethernet Fiber XFP Low Profile Adapter:

```
# ifconfig -a |grep eth
eth0      Link encap:Ethernet  HWaddr 00:14:4F:20:F1:DC
eth1      Link encap:Ethernet  HWaddr 00:14:4F:20:F1:DD
eth2      Link encap:Ethernet  HWaddr 00:14:4F:20:F1:DE
eth3      Link encap:Ethernet  HWaddr 00:14:4F:20:F1:DF
eth4      Link encap:Ethernet  HWaddr 00:14:4F:6C:78:E8
eth5      Link encap:Ethernet  HWaddr 00:14:4F:6C:78:E9
```

The Sun x8 Express Dual 10 Gigabit Ethernet Fiber XFP Low Profile Adapter instances, `eth4` and `eth5`, are shown in ***bold italics***.

6. Add the `nxge` interfaces to the `/etc/modules.conf` file to automatically load the driver after system reboot:

```
alias eth4 nxge
alias eth5 nxge
```

7. Use the `ethtool` command to check the parameter configurations that apply to the `nxge` driver.

(For 10G)

```
# ethtool -i eth4
driver: nxge
version: 2.0.1
firmware-version: 2XGF PXE1.47 FCode 3.9 07/04/24
bus-info: 0000:84:00.0
```

(Equivalent for 1G)

```
# ethtool -i eth4
driver: nxge
version: 2.0.1
firmware-version: QGC PXE1.47 FCode 3.9 07/04/24
bus-info: 0000:02:00.2
```

▼ To Remove the Driver From a Linux Platform

- To remove the driver packages from a Linux Platform use the `rpm -e` command:

```
# rpm -e nxge-1.0-1
```


Installing the Adapter

This chapter describes how to install the Sun x8 Express Dual 10 Gigabit Ethernet Fiber XFP Low Profile Adapter in your system and verify that it has been installed correctly.

This chapter contains the following section:

- [“Installing the Adapter” on page 13](#)
- [“Installing an Optical Transceiver” on page 17](#)
- [“Verifying the Hardware Installation” on page 20](#)

Note – If you are installing the Sun x8 Express Dual 10 Gigabit Ethernet Fiber XFP Low Profile Adapter in a machine running either the Solaris x86 Operating System or the Linux x86 Operating System, Dynamic Reconfiguration (DR) is *not* supported.

Installing the Adapter

If you are installing the Sun x8 Express Dual 10 Gigabit Ethernet Fiber XFP Low Profile Adapter into a machine running Solaris 10, you *must* install the software *before* you install the hardware.

The following instructions describe the basic tasks required to install the adapter. Refer to your system installation or service manual for detailed PCI-Express adapter installation instructions, specifically you must check which bracket your server requires (low profile or standard height), and install the standard height bracket if required.



Caution – Sun x8 Express Dual 10 Gigabit Ethernet Fiber XFP Low Profile Adapter mechanical fit limitations:

Do *not* install the Sun x8 Express Dual 10 Gigabit Ethernet Fiber XFP Low Profile

Adapter in slot-2 of a Sun Fire T2000 system. The SATA cables from the adjacent card slot prevent the proper installation of an Sun x8 Express Dual 10 Gigabit Ethernet Fiber XFP Low Profile Adapter in this slot. (Note that this issue does not exist for Sun Fire T2000 that is RoHS compliant.)

Caution – Do *not* install the Sun x8 Express Dual 10 Gigabit Ethernet Fiber XFP Low Profile Adapter in slot-5 of a Sun Fire X4600 system because the heatsink on the adapter will sit against the daughter card of the Sun Fire X4600 system.

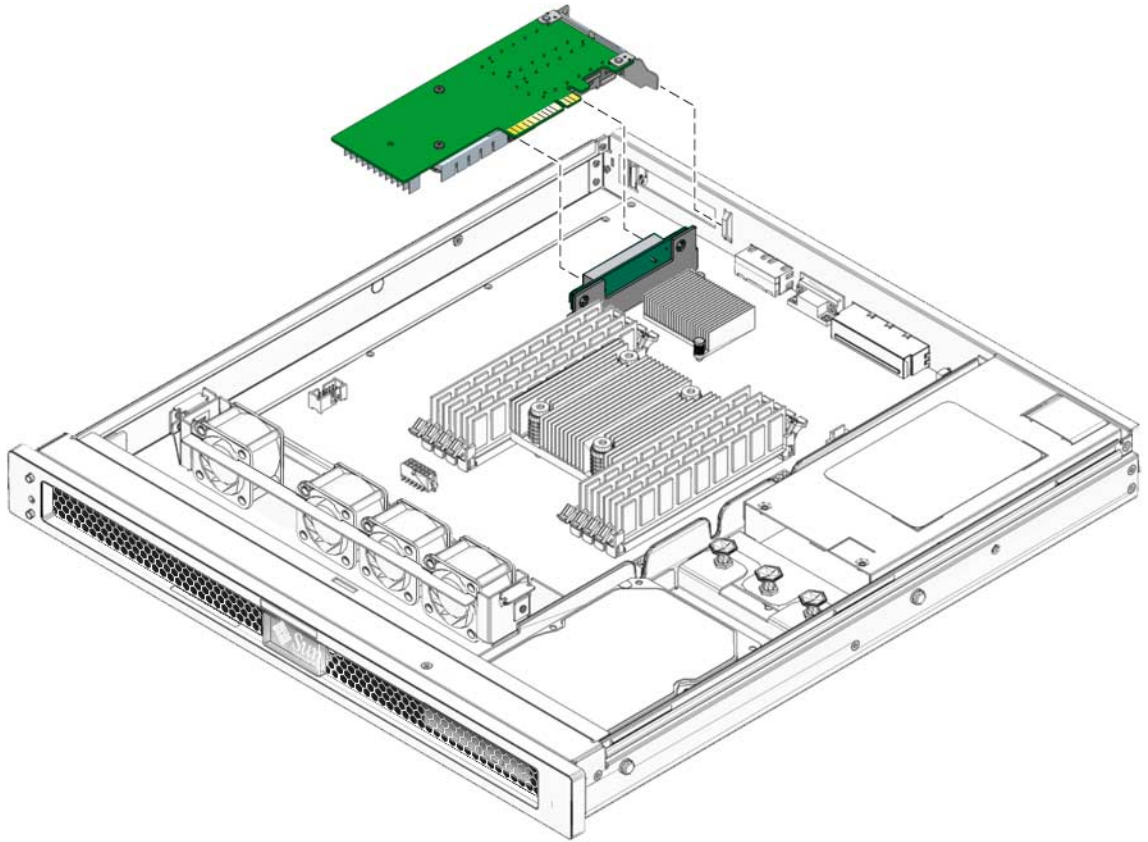
Note – When you install the adapter, ensure that the optical transceiver has *not* been installed. The optical transceiver must be installed into the adapter when it is in place.

This section contains the following topics:

- [“To Install the Adapter” on page 14](#)
- [“Installing an Optical Transceiver” on page 17](#)
- [“Verifying the Hardware Installation” on page 20](#)

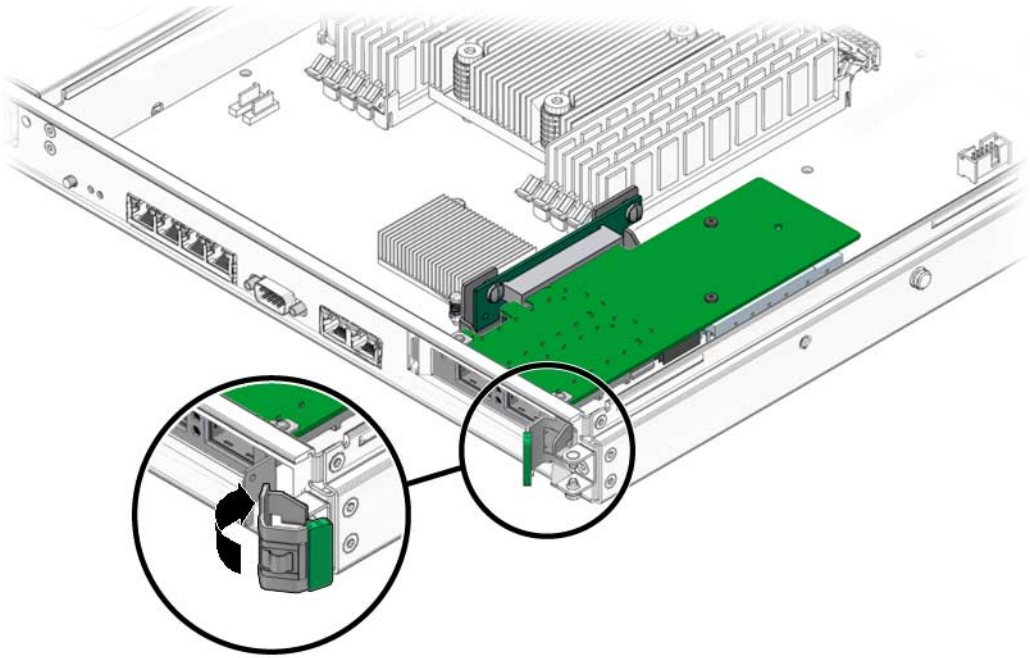
▼ To Install the Adapter

1. **Halt and power off your system.**
2. **Power off all of the peripherals connected to your system.**
3. **Open the system unit.**
4. **Attach the adhesive copper strip of the antistatic wrist strap to the metal casing of the power supply. Wrap the other end twice around your wrist, with the adhesive side against your skin.**
5. **Remove the filler panel from the PCI-E opening.**



Note – These illustrations show the Sun x8 Express Dual 10 Gigabit Ethernet Fiber XFP Low Profile Adapter being installed into a Sun Fire T2000, which requires a standard height bracket for the low profile adapter.

6. Open the retaining clip at the edge of the PCI-E opening.
7. Holding the adapter by the edges, align the adapter edge connector with the PCI-E slot. Slide the adapter face plate into the small slot at the end of the PCI-E opening.
8. Applying even pressure at both corners of the adapter, push the PCI-Express adapter until it is firmly seated in the slot.

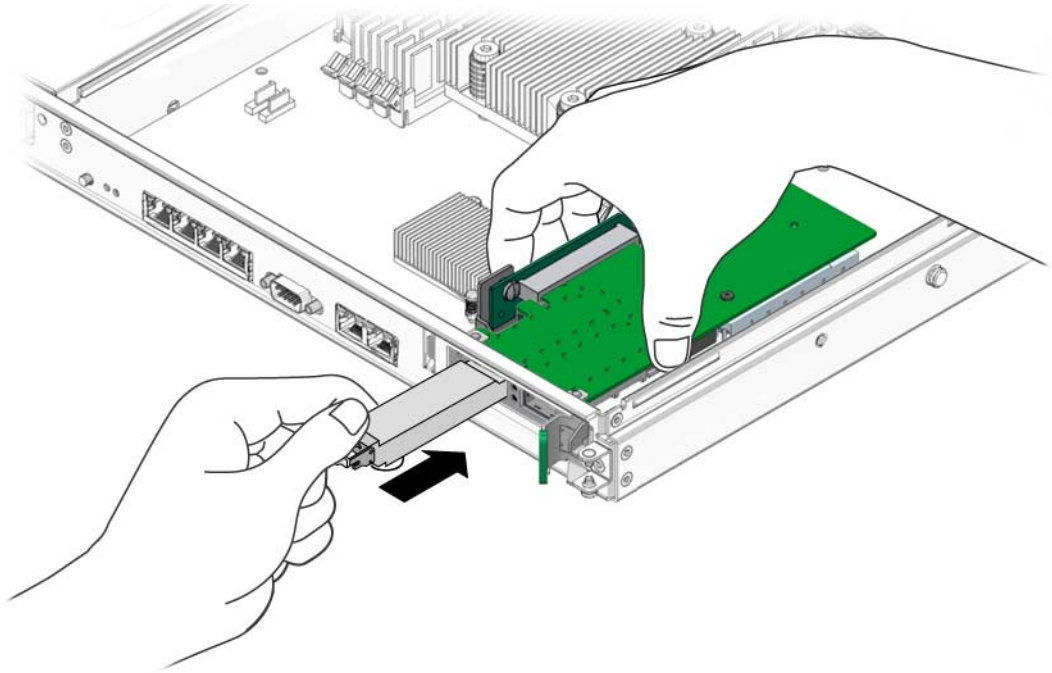


9. Secure the retaining clip



Caution – Do not use excessive force when installing the adapter into the PCI-E slot. You might damage the adapter’s PCI connector. If the adapter does not seat properly when you apply even pressure, remove the adapter and carefully reinstall it.

10. Detach the wrist strap and close the system unit.



11. Install the optical transceivers.

Note – Illustrations for installing the adapter and installing the optical transceiver show different systems. This difference in systems provides the maximum clarity for installing the optical transceiver and shows the most complicated adapter installation.

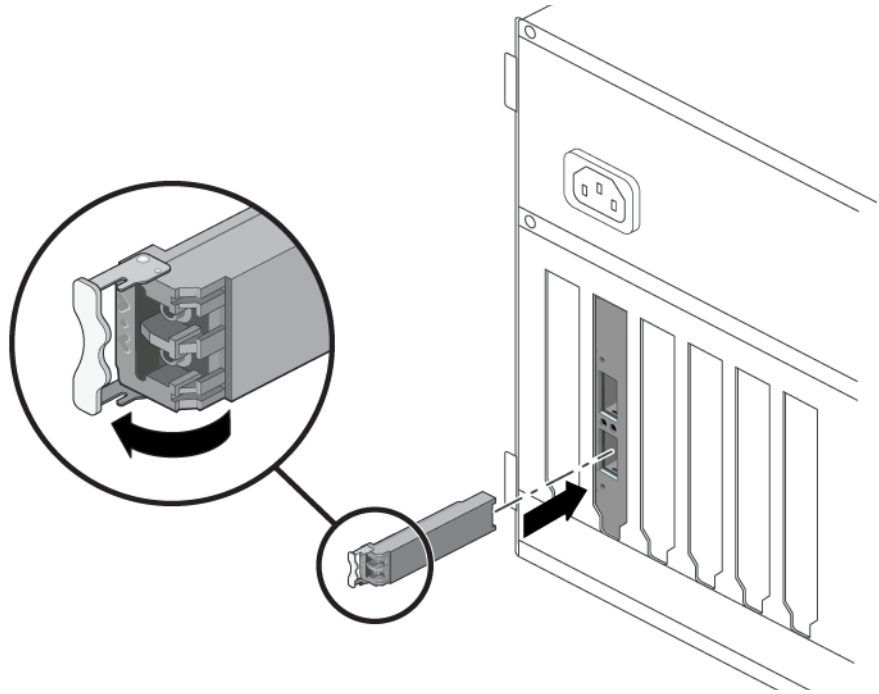
Installing an Optical Transceiver

The Sun x8 Express Dual 10 Gigabit Ethernet Fiber XFP Low Profile Adapter requires an optical transceiver in each port to create an Ethernet connection. The short-range optical transceiver Part Number: 135-1172-01 and the long-range optical transceiver Part Number: 375-3495-01 are both available from Sun Microsystems.

▼ To Install an Optical Transceiver

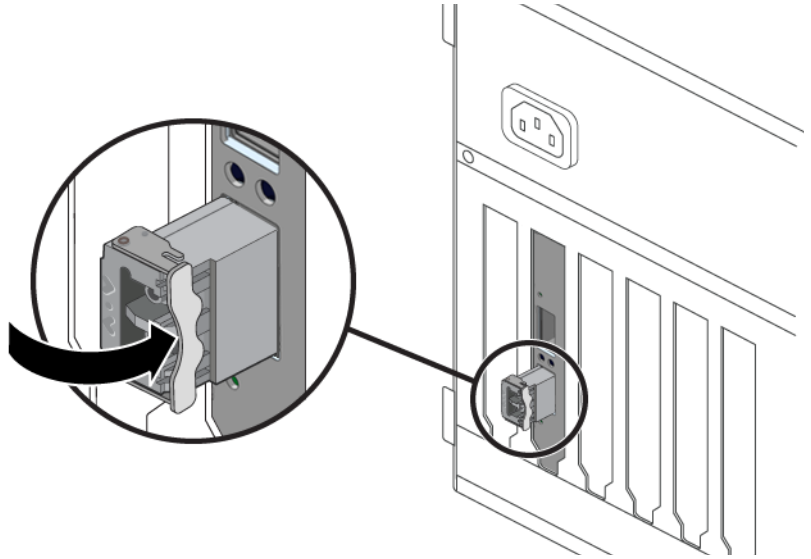
1. **Pull the white locking handle into the full horizontal position.**

You will feel the handle click into position when it is fully opened.

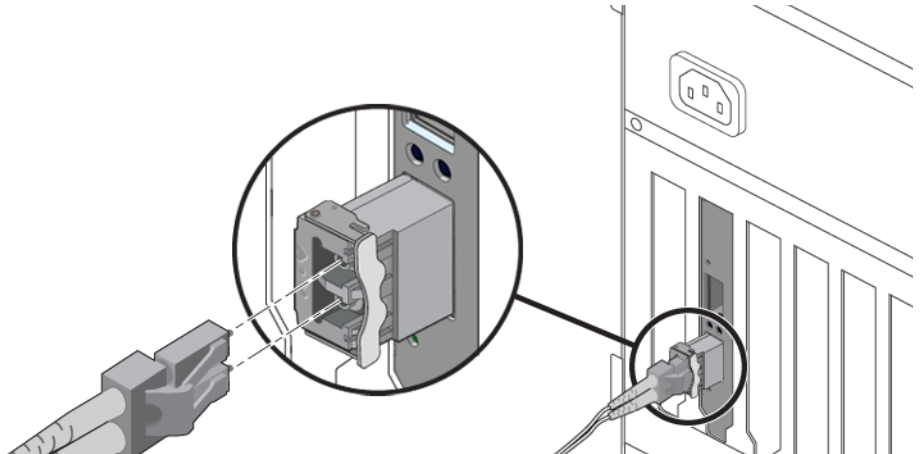


Note – If you are installing an optical transceiver in a SunFire T1000, ensure that the label and the edge connector is visible to you.

2. **Holding the optical transceiver by the edges, align the transceiver with the slot in the Sun x8 Express Dual 10 Gigabit Ethernet Fiber XFP Low Profile Adapter and slide it into the opening.**
3. **Applying even pressure at both corners of the transceiver, push the transceiver until it is firmly seated in the slot.**



4. Push the handle closed to lock the optical transceiver in place.



5. Repeat [Step 1](#) through [Step 4](#) to install the second optical transceiver
6. Detach the wrist strap.



Caution – If you pull the locking handle down when the optical transceiver is installed, remove the optical transceiver entirely and reinstall it. The handle operates an internal lock. Pulling the handle down can disconnect the optical transceiver, even though it might appear to be connected.

7. Connect the Ethernet cables.

Verifying the Hardware Installation

After you have installed the Sun 10-Gigabit Ethernet adapter, but *before* you boot your system, perform the following tasks to verify the installation. Refer to the your Solaris documentation for the detailed instructions.

Note – Verification is not required if your system supports dynamic reconfiguration (DR). Verification is not supported if your system is running Solaris x86 software.

▼ To Verify the Hardware Installation

1. Power on the system, and when the banner appears, press the Stop-A key sequence to interrupt the boot process and display the OpenBoot (ok) prompt.
2. List the network devices on your system.

```
ok show-nets
a) /pci@7c0/pci@0/pci@8/network@0,1
b) /pci@7c0/pci@0/pci@8/network@0
c) /pci@7c0/pci@0/pci@2/network@0,1
d) /pci@7c0/pci@0/pci@2/network@0
e) /pci@780/pci@0/pci@1/network@0,1
f) /pci@780/pci@0/pci@1/network@0
q) NO SELECTION from the above list
```

Checking the `.properties` output for each device is the surest way to identify the device. Usually `/pci@7c0/pci@0/pci@8` or `/pci@7c0/pci@0/pci@9` correspond to PCIe slots, so look at those devices first.

```
a) /pci@7c0/pci@0/pci@8/network@0,1
b) /pci@7c0/pci@0/pci@8/network@0
```

Note – If you do not see the device listed, check that the adapter is properly seated. If necessary, reinstall the adapter.

3. View the device that you installed.

Using the previous example, type:

```
ok cd /pci@7c0/pci@0/pci@8/network@0,1
```

4. Use the `.properties` command to display a list of device properties.

The `.properties` command displays the specific information about the device. If you are using the Sun x8 Express Dual 10 Gigabit Ethernet Fiber XFP Low Profile Adapter, your output will be similar to the following:

```
ok .properties
assigned-addresses      82080010 00000000 04000000 00000000 01000000
                        82080018 00000000 03500000 00000000 00008000
                        82080020 00000000 03508000 00000000 00008000
                        82080030 00000000 03600000 00000000 00100000
local-mac-address       00 14 4f 6b ce 88
phy-type                 xgf
reg                      00080000 00000000 00000000 00000000 00000000
                        03080010 00000000 00000000 00000000 01000000
                        03080018 00000000 00000000 00000000 00008000
                        03080020 00000000 00000000 00000000 00008000
                        03080030 00000000 00000000 00000000 00100000
version                  2XGF 10G Ethernet Adapter FCode 1.26 06/11/14
board-model              501-7283-04
model                    SUNW,pcie-2xgf
compatible                pciex108e,abcd.108e.0.0
                        pciex108e,abcd.108e.0
                        pciex108e,abcd.0
                        pciex108e,abcd
                        pciexclass,020000
                        pciexclass,0200
                        pci108e,abcd
address-bits              00000030
max-frame-size           00002400
network-interface-type   ethernet
device_type              network
name                      network
fcode-rom-offset         00000000
interrupts                00000001
class-code                00020000
subsystem-vendor-id      0000108e
revision-id               00000000
device-id                 0000abcd
vendor-id                 0000108e
```

5. Type the following when you finish looking at the `.properties` values:

```
ok device-end
```

Rebooting the System

After verifying the adapter installation, use the `boot -r` command to perform a reconfiguration boot on your system.

```
ok boot -r
```


Network Configuration

This chapter describes how to edit the network host files after the adapter has been installed on your system. This chapter contains the following sections:

- [“Configuring the Network Host Files” on page 23](#)
- [“Setting Up a 10-Gigabit Ethernet Network on a Diskless Client System” on page 25](#)
- [“Installing the Solaris Operating System Over a 10-Gigabit Ethernet Network” on page 27](#)
- [“Booting Over the 10-Gigabit Ethernet Network for Solaris x86 and Linux Systems” on page 31](#)

Configuring the Network Host Files

After installing the driver software, you must create a `hostname.nxgenunder` file for the adapter’s Ethernet interface. You must also create both an IP address and a host name for its Ethernet interface in the `/etc/hosts` file.

1. At the command line, use the `grep` command to search the `/etc/path_to_inst` file for `nxge` interfaces.

```
# grep nxge /etc/path_to_inst
# "/pci@7c0/pci@0/pci@9/network@0" 0 "nxge"
# "/pci@7c0/pci@0/pci@9/network@0,1" 1 "nxge"
#
```

In this example, the device instance is from a Sun x8 Express Dual 10 Gigabit Ethernet Fiber XFP Low Profile Adapter installed in slot 1.

Be sure to write down your device path and instance, which in the example is `"/pci@7c0/pci@0/pci@9/network@0" 0`. Your device path and instance will be similar. You need this information to make changes to the `nxge.conf` file. See [“Setting Parameters Using the `nxge.conf` File” on page 38](#).

2. Use the `ifconfig` command to set up the adapter’s `nxge` interface.

Use the `ifconfig` command to assign an IP address to the network interface. Type the following at the command line, replacing *ip-address* with the adapter’s IP address:

```
# ifconfig nxge0 plumb ip-address up
```

Refer to the `ifconfig(1M)` man page and the Solaris documentation for more information.

- If you want a setup that remains the same after you reboot, create an `/etc/hostname.nxgnumber` file, where *number* is the instance number of the `nxge` interface you plan to use.
To use the adapter’s `nxge` interface in the Step 1 example, create an `/etc/hostname.nxge0` file, where 0 is the number of the `nxge` interface. If the instance number were 1, the filename would be `/etc/hostname.nxge1`.
- Do not create an `/etc/hostname.nxgnumber` file for a Sun x8 Express Dual 10 Gigabit Ethernet Fiber XFP Low Profile Adapter interface you plan to leave unused.
- The `/etc/hostname.nxgnumber` file must contain the host name for the appropriate `nxge` interface.
- The host name must have an IP address listed in the `/etc/hosts` file.

- The host name must be different from any other host name of any other interface, for example: `/etc/hostname.nxge0` and `/etc/hostname.nxge1` cannot share the same host name.

The following example shows the `/etc/hostname.nxgenumber` file required for a system called `zardoz` that has a Sun x4 PCI-Express Gigabit Ethernet driver (`zardoz-11`).

```
# cat /etc/hostname.nxge0
zardoz
# cat /etc/hostname.nxge1
zardoz-11
```

3. Create an appropriate entry in the `/etc/hosts` file for each active `nxge` interface.

For example:

```
# cat /etc/hosts
#
# Internet host table
#
127.0.0.1    localhost
129.144.10.57 zardoz    loghost
129.144.11.83 zardoz-11
```

Setting Up a 10-Gigabit Ethernet Network on a Diskless Client System

Before you can boot and operate a diskless client system across a 10-Gigabit Ethernet network, you must first install the 10-Gigabit Ethernet software packages into the root directory of the diskless client. You can find the 10-Gigabit Ethernet software packages at the following web site:

<http://www.sun.com/download/index.jsp?cat=Networking&tab=3&subcat=Network%20Connectivity>

Refer to the *Solaris Advanced Installation Guide* and the *System Administration Guide* for more information about installing and administering diskless client systems.

Note – The Solaris x86 version of the operating system do not support diskless clients.

▼ To Set Up a 10-Gigabit Ethernet Port on a Diskless Client

1. Locate the root directory of the diskless client on the host server.

The root directory of diskless client system is commonly installed in the host server's `/export/root/client-name` directory, where *client_name* is the diskless client's host name. In this procedure, the root directory is:

```
/export/root/client-name
```

2. Download the software for Sun x8 Express Dual 10 Gigabit Ethernet Fiber XFP Low Profile Adapter onto the server's drive.

3. Use the `pkgadd -R` command to install the software packages to the diskless client's root directory on the server.

Install the software packages to the client's root directory.

4. Create a `hostname.nxgenumber` file in the diskless client's root directory.

Create an `/export/root/client-name/etc/hostname.nxgenumber` file for the 10-Gigabit Ethernet interface. See ["Configuring the Network Host Files" on page 23](#) for instructions.

5. Edit the `hosts` file in the diskless client's root directory.

Edit the `/export/root/client-name/etc/hosts` file to include the IP address of the 10-Gigabit Ethernet interface. See ["Configuring the Network Host Files" on page 23](#) for instructions.

6. Set the MAC address on the server side and rebuild the device tree if you want to boot from the 10-Gigabit Ethernet port.

7. To boot the diskless client from the 10-Gigabit Ethernet port, type the following boot command:

```
ok boot path-to-device:link-param
```

Installing the Solaris Operating System Over a 10-Gigabit Ethernet Network

The *Solaris Advanced Installation Guide* describes the full procedure for installing the Solaris Operating System over the network. The following procedure assumes that you have created an install server, which contains the image of the Solaris CD, and that you have set up the client system to be installed over the network.

Before you can install the Solaris Operating System on a client system with a 10-Gigabit Ethernet adapter, you must first add the 10-Gigabit Ethernet software packages to the install server. These software packages are on Sun 10-Gigabit Ethernet Driver CD.

Note – Refer to the *Solaris Advanced Installation Guide* for more information about installing the Solaris Operating System over the network.

▼ To Install the Solaris Operating System Over a 10-Gigabit Ethernet Network

1. **Prepare the install server and client system to install the Solaris Operating System over the network.**

The *Solaris Advanced Installation Guide* describes how to create the install server and set up the client systems.

Note – If you want to install the client system over a network that is not part of the same subnet, you must also create a boot server. The *Solaris Advanced Installation Guide* describes how to create a boot server.

2. Find the root directory of the client system.

The client system's root directory can be found in the install server's `/etc/bootparams` file. Use the `grep` command to search this file for the root directory.

```
# grep client-name /etc/bootparams
client_name root=server-name:/netinstall/Solaris_10/Tools/Boot
install=server-name:/netinstall boottype=:in rootopts=:rsize=32768
```

In this example, the root directory for the Solaris 10 client is `/netinstall`. In [Step 4](#), you would replace *root-directory* with `/netinstall`.

Note – If the root directory is not found in the `/etc/bootparams` file, refer to the *Solaris Advanced Installation Guide* for configuration instructions.

3. Download the Sun x8 Express Dual 10 Gigabit Ethernet driver onto the install server's hard drive.

The package is a folder `SUNWnxge.v` or `SUNWnxge.u`, which you can download from the following web site:

<http://www.sun.com/download/products.xml?id=44ebl1efd>

4. On the install server, install the Sun x8 Express Dual 10 Gigabit Ethernet software to the client's root directory, as determined in [Step 2](#).

Replace *root-directory* with the location of the client's root directory.

```
# cd location where you downloaded the packages
# ls SUNWnxge*
# pkgadd -R root-directory/Solaris_10/Tools/Boot -d . SUNWnxge.v
```

Note – If the commands above do not work correctly, refer to the documentation for your version of the Solaris Operating System.

Note – Perform the following steps on the client system.

5. Shut down and halt the client system.

Use the shutdown command to go to the OpenBoot (ok) prompt.

```
# shutdown -i0 -g0 -y
. . .
(shutdown command messages omitted)
. . .
ok
```

6. At the ok prompt, use the show-nets command to find the device path of the 10-Gigabit Ethernet device.

The show-nets command lists the system devices. You should see the full paths and names of the network devices, similar to the example below.

```
ok show-nets
a) /pci@7c0/pci@0/pci@8/network@0,1
b) /pci@7c0/pci@0/pci@8/network@0
c) /pci@7c0/pci@0/pci@2/network@0,1
d) /pci@7c0/pci@0/pci@2/network@0
e) /pci@780/pci@0/pci@1/network@0,1
f) /pci@780/pci@0/pci@1/network@0
q) NO SELECTION from the above list
```

7. At the ok prompt, boot the client system using the full device path of the 10-Gigabit Ethernet device, for example:

```
ok boot /pci@7c0/pci@0/pci@8/network@0
```

8. Proceed with the Solaris Operating System installation.

Refer to the *Solaris Advanced Installation Guide* for more information about installing the Solaris Operating System over the network.

9. After installing the Solaris Operating System, install the Sun x8 Dual 10 Gigabit Ethernet software on the client system.

The software installed in [Step 4](#) is required to boot the client system over the 10-Gigabit Ethernet interface. You now need to install the software in order for the operating system to use the client's 10-Gigabit Ethernet interfaces in normal operation.

Before installing the Sun 10-Gigabit Ethernet driver, ensure that the client system does not already have the driver installed. Use the `pkginfo` command to see if the Sun 10-Gigabit Ethernet software packages are installed on the client system.

```
# pkginfo | grep SUNWnxge
```

- If the software is installed, the previous command will return the package name you typed in. In that case, skip to [Step 10](#).
- If the software is not installed, install the software from the download center.

See [Chapter 2](#) for instructions on installing the required software packages.

10. Confirm that the network host files have been configured correctly during the Solaris installation.

Although the Solaris software installation creates the client's network configuration files, you may need to edit these files to match your specific networking environment. See "[Configuring the Network Host Files](#)" on [page 23](#) for more information about editing these files.

11. Use the `dladm show-dev` command to show configuration information for all data-links or the specified data-link. By default, the system is configured to have one data-link for each known network device.

```
# dladm show-dev
e1000g0      link: up      speed: 1000  Mbps      duplex: full
e1000g1      link: down    speed: 0     Mbps      duplex: half
e1000g2      link: down    speed: 0     Mbps      duplex: half
e1000g3      link: down    speed: 0     Mbps      duplex: half
nxge0       link: up      speed: 10000 Mbps      duplex: full
nxge1       link: up      speed: 10000 Mbps      duplex: full
```

Booting Over the 10-Gigabit Ethernet Network for Solaris x86 and Linux Systems

▼ To Boot Over the Network on Solaris x86 and Linux Systems

1. Obtain the MAC address from the target Sun x8 Express Dual 10 Gigabit Ethernet Fiber XFP Low Profile Adapter.
2. Set up the PXE boot server with the MAC addresses .
3. Choose one of the adapter ports as the boot interface.
4. Plug the Ethernet cable to the adapter port.
5. Power on the system.
6. Press the F2 key or the Control/E keys to go to the BIOS.
7. Check and make sure that the boot order of Hard Drive is higher than network devices.
8. Refer the *boot-device-order* image.

The reconfiguration boot attaches the driver to the adapter. You can now configure the driver parameters for your Sun x8 Express Dual 10 Gigabit Ethernet Fiber XFP Low Profile Adapter.

```

***** Boot *****
Device Priority * Specifies the boot
***** * sequence from the
Boot Device [Removable Dev.] * available devices.
Boot Device [CD/DVD] *
Boot Device [Hard Drive] * A device enclosed
* parenthesis has be
Boot Device [2-NVIDIA Boot Agen] * disabled in the
Boot Device [Network:IBA GE S]o] * corresponding type
Boot Device [Network:IBA GE S]o] * menu.
Boot Device [Network:IBA GE S]o] *
Boot Device [Network:IBA GE S]o] *
Boot Device [Network:IBA GE S]o] *
Boot Device [Network:IBA GE S]o] * ** Select Scree
Boot Device [Network:IBA GE S]o] * ** Select Item
Boot Device [Network:IBA GE S]o] * +- Change Optic
* F1 General Help
* F10 Save and Exi
* ESC Exit
*
*****
v02.58 (C)Copyright 1985-2006, American Megatrends, Inc.

```

9. Press the F10 key to save the boot configuration changes and exit.

System should reboot after saving the boot configuration.

10. Press the F12 key to install the OS from the network.

If the cable is connected to the right port, you should see the MAC address that you assigned to your PXE server displayed by BIOS.

```
image : pxe-mac-addr
PXE-E61: Media test failure, check cable
PXE-MOF: Exiting Intel Boot Agent.

NVIDIA Boot Agent 217.0513
Copyright (C) 2001-2005) NVIDIA Corporation
Copyright (C) 1997-2000) NVIDIA Corporation
PXE-E61: Media test failure, check cable
PXE-MOF: Exiting Intel Boot Agent.

NVIDIA Boot Agent 217.0513
Copyright (C) 2001-2005) NVIDIA Corporation
Copyright (C) 1997-2000) NVIDIA Corporation
PXE-E61: Media test failure, check cable
PXE-MOF: Exiting Intel Boot Agent.

Intel (R) Boot Agent GE v1.2.43 Beta-1
Copyright (C) 1997-2006) Intel Corporation

CLIENT MAC ADDR; 00 15 17 13 90 00 GUID: 00000000 0000 0000 0000
00144F26E0B7
```

11. You can now install the nxge driver and configure the adapter.

Configuring the `nxge` Device Driver Parameters

The `nxge` device driver controls the Sun x8 Express Dual 10 Gigabit Ethernet interfaces. You can manually set the `nxge` driver parameters to customize each device in your system.

This chapter lists the available device driver parameters and describes how you can set these parameters.

- [“`nxge` Hardware and Software Overview” on page 35](#)
- [“Setting `nxge` Driver Parameters on a Solaris Platform” on page 36](#)
- [“Setting Parameters Using the `ndd` Utility” on page 36](#)
- [“Setting Parameters Using the `nxge.conf` File” on page 38](#)
- [“Setting Parameters on a Linux Platform” on page 46](#)

`nxge` Hardware and Software Overview

The Sun x8 Express Dual 10 Gigabit Ethernet Fiber XFP Low Profile Adapter provides two 10-Gigabit Full Duplex networking interfaces. The device driver automatically sets the link speed to 10000 Mbit/sec and conforms to the IEEE 802.3 Ethernet standard. Each interface has 8 Receive DMA Channels and 12 Transmit DMA Channels to allow for parallel processing of the packets. The Sun x8 Express Dual 10 Gigabit Ethernet Fiber XFP Low Profile Adapter extends CPU and OS parallelism to networking with its support for hardware-based flow classification and multiple DMAs. Using CPU thread affinity to bind a given flow to a specific CPU thread, it enables a one-to-one correlation of Rx and Tx packets across the same TCP connection. This can help avoid cross-calls and context switching to deliver greater performance while reducing the need for CPU resources to support I/O

processing. The Sun 10-Gigabit Ethernet Adapter utilizes Sun's own innovative MAC Controller to map the 10-Gigabit XAUI interface onto the PCI Express form factor. It supports 10 Gb/sec bandwidth using eight transmit and eight receive lanes.

Setting `nxge` Driver Parameters on a Solaris Platform

You can set the `nxge` device driver parameters in two ways:

- Using the `ndd` utility
- Using the `nxge.conf` file

If you use the `ndd` utility, the parameters are valid only until you reboot the system. This method is good for testing parameter settings.

To set parameters so they remain in effect after you reboot the system, create a `/platform/sun4u/kernel/drv/nxge.conf` file and add parameter values to this file when you need to set a particular parameter for a device in the system.

Setting Parameters Using the `ndd` Utility

Use the `ndd` utility to configure parameters that are valid until you reboot the system.

The following sections describe how you can use the `nxge` driver and the `ndd` utility to modify (with the `-set` option) or display (without the `-set` option) the parameters for each `nxge` device.

Noninteractive and Interactive Modes

You can use the `ndd` utility in two modes:

- Noninteractive
- Interactive

In noninteractive mode, you invoke the utility to execute a specific command. Once the command is executed, you exit the utility. In interactive mode, you can use the utility to get or set more than one parameter value. Refer to the `ndd(1M)` man page for more information.

▼ To Specify Device Instances for the `ndd` Utility

Before you use the `ndd` utility to get or set a parameter for a `nxge` device, you must specify the device instance for the utility.

1. Check the `/etc/path_to_inst` file to identify the instance associated with a particular device.

```
# grep nxge /etc/path_to_inst
"/pci@7c0/pci@0/pci@9/network@0" 0 "nxge"
"/pci@7c0/pci@0/pci@9/network@0,1" 1 "nxge"
```

▼ To Specify Parameter Values Using the `ndd` Utility

This section describes how to modify and display parameter values.

1. To modify a parameter value, use the `-set` option.

If you invoke the `ndd` utility with the `-set` option, the utility passes *value*, which must be specified, down to the named `/dev/nxgedriver_instance`, and assigns the value to the parameter:

```
# ndd -set /dev/nxgeX parameter-value
```

Where *X* is the driver instance, for example `/dev/nxge0`, `/dev/nxge1`.

2. To display the value of a parameter, specify the parameter name and omit the value.

When you omit the `-set` option, the utility queries the named driver instance, retrieves the value associated with the specified parameter, and prints it:

```
# ndd /dev/nxgeX parameter
```

▼ To Use the `ndd` Utility in Interactive Mode

1. To modify a parameter value in interactive mode, specify `ndd /dev/nxgeX`:

```
# ndd /dev/nxge0
name to get/set? (Enter the parameter name or ? to view all
parameters)
```

After you enter the parameter name, the `ndd` utility prompts you for the parameter value.

2. To list all the parameters supported by the `nxge` driver, type `?`.

```
# ndd /dev/nxge1 name to get/set ?
?                               (read only)
function_number                 (read only)
adv_autoneg_cap                 (read and write)
adv_10gfdx_cap                 (read and write)
adv_1000fdx_cap                (read and write)
adv_100fdx_cap                 (read and write)
adv_10fdx_cap                  (read and write)
adv_pause_cap                  (read and write)
accept_jumbo                   (read and write)
rxdma_intr_time                (read and write)
rxdma_intr_pkts               (read and write)
class_opt_ipv4_tcp             (read and write)
class_opt_ipv4_udp             (read and write)
class_opt_ipv4_ah              (read and write)
class_opt_ipv4_sctp            (read and write)
class_opt_ipv6_tcp             (read and write)
class_opt_ipv6_udp             (read and write)
class_opt_ipv6_ah              (read and write)
class_opt_ipv6_sctp            (read and write)
```

Setting Parameters Using the `nxge.conf` File

Specify the driver parameter properties for each device by creating a `nxge.conf` file in the `/kernel/drv` directory. Use a `nxge.conf` file when you need to set a particular parameter for a device in the system.

The man pages for `prtconf(1M)` and `driver.conf(4)` include additional details. The next procedure shows an example of setting parameters in a `nxge.conf` file.

- To access any man page, type the `man` command plus the name of the man page.

For example, to access man pages for `prtconf(1M)`, type:

```
% man prtconf
```


▼ To Set Driver Parameters Using an `nxge.conf` File

1. Obtain the hardware path names for the `nxge` devices in the device tree.

- a. Check the `/etc/driver_aliases` file to identify the name associated with a particular device:

```
# grep nxge /etc/driver_aliases
nxge "pciex108e,abcd"
```

- b. Locate the path names and the associated instance numbers in the `/etc/path_to_inst` file.

```
# grep nxge/etc/path_to_inst
"/pci@780/pci@0/pci@8/network@0" 0 "nxge"
"/pci@780/pci@0/pci@8/network@0,1" 1 "nxge"
```

- In this example:

- The first part within the double quotes specifies the hardware node name in the device tree.
- The number not enclosed in quotes is the instance number (shown in ***bold italics*** for emphasis).
- The last part in double quotes is the driver name.

To identify a PCI-E device unambiguously in the `nxge.conf` file, use the name, parent name, and the unit-address for the device. Refer to the `pci(4)` man page for more information about the PCI-E device specification.

In this example:

- `name = "pciex108e,abcd"`
- `parent = "/pci@780/pci@0/pci@8/network@0"`
- `unit-address = "0"`

2. Set the parameters for the `nxge` devices in the `/platform/sun4u/kernel/drv/nxge.conf` file.

- a. The following parameters can be set using the `/platform/sun4u/kernel/drv/nxge.conf` file.

```
#
#-----Link Configuration -----
#   The link parameters depend on the type of the card
#   and the port.
#   10 gigabit related parameters ( i.e adv_10gfdx_cap)
```

```

# apply only to 10gigabit ports.
# Half duplex is not supported on any NIU card.
#
# adv-autoneg-cap
#     Advertise auto-negotiation capability.
#     default is 1
# adv-autoneg-cap = 1;
#
# adv_10gfdx_cap
#     Advertise 10gbps Full duplex capability.
#     default is 1
# adv_10gfdx_cap = 1;
#
# adv_1000fdx_cap
#     Advertise 1gbps Full duplex capability.
#     default is 1
# adv_1000fdx_cap = 1;
#
# adv_100fdx_cap
#     Advertise 100mbps Full duplex capability.
#     default is 1
# adv_100fdx_cap = 1;
#
# adv_10fdx_cap
#     Advertise 10mbps Full duplex capability.
#     default is 1
# adv_10fdx_cap = 1;
#
# adv_asmpause_cap
#     Advertise Asymmetric pause capability.
#     default is 0
# adv_asmpause_cap = 0;
#
# adv_pause_cap
#     Advertise pause capability.
#     default is 1
# adv_pause_cap = 1;
#
#
#----- Jumbo frame support -----
# To enable jumbo support for all nxge interfaces,
# accept_jumbo = 1;
#
# To disable jumbo support for all nxge interfaces,
# accept_jumbo = 0;
#
# Default is 0. See the example at the end of this file for
# enabling or disabling jumbo for a particular nxge interface.
#

```

```

#
#----- Receive DMA Configuration -----
#
# rxdma-intr-time
#     Interrupts after this number of NIU hardware ticks have
#     elapsed since the last packet was received.
#     A value of zero means no time blanking (Default = 8).
#
# rxdma-intr-pkts
#     Interrupt after this number of packets have arrived since
#     the last packet was serviced. A value of zero indicates
#     no packet blanking (Default = 20).
#
# Default Interrupt Blanking parameters.
#
# rxdma-intr-time = 8;
# rxdma-intr-pkts = 20;
#
#----- Classification and Load Distribution Configuration -----
#
# class-opt-****-***
#     These variables define how each IP class is configured.
#     Configuration options range from whether TCAM lookup ie
#     is enabled to flow hash generation.
#     This parameters also control how the flow template is
#     constructed and how packet is distributed within RDC
#     groups.
#
#     supported classes:
#     class-opt-ipv4-tcp class-opt-ipv4-udp class-opt-ipv4-sctp
#     class-opt-ipv4-ah class-opt-ipv6-tcp class-opt-ipv6-udp
#     class-opt-ipv6-sctp class-opt-ipv6-ah
#
#     Configuration bits (The following bits will be decoded
#     by the driver as hex format).
#
#     0010:         use MAC Port (for flow key)
#     0020:         use L2DA (for flow key)
#     0040:         use VLAN (for flow key)
#     0080:         use proto (for flow key)
#     0100:         use IP src addr (for flow key)
#     0200:         use IP dest addr (for flow key)
#     0400:         use Src Port (for flow key)
#     0800:         use Dest Port (for flow key)
#
# class-opt-ipv4-tcp = fe0;
#

```

b. The following parameters operate on a per port basis and can be set using the /platform/sun4u/kernel/drv/nxge.conf file.

```
#
# ----- How to set parameters for a particular interface -----
# The example below shows how to locate the device path and set a
# parameter for a particular nxge interface. (Using jumbo support as
# an example)
#
# Use the following command to find out the device paths for nxge,
#     more /etc/path_to_inst | grep nxge
#
# For example, if you see,
#     "/pci@7c0/pci@0/pci@8/network@0" 0 "nxge"
#     "/pci@7c0/pci@0/pci@8/network@0,1" 1 "nxge"
#     "/pci@7c0/pci@0/pci@8/network@0,2" 2 "nxge"
#     "/pci@7c0/pci@0/pci@8/network@0,3" 3 "nxge"
#
# then you can enable jumbo for ports 0 and 1 and disable jumbo for ports 2
# and 3 as follows,
#
# name = "pciex108e,abcd" parent = "/pci@7c0/pci@0/pci@8/" unit-address
# = "0"
# accept_jumbo = 1;
# name = "pciex108e,abcd" parent = "/pci@7c0/pci@0/pci@8/" unit-address
# = "0,1"
# accept_jumbo = 1;
# name = "pciex108e,abcd" parent = "/pci@7c0/pci@0/pci@8/" unit-address
# = "0,2"
# accept_jumbo = 0;
# name = "pciex108e,abcd" parent = "/pci@7c0/pci@0/pci@8/" unit-address
# = "0,3"
# accept_jumbo = 0;
```

c. In the following example, the ports of *all* the Sun x8 Express Dual 10 Gigabit Ethernet Fiber XFP Low Profile Adapter are being set for load balancing Rx traffic based on IP source address. The default value is F80 indicating Rx load balancing based on IP 5-tuple. Notice the semi-colon at the end of the last parameter.

```
class-opt-ipv4-tcp = 100;
class-opt-ipv4-udp = 100;
```

- d. The following example shows ports on two different cards being set. Only one node needs to be specified.

```
name = "pciex108e,abcd" parent = "/pci@780/pci@0/pci@8/" unit-address = "0"
class-opt-ipv4-tcp = 0x100;

name = "pciex108e,abcd" parent = "/pci@7c0/pci@0/pci@9/" unit-address = "0"
class-opt-ipv4-tcp = 0x40;
```

3. Save the `nxge.conf` file.

Tuning for Maximum Performance on a Solaris Platform

Tuning for maximum performance in a Solaris platform depends on whether you are using an UltraSPARC CPU based platform or an AMD CPU based platform.

▼ To Improve Performance on an UltraSPARC CPU Based Sun Platform

1. Improve performance by adding the following `/etc/system` file:

```
# set ddi_msix_alloc_limit=4
```

Increasing the MSI improves the Rx performance. The default value for MSI is 2, but changing it to 4 improves performance (8 can be used for UltraSparc-T1 based systems).

2. Reboot the system:

```
# reboot -r
```

3. Add the following to a startup script, or use `ndd` before plumbing the interface:

```
# ndd -set /dev/ip ip_soft_rings_cnt 8
```

Utilizing more soft-rings provided by the Solaris TCP/IP stack significantly improves bulk throughput for Rx. The default number of soft-rings is 2, but changing it to 8 improves performance. (You can increase the number to 16 in UltraSparc-T1 based systems).

▼ To Improve Performance on an AMD CPU Based Sun Platform

1. Enable soft-rings and change to a higher value than the default of 2 by adding the following to the `/etc/system` file:

```
set ip:ip_queue_fanout=1
set ip_queue_soft_ring=1
```

Bulk throughput for Rx can be significantly improved by utilizing more soft-rings provided by the Solaris TCP/IP stack. Soft-rings are disabled by default in previous and current releases of the Solaris-x86 Operating System.

2. Reboot the system:

```
# reboot -r
```

3. Set the MSI to 1 on AMD platforms by adding following to the `/etc/system` file:

```
set ddi_msix_alloc_limit=1
```

4. Reboot the system:

```
# reboot -r
```

▼ To Obtain Higher Throughput Using the Generic Tunables for the Solaris TCP/IP Stack

- To obtain higher throughput, add the following to a startup script:

```
ndd -set /dev/tcp tcp_conn_req_max_q 8192
ndd -set /dev/tcp tcp_conn_req_max_q0 8192
ndd -set /dev/tcp tcp_max_buf 4194304
ndd -set /dev/tcp tcp_cwnd_max 2097152
ndd -set /dev/tcp tcp_recv_hiwat 400000
ndd -set /dev/tcp tcp_xmit_hiwat 400000
```

Setting Parameters on a Linux Platform

▼ To Set Parameters Using the ethtool Utility

1. Determine which parameters are available using the ethtool utility:

```
# ethtool -help eth4
ethtool version 1.8
Usage:
    ethtool DEVNAME
    ethtool -a DEVNAME
    ethtool -A DEVNAME \
        [ autoneg on|off ] \
        [ rx on|off ] \
        [ tx on|off ]
    ethtool -c DEVNAME
    ethtool -C DEVNAME \
        [adaptive-rx on|off] \
        [adaptive-tx on|off] \
        [rx-usecs N] \
        [rx-frames N] \
        [rx-usecs-irq N] \
        [rx-frames-irq N] \
        [tx-usecs N] \
        [tx-frames N] \
        [tx-usecs-irq N] \
        [tx-frames-irq N] \
        [stats-block-usecs N] \
        [pkt-rate-low N] \
        [rx-usecs-low N] \
        [rx-frames-low N] \
        [tx-usecs-low N] \
        [tx-frames-low N] \
        [pkt-rate-high N] \
        [rx-usecs-high N] \
        [rx-frames-high N] \
        [tx-usecs-high N] \
        [tx-frames-high N] \
        [sample-interval N]
    ethtool -g DEVNAME
```



```

ethhtool -G DEVNAME \
    [ rx N ] \
    [ rx-mini N ] \
    [ rx-jumbo N ] \
    [ tx N ]
ethhtool -i DEVNAME
ethhtool -d DEVNAME
ethhtool -e DEVNAME \
    [ raw on|off ] \
    [ offset N ] \
    [ length N ]
ethhtool -E DEVNAME \
    [ magic N ] \
    [ offset N ] \
    [ value N ]
ethhtool -k DEVNAME
ethhtool -K DEVNAME \
    [ rx on|off ] \
    [ tx on|off ] \
    [ sg on|off ] \
    [ tso on|off ]
ethhtool -r DEVNAME
ethhtool -p DEVNAME [ %d ]
ethhtool -t DEVNAME [online|(offline)]
ethhtool -s DEVNAME \
    [ speed 10|100|1000 ] \
    [ duplex half|full ] \
    [ port tp|aui|bnc|mii|fibre ] \
    [ autoneg on|off ] \
    [ phyad %d ] \
    [ xcvr internal|external ] \
    [ wol p|u|m|b|a|g|s|d... ] \
    [ sopass %x:%x:%x:%x:%x:%x ] \
    [ msglvl %d ]
ethhtool -S DEVNAME

```

Following are some common parameters that can be changed:

```
# ethtool -c eth8
Coalesce parameters for eth8:
Adaptive RX: off TX: off
stats-block-usecs: 0
sample-interval: 0
pkt-rate-low: 0
pkt-rate-high: 0

rx-usecs: 8
rx-frames: 512
rx-usecs-irq: 0
rx-frames-irq: 512

tx-usecs: 0
tx-frames: 0
tx-usecs-irq: 0
tx-frames-irq: 0

rx-usecs-low: 0
rx-frame-low: 0
tx-usecs-low: 0
tx-frame-low: 0

rx-usecs-high: 0
rx-frame-high: 0
tx-usecs-high: 0
tx-frame--high: 0
```

`rx-usecs` and `rx-frames` control the RX interrupt rate per RX DMA channel. RX interrupt will be generated after `rx-frames` have been received or after `rx-usecs` time interval if fewer than `rx-frames` have been received within the interval. For low latency applications, it is recommended to set `rx-usecs` to smaller value. For bulk traffic, it is recommended to use larger values of `rx-usecs` and control the rate with `rx-frames`.

`rx-frames-irq` controls the maximum number of rx packets processed with a single RX interrupt.

2. To change RX interrupt Coalesce parameters use the `ethtool -C` command:

```
# ethtool -C eth4 rx-usecs 20
# ethtool -c eth4
Coalesce parameters for eth4:
Adaptive RX: off TX: off
stats-block-usecs: 0
sample-interval: 0
pkt-rate-low: 0
pkt-rate-high: 0

rx-usecs: 20
rx-frames: 512
rx-usecs-irq: 0
rx-frames-irq: 512

tx-usecs: 0
tx-frames: 0
tx-usecs-irq: 0
tx-frames-irq: 0

rx-usecs-low: 0
rx-frame-low: 0
tx-usecs-low: 0
tx-frame-low: 0

rx-usecs-high: 0
rx-frame-high: 0
tx-usecs-high: 0
tx-frame-high: 0
```

3. To get status of L4 HW checksumming, use the `ethtool -k` command:

```
# ethtool -k eth4
Offload parameters for eth4:
Cannot get device tcp segmentation offload settings: Operation not
supported
rx-checksumming: on
tx-checksumming: on
scatter-gather: off
tcp segmentation offload: off
```

▼ To Set Parameters Using the Bundled configtool Utility

1. To get a list of tunable parameters, use the `nxge_config if_name get` command:

```
# /usr/local/bin/nxge_config eth4 get
The tunable parameters exported by this device are:

class_opt_ipv4_tcp           Read-Write
class_opt_ipv4_udp           Read-Write
class_opt_ipv4_ah            Read-Write
class_opt_ipv4_sctp          Read-Write
class_opt_ipv6_tcp           Read-Write
class_opt_ipv6_udp           Read-Write
class_opt_ipv6_ah            Read-Write
class_opt_ipv6_sctp          Read-Write
```

These classification variables define how each IP class is configured. This parameter also controls how the flow template is constructed and how packets are distributed within RDC groups.

```
Configuration bits:

0x0010:      use MAC Port (for flow key)
0x0020:      use L2DA (for flow key)
0x0040:      use VLAN (for flow key)
0x0080:      use proto (for flow key)
0x0100:      use IP src addr (for flow key)
0x0200:      use IP dest addr (for flow key)
0x0400:      use Src Port (for flow key)
0x0800:      use Dest Port (for flow key)
```

Note – The classification variables are modified on an adapter basis, that is, if any of these variables is modified for one port, the change carries over to all other ports of that adapter.

2. To get a particular variable use the `nxge_config if_name get param_name:`

```
# /usr/local/bin/nxge_config eth4 get class_opt_ipv4_udp
class_opt_ipv4_udp           0xfe3
```

3. To set a particular variable, use the `/usr/local/bin/nxge_config if_name set param_name value`:

```
# /usr/local/bin/nxge_config eth4 set class_opt_ipv4_tcp 0xfe0
```

Tuning for Maximum Performance on a Linux Platform

The following tunings will improve the performance of the Sun x8 Express Dual 10 Gigabit Ethernet device driver on a system running the Linux operating system.

1. Create the `conf` file (for example, `sysctl_nxge.conf`) that will be called by the `sysctl` utility.

```
### IPV4 specific settings
# turns TCP timestamp support off, default 1, reduces CPU use
net.ipv4.tcp_timestamps = 0
# turn SACK support off, default on systems with a VERY fast bus ->
# memory interface this is the big gainer
net.ipv4.tcp_sack = 0
# sets min/default/max TCP read buffer, default 4096 87380 174760
net.ipv4.tcp_rmem = 1000000 1000000 10000000
# sets min/pressure/max TCP write buffer, default 4096 16384 131072
net.ipv4.tcp_wmem = 1000000 1000000 10000000
# sets min/pressure/max TCP buffer space, default 31744 32256 32768
net.ipv4.tcp_mem = 1000000 1000000 10000000

### CORE settings (mostly for socket and UDP effect)
# maximum receive socket buffer size, default 131071
net.core.rmem_max = 524287
# maximum send socket buffer size, default 131071
net.core.wmem_max = 524287
# default receive socket buffer size, default 65535
net.core.rmem_default = 524287
# default send socket buffer size, default 65535
net.core.wmem_default = 524287
# maximum amount of option memory buffers, default 10240
net.core.optmem_max = 524287
# number of unprocessed input packets before kernel starts dropping
# them, default 300
net.core.netdev_max_backlog = 300000
```

2. Set up the `sysctl` utility.

```
# sysctl -p /etc/sysctl_nxge.conf
```

Configuring the Jumbo Frames Feature

This chapter describes how to configure the Jumbo Frames feature. It contains the following sections:

- [“Jumbo Frames Overview” on page 53](#)
- [“Checking Jumbo Frames Configurations” on page 53](#)
- [“Enabling Jumbo Frames in a Solaris Environment” on page 55](#)
- [“Enabling Jumbo Frames in a Linux Environment” on page 57](#)

Jumbo Frames Overview

Configuring Jumbo Frames enables the Ethernet interfaces to send and receive packets larger than the standard 1500 bytes. However, the actual transfer size depends on the switch capability and the ethernet adapter driver capability.

Note – Refer to the documentation that came with your switch for exact commands to configure Jumbo Frames support.

Checking Jumbo Frames Configurations

The jumbo frame configuration checking occurs at Layer 2 or Layer 3, depending on the configuration method.

▼ To Show the Driver Statistics in a Solaris Environment

1. Use the `kstat` command to display driver statistics, for example:

```
# kstat nxge:1 |grep rdc_packets
rdc_packets          798982054
rdc_packets          792546171
rdc_packets          803941759
rdc_packets          805674872
rdc_packets          798714912
rdc_packets          799293256
rdc_packets          806470537
rdc_packets          805413540
```

The previous example displays the receive packet counts on all of the eight Receive DMA channels on interface 1. Using the `kstat nxge:1` shows all the statistics that the driver supports for that interface.

2. Use the `kstat` command to display driver statistics of a VLAN interface, for example:.

```
# kstat nxge:38001
module: nxge                instance: 38001
name: nxge38001            class: net
    brdcstrcv                0
    brdcstxmt                0
    collisions               0
    crtime                   3842.493000352
    ierrors                  0
    ifspeed                  10000000000
    ipackets                 2116069805
    ipackets64               6411037101
    multircv                 0
    multixmt                 0
    norcvbuf                 0
    noxmtbuf                 0
    obytes                   2757388874
    obytes64                 23380264381002
    oerrors                  0
    opackets                 37606022
    opackets64               4332573318
    rbytes                   2937141290
    rbytes64                 47178857920554
```

Enabling Jumbo Frames in a Solaris Environment

This section describes how to enable jumbo frames in both a SPARC and an x86 environment.

▼ To Enable Jumbo Frames in a Solaris Environment Using `nxge.conf`

1. Enable Jumbo Frames for a port using the `nxge.conf` file. For example,

```
name = "pciex108e,abcd" parent = "/pci@780/pci@0/pci@8/network@0"  
unit-address = "0"  
accept-jumbo=1;
```

2. Reboot the system:

```
% boot -r
```

3. Set the maximum MTU for maximum performance:

```
# ifconfig nxge mtu 9194
```

▼ To Check Layer 2 Configuration

- View the maximum transmission unit (MTU) configuration of an `nxge` instance at any time with the `kstat` command.

```
# kstat nxge:0 | grep mac_mtu
```

The `kstat mac_mtu` variable represents the complete size of the Ethernet frame, which includes the Ethernet header, maximum payload, and `crc`. This value should be equal to or less than the MTU configured on the switch.

▼ To Check Layer 3 Configuration

- Check the Layer 3 configuration by using the `dladm` command with the *show-link* option, as shown in the following example:

```
# dladm show-link
e1000g0      type: non-vlan  mtu: 1500      device: e1000g0
e1000g1      type: non-vlan  mtu: 1500      device: e1000g1
e1000g2      type: non-vlan  mtu: 1500      device: e1000g2
e1000g3      type: non-vlan  mtu: 1500      device: e1000g3
nxge0       type: non-vlan  mtu: 9194      device: nxge0
nxge1       type: non-vlan  mtu: 9194      device: nxge1
nxge38001   type: vlan 38   mtu: 9194      device: nxge1
```

Enabling Jumbo Frames in a Linux Environment

This section describes how to enable jumbo frames in a Linux environment.

▼ To Enable Jumbo Frames in a Linux Environment

1. Ensure that the `nxge` software is installed.

```
# modprobe nxge
```

2. Plumb the Sun x8 Express Dual 10 Gigabit Ethernet Fiber XFP Low Profile Adapter interface:

```
# ifconfig eth2 xxx.xxx.xx.xxx up
```

where `xxx.xxx.xx.xxx` is the IP address of the interface.

3. Set the MTU for maximum performance:

```
# ifconfig ethx mtu 9194
```

Where *x* is the instance number of the interface you want to configure jumbo frames on.

▼ To Show the Driver Statistics in a Linux Environment

1. Use the `ifconfig` utility to display driver statistics, for example:

```
# ifconfig eth4
eth9      Link encap:Ethernet  HWaddr 00:14:4F:6C:78:E9
          inet addr:38.38.9.42  Bcast:38.38.9.255
Mask:255.255.255.0
          inet6 addr: fe80::214:4fff:fe6c:78e9/64 Scope:Link
          UP BROADCAST RUNNING MULTICAST  MTU:9194  Metric:1
          RX packets:748274 errors:0 dropped:0 overruns:0 frame:0
          TX packets:8645339 errors:0 dropped:0 overruns:0 carrier:0
          collisions:0 txqueuelen:1000
          RX bytes:44983920 (42.9 MiB)  TX bytes:75352303126 (70.1
GiB)
```

2. Use the `ethtool` utility with `-S` option to get more detailed information. This option displays a large amount of statistics maintained by the driver.

```
# ethtool -S eth9 |grep rx_pac
rx_packets: 748274
rx_packets: 828
rx_packets: 112
rx_packets: 189088
rx_packets: 134
rx_packets: 196085
rx_packets: 177884
rx_packets: 93
rx_packets: 184050
```

3. To get more specific statistics, use the `grep` command on the output of `ethtool -S`:

```
# ethtool -S eth9 |grep tx_pac
tx_packets: 8645339
tx_packets: 3418334
tx_packets: 26
tx_packets: 0
tx_packets: 22
tx_packets: 401791
tx_packets: 1466540
tx_packets: 0
tx_packets: 21
tx_packets: 725
tx_packets: 3357880
tx_packets: 0
tx_packets: 0
```


Configuring Link Aggregation

This chapter describes how to configure link aggregation. It contains the following sections:

- [“Overview of Link Aggregation” on page 61](#)
- [“Configuring Link Aggregation in a Linux Environment” on page 64](#)

Overview of Link Aggregation

Link Aggregation allows one or more network links to be aggregated together to form a link aggregation group. This link aggregation group appears to MAC clients as a regular link. Link aggregation is defined by IEEE 802.2ad and it provides the following benefits:

- Increased bandwidth
- Linearly incremental bandwidth
- Load sharing
- Automatic configuration
- Rapid configuration and reconfiguration
- Deterministic behavior
- Low risk of duplication or mis-ordering
- Support of existing IEEE 802.3 MAC clients

Configuring Link Aggregation in a Solaris Environment

This section explains how to configure link aggregation in a Solaris environment.

▼ To Configure Link Aggregation in a Solaris Environment

1. Aggregate `nxge0` and `nxge1` to form an aggregation and a random number 33 as key.

- a. Unplumb the interfaces to be aggregated:

```
# ifconfig down unplumb nxge0
# ifconfig down unplumb nxge1
```

- b. Create a link-aggregation group with key 33 without specifying mode:

```
# dladm create-aggr -d nxge0 -d nxge1 33
```

As the command returns, one line appears in `/etc/aggregation.conf` file and indicates that the default mode is off, as shown in the following example:

```
# tail -1 /etc/aggregation.conf
33      L4      2      nxge0/0,nxge1/0  auto    off      short

# dladm show-aggr
key: 33 (0x0021)      policy: L4      address: 0:3:ba:d8:9d:e8 (auto)
  device      address      speed      duplex  link  state
  nxge0      0:3:ba:d8:9d:e8  10000  Mbps  full  up    standby
  nxge1      0:3:ba:d8:9d:e9  10000  Mbps  full  up    standby

# dladm show-link aggr33
aggr33      type: non-vlan  mtu: 1500      aggregation: key 33
```


2. Plumb up the interface `aggrkey`, which is `aggr33` is this case:

```
# ifconfig aggr33 plumb
# ifconfig aggr33
aggr33: flags=1000842<BROADCAST,RUNNING,MULTICAST,IPv4> mtu 1500 index 8
    inet 0.0.0.0 netmask 0
    ether 0:3:ba:d8:9d:e8

# ifconfig aggr33 192.168.1.1/24 broadcast + up

# ifconfig aggr33
aggr33: flags=1000843<UP,BROADCAST,RUNNING,MULTICAST,IPv4> mtu 1500 index 8
    inet 192.168.1.1 netmask ffffffff broadcast 192.168.1.255
    ether 0:3:ba:d8:9d:e8
```

3. Show link-aggregation status again, and now the state should become attached:

```
# dladm show-aggr
key: 33 (0x0021)          policy: L4          address: 0:3:ba:d8:9d:e8 (auto)

    device      address          speed          duplex  link  state
    nxge0       0:3:ba:d8:9d:e8 10000 Mbps      full    up    attached
    nxge1       0:3:ba:d8:9d:e9 10000 Mbps      full    up    attached
```

4. Use the `dladm show-aggr -s` command to display statistics:

```
# dladm show-aggr -s
key: 33
    Total          ipackets  rbytes      opackets  obytes    %ipkts    %opkts
    nxge0          0          0           16        1182     -         100.0
    nxge1          0          0           0         0        -         0.0
```

5. Use the `dladm show-aggr -L` command to display LACP specific information:

```
# dladm show-aggr -L
key: 33 (0x0021)          policy: L4          address: 0:3:ba:d8:9d:e8 (auto)
                        LACP mode: off LACP timer: short
device  activity timeout aggregatable sync  coll dist defaulted expired
nxge0   passive  short   yes          no   no  no  no      no
nxge1   passive  short   yes          no   no  no  no      no
```

For more information refer to the man pages for `dladm`, `man dladm`.

Configuring Link Aggregation in a Linux Environment

This section explains how to configure link aggregation in a Linux environment.

▼ To Configure Bonding for Multiple `nxge` Interfaces

1. Modify the `/etc/modprobe.conf` file for 2.6 kernels file by adding these lines:

```
alias bond0 bonding
options bonding max_bonds=2 mode=4 miimon=1000
```

where:

- `bond0` is the bonding device.
- `max_bonds` is the number of bond interfaces to be created.
- `mode` specifies the bonding policies.
- `miimon` is the frequency in milliseconds that MII link monitoring will occur.

Refer to Linux documentation for more information.

2. Load the bonding driver:

```
# modprobe bonding
```

3. Configure bond0 interface.

In this example, bond0 is the master of the two interfaces eth4 and eth5.

```
# ip addr add 192.12.38.64/24 brd + dev bond0
# ip link set dev bond0 up
# ifenslave bond0 eth4 eth5
```


Configuring VLANs

This chapter explains Virtual Local Area Networks (VLANs) in detail and provides configuration instructions and examples. It contains the following sections:

- [“Overview of VLANs” on page 67](#)
- [“Configuring VLANs in a Solaris Environment” on page 69](#)
- [“Configuring VLANs in a Linux Environment” on page 71](#)

With multiple VLANs on an adapter, a server with a single adapter can have a logical presence on multiple IP subnets. By default, 128 VLANs can be defined for each VLAN-aware adapter on your server. However, this number can be increased by changing the system parameters.

If your network does not require multiple VLANs, you can use the default configuration, in which case no further configuration is necessary.

Overview of VLANs

VLANs enable you to split your physical LAN into logical subparts, providing an essential tool for increasing the efficiency and flexibility of your network.

VLANs are commonly used to separate groups of network users into manageable broadcast domains, to create logical segmentation of workgroups, and to enforce security policies among each logical segment. Each defined VLAN behaves as its own separate network, with its traffic and broadcasts isolated from the others, increasing the bandwidth efficiency within each logical group.

Although VLANs are commonly used to create individual broadcast domains and/or separate IP subnets, it can be useful for a server to have a presence on more than one VLAN simultaneously. Several Sun products support multiple VLANs on a per port or per interface basis, allowing very flexible network configurations.

[FIGURE 8-1](#) shows an example network that uses VLANs.

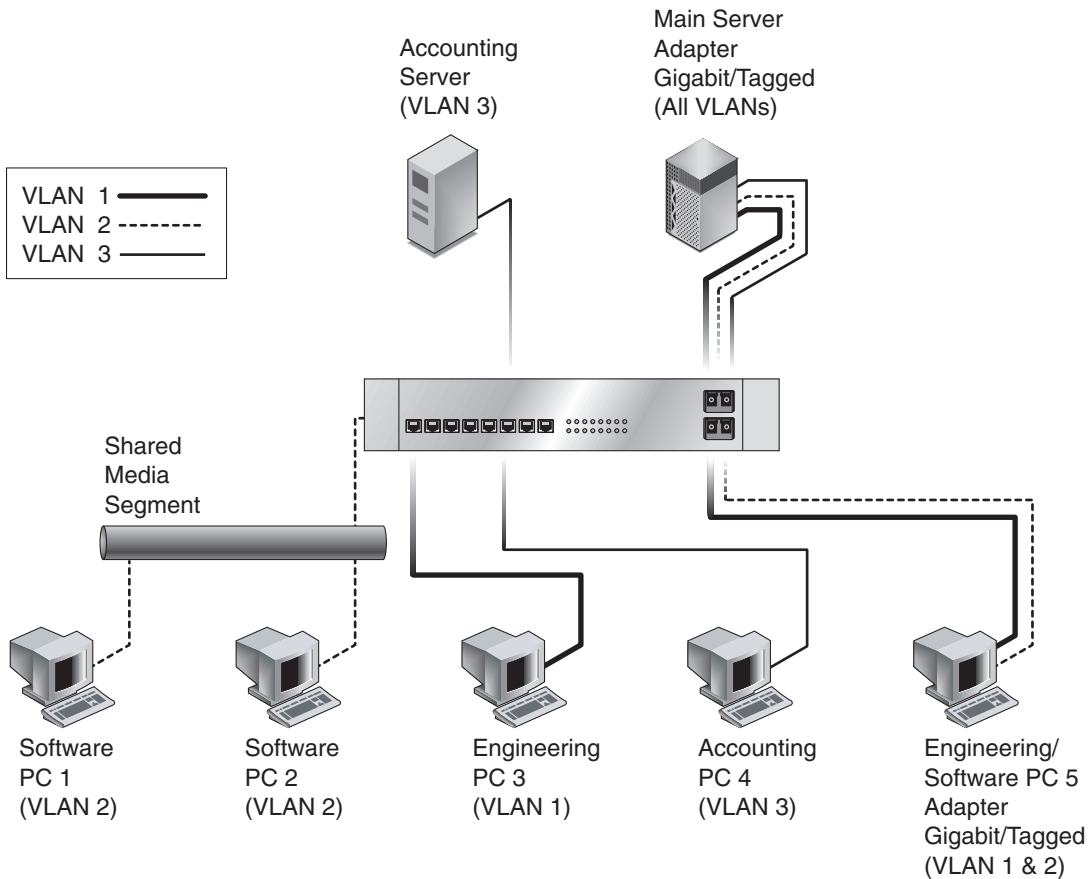


FIGURE 8-1 Example of Servers Supporting Multiple VLANs With Tagging Adapters

The example network has the following features:

The physical LAN network consists of a switch, two servers, and five clients. The LAN is logically organized into three different VLANs, each representing a different IP subnet.

- VLAN 1 is an IP subnet consisting of the Main Server, Client 3, and Client 5. This represents an engineering group.
- VLAN 2 includes the Main Server, Clients 1 and 2 by means of a shared media segment, and Client 5. This is a software development group.
- VLAN 3 includes the Main Server, the Accounting Server and Client 4. This is an accounting group.

The Main Server is a heavily used server that needs to be accessed from all VLANs and IP subnets. The server has a Sun x8 Express Dual 10 Gigabit Ethernet Fiber XFP Low Profile Adapter installed. All three IP subnets are accessed by means of the single physical adapter interface. The server is attached to one of the switch's Gigabit Ethernet ports, which is configured for VLANs 1, 2, and 3. Both the adapter and the connected switch port have tagging turned on. The tagging VLAN capabilities of both devices enable the sever to communicate on all three IP subnets in this network, yet continue to maintain broadcast separation among the three subnets. The following list describes the components of this network:

- The Accounting Server is available to VLAN 3 only. It is isolated from all traffic on VLANs 1 and 2. The switch port connected to the server has tagging turned off.
- Clients 1 and 2 are attached to a shared media hub that is then connected to the switch. They belong to VLAN 2 only, and are logically in the same IP subnet as the Main Server and Client 5. The switch port connected to this segment has tagging turned off.
- Client 3 is a member of VLAN 1, and can communicate only with the Main Server and Client 5. Tagging is not enabled on Client 3's switch port.
- Client 4 is a member of VLAN 3, and can communicate only with the servers. Tagging is not enabled on Client 4's switch port.
- Client 5 is a member of both VLANs 1 and 2, and has a Sun x8 Express Dual 10 Gigabit Ethernet Fiber XFP Low Profile Adapter installed. It is connected to switch port 10. Both the adapter and the switch port are configured for VLANs 1 and 2 and have tagging enabled.

VLAN tagging is only required to be enabled on switch ports that create trunk links to other VLAN-aware Ethernet switches, or on ports connected to tag-capable end-stations, such as servers or workstations with VLAN-aware adapters.

Configuring VLANs in a Solaris Environment

VLANs can be created according to various criteria, but each VLAN must be assigned a VLAN tag or VLAN ID (VID). The VID is a 12-bit identifier between 1 and 4094 that identifies a unique VLAN. For each network interface (`nxge0` and `nxge1`), 4094 possible VLAN IDs can be selected. Only 512 unique IDs can be used simultaneously. Because IP subnets are commonly used, it is best to use IP subnets when setting up a VLAN network interface. This means that each VID assigned to a VLAN interface of a physical network interface will belong to different subnets.

Tagging an Ethernet frame requires the addition of a tag header to the frame. The header is inserted immediately following the destination MAC address and the Source MAC address. The tag header consists of two bytes of Ethernet Tag Protocol identifier (TPID, 0x8100) and two bytes of Tag Control Information (TCI). [FIGURE 8-2](#) shows the Ethernet Tag Header format.

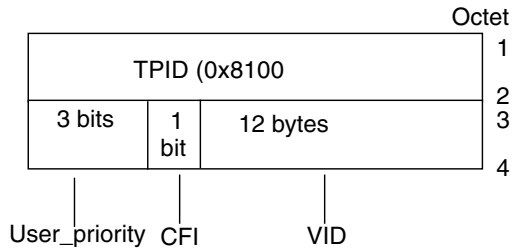


FIGURE 8-2 Ethernet Tag Header Format

By default, a single VLAN is configured for every port. This groups all ports into the same broadcast domain, just as if there were no VLANs at all, VLAN tagging for the switch port is turned off.

Note – If you configure a VLAN virtual device for an adapter, all traffic sent or received by that adapter must be in VLAN-tagged format.

▼ To Configure Static VLANs

1. **Create one `hostname.nxgnumber` file for each VLAN that will be configured for each adapter on the server.**

Use the following naming format, which includes both the VID and the physical point of attachment (PPA):

VLAN logical PPA = $1000 * VID + Device PPA$
`nxge123000` = $1000 * 123 + nxge$

This format limits the maximum number of PPAs (instances) you can configure to 1000 in the `/etc/path_to_inst` file.

For example, on a server with the Sun x8 Express Dual 10 Gigabit Ethernet Fiber XFP Low Profile Adapter having an instance of 0, belonging to a member of two VLANs, with VID 123 and 224, you would use `nxge123000` and `nxge224000`, respectively, as the two VLAN PPAs.

2. Use the `ifconfig(1M)` to configure a VLAN virtual device, for example:

```
# ifconfig vxge123000 plumb up
# ifconfig vxge224000 plumb up
```

The output of `ifconfig -a` on a system having VLAN devices `vxge123000` and `vxge224000`:

```
# ifconfig -a
lo0: flags=1000849<UP,LOOPBACK,RUNNING,MULTICAST,IPv4> mtu 8232 index 1
    inet 127.0.0.1 netmask ff000000
hme0: flags=1000843<UP,BROADCAST,RUNNING,MULTICAST,IPv4> mtu 1500 index 2
    inet 129.144.131.91 netmask ffffffff broadcast 129.144.131.255
    ether 8:0:20:a4:4f:b8
vxge123000: flags=1000843<UP,BROADCAST,RUNNING,MULTICAST,IPv4> mtu 1500 index 3
    inet 199.199.123.3 netmask ffffffff broadcast 199.199.123.255
    ether 8:0:20:a4:4f:b8
vxge224000: flags=1000843<UP,BROADCAST,RUNNING,MULTICAST,IPv4> mtu 1500 index 4
    inet 199.199.224.3 netmask ffffffff broadcast 199.199.224.225
    ether 8:0:20:a4:4f:b8
```

3. On the switch, set VLAN tagging and set VLAN ports to coincide with the VLANs you've set up on the server.

Using the examples in [Step 2](#), you would set up VLAN ports 123 and 224 on the switch.

Refer to the documentation that came with your switch for specific instructions for setting VLAN tagging and ports.

Configuring VLANs in a Linux Environment

▼ To Configure VLANs in a Linux Environment

1. Ensure that the `vxge` module is loaded:

```
# modprobe vxge
```

2. Plumb the Sun x8 Express Dual 10 Gigabit Ethernet Fiber XFP Low Profile Adapter interface:

```
# ifconfig eth2 xxx.xxx.xx.xxx up
```

where *xxx.xxx.xx.xxx* = the IP address of the interface.

3. Insert the VLAN module:

```
# /sbin/modprobe 8021q
```

4. Add the VLAN instance (VID):

```
# /sbin/vconfig add eth2 5
```

5. Configure the *nxge* VLAN (eth2 in this example):

```
# ifconfig eth2.5 xxx.xxx.xx.xxx up
```

where *xxx.xxx.xx.xxx* = the IP address of the interface.

Specifications

This appendix lists the specifications for the Sun x8 Express Dual 10 Gigabit Ethernet Fiber XFP Low Profile Adapter. It contains the following sections:

- “Connectors” on page 73
- “Performance Specifications” on page 74
- “Physical Characteristics” on page 75
- “Power Requirements” on page 75

Connectors

FIGURE A-1 shows the connector for the Sun x8 Express Dual 10 Gigabit Ethernet Fiber XFP Low Profile Adapter.

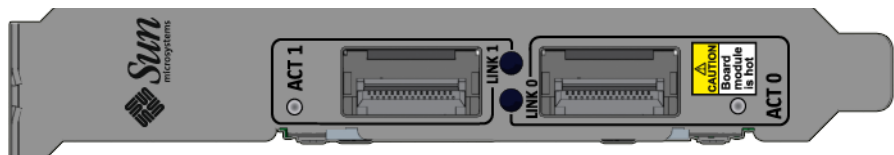


FIGURE A-1 Sun x8 Express Dual 10 Gigabit Ethernet XFP Low Profile Adapter Connectors

TABLE A-1 lists the characteristics of the fiber connectors used by the Sun x8 Express Dual 10 Gigabit Ethernet Fiber XFP Low Profile Adapter.

TABLE A-1 XFP Connector Characteristics

Parameter	Description
Connector type	LC
Distance	10GBase-SR: Depending on fiber quality, up to 300 meters for high bandwidth multimode fiber 10GBase-LR: Depending on fiber quality, 10km maximum
Fiber type	10GBase-SR = multimode 10GBase-LR = single mode

Performance Specifications

TABLE A-2 Performance Specifications

Feature	Specification
Bus type	x8 lane PCI-Express 1.1
Bus width	x8 lane PCI-Express
Bus speed (x8, encoded rate)	20 Gbit/sec uni-directional; 40 Gbit/sec bidirectional (theoretical)
Maximum Ethernet transfer rate	10 Gbps (full-duplex)
Optics	10GBase-SR, 10GBase-LR, IEEE 802.3ae 2002 compliant

Physical Characteristics

TABLE A-3 Physical Characteristics

Dimension	Measurement
Length	167.65 mm (6.6 inches)
Width	68.90 mm (2.713 inches)
Height	Component side = 14.48 mm (0.57 inches) maximum Solder side = 2.67 mm (0.105 inches) maximum

Power Requirements

TABLE A-4 Low-Profile Power Requirements

Specification	Measurement
Power consumption	20.74W typical 24.33W peak
Voltage	12V and 3.3V

Diagnostic Software

This appendix provides an overview of the SunVTS diagnostic application and instructions for updating the SunVTS software to recognize the adapter. This appendix contains the following sections:

- “SunVTS Diagnostic Software” on page 77
- “Updating SunVTS to Recognize the Adapter” on page 78
- “Using the SunVTS `netlbttest`” on page 79

SunVTS Diagnostic Software

The SunVTS software executes multiple diagnostic hardware tests from a single user interface and is used to verify the configuration and functionality of most hardware controllers and devices. The SunVTS software operates primarily from a graphical user interface, enabling test parameters to be set quickly and easily while a diagnostic test operation is being performed.

Note – SunVTS diagnostic software is not currently available for Solaris x86 Operating Systems.

The SunVTS `nettest` diagnostic can be used to test all of the networking interfaces on the system, including the interfaces on the adapter.

To use the `nettest` diagnostic, you must have the SunVTS software installed on your system. Refer to your Solaris documentation for installation instructions.

Refer to the SunVTS documentation (listed in [TABLE B-1](#)) for instructions on how to run and monitor the `nettest` diagnostic. These SunVTS documents are available online at the following URL:

http://www.sun.com/products-n-solutions/hardware/docs/Software/system_administration/tools/testing_valid/sunvts/index.html

Select the document for the Solaris release on your system.

TABLE B-1 SunVTS Documentation

Title	Description
<i>SunVTS User's Guide</i>	Describes the SunVTS diagnostic environment
<i>SunVTS Test Reference Manual</i>	Describes each SunVTS test (including the <code>nettest</code>) and describes the various test options and command-line arguments
<i>SunVTS Quick Reference</i>	Provides an overview of the user interface

Updating SunVTS to Recognize the Adapter

Use SunVTS 6.3 or later. You will need to update the SunVTS configuration to recognize the adapter.

▼ To Update SunVTS to Recognize the Adapter

1. **Plug in a loopback cable.**
2. **Ensure that the SunVTS software and the `nxge` driver are installed on your system.**
3. **Add the following lines to the `/opt/SUNWvts/lib/conf/netlbttest.conf` and `/opt/SUNWvts/lib/conf/nettest.conf` files:**

```
nxge nxge 10gbaset
```

Using the SunVTS netlbttest

You must have the Ethernet card and the device driver installed, a loopback connector in place, and Intervention mode enabled before running `netlbttest`. `netlbttest` cannot run if the network interface is connected to a live network, and requires that the Ethernet device be configured offline before running the test. Use the `ifconfig(1M)` command to bring the Ethernet device down before running `netlbttest`.

▼ To Use the netlbttest

1. Ensure that the SunVTS software and the `nxge` driver are installed on your system.
2. Plug in a loopback cable.
3. Unplumb the interface from the system, using the `ifconfig` command:

```
# ifconfig nxgeinstance down
# ifconfig nxgeinstance unplumb
```

Where *instance* is the instance number of the interface.

Refer to SunVTS documentation for instructions on how to run `netlbttest`.

Index

Symbols

/etc/hostname.nxgnumber file, 24

A

assigning an IP address, 24

C

configuring the network host files, 23

configuring VLANs, 69

D

diskless clients, 25

documentation

 SunVTS, 78

E

editing the network host files, xiii, 23

H

hardware

 components, 1

 requirements, 2

I

ifconfig -a, 71

ifconfig command, 24

installing the adapter without DR, 13

installing the Solaris operating environment over the network, 27

N

ndd utility, 37

P

parameter values

 how to modify and display, 37

S

setting nxge driver parameters

 using ndd

 using nxge.conf, 36

setting nxge driver parameters, xiii, 35

software

 requirements, 2

SunVTS

 documentation, 77

SunVTS diagnostic application, xiv, 77

SUNW, nxge devices, 35

V

verify the installation, 20

virtual device, 71

VLAN ID, 69

VLAN naming format, 70

VLANs, xiv, 67

Free Manuals Download Website

<http://myh66.com>

<http://usermanuals.us>

<http://www.somanuals.com>

<http://www.4manuals.cc>

<http://www.manual-lib.com>

<http://www.404manual.com>

<http://www.luxmanual.com>

<http://aubethermostatmanual.com>

Golf course search by state

<http://golfingnear.com>

Email search by domain

<http://emailbydomain.com>

Auto manuals search

<http://auto.somanuals.com>

TV manuals search

<http://tv.somanuals.com>