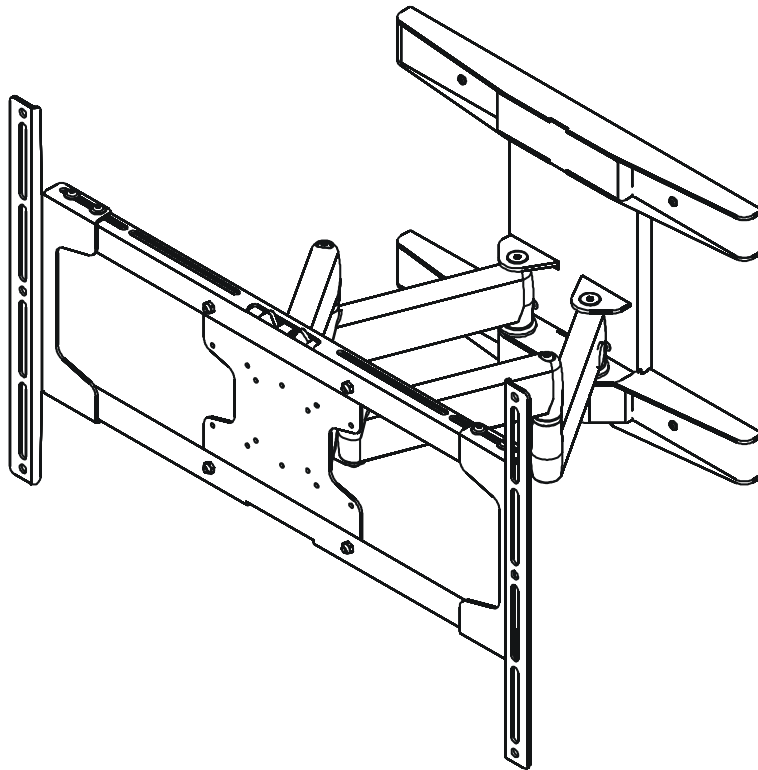

INSTALLATION INSTRUCTIONS



All-Weather Articulating Wall Mount

SunBriteTV[®]

SB-WM46

DISCLAIMER

SunBriteTV LLC (SBTV) intend to make this manual accurate and complete. However, SBTv makes no claim that the information contained herein covers all details, conditions or variations, nor does it provide for every possible contingency in connection with the installation or use of this product. The information contained in this document is subject to change without notice or obligation of any kind. SBTv makes no representation of warranty, expressed or implied, regarding the information contained herein. SBTv assumes no responsibility for accuracy, completeness or sufficiency of the information contained in this document.

SunBriteTV® is a registered trademark of SunBrite TV LLC. Built to SunBriteTV® specifications by Chief Manufacturing. All rights reserved.



WARNING: Use this mounting system only for its intended use as described in these instructions. Do not use attachments not recommended by the manufacturer.



WARNING: Never operate this mounting system if it is damaged. Return the mounting system to a service center for examination and repair.

IMPORTANT ! : The SB-WM46 mounts are designed to be mounted to a 2" x 4" wood studs (16" on center) wall or to an 8" concrete wall.

--SAVE THESE INSTRUCTIONS--



IMPORTANT SAFETY INSTRUCTIONS



WARNING: A WARNING alerts you to the possibility of serious injury or death if you do not follow the instructions.



CAUTION: A CAUTION alerts you to the possibility of damage or destruction of equipment if you do not follow the corresponding instructions.



WARNING: Failure to read, thoroughly understand, and follow all instructions can result in serious personal injury, damage to equipment, or voiding of factory warranty! It is the installer's responsibility to make sure all components are properly assembled and installed using the instructions provided.

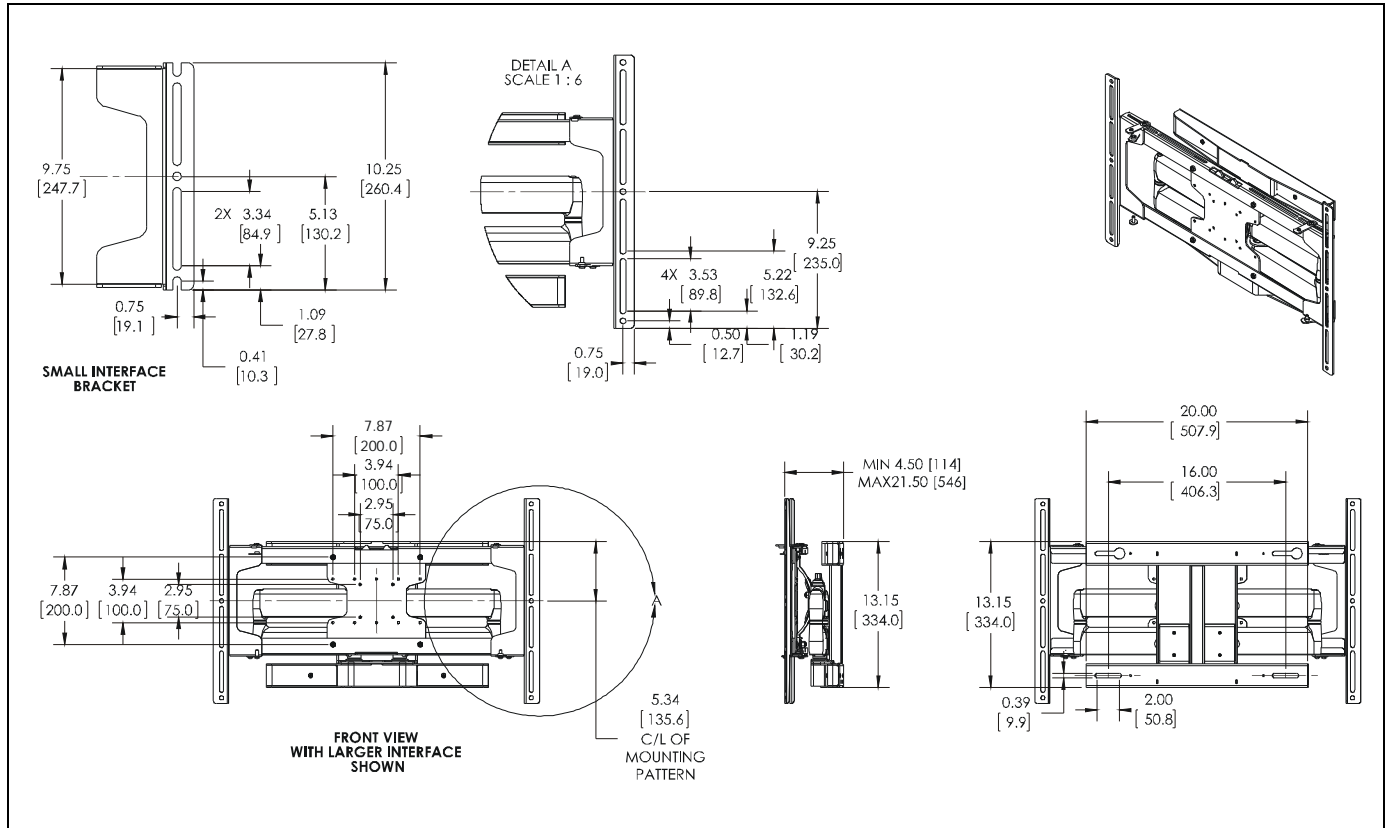


WARNING: Failure to provide adequate structural strength for this component can result in serious personal injury or damage to equipment! It is the installer's responsibility to make sure the structure to which this component is attached can support five times the combined weight of all equipment. Reinforce the structure as required before installing the component. The wall to which the mount is being attached may have a maximum drywall thickness of 5/8" (1.6cm). Do not install drywall anchors into the seam between drywall pieces.





WARNING: Exceeding the weight capacity can result in serious personal injury or damage to equipment! It is the installer's responsibility to make sure the combined weight of all components located between the SB-WM46 up to (and including) the display does not exceed 150 lbs (68 kg).


DIMENSIONS




LEGEND


	Tighten Fastener
	Apretar elemento de fijación
	Befestigungsteil festziehen
	Apertar fixador
	Serrare il fissaggio
	Bevestiging vastdraaien
Serrez les fixations	


	Loosen Fastener
	Aflojar elemento de fijación
	Befestigungsteil lösen
	Desapertar fixador
	Allentare il fissaggio
	Bevestiging losdraaien
Desserrez les fixations	


	Phillips Screwdriver
	Destornillador Phillips
	Kreuzschlitzschraubendreher
	Chave de fendas Phillips
	Cacciavite a stella
	Kruiskopschroevendraaier
Tournevis à pointe cruciforme	

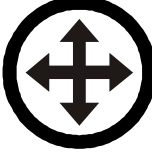
	Open-Ended Wrench
	Llave de boca
	Gabelschlüssel
	Chave de bocas
	Chiave a punte aperte
	Steeksleutel
Clé à fourche	


	By Hand
	A mano
	Von Hand
	Com a mão
	A mano
	Met de hand
À la main	


	Hex-Head Wrench
	Llave de cabeza hexagonal
	Sechskantschlüssel
	Chave de cabeça sextavada
	Chiave esagonale
	Zeskantsleutel
Clé à tête hexagonale	


	Pencil Mark
	Marcar con lápiz
	Stiftmarkierung
	Marcar com lápis
	Segno a matita
	Potloodmerkteken
Marquage au crayon	

	Drill Hole
	Perforar
	Bohrloch
	Fazer furo
	Praticare un foro
	Gat boren
Percez un trou	

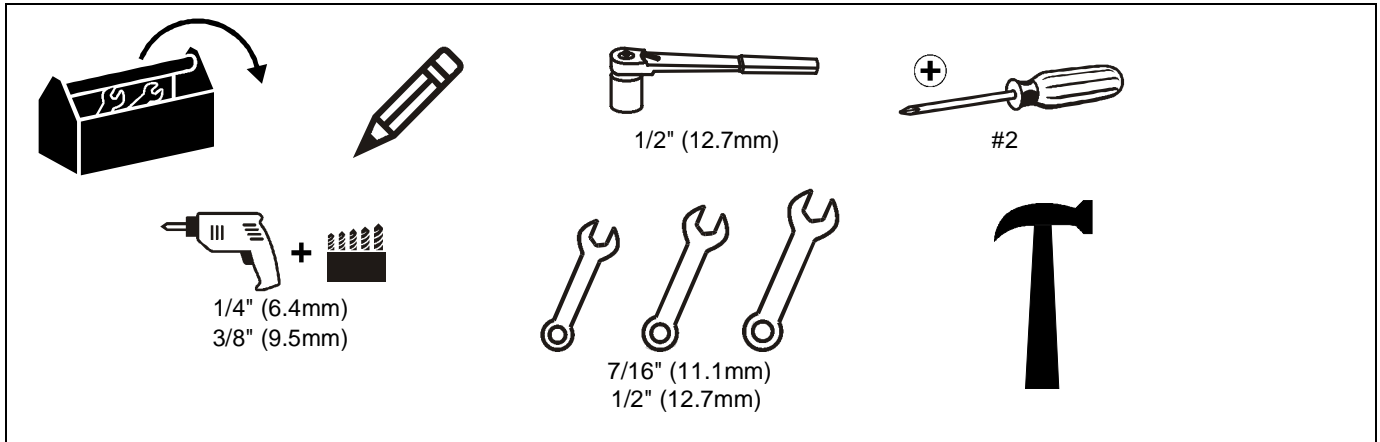
	Adjust
	Ajustar
	Einstellen
	Ajustar
	Regolare
	Afstellen
Ajuster	

	Remove
	Quitar
	Entfernen
	Remover
	Rimuovere
	Verwijderen
Retirez	

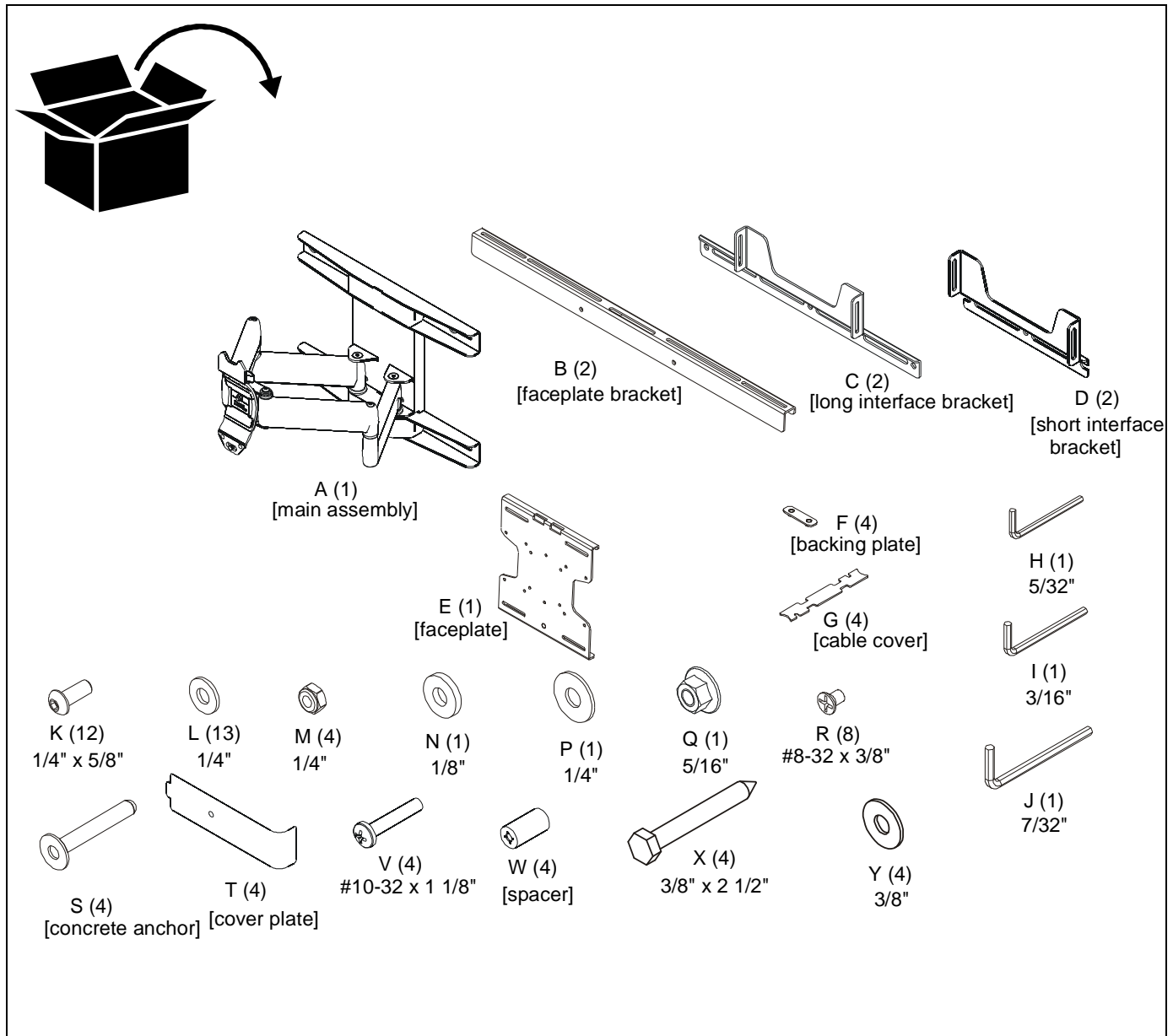
	Optional
	Opcional
	Optional
	Opcional
	Opzionale
	Optie
En option	

	Security Wrench
	Llave de seguridad
	Sicherheitsschlüssel
	Chave de segurança
	Chiave di sicurezza
	Veiligheidssleutel
Clé de sécurité	

TOOLS REQUIRED FOR INSTALLATION



PARTS



ASSEMBLY and INSTALLATION

Install Arm Assembly/Wall Plate to Wall Wood Stud Installation

⚠ WARNING: Failure to provide adequate structural strength for this component can result in serious personal injury or damage to equipment! It is the installer's responsibility to make sure the structure to which this component is attached can support five times the combined weight of all equipment. Reinforce the structure as required before installing the component.

IMPORTANT ! : The SB-WM46 mounts are designed to be mounted to a 2" x 4" wood studs (16" on center) wall.

1. Level arm assembly/wall plate (A) and mark locations of pilot holes. (See Figure 1)
2. Drill 1/4" (6.4mm) diameter pilot holes into wood supports. (See Figure 1)
3. Install 3/8 X 2 1/2" lag screws (X) through flat washers (Y), arm assembly/wall plate (A), into wood supports. (See Figure 1)

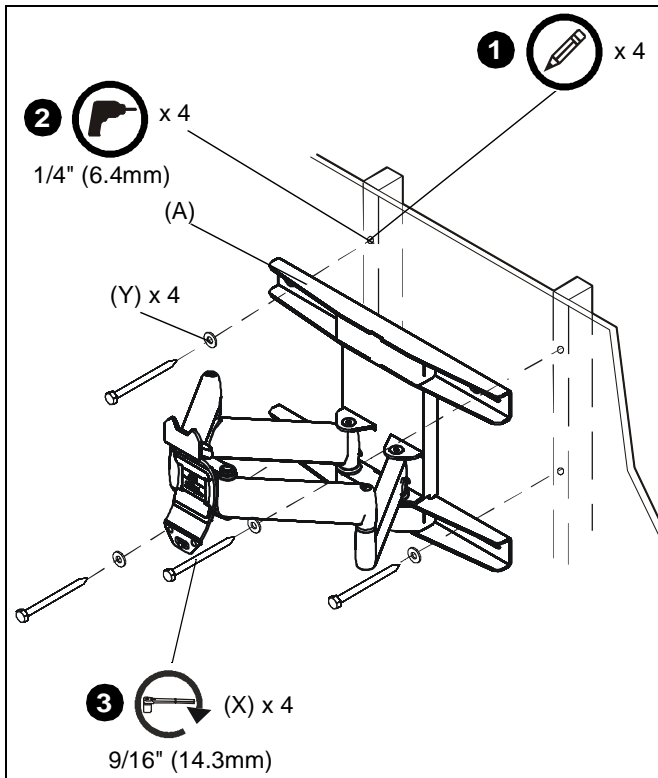


Figure 1

Concrete Installation

⚠ WARNING: Failure to provide adequate structural strength for this component can result in serious personal injury or damage to equipment! It is the installer's responsibility to make sure the structure to which this component is attached can support five times the combined weight of all equipment. Reinforce the structure as required before installing the component.

IMPORTANT ! : The SB-WM46 mounts are designed to be mounted to an 8" concrete wall.

1. Level wall plate and mark locations of pilot holes. (See Figure 2)
2. Drill 3/8" (9.5mm) diameter holes into concrete. (See Figure 2)
3. Install anchors (S) into holes. (See Figure 2)

⚠ CAUTION: Do not overtighten lag screws (X)!

4. Install 3/8 x 2 1/2" lag screws (X) through flat washers (Y), wall plate (A), into anchors (S). (See Figure 2)

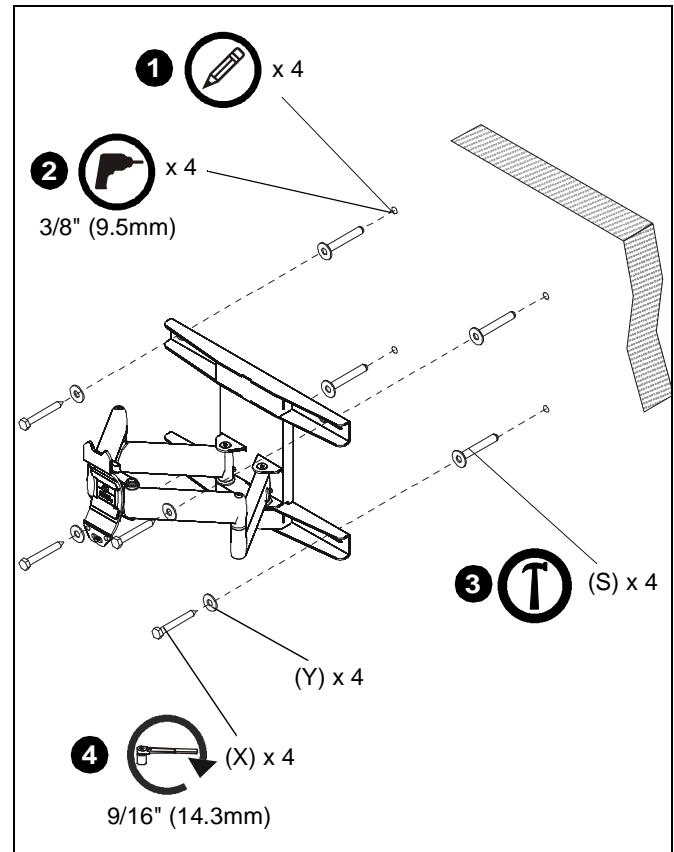


Figure 2

Cover Plate Installation

1. Install four cover plates (T) using four 10-32 x 1 1/8" Phillips pan machine screws (V) and four spacers (W). Insert screw into cover plate and add the spacer before inserting the cover plate tab into the arm assembly/wall plate. (See Figure 3)

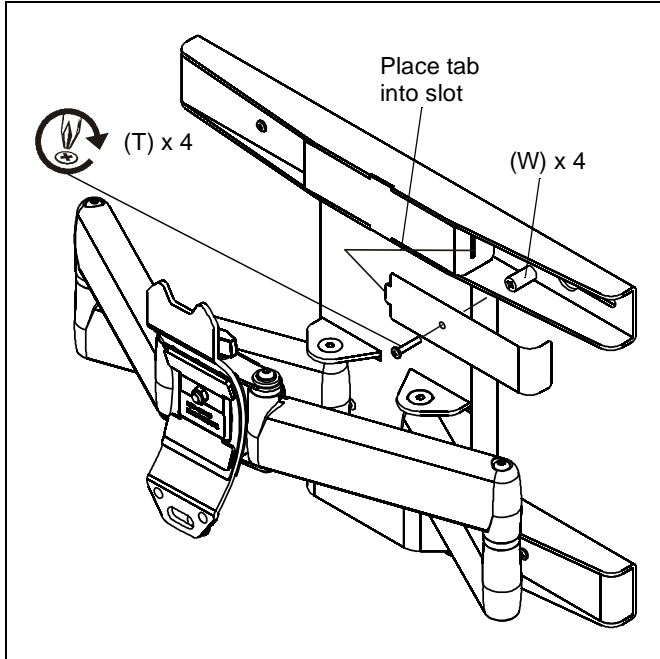


Figure 3

Installing Interface Brackets to Display

1. Place display face down on a soft, non-abrasive surface.
2. Remove four sets of bolts and washers that were shipped attached to the back of the display. Set hardware aside for re-use. (See Figure 4)



WARNING: The bolts and washers are designed to be permanent fixtures on the television. Never remove the bolts or washers except for installation of the wall mount! Always replace bolts immediately. Installing the television without the bolts and washers may result in serious personal injury and/or damage the television!

3. Place interface brackets (C or D) on the back of the display so that they align with the holes on the display. Use removed screws and washers to loosely attach interface brackets to display. (See Figure 5)

NOTE: Use short brackets (D) if installing to 46" or 55" models and long interface brackets (C) if installing to 65" models.

4. Align bottom of the brackets with rubber sealing gasket and the top of the brackets with the top of the washer. (See Figure 5)

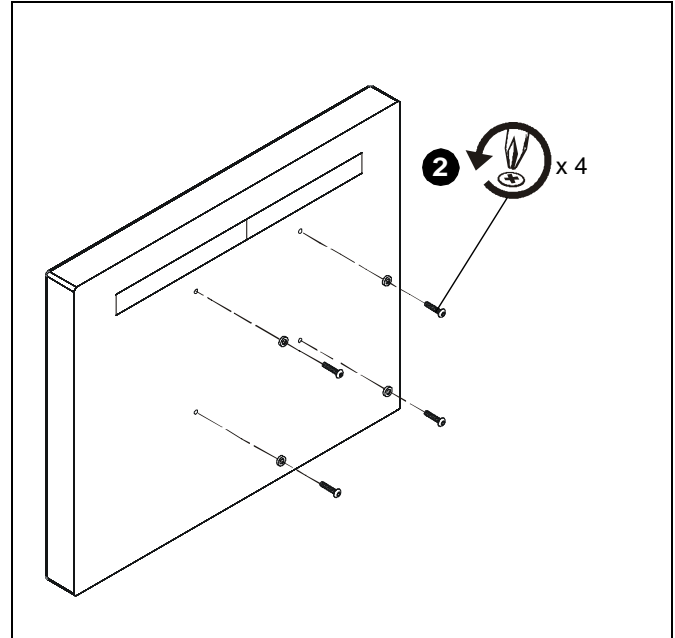


Figure 4

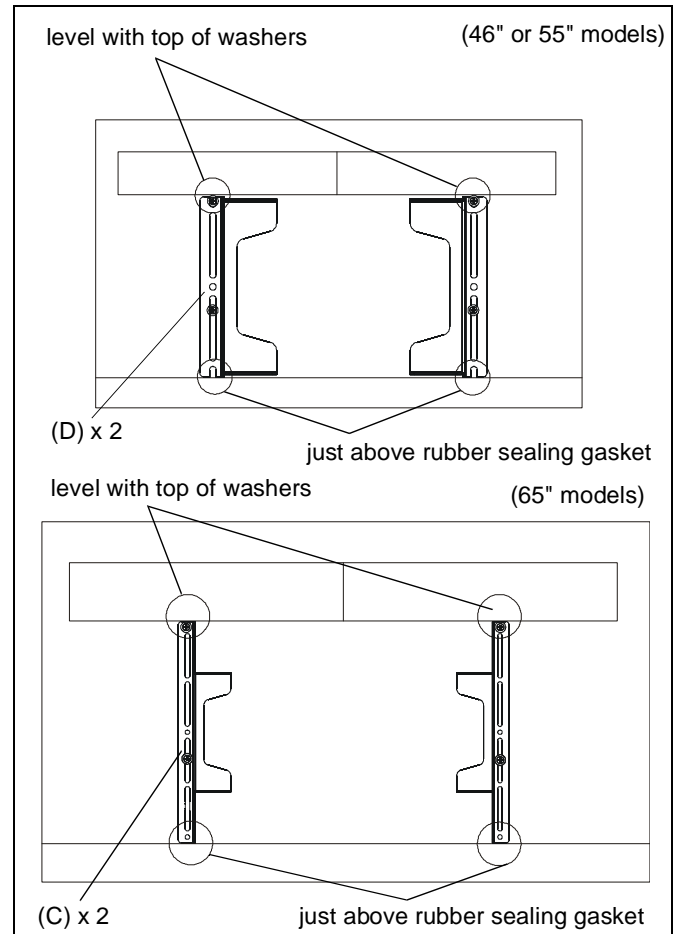


Figure 5

- Use four removed screws and washers to secure interface brackets (C or D) to back of display. (See Figure 6)

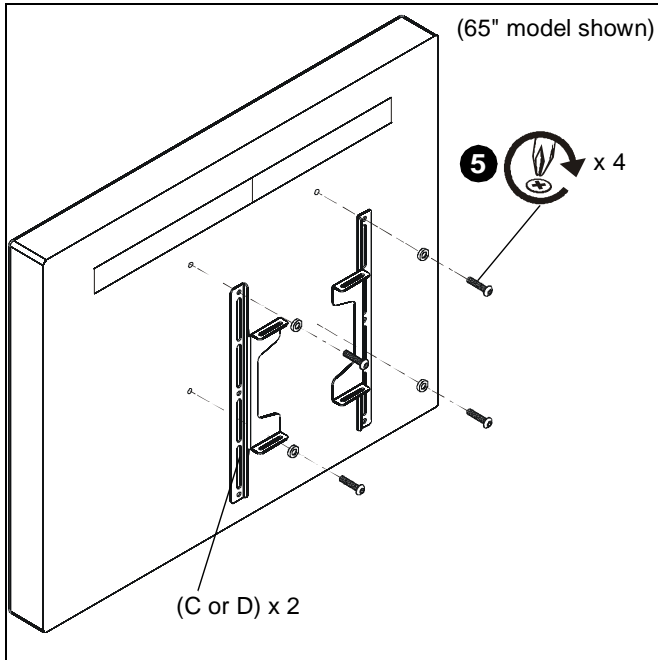


Figure 6

Install Faceplate Brackets to Faceplate

- Align faceplate brackets (B) with faceplate (E) and slide into position. (See Figure 7)

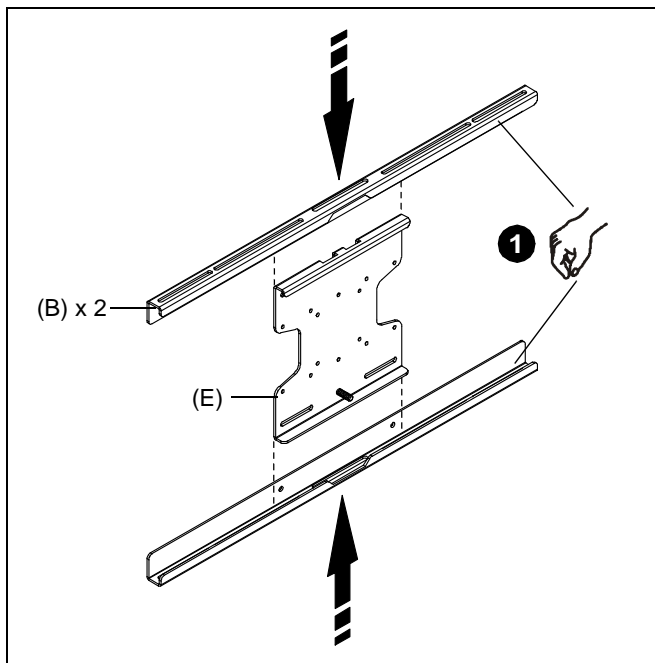


Figure 7

- Using hex key (H), install four 1/4 x 5/8" button head cap screws (K) through four 1/4" washers (L), faceplate (E), faceplate brackets (B), into four 1/4" nuts (M). Tighten securely. (See Figure 8)

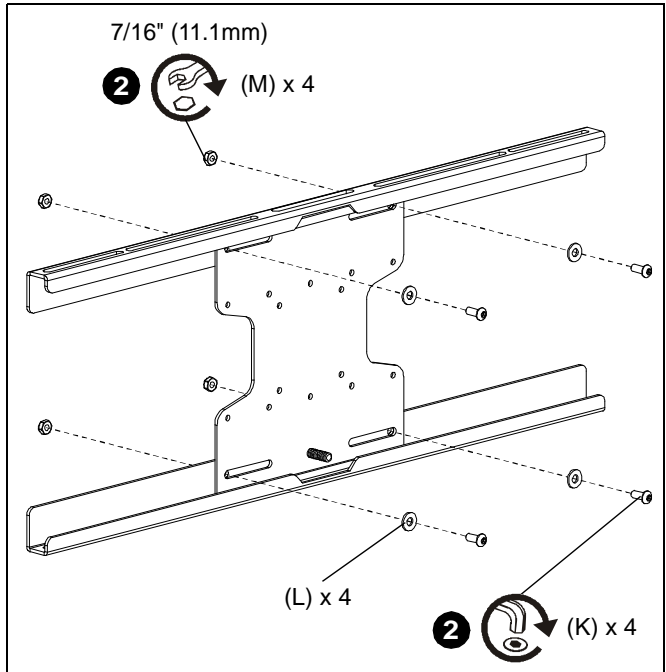


Figure 8

Install Faceplate to Display

- Align faceplate brackets (B) with interface brackets (C or D), aligning the middle thumb screw on bottom of display with the faceplate bolt. (See Figure 9) and (See Figure 10)

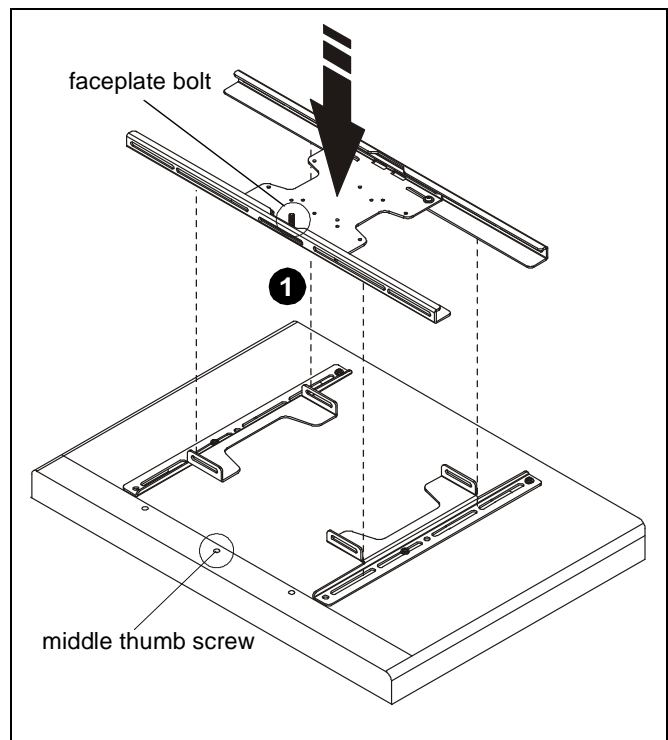


Figure 9

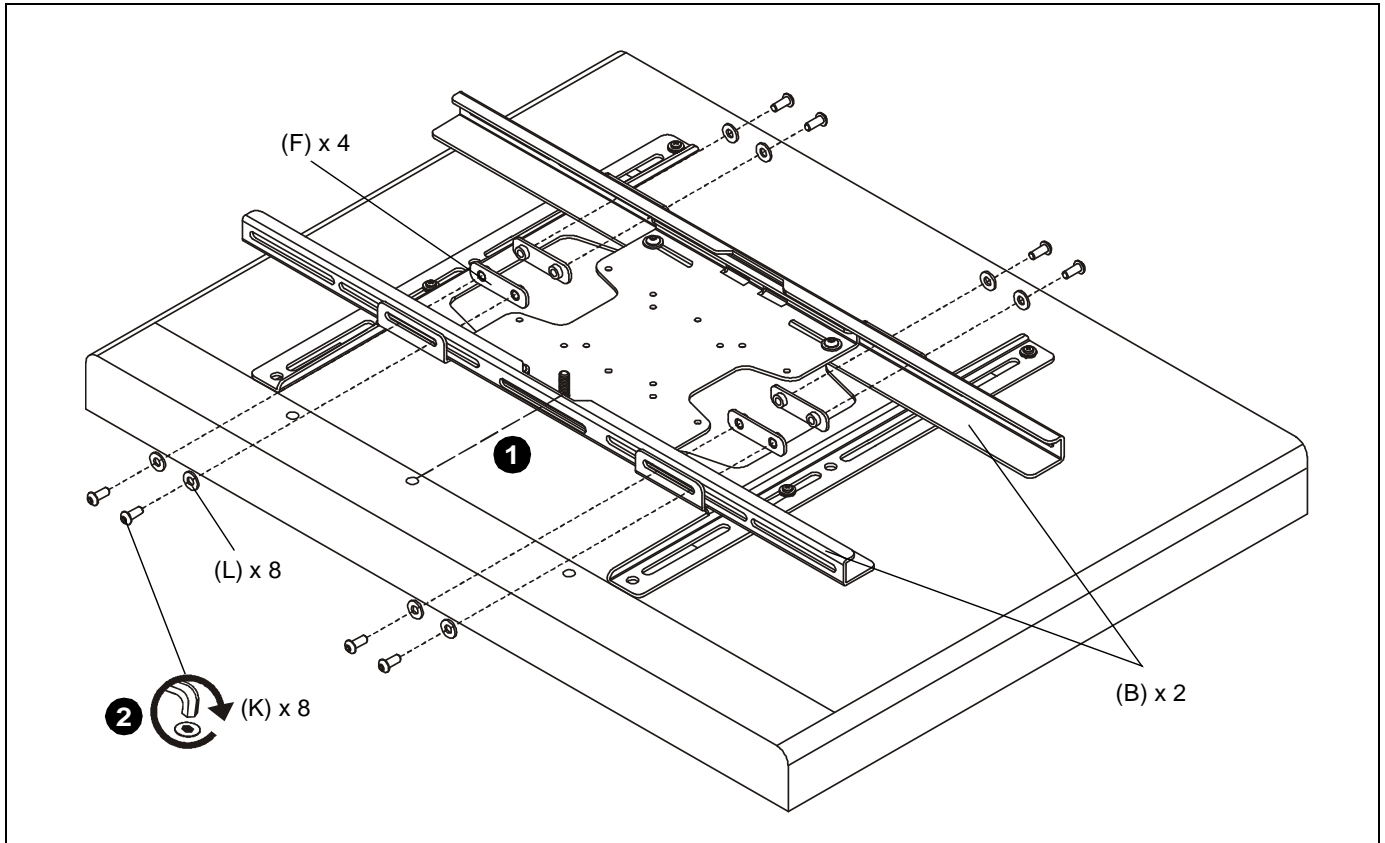


Figure 10

- Using hex key (H), install eight 1/4 x 5/8" screws (K) through eight 1/4" washers (L) and faceplate brackets (B) into four backing plates (F). Tighten securely. (See Figure 10)

Display Installation



WARNING: Exceeding the weight capacity can result in serious personal injury or damage to equipment! It is the installer's responsibility to make sure the combined weight of all components located between the SB-WM46 up to (and including) the display does not exceed 150 lbs (68 kg).

- Align slots on upper portion of faceplate (E) with tabs on upper portion of arm assembly (A). Lower display into place, pivoting threaded stud on faceplate (E) into slot on arm assembly (A). (See Figure 11)
- Install spacer (N), washer (P), and nut (Q) onto threaded stud. Tighten securely. (See Figure 11)

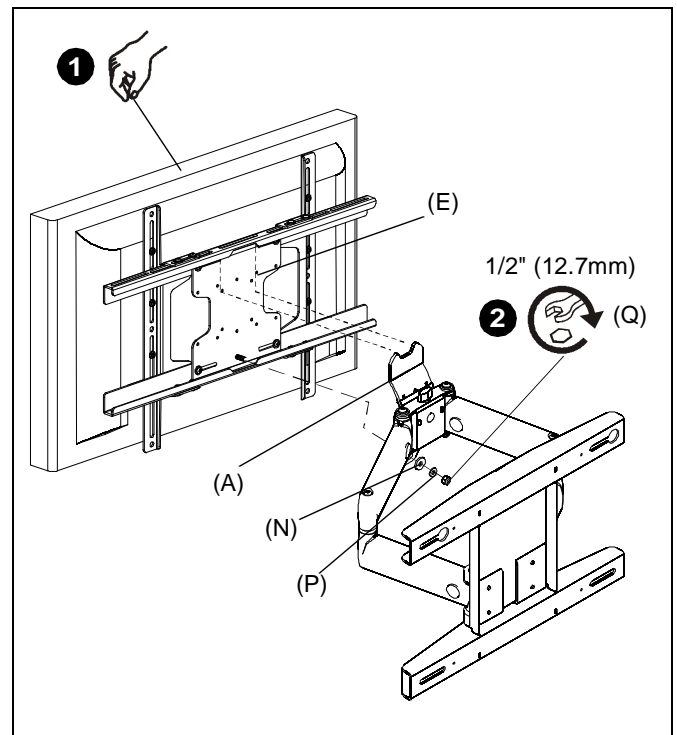


Figure 11

Cable Management

CAUTION: Ensure that adequate cable slack exists for movement of display, and that cables will not be pinched by installation of covers (G) or screws (R).

1. Carefully insert cables into cavities located in lower portions of mount arms. (See Figure 12)
2. Install each cover (G) with two screws (R). (See Figure 12)

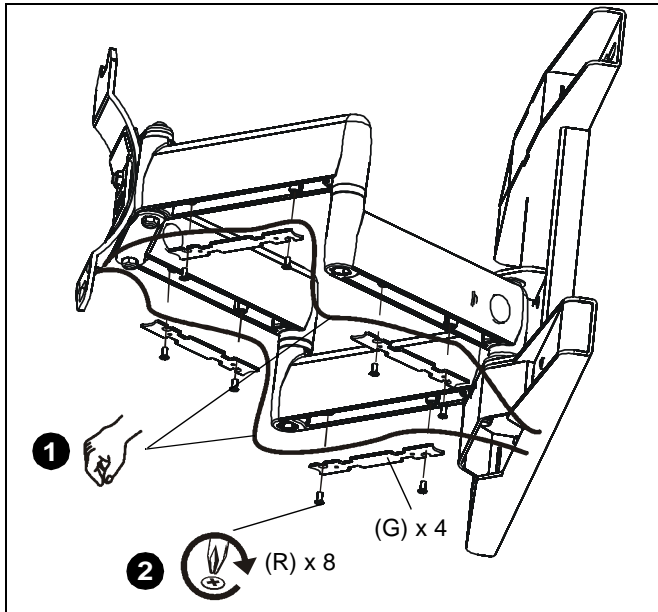


Figure 12

Adjustments

Pitch

1. Loosen pitch adjustment knob. (See Figure 13)
2. Tilt display to desired angle (-15° to +15°). (See Figure 13)
3. Tighten pitch adjustment knob. (See Figure 13)

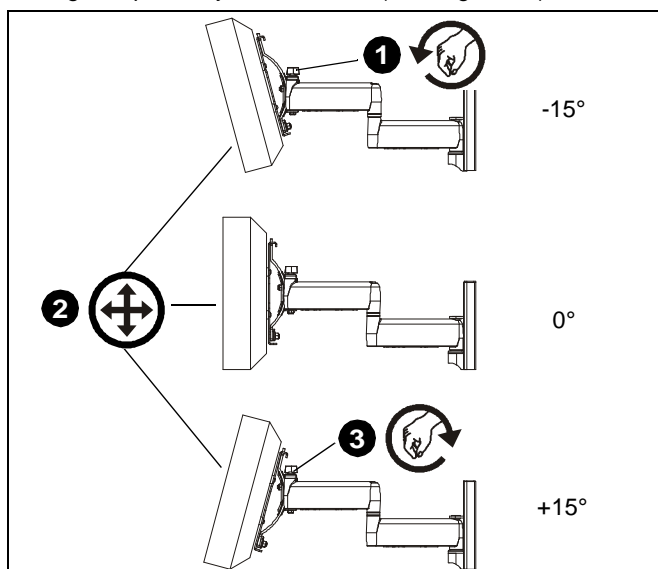


Figure 13

Extension and Swivel Tension

WARNING: Excessive loosening or tightening of adjustment screws can result in serious personal injury or damage to equipment!

1. Using hex keys (I, J), loosen or tighten adjustment screws as required to achieve desired tension. (See Figure 14)

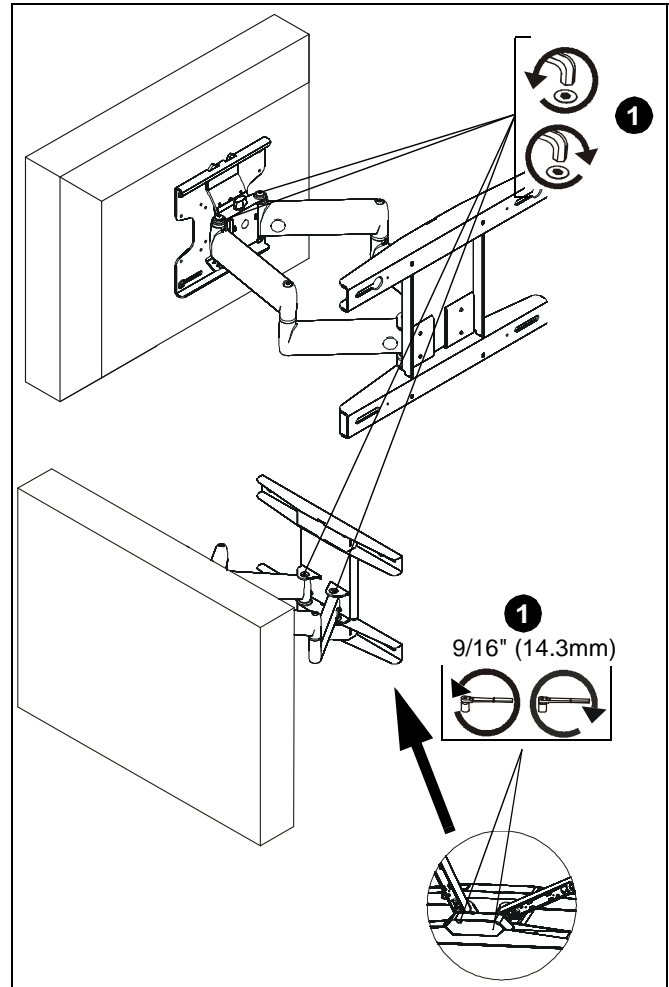


Figure 14

SunBriteTV[®]

8800-002156 Rev00
04/12

SunBriteTV, LLC

2001 Anchor Court
Thousand Oaks, CA 91320

866-357-8688

www.sunbritev.com



Free Manuals Download Website

<http://myh66.com>

<http://usermanuals.us>

<http://www.somanuals.com>

<http://www.4manuals.cc>

<http://www.manual-lib.com>

<http://www.404manual.com>

<http://www.luxmanual.com>

<http://aubethermostatmanual.com>

Golf course search by state

<http://golfingnear.com>

Email search by domain

<http://emailbydomain.com>

Auto manuals search

<http://auto.somanuals.com>

TV manuals search

<http://tv.somanuals.com>