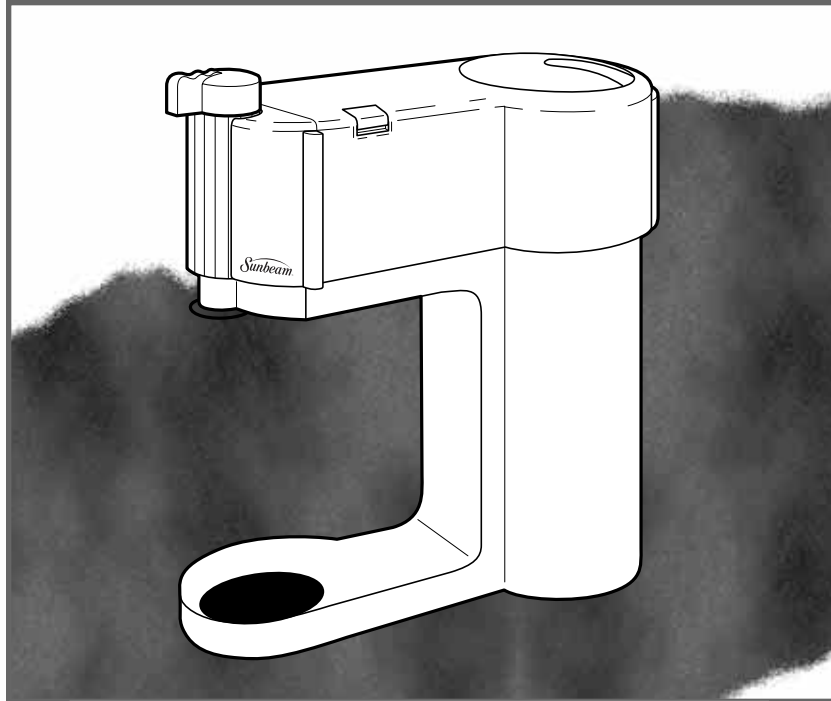


Sunbeam®



MODELS
MODÈLES
MODELOS
MODELOS

4742 & 4743 (SHOWN)

**Instruction Manual and Recipe Book
HOME SOFT SERVE™ ICE CREAM AND FROZEN YOGURT MACHINE**

**Mode d'Emploi et Livre de Recettes
MACHINE POUR CRÈME GLACÉE ET YOGOURT GLACÉ HOME SOFT SERVE™**

**Manual de Instrucciones y Libro de Recetas
MÁQUINA PARA PREPARAR HELADOS CREMOSOS
Y YOGHURT CONGELADO HOME SOFT SERVE™**

**Manual de Instruções e Livro de Receitas
MÁQUINA DE SORVETE HOME SOFT SERVE™
E IOGURTE CONGELADO**

CONGRATULATIONS!

Enjoy soft serve ice cream and frozen yogurt *at home* with your new Home Soft Serve™ Machine!

We've done everything we can to make it as easy and simple as possible. Our instruction book is designed to give you helpful information, tips and a host of great recipes.

DETAILS ON YOUR NEW HOME SOFT SERVE™ MACHINE:

- Quick, easy and convenient to use!
- Makes 6 – 8 full-size cones in approximately 20 minutes.
- Use the enclosed pre-mix or make your own great tasting ice cream and frozen yogurt using the enclosed recipe book and common kitchen ingredients!
- Clean-up is quick and easy: all parts that come in contact with the ice cream are removable and dishwasher-safe (on top rack only; however, Mixing Canister should be washed with warm soapy water – not in the dishwasher due to high heat of drying cycle).
- The valve has been pre-lubricated during manufacture to ensure smooth operation. If the valve becomes tight, smooth operation can be restored by a light application of liquid or spray-on cooking oil.
- Most home freezer compartments maintain a temperature between 0°F and 10°F. This range is necessary to insure proper freezing of the Mixing Canister. Thicker ice cream textures can be obtained by reducing your freezer temperature setting.

IMPORTANT SAFEGUARDS

When using electrical appliances, basic safety precautions must always be followed, including the following:

- READ ALL INSTRUCTIONS.
- Make sure the cord is not loose nor presents the possibility of someone tripping over it.
- DO NOT MOVE THE SOFT SERVE MACHINE WHILE IT IS TURNED "ON".
- CLOSE SUPERVISION IS NECESSARY WHEN THE APPLIANCE IS IN USE.
- Disconnect the Soft Serve Machine from the wall outlet when the unit is not in use and before cleaning. **NOTE: MAKE SURE THE SOFT SERVE MACHINE IS TURNED OFF "O" BEFORE DISCONNECTING.**
- To protect against risk of electrical shock, do not immerse the appliance or plug in water or other liquids.
- This appliance should not be used by unsupervised children. Close supervision is always necessary when this or any other appliance is used near children.

- Do not operate this or any appliance with a frayed or damaged cord or plug, or after the appliance is dropped or has been damaged in any manner. Return the appliance to the nearest Authorized Service Station for examination, repair or electrical or mechanical adjustment.
- Do not use attachments not recommended by the manufacturer. They may cause fire, electrical shock or injury.
- Do not use outdoors or for commercial purposes. Do not use this appliance for other than the intended use.
- Do not let the cord hang over the edge of a table or counter, or touch hot surfaces.
- Never freeze mixing canister in dry ice or other medium that can achieve temperatures of -30° F or lower as this can damage the Canister.
- Do not place the appliance near a hot gas or electric burner or in a heated oven.
- Do not place any items on top of or next to this appliance at any time.
- Solid foods, fruits, nuts, candy or other solid items must not be inserted into the Home Soft Serve™ Machine as they may get stuck in the Dispensing Valve or Mixing Auger and block or hamper the flow of soft serve coming out (all ingredients must be liquefied in a blender before being added to the machine).
- Do not clean with metal scouring pads or any abrasive materials. (Pieces can break off the pad and touch electrical parts resulting in a risk of electrical shock).
- Do not place the Home Soft Serve™ Machine on an unstable cart, stand or table. The Home Soft Serve™ Machine may fall, causing injury to child or adult, and serious damage to the appliance. Use only with a cart or stand recommended by the manufacturer, or sold with the Home Soft Serve™ Machine.

SAVE THESE INSTRUCTIONS

This Unit for Household Use Only

A short, power-supply cord is provided to reduce the risk of becoming entangled in or tripping over a longer cord. Extension cords may be used if care is exercised in their use. If an extension cord is used, the marked electrical rating of the extension cord should be at least as great as the electrical rating of the appliance. The cord should be arranged so that it will not drape over the countertop or tabletop where it can be pulled on by children or tripped over unintentionally.

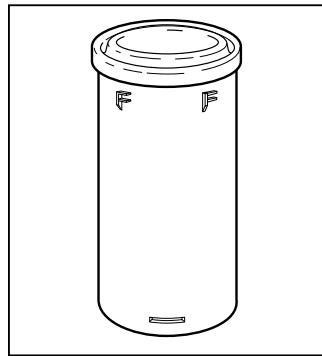
FOR UNITS PURCHASED IN THE U.S. AND CANADA ONLY:

To reduce the risk of electrical shock, this appliance has a polarized plug (one blade is wider than the other). This plug fits a polarized outlet only one way; if the plug does not fit fully into the outlet, reverse the plug. If it still does not fit, contact a qualified electrician. Do not attempt to defeat this safety feature.

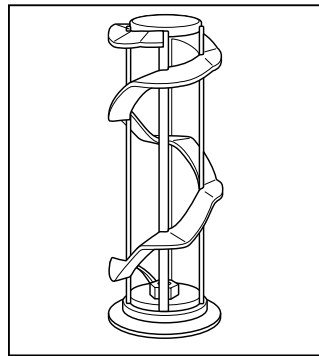
EASY-TO-USE SOFT SERVE INSTRUCTIONS

BEFORE USING FOR THE FIRST TIME

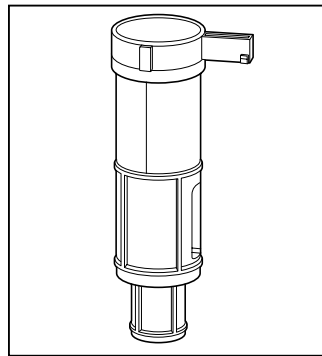
After unpacking the unit, wash the Mixing Canister, Mixing Auger, Valve and the machine's Face Panel Assembly in warm, soapy water (all but the Mixing Canister are also top-rack dishwasher-safe) and then dry thoroughly (especially the Mixing Canister). Then place the Mixing Canister in your freezer and pre-freeze for at least 24 hours before use; you may also choose to simply store your canister in the freezer so that it is always ready to make ice cream! Then you can have soft serve at home whenever you like!



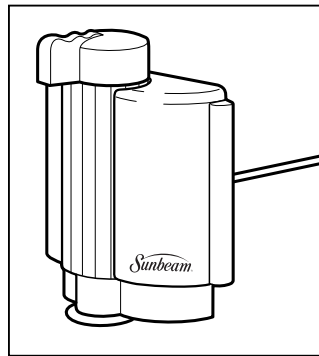
Mixing Canister



Mixing Auger



Valve



Face Panel Assembly

FREEZING THE MIXING CANISTER

The most important step in making SOFT SERVE is to make sure that the Mixing Canister is properly frozen. The Mixing Canister requires thorough freezing. For best results, the Mixing Canister should be placed in the back of your freezer, where the temperature is coldest.

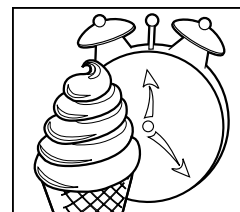
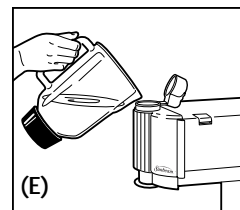
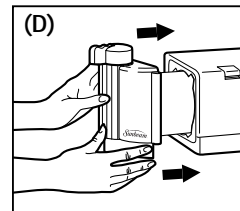
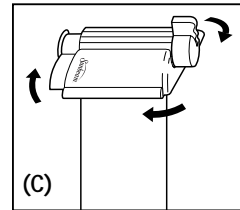
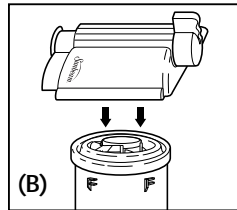
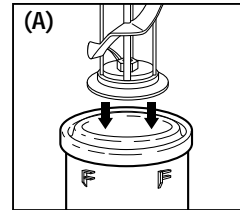
Make sure the Mixing Canister is thoroughly dried and place in back of freezer or where freezer is the coldest.

SIMPLE-TO-USE INSTRUCTIONS FOR MAKING SOFT SERVE AT HOME!!!

5 EASY STEPS:

IMPORTANT: Pre-freeze Mixing Canister for 24 Hours before use.

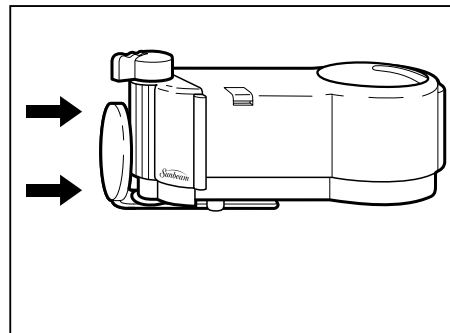
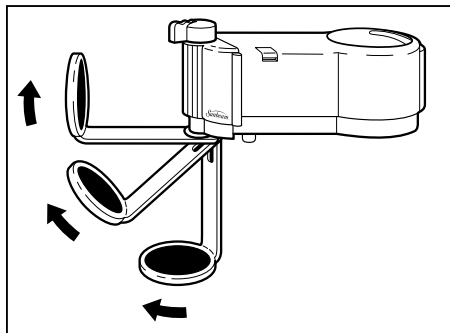
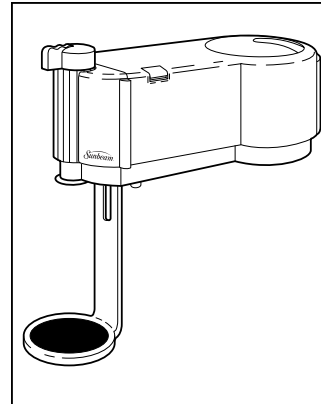
1. Mix one bag of pre-mix with 2-1/2 cups of chilled water (or use one of the enclosed recipes) and mix thoroughly.
 2. Remove Soft Serve Mixing Canister from freezer and place upright on a countertop. Slide the white Mixing Auger, solid end down, slowly into the Canister until it rests snugly on the bottom of the Canister (A). Place the machine's face panel onto the top of the Mixing Canister (B), making sure the silver rod goes into the center of the Mixing Auger. Apply downward pressure as you twist it clockwise to lock it into place (C).
 3. Slide the entire assembly into the machine until it clicks into place (D).
 4. Turn blue dispensing knob on top of the machine to "FILL" and then lift the knob to reveal the "fill" opening. **IMPORTANT: Turn machine "ON" before pouring in mixture** (you may hear a slight churning sound during operation; this is normal and simply represents the motor and gear driving the mixing auger inside the unit).
 5. Pour ingredients into the opening (E), close the cap and turn the knob to the "MIX" position. In 20 – 25 minutes, turn blue dispensing knob to "Serve" and you'll have Soft Serve! Do not turn the machine's power switch to "OFF" until you have finished dispensing all contents of the Soft Serve Machine.
- When finished dispensing all of the contents of the Soft Serve machine, turn machine "OFF" and unplug it (while running, the machine will keep the Soft Serve frozen and ready to dispense for approximately 30 minutes after the ice cream initially freezes; you can then store any excess Soft Serve in a freezer-safe storage container for later consumption). Press the blue "Chamber Release" button on top of machine to remove Mixing Canister assembly. Then twist Face Panel counter-clockwise to disassemble Mixing Assembly; turn blue dispensing knob to "Remove" position and pull up to remove Valve Assembly for cleaning. (If the Valve ever becomes difficult to turn or remove, smooth operation can be restored by applying a light application of liquid or spray-on cooking oil). All pieces can then be washed with warm, soapy water (all but Mixing Canister are top-rack dishwasher-safe). Always make sure Canister is dried thoroughly before placing in freezer.



CAUTION: NEVER IMMERSE THE MAIN BODY OF THE UNIT IN WATER SINCE THIS IS WHERE THE MOTOR AND ELECTRICAL COMPONENTS ARE LOCATED; WATER CAN DAMAGE THEM.

Note: For Counter-Top Model Only (Model 4742):

If you have a counter-top model, make sure the unit's dispensing valve is positioned just off the edge of your counter or table top and that the drip tray is attached as seen in the illustration at right. When finished, the drip tray can be raised to its horizontal position and slid under the unit for storage (as seen at right and below).



CAUTION: NEVER IMMERSE THE MAIN BODY OF THE UNIT IN WATER SINCE THIS IS WHERE THE MOTOR AND ELECTRICAL COMPONENTS ARE LOCATED; WATER CAN DAMAGE THEM.

HELPFUL HINTS

- Temperatures from freezer to freezer differ. If your freezer is set at a middle to warm setting, the Canister will not freeze. The Canister freezes at 7°F. If your ice cream is too soft or has not hardened, check your freezer temperature and adjust settings to maintain freezer temperatures below 5°F (coldest setting).
- The Mixing Canister must be pre-frozen in the freezer for at least 24 hours prior to use. If the Canister is used with less than the 24-hour freeze time, the ice cream may not freeze.
- The valve has been pre-lubricated during manufacture to ensure smooth operation. If the valve is washed in a dishwasher, it may become tight. Smooth operation can be restored by a light application of liquid or spray-on cooking oil.
- There is a circular ridge on the back side of the Face Panel Assembly. The large, black gasket should be placed on that circular ridge. If the gasket is not on the circular ridge, it will make the assembly of the Mixing Canister to the Face Panel Assembly difficult and may result in ice cream leaking out.
- Make sure the gasket is dry before assembling the Face Panel Assembly to the Mixing Canister. If the gasket is wet it will freeze very quickly and will make the assembly of the unit difficult. Additionally, if assembly of the Face Panel onto the Canister ever becomes difficult, smooth operation can be restored by a light application of liquid or spray-on cooking oil on the black gasket.
- The Valve must be inserted until it rests firmly at the bottom of the Face Panel Assembly to ensure proper sealing.
- Ice cream in the Mixing Canister thickens with time. If the Soft Serve™ Machine is left on unattended for more than 30 – 35 minutes, the ice cream could thicken too much and potentially stall the machine. If the machine stalls, it will not dispense ice cream.
- Make sure the Mixing Canister is completely dry after washing it. If the Canister is wet when it is put in the freezer, the Canister gears may freeze and prevent the Auger from turning inside the unit.
- **VERY IMPORTANT:** The ice cream maker must be turned "ON" prior to pouring in the ice cream mix. If the ice cream mix is poured into the Canister before the unit is turned on, it will freeze rapidly, causing the Auger not to turn.
- If the canister does not latch when inserted into unit, take the Canister out of the unit and turn the gear behind the Canister slightly and insert back into ice cream maker. This should allow proper engagement.
- The metal rod as a slight bend on it. Make sure that the bend is oriented toward the middle of the Auger. If the bend is facing the outside of the Auger, the rod will hit the Auger as the Auger turns making a rattling/clicking sound.
- Make sure the metal rod is on the Face Panel Assembly before assembling the unit together to make ice cream. If the rod is left out, the unit will not mix and the ice cream will settle to the bottom of the Canister.

EASY-TO-MAKE RECIPES FOR SOFT SERVE AT HOME!!!

SOFT SERVE ICE CREAM RECIPES

Vanilla

12 oz. Whipping Cream
1/2 Cup Sugar

12 oz. Whole Milk
1-1/2 Teaspoon Vanilla Extract

Pour cream, milk, sugar and vanilla into a mixing bowl. Stir ingredients by hand until sugar is dissolved. Follow Steps 1 – 3 in the instructions, turn machine "On" and then pour the mixed ingredients into the "Fill" opening on the top of the machine (see Steps 4 – 5).

Chocolate

12 oz. Whipping Cream
3/4 Cup Sugar
3 Tablespoons Cocoa Powder

12 oz. Whole Milk
1 Teaspoon Vanilla Extract

Pour cream, milk, sugar, vanilla and cocoa powder into a mixing bowl. Stir ingredients by hand until sugar is dissolved. Follow Steps 1 – 3 in the instructions, turn machine "On" and then pour the mixed ingredients into the "Fill" opening on the top of the machine (see Steps 4 – 5).

Chocolate Almond

12 oz. Whipping Cream
3/4 Cup Sugar
3 Tablespoons Cocoa Powder

12 oz. Whole Milk
1/2 Teaspoon Almond Extract

Pour cream, milk, sugar, almond extract and cocoa powder into a mixing bowl. Stir ingredients by hand until sugar is dissolved. Follow Steps 1 – 3 in the instructions, turn machine "On" and then pour the mixed ingredients into the "Fill" opening on the top of the machine (see Steps 4 – 5).

Strawberry

8 oz. Frozen, Unsweetened Strawberries (Puréed) 4 oz. Whipping Cream
10 oz. Whole Milk 3/4 Cup Sugar

Purée strawberries in a blender. Pour puréed strawberries, cream, milk and sugar into a mixing bowl. Stir ingredients by hand until sugar is dissolved. Follow Steps 1 – 3 in the instructions, turn machine "On" and then pour the mixed ingredients into the "Fill" opening on the top of the machine (see Steps 4 – 5).

Peach

8 oz. Frozen, Unsweetened Peaches (Puréed) 4 oz. Whipping Cream
10 oz. Whole Milk 3/4 Cup Sugar

Purée peaches in a blender. Pour puréed peaches, cream, milk and sugar into a mixing bowl. Stir ingredients by hand until sugar is dissolved. Follow Steps 1 – 3 in the instructions, turn machine "On" and then pour the mixed ingredients into the "Fill" opening on the top of the machine (see Steps 4 – 5).

Blueberry

8 oz. Frozen, Unsweetened Blueberries (Puréed) 4 oz. Whipping Cream
10 oz. Whole Milk 3/4 Cup Sugar

Purée blueberries in a blender. Pour puréed blueberries, cream, milk and sugar into a mixing bowl. Stir ingredients by hand until sugar is dissolved. Follow Steps 1 – 3 in the instructions, turn machine "On" and then pour the mixed ingredients into the "Fill" opening on the top of the machine (see Steps 4 – 5).

Pineapple

1 Cup Unsweetened, Canned Pineapple (Puréed) 6 oz. Whipping Cream
10 oz. Whole Milk 3/4 Cup Sugar

Purée pineapple in a blender. Pour puréed pineapple, cream, milk and sugar into a mixing bowl. Stir ingredients by hand until sugar is dissolved. Follow Steps 1 – 3 in the instructions, turn machine "On" and then pour the mixed ingredients into the "Fill" opening on the top of the machine (see Steps 4 – 5).

Peach Dream

8 oz. Peach Soda
8 oz. Whipping Cream
8 oz. Whole Milk
1/2 Cup Sugar

Pour soda, cream, milk and sugar into a mixing bowl. Stir ingredients by hand until sugar is dissolved. Follow Steps 1 – 3 in the instructions, turn machine "On" and then pour the mixed ingredients into the "Fill" opening on the top of the machine (see Steps 4 – 5).

Strawberry Dream

8 oz. Strawberry Soda
8 oz. Whipping Cream
8 oz. Whole Milk
1/2 Cup Sugar

Pour soda, cream, milk and sugar into a mixing bowl. Stir ingredients by hand until sugar is dissolved. Follow Steps 1 – 3 in the instructions, turn machine "On" and then pour the mixed ingredients into the "Fill" opening on the top of the machine (see Steps 4 – 5).

Cinnamon-Banana-Almond

1 Banana (Purée)
8 oz. Whipping Cream
8 oz. Whole Milk
2/3 Cup Sugar
1 Teaspoon Cinnamon
1 Tablespoon Lemon Juice
1 Teaspoon Almond Extract

Purée banana in a blender. Pour purée banana, cream, milk, sugar, cinnamon, lemon juice and almond extract into a mixing bowl. Stir ingredients by hand until sugar is dissolved. Follow Steps 1 – 3 in the instructions, turn machine "On" and then pour the mixed ingredients into the "Fill" opening on the top of the machine (see Steps 4 – 5).

Coffee

2 Tablespoons Instant Coffee*
10 oz. Whipping Cream
10 oz. Whole Milk
3/4 Cup Sugar

Pour coffee, cream, milk and sugar into a mixing bowl. Stir ingredients by hand until sugar is dissolved. Follow Steps 1 – 3 in the instructions, turn machine "On" and then pour the mixed ingredients into the "Fill" opening on the top of the machine (see Steps 4 – 5).

*If this is too strong, reduce to 1-1/2 tablespoons coffee.

Coffee Mocha

1 Tablespoon Instant Coffee
10 oz. Whipping Cream
10 oz. Whole Milk
3/4 Cup Sugar
1 Tablespoon Cocoa Powder

Pour coffee, cream, milk, sugar and cocoa powder into a mixing bowl. Stir ingredients by hand until sugar is dissolved. Follow Steps 1 – 3 in the instructions, turn machine "On" and then pour the mixed ingredients into the "Fill" opening on the top of the machine (see Steps 4 – 5).

Lemon

6 oz. Lemon Juice (bottled)
8 oz. Whipping Cream
8 oz. Whole Milk
3/4 Cup Sugar

Pour lemon juice, cream, milk and sugar into a mixing bowl. Stir ingredients by hand until sugar is dissolved. Follow Steps 1 – 3 in the instructions, turn machine "On" and then pour the mixed ingredients into the "Fill" opening on the top of the machine (see Steps 4 – 5).

SHERBET RECIPES

Lemon Sherbet

6 oz. Frozen Lemon Concentrate 18 oz. Whole Milk
2 Tablespoons Sugar 2 Drops Yellow Food Coloring (Optional)

Pour frozen concentrate, milk and sugar into a mixing bowl. Add food coloring if desired. Stir ingredients by hand until sugar is dissolved. Follow Steps 1 – 3 in the instructions, turn machine "On" and then pour the mixed ingredients into the "Fill" opening on the top of the machine (see Steps 4 – 5).

Strawberry Sherbet

6 oz. Frozen, Unsweetened Strawberries (Puréed) 16 oz. Whole Milk
1/2 Cup Sugar 2 Tablespoons Lemon Juice

Purée strawberries in a blender. Pour puréed strawberries, milk, sugar and lemon juice into a mixing bowl. Add food coloring if desired. Stir ingredients by hand until sugar is dissolved. Follow Steps 1 – 3 in the instructions, turn machine "On" and then pour the mixed ingredients into the "Fill" opening on the top of the machine (see Steps 4 – 5).

Orange Sherbet

6 oz. Frozen Orange Concentrate 18 oz. Whole Milk
2 Tablespoons Sugar

Pour frozen concentrate, milk and sugar into a mixing bowl. Add food coloring if desired. Stir ingredients by hand until sugar is dissolved. Follow Steps 1 – 3 in the instructions, turn machine "On" and then pour the mixed ingredients into the "Fill" opening on the top of the machine (see Steps 4 – 5).

DRINK RECIPES

Strawberry/Cranberry Freeze

(Freeze for 15 minutes only)

2 Cups Strawberry/Cranberry Juice**
1-2/3 Cup Whole Milk
3/4 Cup Sugar

Pour juice, milk and sugar into a mixing bowl. Stir ingredients by hand until sugar is dissolved. Follow Steps 1 – 3 in the instructions, turn machine "On" and then pour the mixed ingredients into the "Fill" opening on the top of the machine (see Steps 4 – 5).

****NOTE:** If using chilled juice, start checking machine after 7 minutes and dispense when mix has reached desired consistency.

Cranberry/Raspberry Freeze

(Freeze for 15 minutes only)

2 Cups Cranberry/Raspberry Juice**
1-2/3 Cup Whole Milk
3/4 Cup Sugar

Pour juice, milk and sugar into a mixing bowl. Stir ingredients by hand until sugar is dissolved. Follow Steps 1 – 3 in the instructions, turn machine "On" and then pour the mixed ingredients into the "Fill" opening on the top of the machine (see Steps 4 – 5).

****NOTE:** If using chilled juice, start checking machine after 7 minutes and dispense when mix has reached desired consistency.

FROZEN YOGURT RECIPES

Strawberry Yogurt

(Requires 25 minutes to freeze)

10 oz. Frozen, Unsweetened Strawberries (Puréed)
10 oz. Whole Milk
4 oz. Vanilla Yogurt
1/2 Cup Sugar

Purée strawberries in a blender. Pour puréed strawberries, milk, yogurt and sugar into a mixing bowl. Stir ingredients by hand until sugar is dissolved. Follow Steps 1 – 3 in the instructions, turn machine "On" and then pour the mixed ingredients into the "Fill" opening on the top of the machine (see Steps 4 – 5).

Raspberry Yogurt

(Requires 25 minutes to freeze)

10 oz. Frozen, Unsweetened Raspberries (Puréed)
10 oz. Whole Milk
4 oz. Vanilla Yogurt
1/2 Cup Sugar

Purée raspberries in a blender. Pour puréed raspberries, milk, yogurt and sugar into a mixing bowl. Stir ingredients by hand until sugar is dissolved. Follow Steps 1 – 3 in the instructions, turn machine "On" and then pour the mixed ingredients into the "Fill" opening on the top of the machine (see Steps 4 – 5).

Orange Yogurt

(Requires 25 minutes to freeze)

4 oz. Frozen Orange Concentrate
10 oz. Whole Milk
4 oz. Whipping Cream
4 oz. Vanilla Yogurt
1/2 Cup Sugar

Pour frozen concentrate, milk, whipping cream, yogurt and sugar into a mixing bowl. Stir ingredients by hand until sugar is dissolved. Follow Steps 1 – 3 in the instructions, turn machine "On" and then pour the mixed ingredients into the "Fill" opening on the top of the machine (see Steps 4 – 5).

2 YEAR LIMITED WARRANTY

Sunbeam Products Inc. warrants that, for a period of two years from date of purchase, this product shall be free of mechanical and electrical defects in material and workmanship. Our obligation hereunder is limited to repair or replacement, at manufacturer's option, of this product during the warranty period, provided that the product(s) purchased in the United States are sent postage prepaid directly to:

**SUNBEAM APPLIANCE SERVICE STATION
117 Central Industrial Row
Purvis, MS 39475**

Answers to questions regarding this warranty or your nearest U.S.A. authorized service location may be obtained by calling toll free 1-800-597-5978 or by writing to Sunbeam – Consumer Affairs at P.O. Box 948389, Maitland, Florida 32794-8389.

For products purchased in Canada please call to:

**SUNBEAM APPLIANCE SERVICE STATION (KND)
1-800-663-8623 or email us at
consumeraffairs@consumer.sunbeam.com**

Answers to questions regarding this warranty or your nearest Canadian authorized service location may be obtained by calling toll free in Canada 1-800-667-8623.

For warranty information or an authorized service location outside of the United States and Canada please see the warranty service card inserted in the product packaging.

**DO NOT RETURN THIS PRODUCT TO THE PLACE OF PURCHASE;
DOING SO MAY DELAY THE PROCESSING OF YOUR WARRANTY CLAIM.**

This warranty does not cover normal wear of parts or damage resulting from any of the following: negligent use or misuse of the product, use on improper voltage or current, use contrary to operating instructions, or disassembly, repair, or alteration by any person other than an authorized service center. Product repair or replacement as provided under this warranty is your exclusive remedy. Sunbeam Products Inc. shall not be liable for any incidental or consequential damages for breach of any expressed or implied warranty on this product. Except to the extent prohibited by applicable law, any implied warranty of merchantability or fitness for a particular purpose on this product is limited in duration to the duration of the above warranty. Some states and provinces do not allow the exclusion or limitation of incidental or consequential damages, or allow limitations on how long an implied warranty lasts, so the above limitations or exclusion may not apply to you. This warranty gives you specific legal rights, and you may also have other rights which vary state to state or province to province.

FÉLICITATIONS !

Appréciez les crèmes glacées et yaourts glacés Soft Serve à la maison avec votre machine Home Soft Serve™!

Nous avons fait tout ce que nous pouvons pour rendre cette tâche aussi simple et facile que possible. Notre manuel d'utilisation est dessiné pour vous donner des informations and conseils utiles ainsi que de nombreuses recettes excellentes.

DETAILS CONCERNANT VOTRE NOUVELLE MACHINE HOME SOFT SERVE™:

- Emploi facile, rapide et pratique!
- Pour préparer 6 à 8 grands cornets en 20 minutes environ.
- Utilisez le mélange inclus ou bien faites votre propre crème et yaourt glacés préférés en suivant l'une des recettes du livre de recettes inclus et les ingrédients communs dans toute cuisine.
- Le Nettoyage est facile et rapide. Toutes les pièces qui entrent en contact avec la crème glacée sont amovibles et prévues pour lave-vaisselle (râtelier du haut seulement; toutefois le bac de mixage devraient être lavés avec de l'eau savonneuse chaude - et non pas mis au lave-vaisselle à cause la température élevée du cycle de séchage).
- Pour garantir un fonctionnement optimal, la vanne a été prélubrifiée lors de sa fabrication. Si elle semble se durcir, il suffit d'appliquer une fine couche de liquide ou de vaporiser de l'huile de friture pour lui redonner son jeu habituel.
- La température de la plupart des bacs de congélateur ménagers se maintient généralement entre 0°F/-17°C et 10°F/-12°C. Cet intervalle est nécessaire afin d'assurer une bonne congélation dans le récipient à mélanger. Il est possible d'obtenir une crème glacée plus épaisse en réduisant le réglage de la température du congélateur.

PRÉCAUTIONS IMPORTANTES

Lors de l'utilisation d'appareils électriques toujours prendre les précautions nécessaires, incluant celles qui suivent:

- LISEZ TOUTES LES DIRECTIVES.
- Assurez vous que le cordon d'alimentation est bien enfoncé et que personne ne puisse se prendre les pieds dans le cordon.
- NE PAS DEPLACER LA MACHINE SOFT SERVE PENDANT QU'ELLE EST EN FONCTIONNEMENT («ON»).
- UN CONTROLE ATTENTIF EST NECESSAIRE LORSQUE LA MACHINE EST EN MARCHE.
- Débranchez la machine Soft Serve de la prise de courant lorsque la machine n'est pas en service ainsi qu'avant de la nettoyer. **NOTE: ASSUREZ VOUS QUE LA MACHINE SOFT SERVE EST ARRETEE «O» AVANT DE DEBRANCHER.**
- Pour vous protéger des risques d'électrocution, ne plongez jamais le cordon, ou l'appareil dans l'eau ou tout autre liquide.

- Ne pas laisser des enfants utiliser cet appareil sans qu'ils soient supervisés. Faites particulièrement attention lorsque l'appareil est utilisé par, ou en présence d'enfants.
- Ne pas utiliser un appareil électrique dont le cordon ou la fiche électrique sont endommagés, ni un appareil qui présente des problèmes de fonctionnement ou qui a subi une chute ou a été endommagé de quelque autre manière que ce soit. Retourner l'appareil au Centre de Service Autorisé le plus près aux fins d'inspection, de réparation, de réglage électrique ou mécanique.
- L'utilisation d'accessoires non conseillés ou vendus par le fabricant présente des risques d'incendie, d'électrocution ou de blessure.
- Ne pas utiliser à l'extérieur ou à des fins commerciales. Ne pas utiliser l'appareil autre que pour son utilisation intentionnelle.
- Ne laissez pas que le cordon pendre du bord d'une table ou d'un meuble; ne le laissez pas non plus entrer en contact avec des surfaces chaudes.
- Ne jamais congeler les récipients de mélange dans de la neige carbonique ou autre milieu qui peut atteindre des températures de - 30° F (-34°C) ou moins.
- Ne pas placer sur ou près d'un poêle chaud ou dans un four chaud.
- Ne rien poser, à aucun moment, sur le dessus ou proche de cet appareil.
- Les aliments solides, fruits, noix, bonbons ou autre articles solides doivent être introduits directement dans la machine Home Soft Serve™ parce qu'ils risquent de se trouver coincés dans la valve de distribution ou dans la vis de mélange et soit bloquer ou entraver l'arrivée de la farine de soft serve (tous les ingrédients doivent être liquéfiés dans un mixer avant d'être ajoutés dans la machine).
- Ne pas nettoyer la machine Home Soft Serve™ avec des recurants abrasifs.
- Ne pas poser la machine Home Soft Serve™ sur une table à roulettes, un stand ou table instable. La machine Home Soft Serve™ pourrait tomber, causant des blessures à un enfant ou un adulte, et des dégâts sérieux à l'appareil. N'utiliser qu'avec une table ou le pied recommandé par le fabricant ou vendeur avec la machine Home Soft Serve™.

CONSERVER CES INSTRUCTIONS

POUR USAGE DOMESTIQUE SEULEMENT

Un cordon d'alimentation court est fourni afin de réduire le risque d'emmêlement ou de chute posé par un cordon plus long. On peut utiliser une rallonge à condition d'agir avec précaution. Quand on utilise une rallonge, la puissance électrique nominale de celle-ci doit correspondre à celle de l'appareil. Le cordon doit être disposé de façon à ne pas pendre du bord du comptoir ou de la table, où il pourrait être tiré par un enfant ou pourrait faire trébucher quelqu'un.

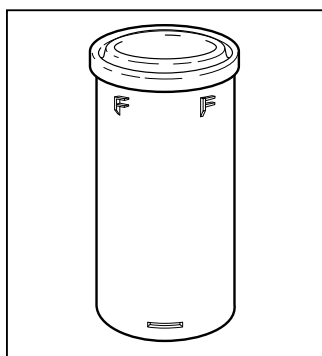
PRODUITS ACHETÉS AUX ÉTATS-UNIS ET AU CANADA UNIQUEMENT:

Pour réduire le risque de choc électrique, cet appareil est doté d'une fiche polarisée (une broche est plus large que l'autre), cette fiche ne va que dans un sens seulement sur une prise de courant polarisée. Si la fiche ne s'enfonce pas complètement dans la prise, la retourne et essayer de nouveau. Si elle ne s'adapte toujours pas à fond, consulter un électricien qualifié. Veillez à respecter les mesures de sécurité de la prise polarisée.

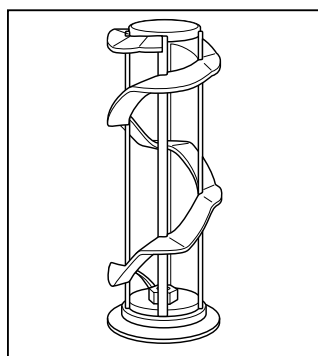
INSTRUCTIONS FACILE A SUIVRE POUR UTILISER LE SOFT SERVE

AVANT LA PREMIERE UTILISATION

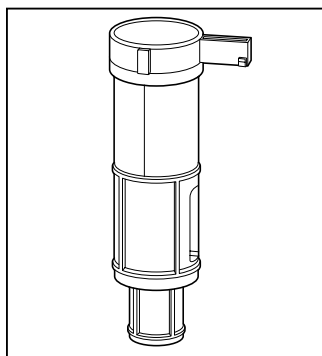
Près avoir déballé l'appareil, laver le Bac à Mélange, le Vis Mélangeuse, Valve et le Panneau d'Assemblage Extérieur de la machine avec de l'eau savonneuse chaude (tous les éléments à l'exception de Bacs de Mélange peuvent être mis au lave-vaisselle, râtelier supérieur seulement) et ensuite les sécher complètement (spécialement le Bac à Mélange). Ensuite placer le Bac à Mélange dans le compartiment congélateur et le pré-congeler pendant au moins 24 heures avant votre utilisation, vous pouvez aussi choisir de ranger votre bac dans le congélateur afin qu'il soit toujours prêt à l'emploi; ensuite vous pourrez avoir soft serve chez vous aussi souvent que vous le désirez.



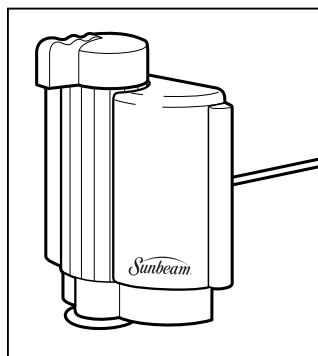
Bac à Mélange



Vis Mélangeuse



Valve



Panneau Frontal d'Assemblage

CONGÉLATION DU BAC À MÉLANGER

L'étape la plus importante dans la préparation des glaces SOFT SERVE est de s'assurer de la bonne congélation du Bac à Mélanger. Le Bac à Mélanger doit être parfaitement gelé. Il est conseillé de placer le Bac à Mélanger à l'arrière du congélateur, où la température est la plus basse.

S'assurer que le Bac à Mélanger est parfaitement sec et le placer à l'arrière ou à l'endroit le plus froid du congélateur.

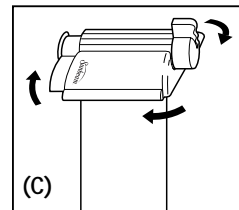
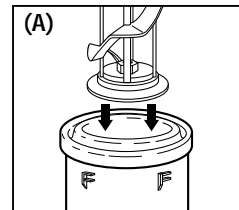
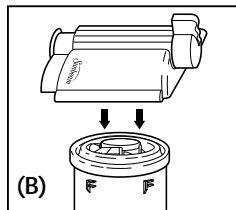
INSTRUCTIONS FACILE A SUIVRE POUR FAIRE DES SOFT SERVE CHEZ SOI!!!

5 ETAPES FACILES:

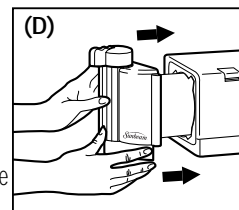
IMPORTANT: Précongeler le Bac à Mélanger" 24 Heures à l'avance.

1. Incorporer le contenu d'un sachet de préparation dans 2-1/2 tasses d'eau froide (ou suivre l'une des recettes ci-jointes) et bien mélanger.

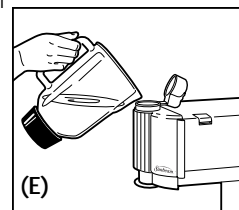
2. Prendre le Bac à Mélange du congélateur et le poser debout sur un plan de travail. Glisser la Vis Mélangeuse plastique blanche vers le bas fermement, laisser descendre lentement dans le bac jusqu'à ce qu'il repose bien sur le fond du Bac (A). Placer le panneau Frontal de la machine sur le Bac Mélangeur (B), en s'assurant que la partie argentée soit logée au centre de la Vis Mélangeuse. Exercer une pression vers le bas tout en tournant dans le sens des aiguilles d'une montre pour verrouiller le tout (C).



3. Glisser l'ensemble dans la machine jusqu'à ce que le déclic se fasse entendre signifiant que tout est en place (D).

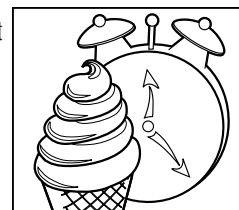


4. Tourner le bouton du distributeur situé sur le dessus de la machine pour l'amener sur la position «FILL» (REMPLEIR) et relever le bouton pour ouvrir l'ouverture de «remplissage». **IMPORTANT: Mettre la machine en MARCHE avant de verser le mélange** (il est possible qu'un bruit de battage soit audible durant le fonctionnement; ceci est parfaitement normal et provient de l'actionnement de la Vis par le moteur à l'intérieur de l'appareil).



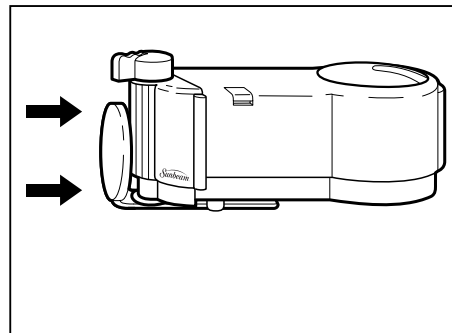
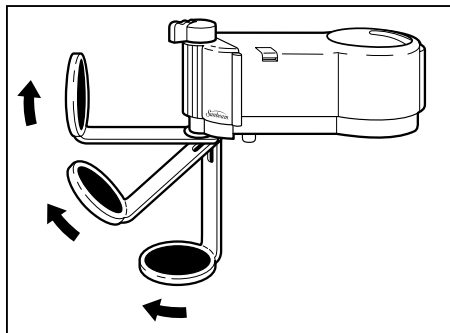
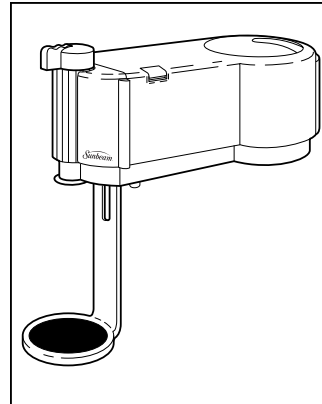
5. Verser les ingrédients dans l'orifice (E), fermer le capuchon et mettre le bouton en position «MIX». Au bout de 20 à 25 minutes, placer le bouton verseur bleu sur «Serve» et voilà la glace Soft Serve! Ne pas mettre l'interrupteur d'alimentation en position ARRÊT avant d'avoir complètement vidé le contenu de la machine Soft Serve.

• Après avoir utilisé tout le contenu de la machine Soft Serve, l'arrêter et la débrancher (lorsqu'elle est en marche, la machine conserve la glace congelée et prête à servir pendant 30 minutes environ à partir de l'instant où la crème gèle pour la première fois; le surplus de glace Soft Serve peut se conserver pour une consommation ultérieure dans un récipient à mettre au congélateur). Appuyer sur le bouton bleu «Chamber Release» au sommet de la machine pour pouvoir sortir le Bac à Mélanger. Faire ensuite tourner le Panneau Frontal dans le sens inverse des aiguilles d'une montre pour le démonter du Bac; mettre le bouton verseur bleu en position «Remove» et tirer pour extraire le robinet afin de le nettoyer (si le robinet devient de plus en plus difficile à tourner ou à démonter, il est possible de le lubrifier par une petite application d'huile de cuisine liquide ou à vaporiser). Les pièces se lavent toutes à l'eau chaude savonneuse (à l'exception du Bac à Mélanger, elles sont toutes lavables au lave-vaisselle, dans le panier du dessus). Toujours veiller à ce que le Bac soit bien sec avant de le placer au congélateur.



ATTENTION: NE JAMAIS IMMERGER LA PARTIE PRINCIPALE DE L'APPAREIL DANS L'EAU ETANT DONNE QUE C'EST LA PARTIE OU LE MOTEUR ET LES ELEMENTS ELECTRIQUES SONT SITUÉS; L'EAU PEUT ENDOMMAGER CES ELEMENTS

Note: Pour les Modèles "Table-Top" Seulement (Modèle 4742):
Pour les unités table-top, s'assurer que la vanne du distributeur est positionnée dans la direction opposée du bord de la table et que celle-ci se trouve sur un plateau de récupération comme indiqué dans l'illustration ci-dessous. A la fin de l'utilisation ramener le bec verseur dans sa position originale horizontale et le glisser sous l'appareil pour l'entreposage. (voir illustration ci-dessous à droite).



**ATTENTION: NE JAMAIS IMMERGER LA PARTIE PRINCIPALE DE L'APPAREIL DANS L'EAU
ETANT DONNE QUE C'EST LA PARTIE OU LE MOTEUR ET LES ELEMENTS ELECTRIQUES SONT
SITUÉS; L'EAU PEUT ENDOMMAGER CES ELEMENTS**

TRUCS

- La température peut varier d'un congélateur à l'autre. Le Bac ne gèlera pas dans un congélateur réglé sur une température moyenne ou élevée. Le Bac gèle à -14°C (7°F). Si la crème glacée est trop molle ou ne durcit pas, vérifier la température du congélateur et le régler de manière à le maintenir en dessous de -15°C (5°F) (réglage le plus froid).
- Le Bac à Mélanger doit être précongelé au congélateur pendant au moins 24 heures avant utilisation. Si le Bac est utilisé après une congélation de moins de 24 heures, la glace ne prendra pas.
- Le robinet est prélubrifié à l'usine pour assurer un fonctionnement sans problème. S'il est lavé au lave-vaisselle, le robinet peut se gripper. Il peut être rendu à son état initial par une petite application d'huile de cuisine liquide ou à vaporiser.
- Le dos du couvercle Frontal présente un rebord circulaire. Le grand joint noir doit être placé sur ce rebord. En l'absence de ce joint sur le rebord circulaire, le montage du couvercle Frontal sur le Bac peut être difficile et des fuites de glace sont possibles ultérieurement.
- Vérifier que le joint est sec avant de monter le Panneau Frontal sur le Bac à Mélanger. Un joint mouillé gèle très rapidement et rend le remontage de l'appareil plus difficile. Par ailleurs, si le montage du Panneau Frontal sur le Bac devient de plus en plus difficile, appliquer une petite quantité d'huile de cuisine liquide ou à vaporiser sur le joint noir pour lubrifier.
- Le robinet doit être introduit de manière à appuyer fermement sur le fond du Panneau Frontal afin d'assurer une bonne étanchéité.
- La crème glacée à l'intérieur du Bac se solidifie progressivement. Si la machine Soft Serve™ est laissée allumée sans surveillance pendant plus de 30 à 35 minutes, la glace peut durcir au point de bloquer la machine. Si la machine est bloquée, elle ne peut pas servir de glace.
- Vérifier que le Bac à Mélanger est totalement sec après lavage. Si le Bac est placé au congélateur encore mouillé, ses engrenages peuvent geler et bloquer l'actionnement de la Vis sans fin à l'intérieur.
- **TRÈS IMPORTANT:** Veiller à mettre l'appareil en MARCHE avant de verser la préparation à crème glacée. Si la préparation est versée dans le Bac avant d'allumer l'appareil, elle durcira rapidement et empêchera la Vis sans fin de tourner.
- Si le Bac ne s'enclenche pas dans l'appareil lorsqu'il y est introduit, le ressortir et faire légèrement tourner les engrenages à l'arrière du Bac avant de le remettre en place dans la machine. Ceci devrait permettre un engagement correct.
- La tige métallique présente une légère courbure. S'assurer que cette courbure est orientée vers le milieu de la Vis sans fin. Si la courbure est tournée vers l'extérieur de la Vis sans fin, la tige heurtera la Vis durant sa rotation, ce qui produira un cliquetis.
- Vérifier que la tige métallique est sur le Panneau Frontal avant de monter l'ensemble sur la machine. En l'absence de tige métallique, l'appareil ne mélange pas le contenu et la glace se dépose au fond du Bac.

RECETTES SOFT SERVE FACILES A FAIRE CHEZ SOI!!!

RECETTES DE GLACES MOLLES SOFT SERVE

Vanille

12 oz./360 ml. de Crème Fraîche
1/2 de Tasse de Sucre
12 oz./360 ml. de Lait Complet
1-1/2 Cuillère à Café d'Extrait de Vanille

Verser la crème, le lait, le sucre et la vanille dans un bol à mélanger. Remuer les ingrédients à la main jusqu'à dissolution complète du sucre. Suivre les instructions 1 à 3, mettre la machine en marche et verser le mélange dans l'orifice «Fill» au sommet de la machine (voir intructions 4 et 5).

Chocolat

12 oz./360 ml. de Crème Fraîche
3/4 de Tasse de Sucre
3 Cuillerées à Soupe de Cacao en Poudre
12 oz./360 ml. de Lait Complet
1 Cuillère à Café d'Extrait de Vanille

Verser la crème, le lait, le sucre, le cacao et la vanille dans un bol à mélanger. Remuer les ingrédients à la main jusqu'à dissolution complète du sucre. Suivre les instructions 1 à 3, mettre la machine en marche et verser le mélange dans l'orifice «Fill» au sommet de la machine (voir intructions 4 et 5).

Chocolat Amande

12 oz./360 ml. de Crème Fraîche
3/4 de Tasse de Sucre
3 Cuillerées à Soupe de Cacao en Poudre
12 oz./360 ml. de Lait Complet
1/2 Cuillerée à Café d'Extrait d'Amande

Verser la crème, le lait, le sucre, l'extrait d'amande et le cacao dans un bol à mélanger. Remuer les ingrédients à la main jusqu'à dissolution complète du sucre. Suivre les instructions 1 à 3, mettre la machine en marche et verser le mélange dans l'orifice «Fill» au sommet de la machine (voir intructions 4 et 5).

Fraise

8 oz./225 g de Fraises Surgelées Non Sucrées (En Purée)
10 oz./300 ml. de Lait Complet
4 oz./120 ml. de Crème Fraîche
3/4 de Tasse de Sucre

Passer les fraises en purée au mélangeur. Verser les fraises en purée, la crème, le lait et le sucre dans un bol à mélanger. Remuer les ingrédients à la main jusqu'à dissolution complète du sucre. Suivre les instructions 1 à 3, mettre la machine en marche et verser le mélange dans l'orifice «Fill» au sommet de la machine (voir intructions 4 et 5).

Pêche

8 oz./225 g de Pêches Surgelées Non Sucrées (En Purée)
10 oz./300 ml. de Lait Complet
4 oz./120 ml. de Crème Fraîche
3/4 de Tasse de Sucre

Passer les pêches en purée au mélangeur. Verser les pêches en purée, la crème, le lait et le sucre dans un bol à mélanger. Remuer les ingrédients à la main jusqu'à dissolution complète du sucre. Suivre les instructions 1 à 3, mettre la machine en marche et verser le mélange dans l'orifice «Fill» au sommet de la machine (voir intructions 4 et 5).

Bleuet

8 oz./225 g Bleuets Surgelés Non Suclés (En Purée)
10 oz./300 ml. de Lait Complet
4 oz./120 ml. de Crème Fraîche
3/4 de Tasse de Sucre

Passer les bleuets en purée au mélangeur. Verser les bleuets en purée, la crème, le lait et le sucre dans un bol à mélanger. Remuer les ingrédients à la main jusqu'à dissolution complète du sucre. Suivre les instructions 1 à 3, mettre la machine en marche et verser le mélange dans l'orifice «Fill» au sommet de la machine (voir intructions 4 et 5).

Ananas

1 Tasse d'Ananas En Boîte Non Sucré (En Purée)
10 oz./300 ml. de Lait Complet
6 oz./180 ml. de Crème Fraîche
3/4 de Tasse de Sucre

Passer l'ananas en purée au mélangeur. Verser l'ananas en purée, la crème, le lait et le sucre dans un bol à mélanger. Remuer les ingrédients à la main jusqu'à dissolution complète du sucre. Suivre les instructions 1 à 3, mettre la machine en marche et verser le mélange dans l'orifice «Fill» au sommet de la machine (voir intructions 4 et 5).

Désir à la Pêche

8 oz./240 ml. de Soda à la Pêche
8 oz./240 ml. de Crème Fraîche
8 oz./240 ml. de Lait Complet
1/2 de Tasse de Sucre

Verser le soda, la crème, le lait et le sucre dans un bol à mélanger. Remuer les ingrédients à la main jusqu'à dissolution complète du sucre. Suivre les instructions 1 à 3, mettre la machine en marche et verser le mélange dans l'orifice «Fill» au sommet de la machine (voir intructions 4 et 5).

Désir à la Fraise

8 oz./240 ml. de Soda à la Fraise
8 oz./240 ml. de Crème Fraîche
8 oz./240 ml. de Lait Complet
1/2 de Tasse de Sucre

Verser le soda, la crème, le lait et le sucre dans un bol à mélanger. Remuer les ingrédients à la main jusqu'à dissolution complète du sucre. Suivre les instructions 1 à 3, mettre la machine en marche et verser le mélange dans l'orifice «Fill» au sommet de la machine (voir intructions 4 et 5).

Cannelle-Banane-Amande

1 Banane (Pressée)
8 oz./240 ml. de Crème Fraîche
8 oz./240 ml. de Lait Complet
2/3 de Tasse de Sucre
1 Cuillère à Café de Cannelle
1 Cuillère à Soupe de Jus de Citron
1 Cuillère à Café d'Extrait d'Amande

Passer la banane en purée au mélangeur. Verser la banane en purée, la crème, le lait, le sucre, la cannelle, le jus de citron et l'extrait d'amande dans un bol à mélanger. Remuer les ingrédients à la main jusqu'à dissolution complète du sucre. Suivre les instructions 1 à 3, mettre la machine en marche et verser le mélange dans l'orifice «Fill» au sommet de la machine (voir intructions 4 et 5).

Café

2 Cuillerées à Soupe de Café Instantané*
10 oz./300 ml. de Crème Fraîche
10 oz./300 ml. de Lait Complet
3/4 de Tasse de Sucre

Verser le café, la crème, le lait et le sucre dans un bol à mélanger. Remuer les ingrédients à la main jusqu'à dissolution complète du sucre. Suivre les instructions 1 à 3, mettre la machine en marche et verser le mélange dans l'orifice «Fill» au sommet de la machine (voir intructions 4 et 5).

* Si ceci est trop fort réduire le café à 1-1/2 Cuillère à Soupe.

Café Mocha

1 Cuillère à Soupe de Café Instantané*
10 oz./300 ml. de Crème Fraîche
10 oz./300 ml. de Lait Complet
3/4 de Tasse de Sucre
1 Cuillère à Soupe de Cacao en Poudre

Verser le café, la crème, le lait, le cacao et le sucre dans un bol à mélanger. Remuer les ingrédients à la main jusqu'à dissolution complète du sucre. Suivre les instructions 1 à 3, mettre la machine en marche et verser le mélange dans l'orifice «Fill» au sommet de la machine (voir intructions 4 et 5).

Citron

6 oz./180 ml. Jus de Citron (En Bouteille)
8 oz./240 ml. de Crème Fraîche
8 oz./240 ml. de Lait Complet
3/4 de Tasse de Sucre

Verser le jus de citron, la crème, le lait et le sucre dans un bol à mélanger. Remuer les ingrédients à la main jusqu'à dissolution complète du sucre. Suivre les instructions 1 à 3, mettre la machine en marche et verser le mélange dans l'orifice «Fill» au sommet de la machine (voir intructions 4 et 5).

RECETTES DE SORBETS

Sorbet de Citron

6 oz./180 ml. de Concentré de Citron Congelé
2 Cuillerées à Soupe de Sucre
18 oz./540 ml. de Lait Complet
2 Gouttes de Colorant Alimentaire Jaune (Facultatif)

Verser le concentré congelé, le lait et le sucre dans un bol à mélanger. Si désiré, ajouter le colorant alimentaire. Remuer les ingrédients à la main jusqu'à dissolution complète du sucre. Suivre les instructions 1 à 3, mettre la machine en marche et verser le mélange dans l'orifice «Fill» au sommet de la machine (voir intructions 4 et 5).

Sorbet de Fraise

6 oz./170 g de Fraises Surgelées Non Sucrées (En Purée)
1/2 de Tasse de Sucre
16 oz./480 ml. de Lait Complet
2 Cuillerées à Soupe de Jus de Citron

Passer les fraises en purée au mélangeur. Verser les fraises en purée, la crème, le lait, le jus et le sucre dans un bol à mélanger. Remuer les ingrédients à la main jusqu'à dissolution complète du sucre. Suivre les instructions 1 à 3, mettre la machine en marche et verser le mélange dans l'orifice «Fill» au sommet de la machine (voir intructions 4 et 5).

Sorbet à l'Orange

6 oz./180 ml. de Concentré d'Orange Congelé
2 Cuillerées à Soupe de Sucre
18 oz./540 ml. de Lait Complet

Verser le concentré congelé, le lait et le sucre dans un bol à mélanger. Si désiré, ajouter le colorant alimentaire. Remuer les ingrédients à la main jusqu'à dissolution complète du sucre. Suivre les instructions 1 à 3, mettre la machine en marche et verser le mélange dans l'orifice «Fill» au sommet de la machine (voir intructions 4 et 5).

RECETTES DE BOISSONS

Glaçon Fraise-Canneberge

(Refroidir pendant 15 minute seulement)

2 Tasses de Jus de Fraise-Canneberge**
1 2/3 Tasses de Lait Complet
3/4 de Tasse de Sucre

Verser le jus de fruit, le lait et le sucre dans un bol à mélanger. Remuer les ingrédients à la main jusqu'à dissolution complète du sucre. Suivre les instructions 1 à 3, mettre la machine en marche et verser le mélange dans l'orifice «Fill» au sommet de la machine (voir intructions 4 et 5).

****NOTE:** Si le jus utilisé est réfrigéré, commencer à vérifier la préparation dans la machine au bout de 7 minutes et servir dès que la consistance désirée est atteinte.

Glaçon Canneberge-Framboise

2 Tasses de Jus de Canneberge-Framboise**
1 2/3 Tasses de Lait Complet
3/4 de Tasse de Sucre

Verser le jus de fruit, le lait et le sucre dans un bol à mélanger. Remuer les ingrédients à la main jusqu'à dissolution complète du sucre. Suivre les instructions 1 à 3, mettre la machine en marche et verser le mélange dans l'orifice «Fill» au sommet de la machine (voir intructions 4 et 5).

****NOTE:** Si le jus utilisé est réfrigéré, commencer à vérifier la préparation dans la machine au bout de 7 minutes et servir dès que la consistance désirée est atteinte.

RECETTES DE YOGOURTS GLACÉS

Yogourt à la Fraise

(La congélation nécessite 25 minutes)

10 oz./280 g de Fraises Surgelées Non Sucrées (En Purée)
10 oz./300 ml. de Lait Complet
4 oz./120 ml. de Yogourt à la Vanille
1/2 de Tasse de Sucre

Verser les fraises en purée, le lait, le yogourt et le sucre dans un bol à mélanger. Remuer les ingrédients à la main jusqu'à dissolution complète du sucre. Suivre les instructions 1 à 3, mettre la machine en marche et verser le mélange dans l'orifice «Fill» au sommet de la machine (voir intructions 4 et 5).

Yogourt à la Framboise

(La congélation nécessite 25 minutes)

10 oz./280 g de Framboises Surgelées Non Sucrées (En Purée)
10 oz./300 ml. de Lait Complet
4 oz./120 ml. de Yogourt à la Vanille
1/2 de Tasse de Sucre

Passer les framboises en purée au mélangeur. Verser les framboises en purée, le lait, le yogourt et le sucre dans un bol à mélanger. Remuer les ingrédients à la main jusqu'à dissolution complète du sucre. Suivre les instructions 1 à 3, mettre la machine en marche et verser le mélange dans l'orifice «Fill» au sommet de la machine (voir intructions 4 et 5).

Yogourt à l'Orange

(La congélation nécessite 25 minutes)

4 oz./120 ml. de Concentré d'Orange Congelé
10 oz./300 ml. de Lait Complet
4 oz./120 ml. de Crème Fraîche
4 oz./120 ml. de Yogourt à la Vanille
1/2 de Tasse de Sucre

Verser le concentré congelé, le lait, la crème à fouetter, le yogourt et le sucre dans un bol à mélanger. Remuer les ingrédients à la main jusqu'à dissolution complète du sucre. Suivre les instructions 1 à 3, mettre la machine en marche et verser le mélange dans l'orifice «Fill» au sommet de la machine (voir intructions 4 et 5).

2 ANS DE GARANTIE LIMITÉE

Sunbeam Products Inc. garantit que pour une période de deux ans à compter de la date d'achat, ce produit ne présentera aucun vice mécanique ou électrique, matériel ou de fabrication. Notre obligation ci-après se limite à la réparation ou au remplacement de ce produit au choix du fabricant durant la période de couverture de la garantie, pourvu qu'on envoie le(les) produit(s) acheté(s) aux États-Unis, par la poste, port payé, directement à l'adresse suivante:

**SUNBEAM APPLIANCE SERVICE STATION
117 Central Industrial Row
Purvis, MS 39475**

En cas de questions ou pour obtenir des renseignements à propos de cette garantie ou du bureau de service après-vente agréé de votre région aux États-Unis, appelez sans frais d'interurbain le 1-800-597-5978 ou écrivez à l'adresse suivante Sunbeam - Consumer Affairs en P.O. Box 948389, Maitland, Florida 32794-8389.

En ce qui concerne les produits achetés au Canada, s'il vous plait l'appel:

**SUNBEAM APPLIANCE SERVICE STATION (KND)
1-800-663-8623 ou email nous
consumeraffairs@consumer.sunbeam.com**

En cas de questions ou pour obtenir des renseignements à propos de cette garantie ou du bureau de service après-vente agréé de votre région au Canada, appelez sans frais d'interurbain au Canada le 1-800-667-8623.

En cas de questions ou pour obtenir des renseignements à propos de cette garantie ou d'un bureau de service après-vente agréé à l'extérieur des États-Unis et du Canada, veuillez consulter la carte de service sous garantie insérée dans l'emballage du produit.

**NE RETOURNEZ PAS CE PRODUIT À L'ENDROIT OÙ VOUS L'AVEZ ACHETÉ, CAR CELA POURRAIT
RALENTIR LE TRAITEMENT DE VOTRE DEMANDE DE REMBOURSEMENT SOUS GARANTIE.**

La présente garantie ne couvre ni l'usure normale des pièces ni les dommages entraînés par l'un quelconque des cas suivants: l'utilisation inappropriée ou négligente du produit, son utilisation à une tension ou à un courant inadéquats, son utilisation contraire aux directives du mode d'emploi, ou son démontage, sa réparation, son remaniement, sa modification ou sa transformation par toute personne autre qu'un centre de service après-vente agréé. La réparation ou le remplacement du produit prévus aux termes de la présente garantie constituent votre seul unique recours. Sunbeam Products Inc. n'acceptera aucune responsabilité de dommages conséquents ou accessoires découlant du manquement à quelque garantie explicite ou implicite sur ce produit. Sauf dans la mesure où l'empêchent les lois applicables, la durée de toute garantie implicite sur la qualité marchande ou le caractère utilisable de ce produit pour un but précis se limite à la durée de la garantie susmentionnée. Certains états ou provinces interdisent l'exclusion ou la limitation des dommages conséquents ou accessoires, ou la limitation de la durée d'une garantie implicite; il s'ensuit que les limitations ou exclusions ci-dessus peuvent ne pas s'appliquer à vous. La présente garantie vous confère des droits légaux précis, et vous pourriez aussi avoir d'autres droits qui varient selon l'état ou la province.



**"UNA RESPUESTA PARA
CADA PREGUNTA"**

¿Tiene Ud. alguna pregunta
o comentario?

**Llámenos sin costo al: 91-800-506-17
del D.F. al: 729-21-00**

De lunes a viernes de las 8:30 hrs. a las 17:00 hrs.

SUNBEAM MEXICANA S.A. DE C.V.

Vía Dr. Gustavo Baz No. 180, Tlalnepantla, Edo. de México
C.P. 54090
Tel 729-21-00 Fax 397-03-99

OFICINAS DE VENTA EN LA REPÚBLICA MEXICANA:

SUCURSAL TLALNEPANTLA EDO. DE MÉXICO

Vía Dr. Gustavo Baz No. 180 Tel: 729-21-00

SUCURSAL GUADALAJARA, JALISCO

Juan Kepler #4536-4, Col. Residencial Arboledas, Zapopan,
C.P. 45070 Tels: 19-64-05, 19-65-08 Fax: 19-15-46

SUCURSAL MONTERREY, NUEVO LEON

Plaza Puerta del Sol Local 19, Blvd. Puerta del Sol 350 Colinas de San Jerónimo,
C.P. 064640 Tel: 46-94-70, 46-94-78, 46-94-79 Fax: 46-94-70

CARACTERÍSTICAS ELÉCTRICAS:

60Hz 120 \sim +/-10% V 160W

NOM-004-ANCE

© Osterizer, Sunbeam y Oster son marcas registradas de Sunbeam Corporation

© Sunbeam Products, Inc. o sus compañías afiliadas, todos los derechos reservados Sunbeam,
es una marca registrada de Sunbeam Products, Inc. o de sus compañías afiliadas.
Distribuido por: Sunbeam Products, Delray Beach, FL 33445.

Use sólo refacciones originales

**PARA SERVICIO DE GARANTÍA Y VENTA DE PARTES Y REFACCIONES
SUNBEAM MEXICANA, S.A. de C.V.**

Via Dr. Gustavo Baz No. 180, Tlalnepantla, Edo. de México
TALLERES DE SERVICIO AUTORIZADOS

| ESTADO Y CIUDAD | NOMBRE Y DIRECCIÓN | TELÉFONO |
|------------------------------|--|---------------------|
| AGUASCALIENTES | AGUASCALIENTES - DISTRIB. AGUASCALIENTES - Madero No. 203 | 15-1346 |
| | AGUASCALIENTES - RYSE DE AGUASCALIENTES, S.A. - Atlende Poniente Y Victoria No.118 | 15-5782 |
| | AGUASCALIENTES - SAMUEL RODRIGUEZ D., - Abedul No. 1006 | 14-8222 |
| BAJA CALIFORNIA NORTE | TIJUANA - CASA ELÉCTRICA ROTHENHAUSLER - 5A. E. Zapata No. 1637 | 85-F 149 y 85-3025 |
| | TIJUANA - PLOMERIA LAS DOS EMES - Defensores de Baja California No. 200, Col. Ruiz Cortines | 82-3189 |
| CAMPECHE | CAMPECHE - REFA HOGAR DE CAMPECHE - Av. Fco. I. Medero. C. Com. Villa del Río. Depto 1 | 1-4206 |
| | CIUDAD DEL CARMEN - REFA HOGAR DE CARMEN - Calle No. 24. No.73-C | 2-3619 |
| CHIAPAS | COMITAN - CENTRO SINGER DE COMITAN - 3A Calle Norte Poniente No. 59, Col. Centro | 2-0290 |
| | OCOSINGO - ELECTRONICA DEL ISTMO - 2A Av. Sur Oriente No. 14. Col. Centro | |
| | SAN CRISTOBAL DE LAS CASAS - REFAC. ELECTRI-HOGAR - 20 de Noviembre No. 17-B Col. Centro | 8-1137 |
| | TAPACHULA - REFRIGERACIÓN Y SISTEMAS - 5A Calle Poniente No. 16-8 Col. Centro | 8-7070 |
| | TUXTLA GUTIERREZ - COMPRESORES Y PARTES DE REFRIGERACIÓN - 2A Poniente Sur No. 500, Col. Centro | 3-7325 |
| | TUXTLA GUTIERREZ - SERVICIO Y REFAC. DE TUXTLA - 2A Oriente Norte No. 354 Int. | 2-2737 |
| CHIHUAHUA | CHIHUAHUA - REFAC. Y SERVICIOS DE CHIHUAHUA - Av. Juárez No. 514 | 10-5540 |
| | CHIHUAHUA - TALLER DE REFRIG. Y SERVICIOS ELÉCTRICOS - Ojinaga No. 507 | 10-5963 |
| | CIUDAD DELICIAS - MUEBLERIA PORTILLO - Calle 1a. Norte No. 104, Col. Centro | 2-1457 y 2-8333 |
| | CIUDAD JUAREZ - DIST. TURMIX Paseo Triunfo de la República No. 5298, Local 2-A Col. San Lorenzo | 17-8030 |
| | CIUDAD JUAREZ - REFAC. DEL HOGAR DE CHIHUAHUA, S.A. DE C.V. - Av. Insurgentes No.1669 | 2-2321 y 2-7575 |
| | HIDALGO DEL PARRAL - CASA ELÉCTRICA DEL PARRAL - Calle Colegio No. 35 | 2-0320 |
| | HIDALGO DEL PARRAL - CASA MAYKA - Maclovio Herrera No. 67 Local 12 | 2-7845 y 2-4140 |
| COAHUILA | SALTILLO - ELECTRICIDAD Y NOVEDADES DE SALTILLO - Calle Morelos No. 211-A Sur Centro | 12-5525 |
| | TORREON - COMERCIAL GARCIA DE TORREON, S.A. - Av. Juárez No. 99 Poniente | 6-3010 |
| | TORREON - JOSE C. DE JESUS LOPEZ, S.A. - Calle Acuna No. 259 Sur | 12-9822 |
| | TORREON - REFAC. Y SERV. P/APAR DOMESTICOS - Presidente Carranza No. 655 | 19-5189 y 16-3165 |
| COLIMA | COLIMA - JABA HERMANOS - Av. Pino Suárez No. 230 | 3-0930 |
| | COLIMA - TODO PARA GAS - Ignacio Sandoval No. 15 | 2-7776 |
| DISTRITO FEDERAL | MÉXICO - ART ELÉCTRICOS PARA EL HOGAR, S.A. DE C.V. - Av. Revolución 154-C Col. Tacubaya | 516-0292 |
| | MÉXICO - BULBOS Y REFAC. ELÉCTRICAS - Plutarco Elias No.1494-A Col. Zacahuizco | 672-0808 |
| | MÉXICO - CASA HUERTA - Calzada I. Zaragoza No. 3254 L. 13-8 Col. Sta. Martha | 738-1972 |
| | MÉXICO - CORP. ELECTRODOMESTICA CASA GARCIA, S.A. DE C.V. - Av. Patriotismo No. 875-B Col. Mixcoac | 563-8723 |
| | MÉXICO - DOMESTICA NORTE - Camino a Sanluisito No. 131-C Deleg. Gustavo A. Madero | |
| | MÉXICO - DOMESTICA ORIENTE - Calle 7 Mz. 6 Lote 16 | 845-3328 |
| | MÉXICO - DOMESTICOS ELECTRO S.A. DE C.V. - Tonalá No. 124 Col. Rome | 584-0939 y 584-0950 |
| | MÉXICO - ECONOMOHOGAR - López No. 31-A. Col. Centro | 512-8006 |
| | MÉXICO - REPARADORA DEL HOGAR TLAHUAC - F.F.CC. Rafael Atlitxco No. 1 Tlahuac | 842-4489 |
| | MÉXICO - SERVICIO DOMESTICO DEL SUR - Blvd. La Virgen Manz. 1 Lota 6 Col. Carmen Sentan | 608-2313 |
| DURANGO | DURANGO - REFACCIONARIA EASY - Patoni No. 506 Sur | 11-0251 |
| | DURANGO - REFACCIONARIA EASY - Pino Suárez No. 423 Poniente | |
| | DURANGO - SERVICIO ESPARZA - 20 de Noviembre No. 507 con Porras | 17-4736 |
| | GOMEZ PALACIOS - REFAC. Y SERV. P/APAR. DOMÉSTICOS STA. LUCIA - Hidalgo y Escobedo | 14-0225 |
| | GOMEZ PALACIOS - REFAC. Y SERV. P/APAR. DOMÉSTICOS STA. LUCIA - Victoria No. 326-A Norte | 14-6031 |
| EDO. DE MÉXICO | COACALCO - ELECTRODOMESTICOS MARSOL - C. Comercial Coacalco, Local 33 | 875-7030 |
| | ECATEPEC - SERVICIO DOMÉSTICO HERGAR - Via Morelos No. 103 (antes 30), Col. Jajalpa | 787-2622 |
| | ECATEPEC - SERVICIO HEGAR - Via Morelos No. 26 Manz. 1 Col. Nuevo Laredo | 787-7536 |
| | IXTLAHUACA - POUREPUESTOS ORIGINALES - Plaza Suárez No. 1 - J. | |
| | NETZAHUALCOYOTL - CASA HUERTA - Av. Aldofo López Matleos No. 150 | 797-8131 |
| | NETZAHUALCOYOTL - CASA HUERTA - Av. Pantitlán No.407 Col. Vicente Villada | 765-3371 |
| | NETZAHUALCOYOTL - CASA HUERTA - Plaza Neza, Local E-27, Col. Benito Juárez | 731-9345 |
| | TLALNEPANTLA - CASA MONTOYA - Av. Rio Lerma No. 111 | 565-8942 |
| GUAMAJUATO | TOLUCA - SERVICIO Y REFAC. TAUN - Ignacio López Rayon Norte No. 211-A. Col. Centro | |
| | ACAMBARO - PRELAGAS DE ACAMBARO - Vicente Guerrero No. 23-C | 2-1445 |
| | CELAYA - ELECTRODOMESTICOS DEL BAJIO - Bejuca No. 103. Col. los Pinos | 5-5157 |
| | IRAPUATO - MECAN HOGAR Y/O RYSE DE IRAPUATO - Av. 5 de Mayo No. 518, Col. Independencia | 6-4446 y 7-6767 |
| | LEÓN - ELECTRONICA DIGITAL - Rio Lerma No. 1124. Col. Prados Verdes | 11-7381 |
| | LEÓN - SERVI HOGAR - Pino Suárez No. 314 Col. Centro | 16-8006 |
| | MOROLEÓN - REFACCIONARIA DEL HOGAR - Guadalupe Victoria No. 25 Col. Centro | |
| | PENJAMO - ELECTRONICA DEL CENTRO - Hidalgo No. 44-B. Zone Centro | 2-0774 |
| | SALAMANCA - REFRIGERACIÓN FONSECA - Calaya No. 107. Col. Guanajuato | 7-3475 |
| GUERRERO | ACAPULCO - TELEVICENTRO - Av. Cuauhtémoc No. 135. Col. Centro | |
| | ACAPULCO - TELEVICENTRO - Velázquez de León No. 52. Col. Centro | 82-0349 |
| | IGUALA - ELECTRO SURIANA - Av. Bandera Nacional No.1-A | 2-1099 |
| HIDALGO | CIUDAD SAHAGUN - SERVICIO ELIZALDE - Av. Huichapán No. 17. Col. Rojo Gómez | 3-3930 |
| | PACHUCA - REFAC. Y SERVICIO DE HIDALGO - Fernando Soto No. 102-B | 5-1837 |
| JALISCO | CIUDAD GUZMAN - NUEVO RADIO SERVICIO - S.A. DE C.V. - 5 Mayo No. 26 | 2-3374 y 2-0484 |
| | CIUDAD TUXPAN - SERVO ELÉCTRICA - Foa. I. Madero No. 27-A | 7-2914 |
| | GUADALAJARA - IMPLEMENTOS Y REFAC. DOMESTICAS S.A. DE C.V. - Manuel Avila Camacho No. 1280 | 23-1927 |
| | GUADALAJARA - PROESA TECNOGAS S.A. DE C.V. - Independencia No. 11 | 14-6825 |
| | GUADALAJARA - REFAC. ECONÓMICAS DE OCCIDENTE. S.A. DE C.V. - Garibaldi No. 1450 | 25-5819 y 25-3460 |
| | GUADALAJARA - SERVICIO MAYO - Av. Colón No. 783, Sector Juárez | 13-0325 y 14-9088 |
| | LAGOS DE MORENO - TECNO-HOGAR - Hidalgo No. 614-A | 2-0664 |
| | PUERTO VALLARTA - PROESA TECOGAS DE OCCIDENTE. - Perú No. 1279 Esq. Nicaragua | 2-5455 y 2-4989 |
| | TEPATITLAN - TECNO GAS DE LOS ALTOS - Colón No.151 | 1-0558 |

| ESTADO Y CIUDAD | NOMBRE Y DIRECCIÓN | TELÉFONO |
|-----------------|---|-------------------|
| MICHOCAN | APATZINGAN - REFRIG. Y CLIMAS ARTIF. DE MEXICO - Cart. Apatzingán Cuatro Caminos No. 202. Col. La Nueva | 4-5030 y 4-5082 |
| | LA PIEDAD - REFRIGERACIÓN CALDERON - Vicente Guerrero No. 109. Zona Centro | 2-1504 |
| | MORELIA - CASA MARY - Alvaro Obregón No. 22. Zona Centro | 2-5415 |
| | MORELIA - CENTRAL DOMESTICA DE MORELIA - Av. Morelia Sur No. 618 | 2-1796 |
| | PURUANDIRO - REFACCIONARIA SAN FRANCISCO - Fagoaga No. 72-A. Centro | 83-1405 |
| | SAHUAYO - REFRI-LAV - Matamoros No. 4 Esq. Morelos | 2-3873 y 23895 |
| | URUAPAN - EL SURTIDOR DEL HOGAR - Madero No. 12-A | 4-2926 |
| | ZAMORA - MULT. SERV. PROF. DE ZAMORA - Virrey de Mendoza No. 283-C | 5-1108 |
| | ZAMORA - RYSE DE IRAPUATO S.A. DE C.V. - Av. 5 de Mayo Esq. Colon | 2-3304 y 2-5368 |
| | ZITACUARO - DEL CENTRO - Av. Hidalgo Poniente No. 2 | 3-2191 |
| MORELOS | CUAUTLA - SERVICIO DEL HOGAR - 2 de Mayo No. 104-A | 2-2856 |
| | CUERNAVACA - MECANICA DOMESTICA INDUSTRIAL - Matamoros No. 410-A Zona Centro | 12-4512 |
| MAYARIT | CUERNAVACA - SERVICIO Y REFAC. S.A. - Plan de Ayala y Av. Central, Local 6 | 15-7041 |
| | TEPIC - TECNO HOGAR - Av. México No. 37 Sur | 2-1936 |
| NUEVO LEON | CERDADO - CERRAJERIAS REGIA - Carretera Nacional No. 211. Fracc. Las Hadas | 5-0383 |
| | GUADALUPE - CERRAJERIAS REGIA - Av. Miguel Alemán No.243 Oriente, Col. Lindavista | 79-0794 |
| OAXACA | GUADALUPE - CERRAJERIAS REGIA - Hacienda No. 1234-A Oriente, Fracc. Hda. de Guadalupe | 37-3494 y 37-8510 |
| | MONTERREY - CERRAJERIA DEL VALLE - Orinoco No. 207 Norte | 78-3655 |
| | MONTERREY - ELECTRODOMESTICA DE REFACCIONES - Fidel Velázquez No. 1513 Poniente L-4F. Col. La Central | |
| | MONTERREY - JOSE F. SEPULVEDA - Ruperto Martínez No. 238 Oriente, Col. Centro | 43-6700 y 43-1815 |
| | MONTERREY - REFAC. DOMESTICAS MONTERREY - Av. Gonzalitos No. 3501 Loc. 44 Col. Mitras Norte | 73-1621 |
| | MONTERREY - SERVICIO Y REFAC. HECTOR SEPULVEDA S.A. DE C.V. - Zaragoza No. 203 Sur | 43-8909 y 42-3970 |
| | SAN NICOLAS DE LAS GARZAS - CERRAJERIAS REGIA - Av. Parque Anahuac No. 105 Oriente. Col. Anahuac | 76-9024 |
| | OAXACA - SERVICIO ELECTRODOM. APARICIO - Av. Pariférico No. 111, Col. Postal | 3-6277 |
| | TUXTEPEC - SERVICIO ESPECIALIZADO WHIRLPOOL - José Mania Morelos No. 1234 | 5-4616 |
| | ATLIXCO - REFAC. DEL HOGAR - Calle Sur No. 503-B | 5-2465 |
| PUEBLA | PUEBLA - MATERIAL ELÉCTRICO LA CASA - 10 Oriente No. 15-B | 46-5504 |
| | PUEBLA - REPRESENTACIÓN DE PUEBLA - 3 Poniente No. 523-B | 42-4955 |
| QUERÉTARO | TEHUACAN - C. DE SERVICIO ALM. PATJANE - Av. Independencia Poniente No. 407, Col. Centro | 2-3835 |
| | TEZIUTLAN - ALMACENES 5-10-15 - Prof. Av. Juárez No. 2 | 2-0720 |
| QUINTANA ROO | QUERÉTARO - ELECTRÓNICA "J.M.V." - Calle Peña de Bernal No. 7-B. Col. Las Américas | 17-1592 |
| | QUERÉTARO - ELECTRODOM ANTONIO - 16 de Septiembre No. 6-C Poniente | 12-2149 |
| SAN LUIS POTOSI | CANCUN - AGUILAR REFACCIONES - Av. López Portillo SM 70 Manz. 1 Local, 2 Col. Centro | 84-0727 |
| | COZUMEL - REFACCIONARIA DEL HOGAR - Adolfo Rosado Salas No. 33, Depto. 1, Col. Centro | 2-1690 |
| SIMALOA | CHETUMAL - TALLER DE REP. DE APARATOS ELÉCTRICOS ALVARADO - Hidalgo No. 89 | 2-3841 |
| | CIUDAD VALLES - REFACCIONARIA DEL HOGAR DE VALLES S.A. - Calle Aguilas No. 500 | 2-1148 |
| TAMAULIPAS | S.L.P. - ELECTRO HOGAR - Julián de los Reyes No. 328 | 12-2116 |
| | S.L.P. - PROV. TECNO HOGAR GIVI - Himno Nacional No. 1410, Col. Las Aguilas | 12-5808 |
| TABASCO | S.L.P. - SERVICIO ELECTRODOM. ITURBIDE - Damián Carmona No. 685 | 2-0487 |
| | CULIACAN - SERVICIO DEL HOGAR GOMEZ - Av. Morelos No.183 Norte | 3-6995 |
| VERACRUZ | GUAMUCHIL - ELEC. DOMESTICA E INDUSTRIAL - Zaragoza No. 157 Norte, Col. Juárez | 2-1088 |
| | LOS MOCHIS - NUEVO JAPON DE LOS MOCHIS - Benito Juárez No. 430 Poniente | 2-5850 |
| ZACATECAS | LOS MOCHIS - TECOGAS DE OCCIDENTE, S.A. DE C.V. - Av. Hidalgo No. 545 | 5-5860 y 5-5247 |
| | MAZATLAN - CAMACHO DE MAZATLAN, S.A. DE C.V. - Zaragoza No. 1211 | 1-6110 y 2-8420 |
| ZACATECAS | MAZATLAN - REFAC. DEL HOGAR, S.A. DE C.V. - German Evers No. 1708 Norte | 85-1325 y 85-0794 |
| | CIUDAD OBREGON - TECNI-SERVICIOS GALICIA S.A. DE C.V. - Veracruz No. 435 Sur | 3-8033 y 3-3315 |
| ZACATECAS | GUAYMAS - CENTRAL DE REFACCIONES SERVICIOS - Av. Miguel Alemán No. 75 Sur | 2-3244 |
| | HERMOSILLO - SERVICIO ELECTRO HOGAR - Guerrero No. 80 Esq. Dr. Noriega | 2-1244 |
| ZACATECAS | COMALCALCO - ELECTROHOGAR 2 HERMANOS - Juárez No. 1102 Esq. Rayon | 4-2073 |
| | H. CARDEMAS - COMERCIAL LA ESTRELLA - Mader No. 805, Col. Centro | 2-0548 |
| ZACATECAS | VILLAHERMOSA - SERVICIO Y REFAC. FRIAS - Sánchez Megallanes No. 918 | 2-7002 |
| | CIUDAD VICTORIA - CARLOS A. CARRIZALES PAZ - Adolfo López Mateos No. Local 6 | 6-1335 |
| ZACATECAS | MATAMOROS - MUEBLERIA REAL DEL NORTE. S.A. DE C.V. - Juárez y Panama No. 3-B | 13-2122 |
| | TAMPICO - COM. ELÉCTRICA BRICEÑO - H. del Cañonero No. 206 Oriente | 12-3175 y 12-1775 |
| ZACATECAS | TAMPICO - HOSPITAL DE ELECTRODOM. - Díaz Mirón No. 909 Oriente | 12-6940 |
| | TAMPICO - SERVICIO ALLENDE - Olmos No. 602 Norte | 12-1999 |
| ZACATECAS | REYNOSA - PROV. DE RESTAURANTES DE REYNOSA - Calle Bravo No. 500, Centro | 22-5679 |
| | COATZACOALCOS - ACC. Y REFRIG. DEL SURESTE, S.A. DE C.V. - Maipica No. 312 | 2-1976 |
| ZACATECAS | CORDOBA - VIC-MAR - Av. 2 No. 921 | 2-8393 |
| | MINATITLÁN - ELECTROREFRIG. CUPIL S.A. DE C.V. - Calle Amelia Riverol No. 10 Col. Playón Sur | 3-5714 |
| ZACATECAS | ORIZABA - SIST. Y EQUIPOS COMPUTACIONALES S.A. DE C.V. - Poniente 2 No. 38 | 5-0311 |
| | POZA RICA - REFAC. INTERNACIONAL DEL HOGAR - Mariano Artista, Esq. 16 de Sept., Col. Tajin | 3-5119 |
| ZACATECAS | SAN ANDRÉS TUXTLA - TELE SERVICIO - Dr. Argudín No. 2 | 2-0570 |
| | TUXPAN - REFAC. INTERNACIONAL DEL HOGAR - Garizuriel No. 52 | 4-2016 |
| ZACATECAS | TUXPAN - REFAC. LINEA BLANCA DE TUXPAN, S.A. DE C.V. - Artega No. 1 | 4-5953 |
| | VERACRUZ - ELECTRODOMESTICA DEL PUERTO - Zamora No.1479 | 38-2154 |
| ZACATECAS | VERACRUZ - SERVIREFAC. RODRIGUEZ - Carlos Cruz No. 55 Local 4 | 32-5351 |
| | XALAPA - DOMESTICA TAPIA - Av. Rafael Murillo Vidal No. 3-F, Fraco. Ensueño | 18-8759 |
| ZACATECAS | MÉRIDA - ELECTRODOMESTICOS REFORMA - Calle 72 No. 433-C | 28-2137 |
| | MÉRIDA - REFACCIONARIA DEL HOGAR - Calle 67 No. 511 | 23-5652 |
| ZACATECAS | FRESNILLO - DOMESTICA MUÑOZ - Calle 1858 No. 4, Fracc. González Ortega | 2-5727 |
| | JUCHIPILA - TELE SERVICIO LUNA - Nicolás Bravo No. 3, Col. Centro | 2-0599 |
| ZACATECAS | ZACATECAS - REFAC. DOMESTICAS ROMO - Rayón No. 220 | 2-3664 |

COMPRADOR:

CASA VENDEDORA:

Nombre _____ Dirección _____ Ciudad _____ Estado _____

Aparato _____ Marca _____ Modelo _____

Nombre _____ Dirección _____ Ciudad _____ Estado _____

La presente garantía contará a partir de la fecha de entrega Año _____ Mes _____ Día _____

¡FELICIDADES!

¡Disfrute helado cremoso y yoghurt congelado en casa con su nueva Máquina para hacer Helados Home Soft Serve™!

Hemos hecho todo lo que podemos para hacer que usar su nueva máquina sea tan fácil y sencillo como sea posible.

Nuestro manual de instrucciones ha sido diseñado para darle información útil, consejos y una variedad de diferentes recetas.

DETALLES DE SU NUEVA MÁQUINA PARA HACER HELADOS SOFT SERVE™

- ¡Uso Fácil, Rápido y Conveniente!
- Prepara de 6 a 8 conos grandes en aproximadamente 20 minutos.
- ¡Use el paquete de mezcla preparada que se Incluye o prepare su propia receta de sabroso helado y yoghurt congelado usando el libro de recetas e ingredientes comunes de cocina!
- La limpieza es fácil y rápida: Todas las partes que están en contacto con el helado son removibles y se pueden lavar en lavavajillas (en la canasta superior únicamente; sin embargo, el Bote para Mezclar debe de lavarse con agua jabonosa - no debe de lavarse en la lavavajillas por la elevada temperatura del ciclo de secado).
- La válvula ha sido lubricada previamente durante la fabricación para ofrecer una operación suave. Si la válvula está rígida o demasiado ajustada; aplique un poco de aceite para cocinar líquido o en rocío para tener nuevamente una operación suave y fácil.
- La mayoría de los compartimientos del congelador en los refrigeradores caseros mantienen una temperatura de 0°F/-17°C a 10°F/-12°C . Este rango es necesario para asegurar que el Bote para Mezclar se congele adecuadamente. Un helado de consistencia más espesa puede obtenerse ajustando la temperatura de su congelador a una temperatura más baja.

MEDIDAS DE SEGURIDAD IMPORTANTES

Cuando use algún aparato eléctrico, algunas precauciones básicas de seguridad siempre deben de tomarse, incluyendo las siguientes:

- LEA TODAS LAS INSTRUCCIONES.
- Asegúrese de que el cordón eléctrico no esté bien firme colocado ya que alguien puede tropezar con él.
- NO MUEVA LA MÁQUINA SOFT SERVE MIENTRAS ESTÁ ENCENDIDA.
- SUPERVISIÓN CERCANA ES NECESARIA CUANDO CUALQUIER APARATO ESTÉ EN USO.
- Desconecte la Máquina Soft Serve del la toma de corriente cuando el aparato no esté en uso y antes de limpiar. NOTA: ASEGÚRESE DE QUE LA MÁQUINA ESTÉ APAGADA EN "0" ANTES DE DESCONECTAR.
- Para protegerse contra una descarga eléctrica, no coloque el cordón, contacto o la cafetera en agua o en otros líquidos.
- Este aparato no debe ser usados por niños sin supervisión. Supervisión cercana es necesaria cuando este u otro aparato es usado cerca de niños.

- No opere este o ningún otro aparato con un cordón eléctrico o enchufe dañado o quemado, o después de que el aparato se ha dejado caer o ha sido dañado de cualquier manera. Regrese el aparato a un Centro de Servicio Autorizado para su reparación o ajuste eléctrico o mecánico.
- El uso de accesorios o aditamentos no recomendados por el fabricante, pueden causar incendios, descargas eléctricas o lesiones.
- No se use en exteriores o con propósitos comerciales. No use este aparato más que para lo que ha sido diseñado.
- No permita que el cordón cuelgue sobre la orilla de la mesa o del mostrador o toque superficies calientes.
- Nunca congele el bote para mezclar en hielo seco u otra forma donde pueda alcanzar temperaturas de -30°F o más bajas ya que esto puede dañar el bote.
- No coloque sobre o cerca de quemadores de estufas de gas o dentro de un horno caliente.
- No coloque ningún objeto sobre o cerca de este aparato en ningún momento.
- Alimentos sólidos, frutas, nueces, dulces o cualquier otro objeto no debe ser insertado en la Máquina Home Soft Serve™ ya que se puede atorar en la válvula para servir el helado o en la barrena mezcladora y bloquear o impedir el flujo de la salida del helado (todos los ingredientes deben ser molidos en una licuadora antes de ser agregados a la máquina).
- No limpie con esponjas de metal o con ningún material abrasivo (Las piezas que se desprendan de la esponja o fibra metálica pueden tocar las partes eléctricas y existe riesgo de descargas eléctricas).
- Use sólo un carrito o pedestal recomendado por el fabricante, o vendido con la Máquina Home Soft Serve™. No coloque la Máquina Home Soft Serve™ en un carrito, pedestal o mesa no adecuado. La Máquina Home Soft Serve™ puede caer, causando lesiones a niños o adultos, y se puede dañar el aparato.

GUARDE ESTAS INSTRUCCIONES

ESTA UNIDAD ES PARA USO DOMÉSTICO SOLAMENTE

Se proporciona un cordón eléctrico corto con objeto de reducir el riesgo de enredarse o tropezarse con un cordón más largo. Es posible utilizar una extensión eléctrica si se toma cuidado al hacerlo. Si utilizará una extensión eléctrica, el grado eléctrico indicado de la misma debe ser, al menos, el mismo grado eléctrico del aparato. El cordón debe colocarse de manera tal que no permanezca sobre alguna cubierta o mesa, desde donde pudiera ser jalado por los niños u ocasionar que alguien se tropiece sin intención.

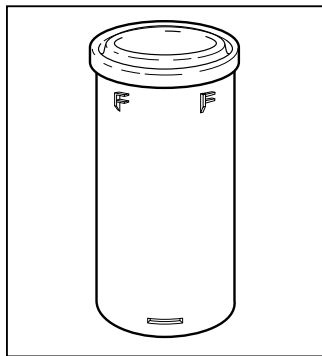
PARA UNIDADES COMPRADAS EN ESTADOS UNIDOS Y CANADÁ ÚNICAMENTE:

Para reducir el riesgo de descarga eléctrica, este aparato cuenta con una clavija polarizada para corriente alterna (una pata es más ancha que la otra). Esta clavija entra sólo de una manera en un enchufe polarizado. Si la clavija no encaja en el enchufe simplemente colóquela al revés. Si aún así no encaja llame a un electricista calificado. No intente modificar esta medida de seguridad.

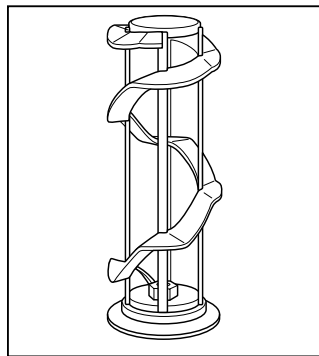
INSTRUCCIONES PARA USAR FÁCILMENTE LA MÁQUINA SOFT SERVE

ANTES DE USAR POR PRIMERA VEZ

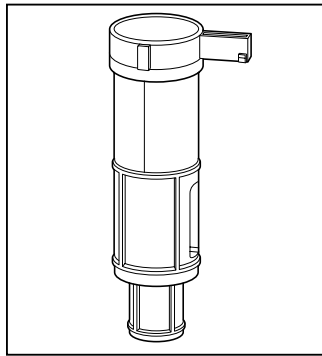
Después de desempacar la unidad, lave el Bote para Mezclar, la Barrena Mezcladora, la Válvula y el Ensamble del Panel Frontal de la Máquina en agua tibia, jabonosa (todas las piezas a excepción del Bote para Mezclar son también lavables en la canasta superior de la lavavajillas) y después seque bien (especialmente el Bote para Mezclar). Después coloque el Bote para Mezclar en su congelador y congele previamente por lo menos 24 horas antes de que lo use; también puede simplemente almacenar el bote en el congelador, así siempre estará listo para preparar helados. ¡Usted puede hacer helados en cono siempre que quiera!



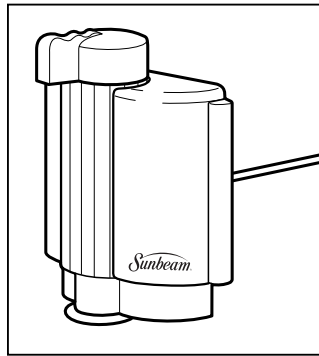
Bote Para Mezclar



Barrena Mezcladora



Válvula



Ensamble del Panel Frontal

CONGELANDO EL BOTE PARA MEZCLAR

El paso más importante en la preparación de helado SOFT SERVE es asegurarse de que el Bote para Mezclar esté correctamente congelado. Es necesario que El Bote para Mezclar esté muy bien congelado. Para mejores resultados, el Bote para Mezclar debe ser colocado en la parte trasera del congelador, donde la temperatura es más baja.

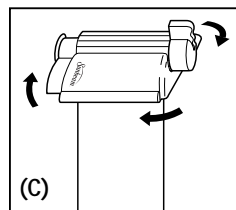
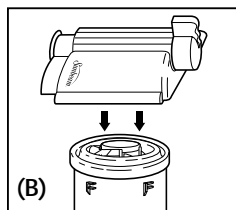
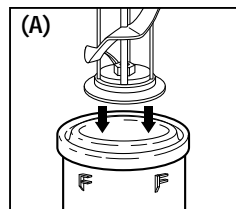
Verifique que el Bote para Mezclar esté bien seco y en la parte posterior del congelador o en el lugar más frío dentro del congelador.

¡INSTRUCCIONES FÁCILES DE SEGUIR PARA HACER HELADO CREMOSO SOFT SERVE EN CASA!

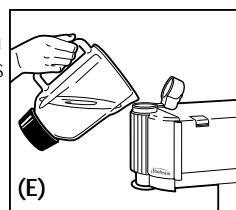
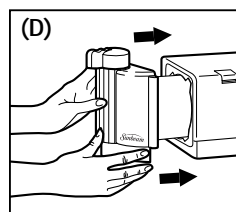
5 FÁCILES PASOS:

IMPORTANTE: Congele previamente el Bote Para Mezclar 24 Horas antes de usar.

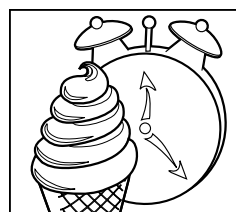
1. Mezcle una bolsa de mezcla preparada con 2-1/2 tazas de agua helada (o use una de las recetas que se incluyen) y mezcle muy bien.
2. Saque el Bote para Mezclar del congelador y coloque en posición vertical sobre el mostrador o mesa de trabajo. Deslice la Barrena Mezcladora blanca de plástico, con la parte firme y sólida de la base hacia abajo, dentro del Bote hasta que quede bien ajustada en el fondo del Bote (A). Coloque el panel frontal arriba del Bote (B), asegurándose de que la barra plateada esté en el centro de la Barrena Mezcladora. Presione hacia arriba mientras gira en sentido de las manecillas del reloj para ajustarlo en su lugar (C).



3. Deslice el ensamble completo dentro de la máquina hasta que se escuche un sonido de "click" y quede en su lugar (D).
4. Gire la perilla azul para servir helado que está en la parte superior de la máquina y colóquela en la posición "LLENAR/FILL" y levante la perilla para mostrar el orificio de "llenar/fill". **IMPORTANTE: Encienda la máquina antes de que vierta la mezcla** (usted puede escuchar un ligero sonido durante la operación de mezclado, esto es normal y simplemente representa que el motor y sus engranes están girando la barrena dentro de la unidad).
5. Vierta los ingredientes en el orificio (E), cierre la tapa y gire la perilla y coloque en la posición "MEZCLAR/MIX". ¡En 20 a 25 minutos, gire la perilla azul para servir a la posición "Servir/Serve" y usted tendrá helado cremoso Soft Serve! No mueva el interruptor de la máquina a la posición de "APAGADO/OFF" hasta que haya terminado de servir todo el contenido de la Máquina para Preparar Helado Cremoso Soft Serve.



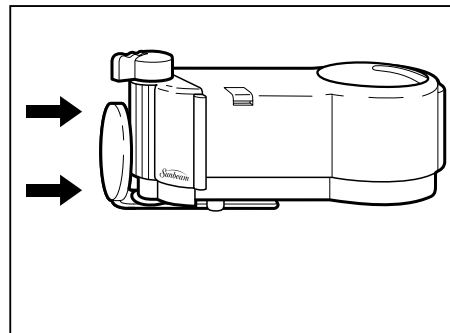
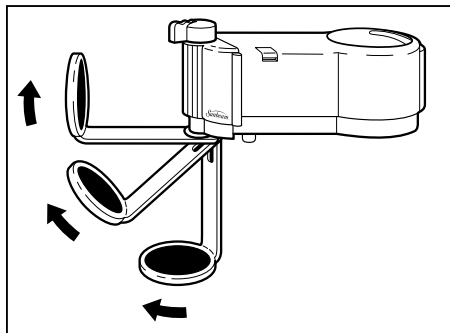
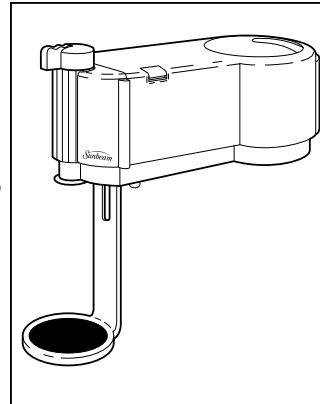
- Cuando haya terminado de servir todo el contenido de la máquina para preparar helado Soft Serve, **APAGUE** la máquina y desconecte (mientras aún está encendida, la máquina mantendrá el helado Soft Serve congelado y listo para servir por aproximadamente 30 minutos después de que el helado ha sido preparado; usted puede almacenar cualquier sobrante de helado Soft Serve en un contenedor y así podrá consumirlo después). Presione la "Cámara de Liberación" azul que está en la parte superior de la máquina para remover el ensamble del Bote para Mezclar. Después gire el Panel Frontal en sentido contrario a las manecillas del reloj para desarmar el Ensamble para Mezclar, gire la perilla azul para servir a la posición "Remover/Remove" y jale hacia arriba para sacar el Ensamble de la Válvula y poder limpiar. (Si en algún momento es difícil sacar la Válvula, puede restablecer una operación suave al aplicar ligeramente aceite de cocina líquido o en rocío). Todas las piezas pueden lavarse en agua tibia, jabonosa (todas las piezas a excepción del Bote para Mezclar son también lavables en la canasta superior de la lavavajillas) Siempre verifique de que el Bote para Mezclar esté bien seco antes de colocarlo en el congelador.



CUIDADO: NUNCA SUMERJA EL CUERPO PRINCIPAL DE LA UNIDAD EN AGUA YA QUE ADENTRO ESTÁN LOCALIZADOS EL MOTOR Y LOS COMPONENTES ELÉCTRICOS; EL AGUA PUEDE DAÑARLOS.

Nota: Para Modelo de Mostrador Únicamente (Modelo 4742)

Si usted tiene un modelo que se coloca sobre el mostrador, asegúrese de que la válvula para servir esté colocada lejos de la orilla del mostrador o de la mesa y que la charola recolectora este colocada como se muestra en la ilustración de abajo. Cuando termine, la charola recolectora puede levantarse y colocarla en posición horizontal y meterla bajo la unidad para almacenarse (como se muestra en la derecha y abajo).



CUIDADO: NUNCA SUMERJA EL CUERPO PRINCIPAL DE LA UNIDAD EN AGUA YA QUE ADENTRO ESTÁN LOCALIZADOS EL MOTOR Y LOS COMPONENTES ELÉCTRICOS; EL AGUA PUEDE DAÑARLOS.

SUGERENCIAS ÚTILES

- Las temperaturas de un congelador a otro congelador son diferentes. Si su congelador está ajustado en un nivel de temperatura media o tibia, el Bote no se congelará. El Bote se congela a una temperatura de 7°F/-13°C. Si el helado está demasiado suave o no ha sido endurecido, revise la temperatura del congelador y ajuste para mantener la temperatura del congelador abajo de los 5°F/-15°C (la temperatura más baja).
- El Bote para Mezclar debe ser congelado previamente en el congelador por lo menos 24 horas antes de usar. Si el Bote se usa con menos de 24 horas de estar congelado, el helado no se congelará.
- La válvula ha sido previamente lubricada durante la fabricación para garantizar una operación suave. Si la válvula se lava en la máquina lavavajillas, puede ponerse muy ajustada. Puede restablecer una operación suave al aplicar ligeramente aceite de cocina líquido o en rocío.
- Hay un pequeño canal circular en la parte trasera del Ensamble del Panel Frontal. El empaque grande y negro debe ser colocado sobre el canal circular. Si el empaque no se encuentra sobre el canal circular, hará difícil el ensamble del Bote Mezclador y el Panel Frontal y causará que el helado se derrame o escurra.
- Verifique que el empaque esté seco antes de ensamblar el Panel Frontal al Bote para Mezclar. Si el empaque está mojado o húmedo se congelará muy rápido y hará difícil el ensamble de la unidad. Además, si es alguna vez difícil el ensamble del Panel Frontal al Bote para Mezclar, puede restablecer una operación suave al aplicar sobre todo el empaque negro una ligera cantidad de aceite de cocina líquido o en rocío.
- Para asegurar que esté bien sellado, la válvula debe insertarse hasta que esté bien colocada sobre el fondo de el Ensamble del Panel Frontal.
- El helado dentro del Bote para Mezclar se espesa con el tiempo. Si la Máquina para Preparar Helado Soft Serve™ es no es atendida por más de 30 a 35 minutos, el helado puede espesarse demasiado y podría detener la máquina atorándola. Si la máquina se atora, no servirá helado.
- Asegúrese de que el Bote para Mezclar esté completamente seco después de lavarlo. Si el Bote está mojado cuando se coloca en el congelador, los engranes que mueven el Bote pueden congelarse y evitar que la Barrena gire dentro de la unidad.
- **MUY IMPORTANTE:** La máquina para preparar helado, debe "APAGARSE" antes de vaciar la mezcla para helado. Si la mezcla para preparar helado se vacía dentro del Bote antes de que la unidad se encienda, se congelará rápidamente, causando que la Barrena no gire.
- Si el bote no cierra cuando es insertado dentro de la unidad, tome el Bote y saque de la unidad, gire un poco el engrane que está en la parte posterior del Bote e inserte de nuevo dentro de la máquina para preparar helados. Al hacer esto se facilitará en ajuste adecuado.
- La barra de metal tiene un ligero doblez. Verifique que el doblez sea orientado hacia la mitad de la Barrena. Si el doblez esta colocado señalando hacia afuera de la Barrena, la barra golpeará la Barrena a medida que ésta gire haciendo un sonido de "click" y cascabeleo.
- Revise que la barra de metal esté sobre el Ensamble del Panel Frontal antes de ensamblar la unidad para preparar helado. Si la barra se deja afuera, la unidad no mezclará y el helado se quedará en el fondo del bote.

¡RECETAS DE HELADO CREMOSO SOFT SERVE PARA PREPARAR FÁCILMENTE EN CASA!

RECETAS PARA PREPARAR HELADO SOFT SERVE

Vainilla

12 oz./360 ml. de Crema Batida
12 oz./360 ml. de Leche Entera

1/2 Taza de Azúcar
1-1/2 Cucharaditas de Extracto de Vainilla

Vierta la crema, leche, el azúcar y el extracto de vainilla en un tazón para mezclar. Revuelva los ingredientes a mano hasta que el azúcar se disuelva. Siga los pasos 1 al 3 en las instrucciones previas, encienda la máquina y vierta la mezcla de ingredientes dentro del orificio "Llenar/Fill" que está en la parte superior de la máquina (observe los pasos del 4 al 5).

Chocolate

12 oz./360 ml. de Crema Batida
3 Cucharadas de Polvo de Cacao
1 Cucharadita de Extracto de Vainilla

3/4 Taza de Azúcar
12 oz./360 ml. de Leche Entera

Vierta la crema, leche, el azúcar, el extracto de vainilla y el polvo de cacao en un tazón para mezclar. Revuelva los ingredientes a mano hasta que el azúcar se disuelva. Siga los pasos 1 al 3 en las instrucciones previas, encienda la máquina y vierta la mezcla de ingredientes dentro del orificio "Llenar/Fill" que está en la parte superior de la máquina (observe los pasos del 4 al 5).

Chocolate Almendrado

12 oz./360 ml. de Crema Batida
3 Cucharadas de Polvo de Cacao
1/2 Cucharadita de Extracto de Almendras

3/4 Taza de Azúcar
12 oz./360 ml. de Leche Entera

Vierta la crema, leche, el azúcar, el extracto de almendras y el polvo de cacao en un tazón para mezclar. Revuelva los ingredientes a mano hasta que el azúcar se disuelva. Siga los pasos 1 al 3 en las instrucciones previas, encienda la máquina y vierta la mezcla de ingredientes dentro del orificio "Llenar/Fill" que está en la parte superior de la máquina (observe los pasos del 4 al 5).

Fresa

8 oz./225 gr. de Fresas Congeladas sin Endulzante (En Puré)
10 oz./300 ml. de Leche Entera
4 oz./120 ml. de Crema Batida
3/4 Taza de Azúcar

En la licuadora, haga puré las fresas. Vierta el puré de fresas, la crema, leche y el azúcar en un tazón para mezclar. Revuelva los ingredientes a mano hasta que el azúcar se disuelva. Siga los pasos 1 al 3 en las instrucciones previas, encienda la máquina y vierta la mezcla de ingredientes dentro del orificio "Llenar/Fill" que está en la parte superior de la máquina (observe los pasos del 4 al 5).

Durazno

8 oz./225 gr. de Duraznos (Melocotón) Congelados sin Endulzante (En Puré)
10 oz./300 ml. de Leche Entera
4 oz./120 ml. de Crema Batida
3/4 Taza de Azúcar

En la licuadora, haga puré los duraznos. Vierta el puré de duraznos, la crema, leche y el azúcar en un tazón para mezclar. Revuelva los ingredientes a mano hasta que el azúcar se disuelva. Siga los pasos 1 al 3 en las instrucciones previas, encienda la máquina y vierta la mezcla de ingredientes dentro del orificio "Llenar/Fill" que está en la parte superior de la máquina (observe los pasos del 4 al 5).

Arándano

8 oz./248 gr. de Arándano Congelados sin Endulzante (En Puré)
10 oz./300 ml. de Leche Entera
4 oz./120 ml. de Crema Batida
3/4 Taza de Azúcar

En la licuadora, haga puré el arándano. Vierta el puré de arándano, la crema, leche y el azúcar en un tazón para mezclar. Revuelva los ingredientes a mano hasta que el azúcar se disuelva. Siga los pasos 1 al 3 en las instrucciones previas, encienda la máquina y vierta la mezcla de ingredientes dentro del orificio "Llenar/Fill" que está en la parte superior de la máquina (observe los pasos del 4 al 5).

Piña

1 Taza de Piña (Ananá) Enlatada sin Endulzante (En Puré)
10 oz./300 ml. de Leche Entera
6 oz./180 ml. de Crema Batida
3/4 Taza de Azúcar

En la licuadora, haga puré la piña. Vierta el puré de piña, la crema, leche y el azúcar en un tazón para mezclar. Revuelva los ingredientes a mano hasta que el azúcar se disuelva. Siga los pasos 1 al 3 en las instrucciones previas, encienda la máquina y vierta la mezcla de ingredientes dentro del orificio "Llenar/Fill" que está en la parte superior de la máquina (observe los pasos del 4 al 5).

Sueño de Durazno

8 oz./240 ml. de Refresco de Durazno
8 oz./240 ml. de Crema Batida
8 oz./240 ml. de Leche Entera
1/2 Taza de Azúcar

Vierta el refresco, la crema, leche y el azúcar en un tazón para mezclar. Revuelva los ingredientes a mano hasta que el azúcar se disuelva. Siga los pasos 1 al 3 en las instrucciones previas, encienda la máquina y vierta la mezcla de ingredientes dentro del orificio "Llenar/Fill" que está en la parte superior de la máquina (observe los pasos del 4 al 5).

Sueño de Fresa

8 oz./240 ml. de Refresco de Fresa
8 oz./240 ml. de Crema Batida
8 oz./240 ml. de Leche Entera
1/2 Taza de Azúcar

Vierta el refresco, la crema, leche y el azúcar en un tazón para mezclar. Revuelva los ingredientes a mano hasta que el azúcar se disuelva. Siga los pasos 1 al 3 en las instrucciones previas, encienda la máquina y vierta la mezcla de ingredientes dentro del orificio "Llenar/Fill" que está en la parte superior de la máquina (observe los pasos del 4 al 5).

Canela - Plátano - Almendra

1 Plátano (Banana) (En Puré)
8 oz./240 ml. de Crema Batida
8 oz./240 ml. de Leche Entera
2/3 Taza de Azúcar
1 Cucharadita de Canela
1 Cucharada de Jugo de Limón
1 Cucharadita de Extracto de Almendras

En la licuadora, haga puré el plátano. Vierta el puré de plátano, la crema, leche, la canela, el jugo de limón y el extracto de almendra en un tazón para mezclar. Revuelva los ingredientes a mano hasta que el azúcar se disuelva. Siga los pasos 1 al 3 en las instrucciones previas, encienda la máquina y vierta la mezcla de ingredientes dentro del orificio "Llenar/Fill" que está en la parte superior de la máquina (observe los pasos del 4 al 5).

Café

2 Cucharada de Café Instantaneo*
10 oz./300 ml. de Crema Batida
10 oz./300 ml. de Leche Entera
3/4 Taza de Azúcar

Vierta el café, la crema, leche y el azúcar en un tazón para mezclar. Revuelva los ingredientes a mano hasta que el azúcar se disuelva. Siga los pasos 1 al 3 en las instrucciones previas, encienda la máquina y vierta la mezcla de ingredientes dentro del orificio "Llenar/Fill" que está en la parte superior de la máquina (observe los pasos del 4 al 5).

* Si el sabor es demasiado fuerte, reduzca a 1-1/2 cucharada de café.

Café Mohcha

1 Cucharada de Café Instantaneo*
10 oz./300 ml. de Crema Batida
10 oz./300 ml. de Leche Entera
3/4 Taza de Azúcar
1 Cucharada de Polvo de Cacao

Vierta el café, la crema, leche, el azúcar y el polvo de cacao en un tazón para mezclar. Revuelva los ingredientes a mano hasta que el azúcar se disuelva. Siga los pasos 1 al 3 en las instrucciones previas, encienda la máquina y vierta la mezcla de ingredientes dentro del orificio "Llenar/Fill" que está en la parte superior de la máquina (observe los pasos del 4 al 5).

Limón

6 oz./180 ml. de Jugo de Lima (Embotellado)
8 oz./240 ml. de Crema Batida
8 oz./240 ml. de Leche Entera
3/4 Taza de Azúcar

Vierta el jugo de limón, la crema, leche y el azúcar en un tazón para mezclar. Revuelva los ingredientes a mano hasta que el azúcar se disuelva. Siga los pasos 1 al 3 en las instrucciones previas, encienda la máquina y vierta la mezcla de ingredientes dentro del orificio "Llenar/Fill" que está en la parte superior de la máquina (observe los pasos del 4 al 5).

RECETAS DE SORBETES

Sorbete de Limón

6 oz./180 ml. de Jugo de Lima Concentrado
2 Cucharadas de Azúcar
18 oz./540 ml. de Leche Entera
2 Gotas de Colorante Comestible Amarillo (Opcional)

Vierta el concentrado congelado, la leche y el azúcar en un tazón para mezclar. Agregue el colorante si así lo desea. Revuelva los ingredientes a mano hasta que el azúcar se disuelva. Siga los pasos 1 al 3 en las instrucciones previas, encienda la máquina y vierta la mezcla de ingredientes dentro del orificio "Llenar/Fill" que está en la parte superior de la máquina (observe los pasos del 4 al 5).

Sorbete de Fresa

6 oz./170 gr. de Fresas Congeladas sin Endulzante (En Puré)
1/2 Taza de Azúcar
16 oz./480 ml. de Leche Entera
2 Cucharadas de Jugo de Limón

En la licuadora, haga puré las fresas. Vierta el puré de fresas, la leche, el azúcar y el jugo de limón en un tazón para mezclar. Revuelva los ingredientes a mano hasta que el azúcar se disuelva. Siga los pasos 1 al 3 en las instrucciones previas, encienda la máquina y vierta la mezcla de ingredientes dentro del orificio "Llenar/Fill" que está en la parte superior de la máquina (observe los pasos del 4 al 5).

Sorbete de Naranja

6 oz./180 ml. de Jugo de Naranja Concentrado y Congelado
2 Cucharadas de Azúcar
18 oz./540 ml. de Leche Entera

Vierta el concentrado congelado, la leche y el azúcar en un tazón para mezclar. Revuelva los ingredientes a mano hasta que el azúcar se disuelva. Siga los pasos 1 al 3 en las instrucciones previas, encienda la máquina y vierta la mezcla de ingredientes dentro del orificio "Llenar/Fill" que está en la parte superior de la máquina (observe los pasos del 4 al 5).

RECETAS DE BEBIDAS

Nieve de Fresa/Arándano

(Congele 15 minutos únicamente)

2 Tazas de Jugo de Fresa/Arándano**

1 2/3 Tazas de Leche Entera

3/4 Taza de Azúcar

Vierta el jugo, la leche y el azúcar en un tazón para mezclar. Agregue el colorante si así lo desea. Revuelva los ingredientes a mano hasta que el azúcar se disuelva. Siga los pasos 1 al 3 en las instrucciones previas, encienda la máquina y vierta la mezcla de ingredientes dentro del orificio "Llenar/Fill" que está en la parte superior de la máquina (observe los pasos del 4 al 5).

****NOTA:** Si usa jugo helado, empiece a revisar la máquina después de 7 minutos de haber iniciado la preparación y sirva cuando la mezcla tenga la consistencia deseada.

Nieve de Arándano/Frambuesa

(Congele 15 minutos únicamente)

2 Tazas de Jugo de Arándano/Frambuesa**

1 2/3 Tazas de Leche Entera

3/4 Taza de Azúcar

Vierta el jugo, la leche y el azúcar en un tazón para mezclar. Agregue el colorante si así lo desea. Revuelva los ingredientes a mano hasta que el azúcar se disuelva. Siga los pasos 1 al 3 en las instrucciones previas, encienda la máquina y vierta la mezcla de ingredientes dentro del orificio "Llenar/Fill" que está en la parte superior de la máquina (observe los pasos del 4 al 5).

****NOTA:** Si usa jugo helado, empiece a revisar la máquina después de 7 minutos de haber iniciado la preparación y sirva cuando la mezcla tenga la consistencia deseada.

RECETAS DE YOGHURT CONGELADO

Yoghurt de Fresa

(Requiere 25 minutos para congelar)

10 oz./280 gr. de Fresas Congeladas sin Endulzante (En Puré)
10 oz./300 ml. de Leche Entera
4 oz./120 ml. de Yoghurt de Vainilla
1/2 Taza de Azúcar

En la licuadora, haga puré las Fresas. Vierta el puré de fresas, la leche, el yoghurt y el azúcar en un tazón para mezclar. Revuelva los ingredientes a mano hasta que el azúcar se disuelva. Siga los pasos 1 al 3 en las instrucciones previas, encienda la máquina y vierta la mezcla de ingredientes dentro del orificio "Llenar/Fill" que está en la parte superior de la máquina (observe los pasos del 4 al 5).

Yoghurt de Frambuesa

(Requiere 25 minutos para congelar)

10 oz./280 gr. de Frambuesas Congeladas sin Endulzante (En Puré)
10 oz./300 ml. de Leche Entera
4 oz./120 ml. de Yoghurt de Vainilla
1/2 Taza de Azúcar

En la licuadora, haga puré las frambuesas. Vierta el puré de frambuesas, la leche, el yoghurt y el azúcar en un tazón para mezclar. Revuelva los ingredientes a mano hasta que el azúcar se disuelva. Siga los pasos 1 al 3 en las instrucciones previas, encienda la máquina y vierta la mezcla de ingredientes dentro del orificio "Llenar/Fill" que está en la parte superior de la máquina (observe los pasos del 4 al 5).

Yoghurt de Naranja

(Requiere 25 minutos para congelar)

4 oz./120 ml. de Jugo de Naranja Congelado y Concentrado
10 oz./300 ml. de Leche Entera
4 oz./120 ml. de Crema Batida
4 oz./120 ml. Yoghurt de Vainilla
1/2 Taza de Azúcar

Vierta el concentrado congelado, la leche, la crema batida, el yoghurt y el azúcar en un tazón para mezclar. Revuelva los ingredientes a mano hasta que el azúcar se disuelva. Siga los pasos 1 al 3 en las instrucciones previas, encienda la máquina y vierta la mezcla de ingredientes dentro del orificio "Llenar/Fill" que está en la parte superior de la máquina (observe los pasos del 4 al 5).

2 AÑOS DE GARANTÍA LIMITADA

Sunbeam Products Inc. garantiza que, por un período de dos años desde la fecha de compra, este producto estará libre de defectos mecánicos y eléctricos en el material y la fabricación. Nuestra obligación está limitada a la reparación o a la reposición, bajo la opinión del fabricante, de éste producto durante el período de la garantía, para productos comprados en Estados Unidos devuélvalo(s) con gastos de envío prepagados directamente a:

SUNBEAM APPLIANCE SERVICE STATION
117 Central Industrial Row
Hattiesburg, MS 39401

Respuestas a sus preguntas respecto a esta garantía o a la localización del centro de servicio autorizado más cercano en Estados Unidos pueden obtenerse llamando gratis al 1-800-597-5978 o al escribir a Sunbeam - Consumer Affairs en P.O. Box 948389, Maitland, Florida 32794-8389.

Para productos comprados en Canadá, por favor llámenos al:

SUNBEAM APPLIANCE SERVICE STATION (KND)
1-800-663-8623 o envíenos un email al
consumeraffairs@consumer.sunbeam.com

Respuestas a sus preguntas respecto a esta garantía o a su locación más cercana en Canadá pueden obtenerse llamando gratis al 1-800-667-8623.

Para información sobre la garantía o la localización de un centro de servicio autorizado fuera de los Estados Unidos y Canada por favor vea la tarjeta de garantía insertada en el empaque del producto.

NO ENVIE ESTE PRODUCTO AL LUGAR DONDE FUE ADQUIRIDO.
AL HACERLO ATRASARA EL PROCESO DE RECLAMO DE SU GARANTIA.

Esta garantía no cubre el desgaste normal de las partes por el uso del producto, ni daños por cualquier mal uso o negligencia, así como el uso de voltajes o corrientes inadecuadas, uso contrario al manual de operaciones, desmantelamiento, reparación o alteraciones hechas por cualquier persona ajena al centro autorizado de servicio. La reparación o reposición del producto es la única solución. Sunbeam Products Inc. no será responsable por daños incidentales o causados por el producto, ni de cualquier garantía implícita o explícita de este producto. Excepto de lo que la ley indica, cualquier garantía de comercialización o ajustada para un propósito en particular a este producto está limitada a la duración de esta garantía. Algunos estados no permiten la exclusión o limitación de daños incidentales o causados por el producto, o permiten la limitación dependiendo de la duración de la garantía implícita, así que las limitaciones o exclusiones arriba mencionadas pueden no aplicarse a usted. Esta garantía le da a usted derechos legales específicos y puede usted tener otros derechos que varían de estado a estado o de provincia a provincia.

PARABÉNS!

Saboreie sorvete cremoso e iogurte congelado em casa com a sua nova máquina de sorvete Home Soft Serve™!

Fizemos todo o possível para criar uma máquina o mais fácil de usar e mais simples possível. Nosso livreto de instruções foi projetado para lhe fornecer informações úteis, sugestões e diversas receitas maravilhosas.

A SUA NOVA MÁQUINA DE SORVETE HOME SOFT SERVE™:

- Rápida, de uso fácil e conveniente!
- Prepara 6 a 8 cones grandes em aproximadamente 20 minutos.
- Use a pré-mistura que vem com a sua máquina ou faça o seu próprio sorvete e iogurte congelado deliciosos usando o livro de receitas que acompanha a máquina e Ingredientes normais de cozinha!
- A limpeza é rápida e fácil: Todas as peças que entram em contato com o sorvete são removíveis e podem ser lavadas em máquina de lavar-louça (somente na cesta superior); no entanto, o copo para mistura deve ser lavado com água morna e detergente – não em máquina de lavar-louça devido ao ciclo quente de secagem).
- A válvula veio lubrificada de fábrica para garantir uma boa operação. Se a válvula ficar apertada, poderá ser feita uma leve aplicação de óleo de cozinha líquido ou de borrifar para que a operação volte ao normal.
- A maioria dos compartimentos de congeladores domésticos conserva a temperatura entre 0°F/-17°C e 10°F/-12°C. É necessário manter a temperatura dentro dessa faixa para garantir um congelamento adequado do Recipiente de Mistura. Pode-se obter uma consistência mais espessa do sorvete reduzindo a temperatura do congelador.

MEDIDAS DE SEGURIDAD IMPORTANTES

Quando usando aparelhos eletrônicos, precauções básicas de segurança devem sempre ser seguidas, incluindo as seguintes:

- LEIA TODAS AS INSTRUÇÕES.
- Certifique-se de que o fio não esteja solto nem apresente possibilidade de alguém tropeçar nele.
- NÃO MOVIMENTE A MÁQUINA DE SORVETE SOFT SERVE ENQUANTO “LIGADA”.
- É NECESSÁRIO SUPERVISÃO CUIDADOSA ENQUANTO O APARELHO ESTIVER EM USO.
- Desligue a Máquina de Sorvete Soft Serve da parede quando a unidade não estiver em uso e antes da limpeza. **OBS.: CERTIFIQUE-SE DE QUE A MÁQUINA DE SORVETE SOFT SERVE ESTEJA DESLIGADA “0” ANTES DE DESCONECTAR.**
- Para proteger contra descarga elétrica não coloque o fio elétrico, a tomada ou o aparelho em água ou outros líquidos.

- Este aparelho não deve ser usado por crianças sem supervisão. Supervisão cuidadosa é sempre necessária quando este ou qualquer outro aparelho estiver em uso por ou perto de crianças.
- Não utilize este ou qualquer outro aparelho com fio ou a tomada danificada ou depois de que o aparelho apresente funcionamento defeituoso ou tenha sido danificado de alguma maneira. Devolva este aparelho a qualquer Centro de Serviço Autorizado para um exame, reparo ou ajuste.
- Não use acessórios que não sejam recomendados pelo fabricante, eles podem causar fogo, descargas elétricas ou acidentes.
- Não use o aparelho ao ar livre ou comercialmente. Não utilize o aparelho para outros fins que não aqueles para os quais foi projetado.
- Não deixe o fio pendurado para fora de mesa ou superfície onde o aparelho estiver sendo utilizado, ou em contato com superfícies quentes.
- Não congele o copo para mistura em gelo seco ou outro meio que possa atingir a temperatura de -30°F ou inferior uma vez que isso pode danificar o copo.
- Não coloque o aparelho perto de gás, do fogão ou dentro do forno quente.
- Nunca coloque nenhum item em cima ou perto desse aparelho.
- Não devem ser colocados alimentos sólidos, frutas, castanhas e nozes, bala ou qualquer outro item sólido na máquina de sorvete Home Soft Serve™. Uma vez que eles podem ficar presos na válvula de distribuição ou no garfo de mistura, bloqueando ou impedindo o fluxo da saída do sorvete (todos os ingredientes devem ser batidos em liquidificador antes de serem adicionados à máquina).
- Não limpe com pó de limpeza, esponjas de aço e outros materiais abrasivos.
- Não coloque a máquina de sorvete Home Soft Serve™ em carrinho, suporte ou mesa instável, pois ela pode cair e ferir crianças ou adultos e danificar a máquina seriamente. Use apenas com o carrinho ou suporte recomendado pelo fabricante ou vendido com a máquina de sorvete Home Soft Serve™.

GUARDE ESTAS INSTRUÇÕES

ESTE APARELHO SOMENTE PARA USO DOMÉSTICO

É fornecido um fio curto para reduzir o risco de um pessoa enrolar-se ou tropeçar sobre um fio longo. Fios de extensão podem ser utilizados com os devidos cuidados. Se for usada uma extensão, a classificação de potência elétrica da extensão deve ser pelo menos igual à classificação elétrica do aparelho. O fio deve ser colocado de modo que não fique pendurado sobre o balcão ou mesa, onde possa ser puxado por crianças ou uma pessoa tropece inadvertidamente.

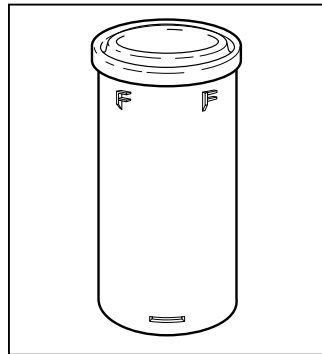
PARA PRODUTOS SOMENTE COMPRADOS NOS ESTADOS UNIDOS E CANADÁ:

Para reduzir o risco de descarga elétrica, este aparelho doméstico contém um plug polarizado (um pino é mais largo que o outro). Este plug caberá em uma tomada polarizada somente em uma posição; se o plug não se encaixar completamente na tomada, gire-o. Se o plug ainda não couber, entre em contato com um electricista. Não tente desativar este recurso de segurança.

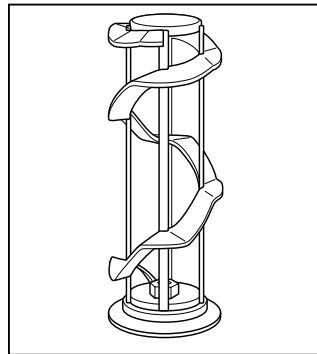
INSTRUÇÕES FÁCEIS PARA USO DA MÁQUINA DE SORVETE SOFT SERVE

ANTES DE USAR PELA PRIMEIRA VEZ

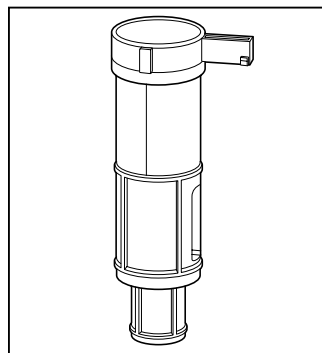
Após desembalar a unidade, lave o Copo de Mistura, o Garfo de Mistura, a válvula e o conjunto do Painel Frontal do equipamento em água morna com detergente (todos, exceto o Copo de Mistura, podem ser colocados na cesta superior da máquina de lavar-louça) e seque-os bem (especialmente o Copo de Mistura). Em seguida, coloque o Copo de Mistura no congelador e pré-congele-o por pelo menos 24 horas antes de usá-lo; você pode também optar por simplesmente guardar o Copo no congelador de forma que ele estará sempre pronto para fazer sorvete! Assim você pode ter sorvete cremoso em casa sempre que desejar!



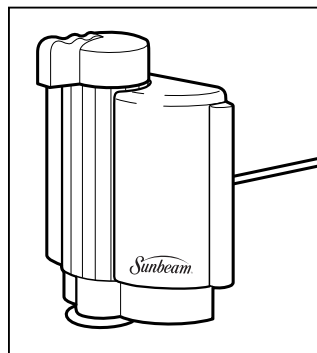
Copo de Mistura



Garfo de Mistura



Válvula



Conjunto do Painel Frontal

CONGELAMENTO DO COPO DE MISTURA

A etapa mais importante ao preparar o SOFT SERVE é verificar se o Copo de Mistura está devidamente congelado. O Copo de Mistura exige um congelamento completo. Para melhores resultados, o Copo de Mistura deve ser colocado na parte de trás do congelador onde a temperatura é mais baixa.

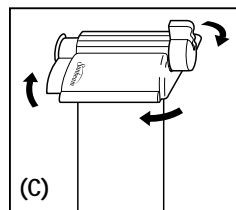
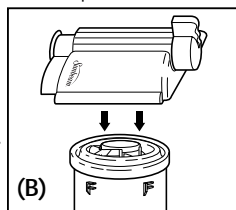
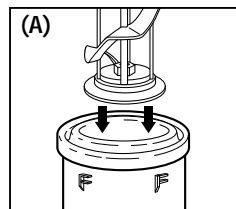
Verifique se o Copo de Mistura está bem seco e coloque-o na parte de trás do congelador ou em local onde esteja mais frio.

INSTRUÇÕES SIMPLES DE USAR PARA FAZER SORVETE CREMOSO EM CASA!!!

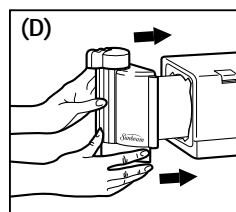
5 ETAPAS SIMPLES:

IMPORTANTE: Congele o Copo de Mistura 24 Horas antes do uso.

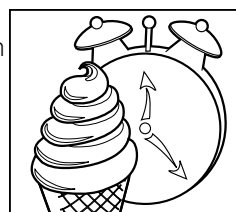
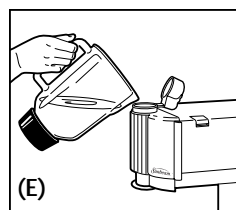
1. Misture um pacote de pré-mistura com 2-1/2 xícaras de água fria (ou use uma das receitas inclusas) e misture bem.
2. Remova o Copo de Mistura do Soft Serve do congelador e coloque-o voltado para cima em cima da pia. Deslize firme e lentamente o Garfo de Mistura de plástico branco, para baixo no Copo até que se encaixe adequadamente na parte inferior do Copo (A). Coloque o Painel Frontal da máquina na parte superior do Copo (B), certificando-se de que a vareta prateada fique no centro do Garfo de Mistura. Faça pressão para baixo, girando-o no sentido horário para travá-lo (C).



3. Deslize o conjunto todo na máquina até que se encaixe no lugar com um clique (D).
4. Gire o botão azul na parte superior da máquina para a posição "Fill" (encher) e levante o botão até que apareça a abertura "Fill".



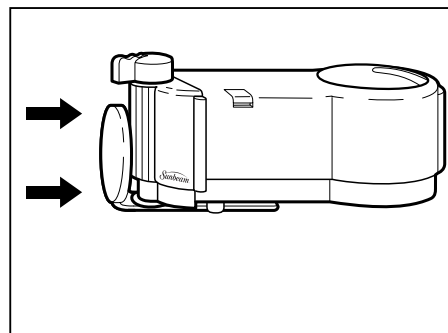
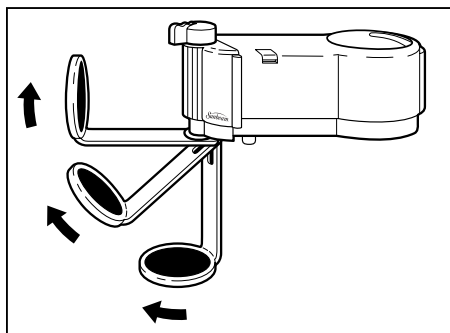
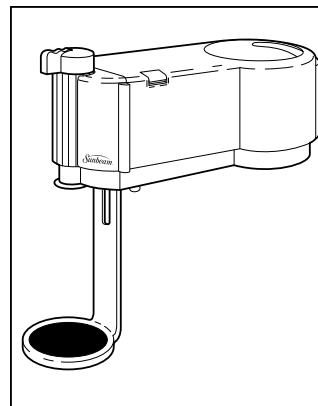
- IMPORTANTE: Ligue a máquina ("ON") antes de despejar a mistura** (você poderá ouvir um leve tom de rotação durante a operação; este tom é normal e simplesmente indica que o motor e a engrenagem estão movimentando a Garfo dentro do aparelho).
5. Despeje os ingredientes pela abertura (E), feche a tampa e gire o botão para a posição "MIX" (Misturar). Em 20 a 25 minutos, gire o botão dispensador azul para "Serve" (servir) e terá o Soft Serve! Não desligue ("OFF") o interruptor de força da máquina antes de terminar de dispensar todo o conteúdo da máquina Soft Serve.
- Quando tiver terminado de dispensar todo o conteúdo da máquina Soft Serve, "DESLIGUE" a máquina e desconecte-a (quando em funcionamento a máquina manterá o Soft Serve congelado e pronto para dispensar por aproximadamente 30 minutos após o sorvete congelar inicialmente; pode-se em seguida guardar o excesso do Soft Serve em um recipiente de armazenagem próprio para freezer para consumo posterior). Aperte o botão azul de "Chamber Release" (liberação da câmara) na parte de cima da máquina para retirar o Copo de Mistura. Em seguida gire o Painel Frontal no sentido anti-horário para desmontar o Conjunto de Mistura; gire o seletor azul de dispensar para a posição "Remove" (remover) e puxe para retirar o Conjunto da Válvula para limpeza. (Se for difícil de girar ou retirar a Válvula, pode-se suavizar a mesma aplicando uma leve quantidade de óleo de cozinha líquido ou em spray. Todas as peças podem ser então lavadas com água quente e sabão (com exceção do Copo de Mistura, as demais peças podem ser lavadas em lava-pratos). Verifique sempre se o Copo está bem seco antes de colocá-lo no congelador.



ATENÇÃO: NÃO IMERSA O CORPO PRINCIPAL DA UNIDADE ONDE ESTÃO LOCALIZADOS O MOTOR E OS COMPONENTES ELÉTRICOS EM ÁGUA; A ÁGUA PODE DANIFICÁ-LOS.

Obs.: Apenas para o modelo de pia (Modelo 4742):

Se você tiver um modelo para ser usado em cima da pia, certifique-se de que a válvula de distribuição esteja posicionada um pouco fora da borda da sua pia ou mesa e que a bandeja coletora esteja presa conforme a ilustração abaixo. Ao terminar, a bandeja coletora pode ser elevada à sua posição horizontal e puxada para baixo da unidade para armazenagem (veja à direita e abaixo)



ATENÇÃO: NÃO IMERSA O CORPO PRINCIPAL DA UNIDADE ONDE ESTÃO LOCALIZADOS O MOTOR E OS COMPONENTES ELÉTRICOS EM ÁGUA; A ÁGUA PODE DANIFICÁ-LOS.

DICAS SOBRE FUNCIONAMENTO

- A temperatura varia de um congelador para outro. Se o congelador estiver regulado para uma temperatura média ou mais alta o Copo não congelará. O Copo congela a -14°C (7°F). Se o sorvete estiver muito mole ou não tiver endurecido, verifique a temperatura do congelador e ajuste a mesma para que fique abaixo de -15°C (5°F) (a temperatura mais fria possível).
- O Copo de Mistura deve ser pré-congelado no congelador por pelo menos 24 horas antes do uso. Se o Copo for utilizado com menos de 24 horas de congelamento, o sorvete poderá não congelar.
- A válvula foi pré-lubrificada durante a fabricação para assegurar um funcionamento suave. Se a válvula for lavada em um lava-pratos, a mesma poderá se tornar rígida. Pode-se recuperar o funcionamento normal com a leve aplicação de óleo de cozinha líquido ou em spray.
- Há uma saliência circular na parte posterior do Conjunto do Painel Frontal. A gaxeta preta e grande deve ser colocada em tal saliência circular. Se a gaxeta não estiver na saliência circular, a mesma tornará difícil de movimentar o Conjunto do Copo de Mistura sobre o Conjunto de Painel Frontal e poderá acarretar o vazamento do sorvete.
- Verifique se a gaxeta está seca antes de montar o Conjunto do Painel Frontal no Copo de Mistura. Se a gaxeta estiver molhada a mesma congelará rapidamente e tornará o conjunto difícil de usar. Além disso, se o conjunto do Painel Frontal sobre o Copo tornar-se difícil de usar, pode-se recuperar o funcionamento suave através de uma ligeira aplicação de óleo de cozinha líquido ou em spray sobre a gaxeta preta.
- A Válvula deve ser introduzida até que se apóie firmemente no fundo do Conjunto do Painel Frontal para assegurar um assentamento adequado.
- O sorvete contido no Copo de Mistura fica mais espesso com o tempo se o aparelho Soft Serve™ for deixado ligado por mais de 30 a 35 minutos, o sorvete pode ficar espesso demais e emperrar o aparelho. Se o aparelho emperrar, o mesmo não dispensará sorvete.
- Verifique se o Copo de Mistura está bem seco após lavá-lo. Se o Copo estiver molhado quando for colocado no congelador, as engrenagens do Copo poderão congelar e impedir que a Garfo gire dentro do aparelho.
- **EXTREMAMENTE IMPORTANTE:** a máquina de sorvete deve ser "LIGADA" (ON) antes de se despejar a mistura do sorvete. Se a mistura de sorvete for despejada no Copo antes que o aparelho seja ligado, o mesmo congelará rapidamente, fazendo com que a Garfo seja impedida de girar.
- Se o cilindro não se encaixar quando for introduzido no aparelho, retire o mesmo e gire a engrenagem na parte posterior do Copo ligeiramente e introduza-o de volta na máquina de sorvete. Isto permitirá um engate adequado.
- A haste metálica possui uma ligeira curvatura. Verifique se a curvatura está voltada para o meio da Garfo. Se a curvatura estiver voltada para a parte de fora da Garfo, a haste entrará em contato com a Garfo à medida que esta gira emite um tom de rateado ou clique.
- Verifique se a haste metálica está no Conjunto de Painel Frontal antes de montar o aparelho para fazer sorvete. Se a haste não for instalada, o aparelho não misturará o sorvete, que se depositará no fundo do Copo.

RECEITAS PARA O SORVETE CREMOSO FÁCIL DE FAZER EM CASA!!! RECEITAS PARA SORVETE SOFT SERVE

Baunilha

12 oz./ 360 ml. de Chantilly
1/2 de Xícara de Açúcar
12 oz./ 360 ml. de Leite Integral
1-1/2 Colher de Chá de Extrato de Baunilha

Despeje creme, leite, açúcar e baunilha na tigela de mistura. Mexa os ingredientes à mão até que o açúcar seja dissolvido. Siga as etapas 1 a 3 contidas nas instruções, "Ligue" (on) a máquina e em seguida despeje os ingredientes misturados na abertura de "Enchimento" (fill) na parte superior do aparelho (ver etapas 4 a 5).

Chocolate

12 oz./ 360 ml. de Chantilly
3/4 de Xícara de Açúcar
3 Colheres de Sobremesa de Chocolate em Pó
12 oz./ 360 ml. de Leite Integral
1 Colher de Chá de Extrato de Baunilha

Despeje creme, leite, açúcar, baunilha e chocolate em pó na tigela de mistura. Mexa os ingredientes à mão até que o açúcar seja dissolvido. Siga as etapas 1 a 3 contidas nas instruções, "Ligue" (on) a máquina e em seguida despeje os ingredientes misturados na abertura de "Enchimento" (fill) na parte superior do aparelho (ver etapas 4 a 5).

Amêndoas com Chocolate

12 oz./ 360 ml. de Chantilly
3/4 de Xícara de Açúcar
3 Colheres de Sobremesa de Chocolate em Pó
12 oz./ 360 ml. de Leite Integral
1 Colher de Chá de Extrato de Amêndoa

Despeje creme, leite, açúcar, extrato de amêndoa e chocolate em pó na tigela de mistura. Mexa os ingredientes à mão até que o açúcar seja dissolvido. Siga as etapas 1 a 3 contidas nas instruções, "Ligue" (on) a máquina e em seguida despeje os ingredientes misturados na abertura de "Enchimento" (fill) na parte superior do aparelho (ver etapas 4 a 5).

Morango

8 oz./225 g de Morangos Congelados não Adoçados (Liquidificados)
10 oz./ 300 ml. de Leite Integral
4 oz./ 120 ml. de Chantilly
3/4 de Xícara de Açúcar

Despeje os morangos liquidificados, creme, leite e açúcar na tigela de mistura. Mexa os ingredientes à mão até que o açúcar seja dissolvido. Siga as etapas 1 a 3 contidas nas instruções, "Ligue" (on) a máquina e em seguida despeje os ingredientes misturados na abertura de "Enchimento" (fill) na parte superior do aparelho (ver etapas 4 a 5).

Pêssego

8 oz./225 g de Pêssegos Congelados não Adoçados (Liquidificados)
10 oz./ 300 ml. de Leite Integral
4 oz./ 120 ml. de Chantilly
3/4 de Xícara de Açúcar

Liquidifique os pêssegos em um liquidificador. Despeje os pêssegos liquidificados, creme, leite e açúcar na tigela de mistura. Mexa os ingredientes à mão até que o açúcar seja dissolvido. Siga as etapas 1 a 3 contidas nas instruções, "Ligue" (on) a máquina e em seguida despeje os ingredientes misturados na abertura de "Enchimento" (fill) na parte superior do aparelho (ver etapas 4 a 5).

Blueberry

8 oz./225 g de Blueberries Congelados e não Adoçados (Liquidificados)
10 oz./300 ml. de Leite Integral
4 oz./120 ml. de Chantilly
3/4 de Xícara de Açúcar

Liquidifique os blueberries em um liquidificador. Despeje os blueberries liquidificados, creme, leite e açúcar na tigela de mistura. Mexa os ingredientes à mão até que o açúcar seja dissolvido. Siga as etapas 1 a 3 contidas nas instruções, "Ligue" (on) a máquina e em seguida despeje os ingredientes misturados na abertura de "Enchimento" (fill) na parte superior do aparelho (ver etapas 4 a 5).

Abacaxi

1 Xícara de Abacaxi Enlatado não Adoçado (Liquidificado)
10 oz./300 ml. de Leite Integral
6 oz./180 ml. de Chantilly
3/4 de Xícara de Açúcar

Liquidifique o abacaxi em um liquidificador. Despeje o abacaxi liquidificado, creme, leite e açúcar na tigela de mistura. Mexa os ingredientes à mão até que o açúcar seja dissolvido. Siga as etapas 1 a 3 contidas nas instruções, "Ligue" (on) a máquina e em seguida despeje os ingredientes misturados na abertura de "Enchimento" (fill) na parte superior do aparelho (ver etapas 4 a 5).

Sonho de Pêssego

8 oz./240 ml. de Refrigerante de Pêssego
8 oz./ 240 ml. de Chantilly
8 oz./ 240 ml. de Leite Integral
1/2 de Xícara de Açúcar

Despeje o refrigerante, creme, leite e açúcar na tigela de mistura. Mexa os ingredientes à mão até que o açúcar seja dissolvido. Siga as etapas 1 a 3 contidas nas instruções, "Ligue" (on) a máquina e em seguida despeje os ingredientes misturados na abertura de "Enchimento" (fill) na parte superior do aparelho (ver etapas 4 a 5).

Sonho de Morango

8 oz./240 ml. de Refrigerante de Morango
8 oz./ 240 ml. de Chantilly
8 oz./ 240 ml. de Leite Integral
1/2 de Xícara de Açúcar

Despeje o refrigerante, creme, leite e açúcar na tigela de mistura. Mexa os ingredientes à mão até que o açúcar seja dissolvido. Siga as etapas 1 a 3 contidas nas instruções, "Ligue" (on) a máquina e em seguida despeje os ingredientes misturados na abertura de "Enchimento" (fill) na parte superior do aparelho (ver etapas 4 a 5).

Banana - Canela - Amêndoa

1 Banana (Liquidificado)
8 oz./ 240 ml. de Chantilly
8 oz./ 240 ml. de Leite Integral
2/3 de Xícara de Açúcar
1 Colher de Chá de Canela
1 Colher de Sobremesa Suco de Limão
1 Colher de Chá de Extrato de Amêndoa

Liquidifique a banana em um liquidificador. Despeje a banana liquidificada, creme, leite, açúcar, canela, suco de limão e extrato de amêndoa na tigela de mistura. Mexa os ingredientes à mão até que o açúcar seja dissolvido. Siga as etapas 1 a 3 contidas nas instruções, "Ligue" (on) a máquina e em seguida despeje os ingredientes misturados na abertura de "Enchimento" (fill) na parte superior do aparelho (ver etapas 4 a 5).

Café

2 Colheres de Sobremesa de Café em Pó Instantâneo*
10 oz./300 ml. de Chantilly
10 oz./300 ml. de Leite Integral
3/4 de Xícara de Açúcar

Despeje café, creme, leite e açúcar na tigela de mistura. Mexa os ingredientes à mão até que o açúcar seja dissolvido. Siga as etapas 1 a 3 contidas nas instruções, "Ligue" (on) a máquina e em seguida despeje os ingredientes misturados na abertura de "Enchimento" (fill) na parte superior do aparelho (ver etapas 4 a 5).

* Caso o café esteja muito forte diminua a quantidade de pó de café para 1 1/2 colheres de sobremesa de café

Café Mocha

1 Colher de Sobremesa de Café em Pó Instantâneo*
10 oz./300 ml. de Chantilly
10 oz./300 ml. de Leite Integral
3/4 de Xícara de Açúcar
3 Colheres de Sobremesa de Chocolate em Pó

Despeje café, creme, leite, chocolate em pó e açúcar na tigela de mistura. Mexa os ingredientes à mão até que o açúcar seja dissolvido. Siga as etapas 1 a 3 contidas nas instruções, "Ligue" (on) a máquina e em seguida despeje os ingredientes misturados na abertura de "Enchimento" (fill) na parte superior do aparelho (ver etapas 4 a 5).

Limão

6 oz./180 ml. de Suco de Limão (Engarrafado)
8 oz./ 240 ml. de Chantilly
8 oz./ 240 ml. de Leite Integral
3/4 de Xícara de Açúcar

Despeje suco de limão, creme, leite e açúcar na tigela de mistura. Mexa os ingredientes à mão até que o açúcar seja dissolvido. Siga as etapas 1 a 3 contidas nas instruções, "Ligue" (on) a máquina e em seguida despeje os ingredientes misturados na abertura de "Enchimento" (fill) na parte superior do aparelho (ver etapas 4 a 5).

RECEITAS DE SORBET

Sorbet de Limão

6 oz./180 ml. de Suco de Limão Concentrado Congelado
2 Colheres de Sobremesa de Açúcar
18 oz./540 ml. de Leite Integral
2 Gotas de Corante Comestível Amarelo

Despeje o suco congelado, leite e açúcar na tigela de mistura. Adicione corante (comestível) se desejar. Mexa os ingredientes à mão até que o açúcar seja dissolvido. Siga as etapas 1 a 3 contidas nas instruções, "Ligue" (on) a máquina e em seguida despeje os ingredientes misturados na abertura de "Enchimento" (fill) na parte superior do aparelho (ver etapas 4 a 5).

Sorbet de Morango

6 oz./170 g de Morangos Congelados não Adoçados (Liquidificados)
1/2 de Xícara de Açúcar
16 oz./480 ml. de Leite Integral
2 Colheres de Sobremesa de Suco de Limão

Despeje os morangos liquidificados, creme, leite e açúcar na tigela de mistura. Mexa os ingredientes à mão até que o açúcar seja dissolvido. Siga as etapas 1 a 3 contidas nas instruções, "Ligue" (on) a máquina e em seguida despeje os ingredientes misturados na abertura de "Enchimento" (fill) na parte superior do aparelho (ver etapas 4 a 5).

Sorbet de Laranja

6 oz./180 ml. de Jugo de Naranja Concentrado y Congelado
2 Colheres de Sobremesa de Açúcar
18 oz./540 ml. de Leite Integral

Despeje o suco concentrado, leite e açúcar em um tigela de mistura. Adicione corante (comestível) se desejar. Mexa os ingredientes à mão até que o açúcar seja dissolvido. Siga as etapas 1 a 3 contidas nas instruções, "Ligue" (on) a máquina e em seguida despeje os ingredientes misturados na abertura de "Enchimento" (fill) na parte superior do aparelho (ver etapas 4 a 5).

RECEITA PARA BEBIDAS

Suco Congelado Morango ou Cranberry

(Congele por somente 15 minutos)

2 Xícaras de Suco de Morango ou Cranberry**
1 2/3 de Xícaras de Leite Integral
3/4 de Xícara de Açúcar

Despeje o suco, leite e açúcar na tigela de mistura. Mexa os ingredientes à mão até que o açúcar seja dissolvido. Siga as etapas 1 a 3 contidas nas instruções, "Ligue" (on) a máquina e em seguida despeje os ingredientes misturados na abertura de "Enchimento" (fill) na parte superior do aparelho (ver etapas 4 a 5).

****OBSERVAÇÃO:** Se estiver usando suco congelado, comece a verificar a máquina depois de 7 minutos e dispense quando a mistura tiver atingido a consistência desejada.

Suco Congelado Cranberry ou Framboesa

(Congele por somente 15 minutos)

2 Xícaras de Suco de Cranberry ou Framboesa**
1 2/3 de Xícaras de Leite Integral
3/4 de Xícara de Açúcar

Despeje o suco, leite e açúcar na tigela de mistura. Mexa os ingredientes à mão até que o açúcar seja dissolvido. Siga as etapas 1 a 3 contidas nas instruções, "Ligue" (on) a máquina e em seguida despeje os ingredientes misturados na abertura de "Enchimento" (fill) na parte superior do aparelho (ver etapas 4 a 5).

****OBSERVAÇÃO:** Se estiver usando suco congelado, comece a verificar a máquina depois de 7 minutos e dispense quando a mistura tiver atingido a consistência desejada.

RECEITAS DE IOGURTE CONGELADO

Iogurte de Morango

(Requer 25 minutos de congelamento)

10 oz./280 g de Morangos Congelados não Adoçados (Liquidificados)
10 oz./300 ml. de Leite Integral
4 oz./120 ml. de Iogurte de Baunilha
1/2 de Xícara de Açúcar

Liquidifique os morangos em um liquidificador. Despeje os morangos liquidificados, leite, iogurte e açúcar na tigela de mistura. Mexa os ingredientes à mão até que o açúcar seja dissolvido. Siga as etapas 1 a 3 contidas nas instruções, "Ligue" (on) a máquina e em seguida despeje os ingredientes misturados na abertura de "Enchimento" (fill) na parte superior do aparelho (ver etapas 4 a 5).

Iogurte de Framboesa

(Requer 25 minutos de congelamento)

10 oz./280 g de Framboesa Congelada, não Adoçada (Liquidificada)
10 oz./300 ml. de Leite Integral
4 oz./120 ml. de Iogurte de Baunilha
1/2 de Xícara de Açúcar

Liquidifique as framboesas em um liquidificador. Despeje as framboesas liquidificadas, leite, iogurte e açúcar na tigela de mistura. Mexa os ingredientes à mão até que o açúcar seja dissolvido. Siga as etapas 1 a 3 contidas nas instruções, "Ligue" (on) a máquina e em seguida despeje os ingredientes misturados na abertura de "Enchimento" (fill) na parte superior do aparelho (ver etapas 4 a 5).

Iogurte de Laranja

(Requer 25 minutos de congelamento)

4 oz./120 ml. de Suco de Laranja Concentrado Congelado
10 oz./300 ml. de Leite Integral
4 oz./120 ml. de Chantilly
4 oz./120 ml. de Iogurte de Baunilha
1/2 de Xícara de Açúcar

Despeje o suco congelado, leite, chantilly, iogurte e açúcar na tigela de mistura. Mexa os ingredientes à mão até que o açúcar seja dissolvido. Siga as etapas 1 a 3 contidas nas instruções, "Ligue" (on) a máquina e em seguida despeje os ingredientes misturados na abertura de "Enchimento" (fill) na parte superior do aparelho (ver etapas 4 a 5).

GARANTÍA LIMITADA DE 2 AÑOS

A Sunbeam Products Inc. ofrece garantía por un período de dos años de que este producto no deva apresentar defeitos mecánicos e eléctricos devidos a seus materiais e à sua manufatura. Nossa obrigação em virtude disso é limitada ao conserto ou à substituição deste produto, conforme a escolha do fabricante, durante o período de garantia, desde que o(s) produto(s) adquiridos nos Estados Unidos seja(m) enviados com tarifa postal previamente paga diretamente para:

SUNBEAM APPLIANCE SERVICE STATION

117 Central Industrial Row

Purvis, MS 39475

Consultas referentes a esta garantía ou à localização do centro de assistência e serviços mais próximo dentro dos Estados Unidos poderão ser feitas pelo telefone no número gratuito 1-800-597-5978 ou pelo correio, escrevendo para Sunbeam – Consumer Affairs en P.O. Box 948389, Maitland, Florida 32794-8389.

Os produtos comprados no Canadá por chamado de favor:

SUNBEAM APPLIANCE SERVICE STATION (KND)

1-800-663-8623 ou email nos

consumeraffairs@consumer.sunbeam.com

Consultas referentes a esta garantía ou localização do centro de assistência e serviços mais próximo dentro do Canadá poderão ser feitas pelo telefone no número gratuito 1-800-667-8623. (Somente dentro do Canadá).

Para obter informações sobre a garantía ou sobre a localização de serviços de assistência técnica fora dos Estados Unidos e Canadá, consulte o cartão de serviços de garantía encontrado dentro da embalagem deste produto.

NÃO DEVOLVA ESTE PRODUTO AO LOCAL DA COMPRA DO MESMO.

ISTO PODERÁ ATRASAR O PROCESSAMENTO DO SEU PEDIDO DE GARANTIA.

Esta garantía não cubre o desgaste normal das peças ou os danos resultantes de qualquer uma das seguintes situações: uso negligente ou indevido do produto, uso deste sob tensão ou corrente incorretas, uso deste de forma não recomendada pelas instruções de operação ou ainda desmonte, conserto ou alteração do mesmo por qualquer pessoa além dos técnicos do centro autorizado de serviços. O conserto ou substituição do produto conforme ditado pela garantía expressa ou implícita sobre este produto. À exceção do âmbito proibido pelas leis aplicáveis, qualquer garantía implícita da aplicabilidade para o uso a que se destina ou da adequação do produto para um fim em particular é limitada em sua duração ao prazo da garantía acima. Alguns estados e províncias não permitem a exclusão ao limitação de danos incidentais ou resultantes de um ato, ou permitem a limitação da duração de uma garantía implícita, de modo que as limitações ou exclusões acima talvez não sejam aplicáveis ao seu caso. Esta garantía lhe confere direitos legais específicos, mas você poderá gozar também de direitos adicionais que variam de estado para estado e de província para província.

NOTES/NOTAS

NOTES/NOTAS



©1997 Sunbeam Corporation or its affiliated companies. All rights reserved.
Sunbeam® and Home Soft Serve™ are trademarks of Sunbeam Corporation or its affiliated companies.
Distributed by Sunbeam Products Inc., Delray Beach, Florida 33445.

©1997 Sunbeam Corporation ou ses sociétés apparentées. Tous droits réservés.
Sunbeam® et Home Soft Serve™ sont marques de commerce de Sunbeam Corporation ou de ses sociétés affiliées.
Distribué par Sunbeam Products Inc., Delray Beach, Florida 33445.

©1997 Sunbeam Corporation o sus corporaciones afiliadas. Todos los derechos reservados.
Sunbeam® y Home Soft Serve™ son marcas comerciales de Sunbeam Corporation o de sus compañías afiliadas.
Distribuido por Sunbeam Products Inc., Delray Beach, Florida 33445.

©1997 Sunbeam Corporation ou suas empresas afiliadas. Todos os direitos reservados.
Sunbeam® e Home Soft Serve™ são marcas comerciais de Sunbeam Corporation ou de suas coligadas.
Distribuído pela Sunbeam Products Inc., Delray Beach, Florida 33445.

P.N.69321-73

Free Manuals Download Website

<http://myh66.com>

<http://usermanuals.us>

<http://www.somanuals.com>

<http://www.4manuals.cc>

<http://www.manual-lib.com>

<http://www.404manual.com>

<http://www.luxmanual.com>

<http://aubethermostatmanual.com>

Golf course search by state

<http://golfingnear.com>

Email search by domain

<http://emailbydomain.com>

Auto manuals search

<http://auto.somanuals.com>

TV manuals search

<http://tv.somanuals.com>